

REVISIONS				
REV.	ECN/E-R	DESCRIPTION	DATE	APPROVED
A		PROPOSAL	MAR26/09	
B		UPDATED	JUL14/09	
C		B-B APPLICATION SPECIFIED	AUG14/09	

MATERIAL:

CAGE:
COPPER ALLOY

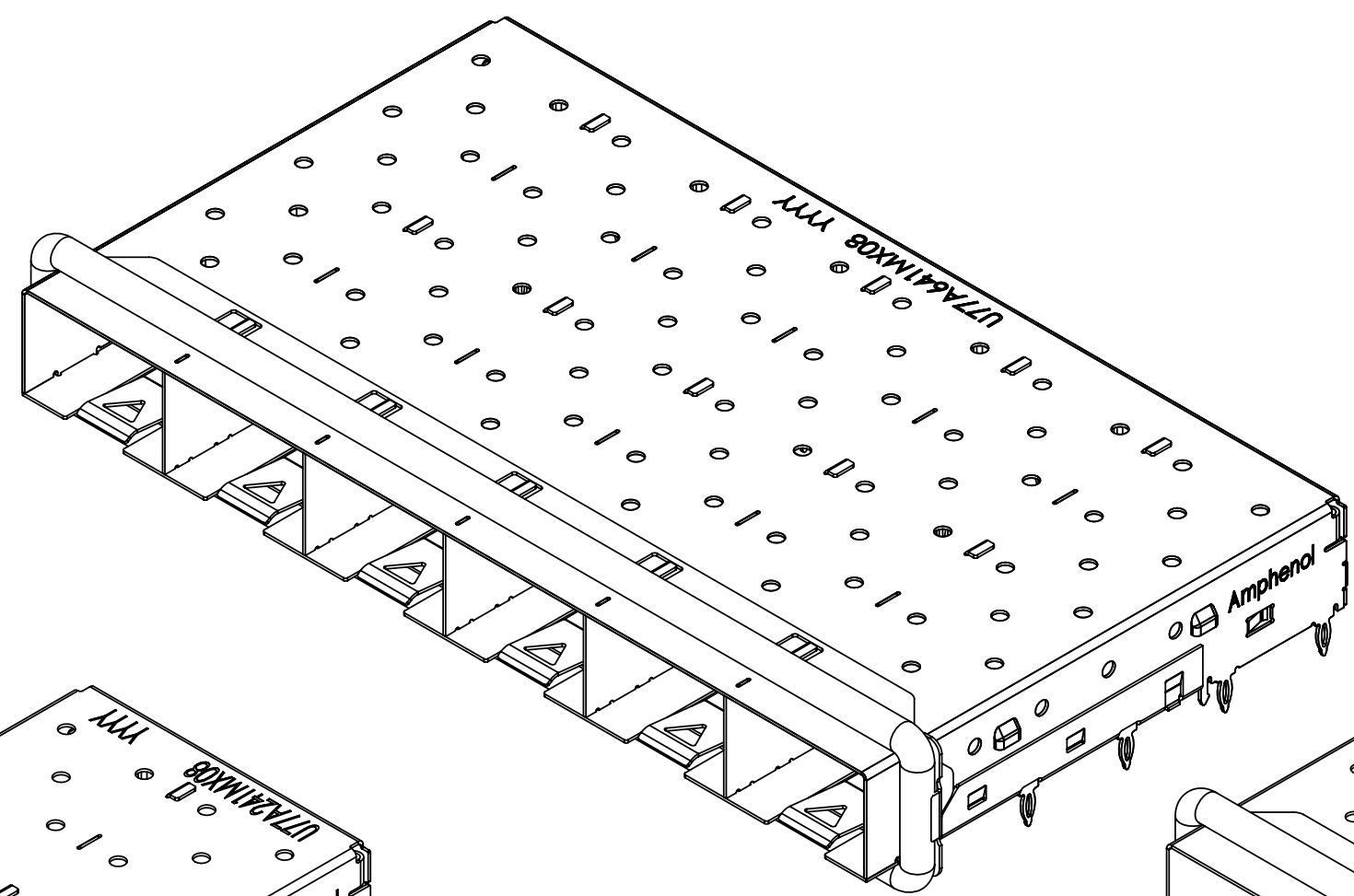
PLATING OPTION X=2:
2.54um MIN. NICKEL

PLATING OPTION X=3:
3.81um MIN. MATTE TIN
OVER 1.27um MIN. NICKEL.

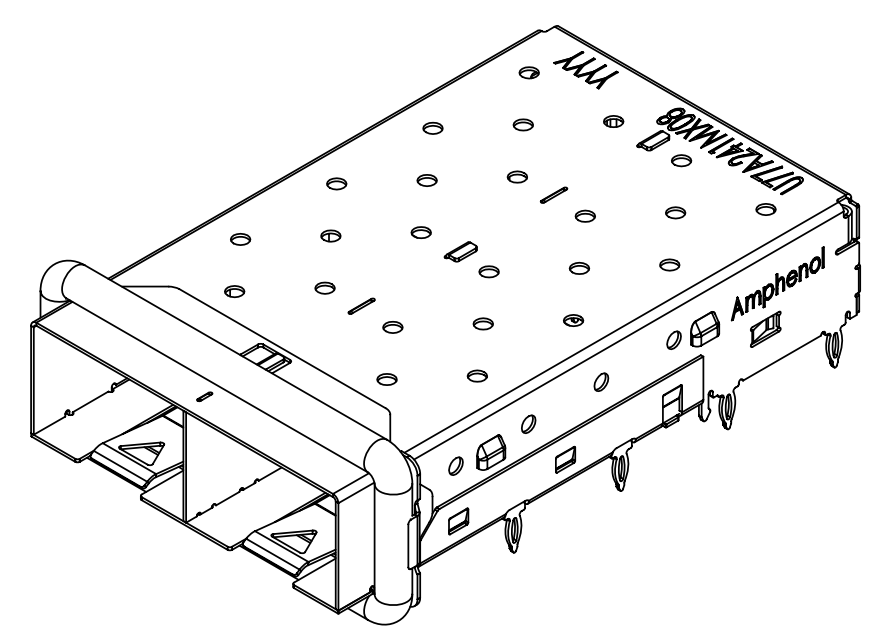
GASKET:
CONDUCTIVE ELASTOMER
FLAMMABILITY RATING
UL94-V0

PACKAGING:
TRAY PACKAGING

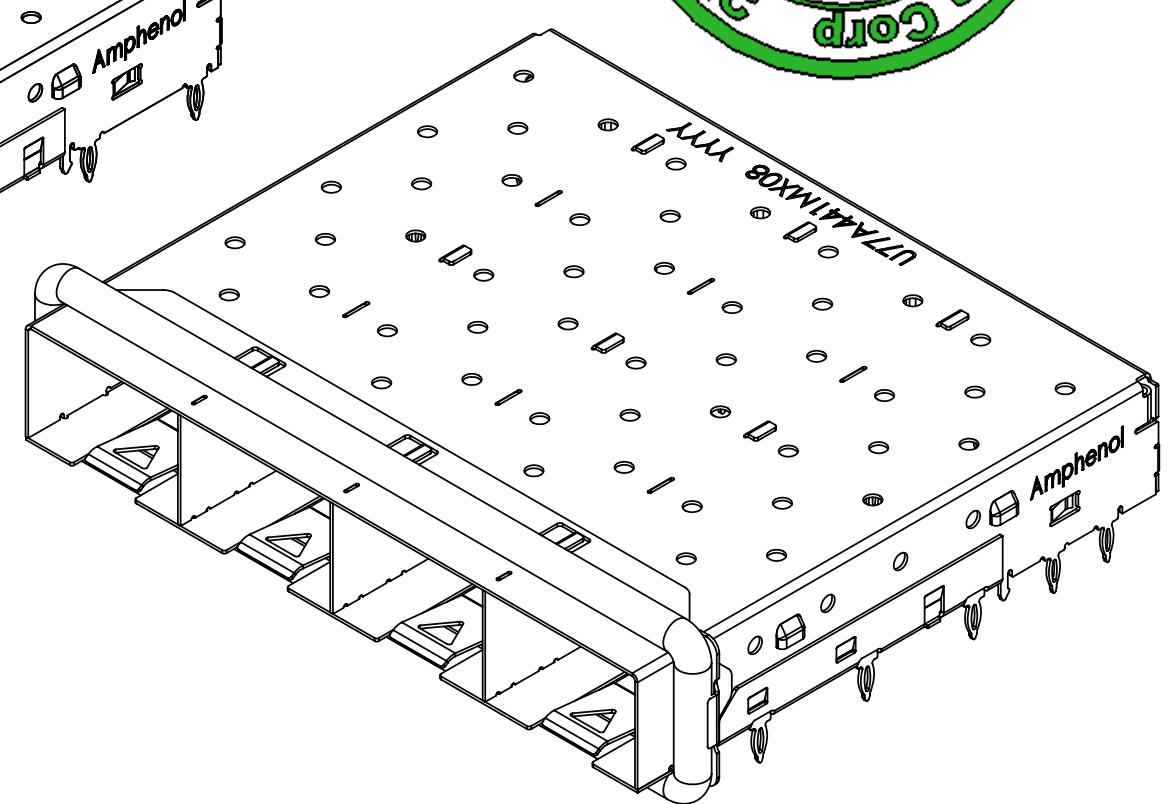
TEMPERATURE RANGE:
-40C TO +85C



P/N: U77-A641M-X081 SHOWN



P/N: U77-A241M-X081 SHOWN



P/N: U77-A441M-X081 SHOWN

AMPHENOL PART NUMBER CONFIGURATION

U77 - A X 4 1 M - X 0 8 1

- PACKAGING
1 = TRAY PACKAGING
- PLATING
2 = NICKEL PLATING
3 = MATTE TIN PLATING
- NUMBER OF PORTS
2 = 2 PORTS
4 = 4 PORTS
6 = 6 PORTS

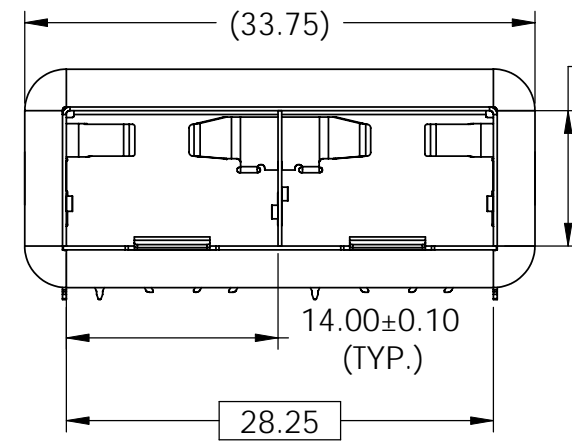
NOTE:
PRODUCT COMPLIES WITH SFF 8433 SPEC.

DO NOT SCALE DRAWING

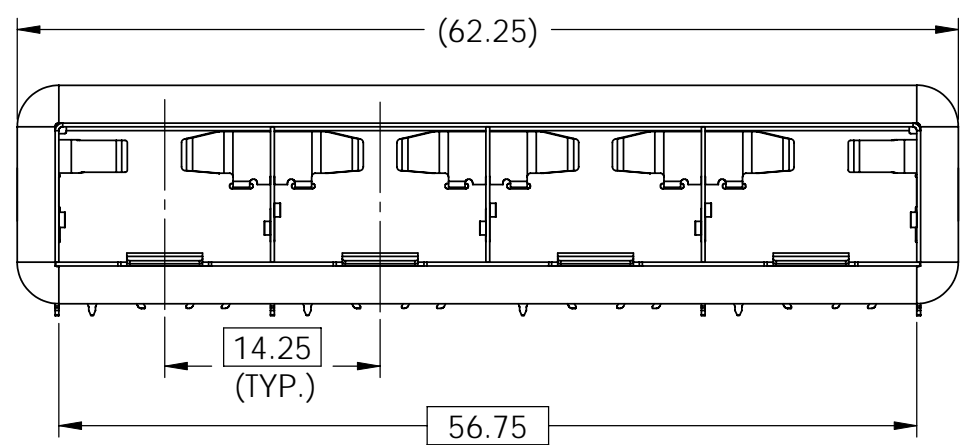
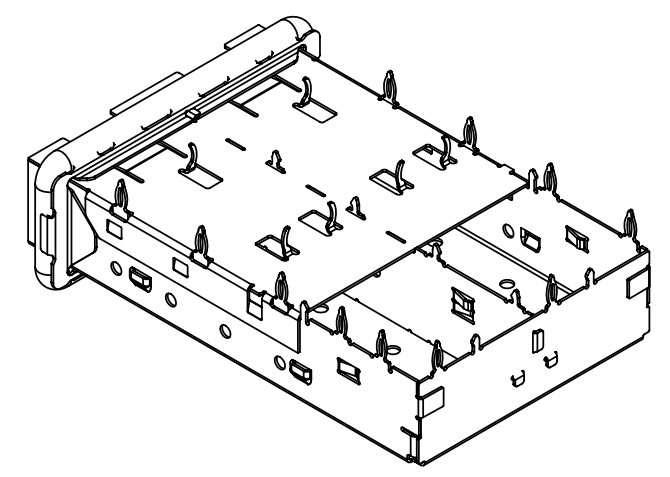
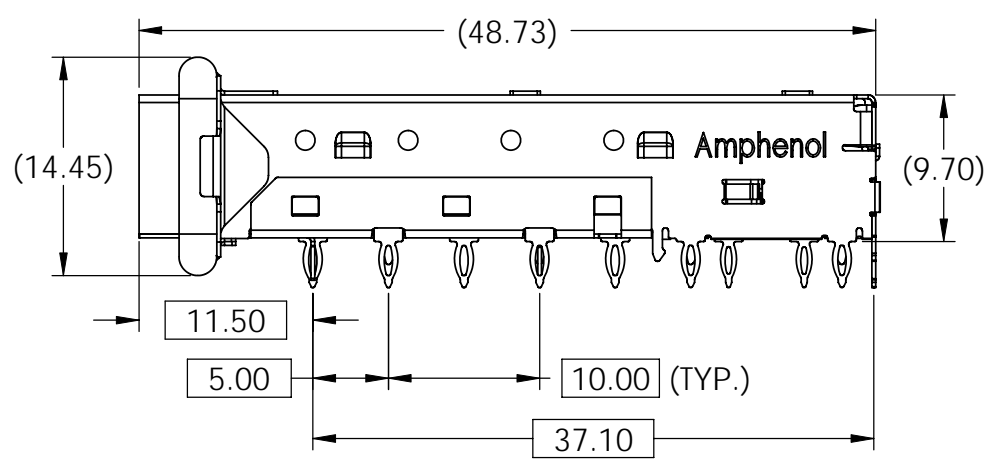
THIS DOCUMENT CONTAINS PROPRIETARY INFORMATION AND SUCH INFORMATION MAY NOT BE DISCLOSED TO OTHERS FOR ANY PURPOSE OR USED FOR MANUFACTURING PURPOSES WITHOUT PERMISSION FROM AMPHENOL CANADA CORP.

UNLESS OTHERWISE SPECIFIED DIMENSIONS ARE IN MILLIMETERS TOLERANCES ARE:		APPROVALS		DATE	Amphenol Canada Corp.	
DECIMALS X.X ± 0.38 X.XX ± 0.25	ANGLES ± 1°	DRAWN ChigowX	DESIGNED	MAR04/09	TITLE	
MATERIAL AND FINISH SEE NOTE 1		CHECKED J.SI	QA APPD	MAR26/09	1XN SFP+ CAGE ASSEMBLY WITH ELASTOMERIC GASKET	
REF.	IE APPD	DWG APPD A.G.	SCALE 2:1	PROJECT	SIZE A3	DWG. NO P-U77-AX41M-X081
CODE IDENT. NO 03554					REV. C	SHEET 1 OF 10

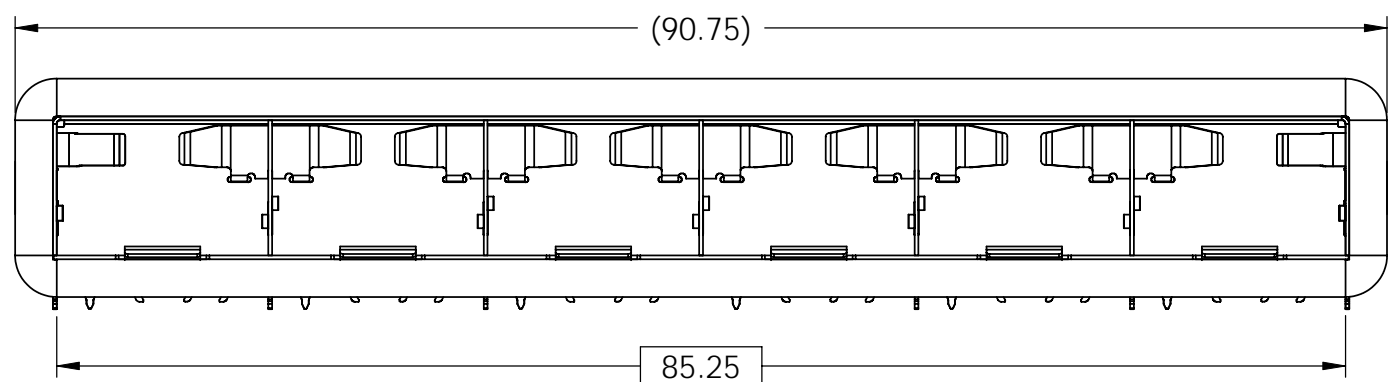
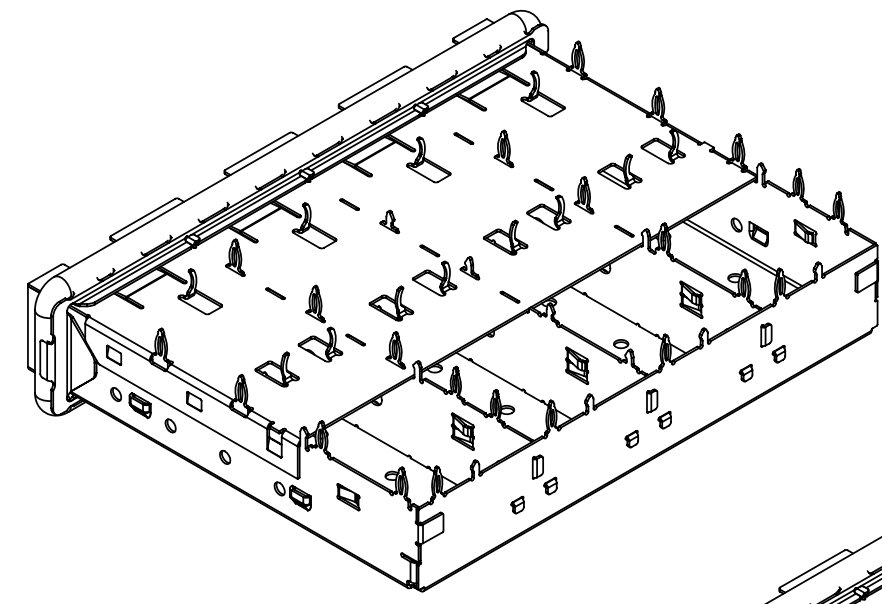
REVISIONS				
REV.	ECN/E-R	DESCRIPTION	DATE	APPROVED
A		PROPOSAL	MAR26/09	
B		UPDATED	JUL14/09	
C		B-B APPLICATION SPECIFIED	AUG14/09	



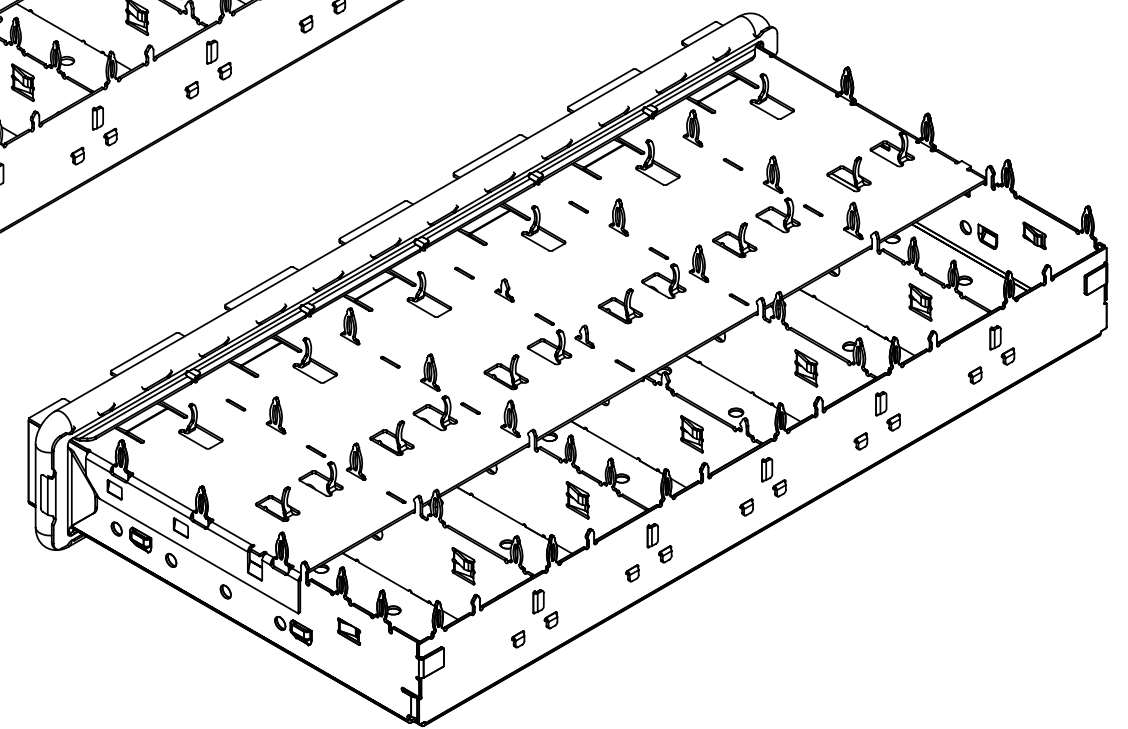
U77-A241M-X081



U77-A441M-X081



U77-A641M-X081



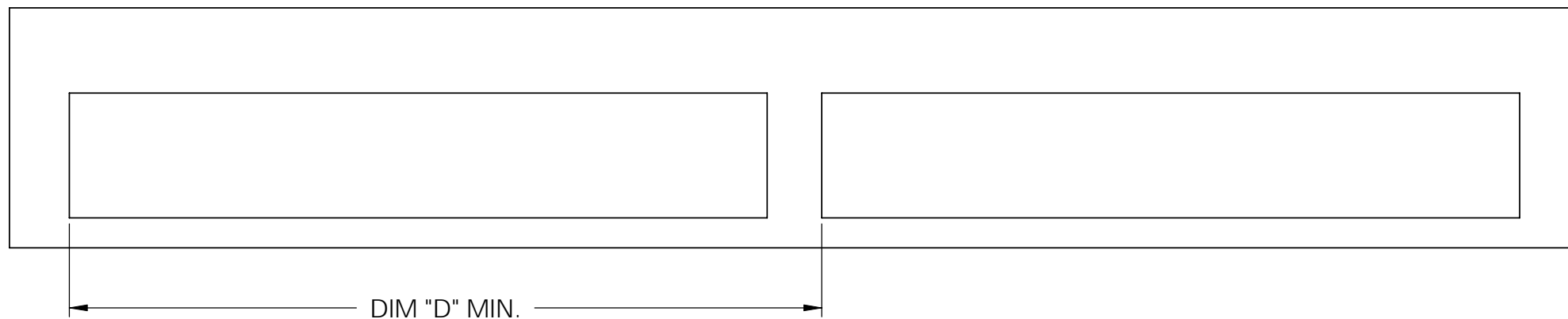
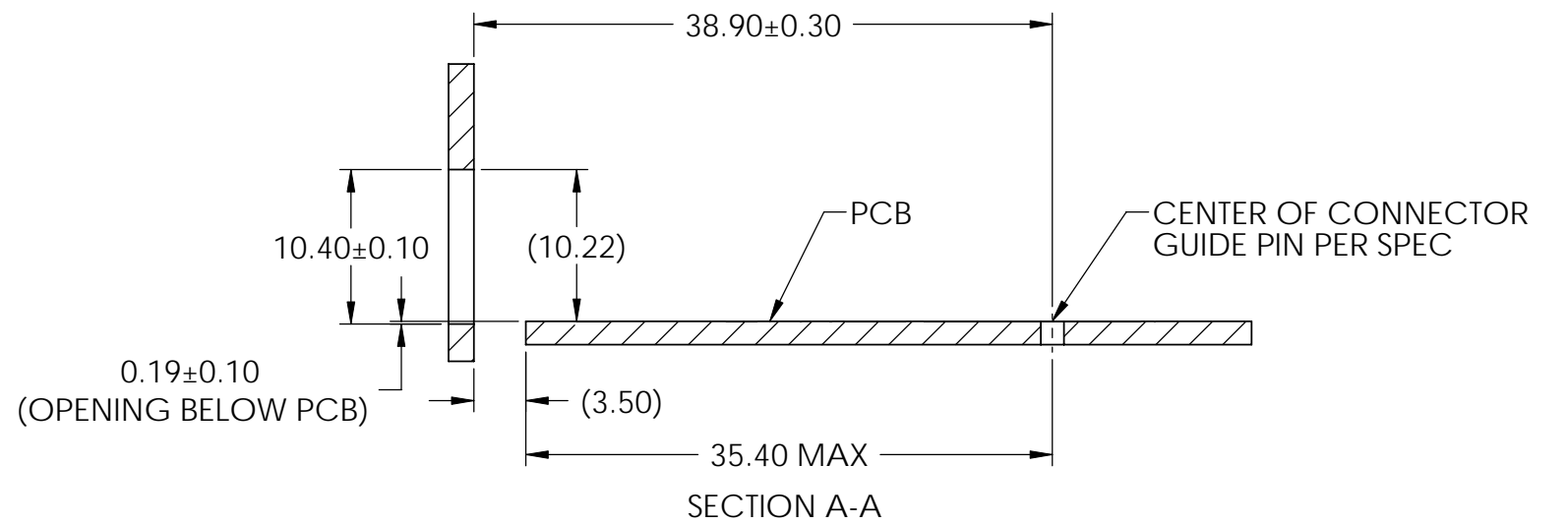
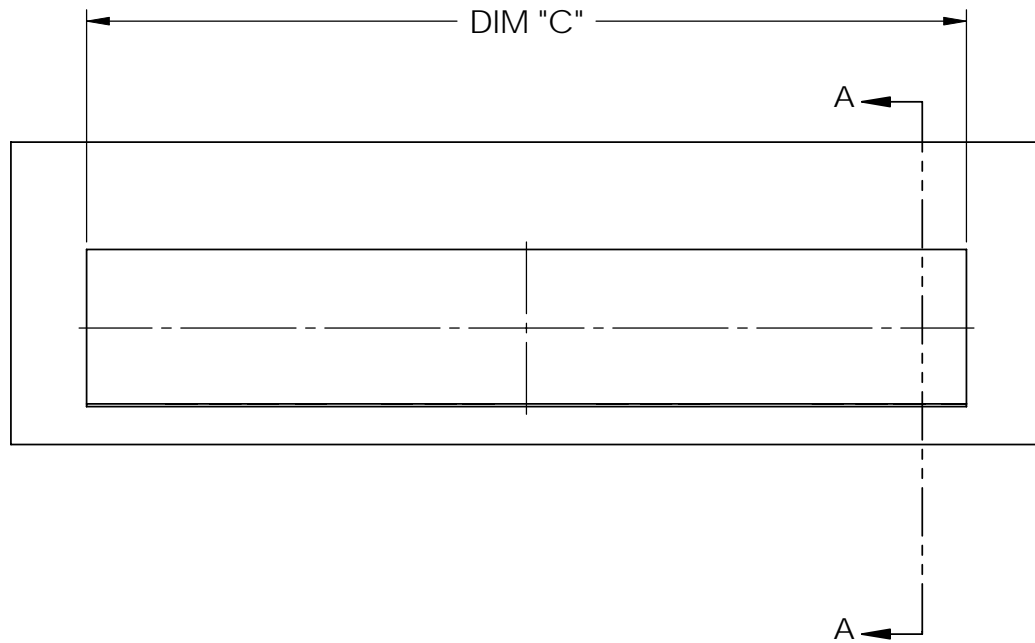
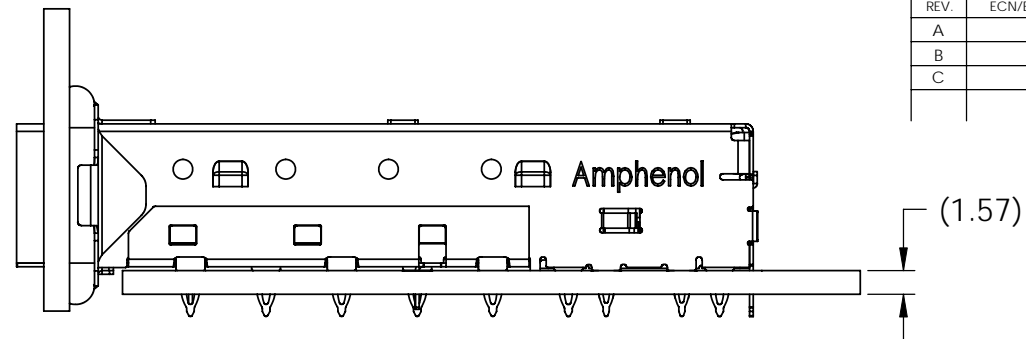
DO NOT SCALE DRAWING

THIS DOCUMENT CONTAINS PROPRIETARY INFORMATION AND SUCH INFORMATION MAY NOT BE DISCLOSED TO OTHERS FOR ANY PURPOSE OR USED FOR MANUFACTURING PURPOSES WITHOUT PERMISSION FROM AMPHENOL CANADA CORP.

UNLESS OTHERWISE SPECIFIED DIMENSIONS ARE IN MILLIMETERS TOLERANCES ARE:		APPROVALS		DATE		Amphenol Canada Corp.				
DECIMALS X.X ± 0.38 X.XX ± 0.25	ANGLES ± 1°	DRAWN ChigowX	DESIGNED	MAR04/09		TITLE				
MATERIAL AND FINISH SEE NOTE 1		CHECKED J.SI	QA APPD	MAR26/09		1XN SFP+ CAGE ASSEMBLY WITH ELASTOMERIC GASKET				
REF.		IE APPD				SIZE A3	DWG. NO. P-U77-AX41M-X081	REV. C		
CODE IDENT. NO. 03554		DWG APPD A.G.		MAR26/09	SCALE 2:1	PROJECT		SHEET 2 OF 10		

PART NUMBER	DIM "C"	DIM "D"
U77-A241M-X091	29.70	34.25
U77-A441M-X091	58.20	62.75
U77-A641M-X091	86.70	91.25

REVISIONS				
REV.	ECN/E-R	DESCRIPTION	DATE	APPROVED
A		PROPOSAL	MAR26/09	
B		UPDATED	JUL14/09	
C		B-B APPLICATION SPECIFIED	AUG14/09	

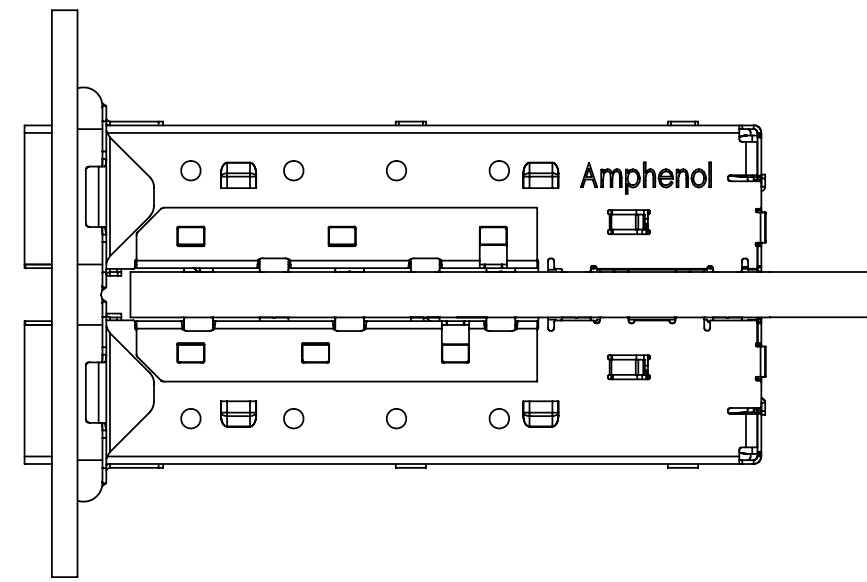


UNLESS OTHERWISE SPECIFIED DIMENSIONS ARE IN MILLIMETERS TOLERANCES ARE:		APPROVALS		DATE	Amphenol Canada Corp.	
DECIMALS X.X ± 0.38 X.XX ± 0.25	ANGLES ± 1°	DRAWN ChigowX	DESIGNED	MAR04/09		
MATERIAL AND FINISH SEE NOTE 1		CHECKED J.SI	QA APPD	MAR26/09	1XN SFP+ CAGE ASSEMBLY WITH ELASTOMERIC GASKET	
REF.		IE APPD				
CODE IDENT. NO.	03554	DWG APPD A.G.		MAR26/09	SIZE A3	DWG. NO. P-U77-AX41M-X081
				SCALE 2:1	PROJECT	REV. C
					SHEET 3 OF 10	

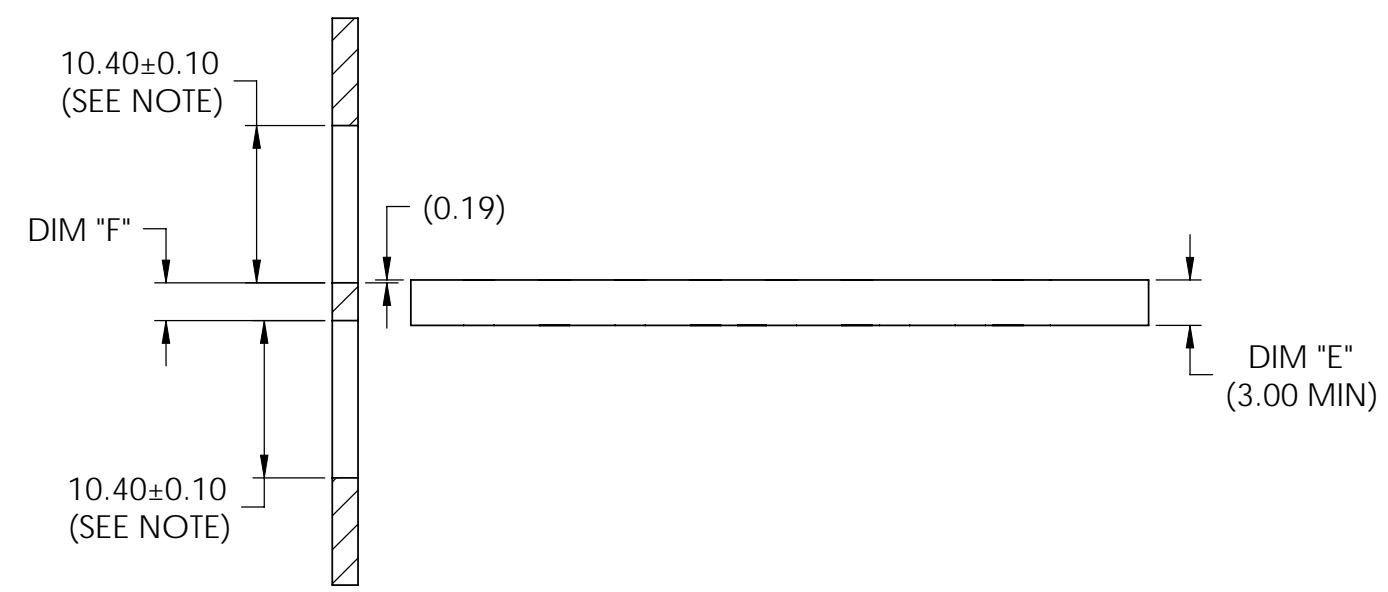
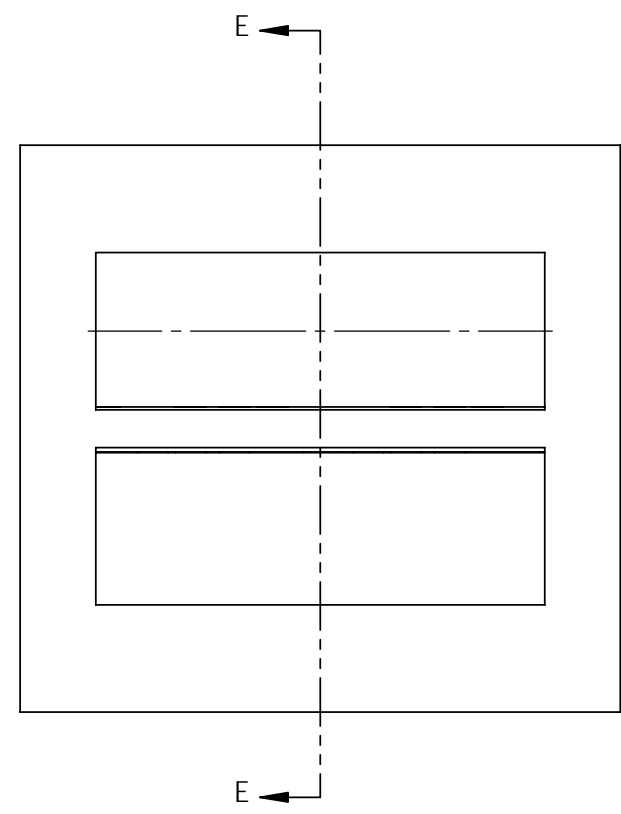
DO NOT SCALE DRAWING

THIS DOCUMENT CONTAINS PROPRIETARY INFORMATION AND SUCH INFORMATION MAY NOT BE DISCLOSED TO OTHERS FOR ANY PURPOSE OR USED FOR MANUFACTURING PURPOSES WITHOUT PERMISSION FROM AMPHENOL CANADA CORP.

REVISIONS				
REV.	ECN/E-R	DESCRIPTION	DATE	APPROVED
A		PROPOSAL	MAR26/09	
B		UPDATED	JUL14/09	
C		B-B APPLICATION SPECIFIED	AUG14/09	



NOTE:
 PANEL CUTOUT SIZES PER SFF 8433 SPEC. FOR BELLY TO BELLY MOUNTING, DIM "E" (PCB THICKNESS) IS 3.0 mm MIN. DIM "F" RELATED TO DIM "E". FOR DIM "F" = DIM "E" - 0.44 mm. THE PANEL CUTOUT 10.40 mm MIGHT BE INCREASED UP TO 10.80 mm IN ORDER TO ACCOMMODATE PCB TOLERANCE.



SECTION E-E

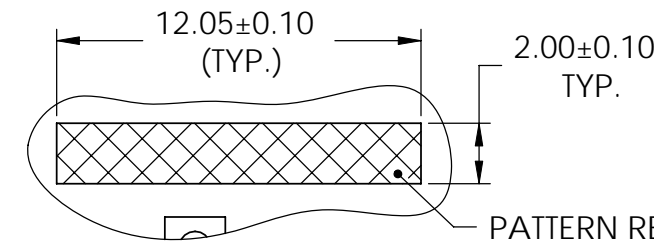
DO NOT SCALE DRAWING

THIS DOCUMENT CONTAINS PROPRIETARY INFORMATION AND SUCH INFORMATION MAY NOT BE DISCLOSED TO OTHERS FOR ANY PURPOSE OR USED FOR MANUFACTURING PURPOSES WITHOUT PERMISSION FROM AMPHENOL CANADA CORP.

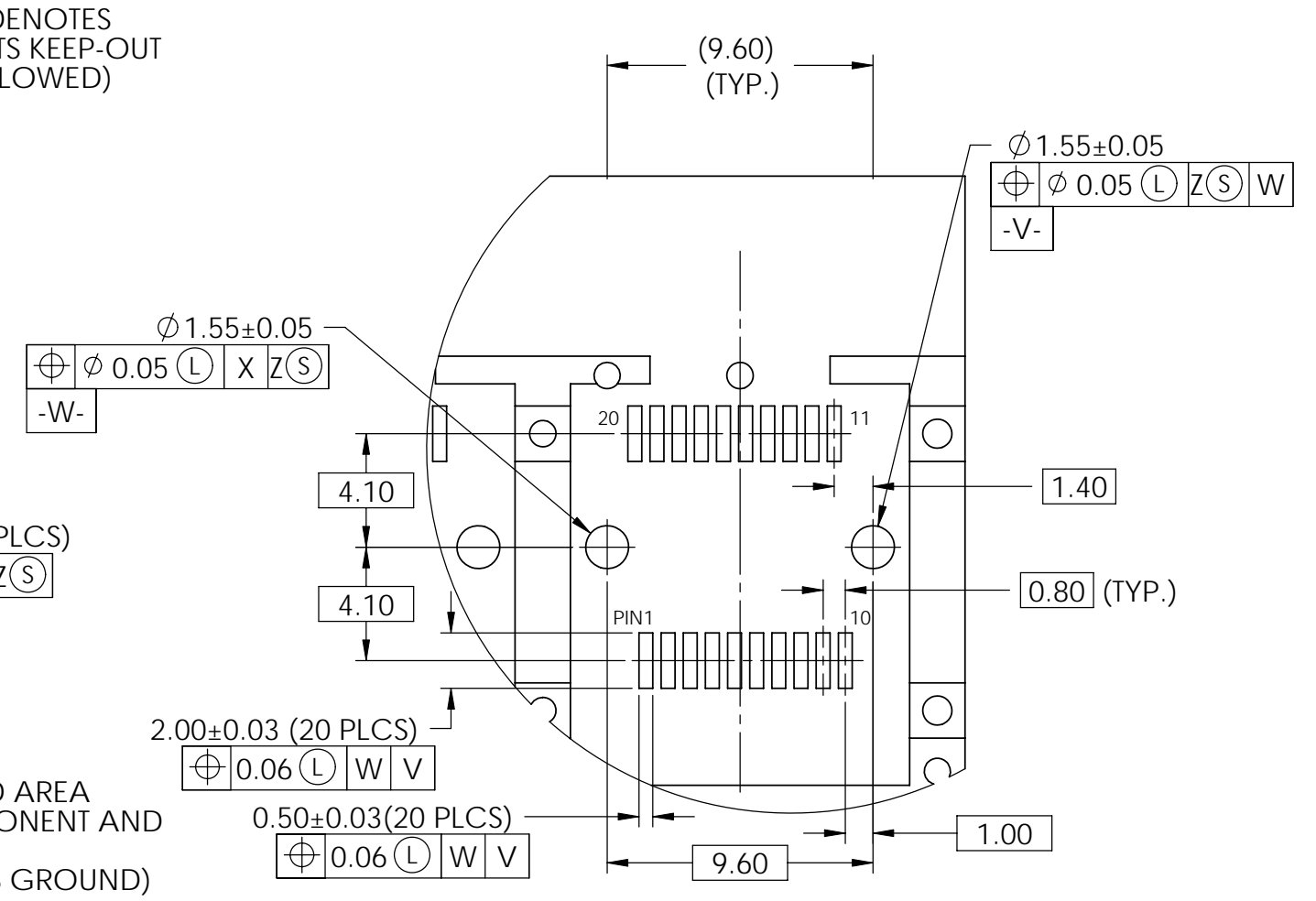
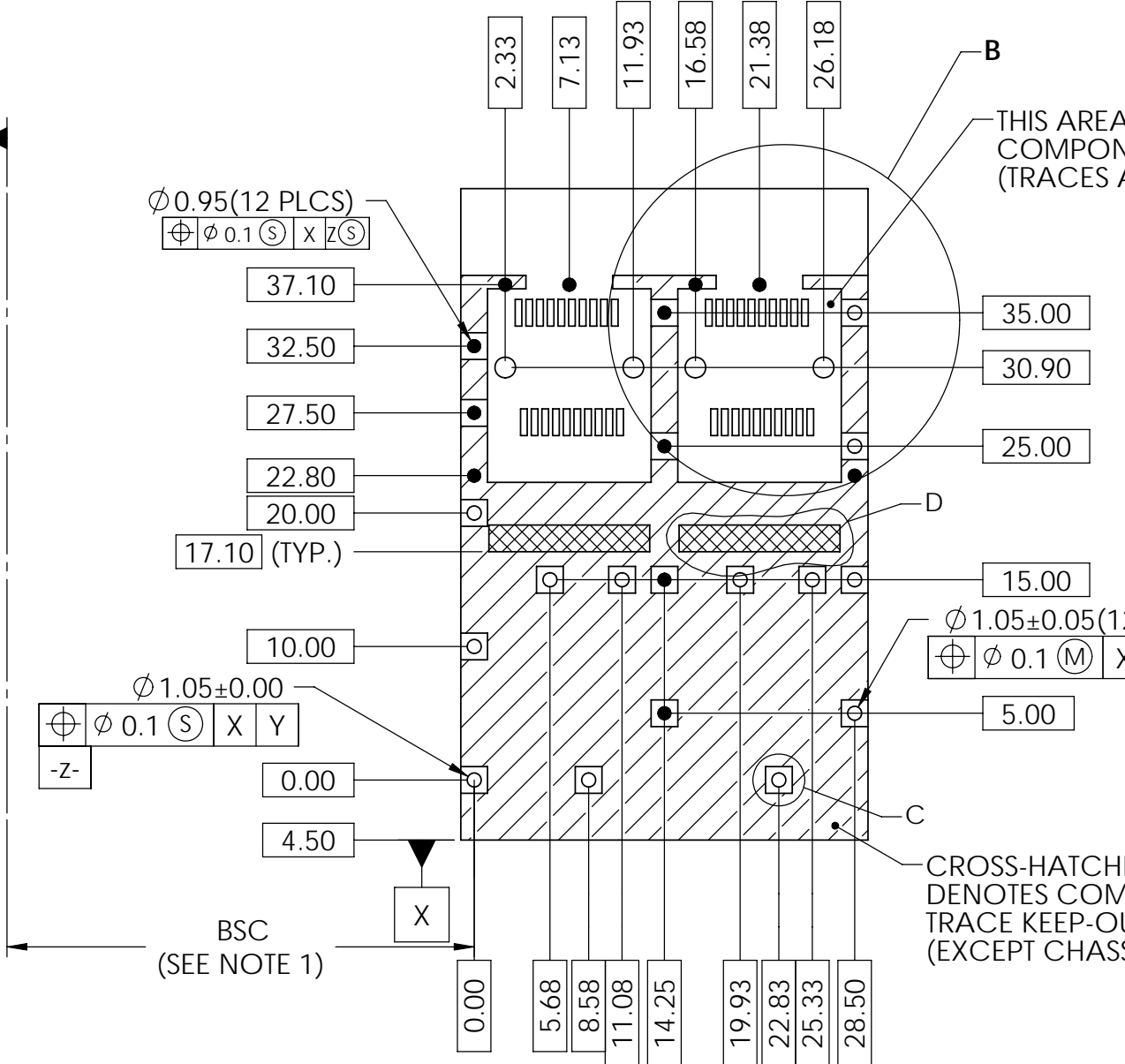
UNLESS OTHERWISE SPECIFIED DIMENSIONS ARE IN MILLIMETERS TOLERANCES ARE:		APPROVALS		DATE	Amphenol Canada Corp.	
DECIMALS	ANGLES	DRAWN	DESIGNED	MAR04/09	TITLE	
X.X ± 0.38	± 1°	ChigowX			1XN SFP+ CAGE ASSEMBLY WITH ELASTOMERIC GASKET	
X.XX ± 0.25		CHECKED	J.SI	MAR26/09	REV. C	
MATERIAL AND FINISH		QA APPD			SIZE	DWG. NO.
SEE NOTE 1		IE APPD			A3	P-U77-AX41M-X081
REF.		DWG APPD		A.G.	SCALE	PROJECT
				MAR26/09	2:1	4 OF 10
CODE IDENT. NO.	03554					

- NOTES:
 1. DATUM AND BASIC DIMENSIONS ESTABLISHED BY CUSTOMER.
 2. PADS AND VIAS ARE CHASSIS GROUND.
 3. THRU-HOLES, PLATING OPTIONAL.
 4. SEE DRAWINGS P-UX76-A20-X00XX FOR CONNECTOR LAYOUT.

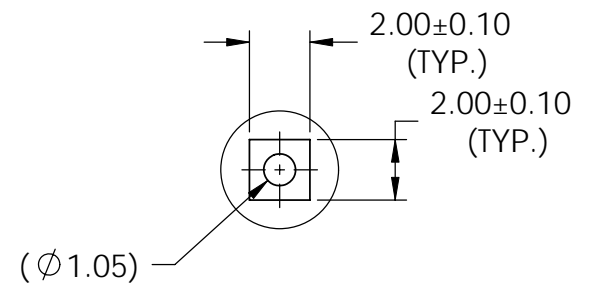
REVISIONS				
REV.	ECN/E-R	DESCRIPTION	DATE	APPROVED
A		PROPOSAL	MAR26/09	
B		UPDATED	JUL14/09	
C		B-B APPLICATION SPECIFIED	AUG14/09	



DETAIL D
SCALE 4 : 1



DETAIL B
SCALE 4 : 1



DETAIL C
SCALE 4 : 1

**RECOMMENDED PCB DESIGN
FOR SINGLE SIDE MOUNTING
(P/N U77-A241M-X081)**

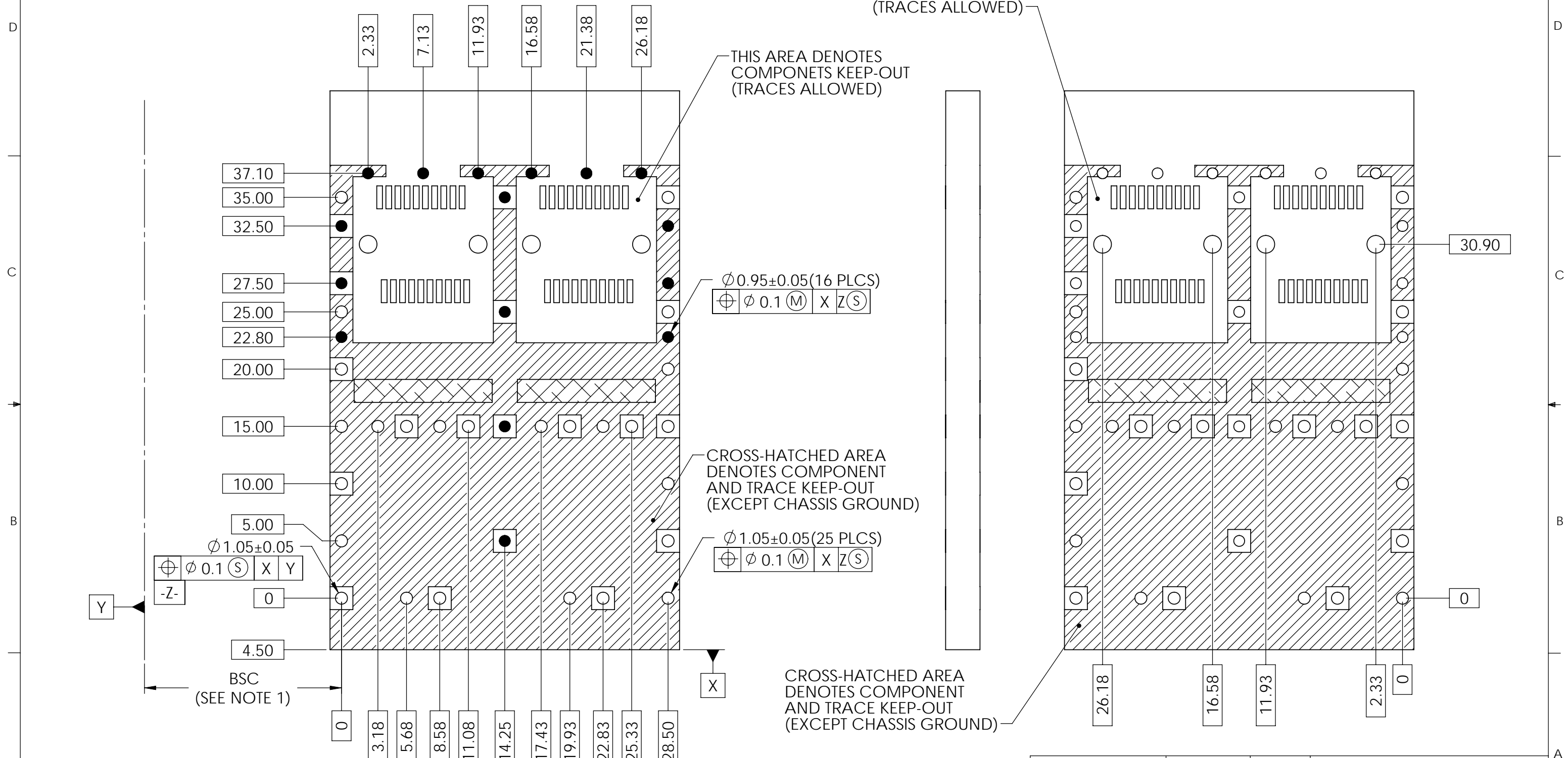
DO NOT SCALE DRAWING

THIS DOCUMENT CONTAINS PROPRIETARY INFORMATION AND SUCH INFORMATION MAY NOT BE DISCLOSED TO OTHERS FOR ANY PURPOSE OR USED FOR MANUFACTURING PURPOSES WITHOUT PERMISSION FROM AMPHENOL CANADA CORP.

UNLESS OTHERWISE SPECIFIED DIMENSIONS ARE IN MILLIMETERS TOLERANCES ARE: DECIMALS X.X ± 0.38 X.XX ± 0.25 MATERIAL AND FINISH SEE NOTE 1 REF. CODE IDENT. NO. 03554	APPROVALS	DATE	Amphenol Canada Corp.	
	DRAWN ChigowX DESIGNED	MAR04/09		
	CHECKED J.SI QA APPD	MAR26/09	1XN SFP+ CAGE ASSEMBLY WITH ELASTOMERIC GASKET	
	IE APPD		SIZE A3 SCALE 2:1	DWG. NO. P-U77-AX41M-X081 PROJECT
	DWG APPD A.G.	MAR26/09	REV. C	SHEET 5 OF 10

- NOTES:
 1. DATUM AND BASIC DIMENSIONS ESTABLISHED BY CUSTOMER.
 2. PADS AND VIAS ARE CHASSIS GROUND.
 3. THRU-HOLES, PLATING OPTIONAL.
 4. SEE DRAWINGS P-UX76-A20-X00XX FOR CONNECTOR LAYOUT.

REVISIONS				
REV.	ECN/E-R	DESCRIPTION	DATE	APPROVED
A		PROPOSAL	MAR26/09	
B		UPDATED	JUL14/09	
C		B-B APPLICATION SPECIFIED	AUG14/09	



**RECOMMENDED PCB DESIGN
 FOR BELLY TO BELLY MOUNTING
 (P/N U77-A241M-X081)**

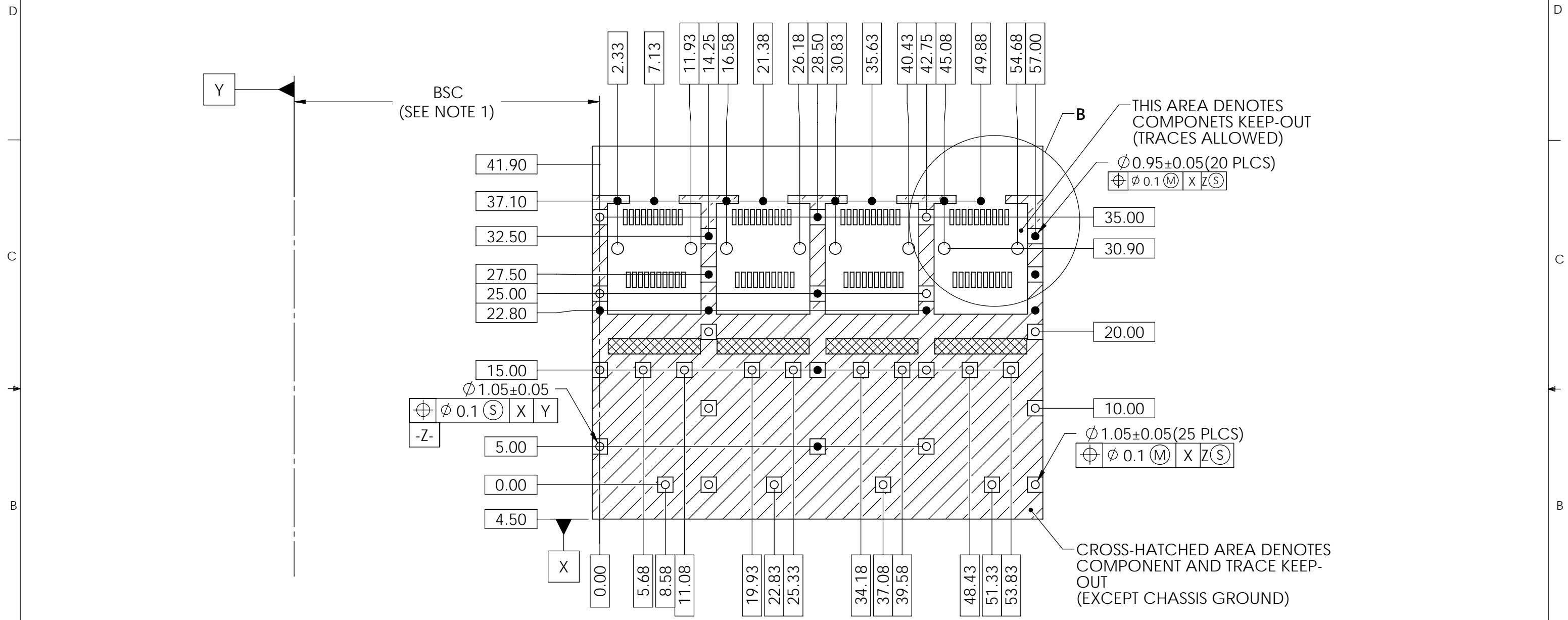
DO NOT SCALE DRAWING

THIS DOCUMENT CONTAINS PROPRIETARY INFORMATION AND SUCH INFORMATION MAY NOT BE DISCLOSED TO OTHERS FOR ANY PURPOSE OR USED FOR MANUFACTURING PURPOSES WITHOUT PERMISSION FROM AMPHENOL CANADA CORP.

UNLESS OTHERWISE SPECIFIED DIMENSIONS ARE IN MILLIMETERS TOLERANCES ARE: DECIMALS ANGLES X.X ± 0.38 ± 1° X.XX ± 0.25	APPROVALS	DATE	Amphenol Canada Corp.	
	DRAWN: ChigowX	MAR04/09		
	CHECKED: J.SI	MAR26/09	1XN SFP+ CAGE ASSEMBLY WITH ELASTOMERIC GASKET	
	QA APPD			
MATERIAL AND FINISH SEE NOTE 1	IE APPD		SIZE: A3	DWG. NO: P-U77-AX41M-X081
REF.	DWG APPD: A.G.	MAR26/09	SCALE: 3:1	PROJECT
CODE IDENT. NO: 03554				SHEET: 6 OF 10

- NOTES:
 1. DATUM AND BASIC DIMENSIONS ESTABLISHED BY CUSTOMER.
 2. PADS AND VIAS ARE CHASSIS GROUND.
 3. THRU-HOLES, PLATING OPTIONAL.
 4. SEE DRAWINGS P-UX76-A20-X00XX FOR CONNECTOR LAYOUT.

REVISIONS				
REV.	ECN/E-R	DESCRIPTION	DATE	APPROVED
A		PROPOSAL	MAR26/09	
B		UPDATED	JUL14/09	
C		B-B APPLICATION SPECIFIED	AUG14/09	



**RECOMMENDED PCB DESIGN
 FOR SINGLE SIDE MOUNTING
 (P/N U77-A441M-X081)**

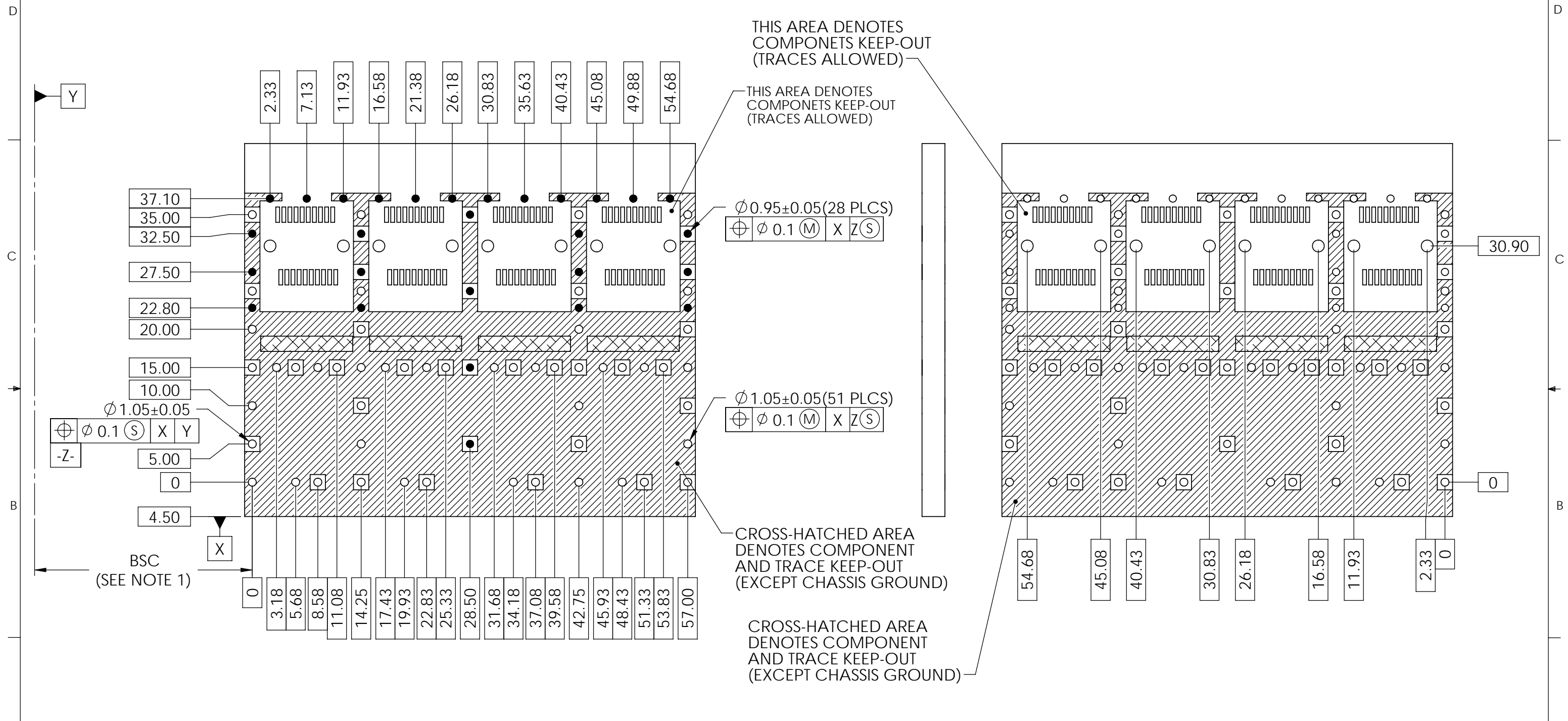
DO NOT SCALE DRAWING

THIS DOCUMENT CONTAINS PROPRIETARY INFORMATION AND SUCH INFORMATION MAY NOT BE DISCLOSED TO OTHERS FOR ANY PURPOSE OR USED FOR MANUFACTURING PURPOSES WITHOUT PERMISSION FROM AMPHENOL CANADA CORP.

UNLESS OTHERWISE SPECIFIED DIMENSIONS ARE IN MILLIMETERS TOLERANCES ARE: DECIMALS ANGLES X.X ± 0.38 ± 1° X.XX ± 0.25 MATERIAL AND FINISH SEE NOTE 1 REF. CODE IDENT. NO. 03554	APPROVALS	DATE	Amphenol Canada Corp. TITLE 1XN SFP+ CAGE ASSEMBLY WITH ELASTOMERIC GASKET SIZE A3 DWG. NO. P-U77-AX41M-X081 REV. C SCALE 1:1 PROJECT SHEET 7 OF 10
	DRAWN ChigowX	MAR04/09	
	DESIGNED		
	CHECKED J.SI	MAR26/09	
	QA APPD		
	IE APPD		
	DWG APPD A.G.	MAR26/09	

- NOTES:
 1. DATUM AND BASIC DIMENSIONS ESTABLISHED BY CUSTOMER.
 2. PADS AND VIAS ARE CHASSIS GROUND.
 3. THRU-HOLES, PLATING OPTIONAL.
 4. SEE DRAWINGS P-UX76-A20-X00XX FOR CONNECTOR LAYOUT.

REVISIONS				
REV.	ECN/E-R	DESCRIPTION	DATE	APPROVED
A		PROPOSAL	MAR26/09	
B		UPDATED	JUL14/09	
C		B-B APPLICATION SPECIFIED	AUG14/09	



**RECOMMENDED PCB DESIGN
 FOR BELLY TO BELLY MOUNTING
 (P/N U77-A441M-X081)**

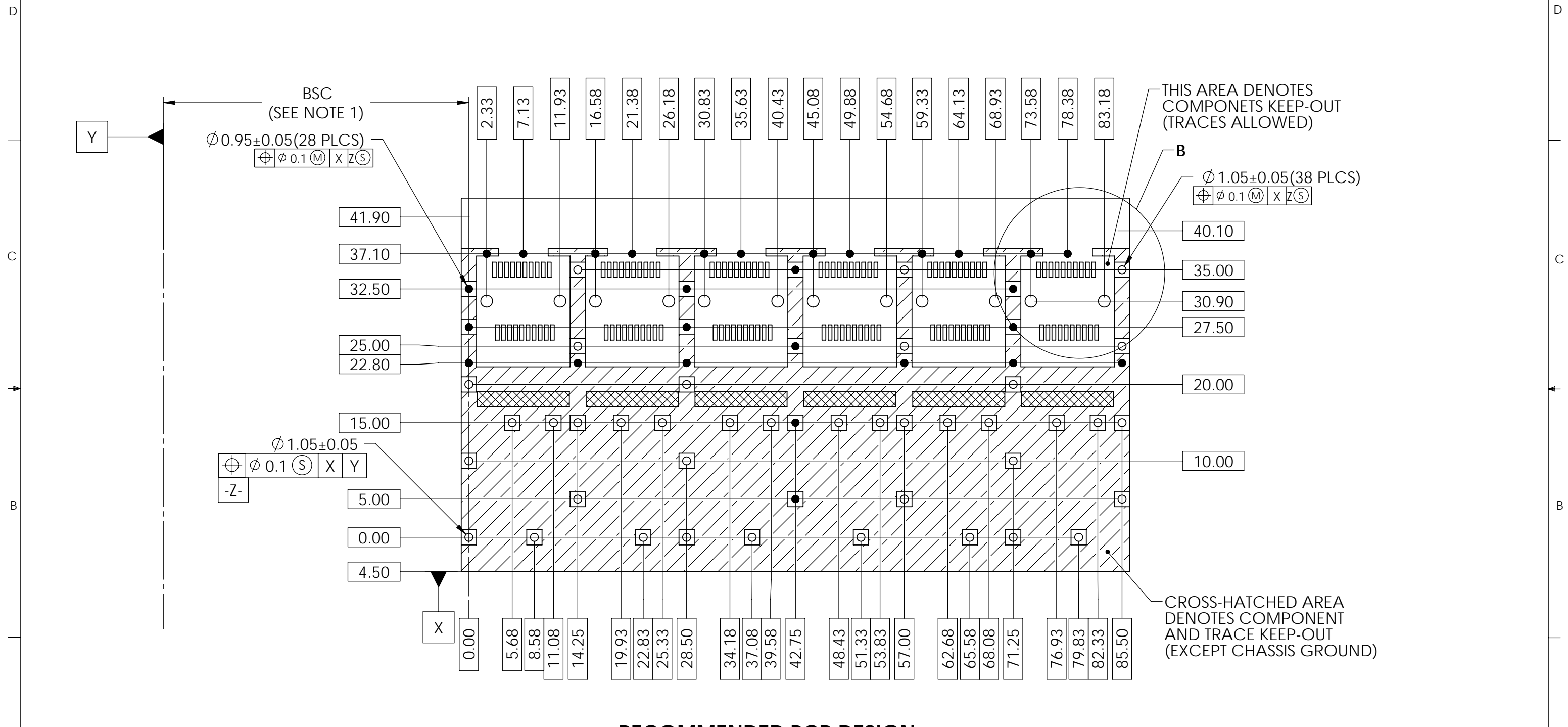
DO NOT SCALE DRAWING

THIS DOCUMENT CONTAINS PROPRIETARY INFORMATION AND SUCH INFORMATION MAY NOT BE DISCLOSED TO OTHERS FOR ANY PURPOSE OR USED FOR MANUFACTURING PURPOSES WITHOUT PERMISSION FROM AMPHENOL CANADA CORP.

UNLESS OTHERWISE SPECIFIED DIMENSIONS ARE IN MILLIMETERS TOLERANCES ARE: DECIMALS ANGLES X.X ± 0.38 ± 1° X.XX ± 0.25	APPROVALS	DATE	Amphenol Canada Corp.
	DRAWN: ChigowX	MAR04/09	
MATERIAL AND FINISH SEE NOTE 1	CHECKED: J.SI	MAR26/09	1XN SFP+ CAGE ASSEMBLY WITH ELASTOMERIC GASKET
	QA APPD:		
REF:	IE APPD:		SIZE: A3
CODE IDENT. NO: 03554	DWG APPD: A.G.	MAR26/09	DWG. NO: P-U77-AX41M-X081
			SCALE: 2:1
			PROJECT:
			SHEET: 8 OF 10

- NOTES:
 1. DATUM AND BASIC DIMENSIONS ESTABLISHED BY CUSTOMER.
 2. PADS AND VIAS ARE CHASSIS GROUND.
 3. THRU-HOLES, PLATING OPTIONAL.
 4. SEE DRAWINGS P-UX76-A20-X00XX FOR CONNECTOR LAYOUT.

REVISIONS				
REV.	ECN/E-R	DESCRIPTION	DATE	APPROVED
A		PROPOSAL	MAR26/09	
B		UPDATED	JUL14/09	
C		B-B APPLICATION SPECIFIED	AUG14/09	



**RECOMMENDED PCB DESIGN
 FOR SINGLE SIDE MOUNTING
 (P/N U77-A641M-X081)**

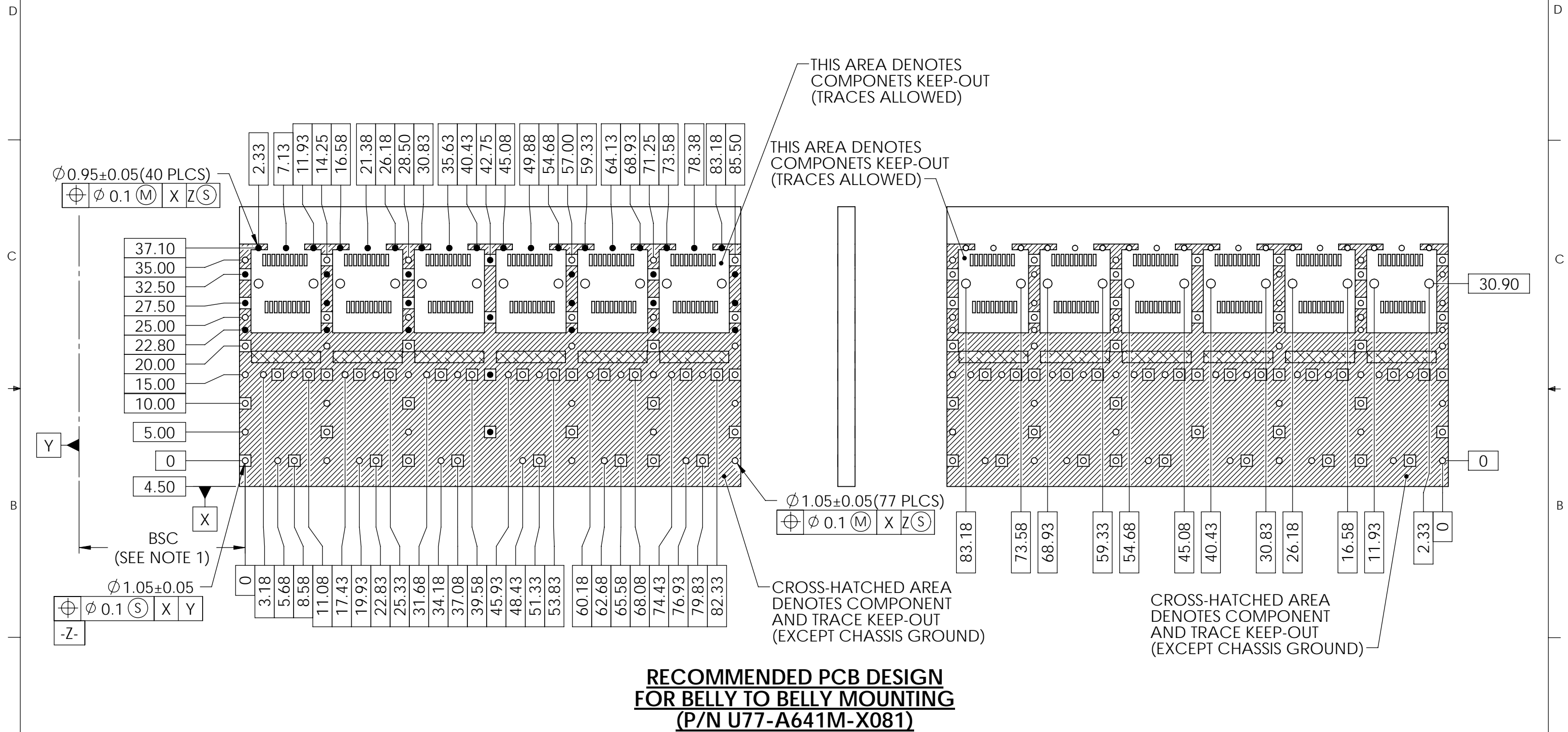
DO NOT SCALE DRAWING

THIS DOCUMENT CONTAINS PROPRIETARY INFORMATION AND SUCH INFORMATION MAY NOT BE DISCLOSED TO OTHERS FOR ANY PURPOSE OR USED FOR MANUFACTURING PURPOSES WITHOUT PERMISSION FROM AMPHENOL CANADA CORP.

UNLESS OTHERWISE SPECIFIED DIMENSIONS ARE IN MILLIMETERS TOLERANCES ARE: DECIMALS X.X ± 0.38 X.XX ± 0.25 MATERIAL AND FINISH SEE NOTE 1 REF. CODE IDENT. NO. 03554		APPROVALS DRAWN ChigowX DESIGNED CHECKED J.SI QA APPD IE APPD DWG APPD A.G.	DATE MAR04/09 MAR26/09 MAR26/09	Amphenol Canada Corp. TITLE 1XN SFP+ CAGE ASSEMBLY WITH ELASTOMERIC GASKET SIZE A3 DWG. NO. P-U77-AX41M-X081 SCALE 1:1 PROJECT SHEET 9 OF 10
---	--	---	--	--

- NOTES:
 1. DATUM AND BASIC DIMENSIONS ESTABLISHED BY CUSTOMER.
 2. PADS AND VIAS ARE CHASSIS GROUND.
 3. THRU-HOLES, PLATING OPTIONAL.
 4. SEE DRAWINGS P-UX76-A20-X00XX FOR CONNECTOR LAYOUT.

REVISIONS				
REV.	ECN/E-R	DESCRIPTION	DATE	APPROVED
A		PROPOSAL	MAR26/09	
B		UPDATED	JUL14/09	
C		B-B APPLICATION SPECIFIED	AUG14/09	



**RECOMMENDED PCB DESIGN
 FOR BELLY TO BELLY MOUNTING
 (P/N U77-A641M-X081)**

DO NOT SCALE DRAWING

THIS DOCUMENT CONTAINS PROPRIETARY INFORMATION AND SUCH INFORMATION MAY NOT BE DISCLOSED TO OTHERS FOR ANY PURPOSE OR USED FOR MANUFACTURING PURPOSES WITHOUT PERMISSION FROM AMPHENOL CANADA CORP.

UNLESS OTHERWISE SPECIFIED DIMENSIONS ARE IN MILLIMETERS TOLERANCES ARE: DECIMALS ANGLES X.X ± 0.38 ± 1° X.XX ± 0.25	APPROVALS	DATE	Amphenol Canada Corp.	
	DRAWN: ChigowX	MAR04/09		
	DESIGNED:		1XN SFP+ CAGE ASSEMBLY WITH ELASTOMERIC GASKET	
	CHECKED: J.SI	MAR26/09		
MATERIAL AND FINISH: SEE NOTE 1	QA APPD:		SIZE: A3	DWG. NO: P-U77-AX41M-X081
REF:	IE APPD:		SCALE: 3:2	PROJECT:
CODE IDENT. NO: 03554	DWG APPD: A.G.	MAR26/09	SHEET: 10 OF 10	REV: C

Компания «Океан Электроники» предлагает заключение долгосрочных отношений при поставках импортных электронных компонентов на взаимовыгодных условиях!

Наши преимущества:

- Поставка оригинальных импортных электронных компонентов напрямую с производств Америки, Европы и Азии, а так же с крупнейших складов мира;
- Широкая линейка поставок активных и пассивных импортных электронных компонентов (более 30 млн. наименований);
- Поставка сложных, дефицитных, либо снятых с производства позиций;
- Оперативные сроки поставки под заказ (от 5 рабочих дней);
- Экспресс доставка в любую точку России;
- Помощь Конструкторского Отдела и консультации квалифицированных инженеров;
- Техническая поддержка проекта, помощь в подборе аналогов, поставка прототипов;
- Поставка электронных компонентов под контролем ВП;
- Система менеджмента качества сертифицирована по Международному стандарту ISO 9001;
- При необходимости вся продукция военного и аэрокосмического назначения проходит испытания и сертификацию в лаборатории (по согласованию с заказчиком);
- Поставка специализированных компонентов военного и аэрокосмического уровня качества (Xilinx, Altera, Analog Devices, Intersil, Interpoint, Microsemi, Actel, Aeroflex, Peregrine, VPT, Syfer, Eurofarad, Texas Instruments, MS Kennedy, Miteq, Cobham, E2V, MA-COM, Hittite, Mini-Circuits, General Dynamics и др.);

Компания «Океан Электроники» является официальным дистрибьютором и эксклюзивным представителем в России одного из крупнейших производителей разъемов военного и аэрокосмического назначения «JONHON», а так же официальным дистрибьютором и эксклюзивным представителем в России производителя высокотехнологичных и надежных решений для передачи СВЧ сигналов «FORSTAR».



JONHON

«JONHON» (основан в 1970 г.)

Разъемы специального, военного и аэрокосмического назначения:

(Применяются в военной, авиационной, аэрокосмической, морской, железнодорожной, горно- и нефтедобывающей отраслях промышленности)

«FORSTAR» (основан в 1998 г.)

ВЧ соединители, коаксиальные кабели, кабельные сборки и микроволновые компоненты:

(Применяются в телекоммуникациях гражданского и специального назначения, в средствах связи, РЛС, а так же военной, авиационной и аэрокосмической отраслях промышленности).



Телефон: 8 (812) 309-75-97 (многоканальный)

Факс: 8 (812) 320-03-32

Электронная почта: ocean@oceanchips.ru

Web: <http://oceanchips.ru/>

Адрес: 198099, г. Санкт-Петербург, ул. Калинина, д. 2, корп. 4, лит. А