

## Features

- 3W Output at 10% THD with a 4Ω Load and 5V Power Supply
- Filterless, Low Quiescent Current and Low EMI
- Low THD+N
- 64-Step DC Volume Control from -75dB to +24dB
- Superior Low Noise
- Efficiency up to 89%
- Short Circuit Protection
- Thermal Shutdown
- Few External Components to Save the Space and Cost
- Pb-Free Package

## Applications

- LCD Monitors/TV Projectors
- Notebook Computers
- Portable Speakers
- Portable DVD Players, Game Machines
- Cellular Phones/Speaker Phones

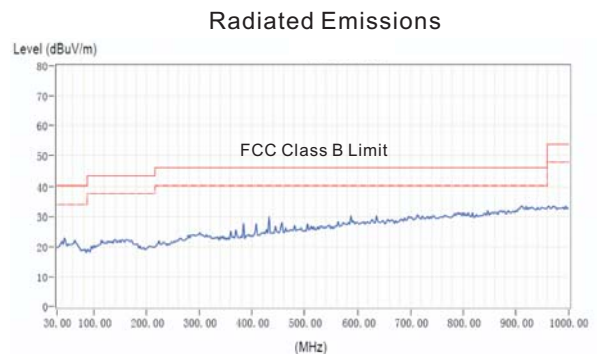
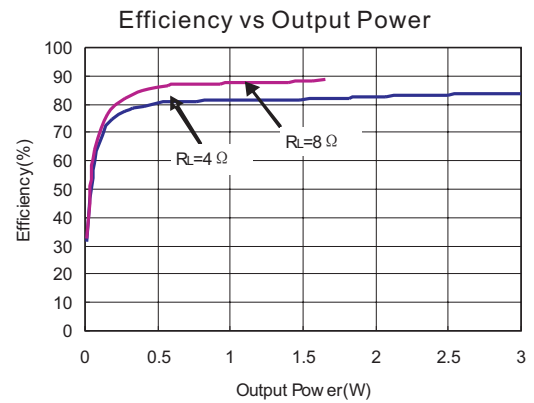
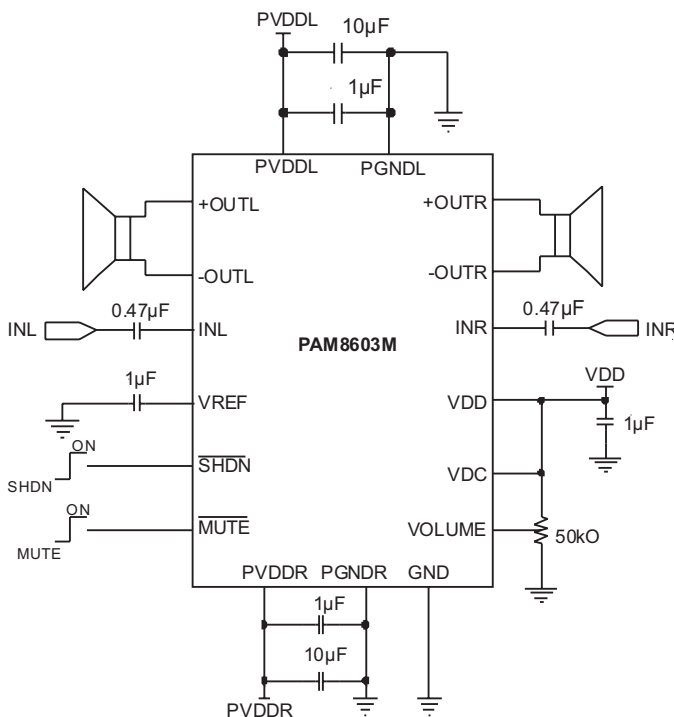
## General Description

The PAM8603M is a 3W, stereo, class-D audio amplifier with DC volume control. It offers low THD+N, allowing it to produce high-quality sound reproduction. The new filterless architecture allows the device to drive the speaker directly, requiring no low-pass output filters, which saves the system cost and PCB area.

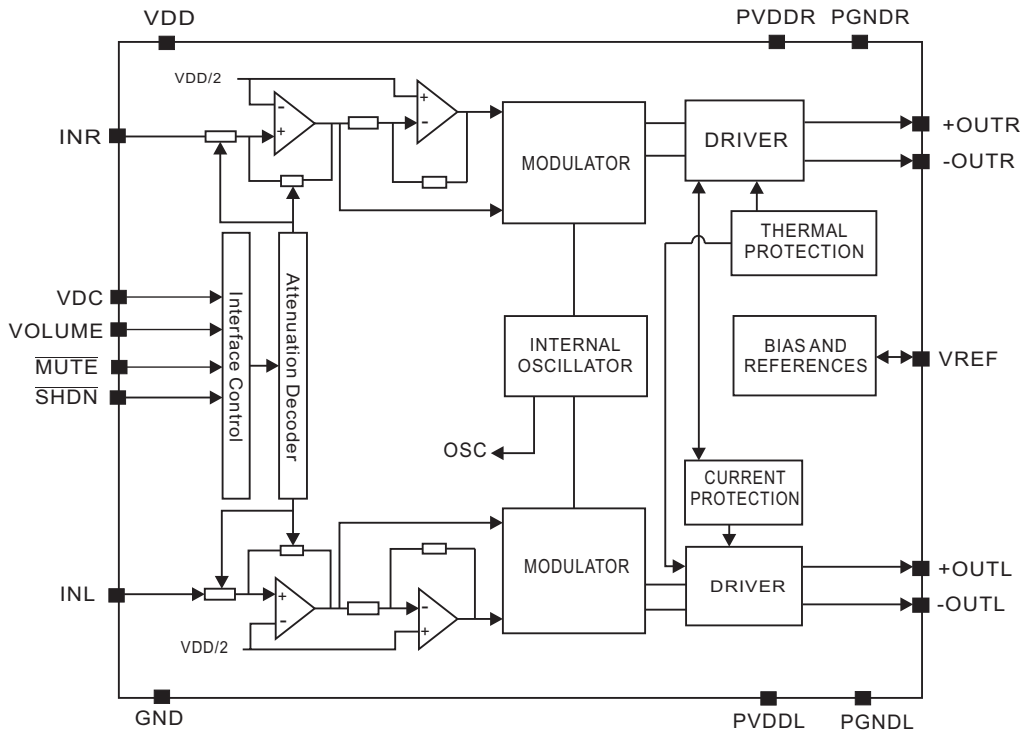
With the same numbers of external components, the efficiency of the PAM8603M is much better than class-AB cousins. It can extend the battery life thus ideal for portable applications.

The PAM8603M is available in SSOP-24 and SOP-18 packages.

## Typical Application Circuit

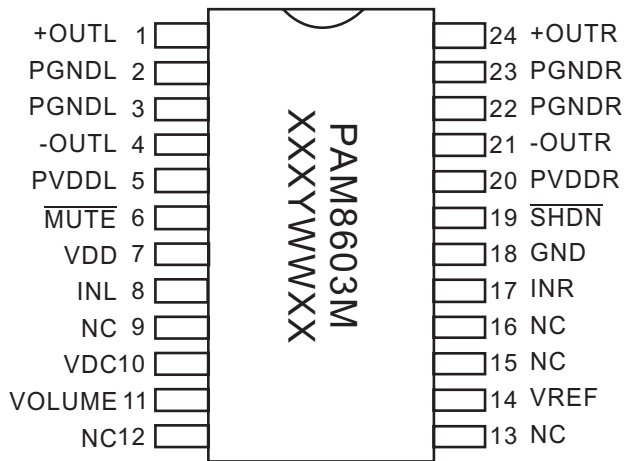


### Block Diagram

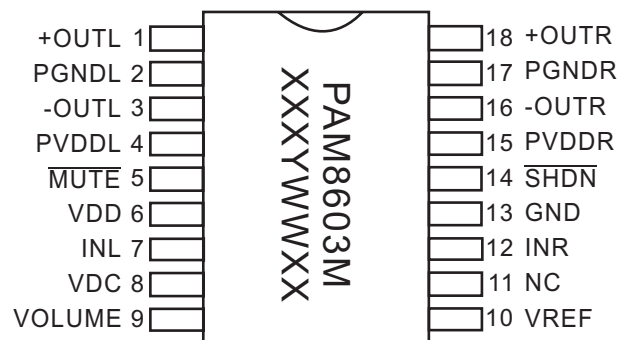


### Pin Configuration & Marking Information

Top View  
SSOP-24



Top View  
SOP-18



X: Internal Code  
Y: Year  
WW: Week



### Pin Descriptions

Pin Name	SSOP-24	SOP-18	Description
+OUTL	1	1	Left Channel Positive Output
PGNDL	2,3	2	Left Channel Power GND
-OUTL	4	3	Left Channel Negative Output
PVDDL	5	4	Left Channel Power Supply
$\overline{\text{MUTE}}$	6	5	Mute Control Input (active low)
VDD	7	6	Analog Power Supply
INL	8	7	Left Channel Input
NC	9, 12,13,15,16	11	No Connect
VDC	10	8	Analog reference for gain control section
VOLUME	11	9	DC volume control to set the gain of Class-D
VREF	14	10	Internal analog reference, connect a bypass capacitor from VREF to GND
INR	17	12	Right Channel Input
GND	18	13	Analog Ground
$\overline{\text{SHDN}}$	19	14	Shutdown Control Input(active low)
PVDDR	20	15	Right Channel Power Supply
-OUTR	21	16	Right Channel Negative Output
PGNDR	22,23	17	Right Channel Power GND
+OUTR	24	18	Right Channel Positive Output

### Absolute Maximum Ratings

These are stress ratings only and functional operation is not implied. Exposure to absolute maximum ratings for prolonged time periods may affect device reliability. All voltages are with respect to ground.

Supply Voltage .....	6.6V	Maximum Junction Temperature.....	150°C
Input Voltage.....	-0.3V to $V_{DD}+0.3V$	Storage Temperature.....	-65°C to 150°C
		Soldering Temperature.....	300°C, 5sec

### Recommended Operating Conditions

Supply Voltage Range.....	2.8V to 5.5V	Junction Temperature Range.....	-40°C to 125°C
Max. Supply Voltage (for Max. duration of 30 minutes).....	6.4V	Ambient Temperature Range.....	-40°C to 85°C

### Thermal Information

Parameter	Symbol	Package	Maximum	Unit
Thermal Resistance (Junction to Ambient)	$\theta_{JA}$	SSOP-24	96	°C/W
		SOP-18	70	°C/W
Thermal Resistance (Junction to Case)	$\theta_{JC}$	SSOP-24	18	°C/W
		SOP-18	16	°C/W

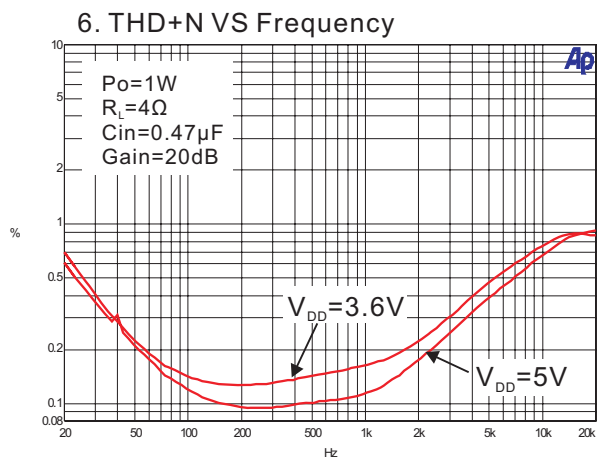
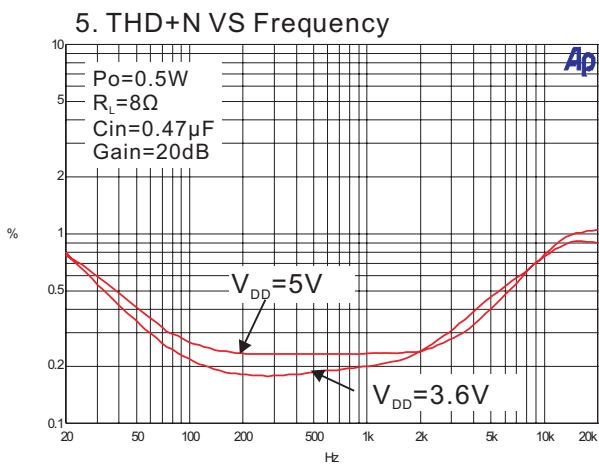
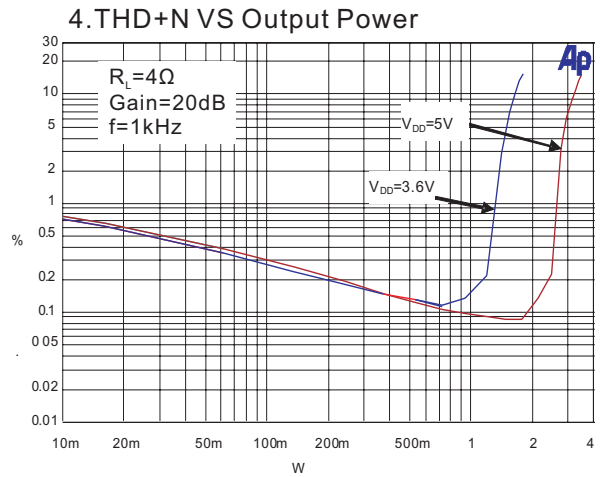
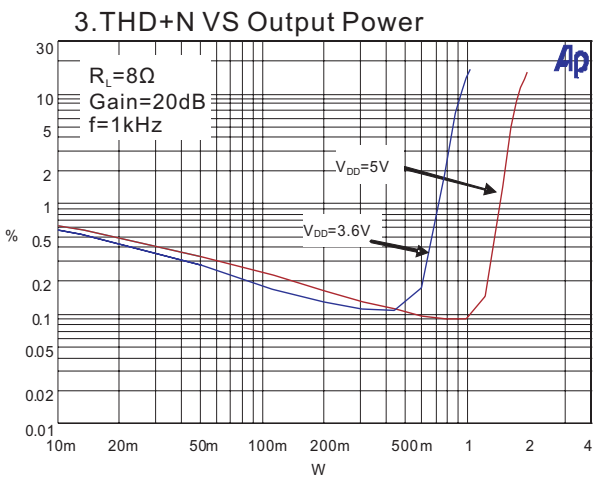
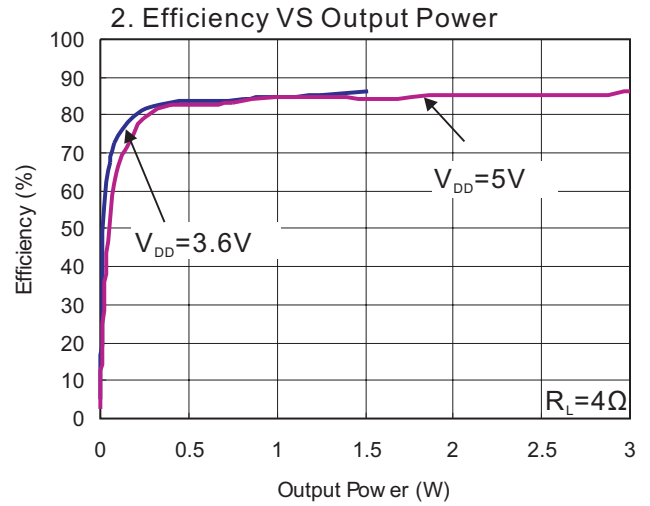
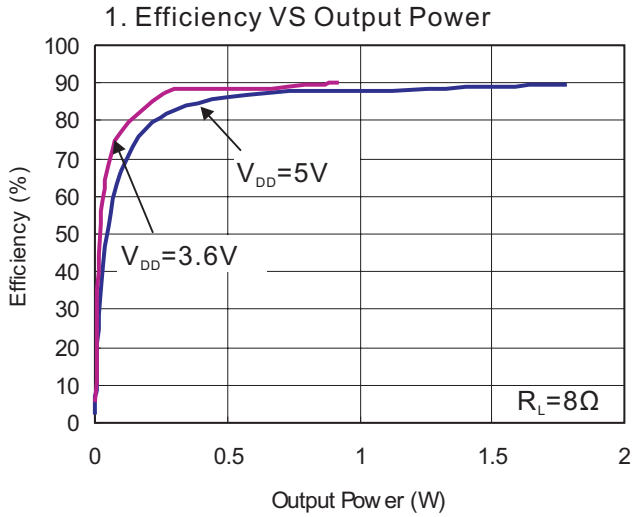


## Electrical Characteristic

$V_{DD}=5V$ , Gain=20dB,  $T_A=25^{\circ}C$ , unless otherwise noted.

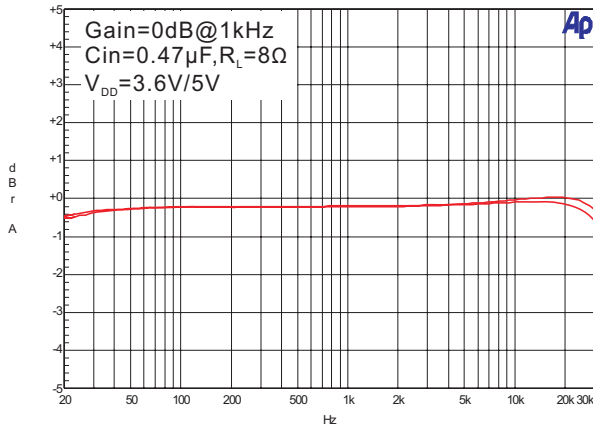
Symbol	Parameter	Test Conditions	MIN	TYP	MAX	UNIT	
$V_{DD}$	Supply Voltage		2.8		5.5	V	
$P_o$	Output Power	THD+N=10%, f=1kHz, $R_L=4\Omega$	$V_{DD}=5.0V$	2.85	3.2		W
			$V_{DD}=3.6V$	1.55	1.8		
		THD+N=1%, f=1kHz, $R_L=4\Omega$	$V_{DD}=5.0V$	2.35	2.6		W
			$V_{DD}=3.6V$	1.25	1.5		
		THD+N=10%, f=1kHz, $R_L=8\Omega$	$V_{DD}=5.0V$	1.55	1.8		W
			$V_{DD}=3.6V$	0.75	0.9		
		THD+N=1%, f=1kHz, $R_L=8\Omega$	$V_{DD}=5.0V$	1.15	1.4		W
			$V_{DD}=3.6V$	0.5	0.72		
THD+N	Total Harmonic Distortion Plus Noise	$V_{DD}=5.0V, P_o=0.5W, R_L=8\Omega$	f=1kHz		0.15	0.3	%
				$V_{DD}=3.6V, P_o=0.5W, R_L=8\Omega$		0.11	
		$V_{DD}=5.0V, P_o=1W, R_L=4\Omega$	f=1kHz		0.15	0.3	%
				$V_{DD}=3.6V, P_o=1W, R_L=4\Omega$		0.11	
PSRR	Power Supply Ripple Rejection	$V_{DD}=5.0V$ , Inputs ac-grounded	f=100Hz		-59	-50	dB
			f=1kHz		-58	-50	
$C_s$	Crosstalk	$V_{DD}=5V, P_o=0.5W, R_L=8\Omega, f=1kHz$		-95	-80	dB	
SNR	Signal-to-noise ratio	$V_{DD}=5V, V_o_{rms}=1V, f=1kHz$	85	98		dB	
$V_n$	Output noise	$V_{DD}=5V$ , Inputs ac-grounded with $C_{in}=0.47\mu F$	A-weighting		75	150	$\mu V$
			No A-weighting		120	300	
Dyn	Dynamic range	$V_{DD}=5.0V, THD=1\%, f=1kHz$	90	102		dB	
$\eta$	Efficiency	$R_L=8\Omega, THD=10\%$	f=1kHz	85	89	%	
		$R_L=4\Omega, THD=10\%$		80	85		
$I_Q$	Quiescent Current	$V_{DD}=5V$	No load		13.5	20	mA
		$V_{DD}=3.6V$			8.5	15	
$I_{MUTE}$	Muting Current	$V_{DD}=5.0V, V_{MUTE}=0.3V$		2.7	5	mA	
$I_{SD}$	Shutdown Current	$V_{DD}=2.5V$ to $5.5V, V_{SD}=0.3V$			1	$\mu A$	
$R_{dson}$	Static Drain-to-source On-state Resistor	$I_{DS}=500mA, V_{GS}=5V$	PMOS		240	500	m $\Omega$
			NMOS		180	350	
fsw	Switching Frequency	$V_{DD}=3V$ to $5V$	200	260	300	kHz	
$V_{OS}$	Output Offset Voltage	$V_{in}=0V, V_{DD}=5V$		10	50	mV	
$V_{IH}$	SD/MUTE Input High	$V_{DD}=5V$		1.45		V	
$V_{IL}$	SD/MUTE Input Low	$V_{DD}=5V$		0.65			
OTP	Over Temperature Protection	No Load, Junction Temperature, $V_{DD}=5V$		135		$^{\circ}C$	
OTH	Over Temperature Hysteresis			30			

## Typical Operating Characteristics (T<sub>A</sub>=25°C)

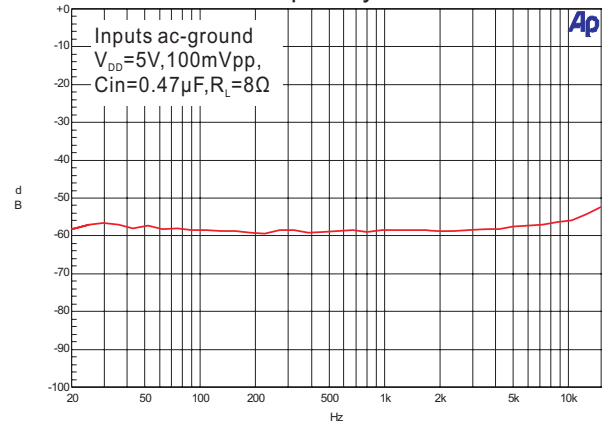


## Typical Operating Characteristics ( $T_A=25^\circ\text{C}$ )

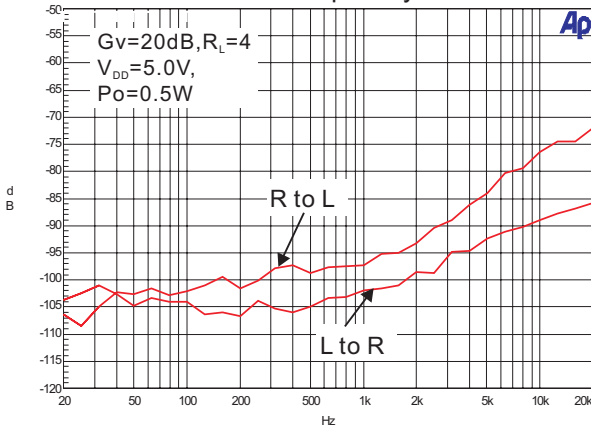
7. Frequency Response



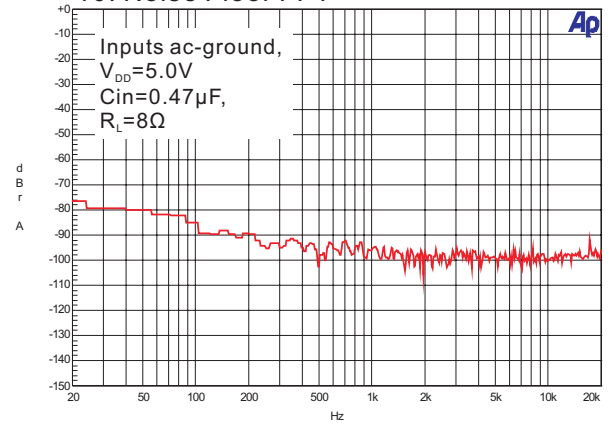
8. PSRR VS Frequency



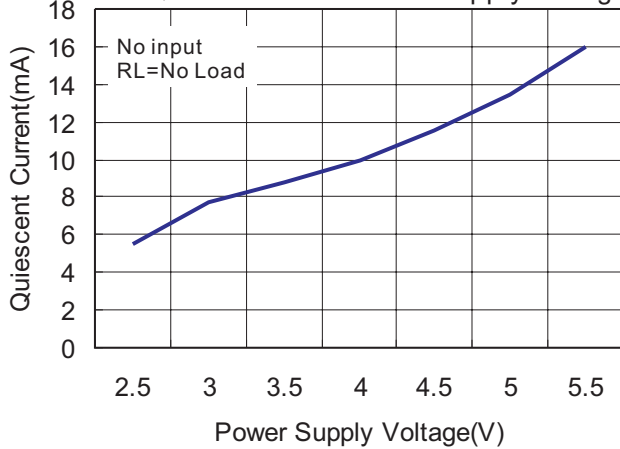
9. Crosstalk VS Frequency



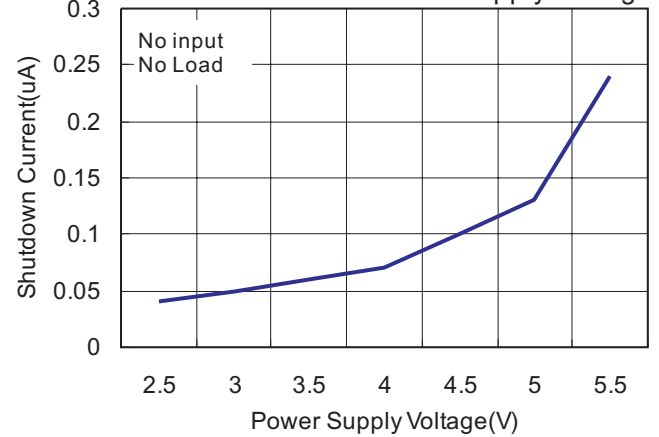
10. Noise Floor FFT



11. Quiescent Current VS Supply Voltage



12. Shutdown Current VS Supply Voltage



## Typical Operating Characteristics (T<sub>A</sub>=25°C)

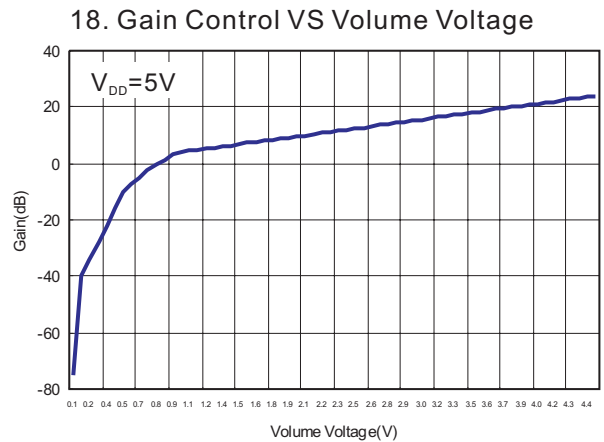
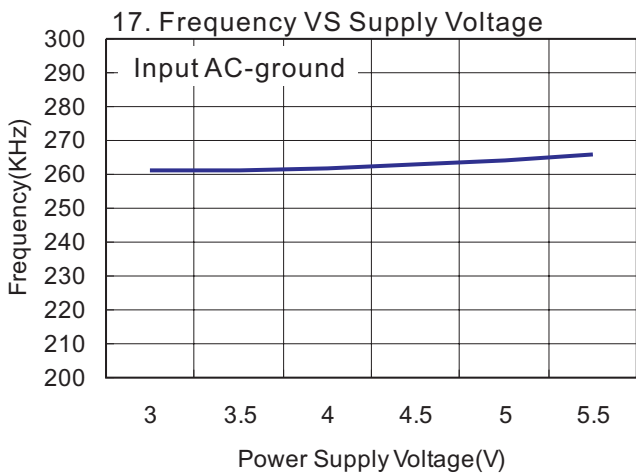
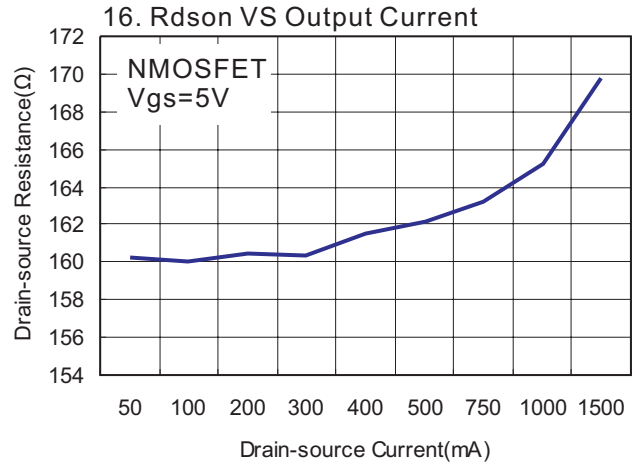
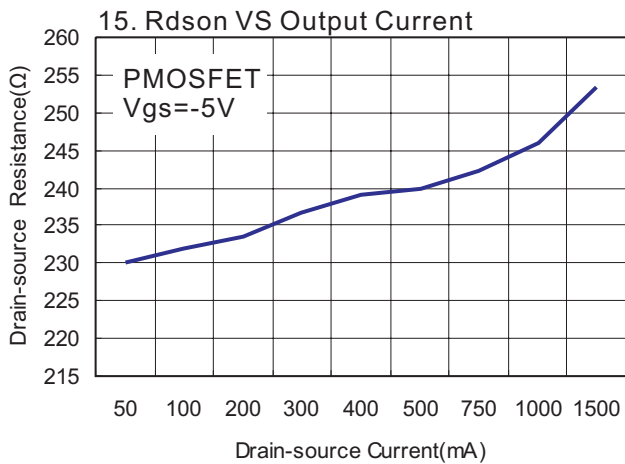
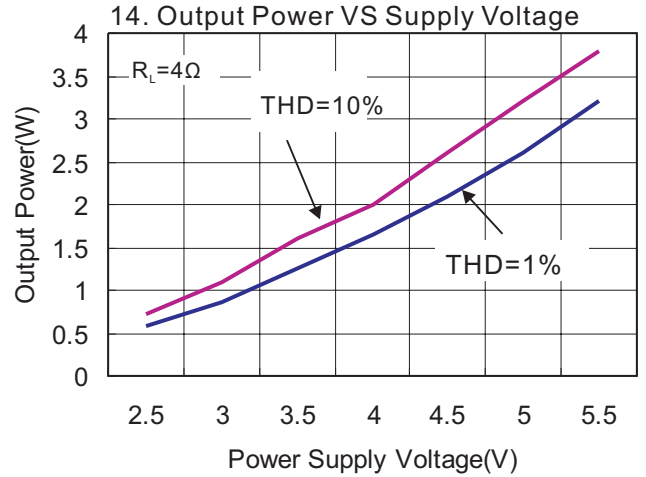
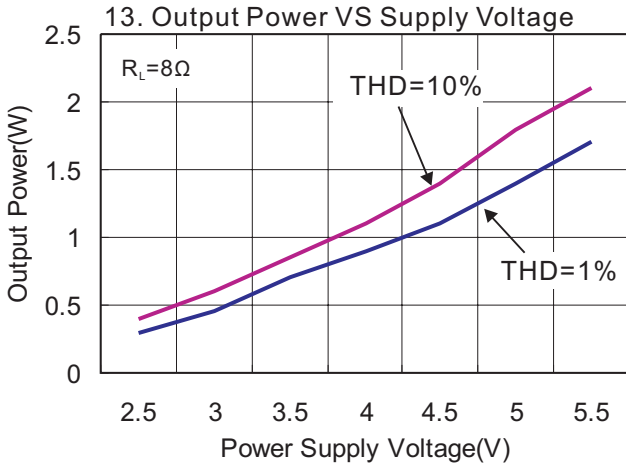




Table 1. DC Volume Control

STEP	Gain (dB)	STEP	Gain (dB)
0	-75	32	11.6
1	-40	33	12
2	-34	34	12.4
3	-28	35	12.8
4	-22	36	13.2
5	-16	37	13.6
6	-10	38	14
7	-7.5	39	14.4
8	-5	40	14.8
9	-2.5	41	15.2
10	0	42	15.6
11	1.5	43	16
12	3	44	16.4
13	4	45	16.8
14	4.4	46	17.2
15	4.8	47	17.6
16	5.2	48	18
17	5.6	49	18.4
18	6	50	18.8
19	6.4	51	19.2
20	6.8	52	19.6
21	7.2	53	20
22	7.6	54	20.4
23	8	55	20.8
24	8.4	56	21.2
25	8.8	57	21.6
26	9.2	58	22
27	9.6	59	22.4
28	10	60	22.8
29	10.4	61	23.2
30	10.8	62	23.6
31	11.2	63	24



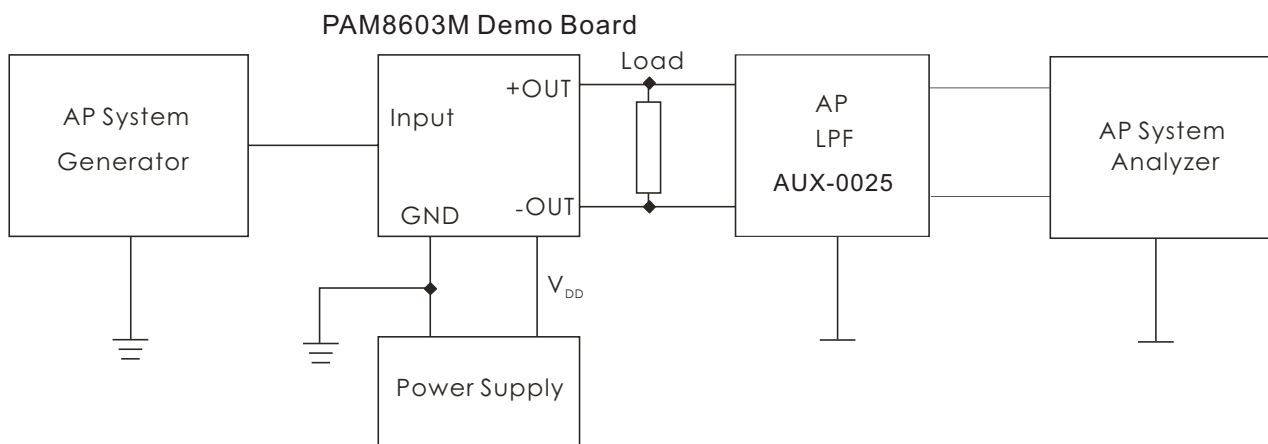
## Application Notice

1. When the PAM8603M works with LC filters, it should be connected with the speaker before it is powered on, otherwise it will be damaged easily.
2. When the PAM8603M works without LC filters, it's better to add a ferrite chip bead at the outgoing line of speaker to suppress the possible electromagnetic interference.

3. The input signal should not be too high. If too high, it will cause the clipping of output signal when increasing the volume. Because the DC volume control of the PAM8603M has big gain, it will make the device damaged.

4. When testing the PAM8603M without LC filters by using resistor instead of speaker as the output load, the test results, e.g. efficiency, will be worse than those using speaker as load.

## Test Setup for Performance Testing



### Notes

1. The AP AUX-0025 low pass filter is necessary for class-D amplifier measurement done by AP analyzer.
2. Two 22 $\mu$ H inductors are used in series with load resistor to emulate the small speaker for efficiency measurement.

## Application Information

### Mute Operation

The  $\overline{\text{MUTE}}$  pin is an input for controlling the output state of the PAM8603M. A logic low on this pin disables the outputs, and a logic high enables the outputs. This pin may be used as a quick disable or enable of the outputs without a volume fade. Quiescent current is listed in the electrical characteristic table. The  $\overline{\text{MUTE}}$  pin can be left floating due to the internal pull-up.

For better power-off pop performance, the amplifier should be placed in the mute mode prior to removing the power supply.

### Shutdown Operation

In order to reduce power consumption while not in use, the PAM8603M contains shutdown circuitry to turn off the amplifier's bias circuitry. The amplifier is turned off when logic low is placed on the  $\overline{\text{SHDN}}$  pin. By switching the  $\overline{\text{SHDN}}$  pin connected to GND, the PAM8603M supply current draw will be minimized in idle mode. The  $\overline{\text{SHDN}}$  pin can be left floating due to the internal pull-up.

### Power Supply Decoupling

The PAM8603M is a high performance CMOS audio amplifier that requires adequate power supply decoupling to ensure the output THD and PSRR as low as possible. Power supply decoupling affects low frequency response. Optimum decoupling is achieved by using two capacitors of different types that target different noise on the power supply leads. For higher frequency transients, spikes, or digital hash on the line, a good low equivalent-series resistance (ESR) ceramic capacitor, typically 1.0 $\mu\text{F}$ , placed as close as possible to the device VDD terminal works best. For filtering lower-frequency noise signals, a large capacitor of 10 $\mu\text{F}$  (ceramic) or greater placed near the audio power amplifier is recommended.

### Input Capacitor ( $C_i$ )

Large input capacitors are both expensive and space hungry for portable designs. Clearly, a certain sized capacitor is needed to couple in low frequencies without severe attenuation. But in many cases the speakers used in portable systems, whether internal or external, have little ability to reproduce signals below 100Hz to 150Hz. Thus, using a large input capacitor may not increase actual system performance. In this

case, input capacitor ( $C_i$ ) and input resistance ( $R_i$ ) of the amplifier form a high-pass filter with the corner frequency determined equation below,

$$f_c = \frac{1}{2\pi R_i C_i}$$

In addition to system cost and size, click and pop performance is affected by the size of the input coupling capacitor,  $C_i$ . A larger input coupling capacitor requires more charge to reach its quiescent DC voltage (nominally 1/2  $V_{DD}$ ). This charge comes from the internal circuit via the feedback and is apt to create pops upon device enable. Thus, by minimizing the capacitor size based on necessary low frequency response, turn-on pops can be minimized.

### Analog Reference Bypass Capacitor ( $C_{BYP}$ )

The Analog Reference Bypass Capacitor ( $C_{BYP}$ ) is the most critical capacitor and serves several important functions. During start-up or recovery from shutdown mode,  $C_{BYP}$  determines the rate at which the amplifier starts up. The second function is to reduce noise produced by the power supply coupling in the output drive signal. This noise is from the internal analog reference to the amplifier which appears as degraded PSRR and THD+N.

A ceramic bypass capacitor ( $C_{BYP}$ ) of 0.47 $\mu\text{F}$  to 1.0 $\mu\text{F}$  is recommended for the best THD and noise performance. Increasing the bypass capacitor reduces clicking and popping noise from power on/off and entering and leaving shutdown.

### Under Voltage Lock-out (UVLO)

The PAM8603M incorporates circuitry to detect low supply voltage. When the supply voltage drops to 1.8V or below, the PAM8603M outputs are disable. The device resumes to normal functional once  $V_{DD} \geq 2.0V$ .

### Short Circuit Protection (SCP)

The PAM8603M has short circuit protection circuitry on the outputs to prevent the device from damage when output-to-output or output-to-GND short. When a short circuit is detected on the outputs, the outputs are disable immediately. If the short was removed, the device activates again.

### Over Temperature Protection

Thermal protection on the PAM8603M prevents the device from damage when the internal die temperature exceeds 135°C. There is a 15 degree tolerance on this trip point from device to device. Once the die temperature exceeds the thermal set point, the device outputs are disabled. This is not a latched fault. The thermal fault is cleared once the temperature of the die is reduced by 30°C. This large hysteresis will prevent motor boating sound well. The device begins normal operation at this point without external system interaction.

### How to Reduce EMI (Electro Magnetic Interference)

A simple solution is to put an additional capacitor 1000µF at power supply terminal for power line coupling if the traces from amplifier to speakers are short (<20cm).

Most applications require a ferrite bead filter as shown at Figure 3. The ferrite filter reduces EMI of around 1 MHz and higher. When selecting a ferrite bead, choose one with high impedance at high frequencies, and low impedance at low frequencies (MH2012HM221-T).

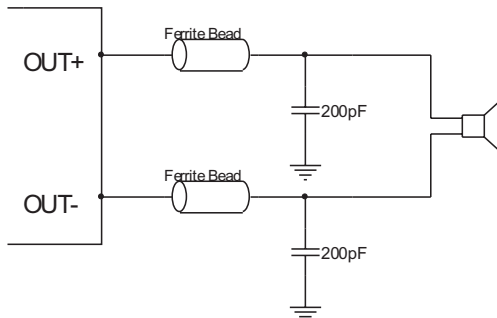


Figure 3: Ferrite Bead Filter to Reduce EMI

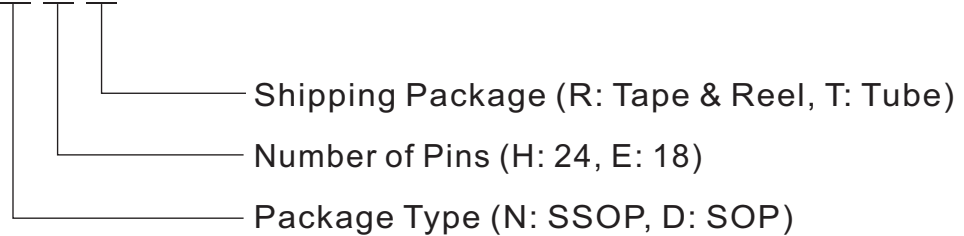
### PCB Layout Guidelines Grounding

At this stage it is paramount to notice the necessity of separate grounds. Noise currents in the output power stage need to be returned to output noise ground and nowhere else. Were these currents to circulate elsewhere, they may get into the power supply, the signal ground, etc, even worse, they may form a loop and radiate noise. Any of these cases results in degraded amplifier performance. The logical returns for the output noise currents associated with Class-D switching are the respective PGND pins for each channel. The switch state diagram illustrates that PGND is instrumental in nearly every switch state. This is the perfect point to which the output noise ground trace should return. Also note that output noise ground is channel specific. A two-channel amplifier has two separate channels and consequently must have two separate output noise ground traces. The layout of the PAM8603M offers separate PGND connections for each channel and in some cases each side of the bridge. Output noise grounds must be tied to system ground at the power exclusively. Signal currents for the inputs, reference, etc need to be returned to quiet ground. This ground is only tied to the signal components and the GND pin, and GND then tied to system ground.



### Ordering Information

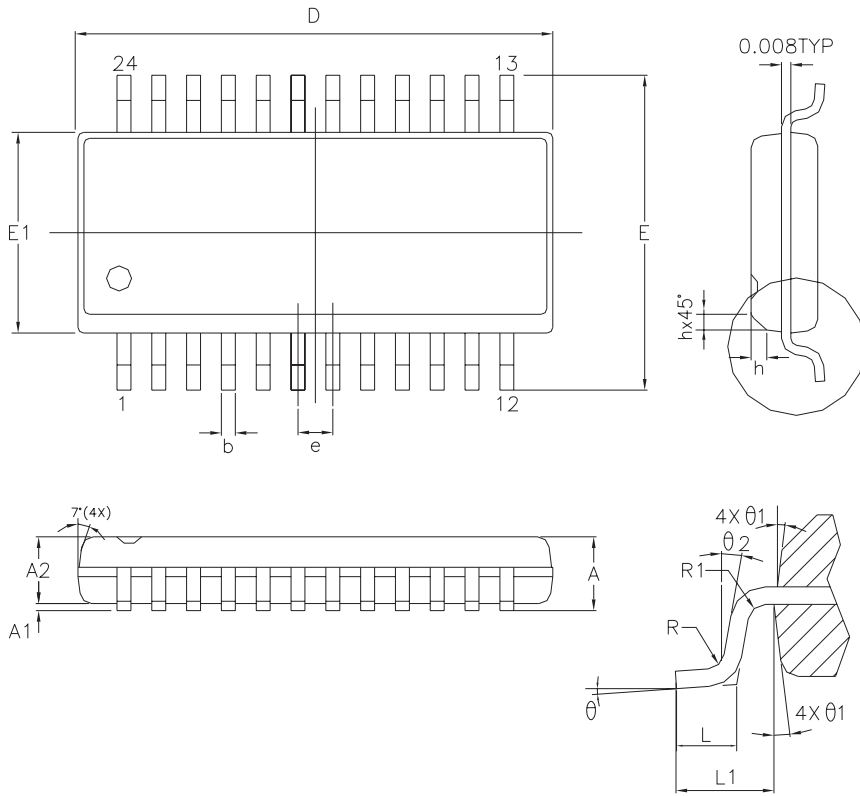
PAM8603M X X X



Part Number	Marking	Package Type	MOQ/Shipping Package
PAM8603MNHR	PAM8603M XXXYYWLL	SSOP-24	2,500 Units/Tape & Reel
PAM8603MDER	PAM8603M XXXYYWLL	SOP-18	1,000 Units/Tape & Reel
PAM8603MDET	PAM8603M XXXYYWLL	SOP-18	40 Units/Tube

## Outline Dimension

### SSOP-24

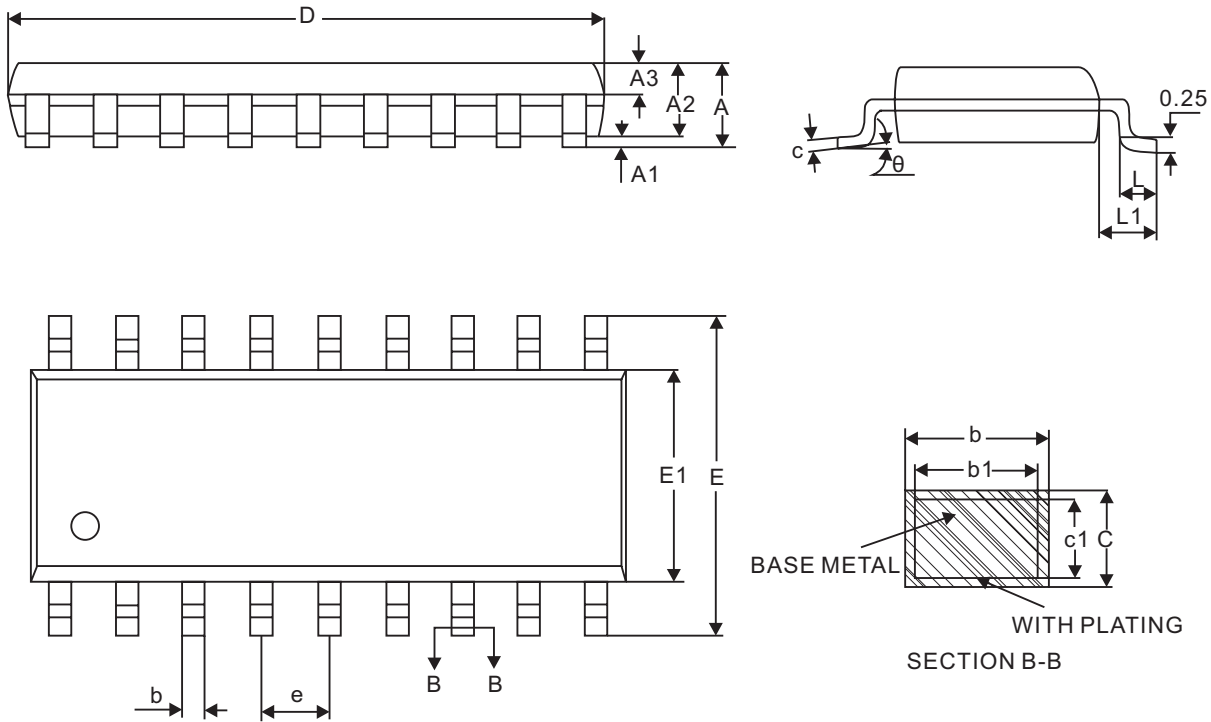


SYMBOLS	MIN.	NOM.	MAX.
A	0.053	0.061	0.069
A1	0.004	-	0.010
A2	0.049	0.057	0.065
b	0.008	0.010	0.012
D	0.335	0.341	0.347
E	0.228	0.236	0.244
E1	0.150	0.154	0.158
e	-	0.025	-
L	0.016	0.033	0.050
L1	0.041 REF		
R	0.003	-	-
R1	0.003	-	-
h	0.010	0.015	0.020
$\theta$	0°	4°	8°
$\theta_1$	5°	10°	15°
$\theta_2$	0°	-	-

UNIT : INCH

## Outline Dimension

### SOP-18



SYMBOL	MILLIMETER		
	MIN	NOM	MAX
A	-	-	2.70
A1	0.08	0.18	0.30
A2	2.10	2.30	2.50
A3	0.92	1.02	1.12
b	0.35	-	0.44
b1	0.34	0.37	0.39
c	0.26	-	0.31
c1	0.24	0.25	0.26
D	11.25	11.45	11.76
E	10.00	10.30	10.64
E1	7.30	7.50	7.70
e	1.27BSC		
L	0.70	0.85	1.00
L1	1.40BSC		
$\theta$	0°	-	8°

Компания «Океан Электроники» предлагает заключение долгосрочных отношений при поставках импортных электронных компонентов на взаимовыгодных условиях!

Наши преимущества:

- Поставка оригинальных импортных электронных компонентов напрямую с производств Америки, Европы и Азии, а так же с крупнейших складов мира;
- Широкая линейка поставок активных и пассивных импортных электронных компонентов (более 30 млн. наименований);
- Поставка сложных, дефицитных, либо снятых с производства позиций;
- Оперативные сроки поставки под заказ (от 5 рабочих дней);
- Экспресс доставка в любую точку России;
- Помощь Конструкторского Отдела и консультации квалифицированных инженеров;
- Техническая поддержка проекта, помощь в подборе аналогов, поставка прототипов;
- Поставка электронных компонентов под контролем ВП;
- Система менеджмента качества сертифицирована по Международному стандарту ISO 9001;
- При необходимости вся продукция военного и аэрокосмического назначения проходит испытания и сертификацию в лаборатории (по согласованию с заказчиком);
- Поставка специализированных компонентов военного и аэрокосмического уровня качества (Xilinx, Altera, Analog Devices, Intersil, Interpoint, Microsemi, Actel, Aeroflex, Peregrine, VPT, Syfer, Eurofarad, Texas Instruments, MS Kennedy, Miteq, Cobham, E2V, MA-COM, Hittite, Mini-Circuits, General Dynamics и др.);

Компания «Океан Электроники» является официальным дистрибьютором и эксклюзивным представителем в России одного из крупнейших производителей разъемов военного и аэрокосмического назначения «JONHON», а так же официальным дистрибьютором и эксклюзивным представителем в России производителя высокотехнологичных и надежных решений для передачи СВЧ сигналов «FORSTAR».



## JONHON

«JONHON» (основан в 1970 г.)

Разъемы специального, военного и аэрокосмического назначения:

(Применяются в военной, авиационной, аэрокосмической, морской, железнодорожной, горно- и нефтедобывающей отраслях промышленности)

«FORSTAR» (основан в 1998 г.)

ВЧ соединители, коаксиальные кабели, кабельные сборки и микроволновые компоненты:

(Применяются в телекоммуникациях гражданского и специального назначения, в средствах связи, РЛС, а так же военной, авиационной и аэрокосмической отраслях промышленности).



Телефон: 8 (812) 309-75-97 (многоканальный)

Факс: 8 (812) 320-03-32

Электронная почта: [ocean@oceanchips.ru](mailto:ocean@oceanchips.ru)

Web: <http://oceanchips.ru/>

Адрес: 198099, г. Санкт-Петербург, ул. Калинина, д. 2, корп. 4, лит. А