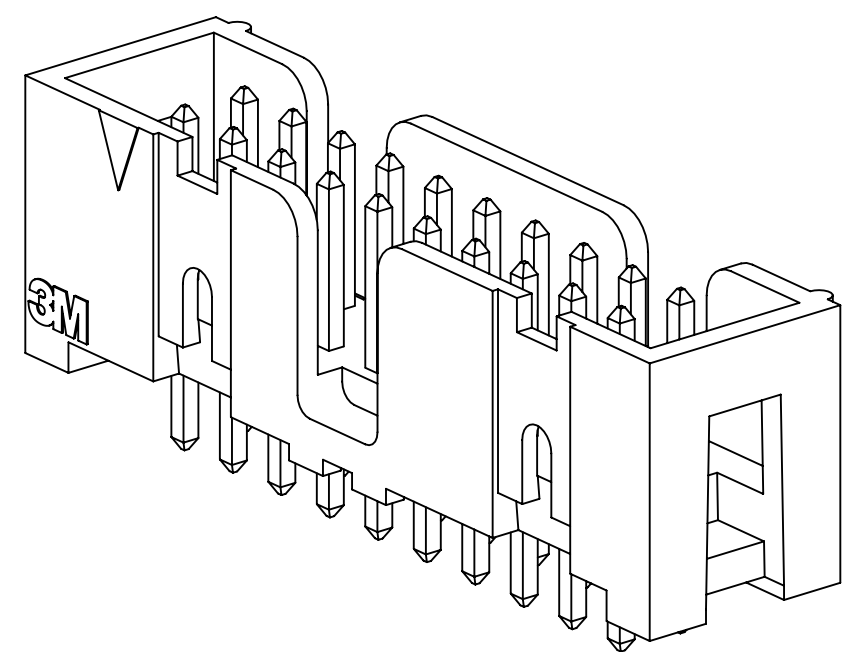
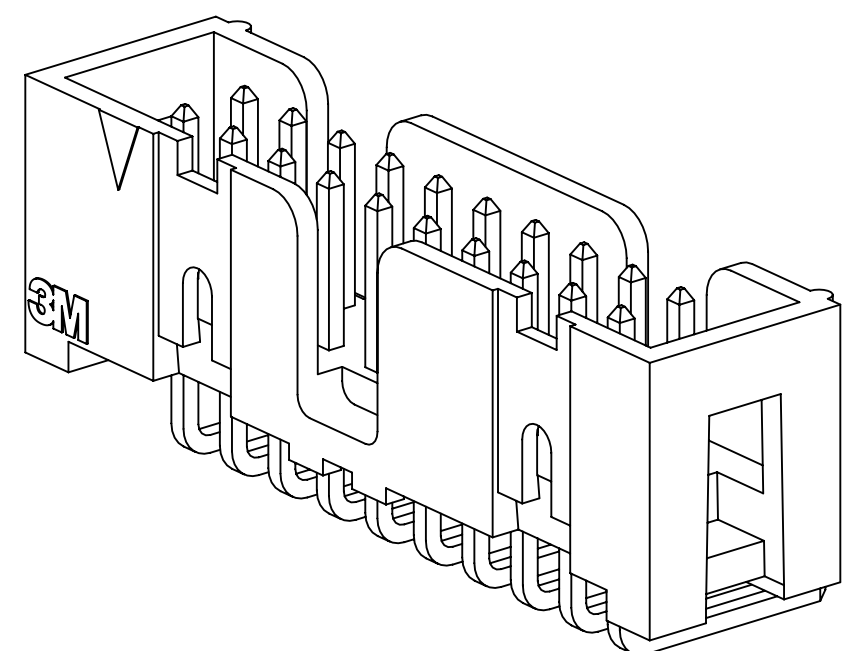


# 3M™ FOUR-WALL HEADER, 2500 SERIES

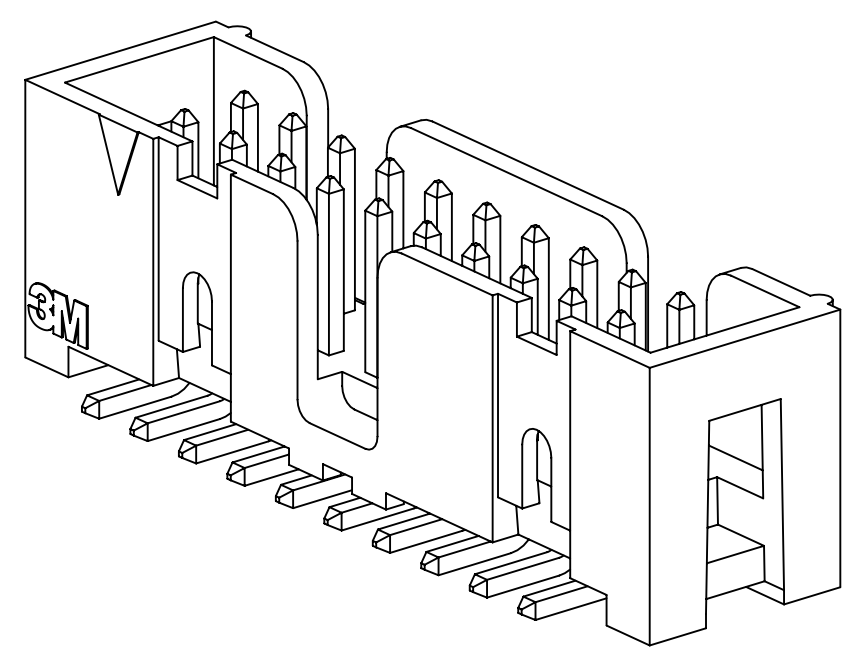
.100" X .100" LOW PROFILE, SURFACE MOUNT, STRAIGHT AND RIGHT ANGLE THROUGH-HOLE



25XX-60XX  
STRAIGHT VERSION



25XX-50XX  
RIGHT ANGLE VERSION



25XX-6VOC  
SURFACE MOUNT VERSION

- \* LOW PROFILE, SPACE SAVING DESIGN.
- \* CENTER SLOT POLARIZATION PREVENTS MIS-INSERTIONS AND REDUCES INSERTION TIME.
- \* DUAL SLOT POLARIZATION MEANS BROADER COMPATIBILITY WITH COMPETITIVE POLARIZATION DESIGNS (NOT AVAILABLE ON 6, 8 OR 10 POSITIONS).
- \* OPTIONAL RETAINER CLIP FOR LOCKING SOCKETS IN PLACE AND INCREASING CONNECTION RELIABILITY IN VIBRATION-PRONE ENVIRONMENTS.
- \* HIGH TEMPERATURE INSULATOR SUITABLE FOR "NO LEAD" SOLDERING OPERATIONS.
- \* THROUGH HOLE VERSION SUITABLE FOR REFLOW SOLDERING USING "PASTE IN HOLE" TECHNIQUES.
- \* EXPOSED SOLDER TAILS (ON RIGHT ANGLE VERSION) PROVIDE EASE OF CLEANING AND REDUCED REPAIR COST.
- \* STRAIGHT SURFACE MOUNT VERSION AVAILABLE.

## 2 PHYSICAL :

INSULATOR:  
MATERIAL: GLASS FILLED POLYESTER (PCT)  
FLAMMABILITY: UL94V-0  
COLOR: BLACK  
CONTACT:  
MATERIAL: COPPER ALLOY  
PLATING:  
UNDER PLATING: 100µ" (2.54µm) NICKEL-OVERALL  
WIPING AREA: AVG. GOLD (SEE ORDERING INFORMATION)  
SOLDER TAILS: 200µ" (5.08µm) TIN LEAD OR MATTE TIN (SEE ORDERING INFORMATION)  
MARKINGS: 3M LOGO, PART IDENTIFICATION NUMBER AND ORIENTATION TRIANGLE

## 2 ELECTRICAL :

CURRENT RATING: 5.00A, 1 CONTACT POWERED  
3.00A, 6 CONTACTS POWERED  
1.75A, ALL CONTACTS POWERED  
RATING CONDITIONS: EIA-364-070 METHOD 2, 30°C MAXIMUM TEMPERATURE RISE, 20% DERATED. REFERENCE APPROPRIATE 3M PRODUCT SPECIFICATION FOR DETAILED CURRENT DERATING CURVES.  
INSULATION RESISTANCE: >1 X 10<sup>9</sup>Ω AT 500 V<sub>DC</sub>  
WITHSTANDING VOLTAGE: 1,000V<sub>RMS</sub> AT SEA LEVEL

## 2 ENVIRONMENTAL :

TEMPERATURE RATING: -55°C TO 105°C  
PROCESS RATING: 260°C, PER J-STD-020C, SINGLE PASS  
MOISTURE SENSITIVITY LEVEL: 1 (PER J-STD-020C)

- NOTES
1. REGULATORY INFORMATION: ROHS COMPLIANT. SEE THE REGULATORY INFORMATION APPENDIX (RIA) IN THE "ROHS COMPLIANCE" SECTION OF WWW.3MCONNECTORS.COM FOR COMPLIANCE INFORMATION.
  2. IN THE EVENT OF CONFLICT BETWEEN THIS DATA AND THAT CONTAINED IN THE PRODUCT SPECIFICATION, THE PRODUCT SPECIFICATION TAKES PRECEDENT.
  3. NOTCHES A & C WILL ACCOMODATE 3M POLARIZING KEY: N3518.
  4. CONTACT TAILS .0245 (.622) WIRE WITH .0075 (.191) CORNER RADIUS AND .028 (.072) DIAGONAL.
  5. SOLDER STANDOFFS FACILITATE .01 (.3) CLEARANCE ABOVE BOARD FOR REFLOW SOLDERING.

3M ELECTRONIC MATERIALS SOLUTIONS DIVISION  
INTERCONNECT SOLUTIONS  
<http://www.3mconnectors.com>

3M IS A TRADEMARK OF 3M COMPANY.  
FOR TECHNICAL, SALES OR ORDERING  
INFORMATION CALL 800-225-5373

**3M**  
UL FILE NO: E68080

DIMENSIONS: INCHES [ MM ]  
[ MM ] IS REF. ONLY

|                        |                                 |   |      |                            |      |      |
|------------------------|---------------------------------|---|------|----------------------------|------|------|
| DESIGN REFERENCE       | NEXT ASSEMBLY                   | REV   | ECO  | ISSUE DATE AND DESCRIPTION | DRFT | CHKD |
| REV                    | ECO                             | ISSUE DATE AND DESCRIPTION  | DRFT | CHKD                       |      |      |
| DATE                   | DATE                            | DATE  | DATE | DATE                       |      |      |
| CHKD                   | APPR                            | DATE  | DATE | DATE                       |      |      |
|                        |                                 |   |      |                            |      |      |
| DIVISION               | DIVISION CODE                   | © 3M COPYRIGHT 2016<br>This document and the information it contains are 3M property and may not be reproduced or further distributed without 3M permission, or used or disclosed other than for 3M authorized purposes. All rights reserved. |      |                            |      |      |
| Interconnect Solutions | EMSD                            | 3M Center<br>St. Paul,<br>MN 55144  |      |                            |      |      |
| DO NOT SCALE DRAWING   | SCALE 4-1                       | TOLERANCES EXCEPT AS NOTED<br>INCHES<br>.0 ± .01<br>.000 ± .005<br>.0000 ±  |      |                            |      |      |
| THIRD ANGLE PROJECTION | INTERPRET PER ASME Y14.5 - 2009 | MILLIMETERS<br>0 ±<br>.0 ± .3<br>.00 ± .13<br>.000 ±  |      |                            |      |      |
| MAX SURFACE ROUGHNESS  | MARKED ONLY                     | CAGE NUMBER<br>DRAWING NO.<br>REV.  |      |                            |      |      |
|                        |                                 | MODEL<br>2500 SERIES<br>DET [ ] IS1s YES [ ] NO [ ] SHT 1 OF 5  |      |                            |      |      |

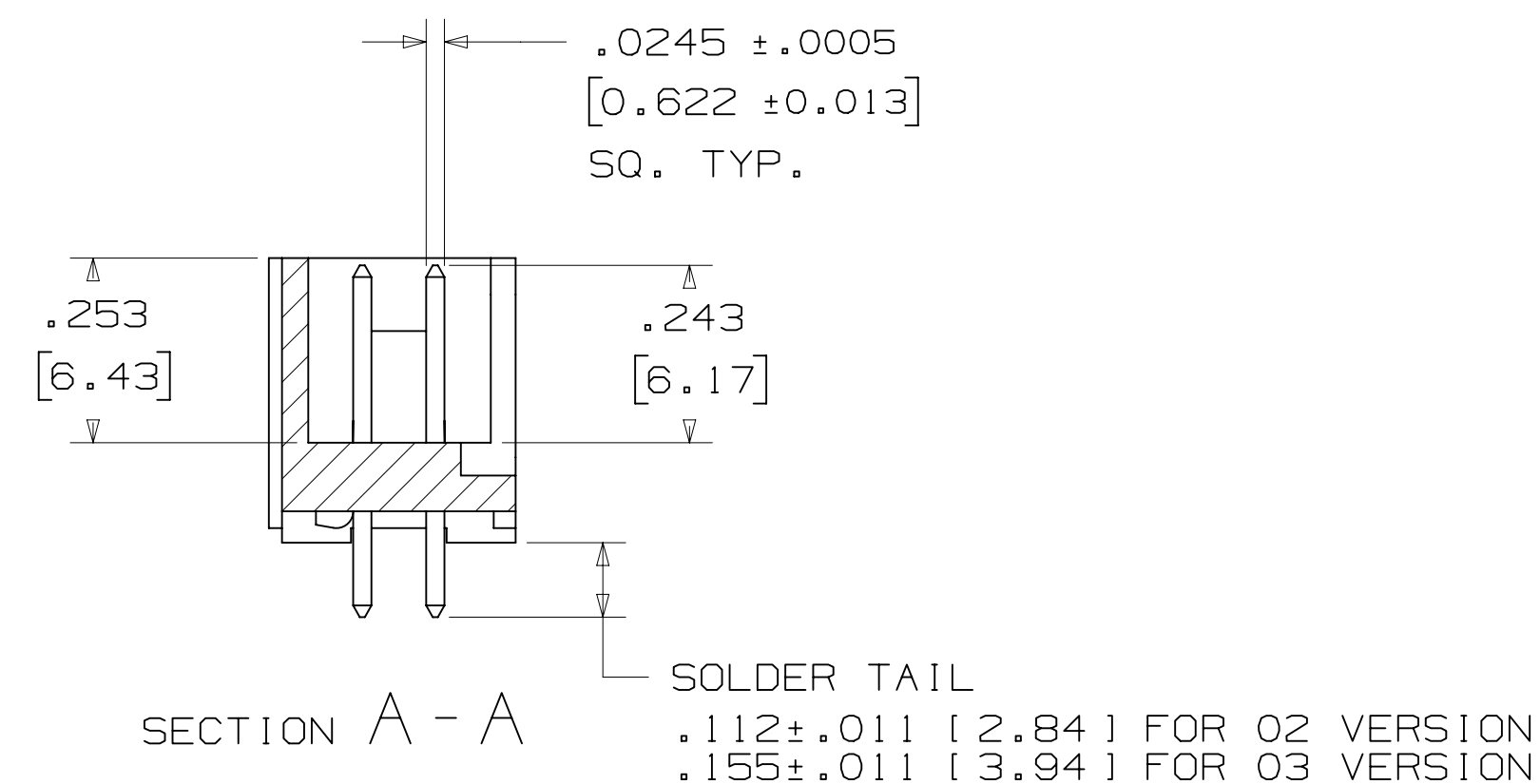
|      |       |                            |      |      |
|------|-------|----------------------------|------|------|
| N    | 68908 | AUG 02, 2016               | JNC  | SC   |
| M    | 56068 | AUG 11, 2014               | JNC  | RS   |
| REV  | ECO   | ISSUE DATE AND DESCRIPTION | DRFT | CHKD |
| DATE | DATE  | DATE                       | DATE | DATE |
| CHKD | APPR  | DATE                       | DATE | DATE |
|      |       |                            |      |      |

|             |   |
|-------------|---|
| TITLE       | HEADER, 4-WALL,<br>LO-PRO, .100 X .100,<br>SMT, STRAIGHT & RA |
| CAGE NUMBER | D 78-5100-0770-7  |
| REV.        | N   |
| MODEL       | 2500 SERIES   |
| DET         | [ ] IS1s YES [ ] NO [ ] SHT 1 OF 5                            |

N REVISION  
 78-5100-0770-7 DRAWING NUMBER  
 B  
 A  
 Imaged: N.1 B/5/2016 11:10 AM UTC-05:00

# 3M™ FOUR-WALL HEADER, 2500 SERIES

.100" X .100" LOW PROFILE, SURFACE MOUNT, STRAIGHT AND RIGHT ANGLE THROUGH-HOLE



| TABLE 1  |               |               |                    |          |
|----------|---------------|---------------|--------------------|----------|
| PIN QTY. | DIM. "A"      | DIM. "B"      | POLARIZING NOTCHES | PIN QTY. |
| 06       | .588 [14.94]  | .508 [12.90]  | B                  | 06       |
| 08       | .688 [17.48]  | .608 [15.44]  | B                  | 08       |
| 10       | .788 [20.02]  | .708 [17.98]  | BC                 | 10       |
| 14       | .988 [25.10]  | .908 [23.06]  | BCDE               | 14       |
| 16       | 1.088 [27.64] | 1.008 [25.60] | ABCDE              | 16       |
| 20       | 1.288 [32.72] | 1.208 [30.68] | ABCDE              | 20       |
| 24       | 1.488 [37.80] | 1.408 [35.76] | ABCDE              | 24       |
| 26       | 1.588 [40.34] | 1.508 [38.30] | ABCDE              | 26       |
| 30       | 1.788 [45.42] | 1.708 [43.38] | ABCDE              | 30       |
| 34       | 1.988 [50.50] | 1.908 [48.46] | ABCDE              | 34       |
| 36       | 2.088 [53.04] | 2.008 [51.00] | ABCDE              | 36       |
| 40       | 2.288 [58.12] | 2.208 [56.08] | ABCDE              | 40       |
| 50       | 2.788 [70.82] | 2.708 [68.78] | ABCDE              | 50       |
| 60       | 3.288 [83.52] | 3.208 [81.48] | ABCDE              | 60       |
| 64       | 3.488 [88.60] | 3.408 [86.56] | ABCDE              | 64       |

## ORDERING INFORMATION STRAIGHT VERSION

X25XX-60XX-XX

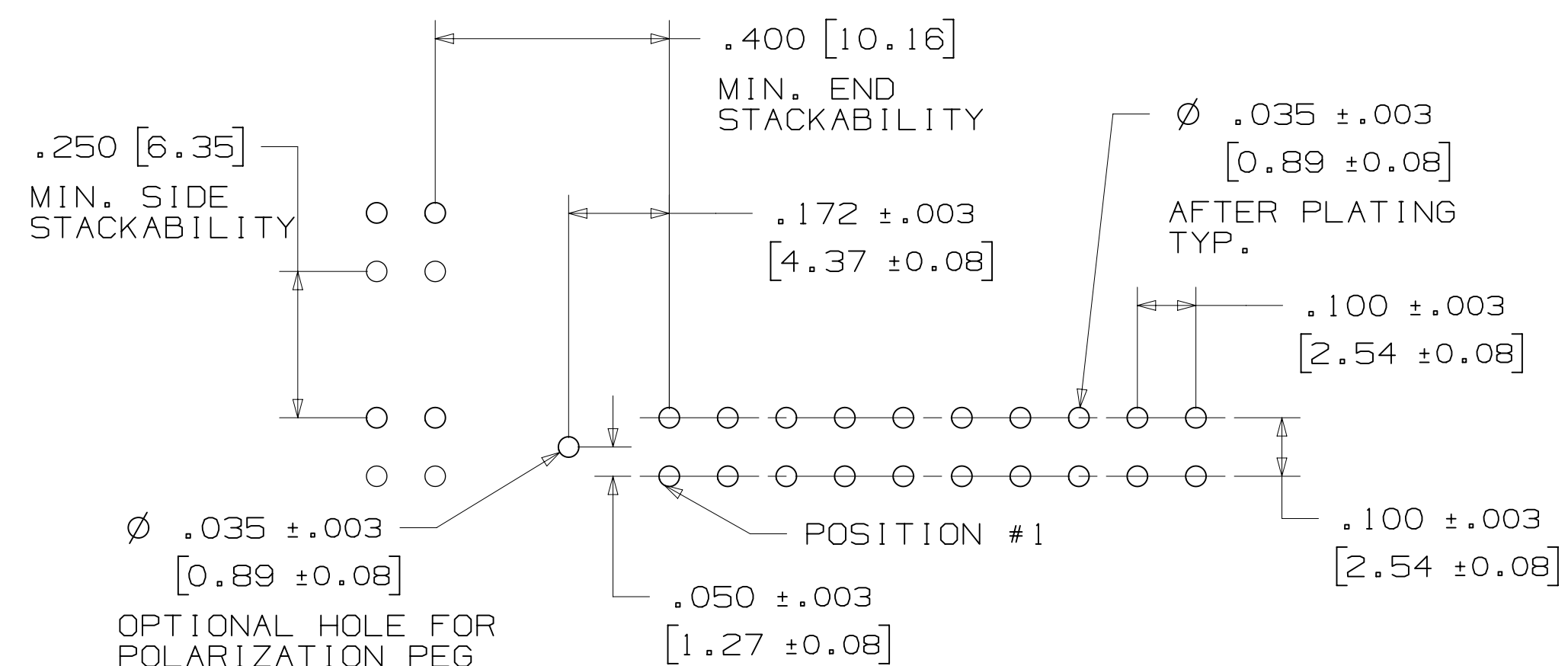
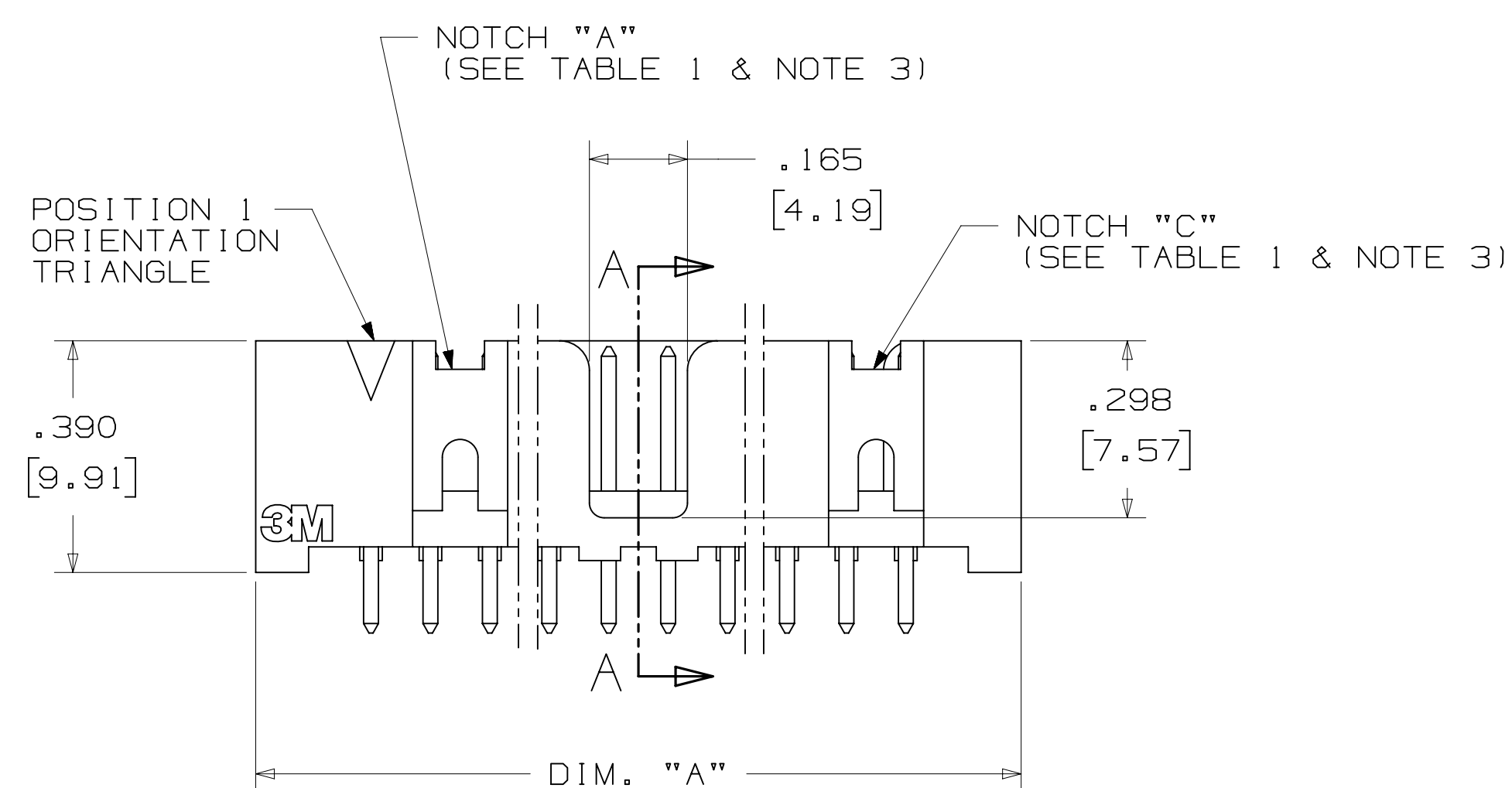
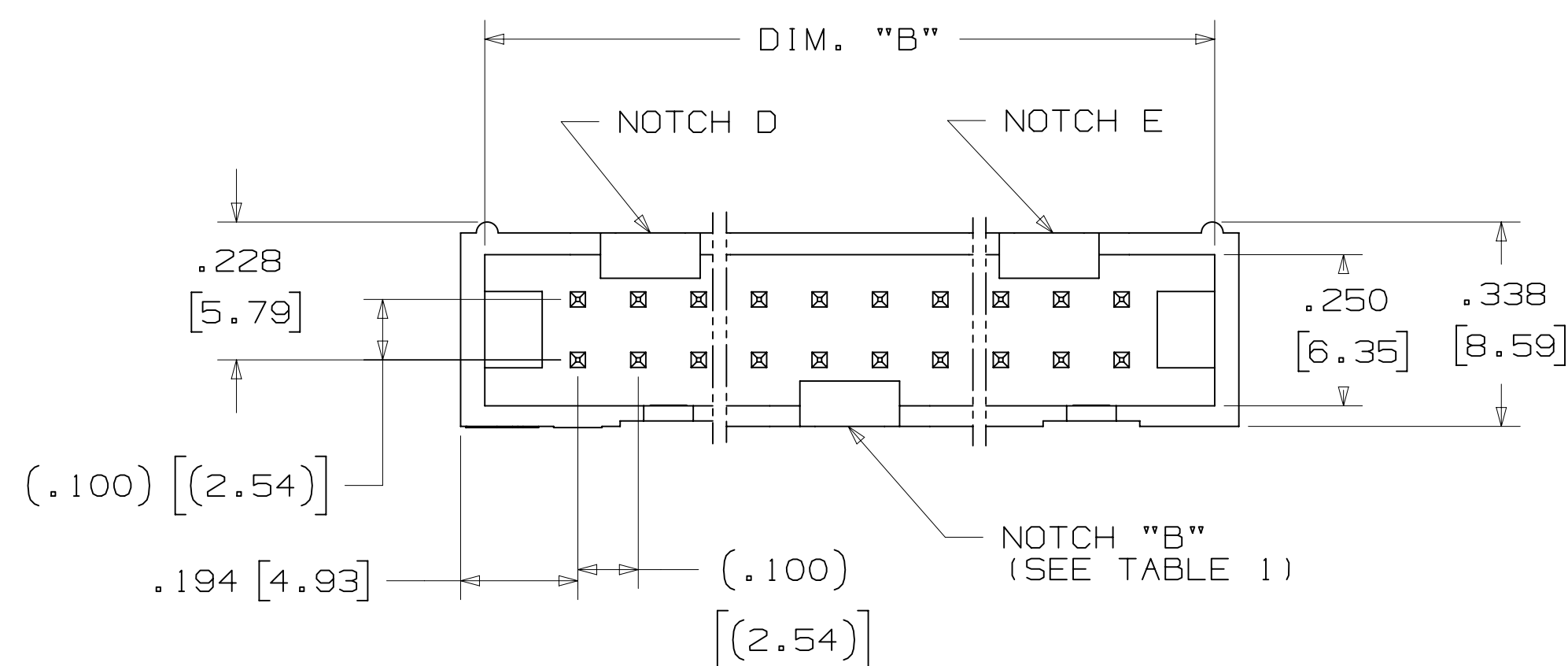
N = HIGH TEMP BLACK (PCT)  
(RB, UB OR UG PLATING REQ'D)  
BLANK = (UB OR UG PLATING)

PIN QUANTITY:  
(SEE TABLE 1)

SOLDER TAIL:  
02 = FOR .062 [1.57] THICK BOARD  
03 = FOR .094 TO .125 [2.39 TO 3.18]  
THICK BOARD

### PLATING:

RB = 30μ" [0.76μm] AVG. GOLD  
200μ" [5.08μm] MATTE TIN (RIA, E1 & C1 APPLY)  
UG = 15μ" [0.38μm] AVG. GOLD  
200μ" [5.08μm] 60:40 TIN-LEAD SOLDER TAILS  
(RIA E3 & C2 APPLY)  
UB = 30μ" [0.76μm] AVG. GOLD  
200μ" [5.08μm] 60:40 TIN LEAD SOLDER TAILS  
(RIA E3 & C2 APPLY)



## RECOMMENDED HOLE PATTERN SHOWN FROM COMPONENT SIDE

|                        |                                 |  |     |                            |      |      |
|------------------------|---------------------------------|--|-----|----------------------------|------|------|
| DESIGN REFERENCE       | NEXT ASSEMBLY                   | REV  | ECO | ISSUE DATE AND DESCRIPTION | DRFT | CHKD |
| Interconnect Solutions | EMSD                            |  |     | AUG 11, 2014               |      |      |
| DO NOT SCALE DRAWING   | SCALE: 4/1                      | TOLERANCES EXCEPT AS NOTED                                     |     |                            |      |      |
| THIRD ANGLE PROJECTION | INTERPRET PER ASME Y14.5 - 2009 | MILLIMETERS  |     |                            |      |      |
| MAX SURFACE ROUGHNESS  | MARKED ONLY                     | INCHES   |     |                            |      |      |
|                        |                                 | TITLE: HEADER, 4-WALL, LO-PRO, .100 X .100, SMT, STRAIGHT & RA |     |                            |      |      |
|                        |                                 | CAGE NUMBER: D78-5100-0770-7                                   |     |                            |      |      |
|                        |                                 | MODEL: 2500 SERIES   |     |                            |      |      |
|                        |                                 | REV. N   |     |                            |      |      |
|                        |                                 | SHEET 2 OF 5   |     |                            |      |      |

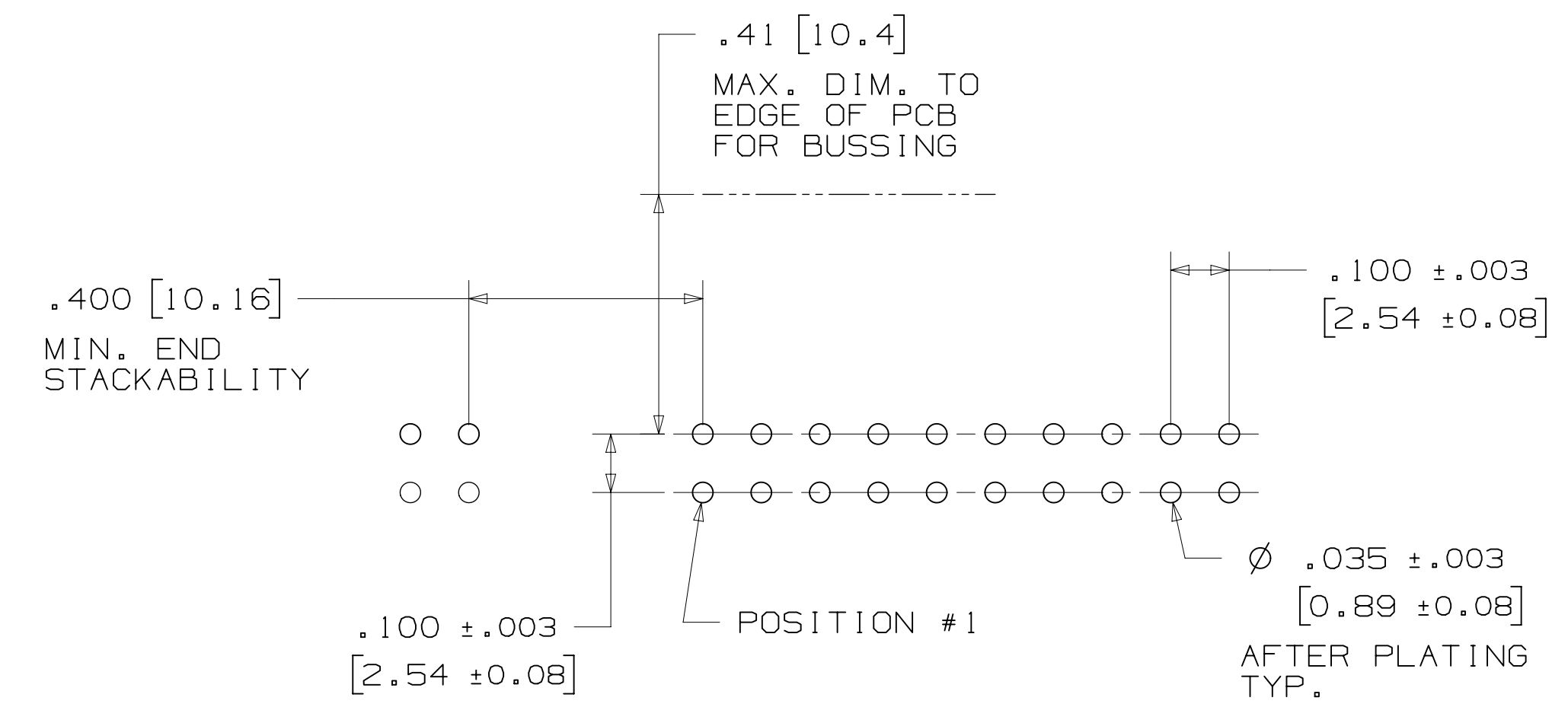
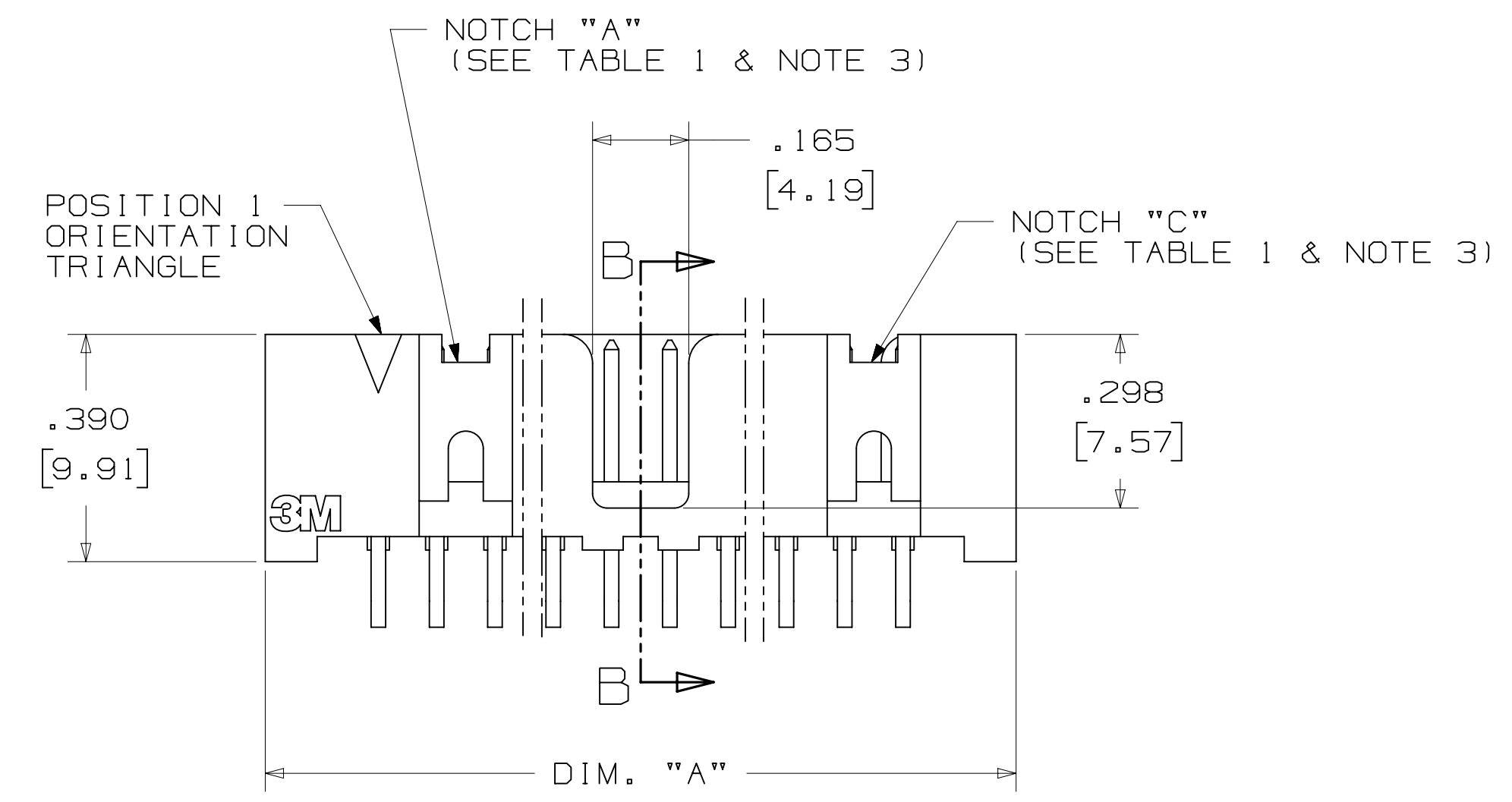
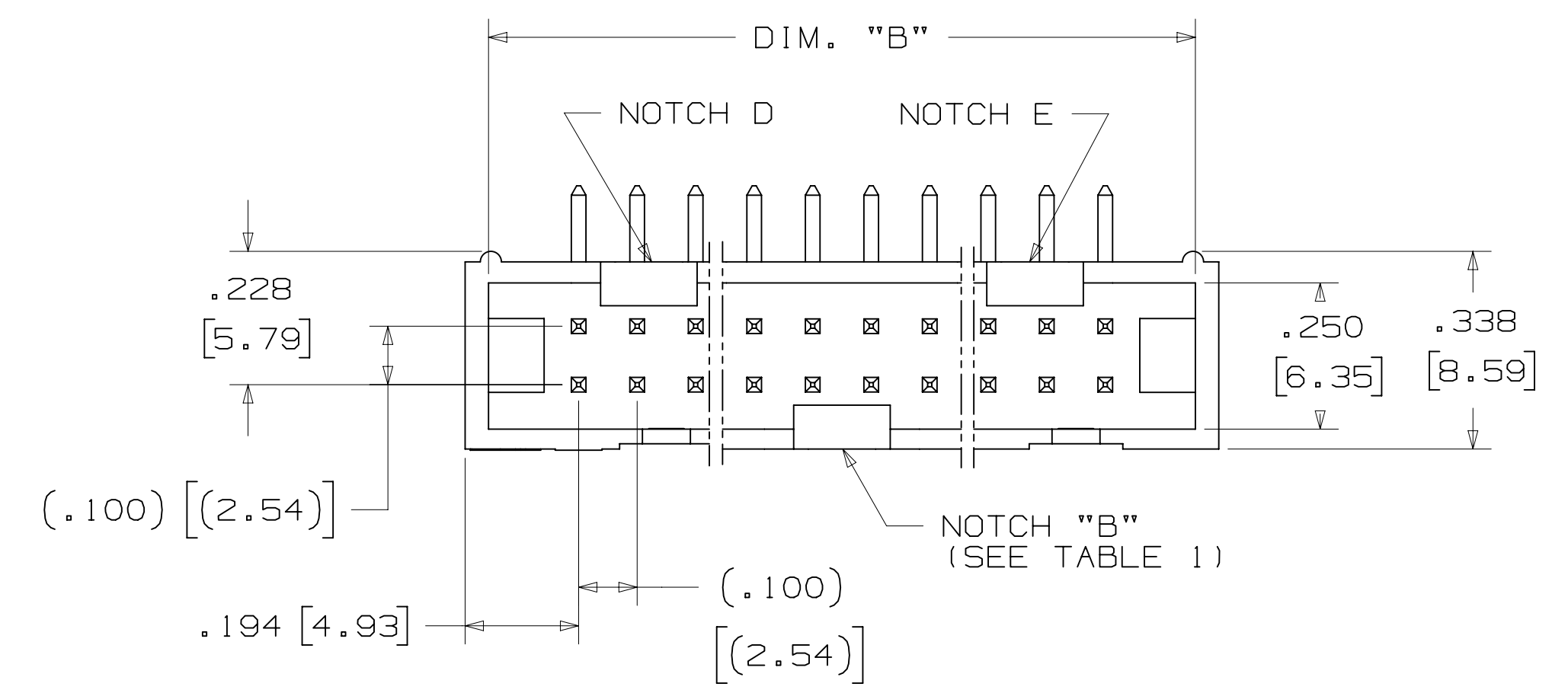
78-5100-0770-7 DRAWING NUMBER  
REV. N  
11:10 AM UTC-05:00  
Imaged: N.1 8/5/2016

3M™ FOUR-WALL HEADER, 2500 SERIES  
 .100" X .100" LOW PROFILE, SURFACE MOUNT, STRAIGHT AND RIGHT ANGLE THROUGH-HOLE



TABLE 1

| PIN QTY. | DIM. "A"      | DIM. "B"      | POLARIZING NOTCHES | PIN QTY. |
|----------|---------------|---------------|--------------------|----------|
| 06       | .588 [14.94]  | .508 [12.90]  | B                  | 06       |
| 08       | .688 [17.48]  | .608 [15.44]  | B                  | 08       |
| 10       | .788 [20.02]  | .708 [17.98]  | BC                 | 10       |
| 14       | .988 [25.10]  | .908 [23.06]  | BCDE               | 14       |
| 16       | 1.088 [27.64] | 1.008 [25.60] | ABCDE              | 16       |
| 20       | 1.288 [32.72] | 1.208 [30.68] | ABCDE              | 20       |
| 24       | 1.488 [37.80] | 1.408 [35.76] | ABCDE              | 24       |
| 26       | 1.588 [40.34] | 1.508 [38.30] | ABCDE              | 26       |
| 30       | 1.788 [45.42] | 1.708 [43.38] | ABCDE              | 30       |
| 34       | 1.988 [50.50] | 1.908 [48.46] | ABCDE              | 34       |
| 36       | 2.088 [53.04] | 2.008 [51.00] | ABCDE              | 36       |
| 40       | 2.288 [58.12] | 2.208 [56.08] | ABCDE              | 40       |
| 50       | 2.788 [70.82] | 2.708 [68.78] | ABCDE              | 50       |
| 60       | 3.288 [83.52] | 3.208 [81.48] | ABCDE              | 60       |
| 64       | 3.488 [88.60] | 3.408 [86.56] | ABCDE              | 64       |



ORDERING INFORMATION  
 RIGHT ANGLE VERSION

X25XX-50XX-XX

N= HIGH TEMP BLACK (PCT) (RB, UB OR UG PLATING REQ'D)  
 BLANK= (UB OR UG PLATING)

PLATING:  
 RB = 30µ" [0.76µm] AVG. GOLD  
 200µ" [5.08µm] MATTE TIN (RIA, E1 & C1 APPLY)  
 UG = 15µ" [0.38µm] AVG. GOLD  
 200µ" [5.08µm] 60:40 TIN-LEAD SOLDER TAILS (RIA E3 & C2 APPLY)  
 UB = 30µ" [0.76µm] AVG. GOLD  
 200µ" [5.08µm] 60:40 TIN LEAD SOLDER TAILS (RIA E3 & C2 APPLY)

PIN QUANTITY: (SEE TABLE 1)  
 SOLDER TAIL:  
 02 = FOR .062 [1.57] THICK BOARD  
 03 = FOR .094 TO .125 [2.39 TO 3.18] THICK BOARD

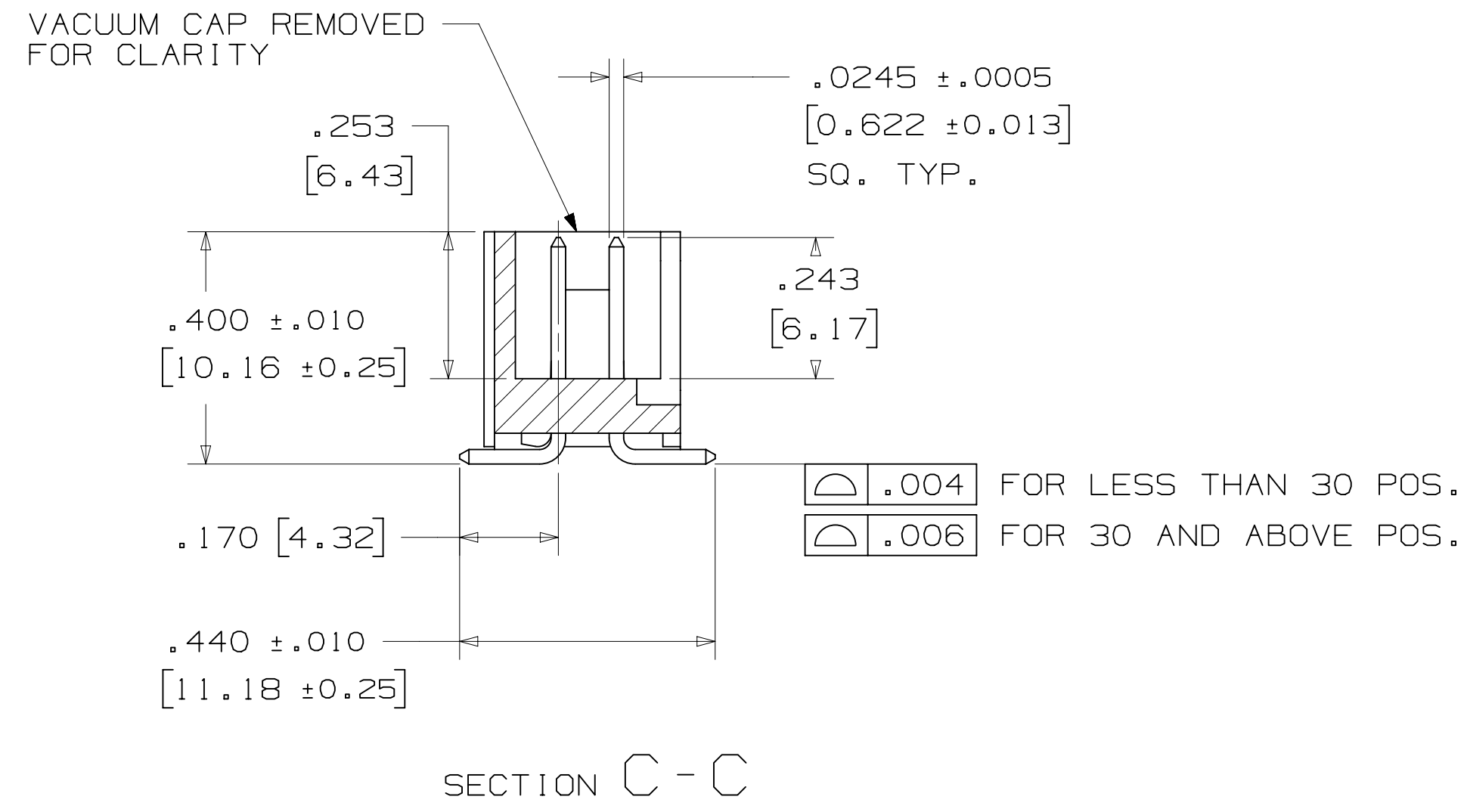
RECOMMENDED HOLE PATTERN  
 SHOWN FROM COMPONENT SIDE

|                                     |               |  |     |                            |      |      |
|-------------------------------------|---------------|--|-----|----------------------------|------|------|
| DESIGN REFERENCE                    | NEXT ASSEMBLY | REV  | ECO | ISSUE DATE AND DESCRIPTION | DRFT | CHKD |
|                                     |               |  |     |                            |      |      |
| DIVISION: Interconnect Solutions    |               | DIVISION CODE: EMSD                        |     | DATE: AUG 11, 2014         |      |      |
| SCALE: 4/1                          |               | TOLERANCES EXCEPT AS NOTED                 |     | DATE: SEP 05, 2014         |      |      |
| THIRD ANGLE PROJECTION              |               | INCHES: .00 ±.01, .000 ±.005, .0000 ±      |     | DATE: SEP 05, 2014         |      |      |
| INTERPRET PER ASME Y14.5 - 2009     |               | MILLIMETERS: 0 ±, .0 ±.3, .00 ±.13, .000 ± |     | DATE: SEP 05, 2014         |      |      |
| MAX SURFACE ROUGHNESS: 125 SURFACES |               | MARKED ONLY                                |     | DATE: SEP 05, 2014         |      |      |
| CAGE NUMBER: D78-5100-0770-7        |               | SIZE: 2500 SERIES                          |     | DATE: SEP 05, 2014         |      |      |
| DRAWING NO. 78-5100-0770-7          |               | REV. N                                     |     | DATE: SEP 05, 2014         |      |      |
| SHEET 3 OF 5                        |               | SHT 3 OF 5                                 |     | DATE: SEP 05, 2014         |      |      |

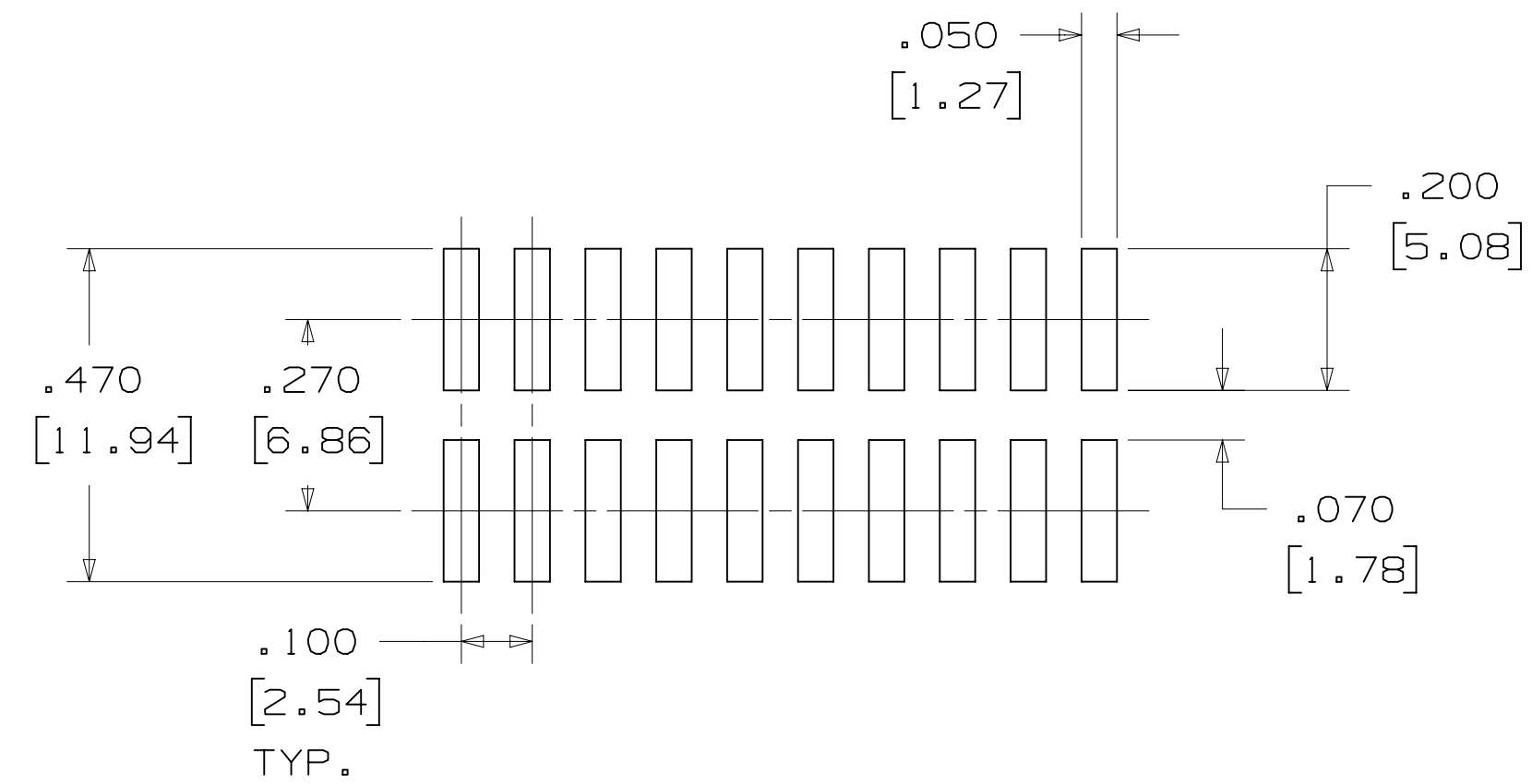
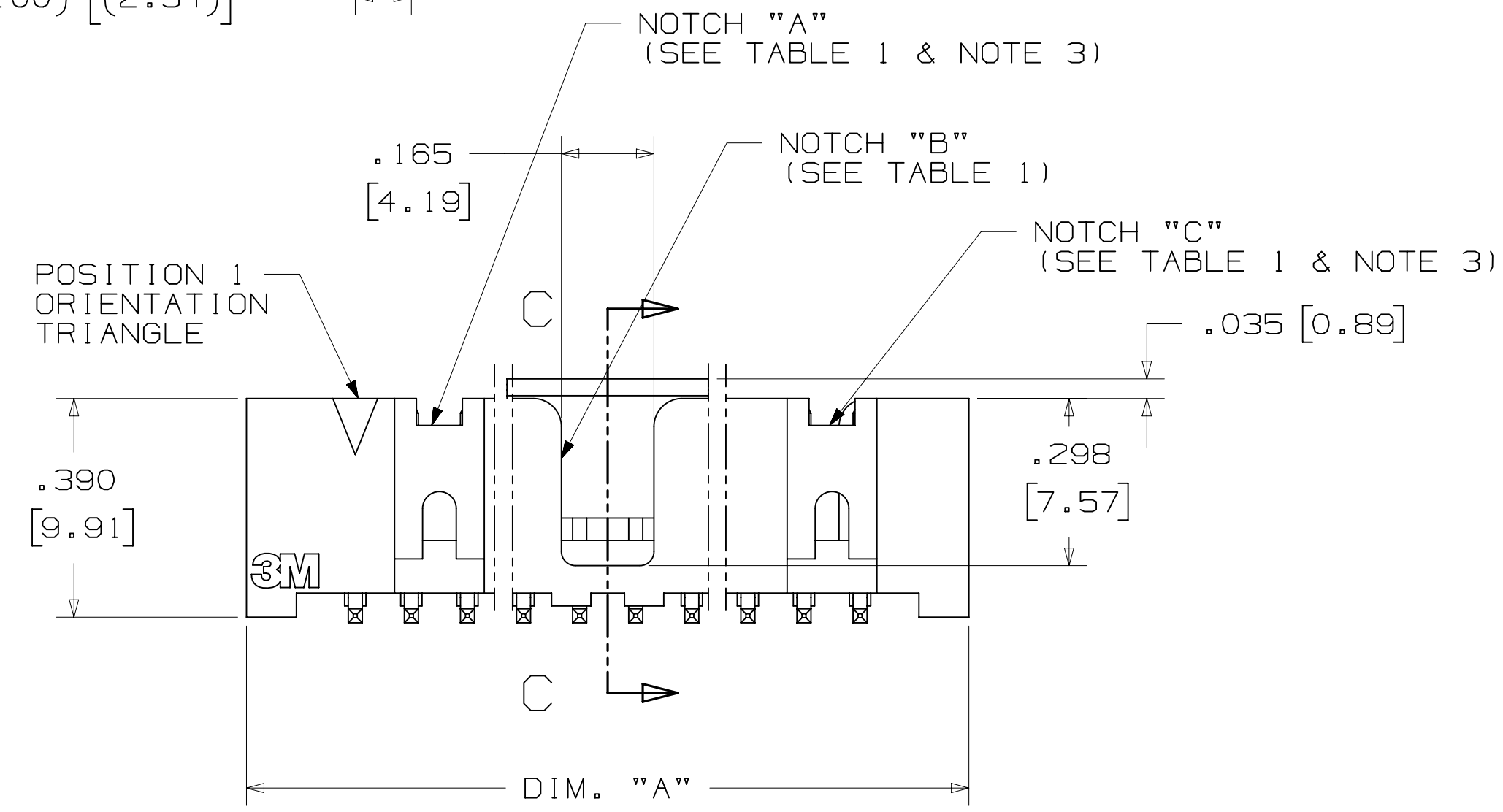
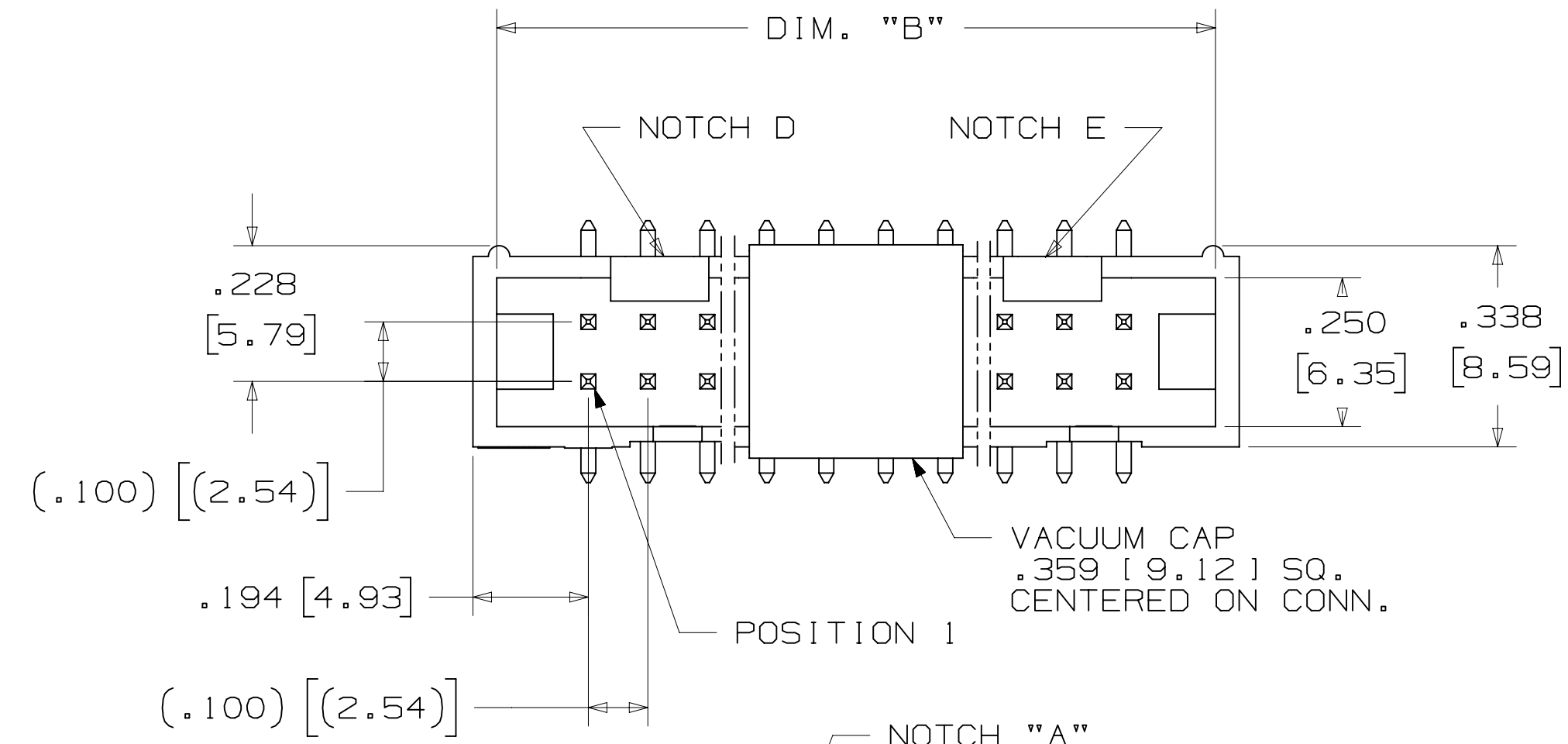
3M Center St. Paul, MN 55144  
 © 3M COPYRIGHT 2016  
 This document and the information it contains are 3M property and may not be reproduced or further distributed without 3M permission, or used or disclosed other than for 3M authorized purposes. All rights reserved.

HEADER, 4-WALL, LO-PRO, .100 X .100, SMT, STRAIGHT & RA

3M™ FOUR-WALL HEADER, 2500 SERIES  
 .100" X .100" LOW PROFILE, SURFACE MOUNT, STRAIGHT AND RIGHT ANGLE THROUGH-HOLE



| TABLE 1  |               |               |                    |                        |          |
|----------|---------------|---------------|--------------------|------------------------|----------|
| PIN QTY. | DIM. "A"      | DIM. "B"      | POLARIZING NOTCHES | TAPE AND REEL PKG CODE | PIN QTY. |
| 06       | .588 [14.94]  | .508 [12.90]  | B                  | WD (44 MM)             | 06       |
| 08       | .688 [17.48]  | .608 [15.44]  | B                  | WD (44 MM)             | 08       |
| 10       | .788 [20.02]  | .708 [17.98]  | BC                 | WD (44 MM)             | 10       |
| 14       | .988 [25.10]  | .908 [23.06]  | BCDE               | WD (44 MM)             | 14       |
| 16       | 1.088 [27.64] | 1.008 [25.60] | ABCDE              | WD (44 MM)             | 16       |
| 20       | 1.288 [32.72] | 1.208 [30.68] | ABCDE              | WE (56 MM)             | 20       |
| 24       | 1.488 [37.80] | 1.408 [35.76] | ABCDE              | WE (56 MM)             | 24       |
| 26       | 1.588 [40.34] | 1.508 [38.30] | ABCDE              | WE (56 MM)             | 26       |
| 30       | 1.788 [45.42] | 1.708 [43.38] | ABCDE              | WF (72 MM)             | 30       |
| 34       | 1.988 [50.50] | 1.908 [48.46] | ABCDE              | WF (72 MM)             | 34       |
| 36       | 2.088 [53.04] | 2.008 [51.00] | ABCDE              | WG (88 MM)             | 36       |
| 40       | 2.288 [58.12] | 2.208 [56.08] | ABCDE              | WG (88 MM)             | 40       |
| 50       | 2.788 [70.82] | 2.708 [68.78] | ABCDE              | WG (88 MM)             | 50       |
| 60       | 3.288 [83.52] | 3.208 [81.48] | ABCDE              | WH (120 MM)            | 60       |
| 64       | 3.488 [88.60] | 3.408 [86.56] | ABCDE              | WH (120 MM)            | 64       |



ORDERING INFORMATION  
 SURFACE MOUNT VERSION

N25XX-6VOC-XX-XX

N = HIGH TEMP BLACK (PCT)  
 (RB PLATING REQ'D)

PIN QUANTITY:  
 (SEE TABLE 1)

PACKAGING OPTIONS:  
 WX = TAPE & REEL PACKAGING (SEE TABLE 1)

PLATING:  
 RB = 30μ" [0.76μm] AVG. GOLD  
 200μ" [5.08μm] MATTE TIN (RIA, E1 & C1 APPLY)

RECOMMENDED PAD LAYOUT

|                                  |               |   |     |  |      |      |
|----------------------------------|---------------|---|-----|--|------|------|
| DESIGN REFERENCE                 | NEXT ASSEMBLY | REV   | ECO | ISSUE DATE AND DESCRIPTION                   | DRFT | CHKD |
|                                  |               |   |     | AUG 11, 2014                                 |      |      |
| DIVISION: Interconnect Solutions |               | DIVISION CODE: EMSD                         |     | DATE: AUG 11, 2014                           |      |      |
| DO NOT SCALE DRAWING             |               | SCALE: 4/1                                  |     | TOLERANCES EXCEPT AS NOTED                   |      |      |
| THIRD ANGLE PROJECTION           |               | INCHES: .00 ± .01, .000 ± .005, .0000 ±     |     | MILLIMETERS: 0 ±, .0 ± .3, .00 ± .13, .000 ± |      |      |
| INTERPRET PER ASME Y14.5 - 2009  |               | MAX SURFACE ROUGHNESS: SURFACES MARKED ONLY |     | CAGE NUMBER: D78-5100-0770-7                 |      |      |
|                                  |               |   |     | MODEL: 2500 SERIES                           |      |      |
|                                  |               |   |     | DATE: SEP 05, 2014                           |      |      |
|                                  |               |   |     | REV. N                                       |      |      |

3M Center St. Paul, MN 55144

© 3M COPYRIGHT 2016. This document and the information it contains are 3M property and may not be reproduced or further distributed without 3M permission, or used or disclosed other than for 3M authorized purposes. All rights reserved.

HEADER, 4-WALL, LO-PRO, .100 X .100, SMT, STRAIGHT & RA

REV. N

SHT 4 OF 5

DRAWING NUMBER: 78-5100-0770-7

REVISION: N

DATE: AUG 11, 2014

DRAWN: R. SCHERER

CHECKED: R. SCHERER

DATE: SEP 05, 2014

CAGE NUMBER: D78-5100-0770-7

MODEL: 2500 SERIES

DATE: SEP 05, 2014

REV. N

SHT 4 OF 5

3M™ FOUR-WALL HEADER, 2500 SERIES  
 .100" X .100" LOW PROFILE, SURFACE MOUNT, STRAIGHT AND RIGHT ANGLE THROUGH-HOLE

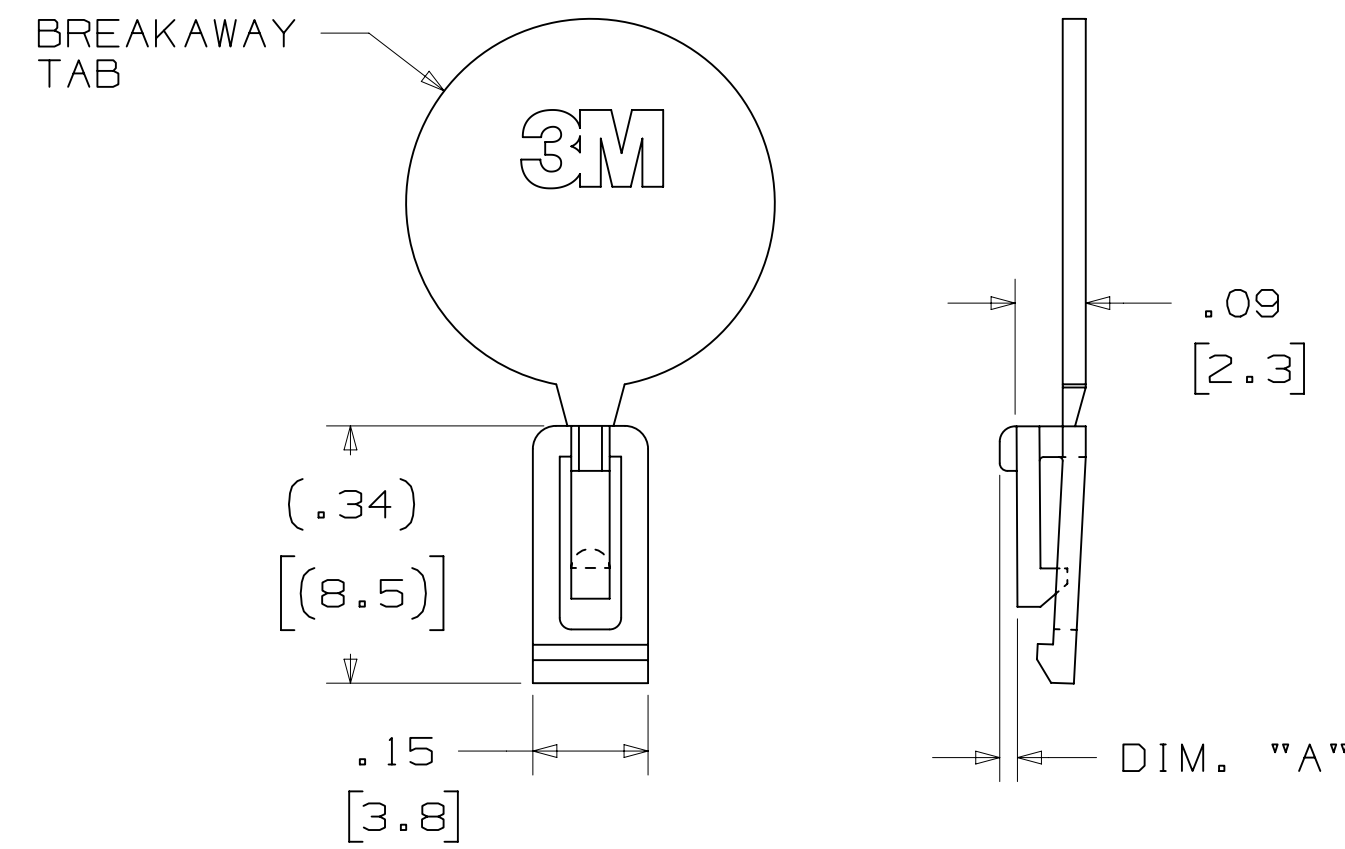
PART CUSTOMIZATION

THIS SPEC SHEET DETAILS OUR STANDARD OFFERING.

3M HAS SEVERAL CAPABILITIES THAT CAN PROVIDE A PART TAILORED TO YOUR SPECIFIC NEEDS. ASK YOUR 3M SALES REPRESENTATIVE OR CUSTOMER SERVICE FOR MORE DETAILS.

- \* SELECTIVE PIN REMOVAL (FOR BOARD ASSEMBLY POLARIZATION).
- \* DIFFERENT PIN LENGTHS.

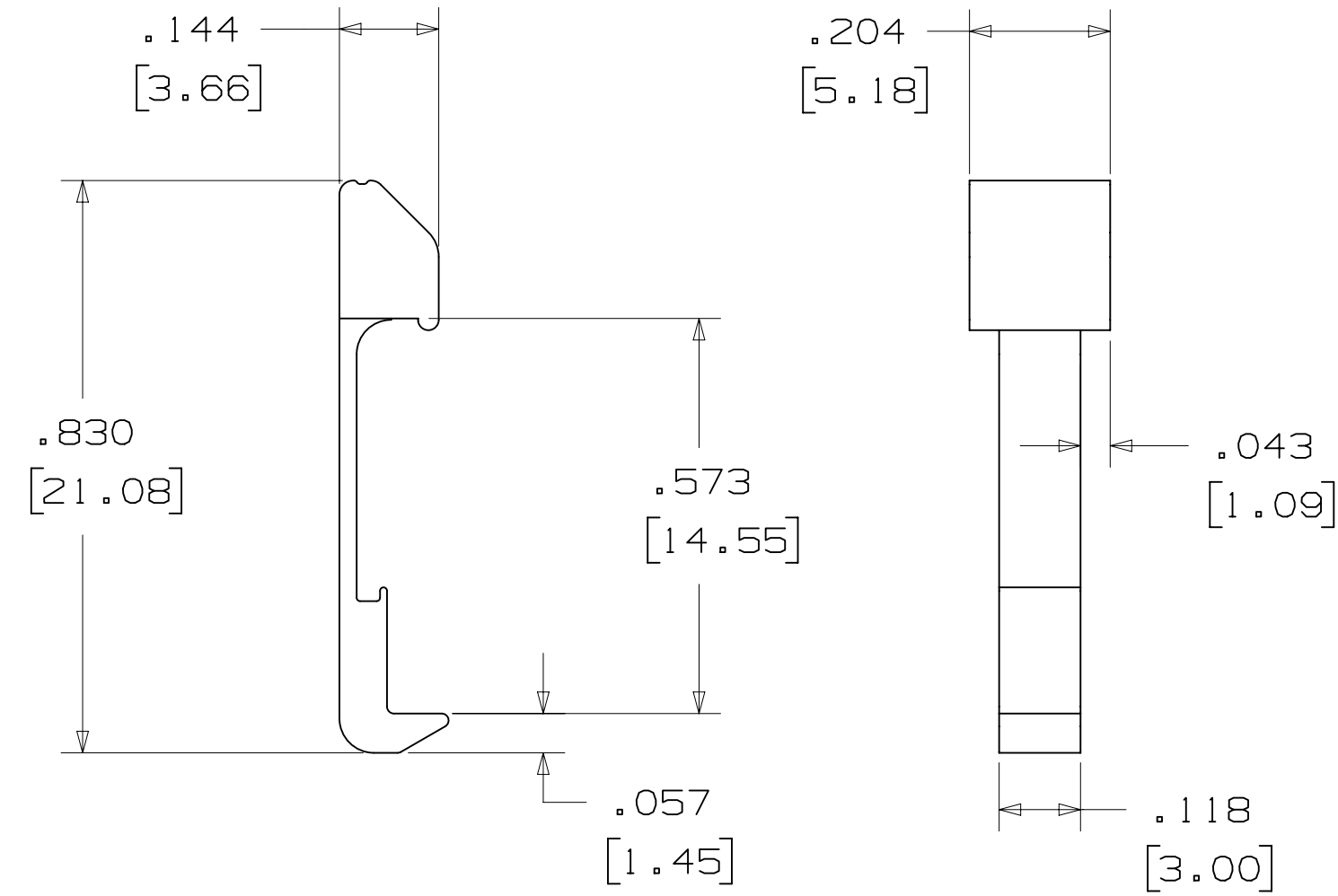
POLARIZING KEY



| 3M PART NO. | MATERIAL | COLOR | DIM. "A" |
|-------------|----------|-------|----------|
| N3518       | LCP      | BLACK | .02      |

NOTE:  
 #2216 B/A SCOTCHWELD CAN BE USED TO ADHERE KEYS.

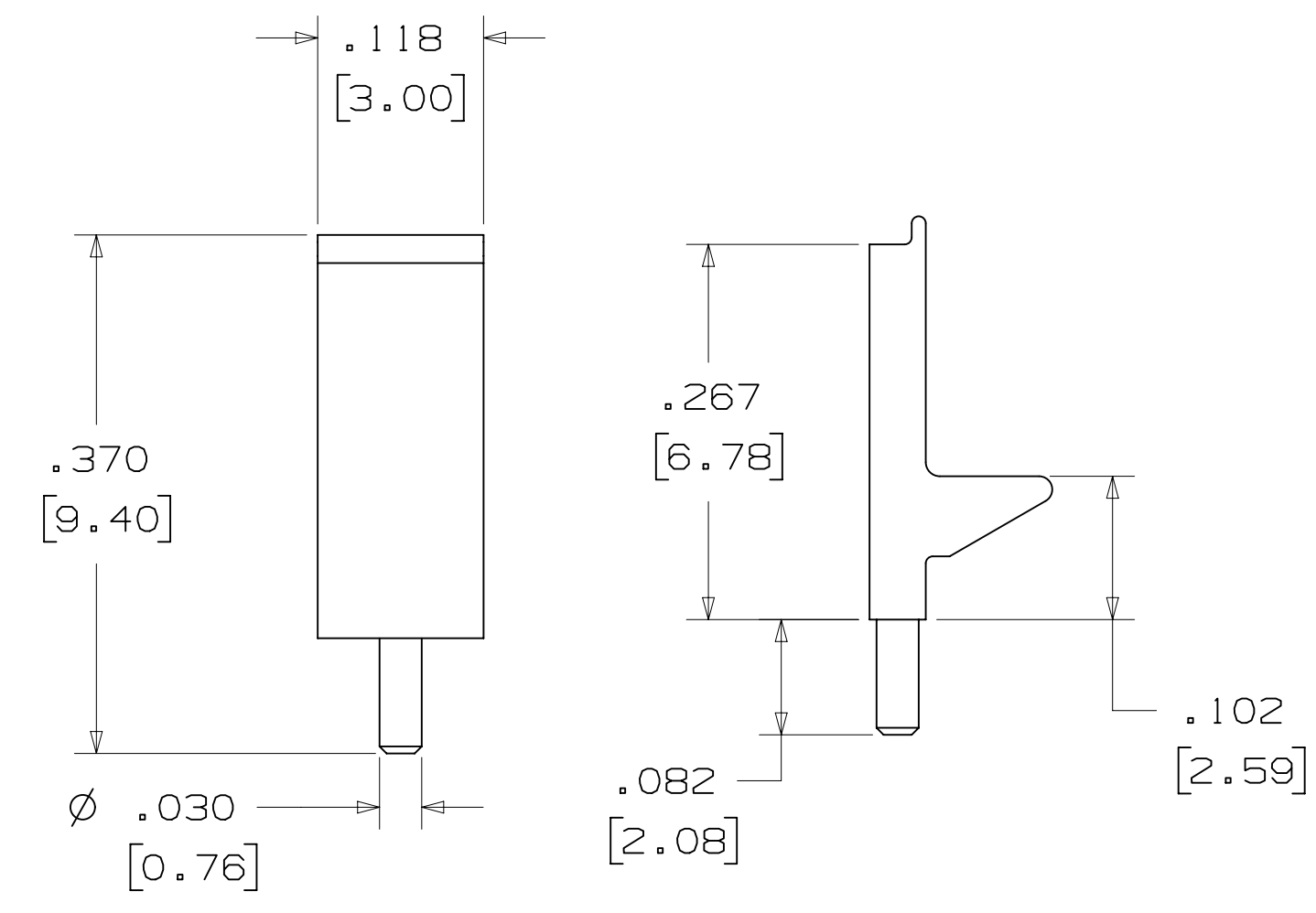
LOW PROFILE LATCH



| PART NO. | MATERIAL | COLOR |
|----------|----------|-------|
| 3505-33B | NYLON    | BLACK |

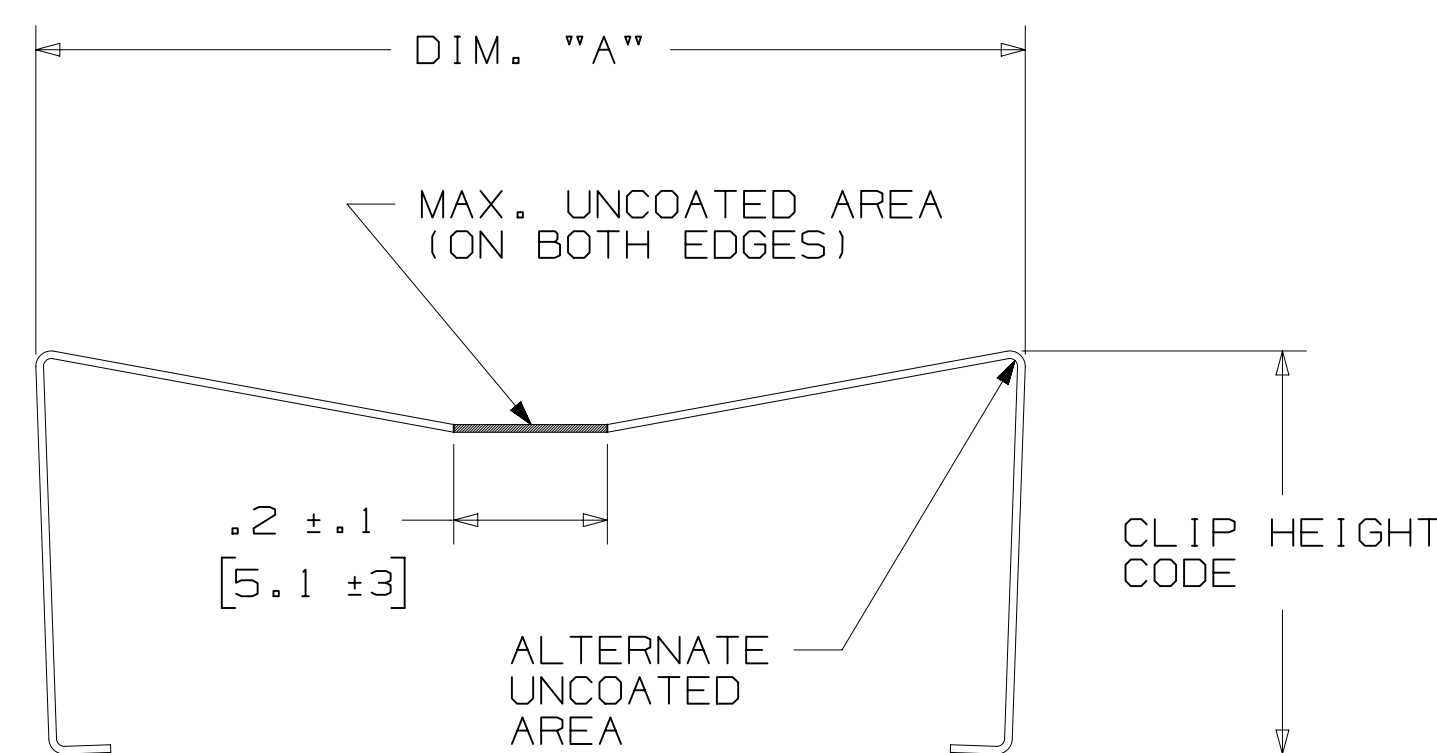
NOTE:  
 LATCHES NOT COMPATIBLE WITH REFLOW SOLDERING.  
 ATTACH LATCHES AFTER SOLDERING.

POLARIZING POST



| PART NO. | MATERIAL | COLOR |
|----------|----------|-------|
| 3201-3   | PCT      | BLACK |

SHORT/LONG SOCKET RETAINER CLIP



| PIN QTY. | DIM. "A"    |
|----------|-------------|
| 06       | N/A         |
| 08       | N/A         |
| 10       | .81 [20.6]  |
| 14       | 1.02 [25.9] |
| 16       | 1.12 [28.4] |
| 20       | 1.32 [33.5] |
| 24       | 1.52 [38.7] |
| 26       | 1.63 [41.4] |
| 30       | 1.83 [46.4] |
| 34       | 2.03 [51.6] |
| 36       | N/A         |
| 40       | 2.33 [59.2] |
| 50       | 2.83 [71.9] |
| 60       | 3.33 [84.6] |
| 64       | 3.53 [89.7] |

NOTE:  
 STAINLESS STEEL WITH GRAY POLYURETHANE COATING.

3505-8XXX

CLIP HEIGHT CODE \_\_\_\_\_ PIN COUNT (SEE TABLE)  
 0 = .31 [7.9] FOR SOCKETS WITHOUT STRAIN RELIEF  
 1 = .53 [13.5] FOR SOCKETS WITH STRAIN RELIEF

NOTE:  
 1) THE FOLLOWING RETAINER CLIPS HAVE BEEN DISCONTINUED:  
 3505-8064  
 3505-8124  
 3505-8150

|   |               |  |     |  |      |      |
|---|---------------|--|-----|--|------|------|
| DESIGN REFERENCE  | NEXT ASSEMBLY | REV  | ECO | ISSUE DATE AND DESCRIPTION   | DRFT | CHKD |
|   |               |  |     | AUG 11, 2014   |      |      |
| DIVISION: Interconnect Solutions<br>SCALE: 4/1<br>DRAWING: THIRD ANGLE PROJECTION |               | DIVISION CODE: EMSD<br>TOLERANCES EXCEPT AS NOTED<br>INCHES: .00 ± .01, .000 ± .005, .0000 ±<br>MILLIMETERS: 0 ± .3, .00 ± .13, .000 ± |     | DATE: AUG 11, 2014<br>DATE: SEP 05, 2014<br>APPR: R. SCHERER   |      |      |
| MAX SURFACE ROUGHNESS: SURFACES MARKED ONLY                                       |               | INTERPRET PER ASME Y14.5 - 2009  |     | TITLE: HEADER, 4-WALL, LO-PRO, .100 X .100, SMT, STRAIGHT & RA<br>CAGE NUMBER: D78-5100-0770-7<br>MODEL: 2500 SERIES         |      |      |
|   |               |  |     | REV. 1: AUG 02, 2016, JNC, SC, REVISE DIM ON SHT2 & CLIP CHART ON SHT5<br>REV. 2: AUG 11, 2014, JNC, RS, REVISED AND REDRAWN |      |      |

78-5100-0770-7  
 11:10 AM UTC-05:00  
 N REVISION  
 C  
 B  
 A

Компания «Океан Электроники» предлагает заключение долгосрочных отношений при поставках импортных электронных компонентов на взаимовыгодных условиях!

Наши преимущества:

- Поставка оригинальных импортных электронных компонентов напрямую с производств Америки, Европы и Азии, а так же с крупнейших складов мира;
- Широкая линейка поставок активных и пассивных импортных электронных компонентов (более 30 млн. наименований);
- Поставка сложных, дефицитных, либо снятых с производства позиций;
- Оперативные сроки поставки под заказ (от 5 рабочих дней);
- Экспресс доставка в любую точку России;
- Помощь Конструкторского Отдела и консультации квалифицированных инженеров;
- Техническая поддержка проекта, помощь в подборе аналогов, поставка прототипов;
- Поставка электронных компонентов под контролем ВП;
- Система менеджмента качества сертифицирована по Международному стандарту ISO 9001;
- При необходимости вся продукция военного и аэрокосмического назначения проходит испытания и сертификацию в лаборатории (по согласованию с заказчиком);
- Поставка специализированных компонентов военного и аэрокосмического уровня качества (Xilinx, Altera, Analog Devices, Intersil, Interpoint, Microsemi, Actel, Aeroflex, Peregrine, VPT, Syfer, Eurofarad, Texas Instruments, MS Kennedy, Miteq, Cobham, E2V, MA-COM, Hittite, Mini-Circuits, General Dynamics и др.);

Компания «Океан Электроники» является официальным дистрибьютором и эксклюзивным представителем в России одного из крупнейших производителей разъемов военного и аэрокосмического назначения «JONHON», а так же официальным дистрибьютором и эксклюзивным представителем в России производителя высокотехнологичных и надежных решений для передачи СВЧ сигналов «FORSTAR».



## JONHON

«JONHON» (основан в 1970 г.)

Разъемы специального, военного и аэрокосмического назначения:

(Применяются в военной, авиационной, аэрокосмической, морской, железнодорожной, горно- и нефтедобывающей отраслях промышленности)

«FORSTAR» (основан в 1998 г.)

ВЧ соединители, коаксиальные кабели, кабельные сборки и микроволновые компоненты:

(Применяются в телекоммуникациях гражданского и специального назначения, в средствах связи, РЛС, а так же военной, авиационной и аэрокосмической отраслях промышленности).



Телефон: 8 (812) 309-75-97 (многоканальный)

Факс: 8 (812) 320-03-32

Электронная почта: [ocean@oceanchips.ru](mailto:ocean@oceanchips.ru)

Web: <http://oceanchips.ru/>

Адрес: 198099, г. Санкт-Петербург, ул. Калинина, д. 2, корп. 4, лит. А