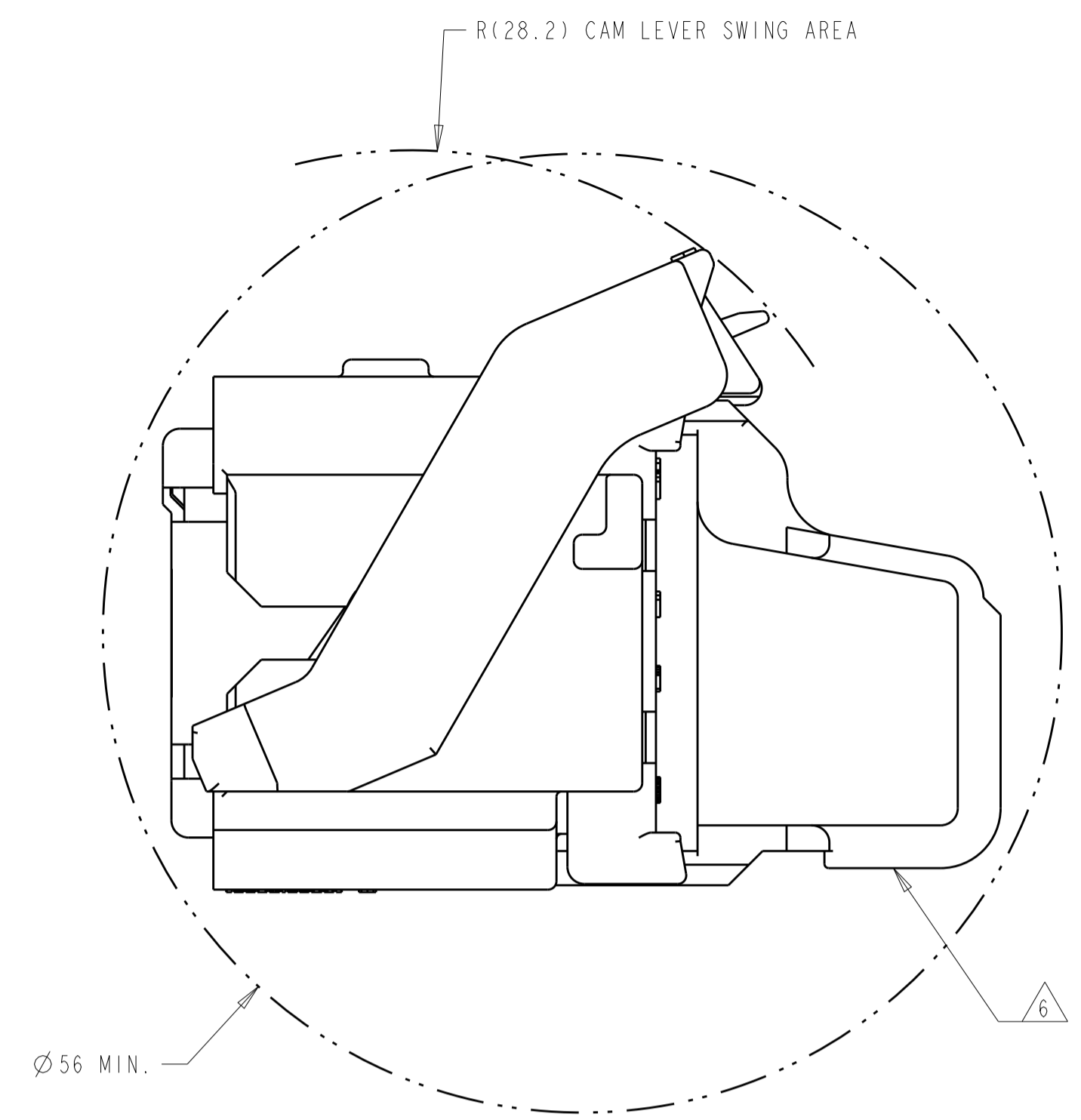
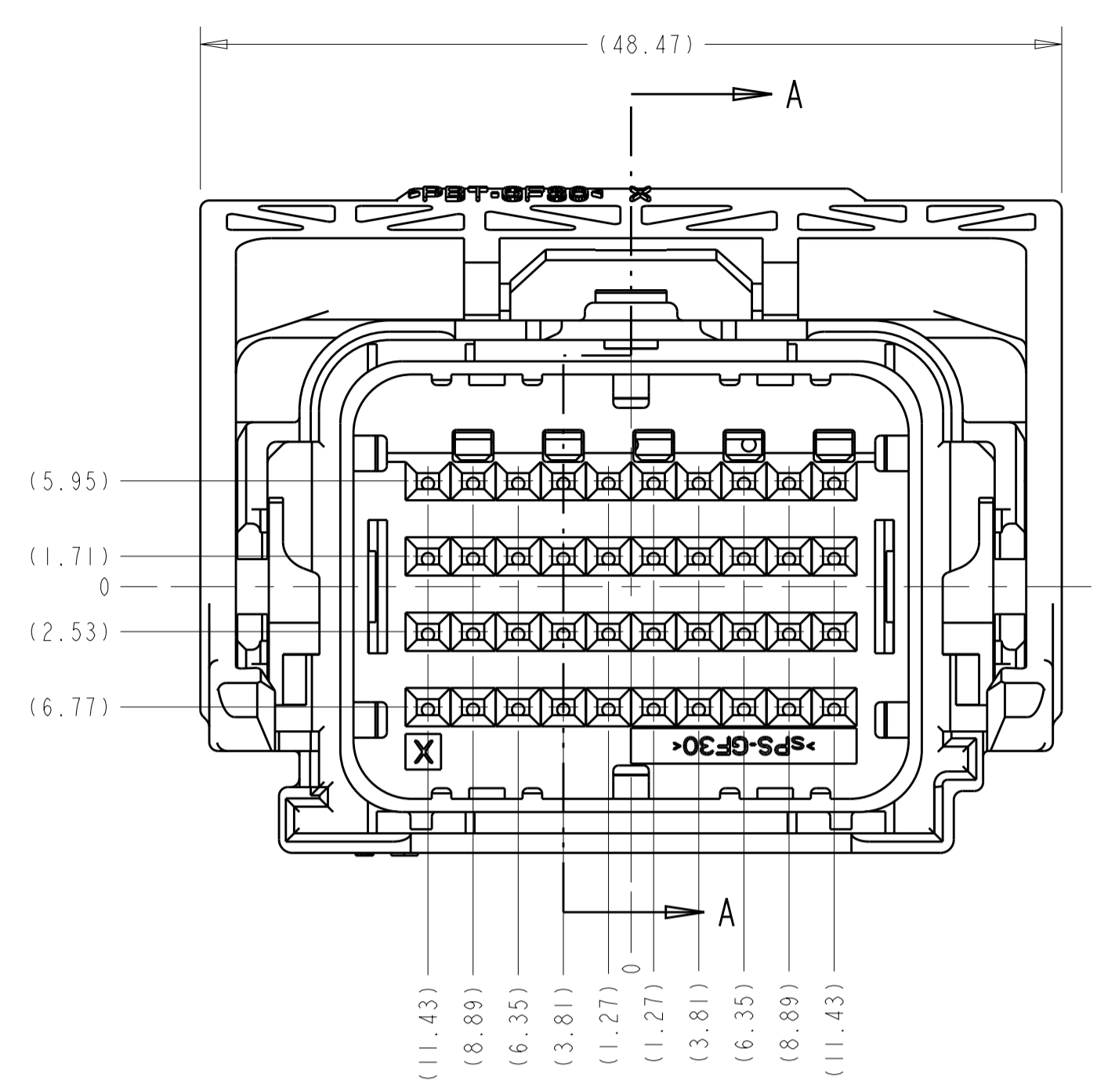
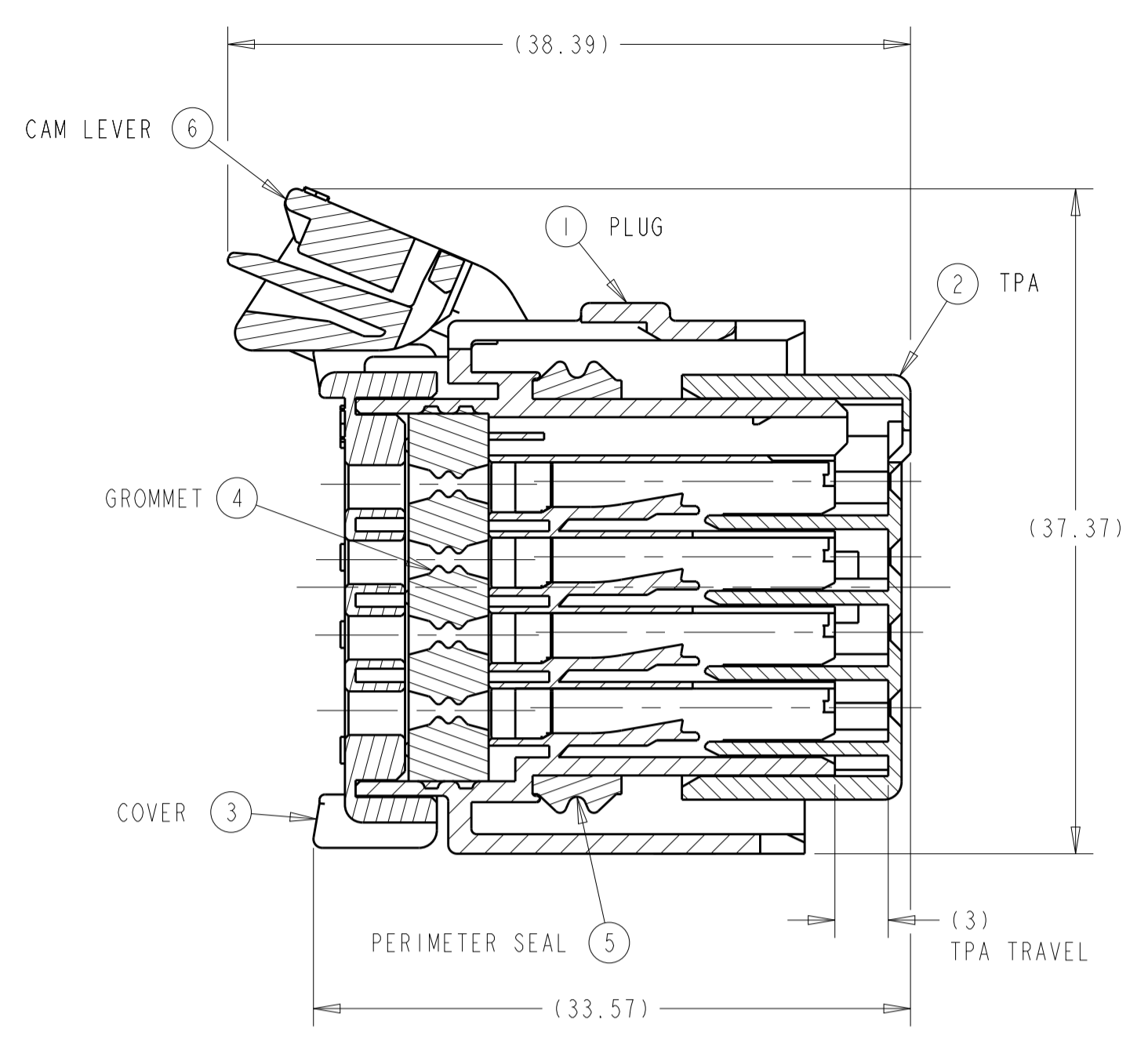
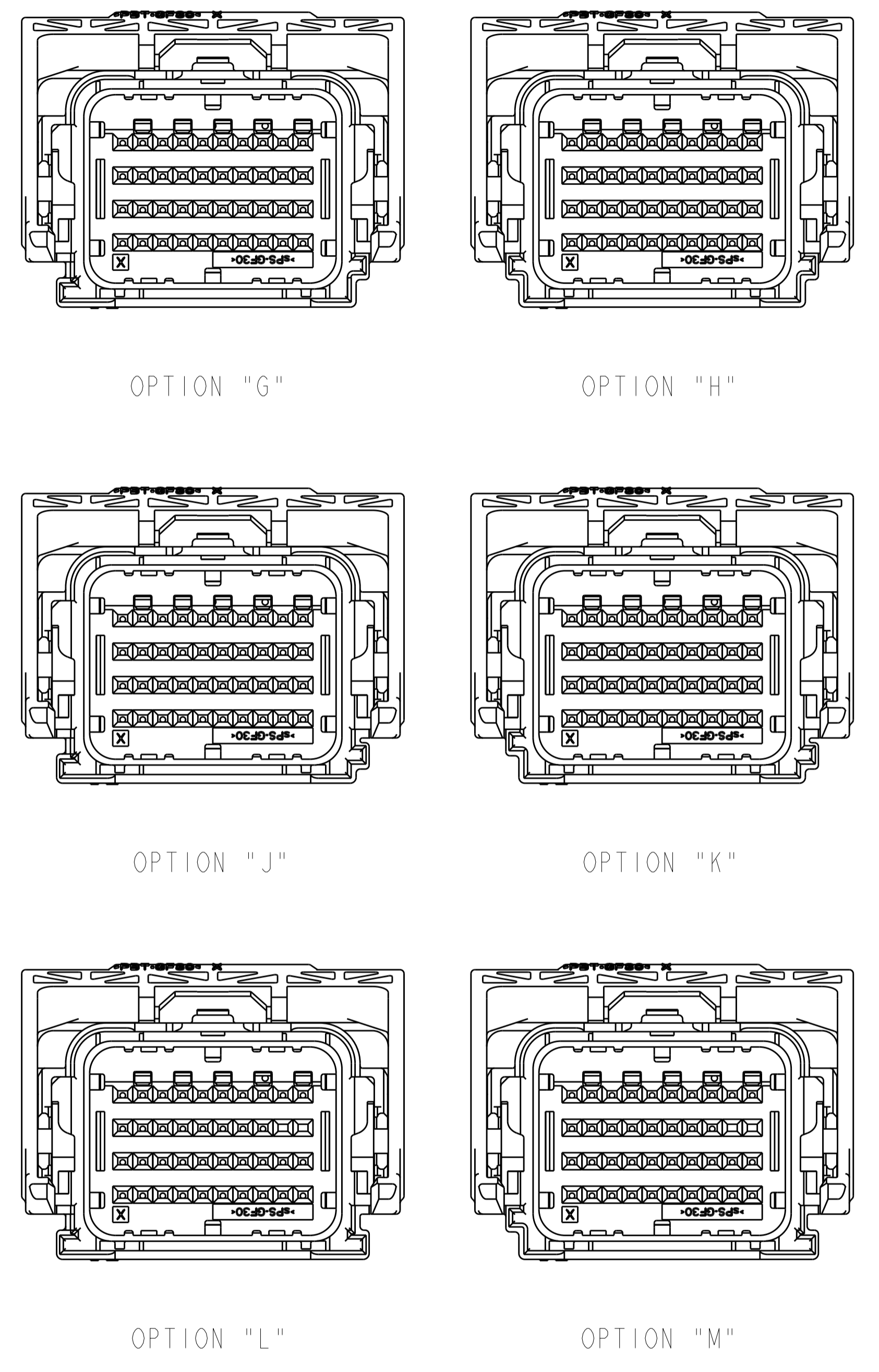


| REVISIONS |     |                           |           |          |
|-----------|-----|---------------------------|-----------|----------|
| P.        | LTM | DESCRIPTION               | DATE      | OWN APVD |
| CB        |     | REVISED PER ECO-13-012231 | 29JUL2013 | DLD WTW  |
| CC        |     | REVISED PER ECO-14-005842 | 14MAY2014 | DLD WTW  |
| CD        |     | REVISED PER ECO-14-017635 | 21NOV2014 | DLD WTW  |

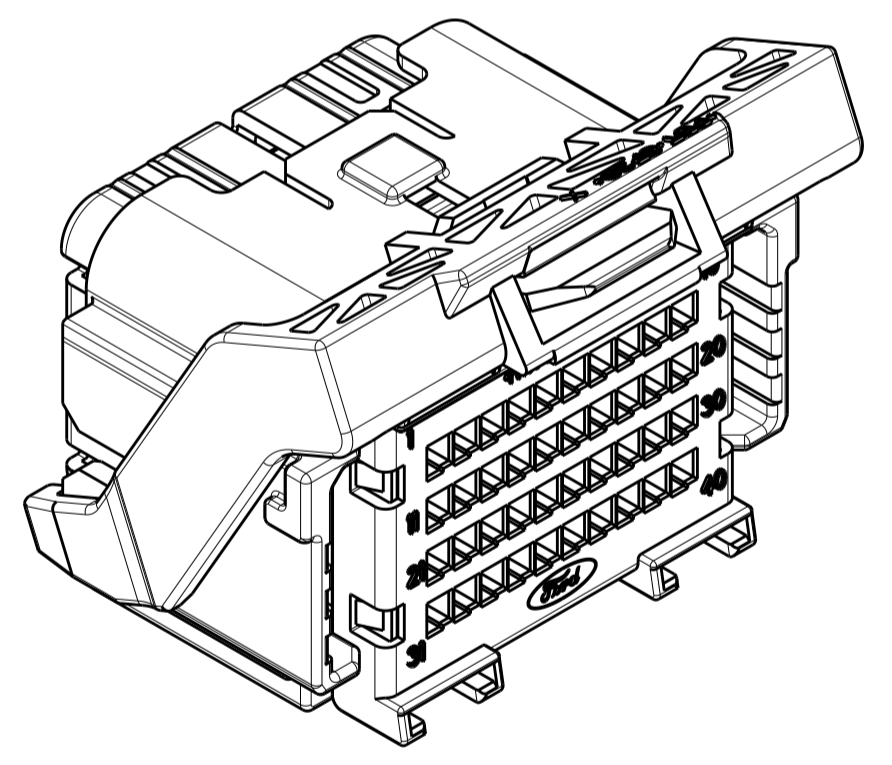


KEYING OPTIONS  
SCALE 2:1

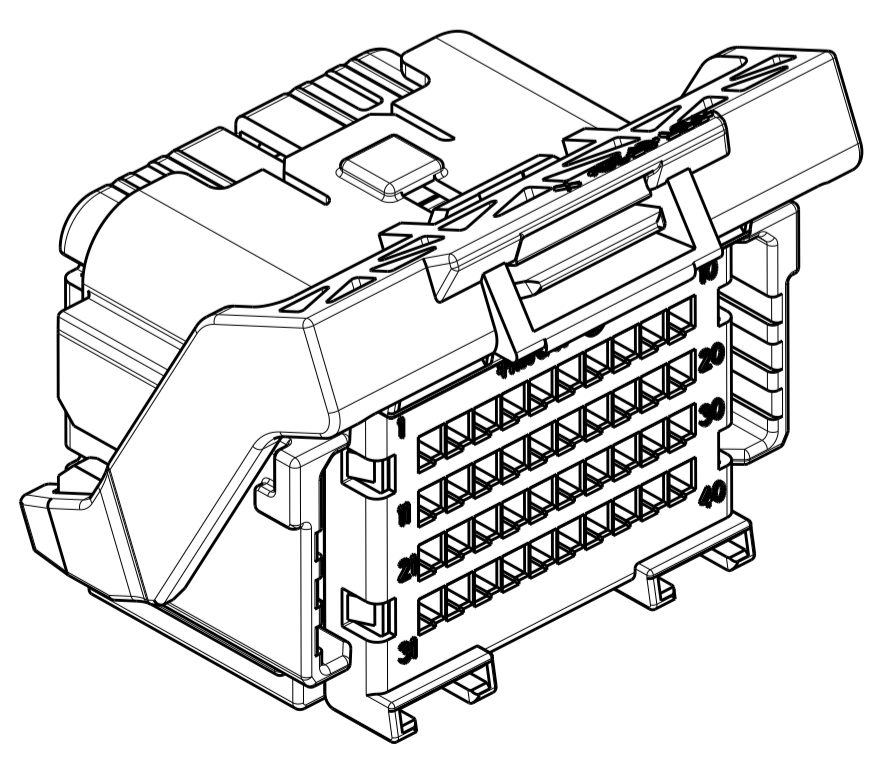


SECTION A-A  
SHOWN WITH CAM LEVER  
AND TPA IN THEIR  
PRE-LOADED POSITIONS  
(DELIVERY CONDITION)

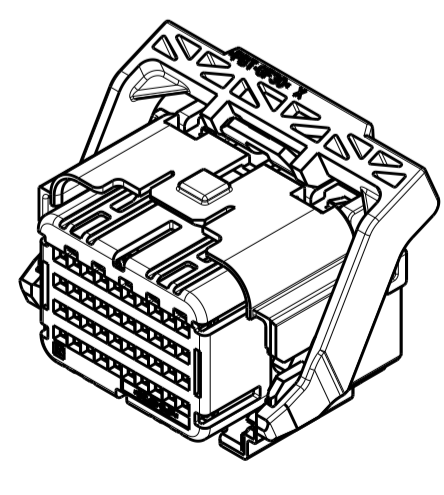
MINIMUM FEED THROUGH CONDITION  
WITH 1mm CLEARANCE ALL AROUND  
SHOWN WITH OPTION WIRESHIELD  
TPA IS IN IT'S LOADED POSITION  
CAM LEVER IS IN IT'S PRE-LOADED POSITION



SCALE 2:1

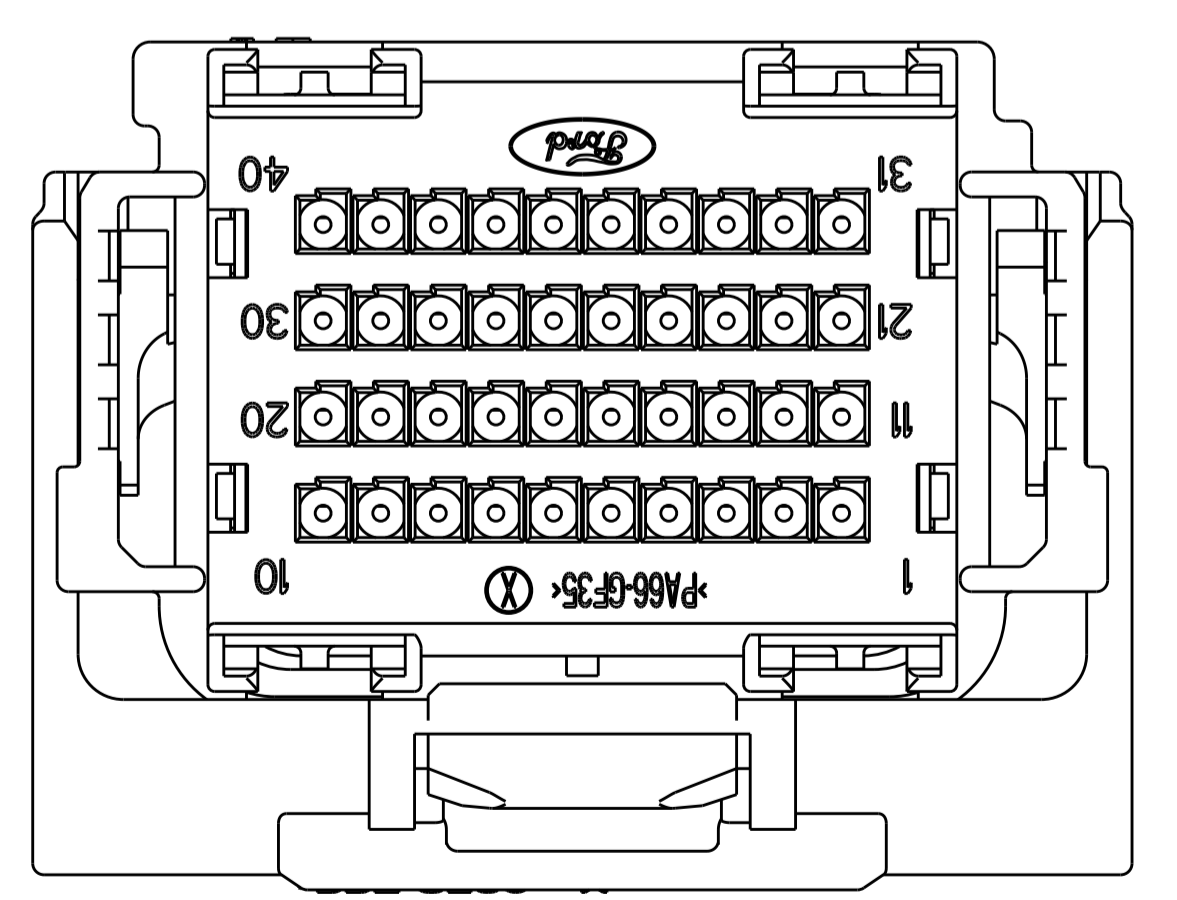
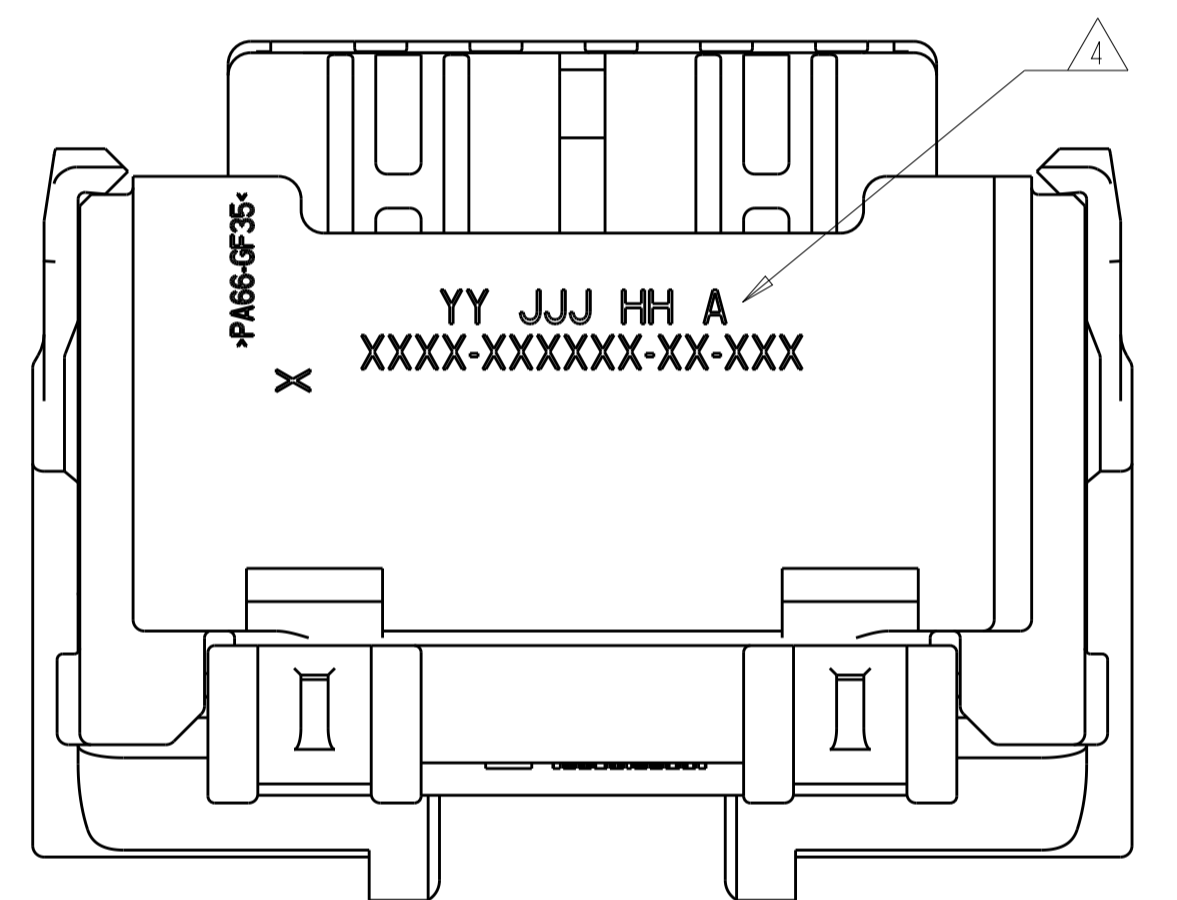
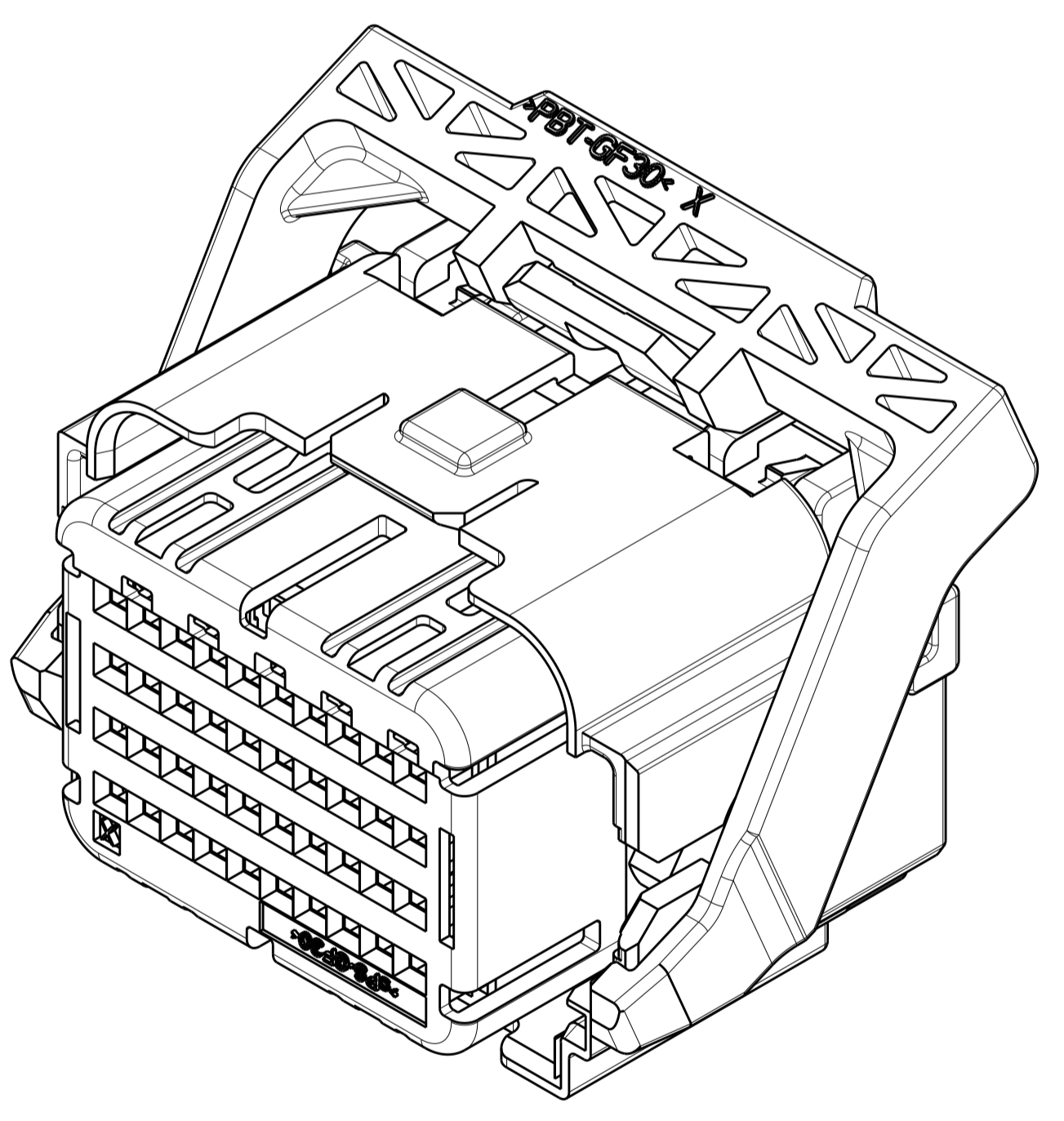


THIS VIEW SHOWS THE  
OPTIONAL CAM LEVER



SCALE 1:1

KEYING OPTION "G" SHOWN  
SEE SHEET 2 FOR BILL OF  
MATERIAL AND PIN-OUT CHARTS



- APPLICABLE TERMINAL PART NUMBERS (SOLD SEPARATELY):  
FOR TIN APPLICATIONS: 1393367 AND 1393366.  
FOR GOLD APPLICATIONS: 1393365 AND 1393364.  
FOR TERMINATION AND REELING OPTIONS  
SEE DRAWINGS 1393367, 1393366, 1393365, AND 1393364.
- COMPATIBLE WIRE SIZES FOR MAT SEAL DESIGN 1.19 TO 2.06 O.D.  
(22-18 AWG, 0.35-0.75 mm<sup>2</sup>)
- TPA AND CAM LEVER ARE SHIPPED IN THEIR PRE-LOADED POSITION.  
ALL ASSEMBLIES ARE TO BE TRAY PACKAGED.
- CUSTOMER PART NUMBER AND TRACEABILITY CODE (YY = TWO DIGIT YEAR,  
JJJ = JULIAN DAY, HH = TWO DIGIT MILITARY HOUR, A = ASSEMBLY PROCESS  
USED) ARE PRINTED IN THIS LOCATION.
- PART ASSEMBLY WEIGHT WITHOUT TERMINALS AND WITH STANDARD PIN-OUT  
CONFIGURATION IS 24.71 GRAMS.
- OPTIONAL WIRESHIELD P/N 8-1419157-8 (SOLD SEPARATELY). PLEASE CONTACT  
YOUR TE SALES REPRESENTATIVE FOR AVAILABILITY AND PRICING.

|  |  |                            |   |
|--|--|----------------------------|---|
| THIS DRAWING IS A CONTROLLED DOCUMENT. |  | OWN: M. FORLSKA 19APR2002  | TE Connectivity   |
| DIMENSIONS: mm                         |  | CHK: M. FORLSKA 19APR2002  |   |
| TOLERANCES UNLESS OTHERWISE SPECIFIED: |  | APVD: A. VALASEK 19APR2002 | NAME: 40 WAY ARM, PLUG ASSEMBLY WITHOUT SHORTING BARS, CUSTOMER SPEC. |
| 0 PLC ±                                |  | PRODUCT SPEC               | SIZE: CAGE CODE DRAWING NO. RESTRICTED TO                             |
| 1 PLC ±0.3                             |  | APPLICATION SPEC           | SCALE: 3:1 SHEET 1 OF 5 REV: CD                                       |
| 2 PLC ±0.10                            |  | WEIGHT: SEE NOTE 5         |   |
| 3 PLC ±                                |  | CUSTOMER DRAWING           |   |
| 4 PLC ±                                |  |                            |   |
| ANGLES ±                               |  |                            |   |
| FINISH: *                              |  |                            |   |
| MATERIAL: SEE CHART ON SHEET 2         |  |                            |   |

THIS DRAWING IS UNPUBLISHED. RELEASED FOR PUBLICATION  
 COPYRIGHT 20 BY - ALL RIGHTS RESERVED.

| REVISIONS |     |             |      |          |
|-----------|-----|-------------|------|----------|
| P.        | LTN | DESCRIPTION | DATE | OWN APVD |
| -         | -   | SEE SHEET 1 | -    | -        |

| ASSEMBLY PART NUMBERS |  |  |  |  |  |  |  |  |  |  |  |  |  |  |  |  | ITEM | DESCRIPTION  | MATERIAL    | FINISH/COLOR |
|-----------------------|--|--|--|--|--|--|--|--|--|--|--|--|--|--|--|--|------|--|-------------|--------------|
|                       |  |  |  |  |  |  |  |  |  |  |  |  |  |  |  |  | 6    | CAM LEVER  | PBT 30% GF  | GRAY         |
|                       |  |  |  |  |  |  |  |  |  |  |  |  |  |  |  |  | 6    | CAM LEVER WITH MODIFIED TAB  | PA66 35% GF | GRAY         |
|                       |  |  |  |  |  |  |  |  |  |  |  |  |  |  |  |  | 6    | CAM LEVER WITH MODIFIED TAB  | PBT 30% GF  | GRAY         |
|                       |  |  |  |  |  |  |  |  |  |  |  |  |  |  |  |  | 5    | PERIMETER SEAL   | SILICONE    | GREEN        |
|                       |  |  |  |  |  |  |  |  |  |  |  |  |  |  |  |  | 4    | GROMMET  | SILICONE    | BROWN        |
|                       |  |  |  |  |  |  |  |  |  |  |  |  |  |  |  |  | 3    | COVER  | PA66 35% GF | BLACK        |
|                       |  |  |  |  |  |  |  |  |  |  |  |  |  |  |  |  | 2    | TPA FOR NON-SHORTING BAR APPLICATIONS                                  | sPS 30% GF  | NATURAL      |
|                       |  |  |  |  |  |  |  |  |  |  |  |  |  |  |  |  | 2    | TPA FOR NON-SHORTING BAR APPLICATIONS                                  | sPS 30% GF  | RED          |
|                       |  |  |  |  |  |  |  |  |  |  |  |  |  |  |  |  | 1    | PLUG WITH KEYING OPTION "K" AND 5 SHORTING BAR POSITIONS CONFIGURATION | PA66 35% GF | BLACK        |
|                       |  |  |  |  |  |  |  |  |  |  |  |  |  |  |  |  | 1    | PLUG WITH KEYING OPTION "L" AND 5 SHORTING BAR POSITIONS CONFIGURATION | PA66 35% GF | BLACK        |
|                       |  |  |  |  |  |  |  |  |  |  |  |  |  |  |  |  | 1    | PLUG WITH KEYING OPTION "J" AND 5 SHORTING BAR POSITIONS CONFIGURATION | PA66 35% GF | BLACK        |
|                       |  |  |  |  |  |  |  |  |  |  |  |  |  |  |  |  | 1    | PLUG WITH KEYING OPTION "H" AND 5 SHORTING BAR POSITIONS CONFIGURATION | PA66 35% GF | BLACK        |
|                       |  |  |  |  |  |  |  |  |  |  |  |  |  |  |  |  | 1    | PLUG WITH KEYING OPTION "G" AND 5 SHORTING BAR POSITIONS CONFIGURATION | PA66 35% GF | BLACK        |
| QUANTITY              |  |  |  |  |  |  |  |  |  |  |  |  |  |  |  |  | ITEM | DESCRIPTION  | MATERIAL    | FINISH/COLOR |

| ASSEMBLY PART NUMBERS |  |  |  |  |  |  |  |  |  |  |  |  |  |  |  |  | ITEM | DESCRIPTION | MATERIAL   | FINISH/COLOR |         |
|-----------------------|--|--|--|--|--|--|--|--|--|--|--|--|--|--|--|--|------|-------------|--|--------------|---------|
|                       |  |  |  |  |  |  |  |  |  |  |  |  |  |  |  |  |      | 6           | CAM LEVER  | PBT 30% GF   | GRAY    |
|                       |  |  |  |  |  |  |  |  |  |  |  |  |  |  |  |  |      | 6           | CAM LEVER WITH MODIFIED TAB  | PA66 35% GF  | GRAY    |
|                       |  |  |  |  |  |  |  |  |  |  |  |  |  |  |  |  |      | 6           | CAM LEVER WITH MODIFIED TAB  | PBT 30% GF   | GRAY    |
|                       |  |  |  |  |  |  |  |  |  |  |  |  |  |  |  |  |      | 5           | PERIMETER SEAL   | SILICONE     | GREEN   |
|                       |  |  |  |  |  |  |  |  |  |  |  |  |  |  |  |  |      | 4           | GROMMET  | SILICONE     | BROWN   |
|                       |  |  |  |  |  |  |  |  |  |  |  |  |  |  |  |  |      | 3           | COVER  | PA66 35% GF  | BLACK   |
|                       |  |  |  |  |  |  |  |  |  |  |  |  |  |  |  |  |      | 2           | TPA FOR NON-SHORTING BAR APPLICATIONS                                  | sPS 30% GF   | NATURAL |
|                       |  |  |  |  |  |  |  |  |  |  |  |  |  |  |  |  |      | 2           | TPA FOR NON-SHORTING BAR APPLICATIONS                                  | sPS 30% GF   | RED     |
|                       |  |  |  |  |  |  |  |  |  |  |  |  |  |  |  |  |      | 1           | PLUG WITH KEYING OPTION "K" AND 5 SHORTING BAR POSITIONS CONFIGURATION | PA66 35% GF  | BLACK   |
|                       |  |  |  |  |  |  |  |  |  |  |  |  |  |  |  |  |      | 1           | PLUG WITH KEYING OPTION "L" AND 5 SHORTING BAR POSITIONS CONFIGURATION | PA66 35% GF  | BLACK   |
|                       |  |  |  |  |  |  |  |  |  |  |  |  |  |  |  |  |      | 1           | PLUG WITH KEYING OPTION "J" AND 5 SHORTING BAR POSITIONS CONFIGURATION | PA66 35% GF  | BLACK   |
|                       |  |  |  |  |  |  |  |  |  |  |  |  |  |  |  |  |      | 1           | PLUG WITH KEYING OPTION "H" AND 5 SHORTING BAR POSITIONS CONFIGURATION | PA66 35% GF  | BLACK   |
|                       |  |  |  |  |  |  |  |  |  |  |  |  |  |  |  |  |      | 1           | PLUG WITH KEYING OPTION "G" AND 5 SHORTING BAR POSITIONS CONFIGURATION | PA66 35% GF  | BLACK   |
| QUANTITY              |  |  |  |  |  |  |  |  |  |  |  |  |  |  |  |  | ITEM | DESCRIPTION | MATERIAL   | FINISH/COLOR |         |

| ASSEMBLY PART NUMBERS |  |  |  |  |  |  |  |  |  |  |  |  |  |  |  |  | ITEM | DESCRIPTION | MATERIAL   | FINISH/COLOR |         |
|-----------------------|--|--|--|--|--|--|--|--|--|--|--|--|--|--|--|--|------|-------------|--|--------------|---------|
|                       |  |  |  |  |  |  |  |  |  |  |  |  |  |  |  |  |      | 6           | CAM LEVER  | PBT 30% GF   | GRAY    |
|                       |  |  |  |  |  |  |  |  |  |  |  |  |  |  |  |  |      | 6           | CAM LEVER WITH MODIFIED TAB  | PA66 35% GF  | GRAY    |
|                       |  |  |  |  |  |  |  |  |  |  |  |  |  |  |  |  |      | 6           | CAM LEVER WITH MODIFIED TAB  | PBT 30% GF   | GRAY    |
|                       |  |  |  |  |  |  |  |  |  |  |  |  |  |  |  |  |      | 5           | PERIMETER SEAL   | SILICONE     | GREEN   |
|                       |  |  |  |  |  |  |  |  |  |  |  |  |  |  |  |  |      | 4           | GROMMET  | SILICONE     | BROWN   |
|                       |  |  |  |  |  |  |  |  |  |  |  |  |  |  |  |  |      | 3           | COVER  | PA66 35% GF  | BLACK   |
|                       |  |  |  |  |  |  |  |  |  |  |  |  |  |  |  |  |      | 2           | TPA FOR NON-SHORTING BAR APPLICATIONS                                  | sPS 30% GF   | NATURAL |
|                       |  |  |  |  |  |  |  |  |  |  |  |  |  |  |  |  |      | 2           | TPA FOR NON-SHORTING BAR APPLICATIONS                                  | sPS 30% GF   | RED     |
|                       |  |  |  |  |  |  |  |  |  |  |  |  |  |  |  |  |      | 1           | PLUG WITH KEYING OPTION "K" AND 5 SHORTING BAR POSITIONS CONFIGURATION | PA66 35% GF  | BLACK   |
|                       |  |  |  |  |  |  |  |  |  |  |  |  |  |  |  |  |      | 1           | PLUG WITH KEYING OPTION "L" AND 5 SHORTING BAR POSITIONS CONFIGURATION | PA66 35% GF  | BLACK   |
|                       |  |  |  |  |  |  |  |  |  |  |  |  |  |  |  |  |      | 1           | PLUG WITH KEYING OPTION "J" AND 5 SHORTING BAR POSITIONS CONFIGURATION | PA66 35% GF  | BLACK   |
|                       |  |  |  |  |  |  |  |  |  |  |  |  |  |  |  |  |      | 1           | PLUG WITH KEYING OPTION "H" AND 5 SHORTING BAR POSITIONS CONFIGURATION | PA66 35% GF  | BLACK   |
|                       |  |  |  |  |  |  |  |  |  |  |  |  |  |  |  |  |      | 1           | PLUG WITH KEYING OPTION "G" AND 5 SHORTING BAR POSITIONS CONFIGURATION | PA66 35% GF  | BLACK   |
| QUANTITY              |  |  |  |  |  |  |  |  |  |  |  |  |  |  |  |  | ITEM | DESCRIPTION | MATERIAL   | FINISH/COLOR |         |

|  |  |                            |  |
|--|--|----------------------------|--|
| THIS DRAWING IS A CONTROLLED DOCUMENT.   |  | OWN: M. FORLSKA 19APR2002  |  TE Connectivity<br>NAME: 40 WAY ARM, PLUG ASSEMBLY WITHOUT SHORTING BARS, CUSTOMER SPEC.<br>PRODUCT SPEC: -<br>APPLICATION SPEC: -<br>SIZE: A1 CAGE CODE: 00779 DRAWING NO: 8-1419157-7 RESTRICTED TO: -<br>WEIGHT: SEE NOTE 5 SCALE: 3:1 SHEET 2 OF 5 REV: CD<br>CUSTOMER DRAWING |
| DIMENSIONS: mm   | TOLERANCES UNLESS OTHERWISE SPECIFIED: | CHK: M. FORLSKA 19APR2002  |  |
| 0 PLC ±0.3<br>1 PLC ±0.10<br>2 PLC ±0.10<br>3 PLC ±0.10<br>4 PLC ±0.10<br>ANGLES ±0.5° |  | APVD: A. VALASEK 19APR2002 |  |
| MATERIAL: SEE CHART ON SHEET 2   | FINISH: -                              | WEIGHT: SEE NOTE 5         |  |


THIS DRAWING IS UNPUBLISHED. RELEASED FOR PUBLICATION 20  
 COPYRIGHT 20 BY ALL RIGHTS RESERVED.

| REVISIONS |     |             |      |       |
|-----------|-----|-------------|------|-------|
| P.        | LTN | DESCRIPTION | DATE | APP'D |
| -         | -   | SEE SHEET 1 | -    | -     |
|           |     |             |      |       |
|           |     |             |      |       |

ASSEMBLY PART NUMBERS

| ITEM | DESCRIPTION  | MATERIAL    | FINISH/COLOR |
|------|--|-------------|--------------|
| 1    | CAM LEVER  | PBT 30% GF  | GRAY         |
| 1    | CAM LEVER WITH MODIFIED TAB  | PA66 35% GF | GRAY         |
| 1    | CAM LEVER WITH MODIFIED TAB  | PBT 30% GF  | GRAY         |
| 1    | PERIMETER SEAL   | SILICONE    | GREEN        |
| 1    | GROMMET  | SILICONE    | BROWN        |
| 1    | COVER  | PA66 35% GF | BLACK        |
| 1    | TPA FOR NON-SHORTING BAR APPLICATIONS                                  | sPS 30% GF  | NATURAL      |
| 1    | TPA FOR NON-SHORTING BAR APPLICATIONS                                  | sPS 30% GF  | RED          |
| 1    | PLUG WITH KEYING OPTION "K" AND 5 SHORTING BAR POSITIONS CONFIGURATION | PA66 35% GF | BLACK        |
| 1    | PLUG WITH KEYING OPTION "L" AND 5 SHORTING BAR POSITIONS CONFIGURATION | PA66 35% GF | BLACK        |
| 1    | PLUG WITH KEYING OPTION "J" AND 5 SHORTING BAR POSITIONS CONFIGURATION | PA66 35% GF | BLACK        |
| 1    | PLUG WITH KEYING OPTION "H" AND 5 SHORTING BAR POSITIONS CONFIGURATION | PA66 35% GF | BLACK        |
| 1    | PLUG WITH KEYING OPTION "G" AND 5 SHORTING BAR POSITIONS CONFIGURATION | PA66 35% GF | BLACK        |

QUANTITY

|   |  |                            |   |
|---|--|----------------------------|---|
| THIS DRAWING IS A CONTROLLED DOCUMENT.  |  | OWN M. FORLSKA 19APR2002   |  TE Connectivity |
| DIMENSIONS: mm  |  | CHK M. FORLSKA 19APR2002   |   |
| TOLERANCES UNLESS OTHERWISE SPECIFIED:<br>0 PLC ±<br>1 PLC ±0.3<br>2 PLC ±0.10<br>3 PLC ±<br>4 PLC ±<br>ANGLES ±° |  | APP'D A. VALASEK 19APR2002 | NAME<br>40 WAY ARM,<br>PLUG ASSEMBLY WITHOUT SHORTING BARS,<br>CUSTOMER SPEC.                         |
| MATERIAL SEE CHART ON SHEET 2   |  | PRODUCT SPEC               | RESTRICTED TO   |
| FINISH  |  | APPLICATION SPEC           | SIZE CAGE CODE DRAWING NO   |
| WEIGHT  |  | SCALE 3:1                  | SHEET 3 OF 5  |
| CUSTOMER DRAWING  |  | REV CD                     | REV   |

REVISIONS table with columns: P, LTR, DESCRIPTION, DATE, DWN, APVD. Row 1: SEE SHEET 1

PIN-OUT CHART table with columns: Pin numbers (1-40) and Key options (KEY "J", KEY "H", KEY "L", KEY "K", KEY "G"). Includes assembly part numbers like 4-1438099-4.

PIN-OUT CHART table for 2098034-1 with columns: Pin numbers (1-40) and Key options (KEY "H", KEY "L", KEY "J"). Includes assembly part numbers like 1-1438435-6.

TERMINAL HOLE POSITION. CAVITIES WITH A NUMERIC SYMBOL INDICATE CLOSED TERMINAL HOLE POSITIONS. BLANK CAVITIES INDICATE OPEN TERMINAL HOLE POSITIONS.

Technical drawing footer containing dimensions, tolerances, material, and customer drawing information. Includes a drawing of a terminal hole and a table with dimensions.



Компания «Океан Электроники» предлагает заключение долгосрочных отношений при поставках импортных электронных компонентов на взаимовыгодных условиях!

Наши преимущества:

- Поставка оригинальных импортных электронных компонентов напрямую с производств Америки, Европы и Азии, а так же с крупнейших складов мира;
- Широкая линейка поставок активных и пассивных импортных электронных компонентов (более 30 млн. наименований);
- Поставка сложных, дефицитных, либо снятых с производства позиций;
- Оперативные сроки поставки под заказ (от 5 рабочих дней);
- Экспресс доставка в любую точку России;
- Помощь Конструкторского Отдела и консультации квалифицированных инженеров;
- Техническая поддержка проекта, помощь в подборе аналогов, поставка прототипов;
- Поставка электронных компонентов под контролем ВП;
- Система менеджмента качества сертифицирована по Международному стандарту ISO 9001;
- При необходимости вся продукция военного и аэрокосмического назначения проходит испытания и сертификацию в лаборатории (по согласованию с заказчиком);
- Поставка специализированных компонентов военного и аэрокосмического уровня качества (Xilinx, Altera, Analog Devices, Intersil, Interpoint, Microsemi, Actel, Aeroflex, Peregrine, VPT, Syfer, Eurofarad, Texas Instruments, MS Kennedy, Miteq, Cobham, E2V, MA-COM, Hittite, Mini-Circuits, General Dynamics и др.);

Компания «Океан Электроники» является официальным дистрибьютором и эксклюзивным представителем в России одного из крупнейших производителей разъемов военного и аэрокосмического назначения «JONHON», а так же официальным дистрибьютором и эксклюзивным представителем в России производителя высокотехнологичных и надежных решений для передачи СВЧ сигналов «FORSTAR».



## JONHON

«JONHON» (основан в 1970 г.)

Разъемы специального, военного и аэрокосмического назначения:

(Применяются в военной, авиационной, аэрокосмической, морской, железнодорожной, горно- и нефтедобывающей отраслях промышленности)

«FORSTAR» (основан в 1998 г.)

ВЧ соединители, коаксиальные кабели, кабельные сборки и микроволновые компоненты:

(Применяются в телекоммуникациях гражданского и специального назначения, в средствах связи, РЛС, а так же военной, авиационной и аэрокосмической отраслях промышленности).



Телефон: 8 (812) 309-75-97 (многоканальный)

Факс: 8 (812) 320-03-32

Электронная почта: [ocean@oceanchips.ru](mailto:ocean@oceanchips.ru)

Web: <http://oceanchips.ru/>

Адрес: 198099, г. Санкт-Петербург, ул. Калинина, д. 2, корп. 4, лит. А