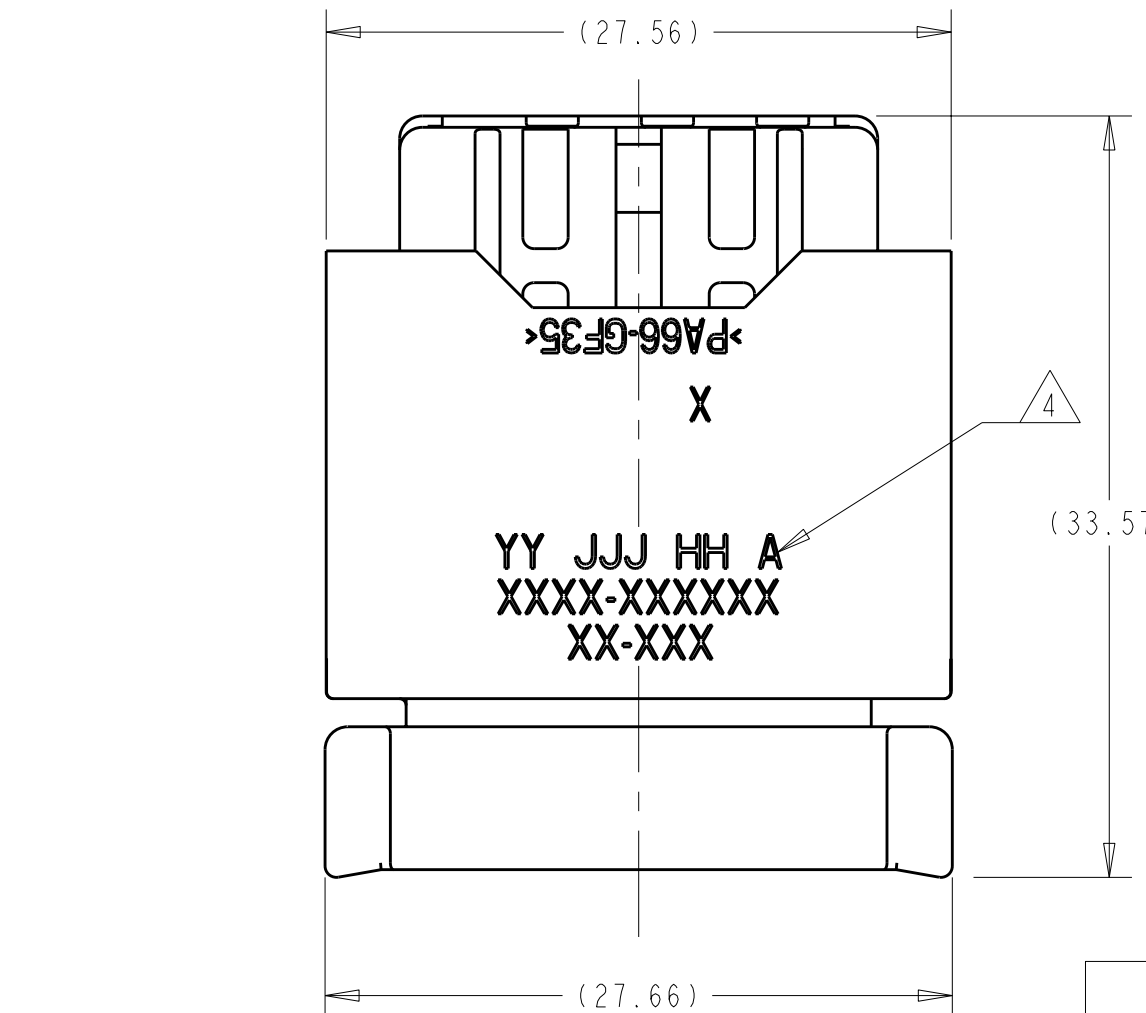
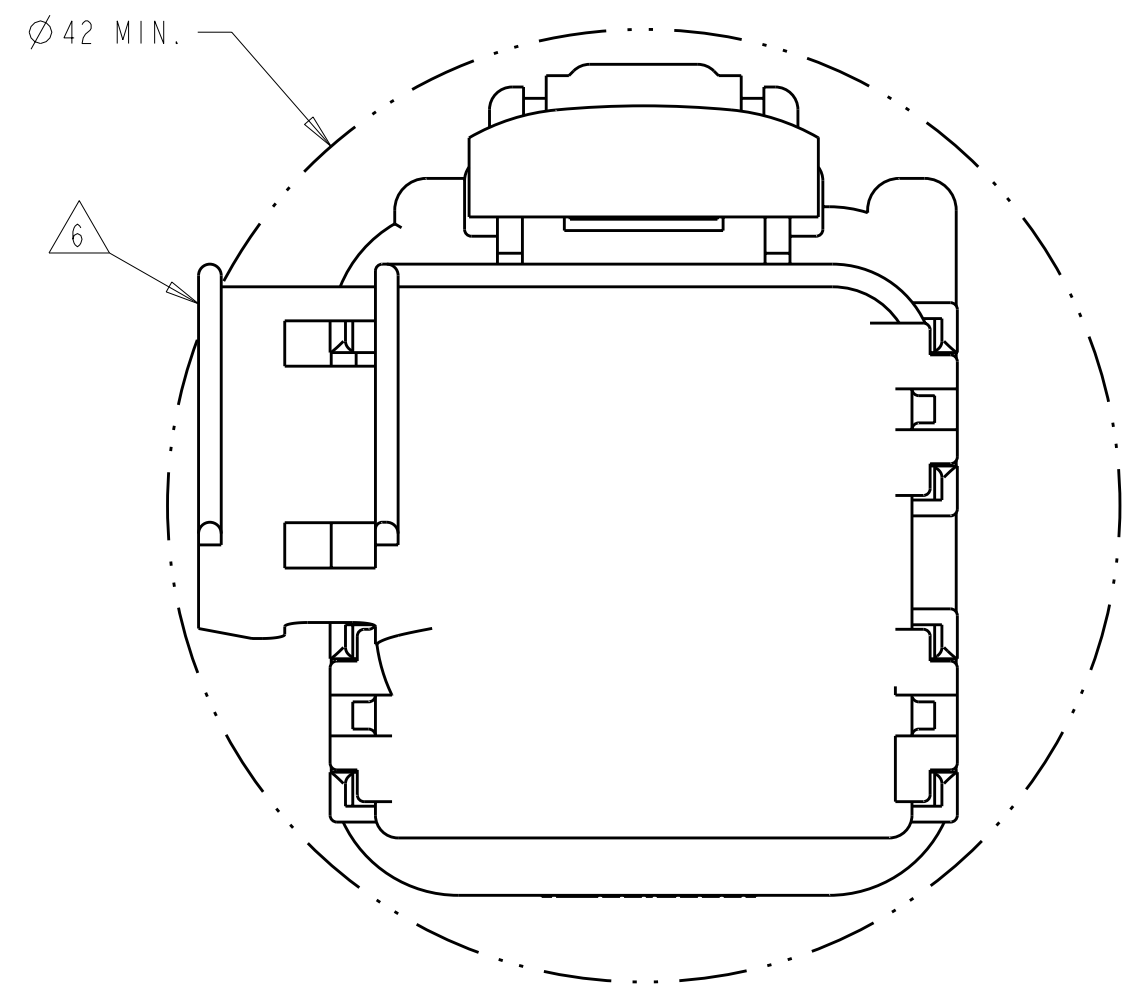
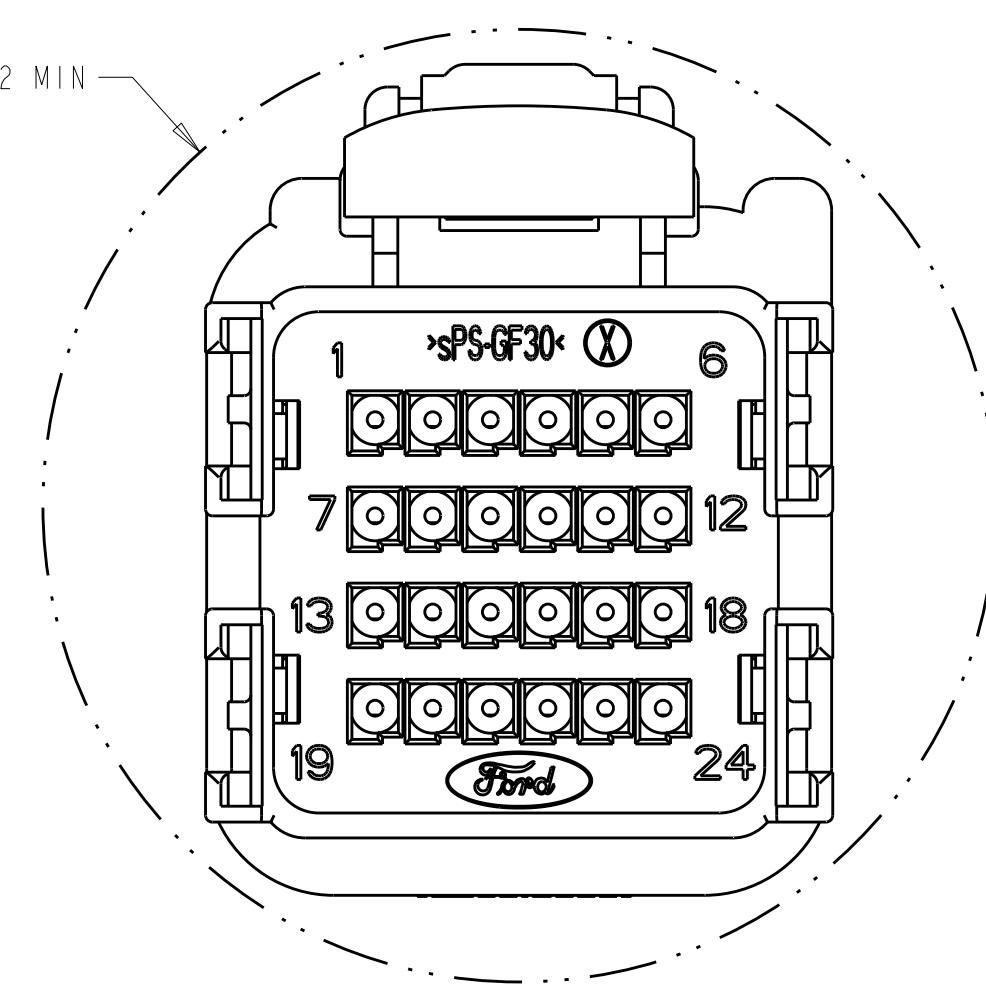
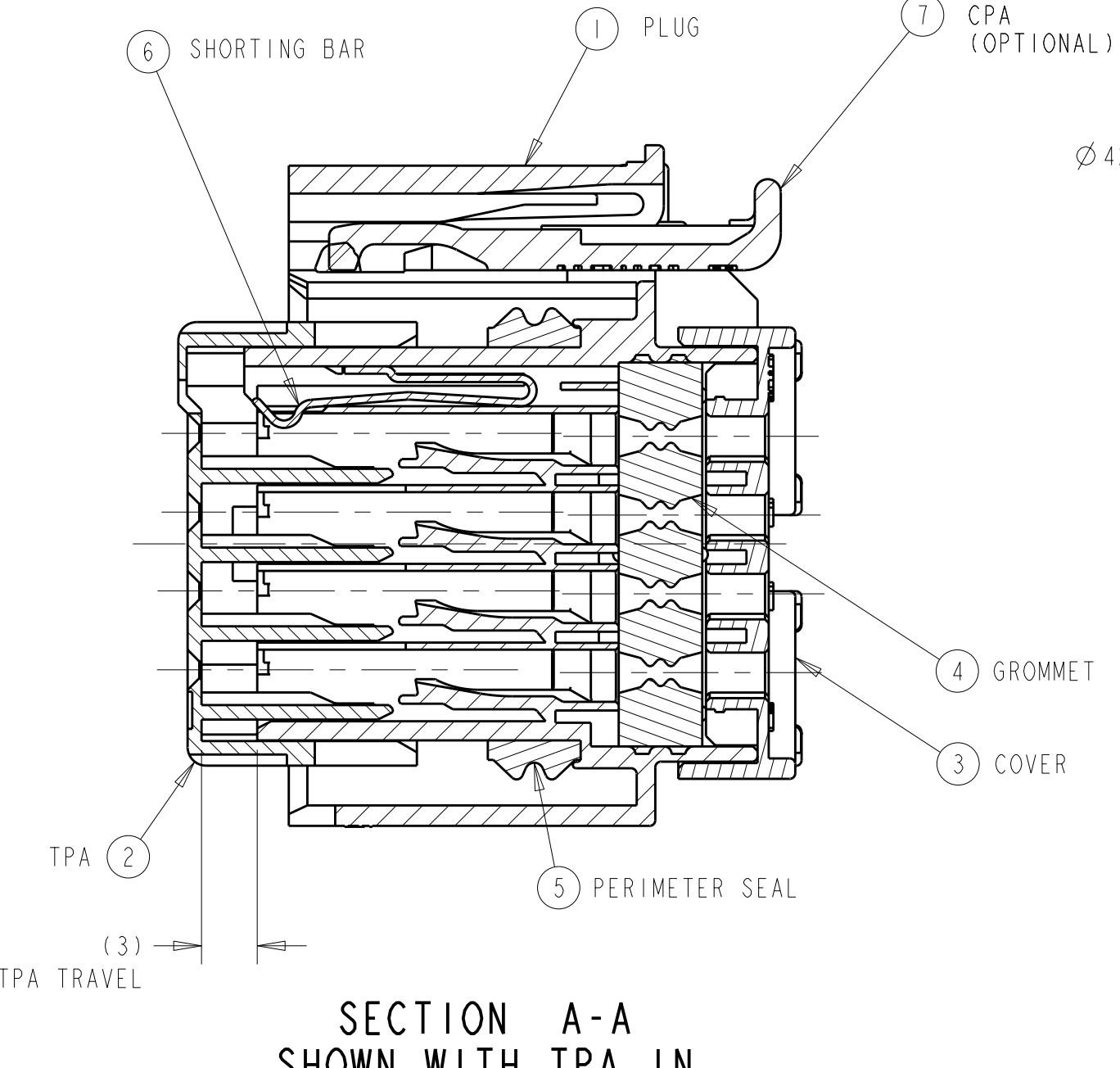
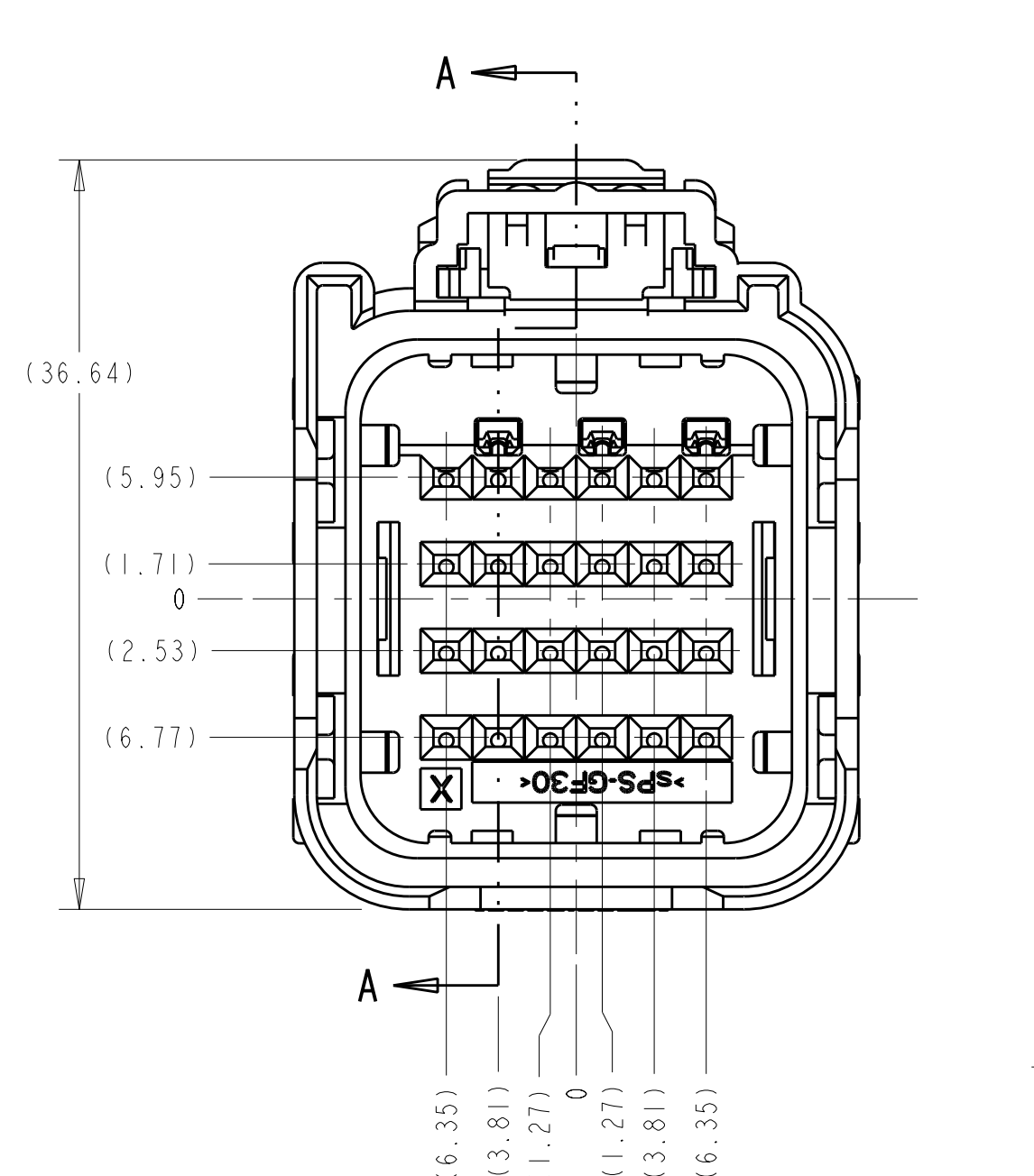
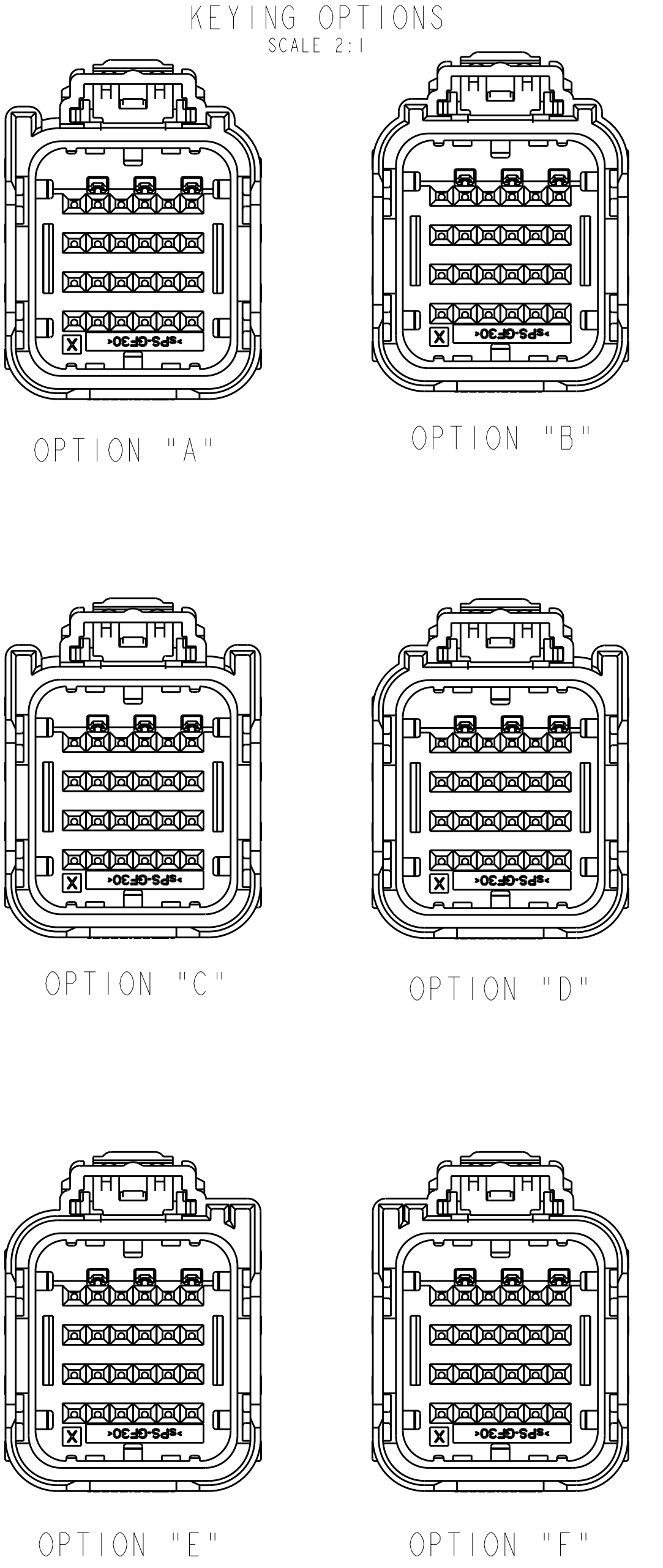


REV	DATE	BY	CHKD	APVD	DESCRIPTION
P	06 JAN 2011		DLD	WTW	REVISED PER ECO-11-000262
R	28 MAR 2011		DLD	WTW	REVISED PER ECO-11-006070
S	03 APR 2012		DLD	WTW	REVISED PER ECO-12-006350



MINIMUM FEED THROUGH CONDITION
WITH 1mm CLEARANCE ALL AROUND

MINIMUM FEED THROUGH CONDITION
WITH 1mm CLEARANCE ALL AROUND
SHOWN WITH OPTION WIRESHIELD

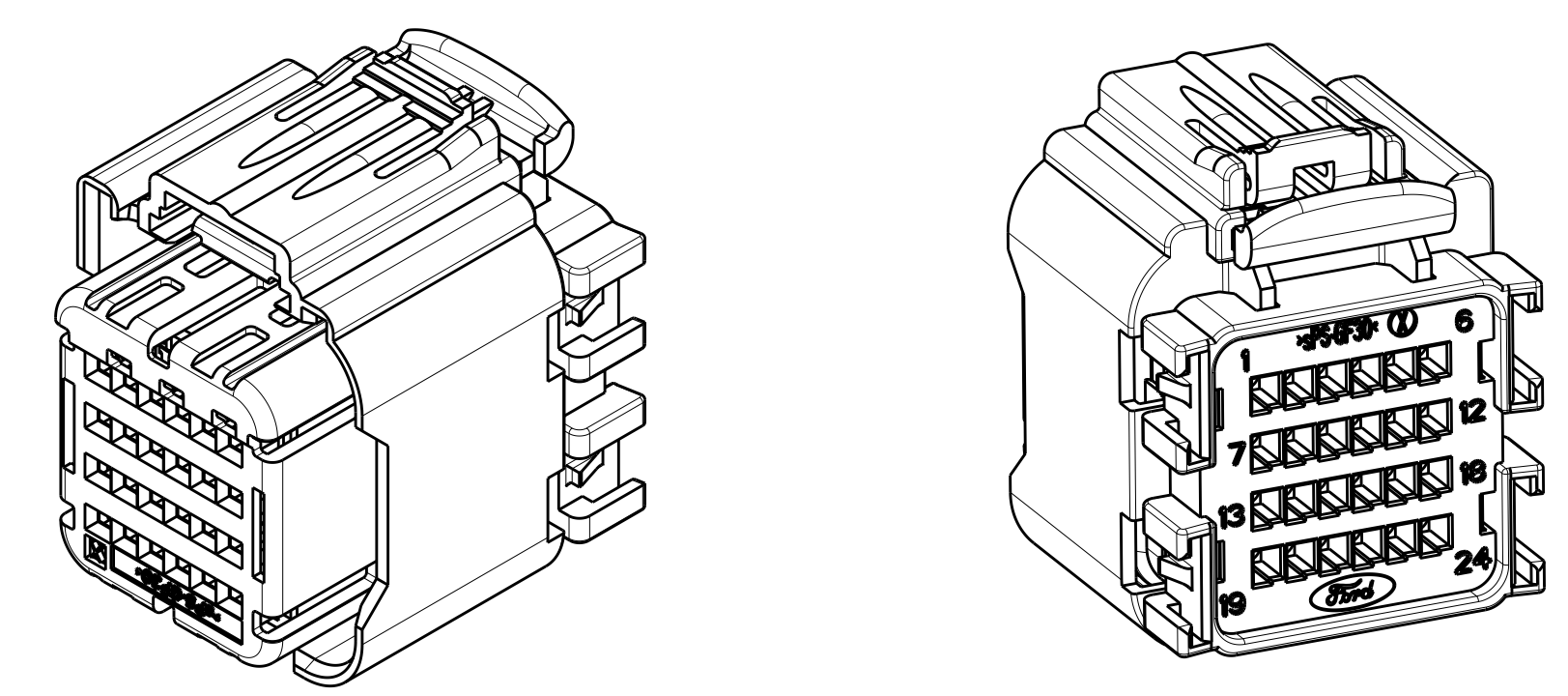
SECTION A-A
SHOWN WITH TPA IN
IT'S PRE-LOADED POSITION
(DELIVERY CONDITON)

1. APPLICABLE TERMINAL PART NUMBERS (SOLD SEPARATELY):
FOR TIN APPLICATIONS: 1393367 AND 1393366.
FOR GOLD APPLICATIONS: 1393365 AND 1393364.
FOR TERMINATION AND REELING OPTIONS
SEE DRAWINGS 1393367, 1393366, 1393365, AND 1393364.
2. COMPATIBLE WIRE SIZES FOR MAT SEAL DESIGN 1.19 TO 2.06 O.D.
(22-18 AWG, 0.35-0.75 mm²)
3. TPA IS SHIPPED IN IT'S PRE-LOADED POSITION. ALL ASSEMBLIES ARE TO BE TRAY PACKAGED.
4. CUSTOMER PART NUMBER AND TRACEABILITY CODE (YY = TWO DIGIT YEAR, JJJ = JULIAN DAY, HH = TWO DIGIT MILITARY HOUR, A = ASSEMBLY PROCESS USED) ARE PRINTED IN THIS LOCATION.
5. PART ASSEMBLY WEIGHT WITHOUT TERMINALS AND WITH STANDARD PIN-OUT CONFIGURATION IS 14.39 GRAMS.
6. OPTIONAL WIRESHIELD P/N 7-1419157-8 (SOLD SEPARATELY). PLEASE CONTACT YOUR TYCO ELECTRONICS SALES REPRESENTATIVE FOR AVAILABILITY AND PRICING.

ASSEMBLY PART NUMBERS

QTY	ASSEMBLY PART NUMBER	DESCRIPTION	MATERIAL	FINISH/COLOR
	2-1924675-2			7
2	2-1924675-1	CPA	PBT-GF15	RED
2	2-1924675-0	SHORTING BAR	S.S.	SEE COMPONENT DRAWING
2	2-1924675-9	PERIMETER SEAL	SILICONE	GREEN
2	2-1924675-8	GROMMET	SILICONE	BROWN
2	2-1924675-7	COVER	PA66 35X GF	BLACK
2	2-1924675-6	CPA WITH 3 SHORTING BAR POSITIONS CONFIGURATION	sPS 30% GF	NATURAL
2	2-1924675-5	PLUG WITH KEYING OPTION "F" AND 3 SHORTING BAR POSITIONS CONFIGURATION	PA66 30X GF	BLACK
2	2-1924675-4	PLUG WITH KEYING OPTION "E" AND 3 SHORTING BAR POSITIONS CONFIGURATION	PA66 35X GF	BLACK
2	2-1924675-3	PLUG WITH KEYING OPTION "C" AND 3 SHORTING BAR POSITIONS CONFIGURATION	PA66 35X GF	BLACK
2	2-1924675-2	PLUG WITH KEYING OPTION "A" AND 3 SHORTING BAR POSITIONS CONFIGURATION	PA66 35X GF	BLACK
2	2-1924675-1	PLUG WITH KEYING OPTION "D" AND 3 SHORTING BAR POSITIONS CONFIGURATION	PA66 35X GF	BLACK
2	2-1924675-0	PLUG WITH KEYING OPTION "C" AND 3 SHORTING BAR POSITIONS CONFIGURATION	PA66 35X GF	NATURAL
2	2-1924675-9	PLUG WITH KEYING OPTION "A" AND 3 SHORTING BAR POSITIONS CONFIGURATION	PA66 35X GF	BLACK
2	2-1924675-8	PLUG WITH KEYING OPTION "D" AND 3 SHORTING BAR POSITIONS CONFIGURATION	PA66 35X GF	BLACK
2	2-1924675-7	PLUG WITH KEYING OPTION "C" AND 3 SHORTING BAR POSITIONS CONFIGURATION	PA66 35X GF	GRAY
2	2-1924675-6	PLUG WITH KEYING OPTION "B" AND 3 SHORTING BAR POSITIONS CONFIGURATION	PA66 35X GF	GRAY

KEYING OPTION "A" SHOWN



SCALE 2:1

SCALE 2:1


THIS DRAWING IS A CONTROLLED DOCUMENT. DIMENSIONS: mm. TOLERANCES UNLESS OTHERWISE SPECIFIED: 9 PLC ±.1, 3 PLC ±0.3, 5 PLC ±0.10, 4 PLC ±.1, ANGLES ±°. MATERIAL: SEE CHART ABOVE. FINISH: -. WEIGHT: SEE NOTE 5. CUSTOMER DRAWING: A1 00779. DATE: 24 JUL 2007. CHKD: W. WELLINSKY. APVD: W. WELLINSKY. PRODUCT SPEC: -. APPLICATION SPEC: -. SIZE: CAGE CODE DRAWING NO: A1 00779. DRAWING NO: 1924674. SHEET 1 OF 5. REV S.

STE TE Connectivity
24 WAY ARM PLUG ASSEMBLY
WITH SELECT LOAD SHORTING BARS
CUSTOMER SPEC.

THIS DRAWING IS UNPUBLISHED. RELEASED FOR PUBLICATION 20
 © COPYRIGHT 20 BY ALL RIGHTS RESERVED.

LOC		DIST		REVISIONS			
FX	00	REV	DATE	DESCRIPTION	DATE	DWN	APVD
		-	-	SEE SHEET 1	-	-	-

ASSEMBLY PART NUMBERS													
2098376-1										7	CPA	PBT-GF15	RED
										6	SHORTING BAR	S.S.	SEE COMPONENT DRAWING
										5	PERIMETER SEAL	SILICONE	GREEN
										4	GROMMET	SILICONE	BROWN
										3	COVER	PA66 35% GF	BLACK
										2	3 SHORTING BAR POSITIONS CONFIGURATION TPA WITH KEYING OPTION "F" AND 3 SHORTING BAR POSITIONS CONFIGURATION	sPS 30% GF	NATURAL
										1	3 SHORTING BAR POSITIONS CONFIGURATION PLUG WITH KEYING OPTION "E" AND 3 SHORTING BAR POSITIONS CONFIGURATION	PA66 30% GF	BLACK
										1	3 SHORTING BAR POSITIONS CONFIGURATION PLUG WITH KEYING OPTION "E" AND 3 SHORTING BAR POSITIONS CONFIGURATION	PA66 35% GF	BLACK
										1	3 SHORTING BAR POSITIONS CONFIGURATION PLUG WITH KEYING OPTION "C" AND 3 SHORTING BAR POSITIONS CONFIGURATION	PA66 35% GF	BLACK
										1	3 SHORTING BAR POSITIONS CONFIGURATION PLUG WITH KEYING OPTION "A" AND 3 SHORTING BAR POSITIONS CONFIGURATION	PA66 35% GF	BLACK
										1	3 SHORTING BAR POSITIONS CONFIGURATION PLUG WITH KEYING OPTION "D" AND 3 SHORTING BAR POSITIONS CONFIGURATION	PA66 35% GF	BLACK
										1	3 SHORTING BAR POSITIONS CONFIGURATION PLUG WITH KEYING OPTION "C" AND 3 SHORTING BAR POSITIONS CONFIGURATION	PA66 35% GF	NATURAL
										1	3 SHORTING BAR POSITIONS CONFIGURATION PLUG WITH KEYING OPTION "B" AND 3 SHORTING BAR POSITIONS CONFIGURATION	PA66 35% GF	BLACK
										1	3 SHORTING BAR POSITIONS CONFIGURATION PLUG WITH KEYING OPTION "A" AND 3 SHORTING BAR POSITIONS CONFIGURATION	PA66 35% GF	GRAY
											QUANTITY	DESCRIPTION	MATERIAL FINISH/COLOR

THIS DRAWING IS A CONTROLLED DOCUMENT.		DWN R. VESTAL 24JUL2007	 TE Connectivity
DIMENSIONS: mm		CHK W. WELLINSKY 24JUL2007	
TOLERANCES UNLESS OTHERWISE SPECIFIED:		APVD W. WELLINSKY 24JUL2007	NAME 24 WAY ARM PLUG ASSEMBLY WITH SELECT LOAD SHORTING BARS CUSTOMER SPEC.
0 PLC ± 1 PLC ±0.3 2 PLC ±0.10 3 PLC ± 4 PLC ± ANGLES ±° FINISH		PRODUCT SPEC -	SIZE CAGE CODE DRAWING NO A1 00779 C=1924674
MATERIAL SEE CHART ABOVE		APPLICATION SPEC -	RESTRICTED TO -
		WEIGHT -	SCALE 3:1 SHEET 2 OF 5 REV S
		CUSTOMER DRAWING	

THIS DRAWING IS UNPUBLISHED. RELEASED FOR PUBLICATION 20
 COPYRIGHT 20 BY . . . ALL RIGHTS RESERVED.

LOC	DIST	REVISIONS			
		REV	DATE	BY	APVD
FX	00	-	-	-	-

PIN-OUT CHART

SHORTING BAR POSITION		TERMINAL HOLE POSITION																								CPA	ASSEMBLY PART NUMBER	PLUG KEYING OPTION
3 / 4	1 / 2	1	2			5	6	7	8	9	10	11	12		14	15	16	17	18		21	23	24	N	1-1924674-3	KEY "A"		
3 / 4	1 / 2					5	6	7	8	9	10	11	12		14	15	16	17	18		21	23	24	N	1-1924674-2	KEY "A"		
3 / 4	1 / 2					5	6					11	12		14	15	16	17	18	19	20	21	23	24	N	1-1924674-1	KEY "A"	
3 / 4	1 / 2					5	6					11	12		14	15	16	17	18		20	21	23	24	N	1-1924674-0	KEY "A"	
3 / 4	1 / 2					5	6	7	8	9	10	11	12		14	15	16	17	18		21	23	24	N	1924674-9	KEY "A"		
3 / 4	1 / 2					5	6					11	12		15	16	17	18	19	20	21	23	24	N	1924674-8	KEY "A"		
3 / 4	1 / 2					5	6							14	15	16	17	18	19	20	21	23	24	N	1924674-7	KEY "A"		
3 / 4	1 / 2					5	6							14	15	16	17	18		20	21	23	24	N	1924674-6	KEY "A"		
3 / 4	1 / 2					5	6							15	16	17	18		20	21	23	24	N	1924674-5	KEY "A"			
3 / 4	1 / 2					5	6				11	12		15	16	17	18		20	21	23	24	N	1924674-4	KEY "A"			
3 / 4	1 / 2					5	6				11	12		15	16	17	18		21	22	23			N	1924674-3	KEY "A"		
3 / 4	1 / 2					5	6				11	12		15	16		18		21	22	23			N	1924674-2	KEY "A"		
3 / 4	1 / 2																							N	1924674-1	KEY "A"		

THIS DRAWING IS A CONTROLLED DOCUMENT. TOLERANCES UNLESS OTHERWISE SPECIFIED: 0 PLC $\pm .3$, 1 PLC ± 0.10 , 2 PLC $\pm .10$, 3 PLC $\pm .10$, 4 PLC $\pm .10$, ANGLES \pm , FINISH \pm .

STE TE Connectivity

24 WAY ARM PLUG ASSEMBLY WITH SELECT LOAD SHORTING BARS CUSTOMER SPEC.

DATE: 24 JUL 2007, CHECKED BY: W. WELLINSKY, DRAWING NO: A100779, DRAWING NO: C=1924674, SCALE: 3:1, SHEET: 3 OF 5, REV: S.

4805 (3/11)

LOC	DIST	REV	DATE	BY	APVD
FX	00				
DESCRIPTION			DATE	BY	APVD
SEE SHEET 1					

PIN-OUT CHART

SHORTING BAR POSITION	1	2	3	4	5	6	7	8	9	10	11	12	13	14	15	16	17	18	19	20	21	22	23	24	CPA	ASSEMBLY PART NUMBER	PLUG KEYING OPTION		
3 / 4					5	6					11	12		14		16	17	18					23	24	Y	2-1924675-2	KEY "A"		
3 / 4					5	6								14	15	16	17	18		20	21	22	23	24	Y	2-1924675-1	KEY "A"		
3 / 4	1	2	3	4	5	6	7	8	9	10	11	12		15	16	17	18	19	20	21	22	23	24	Y	2-1924675-0	KEY "A"			
3 / 4					5	6								14	15	16						22			Y	1-1924675-9	KEY "A"		
3 / 4					5	6								14	15	16				20	21	22			Y	1-1924675-8	KEY "A"		
3 / 4					5	6					11	12		14	15	16				20	21	22			Y	1-1924675-7	KEY "A"		
3 / 4					5	6					11	12		14	15	16						22			Y	1-1924675-6	KEY "A"		
3 / 4					5	6					11	12		14	15	16	17	18				22	23	24	Y	1-1924675-5	KEY "A"		
3 / 4					5	6					11	12		14	15	16	17	18		20	21	22	23	24	Y	1-1924675-4	KEY "A"		
3 / 4					5	6					11	12		15	16	17	18		20	21	22	23	24	Y	1-1924675-3	KEY "A"			
3 / 4							7	8	9	10	11	12					17	18			21		23		Y	1-1924675-2	KEY "A"		
3 / 4					5	6					11	12		14	15	16	17	18	19	20	21		23	24	Y	1-1924675-1	KEY "A"		
3 / 4					5	6					11	12		14	15	16	17	18		20	21		23	24	Y	1-1924675-0	KEY "A"		
3 / 4					5	6	7	8	9	10	11	12		14	15	16	17	18			21		23	24	Y	1924675-9	KEY "A"		
3 / 4					5	6					11	12		15	16	17	18	19	20	21		23	24	Y	1924675-8	KEY "A"			
3 / 4					5	6								14	15	16	17	18	19	20	21		23	24	Y	1924675-7	KEY "A"		
3 / 4					5	6								14	15	16	17	18		20	21		23	24	Y	1924675-6	KEY "A"		
3 / 4					5	6								15	16	17	18		20	21		23	24	Y	1924675-5	KEY "A"			
3 / 4					5	6					11	12		15	16	17	18		20	21		23	24	Y	1924675-4	KEY "A"			
3 / 4					5	6					11	12		15	16	17	18			21	22	23			Y	1924675-3	KEY "A"		
3 / 4					5	6					11	12		15	16		18			21	22	23			Y	1924675-2	KEY "A"		
3 / 4																									Y	1924675-1	KEY "A"		
5 / 6	3 / 4	1 / 2	1	2	3	4	5	6	7	8	9	10	11	12	13	14	15	16	17	18	19	20	21	22	23	24	CPA	ASSEMBLY PART NUMBER	PLUG KEYING OPTION
SHORTING BAR POSITION			TERMINAL HOLE POSITION																								CPA	ASSEMBLY PART NUMBER	PLUG KEYING OPTION
CAVITIES W/ A NUMERIC SYMBOL INDICATE SHORTING BAR LOADED			CAVITIES WITH A NUMERIC SYMBOL INDICATE CLOSED TERMINAL HOLE POSITIONS																										
BLANK CAVITIES INDICATE NO SHORTING BAR LOADED			BLANK CAVITIES INDICATE OPEN TERMINAL HOLE POSITIONS																										

THIS DRAWING IS A CONTROLLED DOCUMENT.		OWN: R. VESTAL 24JUL2007	TE Connectivity 24 WAY ARM PLUG ASSEMBLY WITH SELECT LOAD SHORTING BARS CUSTOMER SPEC.
DIMENSIONS: mm		CHK: W. WELLINSKY 24JUL2007	
TOLERANCES UNLESS OTHERWISE SPECIFIED:		APVD: W. WELLINSKY 24JUL2007	PRODUCT SPEC
0 PLC ±.3 1 PLC ±0.10 3 PLC ± 4 PLC ± ANGLES ±°		APPLICATION SPEC	SIZE CAGE CODE DRAWING NO
MATERIAL: SEE CHART ABOVE		FINISH: -	RESTRICTED TO
		WEIGHT: -	A1 00779 C=1924674
		CUSTOMER DRAWING	SCALE 3:1 SHEET 4 OF 5 REV S

LOC	DIST	REVISIONS			
P	LTB	DESCRIPTION	DATE	DWN	APVD
-	-	SEE SHEET 1	-	-	-

PIN-OUT CHART


SHORTING BAR POSITION		TERMINAL HOLE POSITION																								CPA	ASSEMBLY PART NUMBER	PLUG KEYING OPTION	
5 / 6	3 / 4	1 / 2	1	2	3	4	5	6	7	8	9	10	11	12	13	14	15	16	17	18	19	20	21	22	23	24	N	2098376-1	KEY "F"
		1 / 2																									N	1924686-1	KEY "E"
		1 / 2																									N	1924685-1	KEY "D"
		1 / 2																									N	1924684-1	KEY "C"
		1 / 2																									N	1924683-1	KEY "B"
		1 / 2																									N	1924682-1	KEY "A"
CAVITIES W/ A NUMERIC SYMBOL INDICATE SHORTING BAR LOADED		CAVITIES WITH A NUMERIC SYMBOL INDICATE CLOSED TERMINAL HOLE POSITIONS																											
BLANK CAVITIES INDICATE NO SHORTING BAR LOADED		BLANK CAVITIES INDICATE OPEN TERMINAL HOLE POSITIONS																											

THIS DRAWING IS A CONTROLLED DOCUMENT.

DIMENSIONS: mm
 TOLERANCES UNLESS OTHERWISE SPECIFIED:
 0 PLC ±
 1 PLC ±0.3
 2 PLC ±0.10
 3 PLC ±
 4 PLC ±
 ANGLES ±°
 FINISH -

MATERIAL: SEE CHART ABOVE
 WEIGHT: -
 FINISH: -

DWN: R. VESTAL 24JUL2007
 CHK: W. WELLINSKY 24JUL2007
 APVD: W. WELLINSKY 24JUL2007
 NAME: 24 WAY ARM PLUG ASSEMBLY WITH SELECT LOAD SHORTING BARS CUSTOMER SPEC.
 PRODUCT SPEC: -
 APPLICATION SPEC: -
 SIZE: A1 CAGE CODE: 00779 DRAWING NO: C=1924674
 RESTRICTED TO: -
 CUSTOMER DRAWING SCALE: 3:1 SHEET 5 OF 5 REV S

 TE Connectivity

Компания «Океан Электроники» предлагает заключение долгосрочных отношений при поставках импортных электронных компонентов на взаимовыгодных условиях!

Наши преимущества:

- Поставка оригинальных импортных электронных компонентов напрямую с производств Америки, Европы и Азии, а так же с крупнейших складов мира;
- Широкая линейка поставок активных и пассивных импортных электронных компонентов (более 30 млн. наименований);
- Поставка сложных, дефицитных, либо снятых с производства позиций;
- Оперативные сроки поставки под заказ (от 5 рабочих дней);
- Экспресс доставка в любую точку России;
- Помощь Конструкторского Отдела и консультации квалифицированных инженеров;
- Техническая поддержка проекта, помощь в подборе аналогов, поставка прототипов;
- Поставка электронных компонентов под контролем ВП;
- Система менеджмента качества сертифицирована по Международному стандарту ISO 9001;
- При необходимости вся продукция военного и аэрокосмического назначения проходит испытания и сертификацию в лаборатории (по согласованию с заказчиком);
- Поставка специализированных компонентов военного и аэрокосмического уровня качества (Xilinx, Altera, Analog Devices, Intersil, Interpoint, Microsemi, Actel, Aeroflex, Peregrine, VPT, Syfer, Eurofarad, Texas Instruments, MS Kennedy, Miteq, Cobham, E2V, MA-COM, Hittite, Mini-Circuits, General Dynamics и др.);

Компания «Океан Электроники» является официальным дистрибьютором и эксклюзивным представителем в России одного из крупнейших производителей разъемов военного и аэрокосмического назначения «JONHON», а так же официальным дистрибьютором и эксклюзивным представителем в России производителя высокотехнологичных и надежных решений для передачи СВЧ сигналов «FORSTAR».



JONHON

«JONHON» (основан в 1970 г.)

Разъемы специального, военного и аэрокосмического назначения:

(Применяются в военной, авиационной, аэрокосмической, морской, железнодорожной, горно- и нефтедобывающей отраслях промышленности)

«FORSTAR» (основан в 1998 г.)

ВЧ соединители, коаксиальные кабели, кабельные сборки и микроволновые компоненты:

(Применяются в телекоммуникациях гражданского и специального назначения, в средствах связи, РЛС, а так же военной, авиационной и аэрокосмической отраслях промышленности).



Телефон: 8 (812) 309-75-97 (многоканальный)

Факс: 8 (812) 320-03-32

Электронная почта: ocean@oceanchips.ru

Web: <http://oceanchips.ru/>

Адрес: 198099, г. Санкт-Петербург, ул. Калинина, д. 2, корп. 4, лит. А