

Introduction

The LogiCORE™ IP Common Public Radio Interface (CPRI™) core is a high-performance, low-cost flexible solution for implementation of the CPRI interface. It uses state-of-the-art transceivers to implement the Physical Layer. A compact and customizable Data Link Layer is implemented in the FPGA logic.

Additional Documentation

A product guide is available for this core. Access to this material can be requested by going to the [CPRI Documentation Lounge](#).

Features

- UltraScale™ architecture-based device designs operate at line rates of 614.4, 1,228.8, 2,457.6, 3,072, 4,915.2, 6,144, 8,110.08, 9,830.4, 10,137.6, 12,165.12, and 24,330.24 Mb/s using GTHE3, GTYE3, GTHE4 or GTYE4 transceivers. 24,330.24 Mb/s line rate with optional RS-FEC supported using GTYE3 or GTYE4 transceivers, or optional 100G Ethernet RS-FEC using GTYE4 transceivers on selected UltraScale+ parts.
- Zynq®-7000, Virtex®-7, and Kintex®-7 device designs operate at line rates of 614.4, 1,228.8, 2,457.6, 3,072, 4,915.2, 6,144, 9,830.4, 10,137.6, and 12,165.12 Mb/s using GTXE2, GTHE2 transceivers.
- Artix®-7 devices designs operate at line rates of 614.4, 1,228.86, 2,457.6, 3,072, 4,915.2, and 6,144 Mb/s using GTPE2 transceivers.

LogiCORE IP Facts	
Core Specifics	
Supported Device Family ⁽¹⁾	UltraScale+™ ⁽²⁾ UltraScale™ Zynq®-7000 All Programmable SoC ⁽²⁾ 7 Series ⁽³⁾
Supported User Interfaces	Generic data, status, configuration and management interfaces, AXI4-Lite management interface
Provided with Core	
Design Files	Encrypted register transfer level (RTL)
Example Design	VHDL
Test Bench	VHDL
Constraints File	Xilinx Design Constraints (XDC)
Simulation Models	VHDL, Verilog
Supported S/W Drivers	N/A
Tested Design Flows ⁽⁴⁾	
Design Entry	Vivado® Design Suite
Simulation	For supported simulators, see the Xilinx Design Tools: Release Notes Guide .
Synthesis	Vivado Synthesis
Support	
Provided by Xilinx at the Xilinx Support web page	

Notes:

1. For a complete list of supported devices, see the Vivado IP catalog.
2. Excludes Zynq-7000 007, 010, 014 and 020 devices. Excludes Zynq UltraScale+ devices 2cg, 2eg, 3cg and 3eg.
3. Excludes the Artix-7 100T device in CSG324, FTG256 and CS 324 packages. Excludes Spartan®-7 devices
4. For the supported version of the tool, see the [Xilinx Design Tools: Release Notes Guide](#).

Features (continued)

- Automatic speed negotiation
- Supports both Fast (Ethernet) and Slow High-Level Data Link Control (HDLC) Control and Management (C&M) channels per the *CPRI Specification v7.0* [Ref 1].
- Can be configured as a master or slave at generation time. Master core can be switched to operate as a slave through a configuration port.
- Suitable for use in both Radio Equipment Controllers (RECs) and Radio Equipment (RE), including multi-hop systems.
- Easy-to-use interface for in-phase (I) and quadrature-phase (Q) data and synchronization together with optional modules for UMTS terrestrial radio access - frequency division duplexing (UTRA-FDD) and Evolved UMTS Terrestrial Radio Access (E-UTRA) data mappings.
- Supports vendor specific data transport including support for the passing of control AxC information in global system for mobile communications (GSM) systems
- Delay measurement capability meets CPRI Requirement 21 per *CPRI Specification v7.0* [Ref 1]
- Includes the necessary clocking and transceiver logic to enable easy integration into your design
- Synthesizable example design and simple demonstration test bench provided
- Optional Reed-Solomon Forward error correction (RS-FEC) supported at 8,110.08, 10,137.6, 12,165.12 and 24,330.24 Mb/s line rates
- Optional 100G Ethernet RS-FEC supported at a fixed 24,330.24 Mb/s line rate on selected UltraScale+ devices using GTYE4 transceivers
- CPRI core can be converted into a four lane Receiver Hard FEC IP running at a fixed 24,330.24 Mb/s line rate, on UltraScale+ devices with 100G Ethernet RS-FEC support
- UTRA-FDD in-phase and quadrature-phase data (I/Q) module supporting 1 to 48 Antenna-Carriers per core

Overview

The CPRI core implements Layer 1 and Layer 2 of the CPRI specification in UltraScale architecture-based, Zynq-7000, Virtex-7, Kintex-7, and Artix-7 devices. The CPRI core provides these client-side interfaces.

- **I/Q Interface.** Consists of a stream of radio data (I/Q samples) that is synchronized to the Universal Mobile Telecommunications System (UMTS) radio frame pulse.
- **Synchronization Interface.** Provides the means for the client logic to synchronize to the network time by transmitting the UMTS radio frame pulse and clock frequency.
- **High-Level Data Link Control (HDLC) Interface.** Transports management information between master and slave. The HDLC interface is serialized and synchronous.

- **Ethernet Interface.** When configured to support speeds of up to 3,072 Mb/s, the Ethernet interface is presented as a Media Independent Interface (MII); this allows a 100 Mb Ethernet Media Access Controller (MAC) to be attached to the core to provide a high-speed channel for management information. When speeds over 4,915.2 Mb/s are supported, a Gigabit Media Independent Interface (GMII) option is available. This allows a 1 Gb Ethernet MAC to be attached to the core. The core includes an Ethernet frame buffer in both transmit and receive directions.
- **Vendor-Specific Data Interface.** Provides client logic access to the vendor-specific sub-channels in the CPRI stream.
- **Management Interface.** Provides control and status registers that allow management of the entire design from a supervisory processor. An AXI4-Lite option is available.

The architecture of the core is shown in [Figure 1](#). In addition to the interfaces described previously, the core contains these blocks:

- **Status/Alarm Block.** Reflects the internal state of the core and the state of the link.
- **Start-up Sequencer.** Performs line-rate negotiation and Control and Management (C&M) parameter negotiation at link start-up. This block continuously monitors the state of the link and sends the status to the alarm block.
- **UMTS Terrestrial Radio Access - Frequency Division Duplexing (UTRA FDD) I/Q Module:** A pluggable I/Q module to support multiplexing and demultiplexing of I/Q samples in UTRA FDD systems (shown in [Figure 1](#)).
- **Evolved UMTS Terrestrial Radio Access (E-UTRA) I/Q Module:** A pluggable I/Q module to support multiplexing and demultiplexing of I/Q samples in E-UTRA systems (not shown in [Figure 1](#)).
- **Legacy raw I/Q Module:** A pluggable I/Q Module for backward compatibility with the raw interfacing timing for v1.x CPRI cores (not shown in [Figure 1](#)).

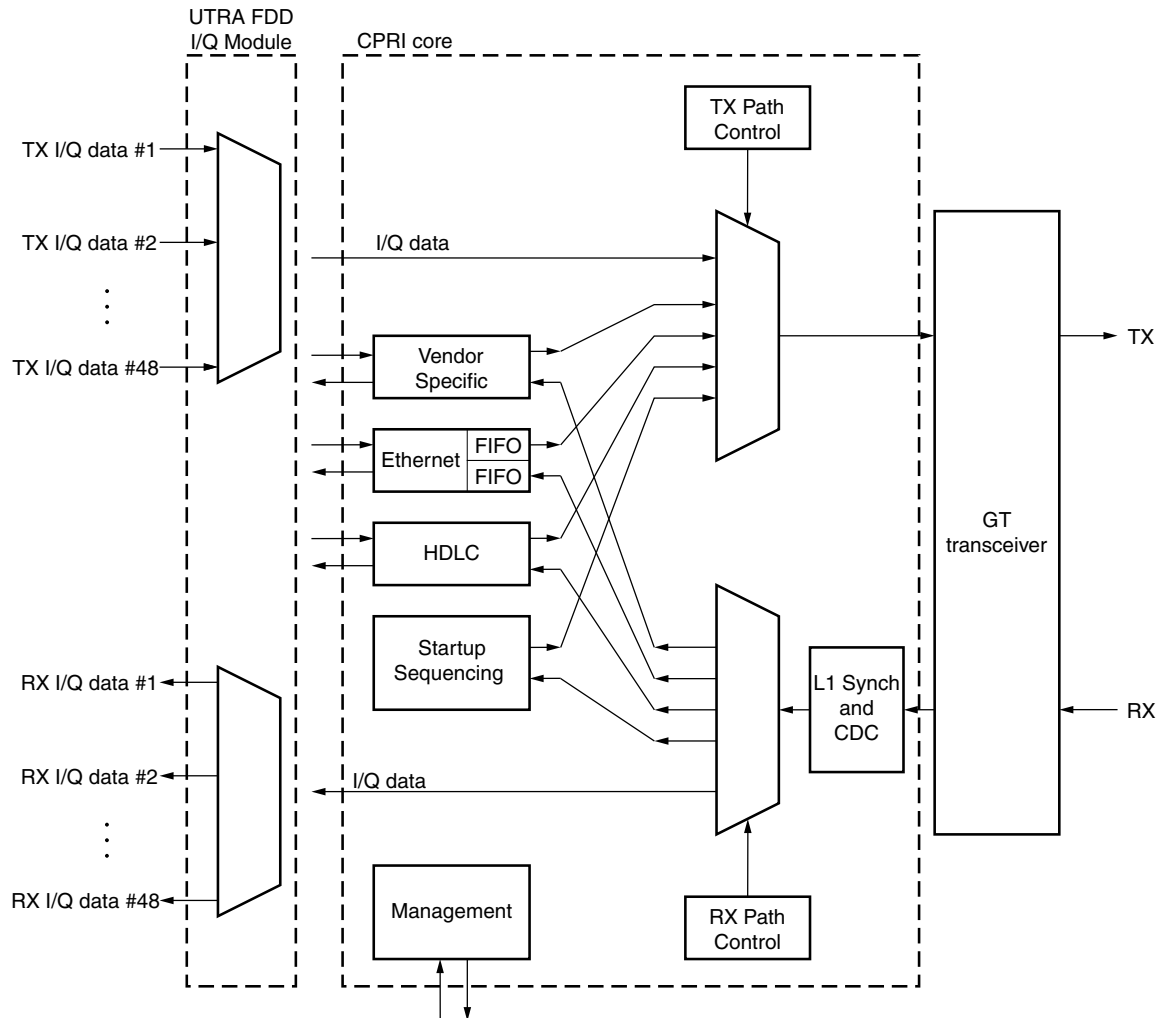


Figure 1: CPRI Top-Level Block Diagram

References

To search for Xilinx documentation, go to the [Xilinx Support web page](#).

1. [CPRI Specification v7.0](#), October 9, 2015
2. [IEEE Std. 802.3-2005 \(standards.ieee.org/getieee802/\)](#)
3. [Vivado AXI Reference Guide \(UG1037\)](#)
4. [Vivado Design Suite User Guide: Designing with IP \(UG896\)](#)

Technical Support

Xilinx provides technical support at the [Xilinx Support web page](#) for this LogiCORE™ IP product when used as described in the product documentation. Xilinx cannot guarantee timing, functionality, or support if you do any of the following:

- Implement the solution in devices that are not defined in the documentation.
- Customize the solution beyond that allowed in the product documentation.
- Change any section of the design labeled DO NOT MODIFY.

To contact Xilinx Technical Support, navigate to the [Xilinx Support web page](#).

Licensing and Ordering Information

This Xilinx LogiCORE IP module is provided under the terms of the [Xilinx Core License Agreement](#). For full access to all core functionalities in simulation and in hardware, you must purchase a license for the core. Contact your [local Xilinx sales representative](#) for information about pricing and availability of Xilinx LogiCORE IP.

For more information about the CPRI core and about obtaining a license, visit the [CPRI product page](#).

For more information about the RS-FEC core and about obtaining a license, visit the [RS-FEC product page](#).

Information about this and other Xilinx LogiCORE IP modules is available at the [Xilinx Intellectual Property](#) page. For information on pricing and availability of other Xilinx LogiCORE IP modules and tools, contact your [local Xilinx sales representative](#).

Related Information

Xilinx products are not intended for use in life-support appliances, devices, or systems. Use of a Xilinx product in such an application without the written consent of the appropriate Xilinx officer is prohibited.

Revision History

Date	Version	Revision
10/4/2017	8.8	<ul style="list-style-type: none"> Added support for 100G Ethernet hard RS-FEC in UltraScale+ parts Replaced fifo generator instance with xpm_fifo Added freerun clock rate field to GUI - used by UltraScale GT wizard reset block
05/04/2017	8.7	<ul style="list-style-type: none"> Added stat_rx_delay_value port Added 24,330.24 Mb/s support on UltraScale+ -1 speed grade devices
10/05/2016	8.7	<ul style="list-style-type: none"> Added 24,330.24 Mb/s support for GTYE4-based devices Added Reed-Solomon Forward Error Correction
04/06/2016	8.6	<ul style="list-style-type: none"> Added 24,330.24 Mb/s support with a 64-bit datapath option Added 12,165.12 Mb/s to Kintex-7, Zynq-7000 and Virtex-7 devices Added debug register and enhanced FIFO transit time registers
11/18/2015	8.5	<ul style="list-style-type: none"> Added support for UltraScale+ families. Added support for GTYE3, GTHE4, and GTYE4 transceivers. Added 12,165.12 Mb/s support. Replaced <i>CPRI Specification v6.0, August 30, 2013</i> with <i>CPRI Specification v6.1, July 1, 2014</i>.
09/30/2015	8.5	<ul style="list-style-type: none"> Added UltraScale architecture support for 8,110.08 Mb/s and 12,165.12 Mb/s line rates Added transceiver location selection for UltraScale devices Added Ethernet FIFO Fill Level register Added insertion loss settings for UltraScale device based cores
04/01/2015	8.4	<ul style="list-style-type: none"> Changed UltraScale device 10,137.6 Mb/s implementation to use the asynchronous gearbox Added a software reset feature Added support for GTYE3 transceivers in Virtex® UltraScale devices
10/01/2014	8.3	<ul style="list-style-type: none"> Added speed switching to the 10,137.6 Mb/s capable cores Added the watchdog timer register Added the transceiver data monitor interface
06/04/2014	8.2	Associated Product Guide (PG056) updated with parameter table.
04/02/2014	8.2	Added 10137.6 Mb/s line rate
12/18/2013	8.1	<ul style="list-style-type: none"> Added UltraScale architecture support Added transceiver debug interface
10/02/2013	8.0	<ul style="list-style-type: none"> Revision number advanced to 8.0 to align with core version number Added option to bypass the Ethernet frame buffers
03/20/2013	3.0	Updated for Vivado Design Suite and core version 7.0. Removed all ISE design tools and architectures not supported for Vivado.
12/18/2012	2.0	Updated for ISE Design Suite 14.4, Vivado Design Suite 2012.4, and core version 6.1.
07/25/2012	1.0	Initial Xilinx release. Replaces ds611. Data sheet information was incorporated into the new product guide, pg056.

Please Read: Important Legal Notices

The information disclosed to you hereunder (the "Materials") is provided solely for the selection and use of Xilinx products. To the maximum extent permitted by applicable law: (1) Materials are made available "AS IS" and with all faults, Xilinx hereby DISCLAIMS ALL WARRANTIES AND CONDITIONS, EXPRESS, IMPLIED, OR STATUTORY, INCLUDING BUT NOT LIMITED TO WARRANTIES OF MERCHANTABILITY, NON-INFRINGEMENT, OR FITNESS FOR ANY PARTICULAR PURPOSE; and (2) Xilinx shall not be liable (whether in contract or tort, including negligence, or under any other theory of liability) for any loss or damage of any kind or nature related to, arising under, or in connection with, the Materials (including your use of the Materials), including for any direct, indirect, special, incidental, or consequential loss or damage (including loss of data, profits, goodwill, or any type of loss or damage suffered as a result of any action brought by a third party) even if such damage or loss was reasonably foreseeable or Xilinx had been advised of the possibility of the same. Xilinx assumes no obligation to correct any errors contained in the Materials or to notify you of updates to the Materials or to product specifications. You may not reproduce, modify, distribute, or publicly display the Materials without prior written consent. Certain products are subject to the terms and conditions of Xilinx's limited warranty, please refer to Xilinx's Terms of Sale which can be viewed at <https://www.xilinx.com/legal.htm#tos>; IP cores may be subject to warranty and support terms contained in a license issued to you by Xilinx. Xilinx products are not designed or intended to be fail-safe or for use in any application requiring fail-safe performance; you assume sole risk and liability for use of Xilinx products in such critical applications, please refer to Xilinx's Terms of Sale which can be viewed at <https://www.xilinx.com/legal.htm#tos>.

AUTOMOTIVE APPLICATIONS DISCLAIMER

AUTOMOTIVE PRODUCTS (IDENTIFIED AS "XA" IN THE PART NUMBER) ARE NOT WARRANTED FOR USE IN THE DEPLOYMENT OF AIRBAGS OR FOR USE IN APPLICATIONS THAT AFFECT CONTROL OF A VEHICLE ("SAFETY APPLICATION") UNLESS THERE IS A SAFETY CONCEPT OR REDUNDANCY FEATURE CONSISTENT WITH THE ISO 26262 AUTOMOTIVE SAFETY STANDARD ("SAFETY DESIGN"). CUSTOMER SHALL, PRIOR TO USING OR DISTRIBUTING ANY SYSTEMS THAT INCORPORATE PRODUCTS, THOROUGHLY TEST SUCH SYSTEMS FOR SAFETY PURPOSES. USE OF PRODUCTS IN A SAFETY APPLICATION WITHOUT A SAFETY DESIGN IS FULLY AT THE RISK OF CUSTOMER, SUBJECT ONLY TO APPLICABLE LAWS AND REGULATIONS GOVERNING LIMITATIONS ON PRODUCT LIABILITY.

Компания «Океан Электроники» предлагает заключение долгосрочных отношений при поставках импортных электронных компонентов на взаимовыгодных условиях!

Наши преимущества:

- Поставка оригинальных импортных электронных компонентов напрямую с производств Америки, Европы и Азии, а так же с крупнейших складов мира;
- Широкая линейка поставок активных и пассивных импортных электронных компонентов (более 30 млн. наименований);
- Поставка сложных, дефицитных, либо снятых с производства позиций;
- Оперативные сроки поставки под заказ (от 5 рабочих дней);
- Экспресс доставка в любую точку России;
- Помощь Конструкторского Отдела и консультации квалифицированных инженеров;
- Техническая поддержка проекта, помощь в подборе аналогов, поставка прототипов;
- Поставка электронных компонентов под контролем ВП;
- Система менеджмента качества сертифицирована по Международному стандарту ISO 9001;
- При необходимости вся продукция военного и аэрокосмического назначения проходит испытания и сертификацию в лаборатории (по согласованию с заказчиком);
- Поставка специализированных компонентов военного и аэрокосмического уровня качества (Xilinx, Altera, Analog Devices, Intersil, Interpoint, Microsemi, Actel, Aeroflex, Peregrine, VPT, Syfer, Eurofarad, Texas Instruments, MS Kennedy, Miteq, Cobham, E2V, MA-COM, Hittite, Mini-Circuits, General Dynamics и др.);

Компания «Океан Электроники» является официальным дистрибьютором и эксклюзивным представителем в России одного из крупнейших производителей разъемов военного и аэрокосмического назначения «JONHON», а так же официальным дистрибьютором и эксклюзивным представителем в России производителя высокотехнологичных и надежных решений для передачи СВЧ сигналов «FORSTAR».



JONHON

«JONHON» (основан в 1970 г.)

Разъемы специального, военного и аэрокосмического назначения:

(Применяются в военной, авиационной, аэрокосмической, морской, железнодорожной, горно- и нефтедобывающей отраслях промышленности)

«FORSTAR» (основан в 1998 г.)

ВЧ соединители, коаксиальные кабели,
кабельные сборки и микроволновые компоненты:

(Применяются в телекоммуникациях гражданского и специального назначения, в средствах связи, РЛС, а так же военной, авиационной и аэрокосмической отраслях промышленности).



Телефон: 8 (812) 309-75-97 (многоканальный)

Факс: 8 (812) 320-03-32

Электронная почта: ocean@oceanchips.ru

Web: <http://oceanchips.ru/>

Адрес: 198099, г. Санкт-Петербург, ул. Калинина, д. 2, корп. 4, лит. А