

Typical unit

## FEATURES

- Designed for Regulated Intermediate Bus Architectures (RIBA).
- Designed & Tested to Meet the Requirements of IPC9592, Rev B.
- 96.3% Ultra-High Efficiency at Full Load.
- 36V-60V DC Input Range (48V nominal).
- Monotonic Startup into Pre-Bias Output Conditions.
- Over-Current & Over-Temperature Protection.
- Synchronous Rectifier Topology.
- Stable No-Load Operation.
- Negative Logic Standard Configuration (Positive Logic Optional).
- Up To +85° Celsius Thermal Performance (With Derating).
- Remote On/Off Enable Control.
- Fully Isolated to 1500Vdc.
- Extensive Protection Features - UVLO, OVP, OCP, SCP, OTP.
- Full Safety, Emissions and Environmental Certifications.
- Approved to UL 60950-1, CSA-C22.2 No.60950-1, IEC/EN 60950-1 Safety Approvals.

## PRODUCT OVERVIEW

The DRQ-11.4/88-L48NB-C regulated converter module deliver a 11.2V output @  $V_{in} = 48V_{dc}$  in a quarter brick open frame package at astonishing efficiency. The fully isolated (1500Vdc) DRQ-11.4/88-L48NB-C series accept a 36 to 60 Volt DC input voltage range and converts it to a low Vdc output that drives external point-of-load (PoL) DC-DC power converters such as Murata Power Solutions' tiny Okami series which feature precise regulation directly at the load. Applications include datacom and telecom installations, cellular dataphone repeaters, base stations, instruments and embedded systems. Wideband output ripple and noise is typical 100mV, peak-to-peak.

The DRQ's synchronous-rectifier topology and fixed frequency operations means excellent efficiencies up to 96.3%.

A wealth of electronic protection features include input under voltage lockout, over voltage lockout protection, output current limit, current sharing, short circuit hiccup, Vout overshoot, and over temperature shutdown. Available options include various pin lengths and the baseplate. Assembled using ISO-certified automated surface-mount techniques, the DRQ series is designed to meet all UL and IEC emissions, safety and flammability certifications.

Output (V)	Current (A)	Nominal Input (V)
11.2	88	48

Optimized for distributed power Regulated Intermediate Bus Architectures (RIBA), the DRQ DC-DC converter series offer regulated outputs in a quarter brick open frame package.

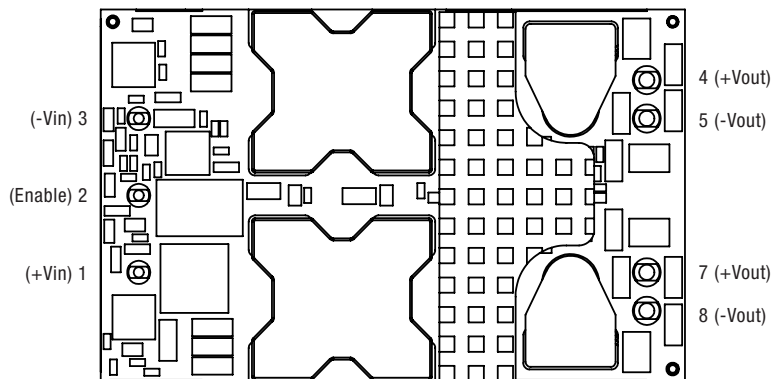


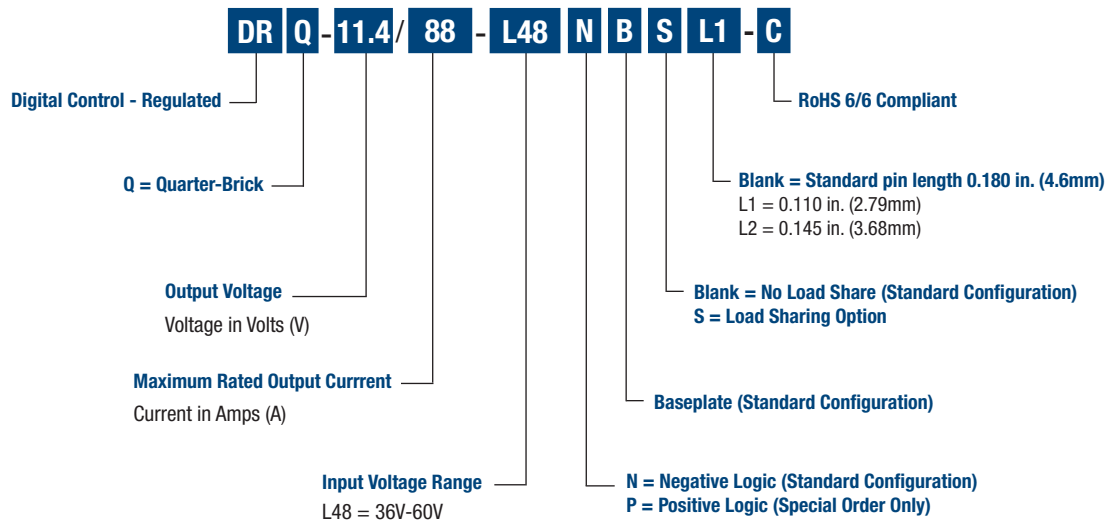
Figure 1. Bottom View From Pin Side



PERFORMANCE SPECIFICATIONS SUMMARY AND ORDERING GUIDE											
Root Model [1]	Output				Input				Efficiency Typ.	Dimensions with baseplate	
	V <sub>OUT</sub> (V)	I <sub>OUT</sub> (A, max.)	Total Power (W)	Ripple & Noise (mVp-p, Max.)	V <sub>IN</sub> (V, Nom.)	Range (V)	I <sub>IN</sub> , no load (mA)	I <sub>IN</sub> , full load (A)		Case (inches)	Case (mm)
DRQ-11.4/88-L48NB-C	11.2	88	986	150	48	36-60	300	21.7	96.3%	2.3 x 1.45 x 0.57	58.42 x 36.83 x 14.5

- Notes:
- [1] Please refer to the part number structure for additional options and complete ordering part numbers.
  - [2] All specifications are at nominal line voltage and full load, +25 °C. unless otherwise noted. See detailed specifications. Output capacitors are 1µF ceramic in parallel with 10µF and 470 µF electrolytic. Input capacitors are 220 µF electrolytic. I/O caps are necessary for our test equipment and may not be needed for your application.

## PART NUMBER STRUCTURE



Note:  
Some model number combinations may not be available. See website or contact your local Murata sales representative.

### FUNCTIONAL SPECIFICATIONS

ABSOLUTE MAXIMUM RATINGS	Conditions	Minimum	Typical/Nominal	Maximum	Units
Input Voltage, Continuous		36	48	60	Vdc
Input Voltage, Transient	100 mS maximum duration	75			Vdc
Isolation Voltage	Input to output	1500			Vdc
On/Off Remote Control	Power on, referred to -Vin	0		0.8	Vdc
Output Power		0	986	986	W
Output Current	Current-limited, no damage, short-circuit protected	0	88	88	A
Storage Temperature Range	Vin = Zero (no power)	-40		100	°C

Absolute maximums are stress ratings. Exposure of devices to greater than any of these conditions may adversely affect long-term reliability. Proper operation under conditions other than those listed in the Performance/Functional Specifications Table is not implied nor recommended.

INPUT					
Internal Filter Type			Pi		
External Input Fuse	Recommended			45	A
External Input Capacitance		140	80		µF
Voltage					
Operating Voltage Range		36	48	60	Vdc
Start-up Threshold		34	35	36	Vdc
Undervoltage Shutdown		32	33.1	35	Vdc
Voltage Transients	100ms duration	75			Vdc
Current					
Full Load Conditions	Vin = nominal		21.7	23	A
Low Line Input Current	Vin = minimum		28.9	30	A
Short Circuit Input Current			0.03	0.05	A
No Load Input Current	Iout = minimum, unit=ON		300	400	mA
Inrush Current				50	% of Iin
Shut-down Mode Input Current	Off, UV, OT		20	50	mA
Back Ripple Current	measured at input pins with 800µF input capacitance			1000	mArms
OUTPUT					
Total Output Power		0	986	986	W
Voltage (Without S Option)					
Output Voltage		10.95	11.20	11.65	Vdc
Setting Accuracy	At 50% load, no trim, all conditions	11.15	11.20	11.25	Vdc
Voltage (With S Option)					
Output Voltage		10.75	11.20	11.65	Vdc
Setting Accuracy	At 50% load, no trim, all conditions	11.05	11.20	11.45	Vdc
Oversvoltage Protection		12.20	13.70	15.20	Vdc
Current					
Output Current Range		0	88	88	A
Minimum Load			No minimum load		
Current Limit Inception	90% of Vnom., cold condition, after warm up	96	105	115	A
Short Circuit					
Short Circuit Duration (Remove Short for Recovery)	Output shorted to ground, no damage		Continuous		
Short Circuit Protection Method	Hiccup current limiting		Auto recovery		
Regulation					
Line Regulation	Vin = 36-60, Vout = nom., full load			±0.5	%
Load Regulation (No Droop)	Iout = min. to max., Vin = nom.			±0.2	%
Ripple and Noise	20MHz BW, Cout = 470µF, approximately 50% ceramic, 50% Oscon or POSCAP, measured at output pins		100	150	mV pk-pk
Pre-Bias Voltage	Cout = 470µF, approximately 50% ceramic, 50% Oscon or POSCAP. Measured at output pins, bandwidth = 20MHz		0		Vdc
Temperature Coefficient (No Droop)	At all outputs		N/A		% of Vnom./°C
Max. Output Capacitance	Typically 50% ceramic, 50% Oscon or POSCAP	470		10000	µF
GENERAL and SAFETY					
Efficiency	Vin = 48V, full load	95.5	96.3		%
Isolation					
Input to Output Test Voltage		1500			Vdc
Input to Baseplate Test Voltage		1000			Vdc
Baseplate to Output Test Voltage		1000			Vdc
Safety Rating			Functional		

### FUNCTIONAL SPECIFICATIONS (CONT.)

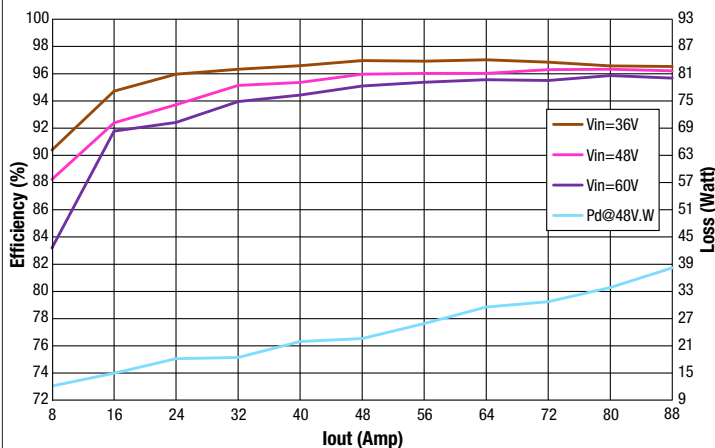
Isolation Resistance			N/A		MΩ
Isolation Capacitance			1000		µF
Safety	UL 60950-1, CSA-C22.2 No.60950-1, IEC/EN 609050-1		Yes		
Calculated MTBF	Per Telcordia SR-332, Issue 3, Method 1, Class 1, Ground Fixed, Tcase=+25°C		4800		Hours x 10 <sup>3</sup>
<b>DYNAMIC CHARACTERISTICS</b>					
Switching Frequency			180		KHz
<b>Turn On Time</b>					
Vin On to Vout Regulated		20	25	30	mS
Remote On to Vout Regulated			2.5	5	mS
Rise Time				15	mS
Restart Delay				250	mS
Dynamic Load Response	Load step = 25% of Rated Power at 1A/uS, 4uF/W of external capacitance, measured at output pins.			500	µSec
Dynamic Load Peak Deviation	Measured at output pin with 470µF output capacitance, 50% Ceramic, 50% Oscon or POSCAP			±350	mV
<b>FEATURES and OPTIONS</b>					
Remote On/Off Control (Voltages referenced to -Input, Designed to be driven with an open collector logic)					
<b>"N" Suffix:</b>					
Negative Logic, ON state	ON = ground pin or external voltage	-0.1		0.8	Vdc
Negative Logic, OFF state	OFF = pin open or external voltage	2.4		20	Vdc
<b>"P" Suffix:</b>					
Positive Logic, ON State	ON = pin open or external voltage	2.4		20	Vdc
Positive Logic, OFF State	OFF = ground pin or external voltage	-0.1		0.8	Vdc
<b>MECHANICAL</b>					
Outline Dimensions (With Baseplate)			2.3 x 1.45 x 0.57		Inches
			58.42 x 36.83 x 14.5		mm
Weight (With Baseplate)			3.14		Ounces
			80		Grams
Through Hole Pin Diameter			0.06 & 0.04		Inches
			1.524 & 1.016		mm
Through Hole Pin Material			Copper alloy		
TH Pin Plating Metal and Thickness	Nickel subplate		98.4-299		µ-inches
	Gold overplate		4.7-19.6		µ-inches
<b>ENVIRONMENTAL</b>					
<b>Temperature</b>					
Operating Ambient Temperature Range		-40		85	°C
Operating Baseplate Temperature	No Derating Required	-40		120	°C
Storage Temperature	Vin = Zero (no power)	-40		100	°C
Thermal Protection/Shutdown (With "B" Suffix)	Baseplate temperature measured in the center		130		°C
Electromagnetic Interference Conducted, EN55022/CISPR22	External filter required; See emissions performance test.		B		Class
RoHS Rating			RoHS-6		

Notes:

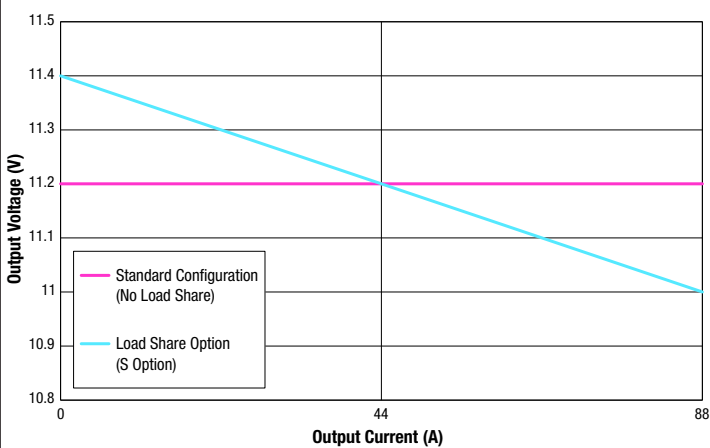
- [1] Unless otherwise noted, all specifications apply over the input voltage range, full temperature range, nominal output voltage and full output load. General conditions are near sea level altitude, heat sink installed and natural convection airflow unless otherwise specified. All models are tested and specified with external parallel 1 µF and 10 µF ceramic and 470 µF electrolytic output capacitors. 220 µF electrolytic external input capacitor is used (see Application Notes). All capacitors are low-ESR types wired close to the converter. These capacitors are necessary for our test equipment and may not be needed in the user's application.
- [2] Measured at input pin with maximum specified Cin and <500µH inductance between voltage source and Cin.
- [3] All models are stable and regulate to specification under no load.
- [4] The Remote On/Off Control is referred to -Vin.
- [5] Inrush Current is defined as the peak current drawn by the unit when unit is enabled after Vin is present. Iin is defined as the steady-state operating current when unit is operating under same conditions.

## PERFORMANCE DATA

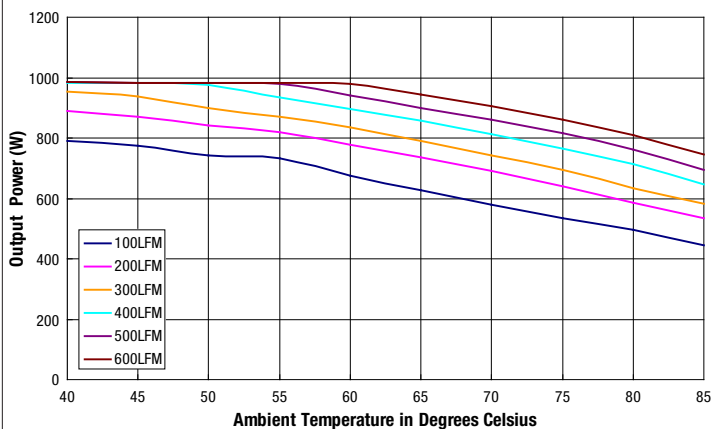
Efficiency and Power dissipation @ +25°C



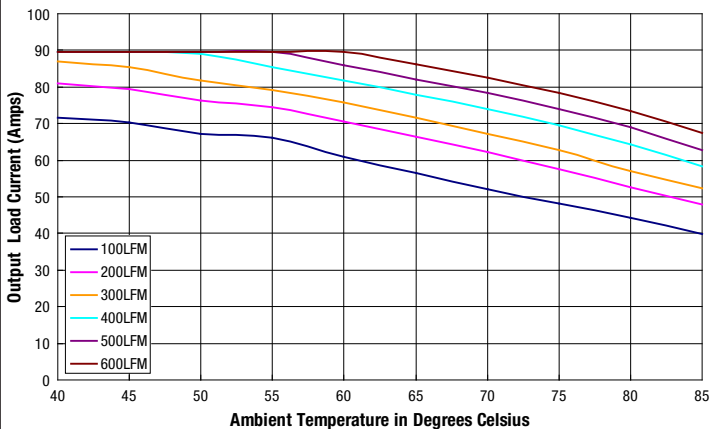
Output Voltage vs. Load Current



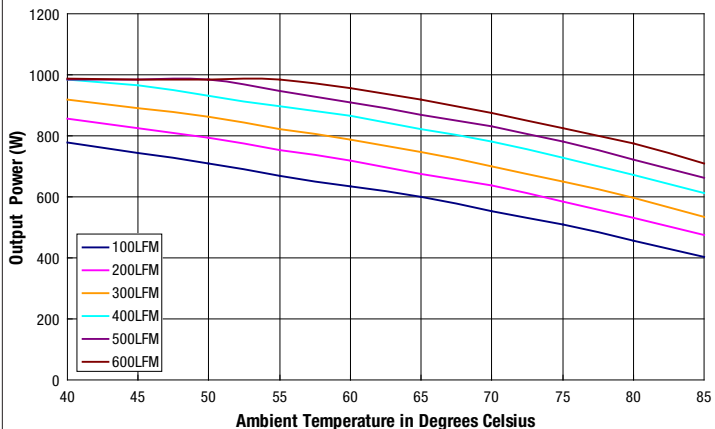
Maximum Power Temperature Derating at sea level  
(Vin=48V, airflow from Vin- to Vin+, with heatsink on 10X10 inch board)



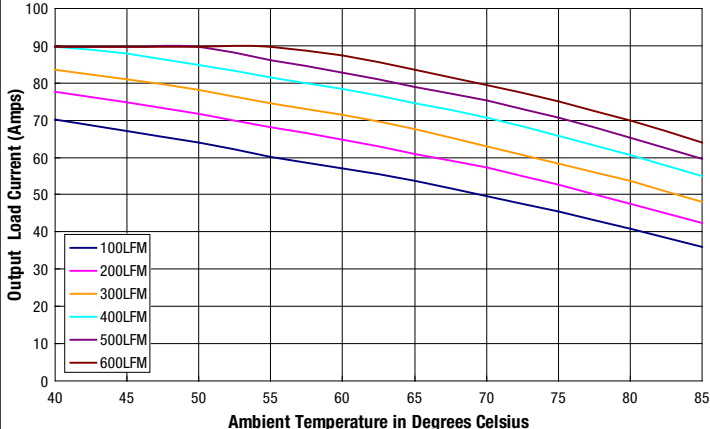
Maximum Current Temperature Derating at sea level  
(Vin=48V, airflow from Vin- to Vin+, with heatsink on 10X10 inch board)



Maximum Power Temperature Derating at sea level  
(Vin=48V, airflow from Vin to Vout, with heatsink on 10X10 inch board)

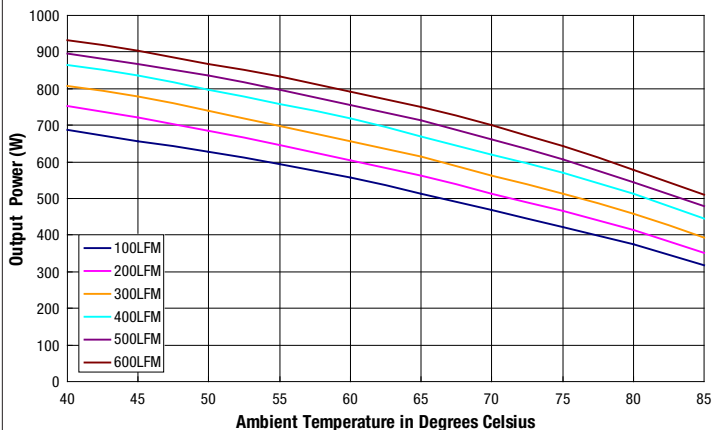


Maximum Current Temperature Derating at sea level  
(Vin=48V, airflow from Vin to Vout, with heatsink on 10X10 inch board)

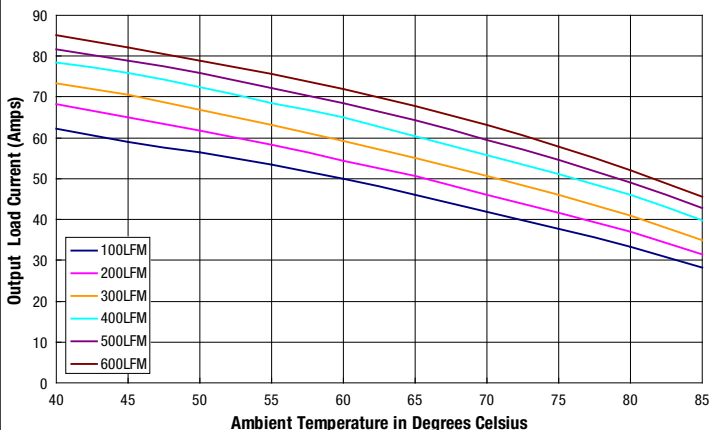


**PERFORMANCE DATA**

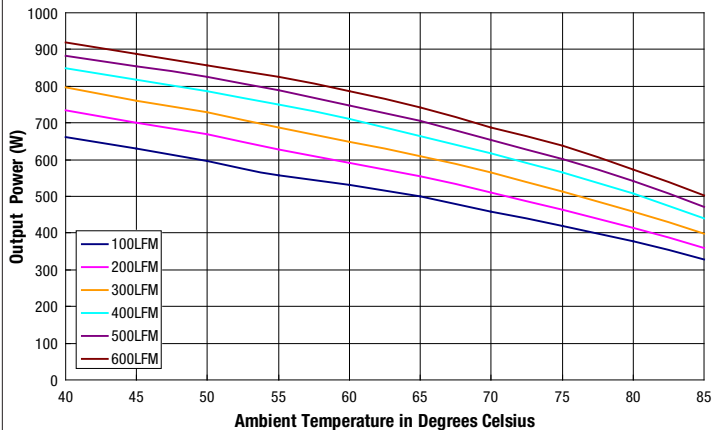
Maximum Power Temperature Derating at sea level  
(Vin=48V, airflow from Vin- to Vin+, with baseplate on 10x10 inch board)



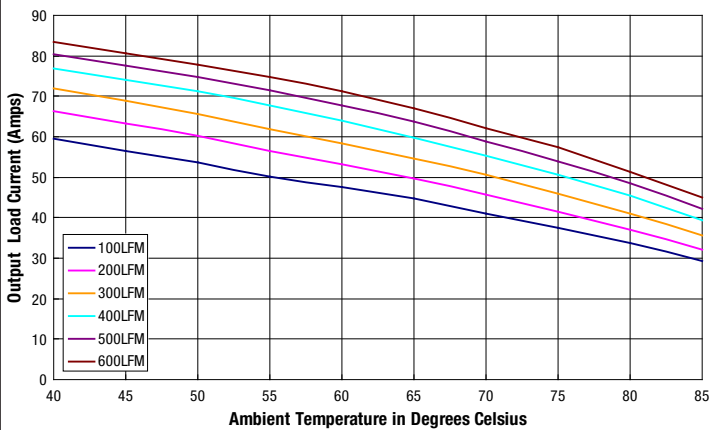
Maximum Current Temperature Derating at sea level  
(Vin=48V, airflow from Vin- to Vin+, with baseplate on 10x10 inch board)



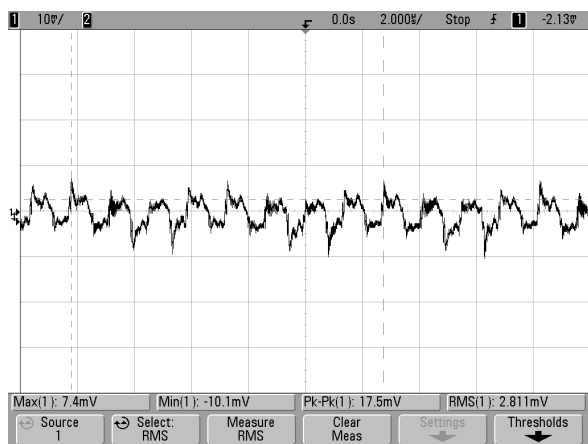
Maximum Power Temperature Derating at sea level  
(Vin=48V, airflow from Vin to Vout, with baseplate on 10X10 inch board)



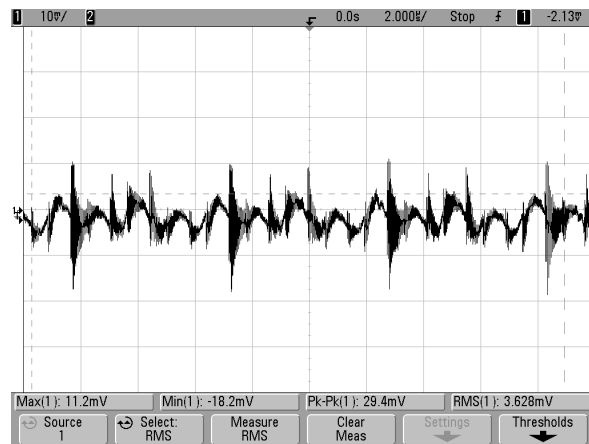
Maximum Current Temperature Derating at sea level  
(Vin=48V, airflow from Vin to Vout, with baseplate on 10X10 inch board)



Output Voltage Ripple @ BW=20MHz  
Vin=48V, Iout=0A, Cout=700µF, Ta=+25°C, 2µS/div

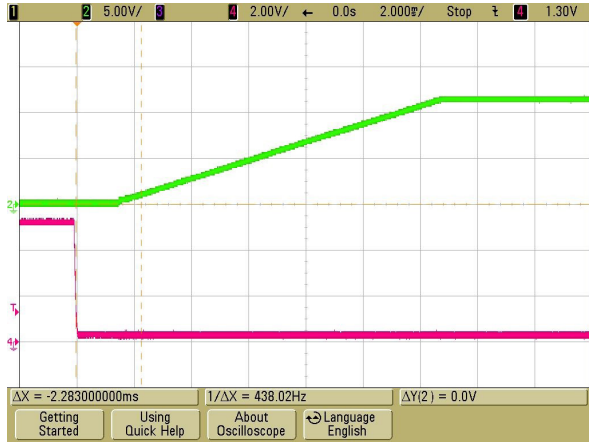


Output Voltage Ripple @ BW=20MHz  
Vin=48V, Iout=88A, Cout=700µF, Ta=+25°C, 2µS/div

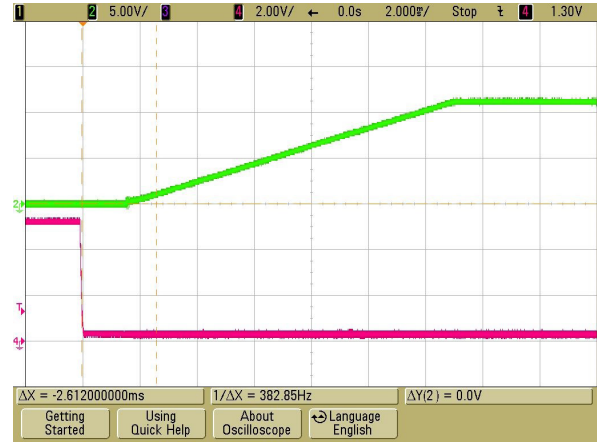


## PERFORMANCE DATA

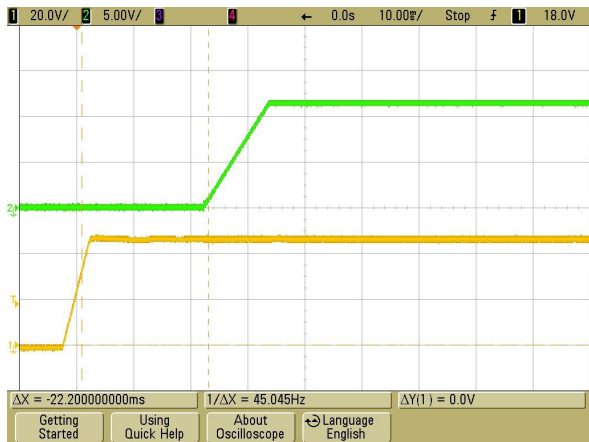
Enable Start-up Delay (CH2: Vout, CH4: On/Off)  
Vin=48V, Iout=0A, Cload=10000µF, Ta=+25°C, 2mS/div



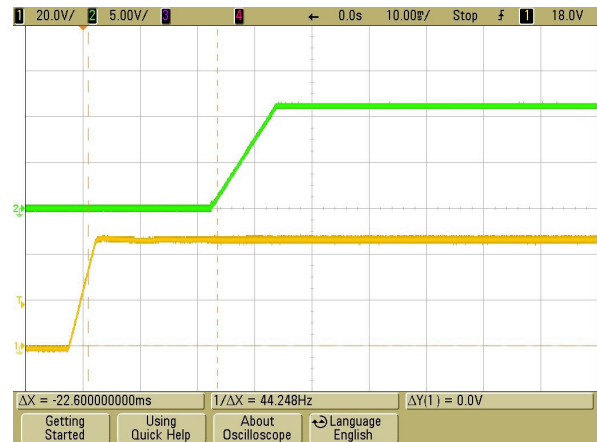
Enable Start-up Delay (CH2: Vout, CH4: On/Off)  
Vin=48V, Iout=88A, Cload=10000µF, Ta=+25°C, 2mS/div



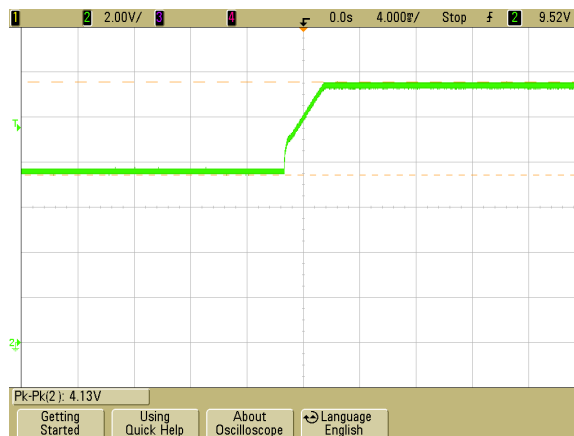
Vin Start-up Delay (CH2: Vout, CH1: Vin)  
Vin=48V, Iout=0A, Cload=10000µF, Ta=+25°C, 10mS/div



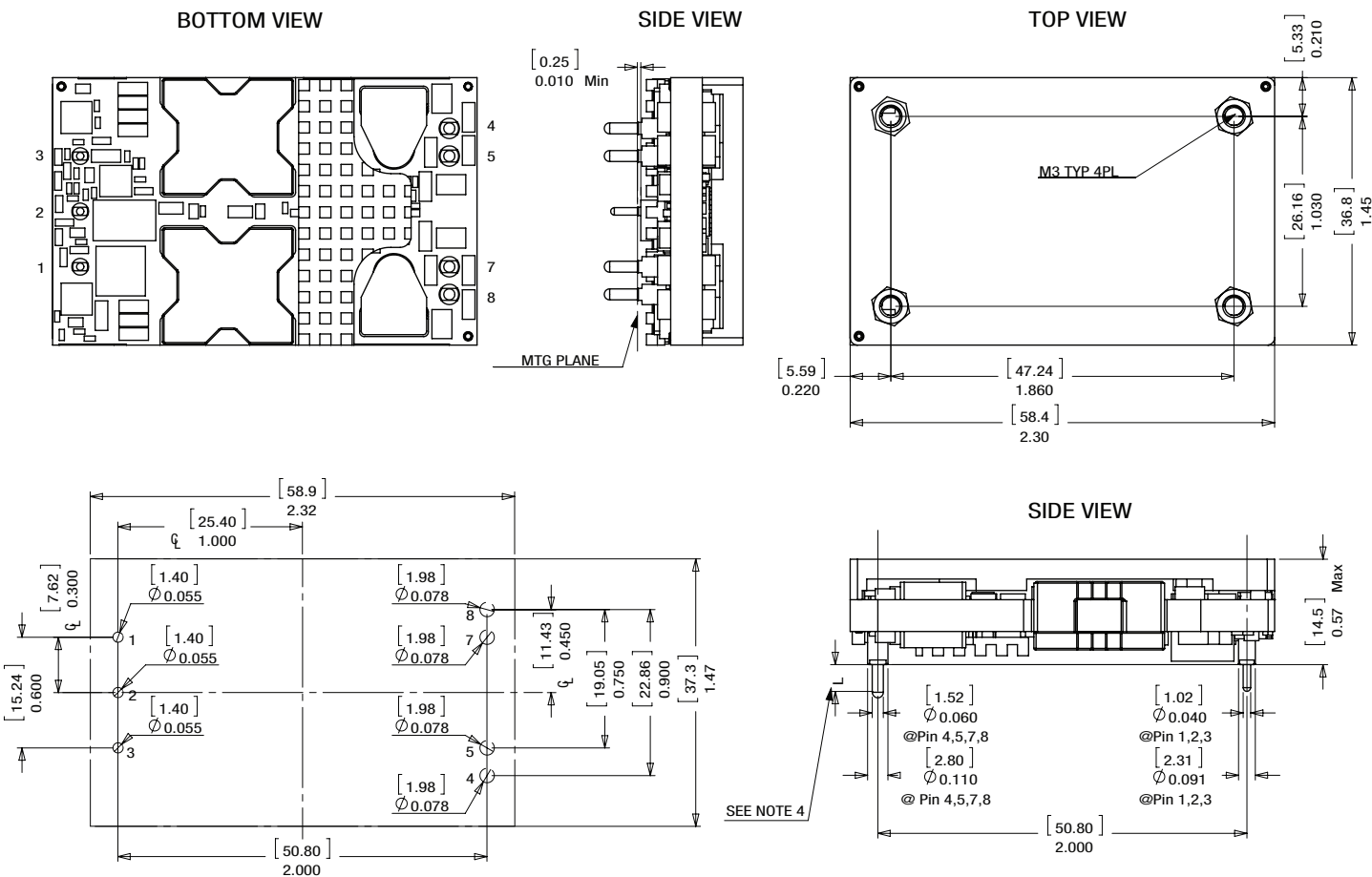
Vin Start-up Delay (CH2: Vout, CH1: Vin)  
Vin=48V, Iout=88A, Cload=10000µF, Ta=+25°C, 10mS/div



Output Pre-bias Start-up  
Vin=48V, Iout=0A, Cload=470µF, Ta=+25°C, 4mS/div



**MECHANICAL SPECIFICATIONS (THROUGH-HOLE MOUNT)**

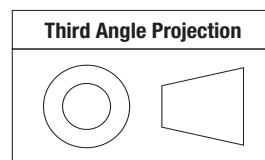


**RECOMMEND PCB FOOTPRINT**

**MATERIAL:**  
 Dia 0.040 PINS: COPPER ALLOY  
 FINISH: (ALL PINS)  
 GOLD (5µ"MIN) OVER NICKEL (100µ"MIN)

- NOTES:**  
 UNLESS OTHERWISE SPECIFIED  
 [1] M3 SCREW USED TO BOLT UNIT'S BASEPLATE TO OTHER SURFACES (SUCH AS HEATSINK) MUST NOT EXCEED 0.110" (2.8mm) DEPTH BELOW THE SURFACE OF BASEPLATE.  
 [2] APPLIED TORQUE PER SCREW SHOULD NOT EXCEED 5.3In-lb (0.6Nm).  
 [3] ALL DIMENSION ARE IN INCHES (MILIMETER).  
 [4] STANDARD PIN LENGTH: 0.180Inch.  
 [5] FOR L2 PIN LENGTH OPTION IN MODEL NAME., USE STANDARD L2 PIN WITH PIN LENGTH TO 0.145Inch.  
 [6] ALL TOLERANCES: x.xx in, ±0.02 in (x.xmm, ±0.5mm)  
 x.xxx in, ±0.01 in (x.xxmm, ±0.25mm).  
 [7] COMPONENTS WILL VARY BETWEEN MODELS.

Dimensions are in inches (mm shown for ref. only).



Tolerances (unless otherwise specified):  
 .XX ± 0.02 (0.5)  
 .XXX ± 0.010 (0.25)  
 Angles ± 2°

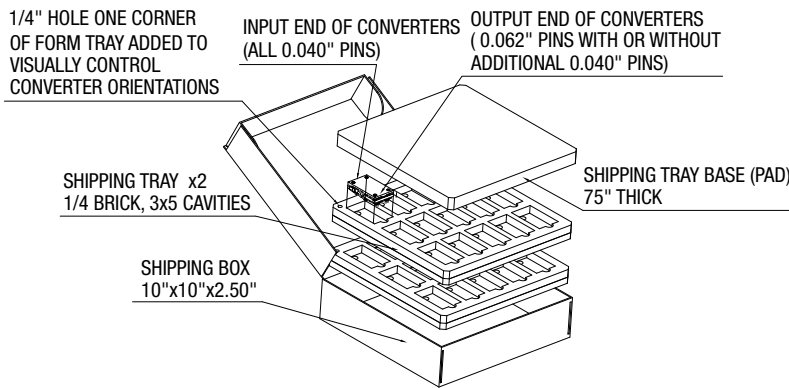
Components are shown for reference only and may vary between units.

INPUT/OUTPUT CONNECTIONS			
PIN	FUNCTION	PIN	FUNCTION
1	Vin(+)	5	Vout(-)
2	Enable		
3	Vin(-)	7	Vout(+)
4	Vout(+)	8	Vout(-)

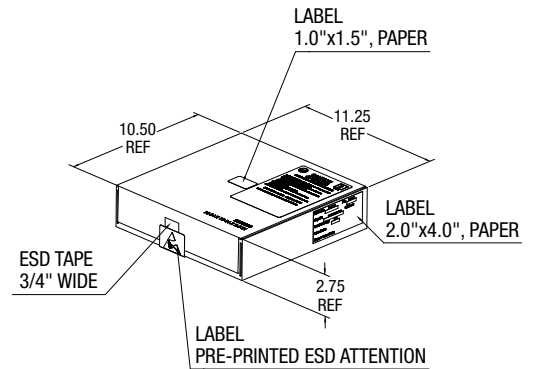
Please refer to the part number structure for alternate pin lengths.



**SHIPPING TRAYS AND BOXES, THROUGH-HOLE MOUNT**



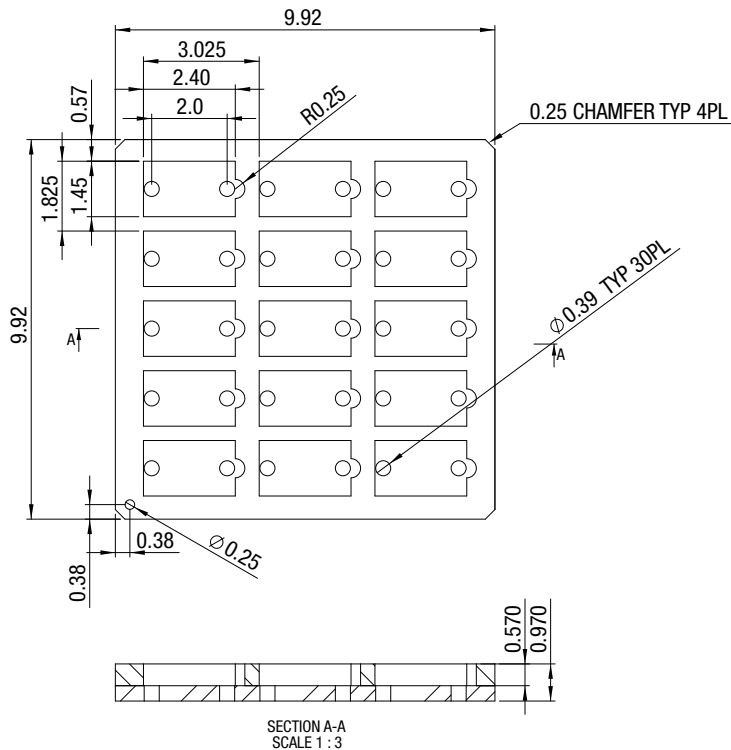
CARTON ACCOMMODATES 2 TRAYS YIELDING 30 CONVERTERS PER CARTON



EACH STATIC DISSIPATIVE POLYETHYLENE FOAM TRAY ACCOMMODATES 15 CONVERTERS IN A 3x5 ARRAY

**SHIPPING TRAY DIMENSIONS**

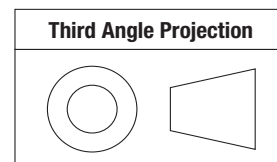
DRQ modules are supplied in a 15-piece (5 x 3) shipping tray. The tray is an anti-static closed-cell polyethylene foam. Dimensions are shown below.



**NOTES:**

- 1: LOW DENSITY CLOSED CELL POLYETHYLENE STATIC DISSIPATIVE FOAM:10
- 2: SURFACE RESISTIVITY:10 OHMS PER SQUARE  
MAXIMUM DENSITY: 1.8 PCF
- 3: COMPRESSION SET: VERTICAL DIRECTION <20%
- 4: COMPRESSION DEFLECTION: ASTM D 3575 SUFFIX D @ 10%  
VERTICAL 5PSI  
EXTRUDED 7PSI  
HORIZONTAL 3PSI
- 5: COMPRESSION DEFLECTION : ASTM D 3575 SUFFIX D @ 25%  
VERTICAL 7PSI  
EXTRUDED 8PSI  
HORIZONTAL 5PSI
- 6: COMPRESSION DEFLECTION:ASTM D 3575 SUFFIX D @ 50%  
VERTICAL 13PSI  
EXTRUDED 15PSI  
HORIZONTAL 12PSI  
TENSILE STRENGTH: 35PSI AVERAGE

Dimensions are in inches (mm shown for ref. only).



Tolerances (unless otherwise specified):

- .XX ± 0.02 (0.5)
- .XXX ± 0.010 (0.25)
- Angles ± 1°

Components are shown for reference only and may vary between units.

**TECHNICAL NOTES**

**Load Sharing**

Load sharing occurs when two or more DRQ-11.4/88-L48NB-C s are connected in parallel at both the input and output terminals to supply greater output current than one unit alone or to offer system redundancy for moderate loads. If one converter fails, the other converter(s) will carry the load until the system is repaired.

The DRQ-11.4/88-L48NB-C 's design allows load sharing using the "droop" method, also called the "direct connect" technique. Simply put, at light loads, the converter with slightly higher output voltage will carry more of the output current. Since the DRQ-11.4/88-L48NB-C 's synchronous rectifier design will not accept appreciable reverse output current, starting at zero load, the DRQ-11.4/88-L48NB-C with the higher output voltage will carry more of the full load until the voltage at the output drops to that of the lower DRQ-11.4/88-L48NB-C 's.

**Load Sharing Guidelines**

If you wish to operate two or more DRQ-11.4/88-L48NB-C 's in load sharing, use these guidelines:

[1] Operate both converters connected in parallel to the same 50V input power source. This simplifies the design and makes more balanced power sharing. Using two different 50V input supplies must be carefully analyzed to avoid overloading one of the converters and is not recommended.

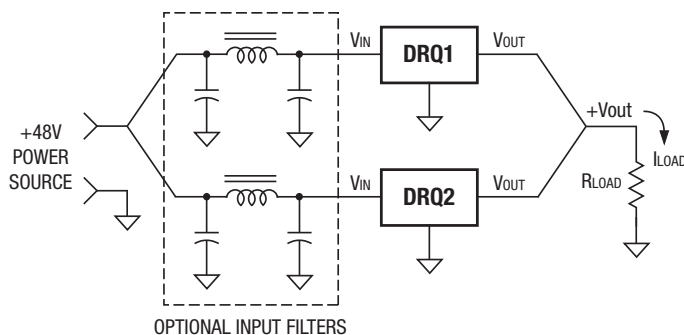


Figure 2. Load Sharing Block Diagram

Make sure the single 50V input source can supply the total current needed by all the parallel-connected DRQ-11.4/88-L48NB-C 's. (Actually, it is possible to rate the full system at more than the current capacity of a single DRQ-11.4/88-L48NB-C . However, you now lose the redundancy protection feature.)

[2] Use conservative loading. Do not assume for example that two parallel DRQ-11.4/88-L48NB-C 's can always supply "times two" amounts of output current. Allow for limits in input voltage and other factors.

If one DRQ-11.4/88-L48NB-C overloads while in load share, it will protect itself by entering the overcurrent mode. If the whole system is running close to maximum output current, the remaining good DRQ-11.4/88-L48NB-C will soon also enter overcurrent mode. These two events probably will not happen together, possibly leaving the system operating in degraded mode for awhile. The solution here is conservative design to avoid getting close to the load limits.

[3] Make the input wiring lengths and wire gauges identical on both inputs and outputs. If in doubt, make some precision measurements under full load. But if you attempt to measure the current in one of the converters using a series shunt, remember that the current meter itself may introduce enough finite resistance to affect the readings. (Hint: Use a non-contacting "clamp-on" Hall effect DC current meter with zero IR loss.)

[4] If you add the optional input filters, use identical components with the same layout.

[5] Operate both converters in the same temperature and airflow environment. Under load sharing, small differences in cooling can amplify into load imbalances.

[6] Avoid operation near the low input voltage limit of the converter. Another subtle factor here is the external source impedance of the input supply. A source with higher source impedance at full load may make the net input voltage seen by the converter close to its minimum input voltage. Be sure to account for the decrease in effective input voltage under load.

For battery sources, this means that the batteries should be freshly charged and that the AC trickle charger is in good working order. Note that older batteries increase their internal cell impedance even if their no-load output voltage appears acceptable. Remember that what counts here is the voltage seen at the DRQ-11.4/88-L48NB-C input connections with full current.

[7] As with any system design, thoroughly test the DRQ-11.4/88-L48NB-C 's connected in load sharing before committing the design to a real application.

**CAUTION** – This converter is not internally fused. To avoid danger to persons or equipment and to retain safety certification, the user must connect an external fast-blow input fuse as listed in the specifications. Be sure that the PC board pad area and etch size are adequate to provide enough current so that the fuse will blow with an overload.

**Start Up Considerations**

When power is first applied to the DC/DC converter, there is some risk of start up difficulties if you do not have both low AC and DC impedance and adequate regulation of the input source. Make sure that your source supply does not allow the instantaneous input voltage to go below the minimum voltage at all times.

Use a moderate size capacitor very close to the input terminals. You may need two or more parallel capacitors. A larger electrolytic or ceramic cap supplies the surge current and a smaller parallel low-ESR ceramic cap gives low AC impedance.

Remember that the input current is carried both by the wiring and the ground plane return. Make sure the ground plane uses adequate thickness copper. Run additional bus wire if necessary.

**On/Off Control**

The input-side, remote On/Off Control function (pin 2) can be ordered to operate with either logic type:

Negative ("N" suffix): Negative-logic devices are off when pin 2 is left open (or pulled high, applying +3.5V to +20V), and on when pin 2 is pulled low (0 to 0.8V) with respect to –Input as shown in Figure 3.

Dynamic control of the remote on/off function is best accomplished with a mechanical relay or an open-collector/open-drain drive circuit (optically isolated if appropriate). The drive circuit should be able to sink appropriate current (see Performance Specifications) when activated and withstand appropriate voltage when deactivated. Applying an external voltage to pin 2 when no input power is applied to the converter can cause permanent damage to the converter.

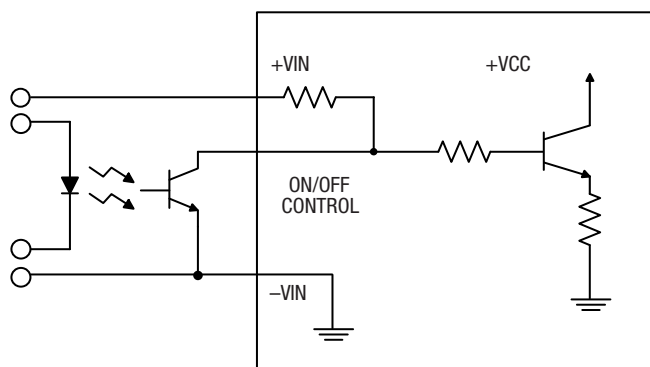


Figure 3. Driving the Negative Logic On/Off Control Pin

**Input Fusing**

Certain applications and/or safety agencies may require fuses at the inputs of power conversion components. Fuses should also be used when there is the possibility of sustained input voltage reversal which is not current-limited. For greatest safety, we recommend a fast blow fuse installed in the ungrounded input supply line.

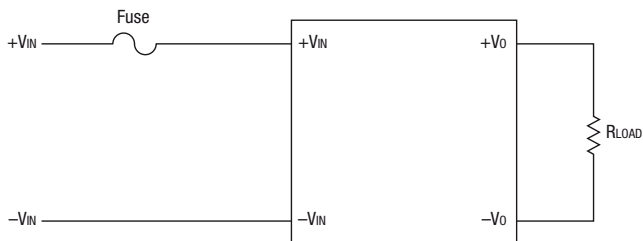


Figure 4. Input Fusing

**Input Under-Voltage Shutdown and Start-Up Threshold**

Under normal start-up conditions, converters will not begin to regulate properly until the rising input voltage exceeds and remains at the Start-Up Threshold Voltage (see Specifications). Once operating, converters will not turn off until the input voltage drops below the Under-Voltage Shutdown Limit. Subsequent restart will not occur until the input voltage rises again above the Start-Up

Threshold. This built-in hysteresis prevents any unstable on/off operation at a single input voltage.

**Start-Up Time**

Assuming that the output current is set at the rated maximum, the Vin to Vout Start-Up Time (see Specifications) is the time interval between the point when the rising input voltage crosses the Start-Up Threshold and the fully loaded output voltage enters and remains within its specified accuracy band. Actual measured times will vary with input source impedance, external input capacitance, input voltage slew rate and final value of the input voltage as it appears at the converter.

These converters include a soft start circuit to moderate the duty cycle of its PWM controller at power up, thereby limiting the input inrush current.

The On/Off Remote Control interval from On command to Vout (final  $\pm 5\%$ ) assumes that the converter already has its input voltage stabilized above the Start-Up Threshold before the On command. The interval is measured from the On command until the output enters and remains within its specified accuracy band. The specification assumes that the output is fully loaded at maximum rated current. Similar conditions apply to the On to Vout regulated specification such as external load capacitance and soft start circuitry.

**Recommended Input Filtering**

The user must assure that the input source has low AC impedance to provide dynamic stability and that the input supply has little or no inductive content, including long distributed wiring to a remote power supply. The converter will operate with no additional external capacitance if these conditions are met.

For best performance, we recommend installing a low-ESR capacitor immediately adjacent to the converter's input terminals. The capacitor should be a ceramic type such as the Murata GRM32 series or a polymer type. Make sure that the input terminals do not go below the undervoltage shutdown voltage at all times. More input bulk capacitance may be added in parallel (either electrolytic or tantalum) if needed.

**Recommended Output Filtering**

The converter will achieve its rated output ripple and noise with no additional external capacitor. However, the user may install more external output capacitance to reduce the ripple even further or for improved dynamic response. Again, use low-ESR ceramic (Murata GRM32 series) or polymer capacitors. Mount these close to the converter. Measure the output ripple under your load conditions.

Use only as much capacitance as required to achieve your ripple and noise objectives. Excessive capacitance can make step load recovery sluggish or possibly introduce instability. Do not exceed the maximum rated output capacitance listed in the specifications.

**Input Ripple Current and Output Noise**

All models in this converter series are tested and specified for input reflected ripple current and output noise using designated external input/output components, circuits and layout as shown in the figures below. The Cbus and Lbus components simulate a typical DC voltage bus.

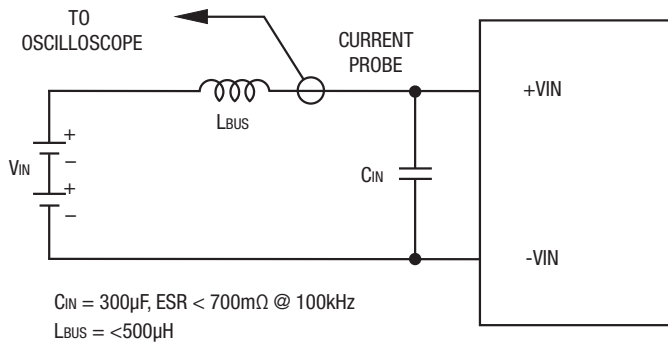


Figure 5. Measuring Input Ripple Current

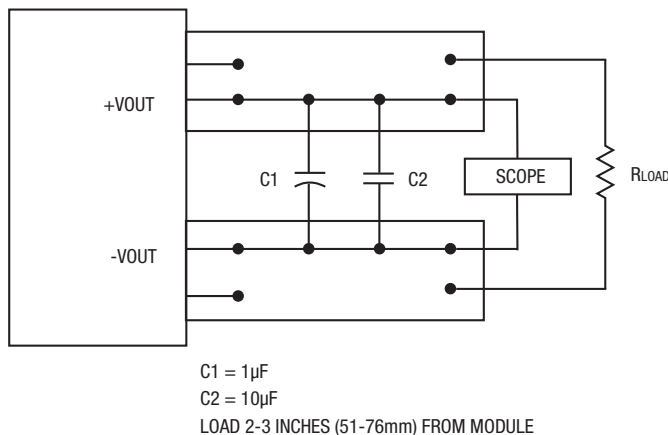


Figure 6. Measuring Output Ripple and Noise (PARD)

**Minimum Output Loading Requirements**

All models regulate within specification and are stable under no load to full load conditions. Operation under no load might however slightly increase output ripple and noise.

**Thermal Shutdown**

To prevent many over temperature problems and damage, these converters include thermal shutdown circuitry. If environmental conditions cause the temperature of the DC/DC's to rise above the Operating Temperature Range up to the shutdown temperature, an on-board electronic temperature sensor will power down the unit. When the temperature decreases below the turn-on threshold, the converter will automatically restart. There is a small amount of hysteresis to prevent rapid on/off cycling.

**CAUTION:** If you operate too close to the thermal limits, the converter may shut down suddenly without warning. Be sure to thoroughly test your application to avoid unplanned thermal shutdown.

**Temperature Derating Curves**

The graphs in this data sheet illustrate typical operation under a variety of conditions. The Derating curves show the maximum continuous ambient air temperature and decreasing maximum output current which is acceptable under increasing forced airflow measured in Linear Feet per Minute (“LFM”). Note that these are AVERAGE measurements. The converter will accept brief increases in current or reduced airflow as long as the average is not exceeded.

Note that the temperatures are of the ambient airflow, not the converter itself which is obviously running at higher temperature than the outside air.

Murata Power Solutions makes Characterization measurements in a closed cycle wind tunnel with calibrated airflow. We use both thermocouples and an infrared camera system to observe thermal performance. As a practical matter, it is quite difficult to insert an anemometer to precisely measure airflow in most applications. Sometimes it is possible to estimate the effective airflow if you thoroughly understand the enclosure geometry, entry/exit orifice areas and the fan flowrate specifications.

**CAUTION:** If you exceed these Derating guidelines, the converter may have an unplanned Over Temperature shut down. Also, these graphs are all collected near Sea Level altitude. Be sure to reduce the derating for higher altitude.

**Output Fusing**

The converter is extensively protected against current, voltage and temperature extremes. However your output application circuit may need additional protection. In the extremely unlikely event of output circuit failure, excessive voltage could be applied to your circuit. Consider using an appropriate fuse in series with the output.

**Output Current Limiting**

Current limiting inception is defined as the point at which full power falls below the rated tolerance. See the Performance/Functional Specifications. Note particularly that the output current may briefly rise above its rated value in normal operation as long as the average output power is not exceeded. This enhances reliability and continued operation of your application. If the output current is too high, the converter will enter the short circuit condition.

**Output Short Circuit Condition**

When a converter is in current-limit mode, the output voltage will drop as the output current demand increases. If the output voltage drops too low (approximately 97% of nominal output voltage for most models), the PWM controller will shut down. Following a time-out period, the PWM will restart, causing the output voltage to begin rising to its appropriate value. If the short-circuit condition persists, another shutdown cycle will initiate. This rapid on/off cycling is called “hiccup mode.” The hiccup cycling reduces the average output current, thereby preventing excessive internal temperatures and/or component damage.

The “hiccup” system differs from older latching short circuit systems because you do not have to power down the converter to make it restart. The system will automatically restore operation as soon as the short circuit condition is removed.

**Output Capacitive Load**

These converters do not require external capacitance added to achieve rated specifications. Users should only consider adding capacitance to reduce switching noise and/or to handle spike current load steps. Install only enough capacitance to achieve noise objectives. Excess external capacitance may cause degraded transient response and possible oscillation or instability.

NOTICE—Please use only this customer data sheet as product documentation when laying out your printed circuit boards and applying this product into your application. Do NOT use other materials as official documentation such as advertisements, product announcements, or website graphics.

We strive to have all technical data in this customer data sheet highly accurate and complete. This customer data sheet is revision-controlled and dated. The latest customer data sheet revision is normally on our website (www.murata-ps.com) for products which are fully released to Manufacturing. Please be especially careful using any data sheets labeled “Preliminary” since data may change without notice.

**Emissions Performance, Model DRQ-11.4/88-L48NB-C**

Murata Power Solutions measures its products for radio frequency emissions against the EN 55022 and CISPR 22 standards. Passive resistance loads are employed and the output is set to the maximum voltage. If you set up your own emissions testing, make sure the output load is rated at continuous power while doing the tests.

The recommended external input and output capacitors (if required) are included. Please refer to the fundamental switching frequency. All of this information is listed in the Product Specifications. An external discrete filter is installed and the circuit diagram is shown below.

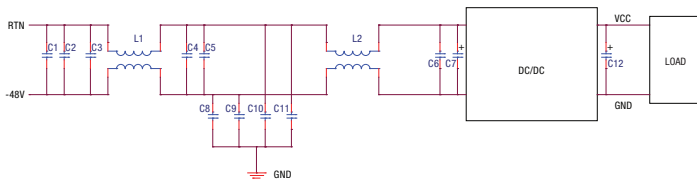


Figure 7. Conducted Emissions Test Circuit

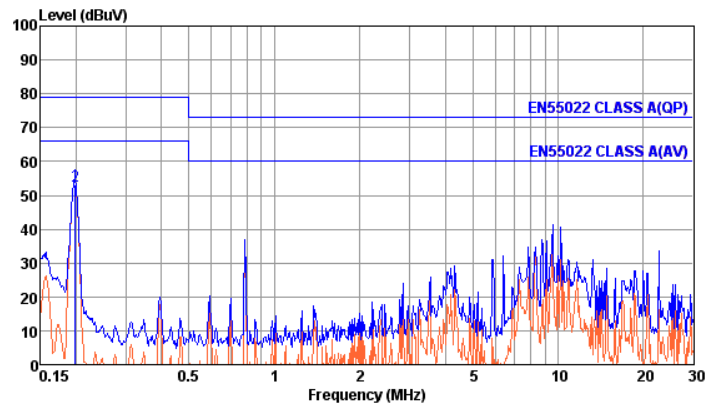
**[1] Conducted Emissions Parts List**

Reference	Part Number	Description	Vendor
C1, C2, C3, C4, C5	GRM32ER72A105KA01L	SMD CERAMIC-100V-1000nF-X7R-1210	Murata
C6	GRM319R72A104KA01D	SMD CERAMIC100V-100nF-±10%-X7R-1206	Murata
L1, L2	7448263505	COMMON MODE-500uH-±30%-35A	Würth
C8, C9, C10, C11	GRM55DR72J224KW01L	SMD CERAMIC630V-0.22uF-±10%-X7R-2220	Murata
C7	UHE2A221MHD	Aluminum100V-220uF-±10%-long lead	Nichicon
C12	NA		

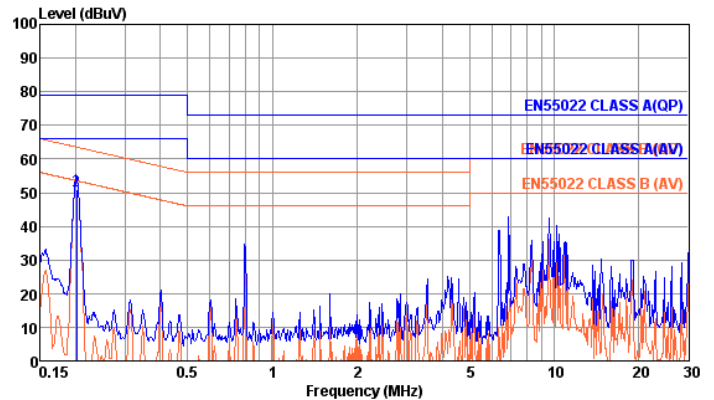
**[2] Conducted Emissions Test Equipment Used**

- Hewlett Packard HP8594L Spectrum Analyzer – S/N 3827A00153
- 2Line V-networks LS1-15V 50Ω/50uH Line Impedance Stabilization Network

**[3] Conducted Emissions Test Results**



Graph 1. Conducted emissions performance, Positive Line, CISPR 22, Class B, full load

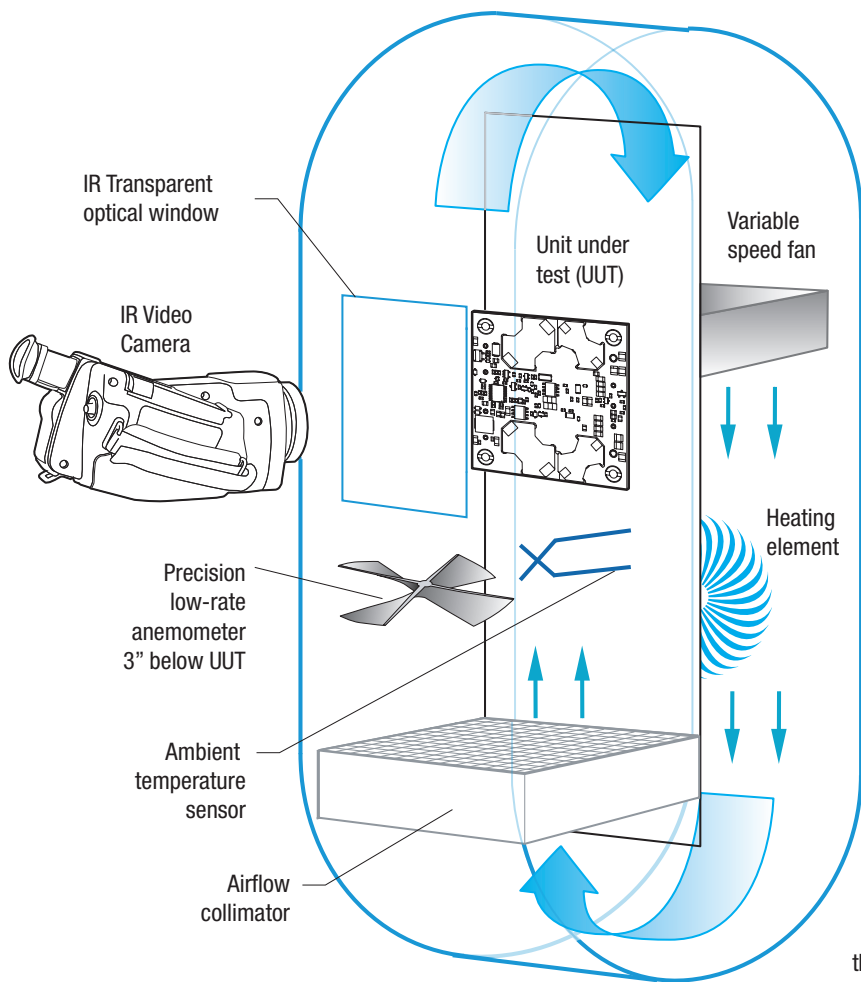


Graph 2. Conducted emissions performance, Negative Line, CISPR 22, Class B, full load

**[4] Layout Recommendations**

Most applications can use the filtering which is already installed inside the converter or with the addition of the recommended external capacitors. For greater emissions suppression, consider additional filter components and/or shielding. Emissions performance will depend on the user’s PC board layout, the chassis shielding environment and choice of external components. Please refer to Application Note GEAN-02 for further discussion.

Since many factors affect both the amplitude and spectra of emissions, we recommend using an engineer who is experienced at emissions suppression.



**Figure 8. Vertical Wind Tunnel**

**Vertical Wind Tunnel**

Murata Power Solutions employs a computer controlled custom-designed closed loop vertical wind tunnel, infrared video camera system, and test instrumentation for accurate airflow and heat dissipation analysis of power products. The system includes a precision low flow-rate anemometer, variable speed fan, power supply input and load controls, temperature gauges, and adjustable heating element.

The IR camera monitors the thermal performance of the Unit Under Test (UUT) under static steady-state conditions. A special optical port is used which is transparent to infrared wavelengths.

Both through-hole and surface mount converters are soldered down to a 10" x 10" host carrier board for realistic heat absorption and spreading. Both longitudinal and transverse airflow studies are possible by rotation of this carrier board since there are often significant differences in the heat dissipation in the two airflow directions. The combination of adjustable airflow, adjustable ambient heat, and adjustable Input/Output currents and voltages mean that a very wide range of measurement conditions can be studied.

The collimator reduces the amount of turbulence adjacent to the UUT by minimizing airflow turbulence. Such turbulence influences the effective heat transfer characteristics and gives false readings. Excess turbulence removes more heat from some surfaces and less heat from others, possibly causing uneven overheating.

Both sides of the UUT are studied since there are different thermal gradients on each side. The adjustable heating element and fan, built-in temperature gauges, and no-contact IR camera mean that power supplies are tested in real-world conditions.

**Soldering Guidelines**

Murata Power Solutions recommends the specifications below when installing these converters. These specifications vary depending on the solder type. Exceeding these specifications may cause damage to the product. Your production environment may differ; therefore please thoroughly review these guidelines with your process engineers.

Wave Solder Operations for through-hole mounted products (THMT)			
For Sn/Ag/Cu based solders:		For Sn/Pb based solders:	
Maximum Preheat Temperature	115° C.	Maximum Preheat Temperature	105° C.
Maximum Pot Temperature	270° C.	Maximum Pot Temperature	250° C.
Maximum Solder Dwell Time	7 seconds	Maximum Solder Dwell Time	6 seconds

Murata Power Solutions, Inc.  
129 Flanders Rd, Westborough, MA 01581 USA  
ISO 9001 and 14001 REGISTERED



**This product is subject to the following operating requirements and the Life and Safety Critical Application Sales Policy:  
Refer to: <http://www.murata-ps.com/requirements/>**

Murata Power Solutions, Inc. makes no representation that the use of its products in the circuits described herein, or the use of other technical information contained herein, will not infringe upon existing or future patent rights. The descriptions contained herein do not imply the granting of licenses to make, use, or sell equipment constructed in accordance therewith. Specifications are subject to change without notice. © 2018 Murata Power Solutions, Inc.

Компания «Океан Электроники» предлагает заключение долгосрочных отношений при поставках импортных электронных компонентов на взаимовыгодных условиях!

Наши преимущества:

- Поставка оригинальных импортных электронных компонентов напрямую с производств Америки, Европы и Азии, а так же с крупнейших складов мира;
- Широкая линейка поставок активных и пассивных импортных электронных компонентов (более 30 млн. наименований);
- Поставка сложных, дефицитных, либо снятых с производства позиций;
- Оперативные сроки поставки под заказ (от 5 рабочих дней);
- Экспресс доставка в любую точку России;
- Помощь Конструкторского Отдела и консультации квалифицированных инженеров;
- Техническая поддержка проекта, помощь в подборе аналогов, поставка прототипов;
- Поставка электронных компонентов под контролем ВП;
- Система менеджмента качества сертифицирована по Международному стандарту ISO 9001;
- При необходимости вся продукция военного и аэрокосмического назначения проходит испытания и сертификацию в лаборатории (по согласованию с заказчиком);
- Поставка специализированных компонентов военного и аэрокосмического уровня качества (Xilinx, Altera, Analog Devices, Intersil, Interpoint, Microsemi, Actel, Aeroflex, Peregrine, VPT, Syfer, Eurofarad, Texas Instruments, MS Kennedy, Miteq, Cobham, E2V, MA-COM, Hittite, Mini-Circuits, General Dynamics и др.);

Компания «Океан Электроники» является официальным дистрибьютором и эксклюзивным представителем в России одного из крупнейших производителей разъемов военного и аэрокосмического назначения «JONHON», а так же официальным дистрибьютором и эксклюзивным представителем в России производителя высокотехнологичных и надежных решений для передачи СВЧ сигналов «FORSTAR».



## JONHON

«JONHON» (основан в 1970 г.)

Разъемы специального, военного и аэрокосмического назначения:

(Применяются в военной, авиационной, аэрокосмической, морской, железнодорожной, горно- и нефтедобывающей отраслях промышленности)

«FORSTAR» (основан в 1998 г.)

ВЧ соединители, коаксиальные кабели, кабельные сборки и микроволновые компоненты:

(Применяются в телекоммуникациях гражданского и специального назначения, в средствах связи, РЛС, а так же военной, авиационной и аэрокосмической отраслях промышленности).



Телефон: 8 (812) 309-75-97 (многоканальный)

Факс: 8 (812) 320-03-32

Электронная почта: [ocean@oceanchips.ru](mailto:ocean@oceanchips.ru)

Web: <http://oceanchips.ru/>

Адрес: 198099, г. Санкт-Петербург, ул. Калинина, д. 2, корп. 4, лит. А