



A New Direction in Mixed-Signal

1.5A 18V 1.4MHz Non Synchronous Step-Down Regulator

August 2012

Rev. 1.2.0

GENERAL DESCRIPTION

The XRP7659 is a current-mode PWM step-down (buck) voltage regulator capable of delivering an output current up to 1.5Amps. A wide 4.5V to 18V input voltage range allows for single supply operation from industry standard 5V, 9.6V and 12V power rails.

With a 1.4MHz constant operating frequency, integrated high-side MOSFET and loop compensation, the XRP7659 reduces the overall component count and solution footprint. Current-mode control provides fast transient response and cycle-by-cycle current limit. An integrated soft-start prevents inrush current at turn-on, and in shutdown mode the supply current drops to 0.1µA.

Built-in output over voltage (open load), over temperature, cycle-by-cycle over-current and under voltage lockout (UVLO) protection insure safe operation under abnormal operating conditions.

The XRP7659 is a pin and function compatible ($V_{IN}<18V$) device to Monolithic Power Systems MP2359.

The XRP7659 is offered in a RoHS compliant, "green"/halogen free 6-pin SOT-23 package.

APPLICATIONS

- Distributed Power Architectures
- Point of Load Converters
- Audio-Video Equipment
- Medical & Industrial Equipment

FEATURES

- **1.5A Continuous Output Current**
 - **4.5V to 18V Wide Input Voltage**
 - **PWM Current-Mode Control**
 - 1.4MHz Constant Operation
 - Up to 92% Efficiency
 - **Adjustable Output Voltage**
 - 0.81V to 15V Range
 - ±3% Accuracy
 - **Enable Function and Soft Start**
 - **Built-in Thermal, Over-Current, UVLO and Output Over-Voltage Protection**
 - **Pin/Function Compatible to MP2359**
- RoHS Compliant, "Green"/Halogen Free 6-Pin SOT-23 Package**

TYPICAL APPLICATION DIAGRAM

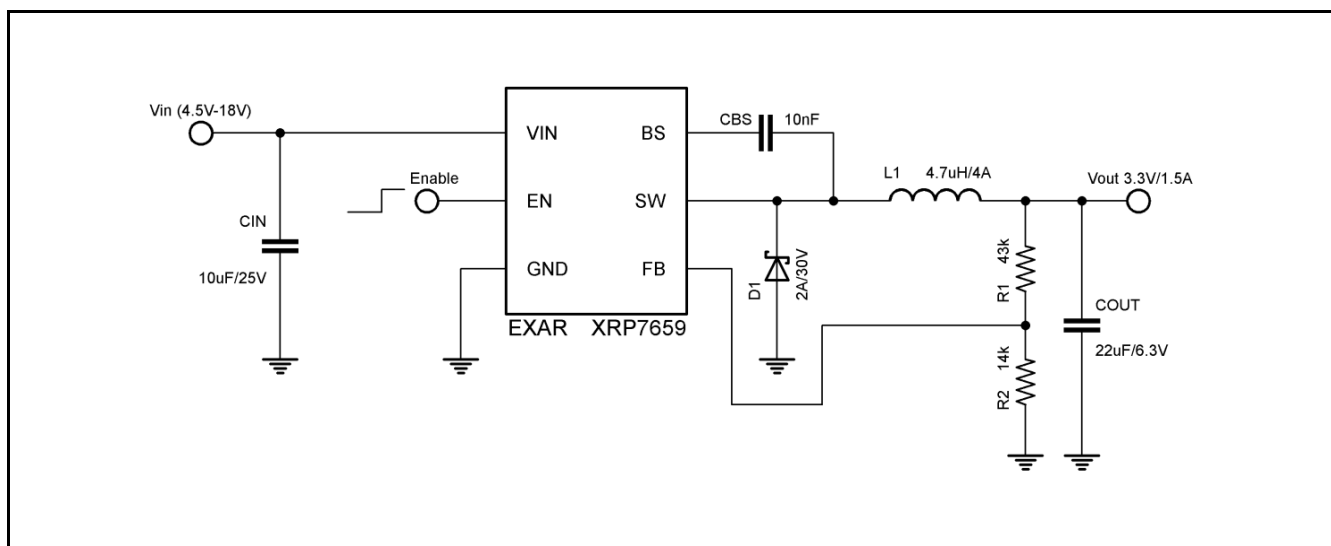


Fig. 1: XRP7659 Application Diagram

1.5A 18V 1.4MHz Non Synchronous Step-Down Regulator

ABSOLUTE MAXIMUM RATINGS

These are stress ratings only and functional operation of the device at these ratings or any other above those indicated in the operation sections of the specifications below is not implied. Exposure to absolute maximum rating conditions for extended periods of time may affect reliability.

- V_{IN}..... -0.3V to 20V
- V_{EN} -0.3V to V_{IN}+0.3V
- V_{SW} 21V
- V_{BS}.....-0.3V to V_{SW}+6V
- V_{FB}..... -0.3V to 6V
- Operating Junction Temperature..... 150°C
- Storage Temperature -65°C to 150°C
- Lead Temperature (Soldering, 10 sec)..... 260°C
- Power Dissipation Internally Limited
- ESD Rating (HBM - Human Body Model) 2kV
- ESD Rating (MM - Machine Model)500V

OPERATING RATINGS

- Input Voltage Range V_{IN}.....4.5V to 18V
- Maximum Output Current I_{OUT} (Min) 1.5A
- Ambient Temperature Range -40°C to +85°C
- Thermal Resistance θ_{JA}220°C/W

ELECTRICAL SPECIFICATIONS

Specifications are for an Operating Junction Temperature of T_J = 25°C only; limits applying over the full Operating Junction Temperature range are denoted by a “•”. Minimum and Maximum limits are guaranteed through test, design, or statistical correlation. Typical values represent the most likely parametric norm at T_J = 25°C, and are provided for reference purposes only. Unless otherwise indicated, V_{IN} = V_{EN} = 12V, V_{OUT} = 3.3V.

Parameter	Min.	Typ.	Max.	Units	Conditions
V _{IN} , Input Voltage	4.5		18	V	•
I _Q , Quiescent Current		0.8	1.1	mA	V _{FB} =0.9V
I _{SHDN} , Shutdown Supply Current		0.1	1.0	µA	V _{EN} =0V
V _{FB} , Feedback Voltage	0.785	0.810	0.835	V	
V _{FBOV} , Feedback Overvoltage Threshold		0.972		V	
I _{FB} , Feedback Bias Current	-0.1		+0.1	µA	V _{FB} =0.85V
R _{DSON} , Switch On-resistance ⁽¹⁾		0.35		Ω	I _{SW} =1A
I _{LEAK} , Switch Leakage Current		0.1	10	µA	V _{IN} =18V, V _{EN} =0V
I _{LIM} , Switch Current Limit	1.8	2.4		A	
V _{ENH} , EN Pin Threshold	1.5			V	
V _{ENL} , EN Pin Threshold			0.4	V	
V _{UVLO} , Input UVLO Threshold	3.3	3.8	4.3	V	V _{IN} Rising
V _{HYS} , Input UVLO Hysteresis		0.2		V	
f _{OSCL} , Oscillator frequency	1.1	1.4	1.7	MHz	
f _{OSC2} , Oscillator frequency		460		kHz	Short Circuit
D _{MAX} , Maximum Duty Cycle		90		%	V _{FB} =0.6V
D _{MIN} , Minimum Duty Cycle			0	%	V _{FB} =0.9V
t _{ON} , Minimum On Time ⁽¹⁾		100		ns	
T _{OTSD} , Thermal Shutdown ⁽¹⁾		160		°C	
T _{HYS} , Thermal Shutdown Hysteresis ⁽¹⁾		20		°C	
t _{SS} , Soft-start time ⁽¹⁾		200		µs	

Note 1: R_{DSON}, t_{ON}, T_{OTSD}, T_{HYS} and t_{SS} are guaranteed by design.

BLOCK DIAGRAM

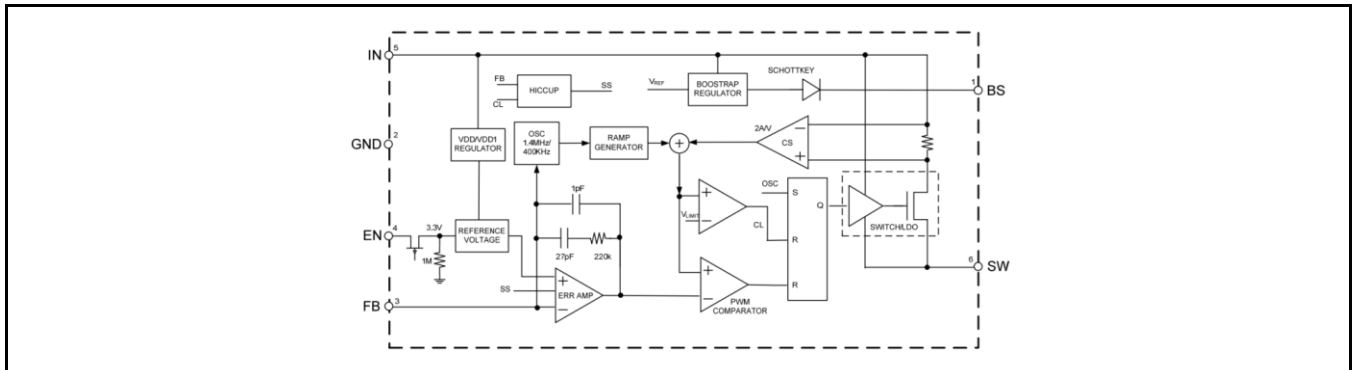


Fig. 2: XRP7659 Block Diagram

PIN ASSIGNMENT

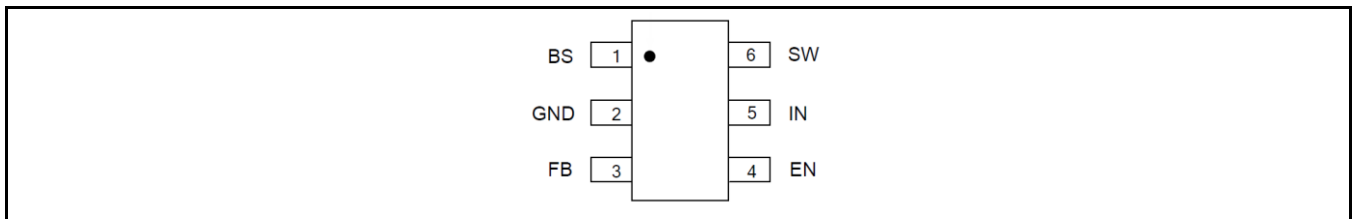


Fig. 3: XRP7659 Pin Assignment

PIN DESCRIPTION

Name	Pin Number	Description
BS	1	Bootstrap pin. Connect a 10nF bootstrap capacitor between BS and SW pins. The voltage across the bootstrap capacitor drives the internal high-side MOSFET.
GND	2	Ground pin.
FB	3	Feedback pin. Connect to a resistor divider to program the output voltage. If V_{FB} exceeds 0.972V the OVP is triggered. If V_{FB} drops below 0.25V the short circuit protection is activated.
EN	4	Enable Input Pin. Forcing this pin above 1.5V enables the IC. Forcing the pin below 0.4V shuts down the IC. For automatic enable connect a 100kΩ resistor between EN and IN.
IN	5	Power Input Pin. Must be closely decoupled to GND pin with a 10μF/25V or greater ceramic capacitor.
SW	6	Power switch output pin. Connect to inductor and bootstrap capacitor.

ORDERING INFORMATION

Part Number	Temperature Range	Marking	Package	Packing Quantity	Note 1	Note 2
XRP7659ISTR-F	-40°C ≤ T _A ≤ +85°C	LCWW X	SOT23-6	3K/Tape & Reel	Halogen Free	
XRP7659EVB	XRP7659 Evaluation Board					

“YY” = Year – “WW” = Work Week – “X” = Lot Number; when applicable.

1.5A 18V 1.4MHz Non Synchronous Step-Down Regulator

TYPICAL PERFORMANCE CHARACTERISTICS

All data taken at $V_{IN} = 12V$, $V_{EN}=5V$, $V_{OUT}=3.3V$, $T_J = T_A = 25^\circ C$, unless otherwise specified - Schematic and BOM from Application Information section of this datasheet.

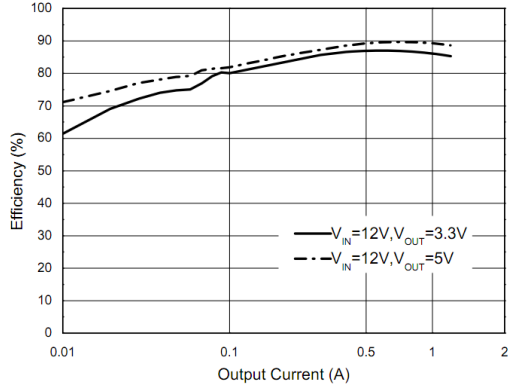


Fig. 4: Efficiency versus Output Current, $V_{IN}=12V$

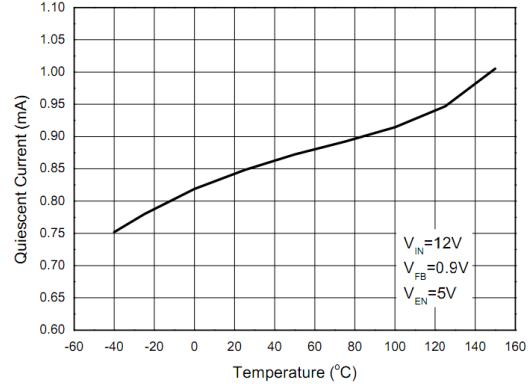


Fig. 5: Quiescent Current versus Temperature

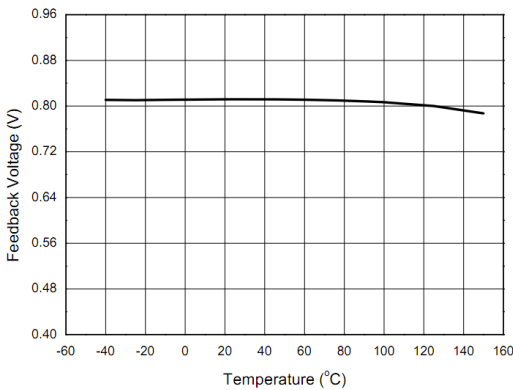


Fig. 6: Feedback Voltage versus Temperature

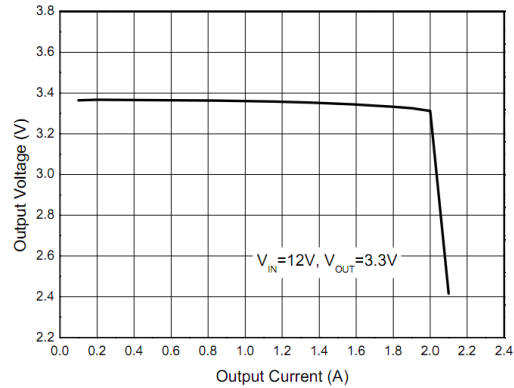


Fig. 7: Output Voltage versus Output Current

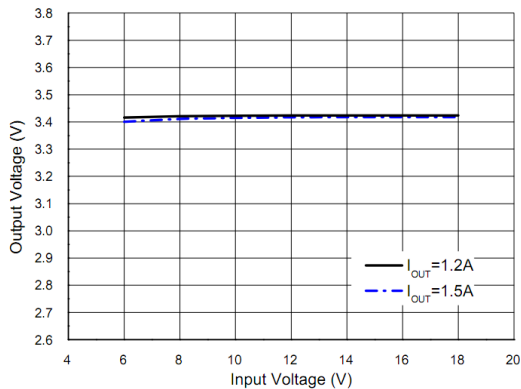


Fig. 8: Output Voltage versus Input Voltage

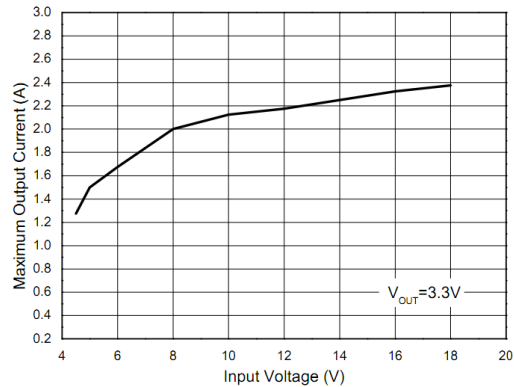


Fig. 9: Maximum Output Current versus Input Voltage

1.5A 18V 1.4MHz Non Synchronous Step-Down Regulator

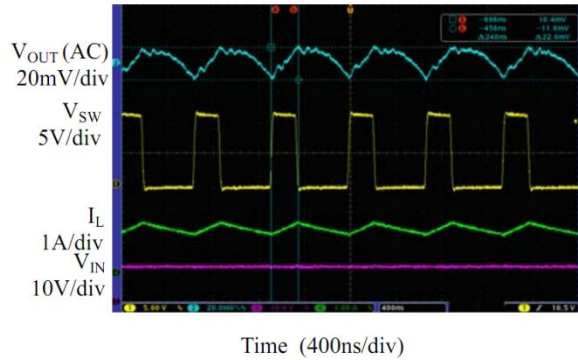


Fig. 10: Output Ripple at $I_{OUT}=1.5A$

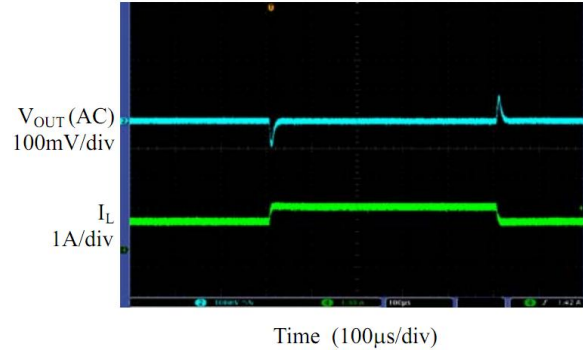


Fig. 11: Load Step Transient, $I_{OUT}=1A$ to $1.5A$

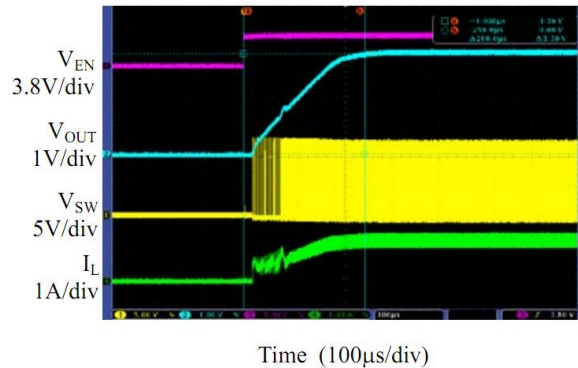


Fig. 12: Enable Turn-on Characteristic
 2.6Ω resistive Load

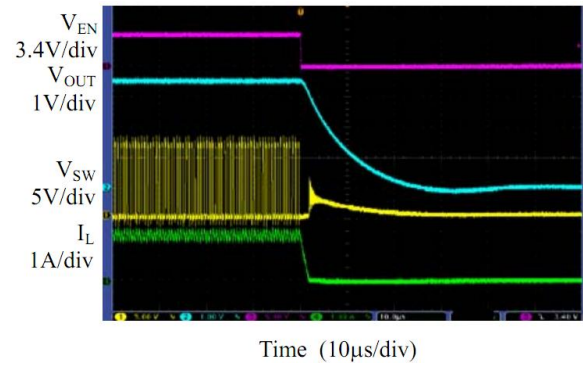


Fig. 13: Enable Turn-off Characteristic
 2.6Ω resistive Load

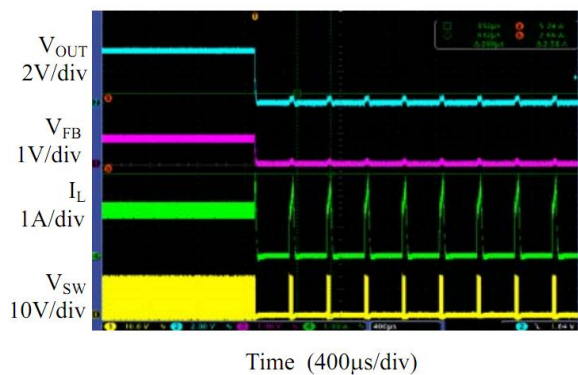


Fig. 14: Onset of Short-circuit Protection
 $I_{OUT}=1.5A$

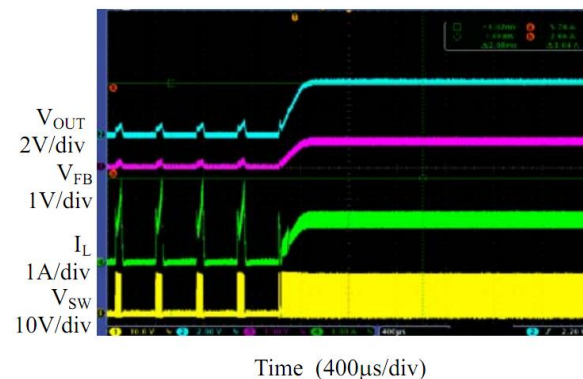


Fig. 15: Short-circuit recovery
 $R_{LOAD}=2.6\Omega$

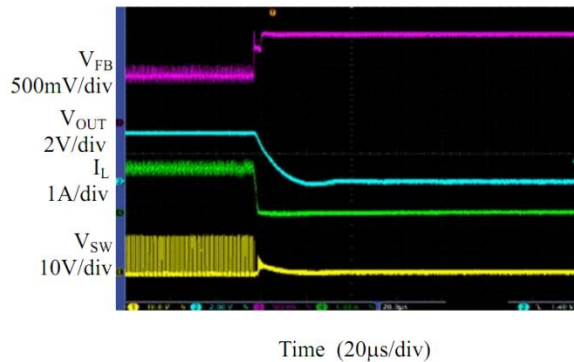


Fig. 16: Onset of Over-voltage Protection, $I_{OUT}=1.5A$

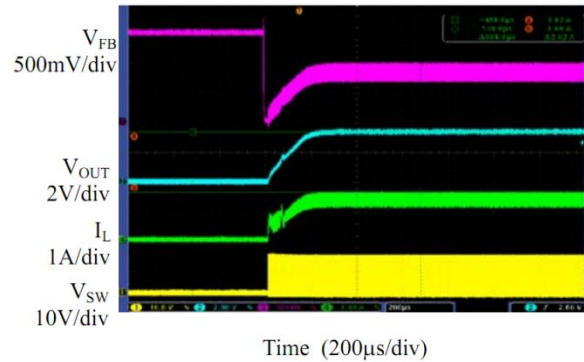


Fig. 17: Over-voltage Recovery, $I_{OUT}=1.5A$

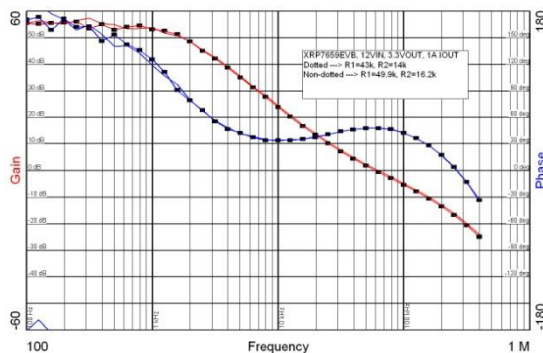


Fig. 18: Gain and Phase Margin Plots of XRP7659EVB
~60kHz Crossover frequency; ~50° Phase Margin

APPLICATION INFORMATION

The XRP7659 is a non-synchronous current-mode step-down DC-DC converter capable of driving a 1.5A load. The integrated high-side MOSFET has been optimized to provide high efficiency within XRP7659 operating ratings. The high switching frequency of 1.4MHz allows the use of a small inductor and a correspondingly small output capacitor that reduce the solution size and cost. The high switching frequency also provides a very fast transient response as shown in figure 11. The built in loop compensation, bootstrap diode and soft-start further reduce component cost. A host of protection features including UVLO, OCP, OTP, OVP and short-circuit help insure

safe operation under abnormal operating conditions.

PROGRAMMING THE OUTPUT VOLTAGE

To program V_{OUT} use a resistor divider $R1/R2$ as shown in figure 1. $R1$ in conjunction with the internal compensation comprises the loop compensation. Calculate $R2$ from:

$$R2 = \frac{R1}{\frac{V_{OUT}}{0.81V} - 1}$$

A resistor selection guide for common values of V_{OUT} is shown in table 1.

1.5A 18V 1.4MHz Non Synchronous Step-Down Regulator

VOUT	R1(kΩ)	R2(kΩ)
1.8V	100	82
2.5V	39	18.7
3.3V	43	14
5.0V	47	9.09

Table 1: Resistor Selection

SELECTING THE INDUCTOR

Select the inductor for inductance L , saturation current I_{sat} and DC current I_{DC} . I_{sat} and I_{DC} should be larger than 2.4A and 2.2A respectively. This will allow the inductor to withstand an accidental overload until the IC's OCP get activated. Calculate the inductance from:

$$L = \frac{V_{OUT} \times (V_{IN} - V_{OUT})}{V_{IN} \times \Delta I_L \times f_s}$$

ΔI_L is inductor current ripple, nominally set at 30% of I_{OUT} .

SELECTING THE INPUT CAPACITOR

The input capacitor C_{IN} supplies the pulsating input current resulting from fast switching of the high-side MOSFET. Ceramic capacitors are recommended because they have low ESR/ESL and can therefore meet the high di/dt requirement. A 10µF capacitor is sufficient for most applications.

SELECTING THE OUTPUT CAPACITOR

The output capacitor C_{OUT} filters the inductor current ripple, providing DC to the load. C_{OUT} also limits the V_{OUT} transients arising from a sudden current load step. A 22µF ceramic capacitor is sufficient for most applications.

PCB LAYOUT GUIDELINES

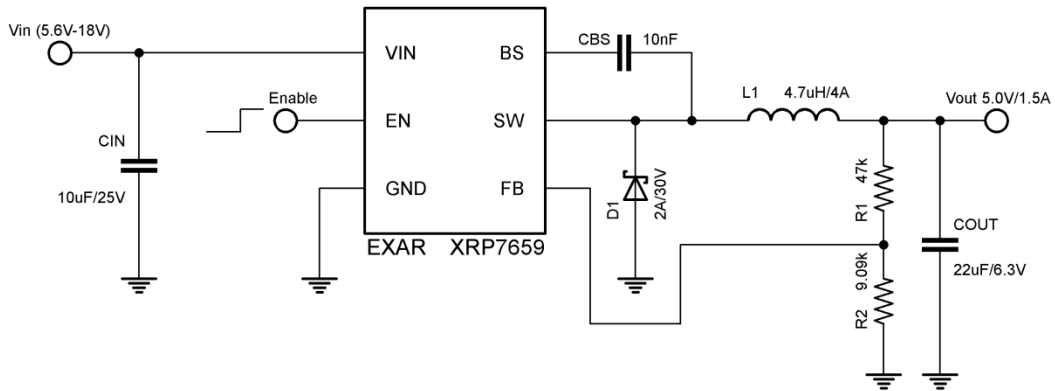
Following guidelines will help safeguard against EMI related problems.

1. Minimize the loop area among C_{IN} , high-side MOSFET and D1. To achieve this, C_{IN} and D1 have to be placed as closed to IC pins IN and SW as possible. Also the ground return of C_{IN} and D1 should be close. Use short and wide traces for connecting these components.
2. Minimize the loop area among D1, L1 and C_{OUT} . Use short and wide traces for connecting these components.
3. From the above it follows that the ground returns of C_{IN} , D1 and C_{OUT} should be as close as possible.
4. Route the sensitive FB trace away from noisy SW.

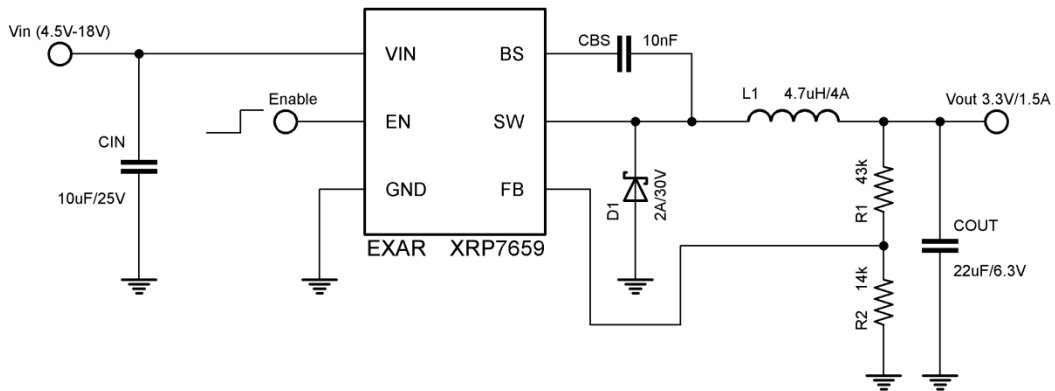
1.5A 18V 1.4MHz Non Synchronous Step-Down Regulator

TYPICAL APPLICATIONS

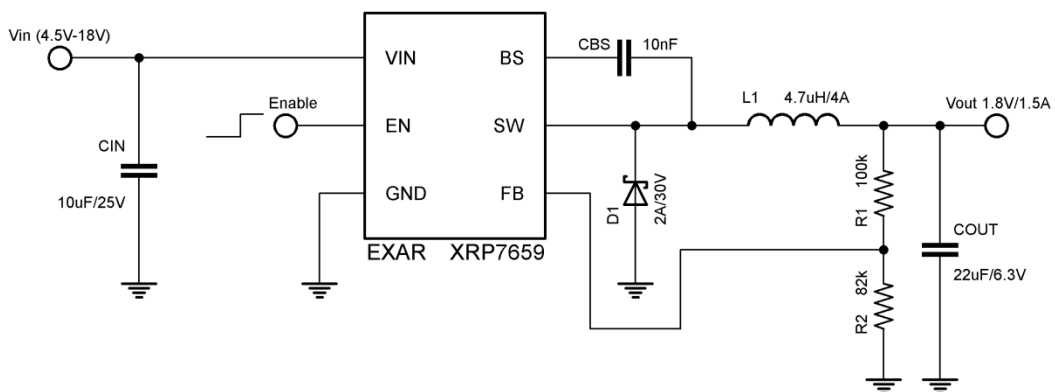
12V TO 5.0V/1.5A CONVERSION



12V TO 3.3V/1.5A CONVERSION



12V TO 1.8V/1.5A CONVERSION





A New Direction in Mixed-Signal

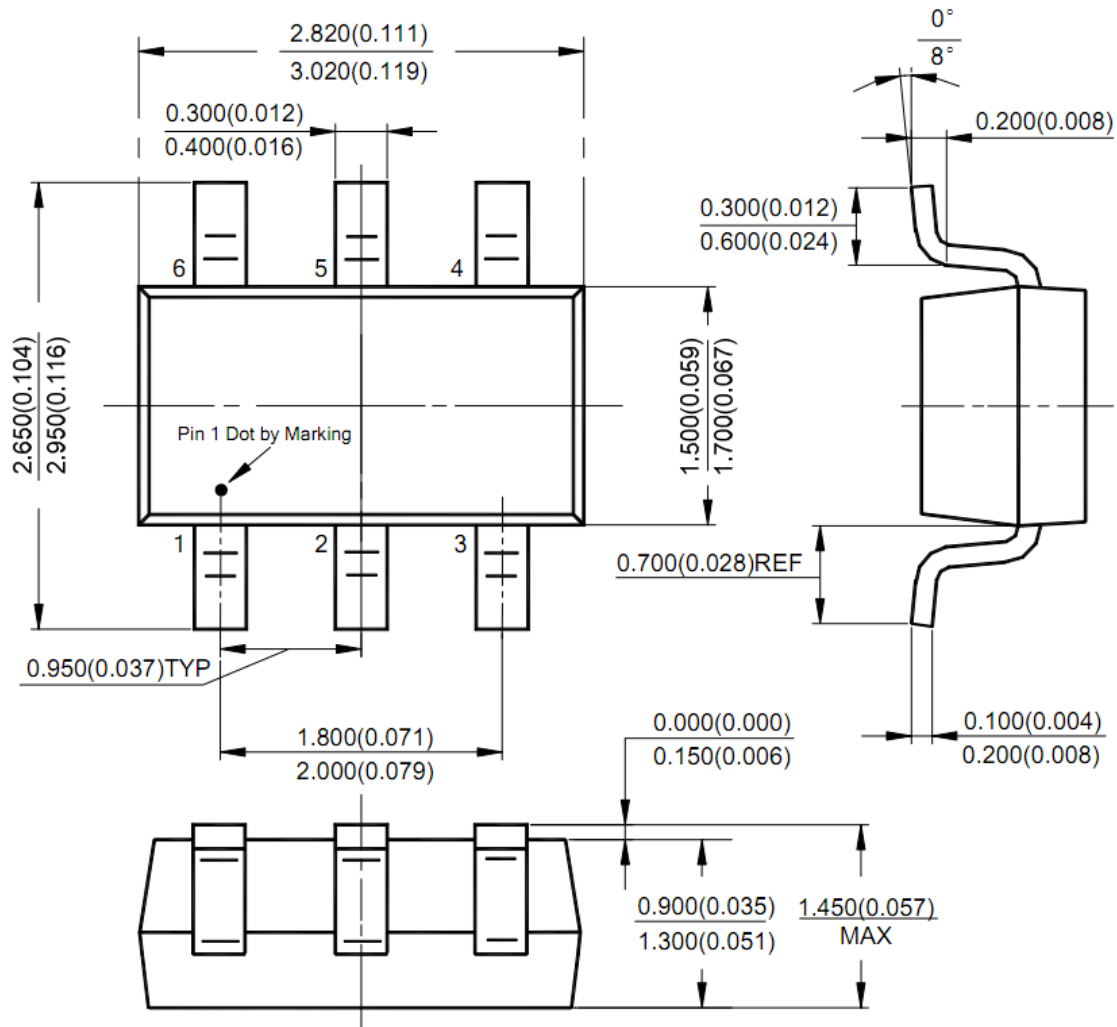
XRP7659

1.5A 18V 1.4MHz Non Synchronous Step-Down Regulator

PACKAGE SPECIFICATION

SOT23-6

Unit: mm(inch)





REVISION HISTORY

Revision	Date	Description
1.0.0	07/27/2012	Initial release of datasheet
1.1.0	08/09/2012	Corrected R1/R2 resistors values for 1.8Vout Typical Application Diagram Addition of figure 18: Gain and Phase margin plots for XRP7659EVB
1.2.0	08/15/2012	Corrected ordering quantity per reel

FOR FURTHER ASSISTANCE

Email: customersupport@exar.com
Exar Technical Documentation: <http://www.exar.com/TechDoc/default.aspx?>



EXAR CORPORATION

HEADQUARTERS AND SALES OFFICES

48720 Kato Road
Fremont, CA 94538 – USA
Tel.: +1 (510) 668-7000
Fax: +1 (510) 668-7030
www.exar.com

NOTICE

EXAR Corporation reserves the right to make changes to the products contained in this publication in order to improve design, performance or reliability. EXAR Corporation assumes no responsibility for the use of any circuits described herein, conveys no license under any patent or other right, and makes no representation that the circuits are free of patent infringement. Charts and schedules contained here in are only for illustration purposes and may vary depending upon a user’s specific application. While the information in this publication has been carefully checked; no responsibility, however, is assumed for inaccuracies.

EXAR Corporation does not recommend the use of any of its products in life support applications where the failure or malfunction of the product can reasonably be expected to cause failure of the life support system or to significantly affect its safety or effectiveness. Products are not authorized for use in such applications unless EXAR Corporation receives, in writing, assurances to its satisfaction that: (a) the risk of injury or damage has been minimized; (b) the user assumes all such risks; (c) potential liability of EXAR Corporation is adequately protected under the circumstances.

Reproduction, in part or whole, without the prior written consent of EXAR Corporation is prohibited.

Компания «Океан Электроники» предлагает заключение долгосрочных отношений при поставках импортных электронных компонентов на взаимовыгодных условиях!

Наши преимущества:

- Поставка оригинальных импортных электронных компонентов напрямую с производств Америки, Европы и Азии, а так же с крупнейших складов мира;
- Широкая линейка поставок активных и пассивных импортных электронных компонентов (более 30 млн. наименований);
- Поставка сложных, дефицитных, либо снятых с производства позиций;
- Оперативные сроки поставки под заказ (от 5 рабочих дней);
- Экспресс доставка в любую точку России;
- Помощь Конструкторского Отдела и консультации квалифицированных инженеров;
- Техническая поддержка проекта, помощь в подборе аналогов, поставка прототипов;
- Поставка электронных компонентов под контролем ВП;
- Система менеджмента качества сертифицирована по Международному стандарту ISO 9001;
- При необходимости вся продукция военного и аэрокосмического назначения проходит испытания и сертификацию в лаборатории (по согласованию с заказчиком);
- Поставка специализированных компонентов военного и аэрокосмического уровня качества (Xilinx, Altera, Analog Devices, Intersil, Interpoint, Microsemi, Actel, Aeroflex, Peregrine, VPT, Syfer, Eurofarad, Texas Instruments, MS Kennedy, Miteq, Cobham, E2V, MA-COM, Hittite, Mini-Circuits, General Dynamics и др.);

Компания «Океан Электроники» является официальным дистрибьютором и эксклюзивным представителем в России одного из крупнейших производителей разъемов военного и аэрокосмического назначения «JONHON», а так же официальным дистрибьютором и эксклюзивным представителем в России производителя высокотехнологичных и надежных решений для передачи СВЧ сигналов «FORSTAR».



JONHON

«JONHON» (основан в 1970 г.)

Разъемы специального, военного и аэрокосмического назначения:

(Применяются в военной, авиационной, аэрокосмической, морской, железнодорожной, горно- и нефтедобывающей отраслях промышленности)

«FORSTAR» (основан в 1998 г.)

ВЧ соединители, коаксиальные кабели, кабельные сборки и микроволновые компоненты:

(Применяются в телекоммуникациях гражданского и специального назначения, в средствах связи, РЛС, а так же военной, авиационной и аэрокосмической отраслях промышленности).



Телефон: 8 (812) 309-75-97 (многоканальный)

Факс: 8 (812) 320-03-32

Электронная почта: ocean@oceanchips.ru

Web: <http://oceanchips.ru/>

Адрес: 198099, г. Санкт-Петербург, ул. Калинина, д. 2, корп. 4, лит. А