

Fixed Wirewound High Power Vitreous Resistors with Terminal Collars or Bands



FEATURES

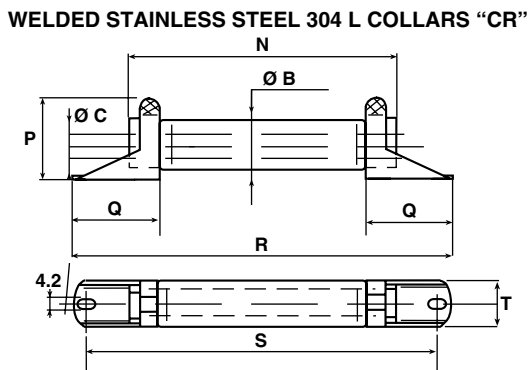
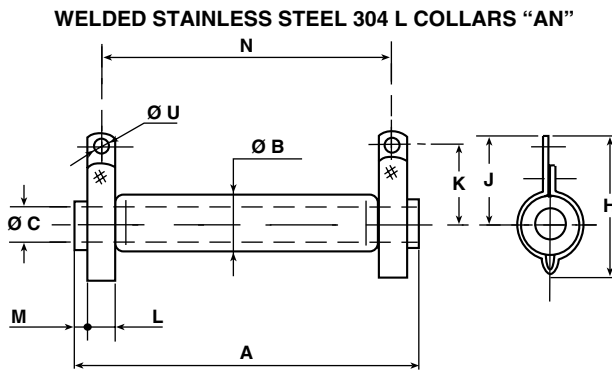
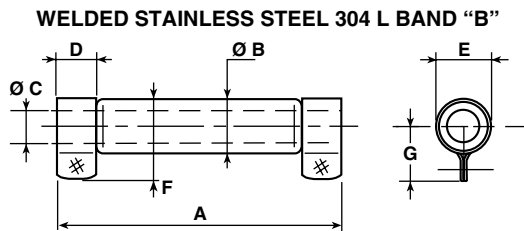
- 10 W to 80 W at 25 °C
- NF C 93-214
- RB 13 x 70 RB 20 x 117
- High power up to 80 W at 25 °C
- High long term stability drift < 2.5 % after 5000 h
- Great mechanical strength
- Fire proof
- Environmental performance
- Thermal shock strength 0.5 % (100 % h at - 25 °C)
- Compliant to RoHS directive 2002/95/EC



The RW wirewound power resistors are extremely well suited to professional applications, where high power and excellent endurance are required. They meet all requirements of NF C 93-214 specifications and five sizes cover the power range from 10 W to 80 W. Non inductive types are available, by using the special RWNI winding. For higher power or extremely severe conditions of use, see the RWST series.

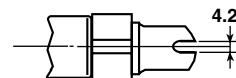
NF F 16101, 10/1988 and 16102, 04/1992: Not applicable (our parts are made of metallic and refractory materials).
NF C 93-214. Performances according to NF C 93-214.

DIMENSIONS in millimeters



| RW STYLE | | 8 x 34 | 10 x 50 | 13 x 70 | 16 x 94 | 20 x 117 |
|--------------|--------|------------|----------|----------|------------|----------|
| CONNECTIONS | Collar | AN | AN | AN | AN | AN |
| | Collar | - | CR | CR | - | - |
| | Collar | - | - | CS | - | - |
| | Band | - | B | B | B | B |
| A ±2 | | 34 | 50 | 70 | 94 | 117 |
| Ø B max. | | 11.5 | 13 | 16 | 19.5 | 23 |
| Ø C min. | | 4.1 | 5 | 5 | 9 | 9 |
| D +0.5 +0 | | - | 8 | 10.5 | 12 | 14 |
| E | | - | 11 ± 0.5 | 14 ± 0.5 | 17.5 ± 0.5 | 21 ± 0.7 |
| F max. | | - | 21 | 24.5 | 28 | 33 |
| G | | - | 14 ± 0.5 | 16 ± 0.5 | 18 ± 0.5 | 21 ± 0.7 |
| H | | 28 ± 1.0 | 31 ± 1.0 | 34 ± 1.0 | 38 ± 1.0 | 42 ± 1.5 |
| J | | 19.5 ± 0.5 | 22 ± 0.5 | 24 ± 0.5 | 25 ± 0.5 | 28 ± 0.7 |
| K | | 16 ± 0.5 | 18 ± 0.5 | 20 ± 0.5 | 21 ± 0.5 | 24 ± 0.7 |
| L +0.5 +0 | | 5 | 6.35 | 0.6 | 0.6 | 0.8 |
| M ± 1.5 | | 1 | 1.5 | 3.5 | 4 | 6 |
| N ± 2 | | 27 | 40 | 56 | 78 | 98 |
| P ± 1 | | - | 19.5 | 22.5 | - | - |
| Q ± 0.5 | | - | 19.5 | 20.5 | - | - |
| R ± 2 | | - | 72 | 91 | - | - |
| S ± 2 | | - | 62 | 81 | - | - |
| T | | - | 12 | 15 | - | - |
| Ø U | | 3.2 | 4.2 | 4.2 | 4.2 | 4.2 |

WELDED STAINLESS STEEL 304L COLLARS "CS"





**Fixed Wirewound High Power Vitreous Resistors
with Terminal Collars or Bands**

Vishay Sfernice

MECHANICAL SPECIFICATIONS

| | |
|------------------------------|----------------------|
| Mechanical Protection | Enamel |
| Resistive Element | Ni-Cr wire |
| Connections | B band |
| | AN - CR - CS collars |
| Average Unit Weight | 10 g to 100 g |

ENVIRONMENTAL SPECIFICATIONS

| | |
|---------------------------|--------------------------|
| Temperature Limits | - 55 °C + 450 °C |
| Climatic Category | - 55 °C/+ 200 °C/56 days |

ELECTRICAL SPECIFICATIONS

| | |
|--|--|
| Resistance Range | 1 Ω to 68 kΩ (E12 preferred series value) |
| Resistance Tolerances Standard | ± 5 % |
| Power Rating | 10 W to 80 W at 25 °C |
| Temperature Coefficient | 75 ppm/°C (typical) |
| Dielectric Strength | 1000 V _{RMS} (AN collars) |
| Insulation Resistance | 100 MΩ (500 V _{DC}) AN collars |
| Shelf Life | 0.1 % year (typical) |

PERFORMANCE

| TESTS | CONDITIONS | REQUIREMENTS | TYPICAL VALUES AND DRIFTS |
|--------------------------------|---|---|---------------------------|
| Short Time Overload | 10 Pr during 5 s Voltage limited at < 5000 V current limited at 5 A | 2 % or 0.05 Ω | 0.5 % |
| Climatic Sequence | - 55 °C + 200 °C 5 cycles | 3 % or 0.05 Ω Insulation resistance > 100 MΩ | 0.5 % |
| Humidity (Steady State) | 56 days 95 % relative humidity | 2 % or 0.05 Ω Insulation resistance > 100 MΩ | 0.5 % |
| Thermal Shock | Load at 100 % Pr followed by cold temp. exposure at - 55 °C | 2 % or 0.05 Ω | 0.5 % |
| Shock | Severity 50 9 shocks/each side | 1 % or 0.05 Ω | 0.25 % |
| Vibration | Severity 55B | 1 % or 0.05 Ω | 0.25 % |
| Terminal Strength | Collar AN Traction 40 N Band B Torque 60 Ncm | 1 % or 0.05 Ω | 0.5 % |
| Load Life | 90'/30' cycle 1000 h at Pr 25 °C | 5 % | 1000 h 1.5 % |
| | | | 5000 h 2.5 % |

SPECIAL FEATURES

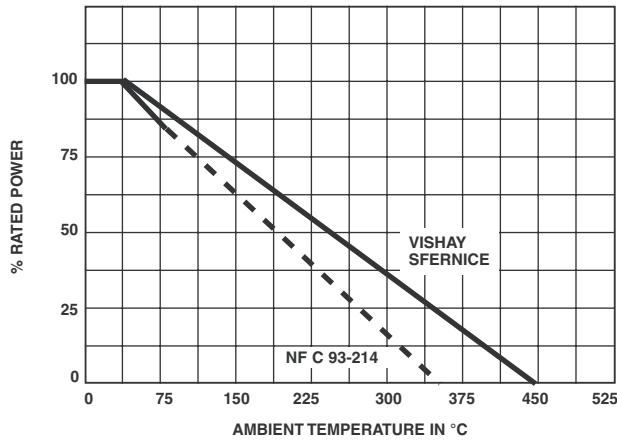
| RW STYLE | 8 x 34 | 10 x 50 | 13 x 70 | 16 x 94 | 20 x 117 |
|--------------------------------------|-----------|-----------|-------------|-------------|-------------|
| Designation NF C 93-214 | - | - | RB 13 x 70 | - | RB 20 x 117 |
| Power Rating at 25 °C | 10 W | 17 W | 28 W | 44 W | 72 W |
| Maximum Power Rating at 25 °C | 13 W | 20 W | 32 W | 50 W | 80 W |
| Ohmic Range (E12, E24 series) | 1 Ω 10 kΩ | 1 Ω 27 kΩ | 2.2 Ω 56 kΩ | 2.2 Ω 56 kΩ | 2.7 Ω 68 kΩ |
| Limiting Element Voltage | 300 V | 450 V | 650 V | 900 V | 1100 V |
| Critical Resistance | 6.9 kΩ | 10 kΩ | 13.2 kΩ | 16 kΩ | 15.1 kΩ |

NON INDUCTIVE WINDING

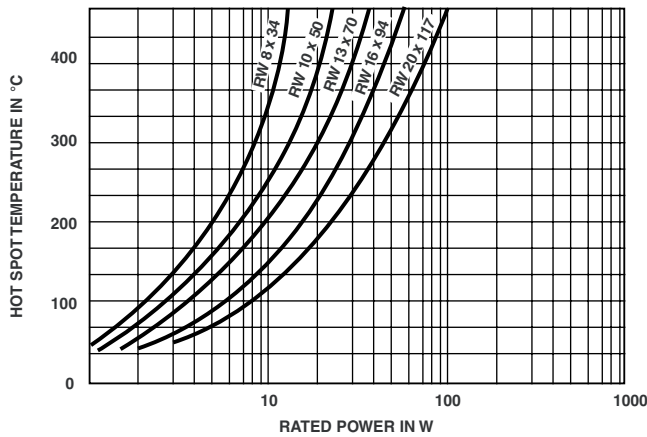
For high frequencies, low self induction resistors are available with special windings. RWNI designation.

| MODEL AND STYLE | RWNI 8 x 34 | RWNI 10 x 50 | RWNI 13 x 70 | RWNI 16 x 94 | RWNI 20 x 117 |
|-----------------|----------------|-----------------|-----------------|-----------------|------------------|
| Ohmic Range | 4.7 Ω 100 Ω | 4.7 Ω 220 Ω | 4.7 Ω 620 Ω | 10 Ω 1.2 kΩ | 10 Ω 2.2 kΩ |

POWER RATING CHART



TEMPERATURE RISE



MARKING

SFERNICE trademark, model, style, NF style (if applicable) nominal resistance (in Ω), tolerance (in %), manufacturing date.

| ORDERING INFORMATION | | | | | | | | |
|----------------------|-----------------|-----------------------|----------------|-------------|---|-----------------------------|-------------|----------------|
| RW | 20 x 117 | NI | | AN | 68 Ω | $\pm 5\%$ | B020 | e |
| MODEL | STYLE | NON-INDUCTIVE WINDING | SPECIAL DESIGN | CONNECTIONS | OHMIC VALUE | TOLERANCE | PACKAGING | LEAD (Pb)-FREE |
| | | Optional | Optional | | Custom items are subject to extra-charge and min. order. Please see price list. | | | |



| GLOBAL PART NUMBER INFORMATION | | | | | | | | | | | | | | | | | | |
|--------------------------------|--|-------------------------------------|---------------------------|---|---|---|---|-----------|--|---------------------------------------|---|---|---|---|---|--|--|--|
| R | W | 1 | 6 | X | 9 | 4 | A | | 2 | 0 | 3 | J | B | 0 | 0 | | | |
| GLOBAL MODEL | SIZE | LEADS | OPTION | OHMIC VALUE | | | | TOLERANCE | PACKAGING | SPECIAL | | | | | | | | |
| RW | 8X34 10X50 13X70 16X94 20117 | A = AN B = B C = CS D = CR | N = Non inductive winding | <p>The first two digits are significant figures and the last digit specifies the number of zeros to follow. R designates decimal point.</p> <p>203 = 20 kΩ 471 = 470 Ω 48R = 48.7 Ω R01 = 0.01 Ω</p> | | | | J = 5.0 % | <p>Box: BA25 BA25NA BO20 BO20NA BO30 BO30NA BO40 BO40NA BO50 BO50NA</p> | As applicable. Example: BC1 | | | | | | | | |



Disclaimer

All product specifications and data are subject to change without notice.

Vishay Intertechnology, Inc., its affiliates, agents, and employees, and all persons acting on its or their behalf (collectively, "Vishay"), disclaim any and all liability for any errors, inaccuracies or incompleteness contained herein or in any other disclosure relating to any product.

Vishay disclaims any and all liability arising out of the use or application of any product described herein or of any information provided herein to the maximum extent permitted by law. The product specifications do not expand or otherwise modify Vishay's terms and conditions of purchase, including but not limited to the warranty expressed therein, which apply to these products.

No license, express or implied, by estoppel or otherwise, to any intellectual property rights is granted by this document or by any conduct of Vishay.

The products shown herein are not designed for use in medical, life-saving, or life-sustaining applications unless otherwise expressly indicated. Customers using or selling Vishay products not expressly indicated for use in such applications do so entirely at their own risk and agree to fully indemnify Vishay for any damages arising or resulting from such use or sale. Please contact authorized Vishay personnel to obtain written terms and conditions regarding products designed for such applications.

Product names and markings noted herein may be trademarks of their respective owners.

Компания «Океан Электроники» предлагает заключение долгосрочных отношений при поставках импортных электронных компонентов на взаимовыгодных условиях!

Наши преимущества:

- Поставка оригинальных импортных электронных компонентов напрямую с производств Америки, Европы и Азии, а так же с крупнейших складов мира;
- Широкая линейка поставок активных и пассивных импортных электронных компонентов (более 30 млн. наименований);
- Поставка сложных, дефицитных, либо снятых с производства позиций;
- Оперативные сроки поставки под заказ (от 5 рабочих дней);
- Экспресс доставка в любую точку России;
- Помощь Конструкторского Отдела и консультации квалифицированных инженеров;
- Техническая поддержка проекта, помощь в подборе аналогов, поставка прототипов;
- Поставка электронных компонентов под контролем ВП;
- Система менеджмента качества сертифицирована по Международному стандарту ISO 9001;
- При необходимости вся продукция военного и аэрокосмического назначения проходит испытания и сертификацию в лаборатории (по согласованию с заказчиком);
- Поставка специализированных компонентов военного и аэрокосмического уровня качества (Xilinx, Altera, Analog Devices, Intersil, Interpoint, Microsemi, Actel, Aeroflex, Peregrine, VPT, Syfer, Eurofarad, Texas Instruments, MS Kennedy, Miteq, Cobham, E2V, MA-COM, Hittite, Mini-Circuits, General Dynamics и др.);

Компания «Океан Электроники» является официальным дистрибьютором и эксклюзивным представителем в России одного из крупнейших производителей разъемов военного и аэрокосмического назначения «JONHON», а так же официальным дистрибьютором и эксклюзивным представителем в России производителя высокотехнологичных и надежных решений для передачи СВЧ сигналов «FORSTAR».



JONHON

«JONHON» (основан в 1970 г.)

Разъемы специального, военного и аэрокосмического назначения:

(Применяются в военной, авиационной, аэрокосмической, морской, железнодорожной, горно- и нефтедобывающей отраслях промышленности)

«FORSTAR» (основан в 1998 г.)

ВЧ соединители, коаксиальные кабели, кабельные сборки и микроволновые компоненты:

(Применяются в телекоммуникациях гражданского и специального назначения, в средствах связи, РЛС, а так же военной, авиационной и аэрокосмической отраслях промышленности).



Телефон: 8 (812) 309-75-97 (многоканальный)

Факс: 8 (812) 320-03-32

Электронная почта: ocean@oceanchips.ru

Web: <http://oceanchips.ru/>

Адрес: 198099, г. Санкт-Петербург, ул. Калинина, д. 2, корп. 4, лит. А