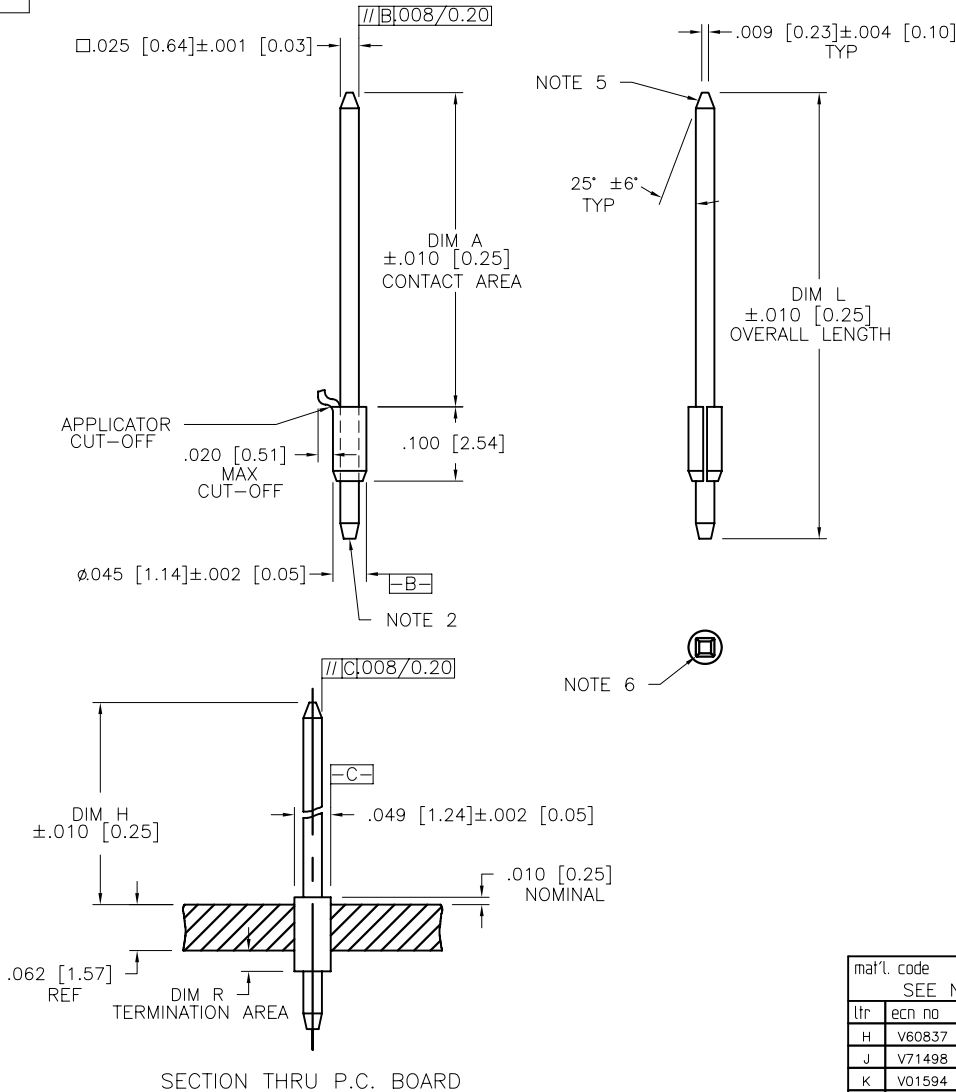


PRODUCT NUMBER
SEE TABLE



NOTES :

- ①. MATERIAL : POST, 3/4 HD PHOS BRONZE ASTM B-159-66.
FERRULE, 3/4 HD CARTRIDGE BRASS ASTM B-36-67.
- ②. FLAT MAY GO TO .016 [0.41] MAX WHEN DIM "R" IS UNDER .200 [5.08].
- ③. SEE PRODUCT SPECIFICATION BUS-12-040 FOR P.C. BOARD HOLE DIAMETER AND P.C. BOARD HOLE PLATING INFORMATION.
- ④. CENTER LINE OF THE TERMINAL MUST BE IN THE TRUE POSITION IN RESPECT TO THE HOLE AXIS, WITHIN .015 [0.38] DIA AFTER INSERTION IN P.C. BOARD.
- ⑤. TWO SIDES OF LEAD-IN NOT PLATED. TYP BOTH ENDS.
- ⑥. .002 [0.05] R MAX TYP (4) ON WIRE WRAP PORTION OF POST.
- ⑦. POST TO FERRULE RETENTION 12 LBS [5.44 KG] MIN. BEFORE STAKING.
- ⑧. POST IS BONDED TO FERRULE.
- ⑨. BURNISH MARKS ON PINS PERMITTED.
- ⑩. .015 [0.38] MAX SOLDER PERMISSIBLE ABOVE AND BELOW THE FERRULE ON THE SURFACE OF THE PIN.
- ⑪. ADD AN LF SUFFIX TO PART NUMBERS FOR PRODUCT THAT MEETS EUROPEAN UNION DIRECTIVES AND OTHER COUNTRY REGULATIONS AS DESCRIBED IN GS-22-008. PLATING CODE 4 AVAILABLE AS LF (TIN) ONLY.
- ⑫. THIS PRODUCT HAS 100% TIN PLATING IN THE INTERFACE AND HAS NOT BEEN TESTED FOR WHISKER GROWTH IN ALL INTERCONNECT ENVIRONMENTS.

mat'l. code SEE NOTE 1				surface ASME Y14.5 ✓ tolerance ASME Y14.5		projection INCH/MM		product family PIN PRODUCTS	
ltr	ecr no	dr	date	tolerances unless otherwise specified		INCH/MM		title	
H	V60837	EPK	1996-06-10	angles	XX*.01/X*.3	INCH/MM		BERGPOST® LOOSE PIECE WITH RETENTION NICKS	
J	V71498	HTB	1997-10-28	flat	XXX*.005/XXX*.13	scale 5:1		dwg no	
K	V01594	JRW	2000-07-12	0°±2'	XXXX*.0020/XXX*.051	FCI		sheet 1 of 4	
L	V05-0387	HTB	2005-04-27	dr	E. KROPIEWNICKI	1996-06-10		size	
M	V06-0685	HTB	2006-07-26	engr	L. FYE	1996-06-10		76200	
N	V08-0379	HTB	2008-09-04	chr	T. BREWBAKER	1996-06-10		A4	
				appd	L. FYE	1996-06-10		type	
sheet	revision	N	N	N	N			CUSTOMER Drawing	
index	sheet	1	2	3	4				



PRODUCT NUMBER NOTE 11	CONTACT AREA DIM A	DIM H	OVERALL LENGTH DIM L	DIM R	PLATING CODE
76200-001	.308 / 7.82	.328 / 8.33	.450 / 11.43	.060 / 1.52	OBSOLETE
76200-001LF	.308 / 7.82	.328 / 8.33	.450 / 11.43	.060 / 1.52	4
76200-002	.558 / 14.17	.578 / 14.68	.700 / 17.78	.060 / 1.52	OBSOLETE
76200-002LF	.558 / 14.17	.578 / 14.68	.700 / 17.78	.060 / 1.52	4
76200-003	.698 / 17.73	.718 / 18.24	.840 / 21.34	.060 / 1.52	OBSOLETE
76200-003LF	.698 / 17.73	.718 / 18.24	.840 / 21.34	.060 / 1.52	4
76200-004	.748 / 19.00	.768 / 19.51	.890 / 22.61	.060 / 1.52	OBSOLETE
76200-004LF	.748 / 19.00	.768 / 19.51	.890 / 22.61	.060 / 1.52	4
76200-005	.558 / 14.17	.578 / 14.68	1.210 / 30.73	.570 / 14.48	OBSOLETE
76200-005LF	.558 / 14.17	.578 / 14.68	1.210 / 30.73	.570 / 14.48	4
76200-006	.558 / 14.17	.578 / 14.68	1.400 / 35.56	.760 / 19.30	OBSOLETE
76200-006LF	.558 / 14.17	.578 / 14.68	1.400 / 35.56	.760 / 19.30	4
76200-007	.698 / 17.73	.718 / 18.24	1.485 / 37.72	.705 / 17.91	OBSOLETE
76200-007LF	.698 / 17.73	.718 / 18.24	1.485 / 37.72	.705 / 17.91	4
76200-008	.228 / 5.79	.248 / 6.30	.370 / 9.40	.060 / 1.52	OBSOLETE
76200-008LF	.228 / 5.79	.248 / 6.30	.370 / 9.40	.060 / 1.52	4
76200-009	.558 / 14.17	.578 / 14.68	.880 / 22.35	.240 / 6.10	OBSOLETE
76200-009LF	.558 / 14.17	.578 / 14.68	.880 / 22.35	.240 / 6.10	4
76200-010	.583 / 14.81	.603 / 15.32	1.000 / 25.40	.335 / 8.51	OBSOLETE
76200-010LF	.583 / 14.81	.603 / 15.32	1.000 / 25.40	.335 / 8.51	4
76200-011	.308 / 7.82	.328 / 8.33	.450 / 11.43	.060 / 1.52	1
76200-011LF	.308 / 7.82	.328 / 8.33	.450 / 11.43	.060 / 1.52	1
76200-012	SUPERCEDED BY 76200-070				
76200-013	.698 / 17.73	.718 / 18.24	.840 / 21.34	.060 / 1.52	1
76200-013LF	.698 / 17.73	.718 / 18.24	.840 / 21.34	.060 / 1.52	1
76200-014	SUPERCEDED BY 76200-059				
76200-015	.558 / 14.17	.578 / 14.68	1.210 / 30.73	.570 / 14.48	1
76200-015LF	.558 / 14.17	.578 / 14.68	1.210 / 30.73	.570 / 14.48	1
76200-016	.558 / 14.17	.578 / 14.68	1.400 / 35.56	.760 / 19.30	1
76200-016LF	.558 / 14.17	.578 / 14.68	1.400 / 35.56	.760 / 19.30	1
76200-017	.698 / 17.73	.718 / 18.24	1.485 / 37.72	.705 / 17.91	1
76200-017LF	.698 / 17.73	.718 / 18.24	1.485 / 37.72	.705 / 17.91	1
76200-018	.228 / 5.79	.248 / 6.30	.370 / 9.40	.060 / 1.52	1
76200-018LF	.228 / 5.79	.248 / 6.30	.370 / 9.40	.060 / 1.52	1
76200-019	.558 / 14.17	.578 / 14.68	.880 / 22.35	.240 / 6.10	1
76200-019LF	.558 / 14.17	.578 / 14.68	.880 / 22.35	.240 / 6.10	1

PRODUCT NUMBER NOTE 11	CONTACT AREA DIM A	DIM H	OVERALL LENGTH DIM L	DIM R	NOTES
76200-020	.380 / 9.65	.400 / 10.16	.520 / 13.21	.058 / 1.47	3
76200-020LF	.380 / 9.65	.400 / 10.16	.520 / 13.21	.058 / 1.47	3
76200-021	.520 / 13.21	.540 / 13.72	.662 / 16.81	.060 / 1.52	3
76200-021LF	.520 / 13.21	.540 / 13.72	.662 / 16.81	.060 / 1.52	3
76200-022	.380 / 9.65	.400 / 10.16	.772 / 19.61	.320 / 8.13	3
76200-022LF	.380 / 9.65	.400 / 10.16	.772 / 19.61	.320 / 8.13	3
76200-023	.520 / 13.21	.540 / 13.72	.912 / 23.16	.320 / 8.13	3
76200-023LF	.520 / 13.21	.540 / 13.72	.912 / 23.16	.320 / 8.13	3
76200-024	.380 / 9.65	.400 / 10.16	.522 / 13.26	.060 / 1.52	OBSOLETE
76200-024LF	.380 / 9.65	.400 / 10.16	.522 / 13.26	.060 / 1.52	4
76200-025	.520 / 13.21	.540 / 13.72	.662 / 16.81	.060 / 1.52	OBSOLETE
76200-025LF	.520 / 13.21	.540 / 13.72	.662 / 16.81	.060 / 1.52	4
76200-026	.380 / 9.65	.400 / 10.16	.772 / 19.61	.320 / 8.13	OBSOLETE
76200-026LF	.380 / 9.65	.400 / 10.16	.772 / 19.61	.320 / 8.13	4
76200-027	.520 / 13.21	.540 / 13.72	.912 / 23.16	.320 / 8.13	OBSOLETE
76200-027LF	.520 / 13.21	.540 / 13.72	.912 / 23.16	.320 / 8.13	4
76200-028	.228 / 5.79	.248 / 6.30	.550 / 13.97	.240 / 6.10	3
76200-028LF	.228 / 5.79	.248 / 6.30	.550 / 13.97	.240 / 6.10	3
76200-029	.323 / 8.20	.343 / 8.71	.463 / 11.76	.058 / 1.47	3
76200-029LF	.323 / 8.20	.343 / 8.71	.463 / 11.76	.058 / 1.47	3
76200-030	.573 / 14.55	.593 / 15.06	.715 / 18.16	.060 / 1.52	3
76200-030LF	.573 / 14.55	.593 / 15.06	.715 / 18.16	.060 / 1.52	3
76200-031	.698 / 17.73	.718 / 18.24	.840 / 21.34	.060 / 1.52	3
76200-031LF	.698 / 17.73	.718 / 18.24	.840 / 21.34	.060 / 1.52	3
76200-032	.763 / 19.38	.783 / 19.89	.905 / 22.99	.060 / 1.52	3
76200-032LF	.763 / 19.38	.783 / 19.89	.905 / 22.99	.060 / 1.52	3
76200-033	.573 / 14.55	.593 / 15.06	1.240 / 31.50	.585 / 14.86	3
76200-033LF	.573 / 14.55	.593 / 15.06	1.240 / 31.50	.585 / 14.86	3
76200-034	.573 / 14.55	.593 / 15.06	1.430 / 36.32	.775 / 19.69	3
76200-034LF	.573 / 14.55	.593 / 15.06	1.430 / 36.32	.775 / 19.69	3

A

A

PLATING CODE	PLATING	UNDERPLATING
1	30μ" [0.76μ] Au	50μ" [1.27μ] Ni
2	UNASSIGNED	
3	50μ" [1.27μ] Au	50μ" [1.27μ] Ni
4	TIN LEAD OPTION	120μ" [3.05μ] 93/7 SnPb
	LF OPTION (NOTE 12)	100μ" [2.54μ] Sn
5	30μ" [0.76μ] GXT™	50μ" [1.27μ] Ni
6	15μ" [0.38μ] GXT™	50μ" [1.27μ] Ni
7	UNASSIGNED	
8	UNASSIGNED	
9	15μ" [0.38μ] Au	50μ" [1.27μ] Ni

DISCONTINUED

mat'l. code SEE NOTE 1		surface ASME Y14.5	tolerance ASME Y14.5	projection 	product family PIN PRODUCTS
ltr	ecn no	dr	date	tolerances unless otherwise specified	title BERGPOST® LOOSE PIECE WITH RETENTION NICKS
N				angles XX*01/XX*3 XXX*005/XXX*13	INCH/MM
				0°±2'	scale 1:1
		dr	E. KROPIEWNICKI	1996-06-04	dwg no
		engr	L. FYE	1996-06-04	sheet 2 of 4
		chr	T. BREWBAKER	1996-06-04	size 76200 A4
		appd	L. FYE	1996-06-04	type CUSTOMER Drawing
sheet index	revision	sheet			

B

B



PRODUCT NUMBER NOTE 11	CONTACT AREA DIM A	DIM H	OVERALL LENGTH DIM L	DIM R	PLATING CODE
76200-035	.698 / 17.73	.718 / 18.24	1.485 / 37.72	.705 / 17.91	3
76200-035LF	.698 / 17.73	.718 / 18.24	1.485 / 37.72	.705 / 17.91	3
76200-036	.228 / 5.79	.248 / 6.30	.370 / 9.40	.060 / 1.52	3
76200-036LF	.228 / 5.79	.248 / 6.30	.370 / 9.40	.060 / 1.52	3
76200-037	.573 / 14.55	.593 / 15.06	.895 / 22.73	.240 / 6.10	3
76200-037LF	.573 / 14.55	.593 / 15.06	.895 / 22.73	.240 / 6.10	3
76200-038	.448 / 11.38	.468 / 11.89	.590 / 14.99	.060 / 1.52	3
76200-038LF	.448 / 11.38	.468 / 11.89	.590 / 14.99	.060 / 1.52	3
76200-039	.485 / 12.32	.505 / 12.83	.960 / 24.38	.393 / 9.98	OBSOLETE
76200-039LF	.485 / 12.32	.505 / 12.83	.960 / 24.38	.393 / 9.98	4
76200-040	.380 / 9.65	.400 / 10.16	.522 / 13.26	.060 / 1.52	1
76200-040LF	.380 / 9.65	.400 / 10.16	.522 / 13.26	.060 / 1.52	1
76200-041	.583 / 14.81	.603 / 15.32	1.000 / 25.40	.335 / 8.51	1
76200-041LF	.583 / 14.81	.603 / 15.32	1.000 / 25.40	.335 / 8.51	1
76200-042	.520 / 13.21	.540 / 13.72	.912 / 23.16	.320 / 8.13	1
76200-042LF	.520 / 13.21	.540 / 13.72	.912 / 23.16	.320 / 8.13	1
76200-043	.558 / 14.17	.578 / 14.68	.700 / 17.78	.060 / 1.52	3
76200-043LF	.558 / 14.17	.578 / 14.68	.700 / 17.78	.060 / 1.52	3
76200-044	.615 / 15.62	.628 / 15.95	1.010 / 25.65	.320 / 8.13	3
76200-044LF	.615 / 15.62	.628 / 15.95	1.010 / 25.65	.320 / 8.13	3
76200-045	.323 / 8.20	.343 / 8.71	.465 / 11.81	.060 / 1.52	OBSOLETE
76200-045LF	.323 / 8.20	.343 / 8.71	.465 / 11.81	.060 / 1.52	4
76200-046	SUPERCEDED BY 76200-069				
76200-047	.240 / 6.10	.260 / 6.60	.732 / 18.59	.410 / 10.41	1
76200-047LF	.240 / 6.10	.260 / 6.60	.732 / 18.59	.410 / 10.41	1
76200-048	.390 / 9.91	.410 / 10.41	1.075 / 27.31	.603 / 15.32	1
76200-048LF	.390 / 9.91	.410 / 10.41	1.075 / 27.31	.603 / 15.32	1
76200-049	.380 / 9.65	.400 / 10.16	.710 / 18.03	.248 / 6.30	3
76200-049LF	.380 / 9.65	.400 / 10.16	.710 / 18.03	.248 / 6.30	3
76200-050	.308 / 7.82	.328 / 8.33	.450 / 11.43	.060 / 1.52	OBSOLETE
76200-050LF	.308 / 7.82	.328 / 8.33	.450 / 11.43	.060 / 1.52	4
76200-051	.630 / 16.00	.650 / 16.51	1.122 / 28.50	.410 / 10.41	1
76200-051LF	.630 / 16.00	.650 / 16.51	1.122 / 28.50	.410 / 10.41	1
76200-052	.390 / 9.91	.410 / 10.41	1.122 / 28.50	.650 / 16.51	1
76200-052LF	.390 / 9.91	.410 / 10.41	1.122 / 28.50	.650 / 16.51	1

PRODUCT NUMBER NOTE 11	CONTACT AREA DIM A	DIM H	OVERALL LENGTH DIM L	DIM R	PLATING CODE
76200-053	.255 / 6.48	.275 / 6.99	.772 / 19.61	.435 / 11.05	3
76200-053LF	.255 / 6.48	.275 / 6.99	.772 / 19.61	.435 / 11.05	3
76200-054	.255 / 6.48	.275 / 6.99	.642 / 16.31	.305 / 7.75	3
76200-054LF	.255 / 6.48	.275 / 6.99	.642 / 16.31	.305 / 7.75	3
76200-055	.651 / 16.54	.671 / 17.04	.793 / 20.14	.060 / 1.52	1
76200-055LF	.651 / 16.54	.671 / 17.04	.793 / 20.14	.060 / 1.52	1
76200-056	.500 / 12.70	.520 / 13.21	.640 / 16.26	.058 / 1.47	OBSOLETE
76200-056LF	.500 / 12.70	.520 / 13.21	.640 / 16.26	.058 / 1.47	4
76200-057	.250 / 6.35	.270 / 6.86	.572 / 14.53	.240 / 6.10	1
76200-057LF	.250 / 6.35	.270 / 6.86	.572 / 14.53	.240 / 6.10	1
76200-058	.250 / 6.35	.270 / 6.86	.390 / 9.91	.058 / 1.47	1
76200-058LF	.250 / 6.35	.270 / 6.86	.390 / 9.91	.058 / 1.47	1
76200-059	.750 / 19.05	.770 / 19.56	.892 / 22.66	.060 / 1.52	1
76200-059LF	.750 / 19.05	.770 / 19.56	.892 / 22.66	.060 / 1.52	1
76200-060	.380 / 9.65	.400 / 10.16	.880 / 22.35	.418 / 10.62	1
76200-060LF	.380 / 9.65	.400 / 10.16	.880 / 22.35	.418 / 10.62	1
76200-061	.280 / 7.11	.300 / 7.62	.552 / 14.02	.190 / 4.83	1
76200-061LF	.280 / 7.11	.300 / 7.62	.552 / 14.02	.190 / 4.83	1
76200-062	.338 / 8.59	.358 / 9.09	.478 / 12.14	.058 / 1.47	1
76200-062LF	.338 / 8.59	.358 / 9.09	.478 / 12.14	.058 / 1.47	1
76200-063	UNAVAILABLE				
76200-063LF	UNAVAILABLE				
76200-064	.380 / 9.65	.400 / 10.16	.960 / 24.38	.498 / 12.65	OBSOLETE
76200-064LF	.380 / 9.65	.400 / 10.16	.960 / 24.38	.498 / 12.65	4
76200-065	.698 / 17.73	.718 / 18.24	1.000 / 25.40	.225 / 5.72	OBSOLETE
76200-065LF	.698 / 17.73	.718 / 18.24	1.000 / 25.40	.225 / 5.72	4
76200-066	.755 / 19.18	.775 / 19.69	1.260 / 32.00	.420 / 10.67	1
76200-066LF	.755 / 19.18	.775 / 19.69	1.260 / 32.00	.420 / 10.67	1
76200-067	.228 / 5.79	.248 / 6.30	.368 / 9.35	.058 / 1.47	OBSOLETE
76200-067LF	.228 / 5.79	.248 / 6.30	.368 / 9.35	.058 / 1.47	4
76200-068	.250 / 6.35	.270 / 6.86	.650 / 16.51	.318 / 8.08	1
76200-068LF	.250 / 6.35	.270 / 6.86	.650 / 16.51	.318 / 8.08	1

A

A

B

B

mat'l. code SEE NOTE 1		surface ASME Y14.5	tolerance ASME Y14.5	projection 	product family PIN PRODUCTS
ltr	ecr no	dr	date	title	
N				BERGPOST® LOOSE PIECE WITH RETENTION NICKS	
				scale	1:1
				sheet 3 of 4 size	
				76200 A4	
				type CUSTOMER Drawing	
sheet index	revision sheet				



PRODUCT NUMBER NOTE 11	CONTACT AREA DIM A	DIM H	OVERALL LENGTH DIM L	DIM R	PLATING CODE
76200-069	.583 / 14.81	.603 / 15.32	1.075 / 27.31	.410 / 10.41	1
76200-069LF	.583 / 14.81	.603 / 15.32	1.075 / 27.31	.410 / 10.41	1
76200-070	.558 / 14.17	.578 / 14.68	.695 / 17.65	.055 / 1.40	1
76200-070LF	.558 / 14.17	.578 / 14.68	.695 / 17.65	.055 / 1.40	1
76200-071	.390 / 9.91	.410 / 10.41	1.075 / 27.31	.603 / 15.32	1
76200-071LF	.390 / 9.91	.410 / 10.41	1.075 / 27.31	.603 / 15.32	1
76200-072	.240 / 6.10	.260 / 6.60	.732 / 18.59	.410 / 10.41	1
76200-072LF	.240 / 6.10	.260 / 6.60	.732 / 18.59	.410 / 10.41	1
76200-073	.630 / 16.00	.650 / 16.51	1.122 / 28.50	.410 / 10.41	1
76200-073LF	.630 / 16.00	.650 / 16.51	1.122 / 28.50	.410 / 10.41	1
76200-074	.390 / 9.91	.410 / 10.41	1.122 / 28.50	.650 / 16.51	1
76200-074LF	.390 / 9.91	.410 / 10.41	1.122 / 28.50	.650 / 16.51	1
76200-075	.573 / 14.55	.593 / 15.06	.895 / 22.73	.240 / 6.10	OBSOLETE
76200-075LF	.573 / 14.55	.593 / 15.06	.895 / 22.73	.240 / 6.10	4
76200-076	.308 / 7.82	.328 / 8.33	.445 / 11.30	.055 / 1.40	1
76200-076LF	.308 / 7.82	.328 / 8.33	.445 / 11.30	.055 / 1.40	1
76200-077	.558 / 14.17	.578 / 14.68	.695 / 17.65	.055 / 1.40	OBSOLETE
76200-077LF	.558 / 14.17	.578 / 14.68	.695 / 17.65	.055 / 1.40	4
76200-078	.400 / 10.16	.420 / 10.67	.892 / 22.66	.410 / 10.41	1
76200-078LF	.400 / 10.16	.420 / 10.67	.892 / 22.66	.410 / 10.41	1
76200-079	.630 / 16.00	.650 / 16.51	.770 / 19.56	.058 / 1.47	1
76200-079LF	.630 / 16.00	.650 / 16.51	.770 / 19.56	.058 / 1.47	1
76200-080	.583 / 14.81	.603 / 15.32	1.075 / 27.31	.410 / 10.41	9
76200-080LF	.583 / 14.81	.603 / 15.32	1.075 / 27.31	.410 / 10.41	9
76200-081	.558 / 14.17	.578 / 14.68	.700 / 17.78	.060 / 1.52	9
76200-081LF	.558 / 14.17	.578 / 14.68	.700 / 17.78	.060 / 1.52	9
76200-082	.390 / 9.91	.410 / 10.41	1.075 / 27.31	.603 / 15.32	9
76200-082LF	.390 / 9.91	.410 / 10.41	1.075 / 27.31	.603 / 15.32	9
76200-083	.240 / 6.10	.260 / 6.60	.732 / 18.59	.410 / 10.41	9
76200-083LF	.240 / 6.10	.260 / 6.60	.732 / 18.59	.410 / 10.41	9
76200-084	.630 / 16.00	.650 / 16.51	1.122 / 28.50	.410 / 10.41	9
76200-084LF	.630 / 16.00	.650 / 16.51	1.122 / 28.50	.410 / 10.41	9
76200-085	.390 / 9.91	.410 / 10.41	1.122 / 28.50	.650 / 16.51	9
76200-085LF	.390 / 9.91	.410 / 10.41	1.122 / 28.50	.650 / 16.51	9

PRODUCT NUMBER NOTE 11	CONTACT AREA DIM A	DIM H	OVERALL LENGTH DIM L	DIM R	PLATING CODE
76200-086	.308 / 7.82	.328 / 8.33	.450 / 11.43	.060 / 1.52	9
76200-086LF	.308 / 7.82	.328 / 8.33	.450 / 11.43	.060 / 1.52	9
76200-087	.400 / 10.16	.420 / 10.67	.892 / 22.66	.410 / 10.41	9
76200-087LF	.400 / 10.16	.420 / 10.67	.892 / 22.66	.410 / 10.41	9
76200-088	.630 / 16.00	.650 / 16.51	.770 / 19.56	.058 / 1.47	9
76200-088LF	.630 / 16.00	.650 / 16.51	.770 / 19.56	.058 / 1.47	9
76200-089	.630 / 16.00	.650 / 16.51	1.122 / 28.50	.410 / 10.41	OBSOLETE
76200-089LF	.630 / 16.00	.650 / 16.51	1.122 / 28.50	.410 / 10.41	4
76200-090	.636 / 16.15	.650 / 16.51	1.122 / 28.50	.410 / 10.41	3
76200-090LF	.636 / 16.15	.650 / 16.51	1.122 / 28.50	.410 / 10.41	3
76200-091	.573 / 14.55	.593 / 15.06	.895 / 22.73	.240 / 6.10	9
76200-091LF	.573 / 14.55	.593 / 15.06	.895 / 22.73	.240 / 6.10	9
76200-092	.485 / 12.32	.505 / 12.83	.960 / 24.38	.393 / 9.98	1
76200-092LF	.485 / 12.32	.505 / 12.83	.960 / 24.38	.393 / 9.98	1

A

A

B

B

mat'l. code SEE NOTE 1		surface ASME Y14.5 <input checked="" type="checkbox"/> ASME Y14.5		tolerance tolerances unless otherwise specified		projection 		product family PIN PRODUCTS	
ltr	ecr no	dr	date	angles	fin fin	INCH/MM	scale	title BERGPOST® LOOSE PIECE WITH RETENTION NICKS	
N					XX*01/X*3 XXX*005/XX*13 XXXX*0020/XXX*051		1:1	dwg no 76200	
				dr	E. KROPIEWNICKI			sheet 4 of 4 size A4	
				engr	L. FYE			type CUSTOMER Drawing	
				chr	T. BREWBAKER				
				appd	L. FYE				
sheet index	revision sheet								

Компания «Океан Электроники» предлагает заключение долгосрочных отношений при поставках импортных электронных компонентов на взаимовыгодных условиях!

Наши преимущества:

- Поставка оригинальных импортных электронных компонентов напрямую с производств Америки, Европы и Азии, а так же с крупнейших складов мира;
- Широкая линейка поставок активных и пассивных импортных электронных компонентов (более 30 млн. наименований);
- Поставка сложных, дефицитных, либо снятых с производства позиций;
- Оперативные сроки поставки под заказ (от 5 рабочих дней);
- Экспресс доставка в любую точку России;
- Помощь Конструкторского Отдела и консультации квалифицированных инженеров;
- Техническая поддержка проекта, помощь в подборе аналогов, поставка прототипов;
- Поставка электронных компонентов под контролем ВП;
- Система менеджмента качества сертифицирована по Международному стандарту ISO 9001;
- При необходимости вся продукция военного и аэрокосмического назначения проходит испытания и сертификацию в лаборатории (по согласованию с заказчиком);
- Поставка специализированных компонентов военного и аэрокосмического уровня качества (Xilinx, Altera, Analog Devices, Intersil, Interpoint, Microsemi, Actel, Aeroflex, Peregrine, VPT, Syfer, Eurofarad, Texas Instruments, MS Kennedy, Miteq, Cobham, E2V, MA-COM, Hittite, Mini-Circuits, General Dynamics и др.);

Компания «Океан Электроники» является официальным дистрибьютором и эксклюзивным представителем в России одного из крупнейших производителей разъемов военного и аэрокосмического назначения «JONHON», а так же официальным дистрибьютором и эксклюзивным представителем в России производителя высокотехнологичных и надежных решений для передачи СВЧ сигналов «FORSTAR».



JONHON

«JONHON» (основан в 1970 г.)

Разъемы специального, военного и аэрокосмического назначения:

(Применяются в военной, авиационной, аэрокосмической, морской, железнодорожной, горно- и нефтедобывающей отраслях промышленности)

«FORSTAR» (основан в 1998 г.)

ВЧ соединители, коаксиальные кабели, кабельные сборки и микроволновые компоненты:

(Применяются в телекоммуникациях гражданского и специального назначения, в средствах связи, РЛС, а так же военной, авиационной и аэрокосмической отраслях промышленности).



Телефон: 8 (812) 309-75-97 (многоканальный)

Факс: 8 (812) 320-03-32

Электронная почта: ocean@oceanchips.ru

Web: <http://oceanchips.ru/>

Адрес: 198099, г. Санкт-Петербург, ул. Калинина, д. 2, корп. 4, лит. А