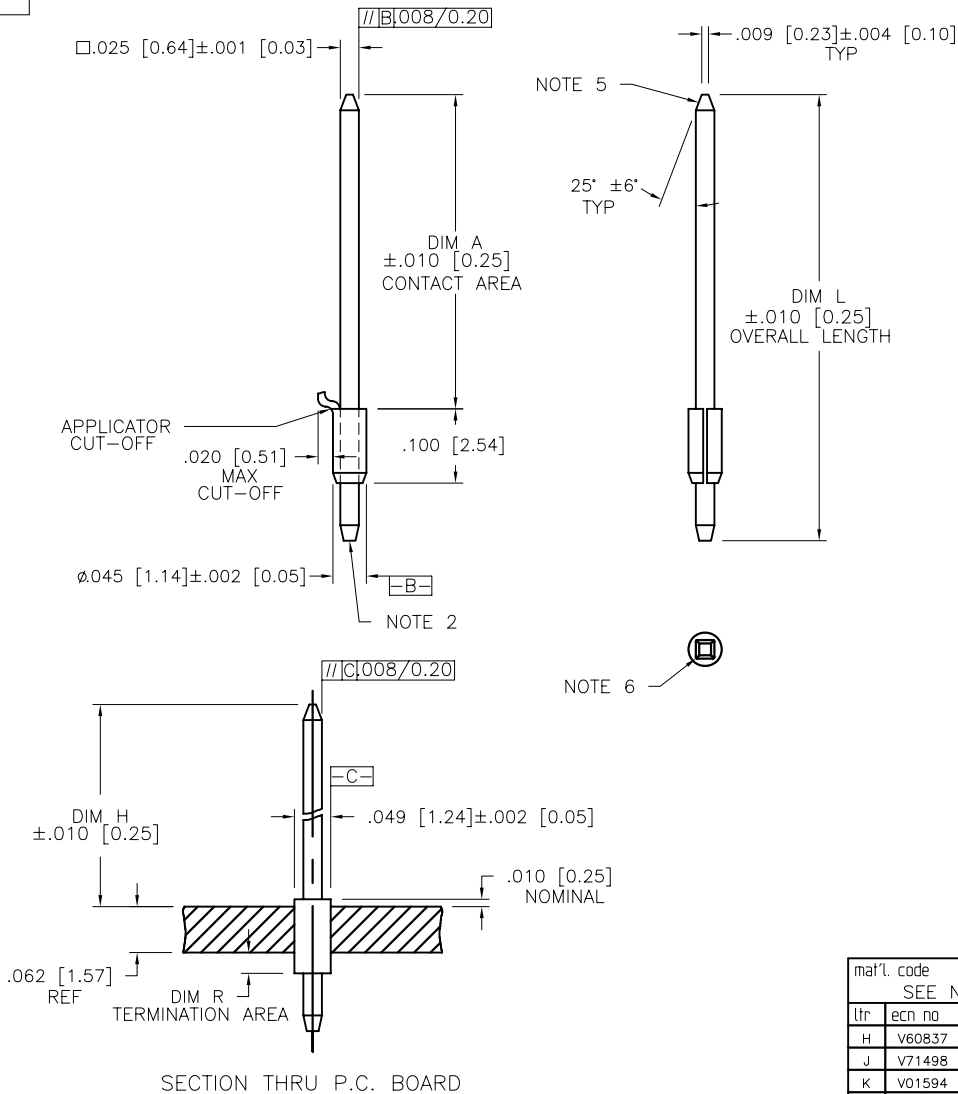


PRODUCT NUMBER
SEE TABLE



NOTES :

- ①. MATERIAL : POST, 3/4 HD PHOS BRONZE ASTM B-159-66.
FERRULE, 3/4 HD CARTRIDGE BRASS ASTM B-36-67.
- ②. FLAT MAY GO TO .016 [0.41] MAX WHEN DIM "R" IS UNDER .200 [5.08].
- ③. SEE PRODUCT SPECIFICATION BUS-12-040 FOR P.C. BOARD HOLE DIAMETER AND P.C. BOARD HOLE PLATING INFORMATION.
- ④. CENTER LINE OF THE TERMINAL MUST BE IN THE TRUE POSITION IN RESPECT TO THE HOLE AXIS, WITHIN .015 [0.38] DIA AFTER INSERTION IN P.C. BOARD.
- ⑤. TWO SIDES OF LEAD-IN NOT PLATED. TYP BOTH ENDS.
- ⑥. .002 [0.05] R MAX TYP (4) ON WIRE WRAP PORTION OF POST.
- ⑦. POST TO FERRULE RETENTION 12 LBS [5.44 KG] MIN. BEFORE STAKING.
- ⑧. POST IS BONDED TO FERRULE.
- ⑨. BURNISH MARKS ON PINS PERMITTED.
- ⑩. .015 [0.38] MAX SOLDER PERMISSIBLE ABOVE AND BELOW THE FERRULE ON THE SURFACE OF THE PIN.
- ⑪. ADD AN LF SUFFIX TO PART NUMBERS FOR PRODUCT THAT MEETS EUROPEAN UNION DIRECTIVES AND OTHER COUNTRY REGULATIONS AS DESCRIBED IN GS-22-008. PLATING CODE 4 AVAILABLE AS LF (TIN) ONLY.
- ⑫. THIS PRODUCT HAS 100% TIN PLATING IN THE INTERFACE AND HAS NOT BEEN TESTED FOR WHISKER GROWTH IN ALL INTERCONNECT ENVIRONMENTS.

mat'l. code SEE NOTE 1				surface ASME Y14.5		tolerance ASME Y14.5		projection		product family PIN PRODUCTS	
ltr	ecr no	dr	date	tolerances unless otherwise specified		angles		INCH/MM		title	
H	V60837	EPK	1996-06-10			XX*.01/X*.3				BERGPOST® LOOSE PIECE WITH RETENTION NICKS	
J	V71498	HTB	1997-10-28			XXX*.005/XXX*.13				dwg no	
K	V01594	JRW	2000-07-12	0°±2'		XXXX*.0020/XXX*.051		scale 5:1		sheet 1 of 4	
L	V05-0387	HTB	2005-04-27	dr		E. KROPIEWNICKI		1996-06-10		size	
M	V06-0685	HTB	2006-07-26	engr		L. FYE		1996-06-10		A4	
N	V08-0379	HTB	2008-09-04	chr		T. BREWBAKER		1996-06-10		76200	
				appd		L. FYE		1996-06-10		CUSTOMER Drawing	
sheet index	revision	N	N	N	N						
	sheet	1	2	3	4						



PRODUCT NUMBER NOTE 11	CONTACT AREA DIM A	DIM H	OVERALL LENGTH DIM L	DIM R	PLATING CODE
76200-001	.308 / 7.82	.328 / 8.33	.450 / 11.43	.060 / 1.52	OBSOLETE
76200-001LF	.308 / 7.82	.328 / 8.33	.450 / 11.43	.060 / 1.52	4
76200-002	.558 / 14.17	.578 / 14.68	.700 / 17.78	.060 / 1.52	OBSOLETE
76200-002LF	.558 / 14.17	.578 / 14.68	.700 / 17.78	.060 / 1.52	4
76200-003	.698 / 17.73	.718 / 18.24	.840 / 21.34	.060 / 1.52	OBSOLETE
76200-003LF	.698 / 17.73	.718 / 18.24	.840 / 21.34	.060 / 1.52	4
76200-004	.748 / 19.00	.768 / 19.51	.890 / 22.61	.060 / 1.52	OBSOLETE
76200-004LF	.748 / 19.00	.768 / 19.51	.890 / 22.61	.060 / 1.52	4
76200-005	.558 / 14.17	.578 / 14.68	1.210 / 30.73	.570 / 14.48	OBSOLETE
76200-005LF	.558 / 14.17	.578 / 14.68	1.210 / 30.73	.570 / 14.48	4
76200-006	.558 / 14.17	.578 / 14.68	1.400 / 35.56	.760 / 19.30	OBSOLETE
76200-006LF	.558 / 14.17	.578 / 14.68	1.400 / 35.56	.760 / 19.30	4
76200-007	.698 / 17.73	.718 / 18.24	1.485 / 37.72	.705 / 17.91	OBSOLETE
76200-007LF	.698 / 17.73	.718 / 18.24	1.485 / 37.72	.705 / 17.91	4
76200-008	.228 / 5.79	.248 / 6.30	.370 / 9.40	.060 / 1.52	OBSOLETE
76200-008LF	.228 / 5.79	.248 / 6.30	.370 / 9.40	.060 / 1.52	4
76200-009	.558 / 14.17	.578 / 14.68	.880 / 22.35	.240 / 6.10	OBSOLETE
76200-009LF	.558 / 14.17	.578 / 14.68	.880 / 22.35	.240 / 6.10	4
76200-010	.583 / 14.81	.603 / 15.32	1.000 / 25.40	.335 / 8.51	OBSOLETE
76200-010LF	.583 / 14.81	.603 / 15.32	1.000 / 25.40	.335 / 8.51	4
76200-011	.308 / 7.82	.328 / 8.33	.450 / 11.43	.060 / 1.52	1
76200-011LF	.308 / 7.82	.328 / 8.33	.450 / 11.43	.060 / 1.52	1
76200-012	SUPERCEDED BY 76200-070				
76200-013	.698 / 17.73	.718 / 18.24	.840 / 21.34	.060 / 1.52	1
76200-013LF	.698 / 17.73	.718 / 18.24	.840 / 21.34	.060 / 1.52	1
76200-014	SUPERCEDED BY 76200-059				
76200-015	.558 / 14.17	.578 / 14.68	1.210 / 30.73	.570 / 14.48	1
76200-015LF	.558 / 14.17	.578 / 14.68	1.210 / 30.73	.570 / 14.48	1
76200-016	.558 / 14.17	.578 / 14.68	1.400 / 35.56	.760 / 19.30	1
76200-016LF	.558 / 14.17	.578 / 14.68	1.400 / 35.56	.760 / 19.30	1
76200-017	.698 / 17.73	.718 / 18.24	1.485 / 37.72	.705 / 17.91	1
76200-017LF	.698 / 17.73	.718 / 18.24	1.485 / 37.72	.705 / 17.91	1
76200-018	.228 / 5.79	.248 / 6.30	.370 / 9.40	.060 / 1.52	1
76200-018LF	.228 / 5.79	.248 / 6.30	.370 / 9.40	.060 / 1.52	1
76200-019	.558 / 14.17	.578 / 14.68	.880 / 22.35	.240 / 6.10	1
76200-019LF	.558 / 14.17	.578 / 14.68	.880 / 22.35	.240 / 6.10	1

PRODUCT NUMBER NOTE 11	CONTACT AREA DIM A	DIM H	OVERALL LENGTH DIM L	DIM R	NOTES
76200-020	.380 / 9.65	.400 / 10.16	.520 / 13.21	.058 / 1.47	3
76200-020LF	.380 / 9.65	.400 / 10.16	.520 / 13.21	.058 / 1.47	3
76200-021	.520 / 13.21	.540 / 13.72	.662 / 16.81	.060 / 1.52	3
76200-021LF	.520 / 13.21	.540 / 13.72	.662 / 16.81	.060 / 1.52	3
76200-022	.380 / 9.65	.400 / 10.16	.772 / 19.61	.320 / 8.13	3
76200-022LF	.380 / 9.65	.400 / 10.16	.772 / 19.61	.320 / 8.13	3
76200-023	.520 / 13.21	.540 / 13.72	.912 / 23.16	.320 / 8.13	3
76200-023LF	.520 / 13.21	.540 / 13.72	.912 / 23.16	.320 / 8.13	3
76200-024	.380 / 9.65	.400 / 10.16	.522 / 13.26	.060 / 1.52	OBSOLETE
76200-024LF	.380 / 9.65	.400 / 10.16	.522 / 13.26	.060 / 1.52	4
76200-025	.520 / 13.21	.540 / 13.72	.662 / 16.81	.060 / 1.52	OBSOLETE
76200-025LF	.520 / 13.21	.540 / 13.72	.662 / 16.81	.060 / 1.52	4
76200-026	.380 / 9.65	.400 / 10.16	.772 / 19.61	.320 / 8.13	OBSOLETE
76200-026LF	.380 / 9.65	.400 / 10.16	.772 / 19.61	.320 / 8.13	4
76200-027	.520 / 13.21	.540 / 13.72	.912 / 23.16	.320 / 8.13	OBSOLETE
76200-027LF	.520 / 13.21	.540 / 13.72	.912 / 23.16	.320 / 8.13	4
76200-028	.228 / 5.79	.248 / 6.30	.550 / 13.97	.240 / 6.10	3
76200-028LF	.228 / 5.79	.248 / 6.30	.550 / 13.97	.240 / 6.10	3
76200-029	.323 / 8.20	.343 / 8.71	.463 / 11.76	.058 / 1.47	3
76200-029LF	.323 / 8.20	.343 / 8.71	.463 / 11.76	.058 / 1.47	3
76200-030	.573 / 14.55	.593 / 15.06	.715 / 18.16	.060 / 1.52	3
76200-030LF	.573 / 14.55	.593 / 15.06	.715 / 18.16	.060 / 1.52	3
76200-031	.698 / 17.73	.718 / 18.24	.840 / 21.34	.060 / 1.52	3
76200-031LF	.698 / 17.73	.718 / 18.24	.840 / 21.34	.060 / 1.52	3
76200-032	.763 / 19.38	.783 / 19.89	.905 / 22.99	.060 / 1.52	3
76200-032LF	.763 / 19.38	.783 / 19.89	.905 / 22.99	.060 / 1.52	3
76200-033	.573 / 14.55	.593 / 15.06	1.240 / 31.50	.585 / 14.86	3
76200-033LF	.573 / 14.55	.593 / 15.06	1.240 / 31.50	.585 / 14.86	3
76200-034	.573 / 14.55	.593 / 15.06	1.430 / 36.32	.775 / 19.69	3
76200-034LF	.573 / 14.55	.593 / 15.06	1.430 / 36.32	.775 / 19.69	3

A

A

PLATING CODE	PLATING	UNDERPLATING
1	30µ" [0.76µ] Au	50µ" [1.27µ] Ni
2	UNASSIGNED	
3	50µ" [1.27µ] Au	50µ" [1.27µ] Ni
4	TIN LEAD OPTION	120µ" [3.05µ] 93/7 SnPb
	LF OPTION (NOTE 12)	100µ" [2.54µ] Sn
5	30µ" [0.76µ] GXT™	50µ" [1.27µ] Ni
6	15µ" [0.38µ] GXT™	50µ" [1.27µ] Ni
7	UNASSIGNED	
8	UNASSIGNED	
9	15µ" [0.38µ] Au	50µ" [1.27µ] Ni

DISCONTINUED

mat'l. code SEE NOTE 1		surface ASME Y14.5	tolerance ASME Y14.5	projection	product family PIN PRODUCTS
ltr	ecn no	dr	date	tolerances unless otherwise specified	title
N				angles	INCH/MM
				0°±2'	scale 1:1
		dr	E. KROPIEWNICKI	1996-06-04	BERGPOST® LOOSE PIECE WITH RETENTION NICKS
		engr	L. FYE	1996-06-04	
		chr	T. BREWBAKER	1996-06-04	
		appd	L. FYE	1996-06-04	
sheet index	revision sheet				dwg no 76200
					sheet 2 of 4
					size A4
					type CUSTOMER Drawing

B

B



PRODUCT NUMBER NOTE 11	CONTACT AREA DIM A	DIM H	OVERALL LENGTH DIM L	DIM R	PLATING CODE
76200-035	.698 / 17.73	.718 / 18.24	1.485 / 37.72	.705 / 17.91	3
76200-035LF	.698 / 17.73	.718 / 18.24	1.485 / 37.72	.705 / 17.91	3
76200-036	.228 / 5.79	.248 / 6.30	.370 / 9.40	.060 / 1.52	3
76200-036LF	.228 / 5.79	.248 / 6.30	.370 / 9.40	.060 / 1.52	3
76200-037	.573 / 14.55	.593 / 15.06	.895 / 22.73	.240 / 6.10	3
76200-037LF	.573 / 14.55	.593 / 15.06	.895 / 22.73	.240 / 6.10	3
76200-038	.448 / 11.38	.468 / 11.89	.590 / 14.99	.060 / 1.52	3
76200-038LF	.448 / 11.38	.468 / 11.89	.590 / 14.99	.060 / 1.52	3
76200-039	.485 / 12.32	.505 / 12.83	.960 / 24.38	.393 / 9.98	OBSOLETE
76200-039LF	.485 / 12.32	.505 / 12.83	.960 / 24.38	.393 / 9.98	4
76200-040	.380 / 9.65	.400 / 10.16	.522 / 13.26	.060 / 1.52	1
76200-040LF	.380 / 9.65	.400 / 10.16	.522 / 13.26	.060 / 1.52	1
76200-041	.583 / 14.81	.603 / 15.32	1.000 / 25.40	.335 / 8.51	1
76200-041LF	.583 / 14.81	.603 / 15.32	1.000 / 25.40	.335 / 8.51	1
76200-042	.520 / 13.21	.540 / 13.72	.912 / 23.16	.320 / 8.13	1
76200-042LF	.520 / 13.21	.540 / 13.72	.912 / 23.16	.320 / 8.13	1
76200-043	.558 / 14.17	.578 / 14.68	.700 / 17.78	.060 / 1.52	3
76200-043LF	.558 / 14.17	.578 / 14.68	.700 / 17.78	.060 / 1.52	3
76200-044	.615 / 15.62	.628 / 15.95	1.010 / 25.65	.320 / 8.13	3
76200-044LF	.615 / 15.62	.628 / 15.95	1.010 / 25.65	.320 / 8.13	3
76200-045	.323 / 8.20	.343 / 8.71	.465 / 11.81	.060 / 1.52	OBSOLETE
76200-045LF	.323 / 8.20	.343 / 8.71	.465 / 11.81	.060 / 1.52	4
76200-046	SUPERCEDED BY 76200-069				
76200-047	.240 / 6.10	.260 / 6.60	.732 / 18.59	.410 / 10.41	1
76200-047LF	.240 / 6.10	.260 / 6.60	.732 / 18.59	.410 / 10.41	1
76200-048	.390 / 9.91	.410 / 10.41	1.075 / 27.31	.603 / 15.32	1
76200-048LF	.390 / 9.91	.410 / 10.41	1.075 / 27.31	.603 / 15.32	1
76200-049	.380 / 9.65	.400 / 10.16	.710 / 18.03	.248 / 6.30	3
76200-049LF	.380 / 9.65	.400 / 10.16	.710 / 18.03	.248 / 6.30	3
76200-050	.308 / 7.82	.328 / 8.33	.450 / 11.43	.060 / 1.52	OBSOLETE
76200-050LF	.308 / 7.82	.328 / 8.33	.450 / 11.43	.060 / 1.52	4
76200-051	.630 / 16.00	.650 / 16.51	1.122 / 28.50	.410 / 10.41	1
76200-051LF	.630 / 16.00	.650 / 16.51	1.122 / 28.50	.410 / 10.41	1
76200-052	.390 / 9.91	.410 / 10.41	1.122 / 28.50	.650 / 16.51	1
76200-052LF	.390 / 9.91	.410 / 10.41	1.122 / 28.50	.650 / 16.51	1

PRODUCT NUMBER NOTE 11	CONTACT AREA DIM A	DIM H	OVERALL LENGTH DIM L	DIM R	PLATING CODE
76200-053	.255 / 6.48	.275 / 6.99	.772 / 19.61	.435 / 11.05	3
76200-053LF	.255 / 6.48	.275 / 6.99	.772 / 19.61	.435 / 11.05	3
76200-054	.255 / 6.48	.275 / 6.99	.642 / 16.31	.305 / 7.75	3
76200-054LF	.255 / 6.48	.275 / 6.99	.642 / 16.31	.305 / 7.75	3
76200-055	.651 / 16.54	.671 / 17.04	.793 / 20.14	.060 / 1.52	1
76200-055LF	.651 / 16.54	.671 / 17.04	.793 / 20.14	.060 / 1.52	1
76200-056	.500 / 12.70	.520 / 13.21	.640 / 16.26	.058 / 1.47	OBSOLETE
76200-056LF	.500 / 12.70	.520 / 13.21	.640 / 16.26	.058 / 1.47	4
76200-057	.250 / 6.35	.270 / 6.86	.572 / 14.53	.240 / 6.10	1
76200-057LF	.250 / 6.35	.270 / 6.86	.572 / 14.53	.240 / 6.10	1
76200-058	.250 / 6.35	.270 / 6.86	.390 / 9.91	.058 / 1.47	1
76200-058LF	.250 / 6.35	.270 / 6.86	.390 / 9.91	.058 / 1.47	1
76200-059	.750 / 19.05	.770 / 19.56	.892 / 22.66	.060 / 1.52	1
76200-059LF	.750 / 19.05	.770 / 19.56	.892 / 22.66	.060 / 1.52	1
76200-060	.380 / 9.65	.400 / 10.16	.880 / 22.35	.418 / 10.62	1
76200-060LF	.380 / 9.65	.400 / 10.16	.880 / 22.35	.418 / 10.62	1
76200-061	.280 / 7.11	.300 / 7.62	.552 / 14.02	.190 / 4.83	1
76200-061LF	.280 / 7.11	.300 / 7.62	.552 / 14.02	.190 / 4.83	1
76200-062	.338 / 8.59	.358 / 9.09	.478 / 12.14	.058 / 1.47	1
76200-062LF	.338 / 8.59	.358 / 9.09	.478 / 12.14	.058 / 1.47	1
76200-063	UNAVAILABLE				
76200-063LF	UNAVAILABLE				
76200-064	.380 / 9.65	.400 / 10.16	.960 / 24.38	.498 / 12.65	OBSOLETE
76200-064LF	.380 / 9.65	.400 / 10.16	.960 / 24.38	.498 / 12.65	4
76200-065	.698 / 17.73	.718 / 18.24	1.000 / 25.40	.225 / 5.72	OBSOLETE
76200-065LF	.698 / 17.73	.718 / 18.24	1.000 / 25.40	.225 / 5.72	4
76200-066	.755 / 19.18	.775 / 19.69	1.260 / 32.00	.420 / 10.67	1
76200-066LF	.755 / 19.18	.775 / 19.69	1.260 / 32.00	.420 / 10.67	1
76200-067	.228 / 5.79	.248 / 6.30	.368 / 9.35	.058 / 1.47	OBSOLETE
76200-067LF	.228 / 5.79	.248 / 6.30	.368 / 9.35	.058 / 1.47	4
76200-068	.250 / 6.35	.270 / 6.86	.650 / 16.51	.318 / 8.08	1
76200-068LF	.250 / 6.35	.270 / 6.86	.650 / 16.51	.318 / 8.08	1

A

A

B

B

mat'l. code SEE NOTE 1		surface ASME Y14.5	tolerance ASME Y14.5	projection 	product family PIN PRODUCTS
ltr	ecr no	dr	date	title	
N				BERGPOST® LOOSE PIECE WITH RETENTION NICKS	
				angles	INCH/MM
				0°±2'	scale 1:1
				dr	sheet 3 of 4 size
				enr	76200
				chr	A4
				appd	type CUSTOMER Drawing
sheet index	revision sheet				



PRODUCT NUMBER NOTE 11	CONTACT AREA DIM A	DIM H	OVERALL LENGTH DIM L	DIM R	PLATING CODE
76200-069	.583 / 14.81	.603 / 15.32	1.075 / 27.31	.410 / 10.41	1
76200-069LF	.583 / 14.81	.603 / 15.32	1.075 / 27.31	.410 / 10.41	1
76200-070	.558 / 14.17	.578 / 14.68	.695 / 17.65	.055 / 1.40	1
76200-070LF	.558 / 14.17	.578 / 14.68	.695 / 17.65	.055 / 1.40	1
76200-071	.390 / 9.91	.410 / 10.41	1.075 / 27.31	.603 / 15.32	1
76200-071LF	.390 / 9.91	.410 / 10.41	1.075 / 27.31	.603 / 15.32	1
76200-072	.240 / 6.10	.260 / 6.60	.732 / 18.59	.410 / 10.41	1
76200-072LF	.240 / 6.10	.260 / 6.60	.732 / 18.59	.410 / 10.41	1
76200-073	.630 / 16.00	.650 / 16.51	1.122 / 28.50	.410 / 10.41	1
76200-073LF	.630 / 16.00	.650 / 16.51	1.122 / 28.50	.410 / 10.41	1
76200-074	.390 / 9.91	.410 / 10.41	1.122 / 28.50	.650 / 16.51	1
76200-074LF	.390 / 9.91	.410 / 10.41	1.122 / 28.50	.650 / 16.51	1
76200-075	.573 / 14.55	.593 / 15.06	.895 / 22.73	.240 / 6.10	OBSOLETE
76200-075LF	.573 / 14.55	.593 / 15.06	.895 / 22.73	.240 / 6.10	4
76200-076	.308 / 7.82	.328 / 8.33	.445 / 11.30	.055 / 1.40	1
76200-076LF	.308 / 7.82	.328 / 8.33	.445 / 11.30	.055 / 1.40	1
76200-077	.558 / 14.17	.578 / 14.68	.695 / 17.65	.055 / 1.40	OBSOLETE
76200-077LF	.558 / 14.17	.578 / 14.68	.695 / 17.65	.055 / 1.40	4
76200-078	.400 / 10.16	.420 / 10.67	.892 / 22.66	.410 / 10.41	1
76200-078LF	.400 / 10.16	.420 / 10.67	.892 / 22.66	.410 / 10.41	1
76200-079	.630 / 16.00	.650 / 16.51	.770 / 19.56	.058 / 1.47	1
76200-079LF	.630 / 16.00	.650 / 16.51	.770 / 19.56	.058 / 1.47	1
76200-080	.583 / 14.81	.603 / 15.32	1.075 / 27.31	.410 / 10.41	9
76200-080LF	.583 / 14.81	.603 / 15.32	1.075 / 27.31	.410 / 10.41	9
76200-081	.558 / 14.17	.578 / 14.68	.700 / 17.78	.060 / 1.52	9
76200-081LF	.558 / 14.17	.578 / 14.68	.700 / 17.78	.060 / 1.52	9
76200-082	.390 / 9.91	.410 / 10.41	1.075 / 27.31	.603 / 15.32	9
76200-082LF	.390 / 9.91	.410 / 10.41	1.075 / 27.31	.603 / 15.32	9
76200-083	.240 / 6.10	.260 / 6.60	.732 / 18.59	.410 / 10.41	9
76200-083LF	.240 / 6.10	.260 / 6.60	.732 / 18.59	.410 / 10.41	9
76200-084	.630 / 16.00	.650 / 16.51	1.122 / 28.50	.410 / 10.41	9
76200-084LF	.630 / 16.00	.650 / 16.51	1.122 / 28.50	.410 / 10.41	9
76200-085	.390 / 9.91	.410 / 10.41	1.122 / 28.50	.650 / 16.51	9
76200-085LF	.390 / 9.91	.410 / 10.41	1.122 / 28.50	.650 / 16.51	9

PRODUCT NUMBER NOTE 11	CONTACT AREA DIM A	DIM H	OVERALL LENGTH DIM L	DIM R	PLATING CODE
76200-086	.308 / 7.82	.328 / 8.33	.450 / 11.43	.060 / 1.52	9
76200-086LF	.308 / 7.82	.328 / 8.33	.450 / 11.43	.060 / 1.52	9
76200-087	.400 / 10.16	.420 / 10.67	.892 / 22.66	.410 / 10.41	9
76200-087LF	.400 / 10.16	.420 / 10.67	.892 / 22.66	.410 / 10.41	9
76200-088	.630 / 16.00	.650 / 16.51	.770 / 19.56	.058 / 1.47	9
76200-088LF	.630 / 16.00	.650 / 16.51	.770 / 19.56	.058 / 1.47	9
76200-089	.630 / 16.00	.650 / 16.51	1.122 / 28.50	.410 / 10.41	OBSOLETE
76200-089LF	.630 / 16.00	.650 / 16.51	1.122 / 28.50	.410 / 10.41	4
76200-090	.636 / 16.15	.650 / 16.51	1.122 / 28.50	.410 / 10.41	3
76200-090LF	.636 / 16.15	.650 / 16.51	1.122 / 28.50	.410 / 10.41	3
76200-091	.573 / 14.55	.593 / 15.06	.895 / 22.73	.240 / 6.10	9
76200-091LF	.573 / 14.55	.593 / 15.06	.895 / 22.73	.240 / 6.10	9
76200-092	.485 / 12.32	.505 / 12.83	.960 / 24.38	.393 / 9.98	1
76200-092LF	.485 / 12.32	.505 / 12.83	.960 / 24.38	.393 / 9.98	1

A

A

B

B

mat'l. code SEE NOTE 1		surface ASME Y14.5 <input checked="" type="checkbox"/> ASME Y14.5		tolerance tolerances unless otherwise specified		projection 		product family PIN PRODUCTS	
ltr	ecr no	dr	date	angles	fin fin	INCH/MM		title BERGPOST® LOOSE PIECE WITH RETENTION NICKS	
N						scale 1:1		dwg no	
						scale 1:1		sheet 4 of 4 size	
						scale 1:1		76200 A4	
						scale 1:1		type CUSTOMER Drawing	
						scale 1:1			
						scale 1:1			
						scale 1:1			
						scale 1:1			
sheet	revision					scale 1:1			
index	sheet					scale 1:1			

Компания «Океан Электроники» предлагает заключение долгосрочных отношений при поставках импортных электронных компонентов на взаимовыгодных условиях!

Наши преимущества:

- Поставка оригинальных импортных электронных компонентов напрямую с производств Америки, Европы и Азии, а так же с крупнейших складов мира;
- Широкая линейка поставок активных и пассивных импортных электронных компонентов (более 30 млн. наименований);
- Поставка сложных, дефицитных, либо снятых с производства позиций;
- Оперативные сроки поставки под заказ (от 5 рабочих дней);
- Экспресс доставка в любую точку России;
- Помощь Конструкторского Отдела и консультации квалифицированных инженеров;
- Техническая поддержка проекта, помощь в подборе аналогов, поставка прототипов;
- Поставка электронных компонентов под контролем ВП;
- Система менеджмента качества сертифицирована по Международному стандарту ISO 9001;
- При необходимости вся продукция военного и аэрокосмического назначения проходит испытания и сертификацию в лаборатории (по согласованию с заказчиком);
- Поставка специализированных компонентов военного и аэрокосмического уровня качества (Xilinx, Altera, Analog Devices, Intersil, Interpoint, Microsemi, Actel, Aeroflex, Peregrine, VPT, Syfer, Eurofarad, Texas Instruments, MS Kennedy, Miteq, Cobham, E2V, MA-COM, Hittite, Mini-Circuits, General Dynamics и др.);

Компания «Океан Электроники» является официальным дистрибьютором и эксклюзивным представителем в России одного из крупнейших производителей разъемов военного и аэрокосмического назначения «JONHON», а так же официальным дистрибьютором и эксклюзивным представителем в России производителя высокотехнологичных и надежных решений для передачи СВЧ сигналов «FORSTAR».



JONHON

«JONHON» (основан в 1970 г.)

Разъемы специального, военного и аэрокосмического назначения:

(Применяются в военной, авиационной, аэрокосмической, морской, железнодорожной, горно- и нефтедобывающей отраслях промышленности)

«FORSTAR» (основан в 1998 г.)

ВЧ соединители, коаксиальные кабели, кабельные сборки и микроволновые компоненты:

(Применяются в телекоммуникациях гражданского и специального назначения, в средствах связи, РЛС, а так же военной, авиационной и аэрокосмической отраслях промышленности).



Телефон: 8 (812) 309-75-97 (многоканальный)

Факс: 8 (812) 320-03-32

Электронная почта: ocean@oceanchips.ru

Web: <http://oceanchips.ru/>

Адрес: 198099, г. Санкт-Петербург, ул. Калинина, д. 2, корп. 4, лит. А