

Features

- Ultra Wideband Performance
- Noise Figure: 1.4 dB @ 8 GHz
- High Gain: 17 dB @ 8 GHz
- Output IP3: 28 dBm @ 8 GHz
- Bias Voltage: $V_{DD} = 5 - 6 V$
- Bias Current: $I_{DSQ} = 60 - 100 mA$
- 50 Ω Matched Input / Output
- Positive Voltage Only
- Die Size: 2.99 x 1.5 x 0.1 mm
- RoHS* Compliant

Description

The MAAL-011141-DIE is an easy to use, wideband low noise distributed amplifier die. It operates from DC to 28 GHz and provides 17 dB of linear gain, 16 dBm of P1dB and 1.4 dB of noise figure at 8 GHz. The input and output are fully matched to 50 Ω with typical return loss >15 dB.

This amplifier employs an active termination circuit to achieve a lower noise figure at the lower end of the frequency range than is possible using traditional resistive termination techniques.

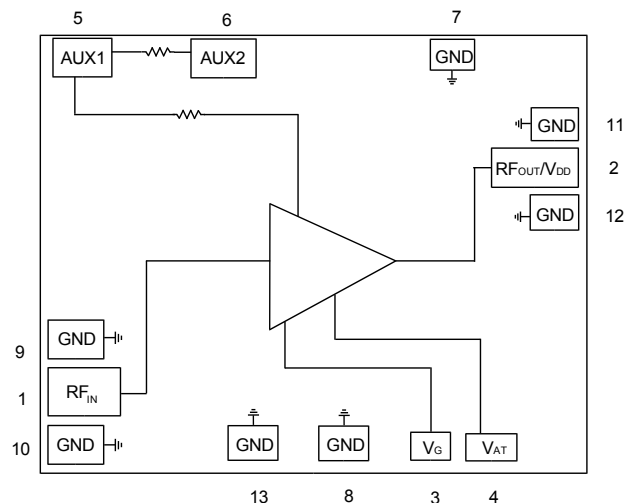
This product is fabricated using a GaAs pHEMT process which features full passivation for enhanced reliability.

The MAAL-011141-DIE can be used as a low noise amplifier stage or as a driver stage in higher power applications. This device is ideally suited for Test and Measurement, EW, ECM, and Radar applications.

Ordering Information

Part Number	Package
MAAL-011141-DIE	gel pack
MAAL-011141-DIESMB	wafer evaluation module

Functional Schematic¹



1. Image not to scale.

Pin Configuration²

Pin #	Pin Name	Description
1	RF _{IN}	RF Input
2	RF _{OUT} / V _{DD}	RF Output / Drain Voltage
3	V _G	Gate Voltage
4	V _{AT}	Active Termination Voltage
5	AUX1	Auxiliary Drain Voltage 1
6	AUX2	Auxiliary Drain Voltage 2
7-13	GND	DC + RF Ground to Backside Via

2. Backside of die must be connected to RF, DC and thermal ground.

* Restrictions on Hazardous Substances, compliant to current RoHS EU directive.

Electrical Specifications: $T_A = +25^\circ\text{C}$, $V_{DD} = 6\text{ V}$, $I_{DSQ} = 75\text{ mA}$, $V_{AT} = 5\text{ V}$, $Z_0 = 50\ \Omega$

Parameter	Test Conditions	Units	Min.	Typ.	Max.
Gain	$P_{IN} = -20\text{ dBm}$	dB	16.5	18.5	—
	2.0 GHz				
	8.0 GHz				
	12.0 GHz				
	18.0 GHz				
26.5 GHz					
Output P1dB	2.0 GHz	dBm	—	17.0	—
	8.0 GHz			16.0	
	12.0 GHz			16.0	
	18.0 GHz			15.0	
	26.5 GHz			12.5	
OIP3	$P_{IN} = -20\text{ dBm}$ / tone, 10 MHz Tone Spacing	dBm	—	29.5	—
	2.0 GHz			28.0	
	8.0 GHz			26.5	
	12.0 GHz			26.0	
	18.0 GHz			22.5	
26.5 GHz					
Input Return Loss	$P_{IN} = -20\text{ dBm}$	dB	—	15	—
Output Return Loss	$P_{IN} = -20\text{ dBm}$	dB	—	15	—
Noise Figure	2.0 GHz	dB	—	2.5	3.0
	8.0 GHz			1.4	—
	12.0 GHz			1.6	2.2
	18.0 GHz			2.4	—
	26.5 GHz			4.0	—
Isolation	$P_{IN} = -20\text{ dBm}$	dB	—	60	—
	2.0 GHz			40	
	8.0 GHz			37	
	12.0 GHz			33	
	18.0 GHz			32	
26.5 GHz					
V_G	Adjusted to set $I_{DSQ} = 75\text{ mA}$	V	—	0.7	—
I_{AT}	$V_{AT} = 5\text{ V}$	mA	—	10	—

Operating Conditions

Recommended biasing conditions are $V_{DD} = 6\text{ V}$, $I_{DSQ} = 75\text{ mA}$. Bias of 5 V must be applied to V_{AT} pin. I_{DSQ} is set by adjusting V_G after setting V_{DD} and V_{AT} . The drain bias voltage range, V_{DD} , is 5 to 6 V, and the quiescent drain current biasing is 60 to 100 mA. To maintain the best performance MACOM recommends using an active bias circuit for constant I_{DD} .

There are three possible bias methods:

1. The use of an external bias tee where the required V_{DD} is applied at RF_{OUT}/V_{DD} and V_G is set to provide a current bias (I_{DSQ}) of 60 to 100 mA. This provides wide band performance of DC - 28 GHz (depending on the bandwidth of the bias tee).
2. The direct application of V_{DD} to AUX1. Using this method provides for an operational frequency of 2 - 28 GHz. However, a voltage drop across an internal $17\ \Omega$ resistance must be accounted for. For example, with $I_{DSQ} = 75\text{ mA}$, 7.3 V must be applied at AUX1 for a V_{DD} of 6 V.
3. The direct application of V_{DD} to AUX2. Using this method provides for an operational frequency of DC - 28 GHz. However, a voltage drop across series $17\ \Omega$ and $32\ \Omega$ resistors must be accounted for. For example, with $I_{DSQ} = 75\text{ mA}$, 9.67 V must be applied at AUX2 for a V_{DD} of 6 V.

In all cases DC blocking is required on the RF input. Additionally options 2 or 3 require DC blocking on the RF output line. It should also be noted that when using the internal bias circuit (option 2 or 3) I_{DSQ} is limited to a maximum of 80 mA.

Regardless of bias method used, 2 bypass capacitors of 100 pF and 0.1 μF should be connected to AUX2. This provides for increased device stability margins and improved gain flatness below 2 GHz when required. The 100 pF cap is a single layer chip capacitor and should be positioned as close to the device as possible. The 0.1 μF SMT cap can be placed further away on the PCB.

The available evaluation board is configured for bias option 3 using AUX2 for the supply of V_{DD} .

Maximum Operating Conditions

Parameter	Operating Maximum
Input Power ³	$P_{IN} \leq 1\text{ dB compression level}$
Junction Temperature ⁴	+150°C
Operating Temperature	-40°C to +85°C

3. MACOM does not recommend sustained operation at power levels above 1 dB gain compression.
4. Operating at nominal conditions with junction temperature $\leq +150^\circ\text{C}$ will ensure MTTF $> 1 \times 10^6$ hours.

Absolute Maximum Ratings^{5,6}

Parameter	Absolute Maximum
Input Power	18 dBm
Drain Voltage	7 V
Gate Voltage	0.9 V
Active Termination Voltage	6 V
AUX1 Current	80 mA
AUX2 Current	80 mA
Junction Temperature ⁷	+175°C
Storage Temperature	-65°C to +125°C

5. Exceeding any one or combination of these limits may cause permanent damage to this device.
6. MACOM does not recommend sustained operation near these survivability limits.
7. Junction temperature directly effects device MTTF, and should be kept as low as possible to maximize product lifetime.

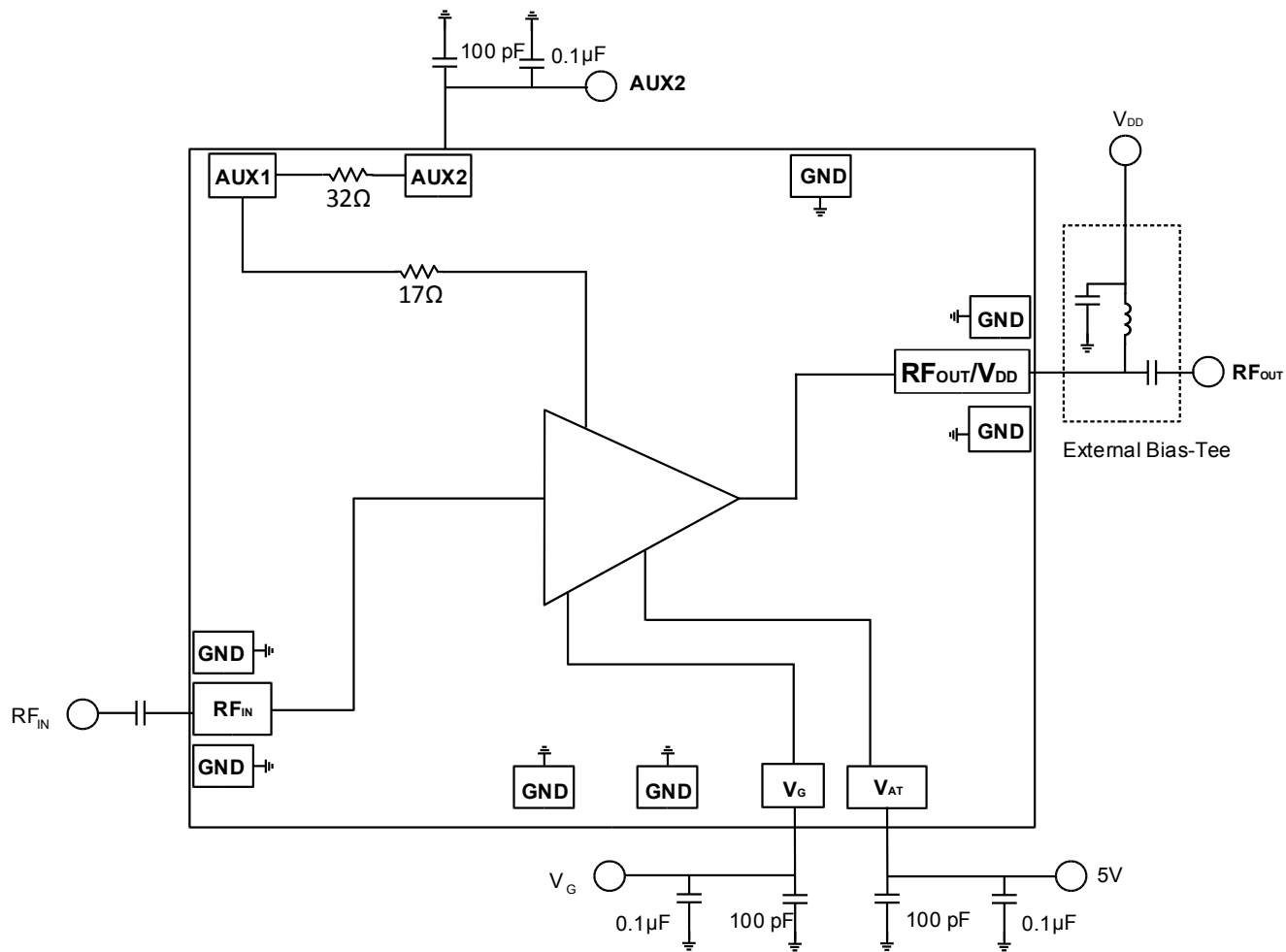
Handling Procedures

Please observe the following precautions to avoid damage:

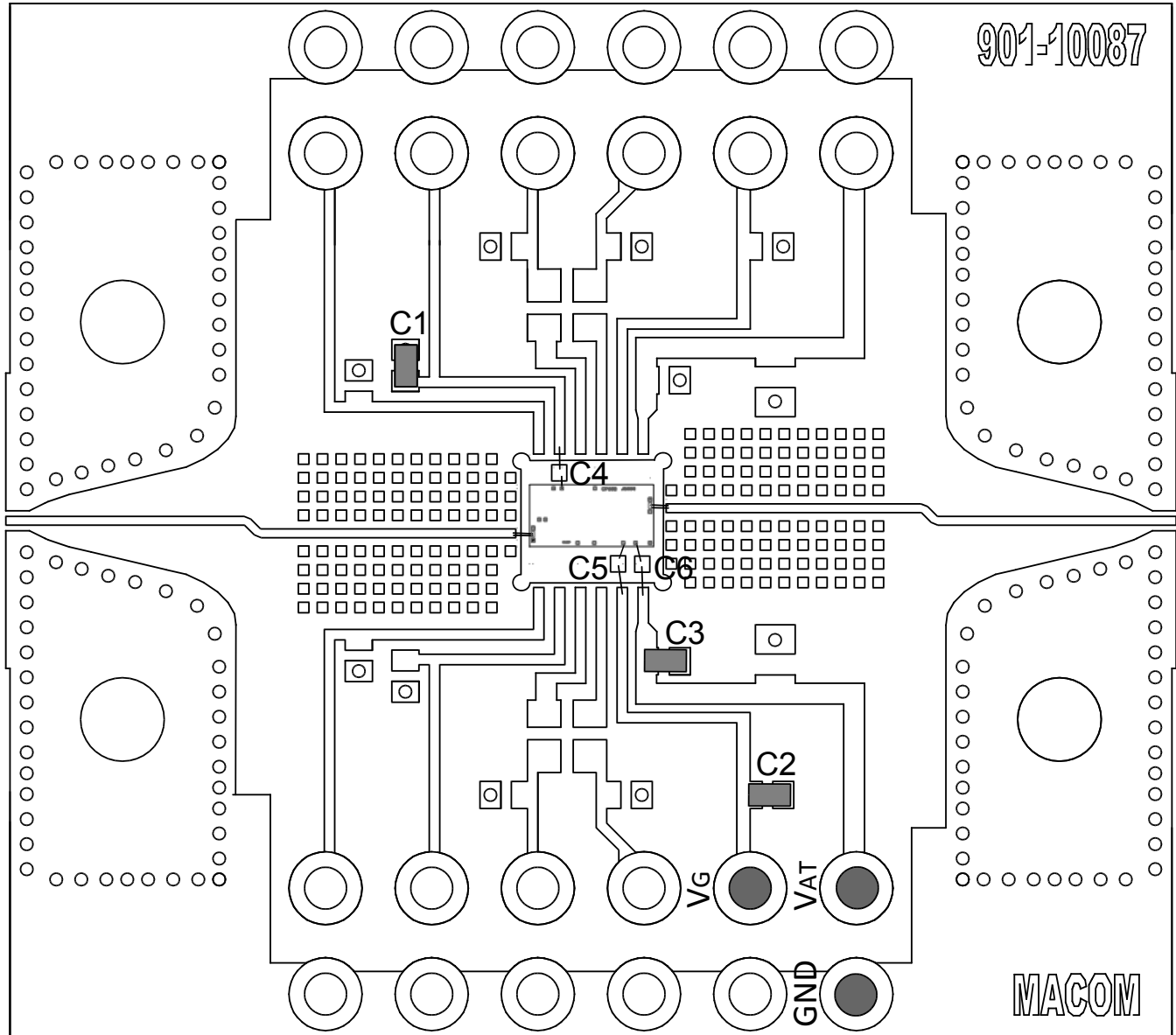
Static Sensitivity

These electronic devices are sensitive to electrostatic discharge (ESD) and can be damaged by static electricity. Proper ESD control techniques should be used when handling these HBM Class 1A devices.

Application Schematic



Applications Section: Sample Board Layout



Parts List

Part	Value	Case Style
C1 - C3	0.1 μ F	0402
C4 - C6	100 pF	Single Layer

Evaluation PCB Specifications

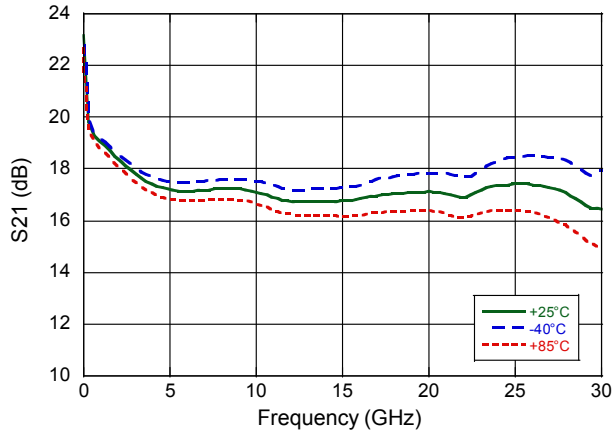
Top Layer: 1/2 oz Copper Cladding, 0.017 mm thickness
 Dielectric Layer: Rogers RO4350B 0.101 mm thickness
 Bottom Layer: 1/2 oz Copper Cladding, 0.017 mm thickness
 Finished overall thickness: 0.135 mm

Low Noise Amplifier DC - 28 GHz

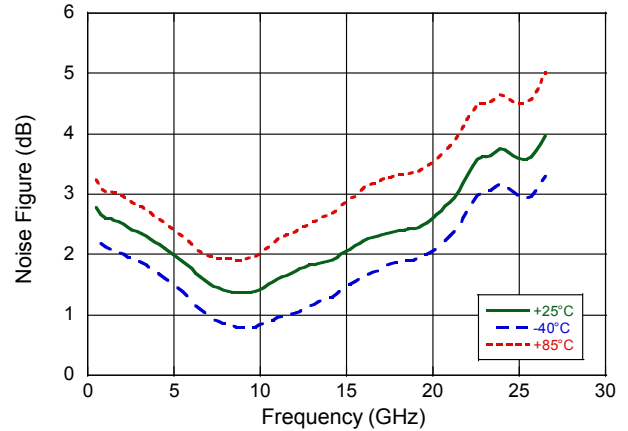
Rev. V3

Typical Performance Curves: $V_{DD} = 6\text{ V}$, $I_{DSQ} = 75\text{ mA}$, $V_{AT} = 5\text{ V}$

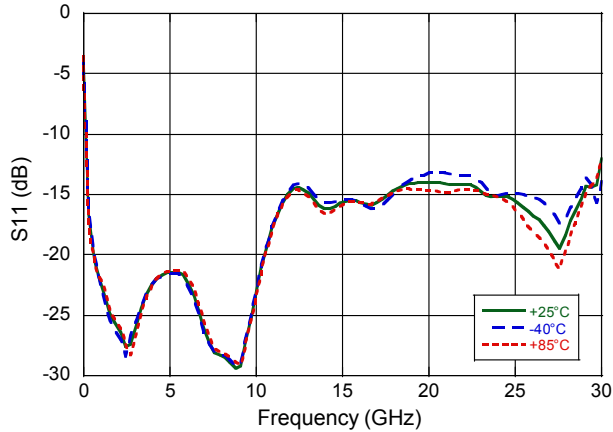
Gain



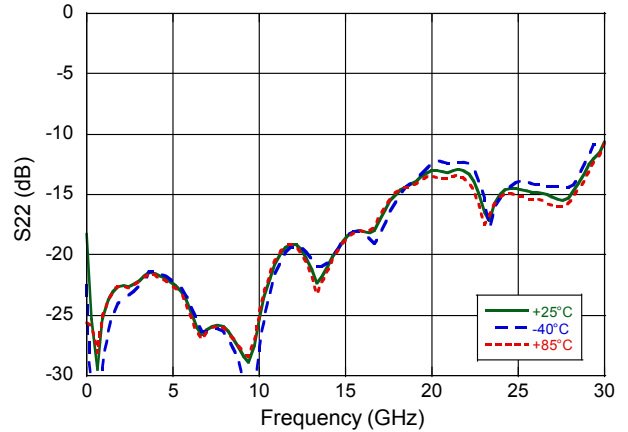
Noise Figure



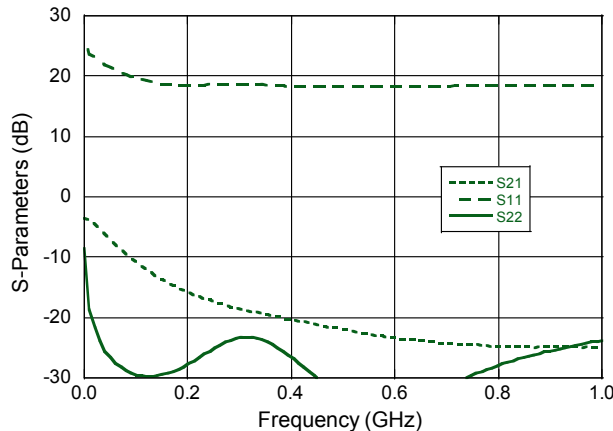
Input Return loss



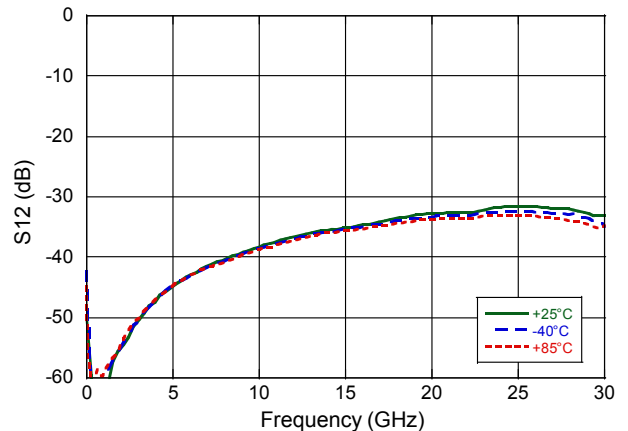
Output Return Loss



Low Frequency S-Parameters

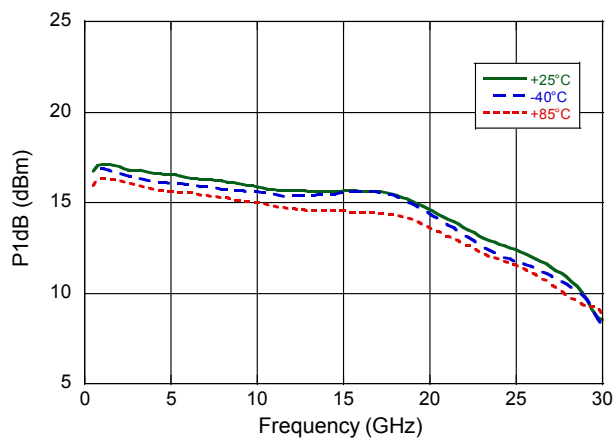


Reverse Isolation

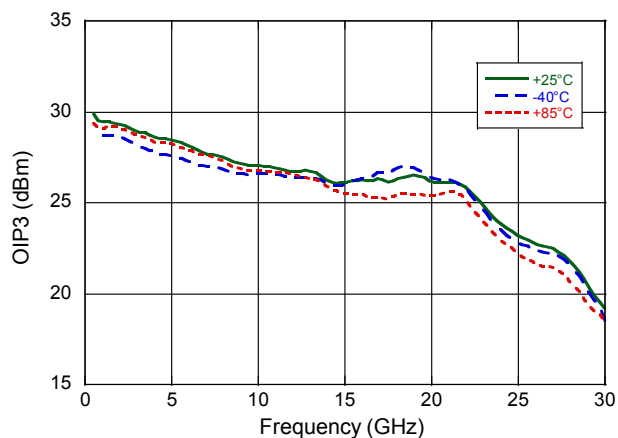


Typical Performance Curves: $V_{DD} = 6\text{ V}$, $I_{DSQ} = 75\text{ mA}$, $V_{AT} = 5\text{ V}$

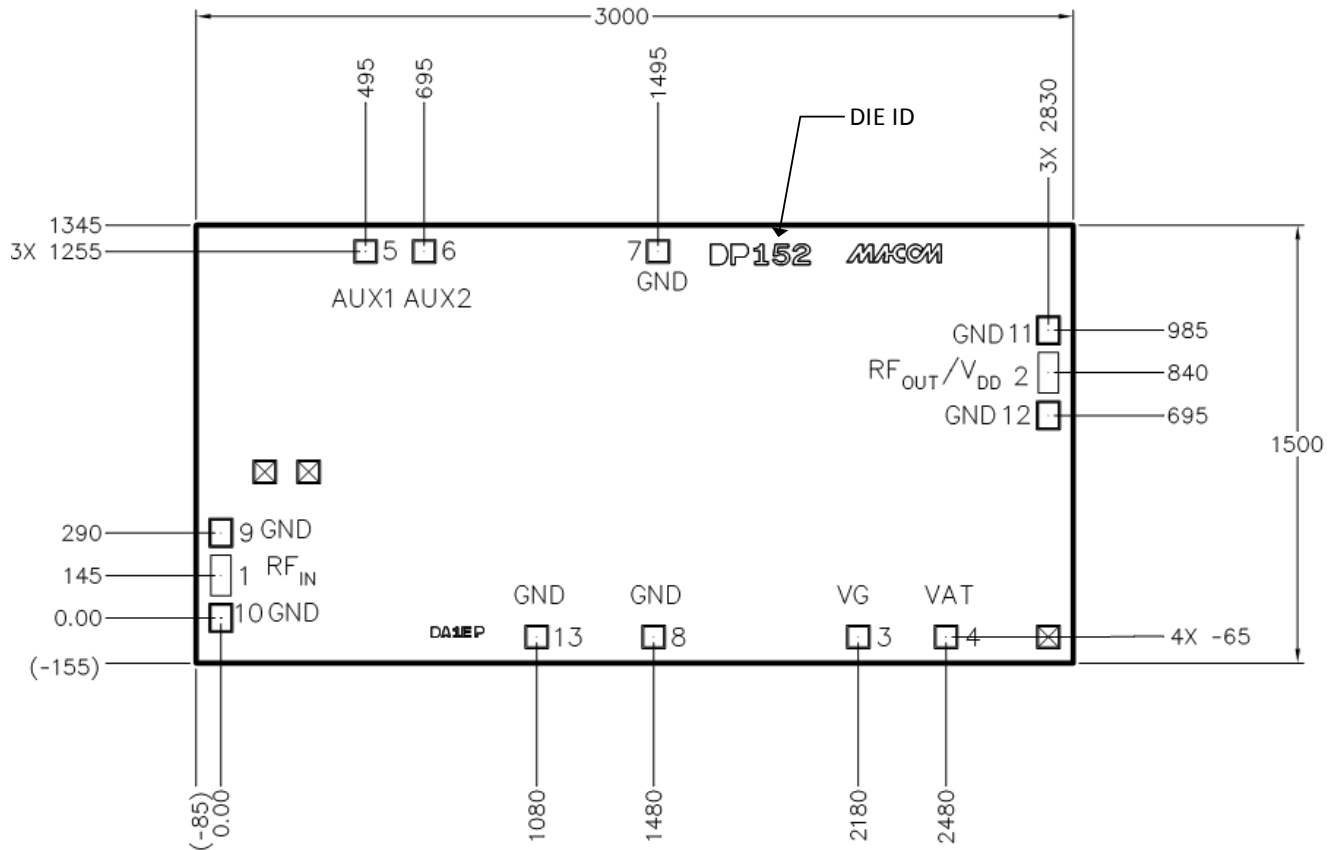
Output P1dB



Output IP3 (10 MHz tone spacing)



MMIC Die Outline



Bond Pad Detail^{8,9}

Pin #	Size (x)	Size (y)
1 - 2	70	140
9 - 12	70	90
3 - 8, 13	70	70

8. All dimensions shown as microns (μm) with a tolerance of $\pm 5 \mu\text{m}$, unless otherwise noted.

9. Die thickness is $100 \mu\text{m} \pm 10 \mu\text{m}$.

MACOM Technology Solutions Inc. All rights reserved.

Information in this document is provided in connection with MACOM Technology Solutions Inc ("MACOM") products. These materials are provided by MACOM as a service to its customers and may be used for informational purposes only. Except as provided in MACOM's Terms and Conditions of Sale for such products or in any separate agreement related to this document, MACOM assumes no liability whatsoever. MACOM assumes no responsibility for errors or omissions in these materials. MACOM may make changes to specifications and product descriptions at any time, without notice. MACOM makes no commitment to update the information and shall have no responsibility whatsoever for conflicts or incompatibilities arising from future changes to its specifications and product descriptions. No license, express or implied, by estoppels or otherwise, to any intellectual property rights is granted by this document.

THESE MATERIALS ARE PROVIDED "AS IS" WITHOUT WARRANTY OF ANY KIND, EITHER EXPRESS OR IMPLIED, RELATING TO SALE AND/OR USE OF MACOM PRODUCTS INCLUDING LIABILITY OR WARRANTIES RELATING TO FITNESS FOR A PARTICULAR PURPOSE, CONSEQUENTIAL OR INCIDENTAL DAMAGES, MERCHANTABILITY, OR INFRINGEMENT OF ANY PATENT, COPYRIGHT OR OTHER INTELLECTUAL PROPERTY RIGHT. MACOM FURTHER DOES NOT WARRANT THE ACCURACY OR COMPLETENESS OF THE INFORMATION, TEXT, GRAPHICS OR OTHER ITEMS CONTAINED WITHIN THESE MATERIALS. MACOM SHALL NOT BE LIABLE FOR ANY SPECIAL, INDIRECT, INCIDENTAL, OR CONSEQUENTIAL DAMAGES, INCLUDING WITHOUT LIMITATION, LOST REVENUES OR LOST PROFITS, WHICH MAY RESULT FROM THE USE OF THESE MATERIALS.

MACOM products are not intended for use in medical, lifesaving or life sustaining applications. MACOM customers using or selling MACOM products for use in such applications do so at their own risk and agree to fully indemnify MACOM for any damages resulting from such improper use or sale.

Компания «Океан Электроники» предлагает заключение долгосрочных отношений при поставках импортных электронных компонентов на взаимовыгодных условиях!

Наши преимущества:

- Поставка оригинальных импортных электронных компонентов напрямую с производств Америки, Европы и Азии, а так же с крупнейших складов мира;
- Широкая линейка поставок активных и пассивных импортных электронных компонентов (более 30 млн. наименований);
- Поставка сложных, дефицитных, либо снятых с производства позиций;
- Оперативные сроки поставки под заказ (от 5 рабочих дней);
- Экспресс доставка в любую точку России;
- Помощь Конструкторского Отдела и консультации квалифицированных инженеров;
- Техническая поддержка проекта, помощь в подборе аналогов, поставка прототипов;
- Поставка электронных компонентов под контролем ВП;
- Система менеджмента качества сертифицирована по Международному стандарту ISO 9001;
- При необходимости вся продукция военного и аэрокосмического назначения проходит испытания и сертификацию в лаборатории (по согласованию с заказчиком);
- Поставка специализированных компонентов военного и аэрокосмического уровня качества (Xilinx, Altera, Analog Devices, Intersil, Interpoint, Microsemi, Actel, Aeroflex, Peregrine, VPT, Syfer, Eurofarad, Texas Instruments, MS Kennedy, Miteq, Cobham, E2V, MA-COM, Hittite, Mini-Circuits, General Dynamics и др.);

Компания «Океан Электроники» является официальным дистрибьютором и эксклюзивным представителем в России одного из крупнейших производителей разъемов военного и аэрокосмического назначения «JONHON», а так же официальным дистрибьютором и эксклюзивным представителем в России производителя высокотехнологичных и надежных решений для передачи СВЧ сигналов «FORSTAR».



JONHON

«JONHON» (основан в 1970 г.)

Разъемы специального, военного и аэрокосмического назначения:

(Применяются в военной, авиационной, аэрокосмической, морской, железнодорожной, горно- и нефтедобывающей отраслях промышленности)

«FORSTAR» (основан в 1998 г.)

ВЧ соединители, коаксиальные кабели,
кабельные сборки и микроволновые компоненты:

(Применяются в телекоммуникациях гражданского и специального назначения, в средствах связи, РЛС, а так же военной, авиационной и аэрокосмической отраслях промышленности).



Телефон: 8 (812) 309-75-97 (многоканальный)

Факс: 8 (812) 320-03-32

Электронная почта: ocean@oceanchips.ru

Web: <http://oceanchips.ru/>

Адрес: 198099, г. Санкт-Петербург, ул. Калинина, д. 2, корп. 4, лит. А