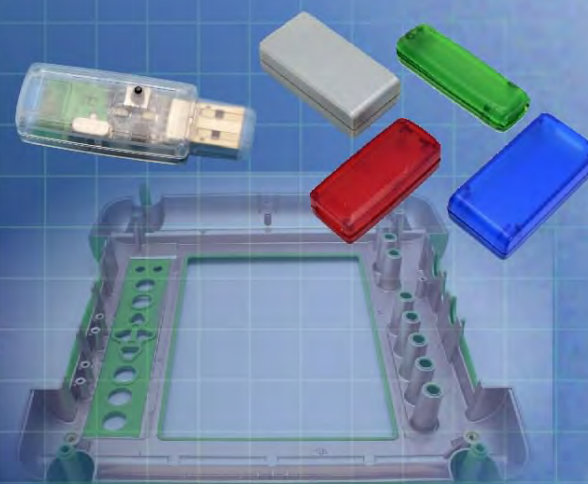


Ordering a market-ready enclosure® is made fast and affordable with our complete in-house capabilities. New Age provides machined openings to fit your PCB, pad printing for your graphics, custom enclosures, custom colors, final assembly, testing and fulfillment services to save you additional time and money. Ask your representative for a free quote today 805-595-1310.

Fast and Affordable Customization

**CNC Modifications
Pad Printing
Colored Resins
EMI/RF Shielding
Custom Enclosure
Assembly & Testing**



ISO quality
off-the-shelf
to market-ready®

NEW AGE ENCLOSURES

www.NewAgeEnclosures.com

4330 Santa Fe Road • San Luis Obispo, CA 93401 • T 805.595.1310 • F 805.595.1024

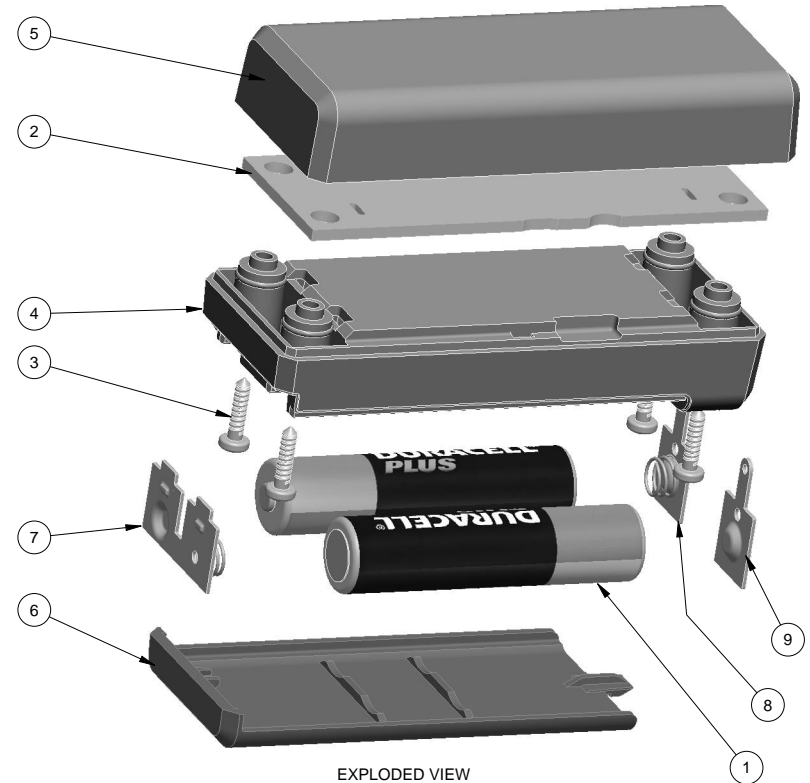
NOTES: UNLESS OTHERWISE SPECIFIED

1. CORNERS DRAWN SHARP TO BE R.005 MAXIMUM.
2. EXTERIOR SURFACE TEXTURE TO BE LIGHT EDM FINISH. EQUIVELANT TO MT-11020.
3. INTERIOR SURFACE TEXTURE TO BE: NONE
4. ALL INSIDE RADII .010R. ALL OUTSIDE RADII .020R MAX, UNLESS OTHERWISE SPECIFIED.
5. ALL EXTERNAL DIMENSIONS AFFECTED BY THE DRAFT APPLY AT THE LARGE END OF THE FEATURE, AND ALL INTERNAL FEATURES AFFECTED BY THE DRAFT APPLY AT THE SMALL END OF THE FEATURE UNLESS OTHERWISE SPECIFIED.
6. 1 DEGREE DRAFT IN THE DIRECTION OF PULL IS PERMISSIBLE UNLESS OTHERWISE SPECIFIED.
7. MATERIAL / COLOR: ABS PLASTIC IS STANDARD IN BLACK OR WHITE. CUSTOM MATERIALS AND COLORS ARE AVAILABLE UPON REQUEST FOR QUOTE.
8. PCB SIZES ARE RECOMMENDATIONS ONLY. FINAL SIZES AND VERIFICATION OF IT'S FIT ARE THE SOLE RESPONSIBILITY OF EACH OWNER.
9. ASSEMBLY SCREWS FOR THE ENCLOSURE ARE PROVIDED. MOUNTING SCREWS FOR PCB AND BATTERY CONTACTS SOLD SEPERATELY.
10. THIS DRAWING IS BASED ON A SOLID MODEL, AND IS FURTHER DEFINED BY THE SOLID MODEL FILE.
11. ALLOWABLE FLASH: 0.010 MAX.
12. ALL EJECTOR PIN MARKS TO BE WITHIN 0.010" OF FLUSH, PROTRUDING OR BELOW FLUSH.



SCALE 1.000

R E V I S I O N					
REV.	DRAWN BY	ECO No	DESCRIPTION	DATE	APPROVED
A-G	M BOYER		PRELIMINARY THROUGH CONCEPT - SEE REV G	14-Jun-12	D.C.
1.0	M BOYER		RELEASED TO MFG PER CUSTOMER	27-Nov-12	



EXPLODED VIEW
SCALE 1.000

ITEM	FILE NAME	DESCRIPTION	MATERIAL	COLOR	QTY.
9	AAA-SINGL-CONTACT-POS	ACC-AAAPOS-5226	SPRING STEEL		1
8	AAA-SINGL-CONTACT-NEG	ACC-AAANEG-5204	SPRING STEEL		1
7	AAA-DBL-CONTACT	ACC-AAADBL-5214L	SPRING STEEL		1
6	281109_HATCH	281109 HATCH - STANDARD	ABS	BLACK or WHITE	1
5	281109_COVER	281109 COVER - STANDARD	ABS	BLACK or WHITE	1
4	281109_BASE	281109 BASE - STANDARD	ABS	BLACK or WHITE	1
3	NO_2_HI-LO_SCREW	No2 HI-LO x .375"	STEEL	3/8" LONG	4
2	281109_PCB	REFERENCE ONLY	CUSTOMER SUPPLIED	.062" THICK	1
1	AAA-BATTERY	REFERENCE ONLY	CUSTOMER SUPPLIED	"AAA" SIZE	2

BILL OF MATERIALS

THIRD ANGLE PROJECTION
DO NOT SCALE DRAWING

NOTICE: THE INFORMATION AND DATA CONTAINED HEREIN IS CONSIDERED PROPRIETARY TO ALLTEC INTEGRATED MFG INC & SHALL REMAIN THE EXCLUSIVE PROPERTY OF ALLTEC INTEGRATED MFG INC. THE HOLDER WILL ASSUME CUSTODY AND CONTROL THAT THIS DOCUMENT WILL NOT BE COPIED, REPRODUCED, OR DISCLOSED WITHOUT THE EXPRESS WRITTEN CONSENT OF ALLTEC INTEGRATED MFG INC. POSSESSION OF THIS DOCUMENT DOES NOT CONSTITUTE A GRANT TO MANUFACTURE ANY ITEMS.
© 2012

TOLERANCES: UNLESS OTHERWISE SPECIFIED DIMENSIONS ARE IN U.S. INCHES.
X.XX = .015 X.XXXX = .001
X.XXX = .010 X.X° = 1°

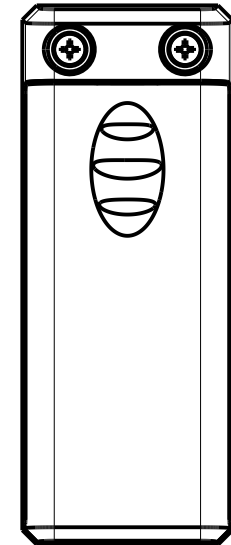
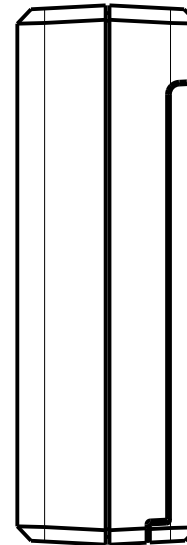
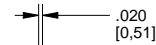
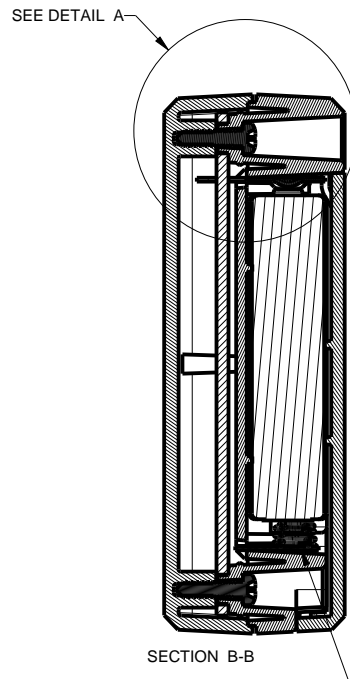
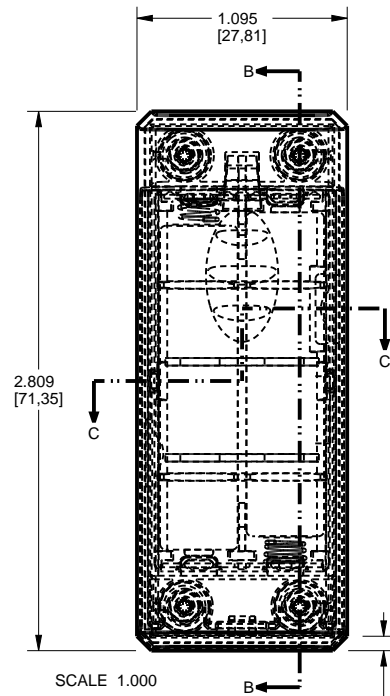
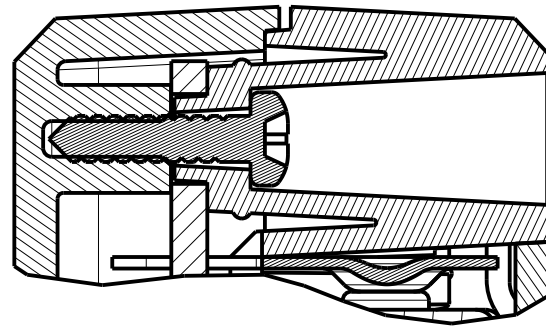
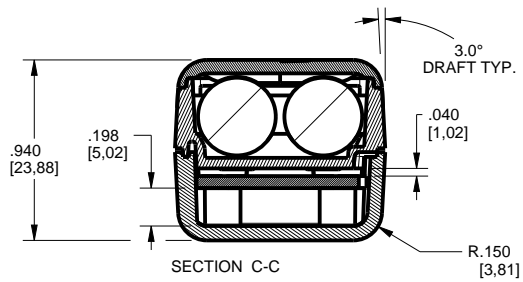
NEW AGE ENCLOSURES
Customer's Part No: 281109

APPROVAL	BY	DATE
ENG.		
QUALITY		
SCALE	AS NOTED	
DRAWN BY	M BOYER	
	15-Jun-12	

NEW AGE ENCLOSURES
4330 Santa Fe Road San Luis Obispo, CA. 93401
ph. (805) 595-1310 fax (805) 595-1024
www.newageenclosures.com

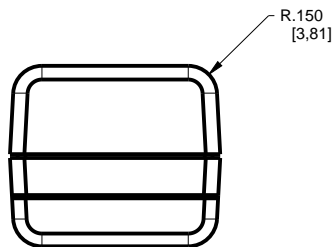
STANDARD - COMPACT AAA SXX-281109 ASSEMBLY

SIZE	DRAWING NAME	SHEET	REV.DOC
A	281109_R1_0	1 OF 7	1.0



.075 x 45° CHAMFER [1,91]

DOUBLE BATTERY CONTACT (BRIDGE) SHOULD BE INSTALLED ON THIS END OF THE ENCLOSURE.



TOLERANCES: UNLESS OTHERWISE SPECIFIED
DIMENSIONS ARE IN U.S. INCHES.
X.XX = .015 X.XXXX = .001
X.XXX = .010 X.X° = 1°

Customer's Part No: 281109

APPROVAL	BY	DATE
CHECK		
ENG.		
SCALE	AS NOTED	

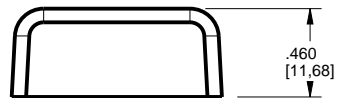
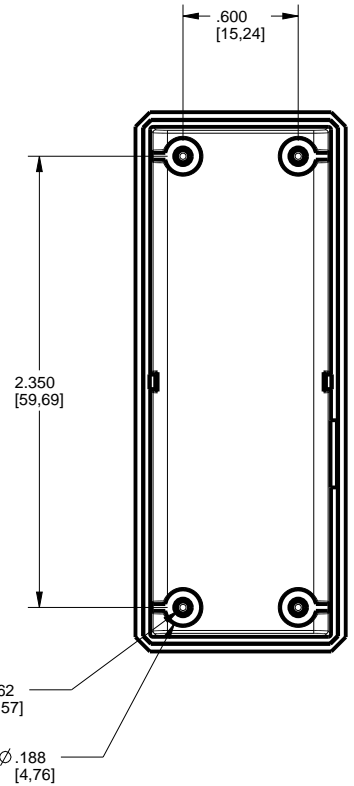
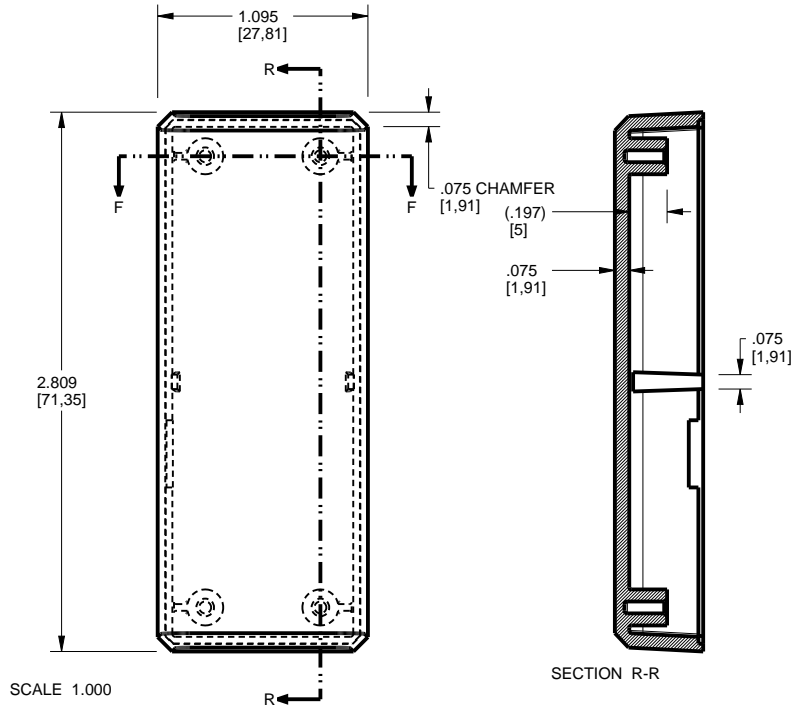
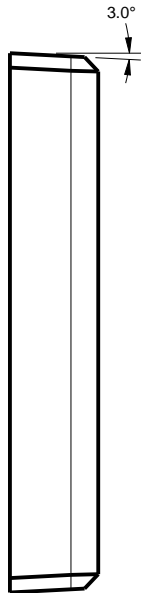
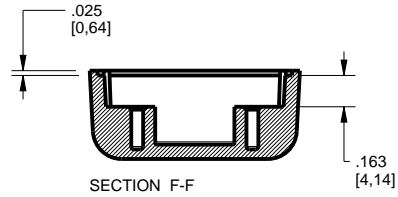
DRAWN BY
M BOYER 15-Jun-12

NEW AGE ENCLOSURES
4330 Santa Fe Road San Luis Obispo, CA. 93401
ph. (805) 595-1310 fax (805) 595-1024
www.newageenclosures.com

**STANDARD - COMPACT AAA
SXX-281109 ASSEMBLY**

SIZE A	DRAWING NAME 281109_R1_0	SHEET 2 OF 7	REV.DOC 1.0
-----------	-----------------------------	-----------------	----------------

281109 COVER



TOLERANCES: UNLESS OTHERWISE SPECIFIED
DIMENSIONS ARE IN U.S. INCHES.
X.XX = .015 X.XXXX = .001
X.XXX = .010 X.X° = 1°

NEW AGE ENCLOSURES
Customer's Part No: 281109

APPROVAL	BY	DATE
CHECK		
ENG.		
SCALE	AS NOTED	

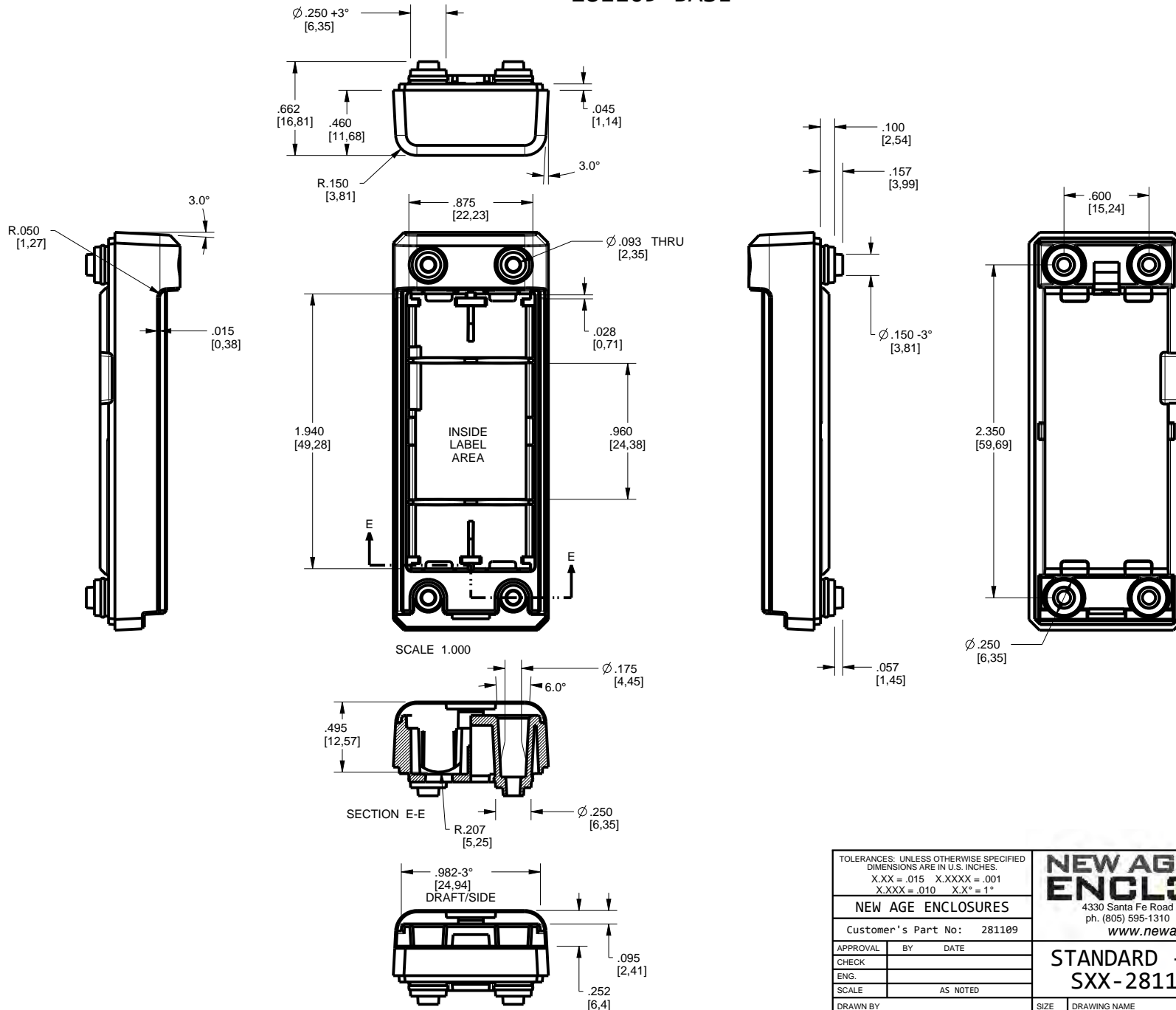
DRAWN BY	15-Jun-12
M BOYER	

NEW AGE ENCLOSURES
4330 Santa Fe Road San Luis Obispo, CA. 93401
ph. (805) 595-1310 fax (805) 595-1024
www.newageenclosures.com

**STANDARD - COMPACT AAA
SXX-281109 ASSEMBLY**

SIZE	DRAWING NAME	SHEET	REV.DOC
A	281109_R1_0	3 OF 7	1.0

281109 BASE



TOLERANCES: UNLESS OTHERWISE SPECIFIED DIMENSIONS ARE IN U.S. INCHES.

X.XX = .015 X.XXXX = .001
X.XXX = .010 X.X° = 1°

NEW AGE ENCLOSURES

Customer's Part No: 281109

APPROVAL BY DATE

CHECK

ENG.

SCALE AS NOTED

DRAWN BY M BOYER

15-Jun-12

NEW AGE ENCLOSURES

4330 Santa Fe Road San Luis Obispo, CA. 93401
ph. (805) 595-1310 fax (805) 595-1024

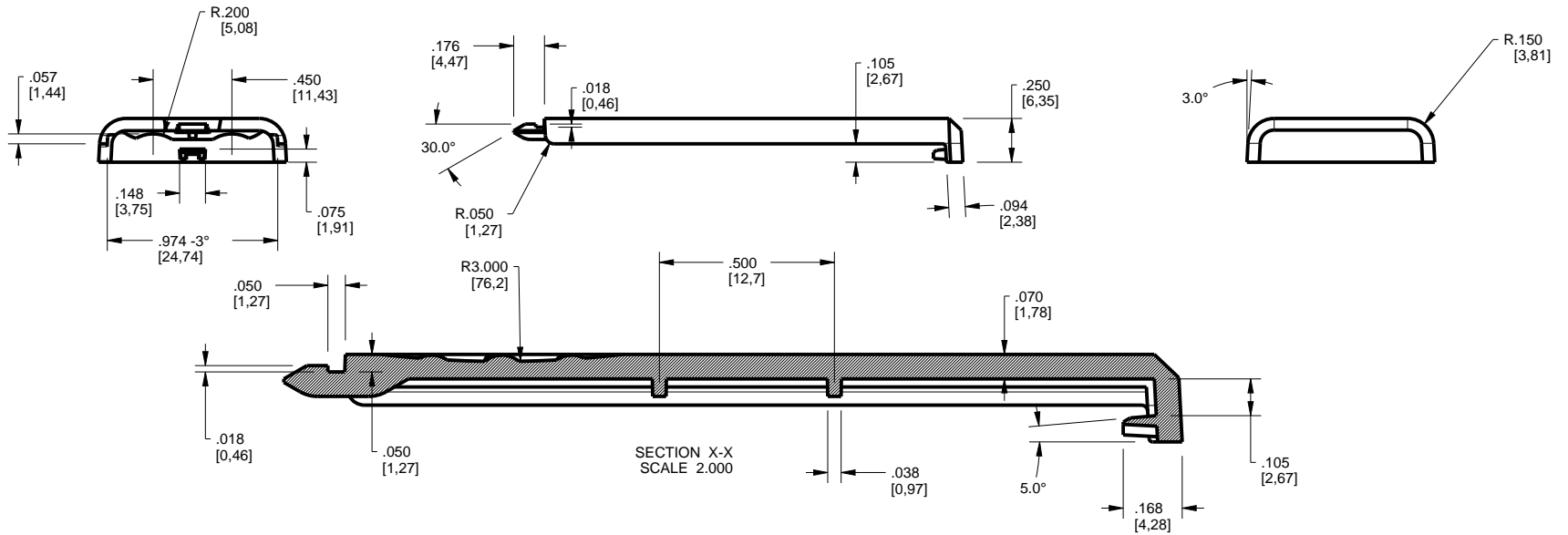
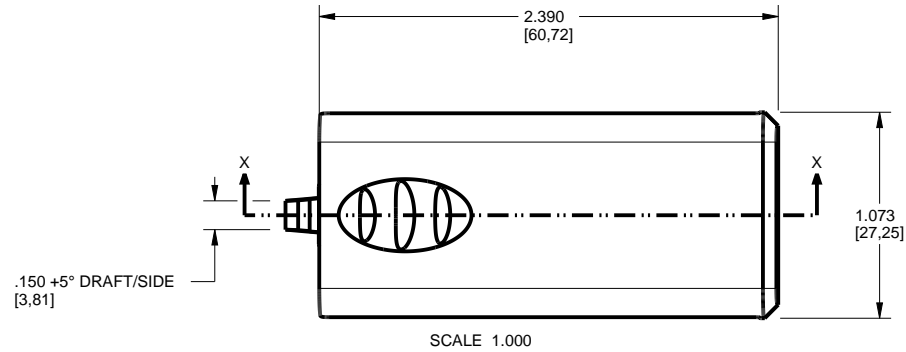
www.newageenclosures.com

STANDARD - COMPACT AAA SXX-281109 ASSEMBLY

SIZE A DRAWING NAME 281109_R1_0

SHEET 4 OF 7 REV.DOC 1.0

281109 HATCH



TOLERANCES: UNLESS OTHERWISE SPECIFIED
DIMENSIONS ARE IN U.S. INCHES.
X.XX = .015 X.XXXX = .001
X.XXX = .010 X.X° = 1°

NEW AGE ENCLOSURES

Customer's Part No: 281109

APPROVAL	BY	DATE
CHECK		
ENG.		
SCALE	AS NOTED	

DRAWN BY	15-Jun-12
M BOYER	

NEW AGE ENCLOSURES

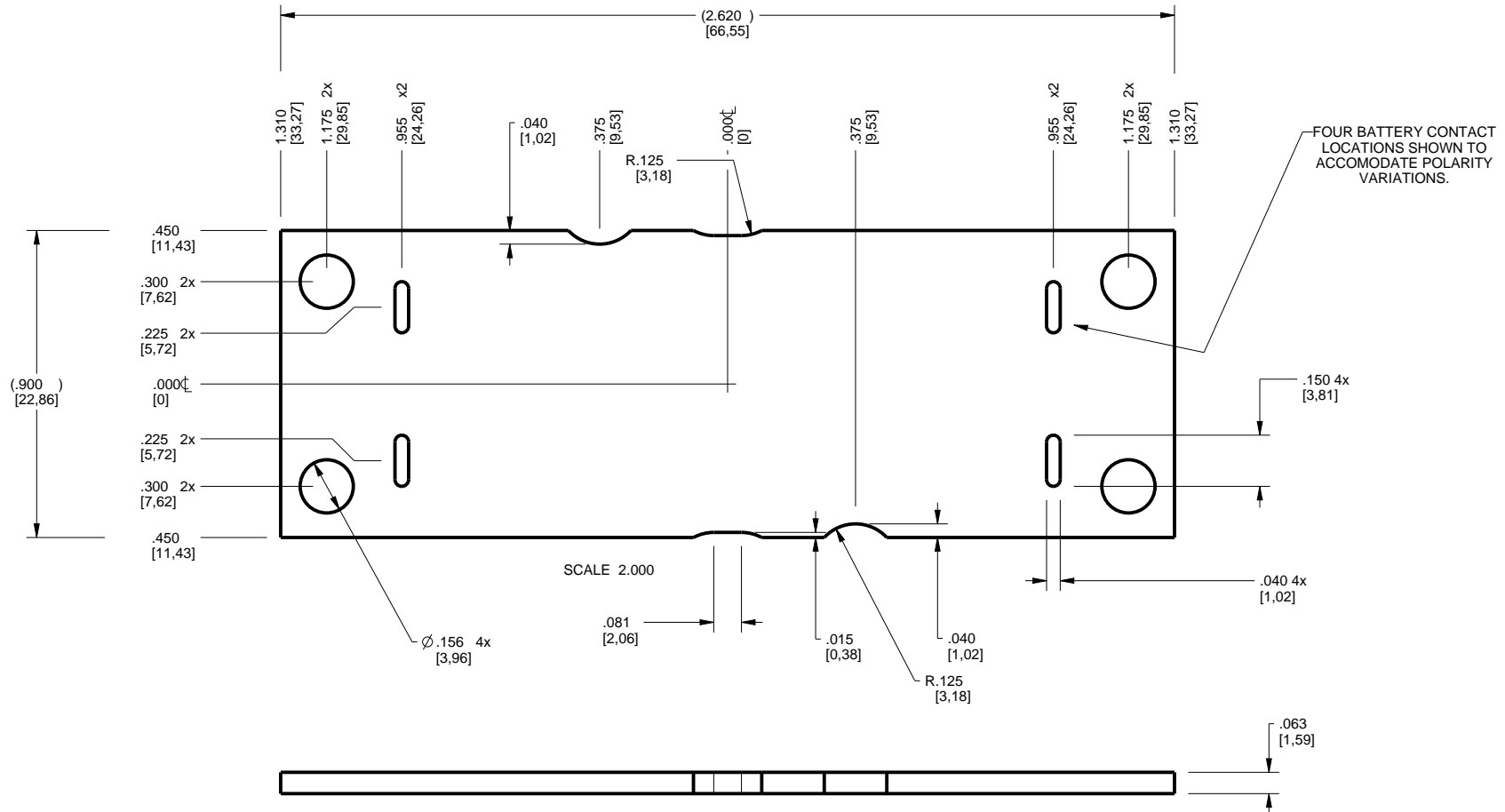
4330 Santa Fe Road San Luis Obispo, CA. 93401
ph. (805) 595-1310 fax (805) 595-1024
www.newageenclosures.com

STANDARD - COMPACT AAA
SXX-281109 ASSEMBLY

SIZE	DRAWING NAME	SHEET	REV.DOC
A	281109_R1_0	5 OF 7	1.0

281109 PCB - CUSTOMER SUPPLIED

PCB SIZES ARE RECOMMENDATIONS ONLY. FINAL SIZES AND VERIFICATION OF IT'S FIT ARE THE SOLE RESPONSIBILITY OF THE OEM.

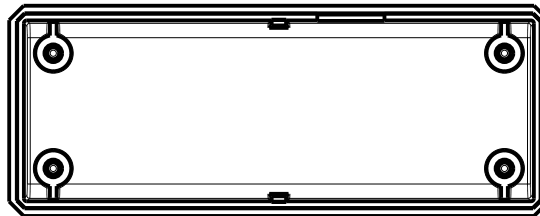
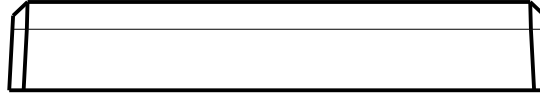
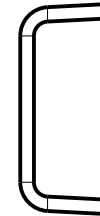
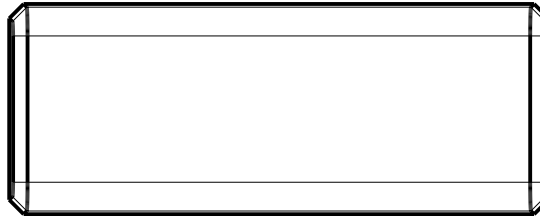
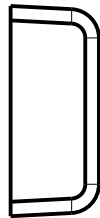


NOTE
1. BATTERY CONNECTION POINTS SHOWN AT BOTH ENDS TO ALLOW ALTERNATE ASSEMBLY OPTION.

TOLERANCES - UNLESS OTHERWISE SPECIFIED DIMENSIONS ARE IN U.S. INCHES. X.XX = .015 X.XXXX = .001 X.XXX = .010 X.X° = 1°		NEW AGE ENCLOSURES 4330 Santa Fe Road San Luis Obispo, CA. 93401 ph. (805) 595-1310 fax (805) 595-1024 www.newageenclosures.com	
Customer's Part No: 281109			
APPROVAL	BY	DATE	STANDARD - COMPACT AAA SXX-281109 ASSEMBLY
CHECK			
ENG.			
SCALE	AS NOTED		
DRAWN BY	M BOYER	15-Jun-12	SIZE A DRAWING NAME 281109_R1_0 SHEET 6 OF 7 REV.DOC 1.0

2nd OPERATION DETAILS

NEW AGE ENCLOSURES DELIVERS YOUR ENCLOSURE MARKET-READY WITH IN-HOUSE
CNC MACHINING, PAD PRINTING, ASSEMBLY, AND FULFILLMENT.
ALL SURFACES AND AREAS ARE AVAILABLE FOR CNC ALTERATION BY NEW AGE ENCLOSURES
CALL (805) 595-1310 FOR PRICING AND SCHEDULE.
THE INSIDE RADIUS OF ANY MACHINED FEATURES SHOULD BE NO SMALLER THAN .031"



281109 COVER
SCALE 1.000

SXX-281109-XXX COVER - ABS, BLACK						TOLERANCES: UNLESS OTHERWISE SPECIFIED DIMENSIONS ARE IN U.S. INCHES. X.XX = .015 X.XXXX = .001 X.XXX = .010 X.X° = 1°		NEW AGE ENCLOSURES			
STEP NO	DESCRIPTION	CUTTER	FIXTURE	ORIENTATION	PROGRAM	Customer's Part No: 281109		4330 Santa Fe Road San Luis Obispo, CA. 93401 ph. (805) 595-1310 fax (805) 595-1024 www.newageenclosures.com			
1	-	T2 = .062" EM	-	-	-	APPROVAL	BY	DATE	STANDARD - COMPACT AAA SXX-281109 ASSEMBLY		
2	-	T2 = .062" EM	-	-	-	CHECK					
SXX-281109-XXX COVER - ABS, BLACK						ENG.					
STEP NO	DESCRIPTION	INK COLOR	CLICHE DESCRIPTION		CLICHE No.	SCALE	AS NOTED				
3	PAD PRINT				--	DRAWN BY M BOYER	15-Jun-12	SIZE A	DRAWING NAME 281109_R1_0	SHEET 7 OF 7	REV.DOC 1.0

Mouser Electronics

Authorized Distributor

Click to View Pricing, Inventory, Delivery & Lifecycle Information:

[New Age Enclosures:](#)

[S1A-281109](#) [S3A-281109](#)

Компания «Океан Электроники» предлагает заключение долгосрочных отношений при поставках импортных электронных компонентов на взаимовыгодных условиях!

Наши преимущества:

- Поставка оригинальных импортных электронных компонентов напрямую с производств Америки, Европы и Азии, а так же с крупнейших складов мира;
- Широкая линейка поставок активных и пассивных импортных электронных компонентов (более 30 млн. наименований);
- Поставка сложных, дефицитных, либо снятых с производства позиций;
- Оперативные сроки поставки под заказ (от 5 рабочих дней);
- Экспресс доставка в любую точку России;
- Помощь Конструкторского Отдела и консультации квалифицированных инженеров;
- Техническая поддержка проекта, помощь в подборе аналогов, поставка прототипов;
- Поставка электронных компонентов под контролем ВП;
- Система менеджмента качества сертифицирована по Международному стандарту ISO 9001;
- При необходимости вся продукция военного и аэрокосмического назначения проходит испытания и сертификацию в лаборатории (по согласованию с заказчиком);
- Поставка специализированных компонентов военного и аэрокосмического уровня качества (Xilinx, Altera, Analog Devices, Intersil, Interpoint, Microsemi, Actel, Aeroflex, Peregrine, VPT, Syfer, Eurofarad, Texas Instruments, MS Kennedy, Miteq, Cobham, E2V, MA-COM, Hittite, Mini-Circuits, General Dynamics и др.);

Компания «Океан Электроники» является официальным дистрибьютором и эксклюзивным представителем в России одного из крупнейших производителей разъемов военного и аэрокосмического назначения «JONHON», а так же официальным дистрибьютором и эксклюзивным представителем в России производителя высокотехнологичных и надежных решений для передачи СВЧ сигналов «FORSTAR».



JONHON

«JONHON» (основан в 1970 г.)

Разъемы специального, военного и аэрокосмического назначения:

(Применяются в военной, авиационной, аэрокосмической, морской, железнодорожной, горно- и нефтедобывающей отраслях промышленности)

«FORSTAR» (основан в 1998 г.)

ВЧ соединители, коаксиальные кабели, кабельные сборки и микроволновые компоненты:

(Применяются в телекоммуникациях гражданского и специального назначения, в средствах связи, РЛС, а так же военной, авиационной и аэрокосмической отраслях промышленности).



Телефон: 8 (812) 309-75-97 (многоканальный)

Факс: 8 (812) 320-03-32

Электронная почта: ocean@oceanchips.ru

Web: <http://oceanchips.ru/>

Адрес: 198099, г. Санкт-Петербург, ул. Калинина, д. 2, корп. 4, лит. А