

## DESCRIPTION

Demonstration circuit DC963B is optimized for an up-converting mixer test & measurement for input frequency range of 45MHz to 190MHz, output frequency range of 850MHz to 935MHz, (12dB return loss BW). The LO port frequency range is 520MHz to 920MHz (10dB return loss BW).

The LT<sup>®</sup>5560 is a 0.01MHz to 4000MHz low power, high performance broadband Up/Down-converting active mixer. This double-balanced mixer can be driven by a single-ended LO source and requires minus 2dBm of LO power. The signal ports can be impedance matched to a broad range of frequencies, which allow the LT<sup>®</sup>5560 to be used as an up- or

down-conversion mixer in a wide variety of applications.

The LT<sup>®</sup>5560 is characterized with a supply current of 10mA; however, the DC current is adjustable, which allows the performance to be optimized for each application by changing the value of resistor R1. For I<sub>CC</sub>=10mA the value of R1 = 3 Ohm. Operation at a lower supply current will, however, degrade linearity.

**Design files for this circuit board are available. Call the LTC factory.**

LT is a registered trademark of Linear Technology Corporation.

**Table 1. Typical Performance Summary (T<sub>A</sub> = 25°C)**

| PARAMETER                             | CONDITION (f <sub>INPUT</sub> = 140MHz, f <sub>LO</sub> =760MHz) | VALUE         |
|---------------------------------------|--|---------------|
| Supply Voltage                        |  | 2.7V to 5.0V  |
| Supply Current                        | V <sub>CC</sub> = 3V, EN = High, R1=3                            | 10mA          |
| Maximum Shutdown Current              | V <sub>CC</sub> = 3V, EN = 0.3V                                  | 10μA          |
| Signal Input Frequency Range          | Requires External Matching                                       | < 4000MHz     |
| LO Signal Frequency Range             | Requires External Matching                                       | < 4000MHz     |
| Signal Output Frequency Range         | Requires External Matching                                       | < 4000MHz     |
| IF Input Return Loss                  | Z <sub>0</sub> = 50 , with External Matching                     | 15dB          |
| LO Input Return Loss                  | Z <sub>0</sub> = 50 , with External Matching                     | 15dB          |
| RF Output Return Loss                 | Z <sub>0</sub> = 50 , with External Matching                     | 15dB          |
| LO Input Power                        |  | -6dBm to 1dBm |
| Conversion Gain                       | P <sub>INPUT</sub> = -20dBm, P <sub>LO</sub> = -2dBm             | 2.4dB         |
| SSB Noise Figure                      | P <sub>LO</sub> = -2dBm  | 9.3dB         |
| Input 3 <sup>rd</sup> Order Intercept | 2-Tone, -20dBm/Tone, •f = 1MHz, P <sub>LO</sub> = -2dBm          | +9.0dBm       |
| Input 2 <sup>nd</sup> Order Intercept | 2-Tone, -20dBm/Tone, •f = 1MHz, P <sub>LO</sub> = -2dBm          | +47dBm        |
| Input 1dB Compression                 | P <sub>LO</sub> = -2dBm  | -2.8dBm       |
| LO to IN leakage                      | P <sub>LO</sub> = -2dBm  | -54dBm        |
| LO to OUT leakage                     | P <sub>LO</sub> = -2dBm  | -41dBm        |

# QUICK START GUIDE FOR DEMONSTRATION CIRCUIT DC963B

## LOW POWER ACTIVE UP-CONVERTING MIXER

---

### QUICK START PROCEDURE

Demonstration circuit DC963B is easy to set up to evaluate the performance of the LT<sup>®</sup>5560. Refer to Figure 1 for proper measurement equipment setup and follow the procedure below:

#### NOTE:

- a. Use high performance signal generators with low harmonic output for 2<sup>nd</sup> & 3<sup>rd</sup> order distortion measurements. Otherwise, low-pass filters at the signal generator outputs should be used to suppress harmonics, particularly the 2<sup>nd</sup> harmonic.
  - b. High quality combiners that provide a 50 Ohm termination on all ports and have good port-to-port isolation should be used. Attenuators on the outputs of the signal generators are recommended to further improve source isolation and to reduce reflection into the sources.
1. Connect all test equipment as shown in Figure 1.
  2. Set the DC power supply's current limit to 15mA, and adjust output voltage to 3V.
  3. Connect Vcc to the 3V DC supply, and then connect EN to 3V; the Mixer is enabled (on).
  4. Set Signal Generator #1 to provide a 760MHz, -2dBm, CW signal to the demo board LO input port.
  5. Set the Signal Generators #2 and #3 to provide two -20dBm CW signals to the demo board RF input port, one at 140MHz, and the other at 141MHz.
  6. To measure 3<sup>rd</sup> order distortion and conversion gain, set the Spectrum Analyzer start and stop frequencies to 898MHz and 903MHz, respectively. Sufficient spectrum analyzer input attenuation should be used to avoid distortion in the instrument.
  7. The 3<sup>rd</sup> order intercept point is equal to  $(P_1 - P_3) / 2 + P_{in}$ , where  $P_1$  is the power level of the two fundamental output tones at 900MHz and 901MHz,  $P_3$  is the 3<sup>rd</sup> order product at 899MHz and 902MHz, and  $P_{in}$  is the input power (in this case, -20dBm). All units are in dBm.
  8. Output 2<sup>nd</sup> order distortion product (OIM2) can be measured at 1041MHz, (140MHz+141MHz) + 760MHz = 1041MHz. To measure 2<sup>nd</sup> order distortion, set the Spectrum Analyzer start and stop frequencies to 1040MHz and 1042MHz, respectively. Sufficient spectrum analyzer input attenuation should be used to avoid distortion in the instrument.
  9. The input referred 2<sup>nd</sup> order intercept point (IIP2) is equal to  $P_1 - P_2 + P_{in}$ , where  $P_1$  is the power level of the fundamental output tone at 900MHz or 901MHz,  $P_2$  is the 2<sup>nd</sup> order distortion product at 1041MHz, and  $P_{in}$  is the input power (in this case -20dBm).

# QUICK START GUIDE FOR DEMONSTRATION CIRCUIT DC963B

## LOW POWER ACTIVE UP-CONVERTING MIXER

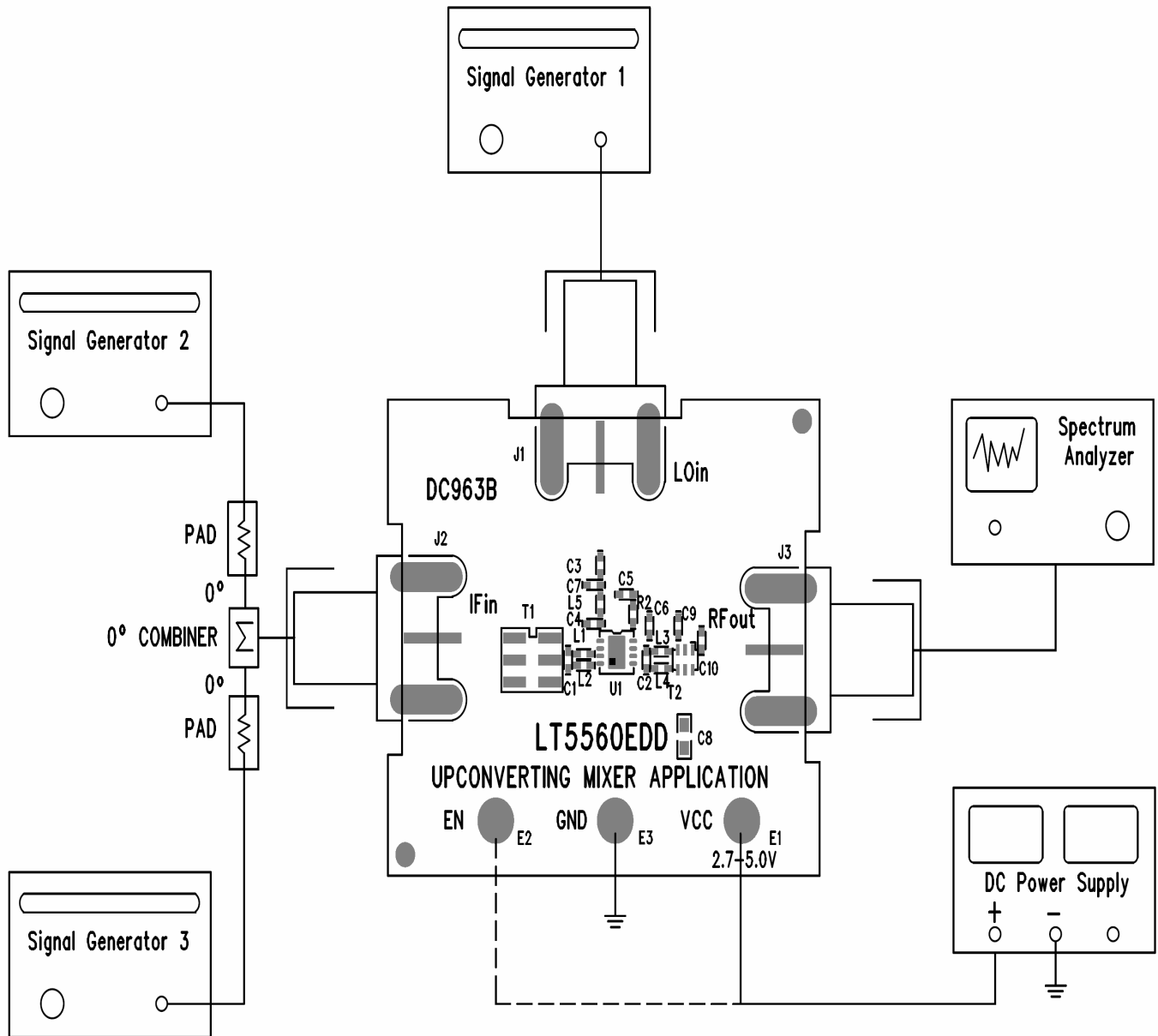
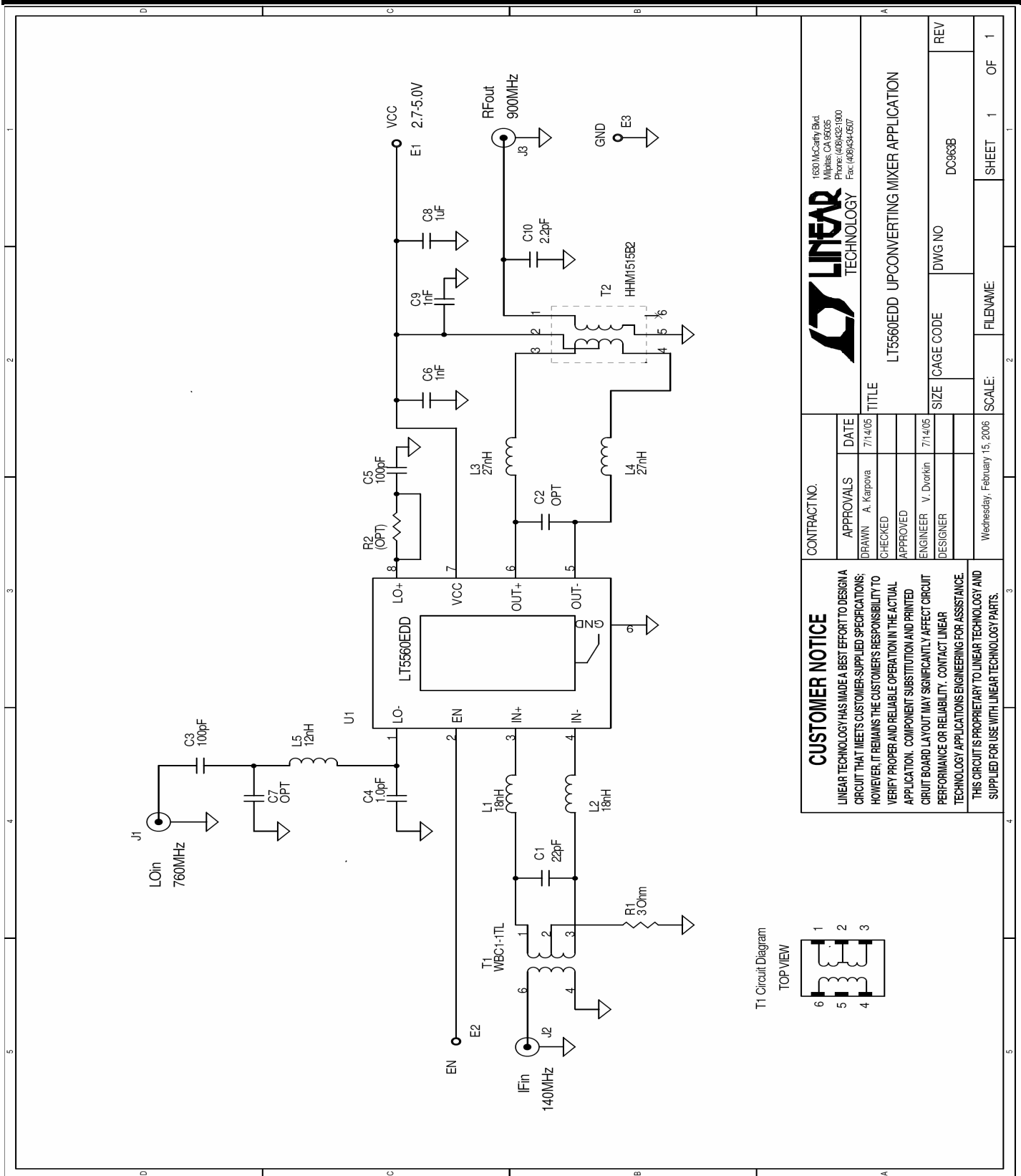


Figure 1. Proper Measurement Equipment Setup

# QUICK START GUIDE FOR DEMONSTRATION CIRCUIT DC963B

## LOW POWER ACTIVE UP-CONVERTING MIXER



**CUSTOMER NOTICE**

LINEAR TECHNOLOGY HAS MADE A BEST EFFORT TO DESIGN A CIRCUIT THAT MEETS CUSTOMER-SUPPLIED SPECIFICATIONS; HOWEVER, IT REMAINS THE CUSTOMER'S RESPONSIBILITY TO VERIFY PROPER AND RELIABLE OPERATION IN THE ACTUAL APPLICATION. COMPONENT SUBSTITUTION AND PRINTED CIRCUIT BOARD LAYOUT MAY SIGNIFICANTLY AFFECT CIRCUIT PERFORMANCE OR RELIABILITY. CONTACT LINEAR TECHNOLOGY APPLICATIONS ENGINEERING FOR ASSISTANCE.

THIS CIRCUIT IS PROPRIETARY TO LINEAR TECHNOLOGY AND SUPPLIED FOR USE WITH LINEAR TECHNOLOGY PARTS.

**CONTRACTING**

| APPROVALS            | DATE    |
|----------------------|---------|
| DRAWN: A. Kaipova    | 7/14/05 |
| CHECKED:             |         |
| APPROVED:            |         |
| ENGINEER: V. Dvorkin | 7/14/05 |
| DESIGNER:            |         |

**LINEAR TECHNOLOGY**

1630 McCarthy Blvd  
Milpitas, CA 95035  
Phone: (408)432-1000  
Fax: (408)434-1607

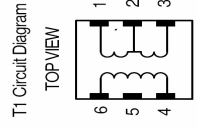
**LT5560EDD UPCONVERTING MIXER APPLICATION**

TITLE

SCALE: Wednesday, February 15, 2006

| SIZE | CAGE CODE | DWG NO | REV |
|------|-----------|--------|-----|
|      |           | DC963B |     |

| SHEET | 1 | OF | 1 |
|-------|---|----|---|
|       |   |    |   |



Компания «Океан Электроники» предлагает заключение долгосрочных отношений при поставках импортных электронных компонентов на взаимовыгодных условиях!

Наши преимущества:

- Поставка оригинальных импортных электронных компонентов напрямую с производств Америки, Европы и Азии, а так же с крупнейших складов мира;
- Широкая линейка поставок активных и пассивных импортных электронных компонентов (более 30 млн. наименований);
- Поставка сложных, дефицитных, либо снятых с производства позиций;
- Оперативные сроки поставки под заказ (от 5 рабочих дней);
- Экспресс доставка в любую точку России;
- Помощь Конструкторского Отдела и консультации квалифицированных инженеров;
- Техническая поддержка проекта, помощь в подборе аналогов, поставка прототипов;
- Поставка электронных компонентов под контролем ВП;
- Система менеджмента качества сертифицирована по Международному стандарту ISO 9001;
- При необходимости вся продукция военного и аэрокосмического назначения проходит испытания и сертификацию в лаборатории (по согласованию с заказчиком);
- Поставка специализированных компонентов военного и аэрокосмического уровня качества (Xilinx, Altera, Analog Devices, Intersil, Interpoint, Microsemi, Actel, Aeroflex, Peregrine, VPT, Syfer, Eurofarad, Texas Instruments, MS Kennedy, Miteq, Cobham, E2V, MA-COM, Hittite, Mini-Circuits, General Dynamics и др.);

Компания «Океан Электроники» является официальным дистрибьютором и эксклюзивным представителем в России одного из крупнейших производителей разъемов военного и аэрокосмического назначения «JONHON», а так же официальным дистрибьютором и эксклюзивным представителем в России производителя высокотехнологичных и надежных решений для передачи СВЧ сигналов «FORSTAR».



## JONHON

«JONHON» (основан в 1970 г.)

Разъемы специального, военного и аэрокосмического назначения:

(Применяются в военной, авиационной, аэрокосмической, морской, железнодорожной, горно- и нефтедобывающей отраслях промышленности)

«FORSTAR» (основан в 1998 г.)

ВЧ соединители, коаксиальные кабели, кабельные сборки и микроволновые компоненты:

(Применяются в телекоммуникациях гражданского и специального назначения, в средствах связи, РЛС, а так же военной, авиационной и аэрокосмической отраслях промышленности).



Телефон: 8 (812) 309-75-97 (многоканальный)

Факс: 8 (812) 320-03-32

Электронная почта: [ocean@oceanchips.ru](mailto:ocean@oceanchips.ru)

Web: <http://oceanchips.ru/>

Адрес: 198099, г. Санкт-Петербург, ул. Калинина, д. 2, корп. 4, лит. А