

SCALE 1:1

### TECHNICAL SPECIFICATION :

MAX. CURRENT : 16.0A  
 INSULATION RESISTANCE : 100Megaohms min.  
 MAX. CONDUCTOR : 1.50mm<sup>2</sup>/16AWG  
 MAX. VOLTAGE : 250V  
 CONTACT RESISTANCE : ≤15milliohms max.

CABLE DIAMETER RANGE :  
 PG6-M16 : 6.00-8.00mm  
 PG11 - G1/2"-M20 : 8.00-10.0mm

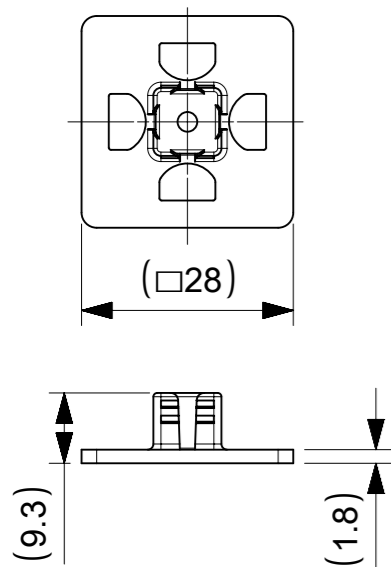
OPERATING TEMPERTURE WITH:  
 NITRILE RUBBER(NBR) GASKET : -40°C TO +90°C  
 SILICONE : -40°C TO +125°C

ENVIRONMENTAL : IP65  
 (IP67 AVAIBLE ON REQUEST)

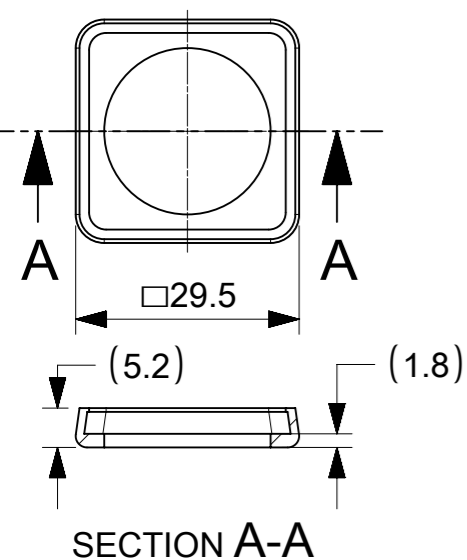
#### BOM

| ITEM | DESCRIPTION     | QTY. |
|------|-----------------|------|
| 1    | SCREW           | 1    |
| 2    | COVER ASSEMBLY  | 1    |
| 3    | INSERT ASSEMBLY | 1    |
| 4    | GASKET          | 1    |

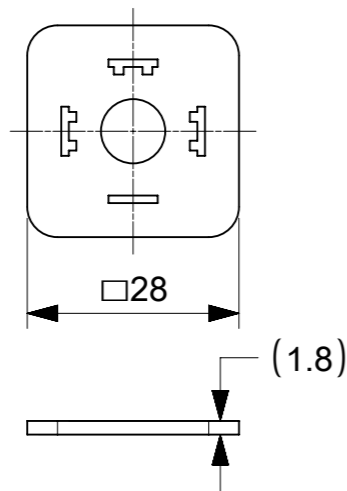
#### INTEGRATED GASKET



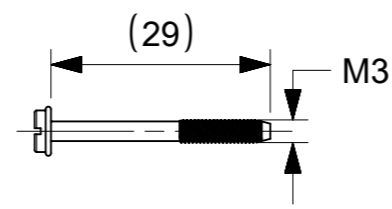
#### PROFIED GASKET



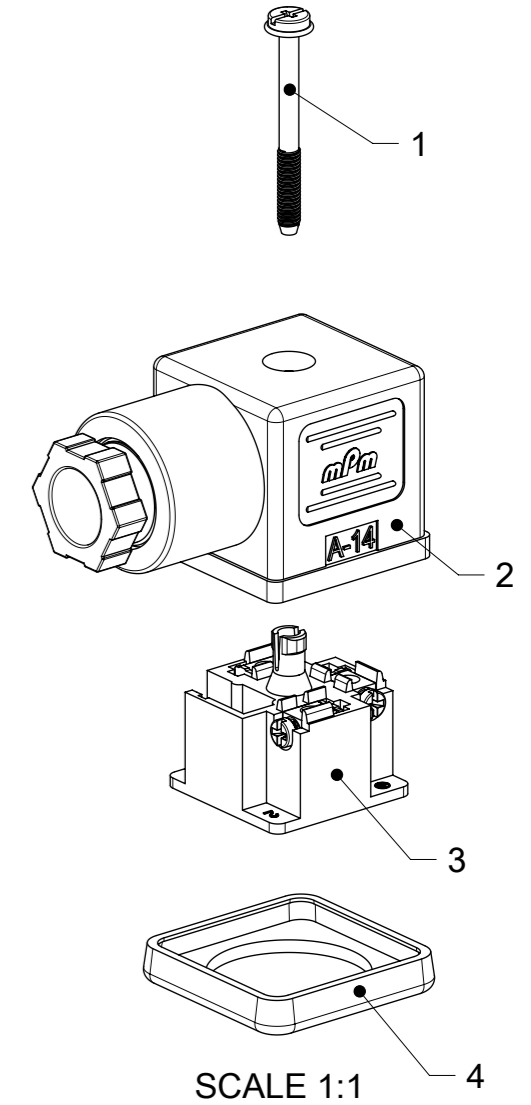
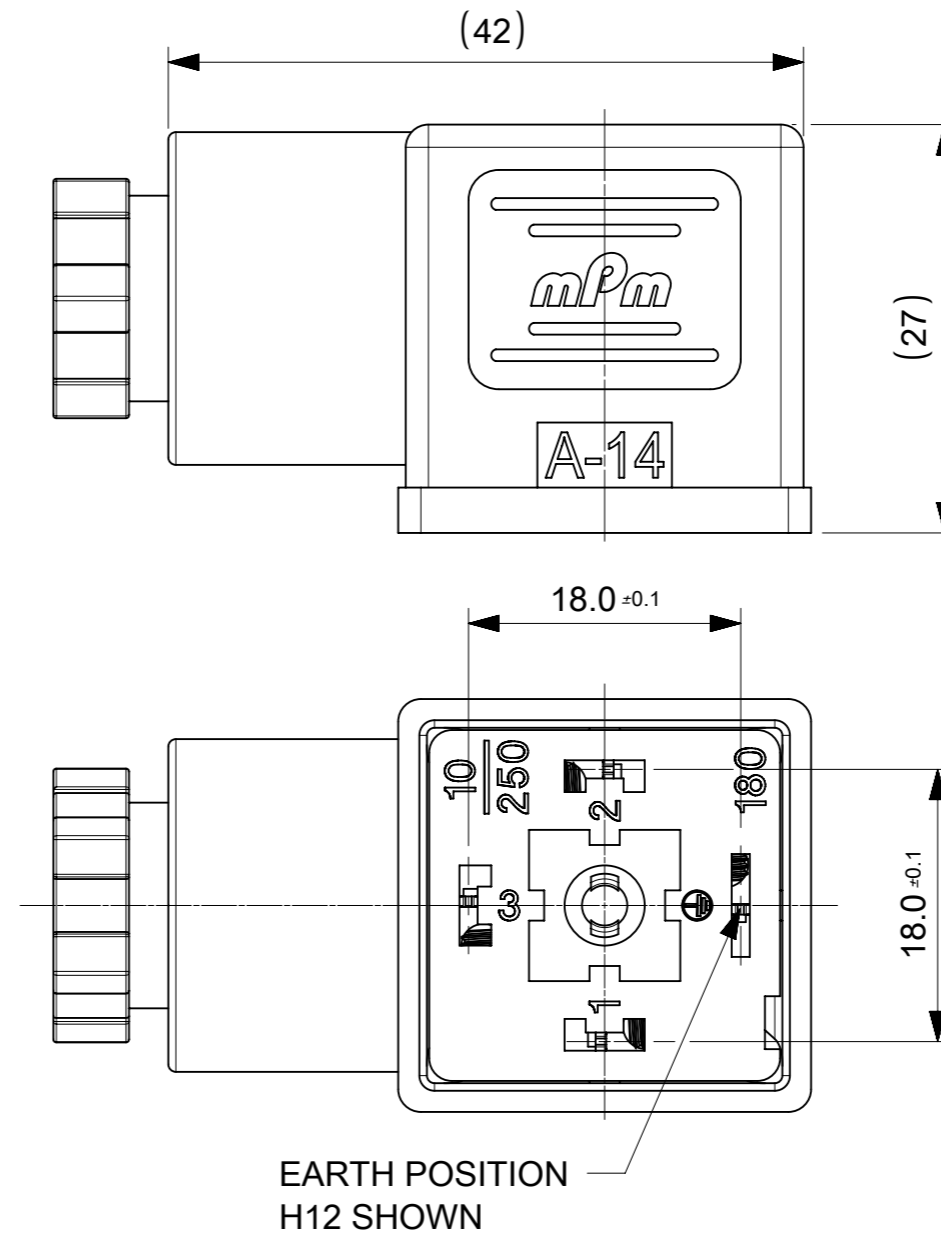
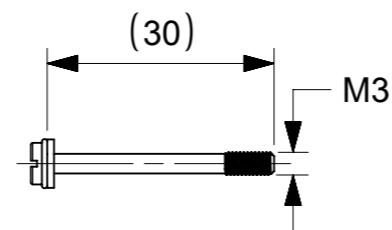
#### FLAT GASKET



#### SCREW M3x29



#### SCREW M3x30 + WASHER



#### NOTES :

- PLEASE SEE PDP 1210230229 FOR CURRENTLY CONFIGURED PART NUMBERS.
- FOR PACKAGING SEE PACKAGING SPEC PK-121023-C18
- PRODUCT SPEC : SEE PS-121201-001

|         |   |    |                           |                |                             |
|---------|---|----|---------------------------|----------------|-----------------------------|
| SYMBOLS | THIS DRAWING CONTAINS INFORMATION THAT IS PROPRIETARY TO MOLEX ELECTRONIC TECHNOLOGIES, LLC AND SHOULD NOT BE USED WITHOUT WRITTEN PERMISSION |    | CURRENT REV DESC:         |                |                             |
|         | ▽ = 0   | mm | SCALE                     | 2:1            |                             |
| ▽ = 0   | GENERAL TOLERANCES (UNLESS SPECIFIED)   |    | EC NO: 610370             |                | C18 SERIES ASSEMBLY OPTIONS |
| ▽ = 0   | ANGULAR TOL ± °   |    | DRWN: SSM 2019/01/09      |                |                             |
| ▽ = 0   | 4 PLACES ±  |    | CHK'D: RSILLER 2019/01/15 |                | PRODUCT CUSTOMER DRAWING    |
| ▽ = 0   | 3 PLACES ±  |    | APPR: RSILLER 2019/01/15  |                |                             |
| ▽ = 0   | 2 PLACES ± 0.1  |    | INITIAL REVISION:         |                | DOCUMENT NUMBER             |
| ▽ = 0   | 1 PLACE ± 0.2   |    | DRWN: SSM 2019/01/09      |                |                             |
| □ = 0   | 0 PLACES ±  |    | APPR: RSILLER 2019/01/15  |                | 1210230229                  |
| ■ = 0   | DRAFT WHERE APPLICABLE MUST REMAIN WITHIN DIMENSIONS  |    | THIRD ANGLE PROJECTION    | DRAWING        | SERIES                      |
| ▽ = 0   |   |    |                           | A3-SIZE        | 121023                      |
|         |   |    | MATERIAL NUMBER           | CUSTOMER       | SHEET NUMBER                |
|         |   |    | SEE 1210230229 PDP        | GENERAL MARKET | 1 OF 2                      |

# C18 SERIES MATRIX

C 1 8 X X X X X X X X

## OPTIONS

**SERIES**  
C18 - INTERNAL  
THREAD  
FORM A

**POLES**  
2 - 2 POLE  
3 - 3 POLE


**THREAD**  
09 - PG9  
11- PG11  
M6 - M6x1.5  
M0 - M20x1.5  
12 - 1/2" GAS,  
13 - 1/2" NPTF  
39 - PG9 W/STRAIN RELIEF  
41 - PG11 W/STRAIN RELIEF

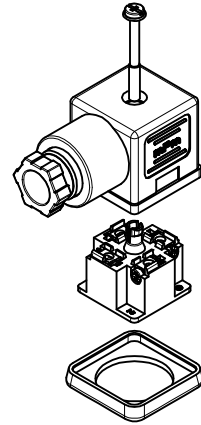
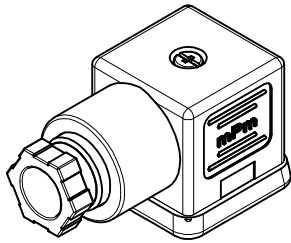
**GROUND  
POSITION :**  
0 - UNMOUNTED  
2 - H12  
3 - H3  
6 - H6  
9 - H9

**MATERIAL AND  
HOUSING COLOR:**  
G - PA6 Grey  
N - Black Black  
T - Transparent  
W - Black  
UL94 - V0  
H - PA6 HEAT PROTECTION

**SCREW AND GASKET**  
1 - NBR PROFILE GASKET & SCREW  
2 - NBR FLAT GASKET & SCREW  
3 - WHITE SILICONE PROFILE GASKET & SCREW  
4 - WHITE SILICONE FLAT GASKET & SCREW  
5 - NBR PROFILE GASKET, NO SCREW  
9 - NO GASKET , NO SCREW  
0 - NO GASKET , NO SCREW  
A - NBR PROFILE GASKET & SCREW + 2mm  
B - NBR FLAT GASKET & SCREW + 2mm  
C - WHITE SILICONE PROFILE GASKET & SCREW + 2mm  
G - NO GASKET & STANDARD SCREW  
I - BULK PACK FULLY MOUNTED , NO GASKET  
P - INTEGRATED NBR GASKET & IP67 SCREW ASSEMBLED  
R - INTEGRATED NBR GASKET & IP97 SCREW NOT ASSEMBLED

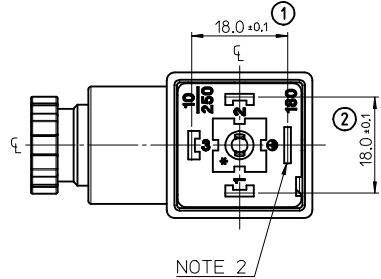
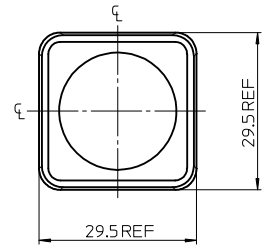
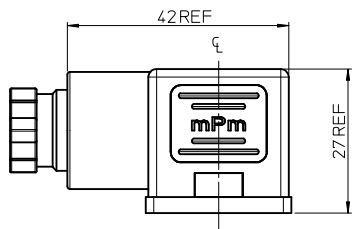
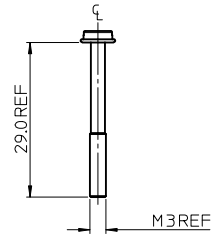
**NON STANDARD COMPONETS**  
AF - WITH CENTRE SCREW MOUNTED  
14 - SINGLE BAGGED  
SA - UL LISTED  
19 - PIN No.3 NON CONNECTED/REMOVED  
23 - ASSEMBLED SCREWS & GASKET  
10 - SPECIAL GROMMET  
4S - SPECIAL GROMMET  
5A - SINGLED BAGGED 500 IN A BOX  
9V - NO SCREW OR GASKET  
BM - GOLD TERMINALS  
BS - FULLY MOUNTED ALL COMPONENTS  
IN SEPERATE BAGS  
OH - INOX SCREW  
P7 - IP67 COMPLIANT

|         |   |       |  |  |  |
|---------|---|-------|--|--|--|
| SYMBOLS | THIS DRAWING CONTAINS INFORMATION THAT IS PROPRIETARY TO MOLEX ELECTRONIC TECHNOLOGIES, LLC AND SHOULD NOT BE USED WITHOUT WRITTEN PERMISSION |       | <br>C18 SERIES ASSEMBLY OPTIONS |  |  |
|         | DIMENSION UNITS   | SCALE |  |  |  |
| ▽ = 0   | mm  | 1:1   | EC NO: 610370  |  |  |
| ▽ = 0   | GENERAL TOLERANCES (UNLESS SPECIFIED)   |       | DRWN: SSM 2019/01/09   |  |  |
| ▽ = 0   | ANGULAR TOL ± °   |       | CHK'D: RSILLER 2019/01/15  |  |  |
| ▽ = 0   | 4 PLACES ±  |       | APPR: RSILLER 2019/01/15   |  |  |
| ▽ = 0   | 3 PLACES ±  |       | INITIAL REVISION:  |  |  |
| ▽ = 0   | 2 PLACES ± 0.1  |       | DRWN: SSM 2019/01/09   |  |  |
| ▽ = 0   | 1 PLACE ± 0.2   |       | APPR: RSILLER 2019/01/15   |  |  |
| ▽ = 0   | 0 PLACES ±  |       | DOCUMENT NUMBER  |  |  |
| □ = 0   | DRAFT WHERE APPLICABLE MUST REMAIN WITHIN DIMENSIONS  |       | 1210230229   |  |  |
| ▽ = 0   | THIRD ANGLE PROJECTION  |       | DOC TYPE   |  |  |
|         | DRAWING   |       | DOC PART   |  |  |
|         | SERIES  |       | REVISION   |  |  |
|         | MATERIAL NUMBER   |       | SHEET NUMBER   |  |  |
|         | CUSTOMER  |       | 2 OF 2   |  |  |



| ITEM | DESCRIPTION     |
|------|-----------------|
| 1    | SCREW           |
| 2    | COVER ASSEMBLY  |
| 3    | INSERT ASSEMBLY |
| 4    | GASKET          |

C18209N21\*\*



SERIES \_\_\_\_\_  
 C18= INTERNAL THREAD FORM A  
 POLES \_\_\_\_\_  
 2= 2 POLE & 3= 3 POLE  
 THREAD SIZE \_\_\_\_\_  
 09= PG9, 11= PG11, M6= M16x1.5, M0= M20x1.5, 12= 1/2" GAS, 13= 1/2" NPTF  
 39= PG9 W/STRAIN RELIEF, 41= PG11 W/STRAIN RELIEF  
 MATERIAL AND HOUSING COLOUR \_\_\_\_\_  
 G = PA6 GRAY, H= PA6 HEAT PROTECTION,  
 N= PA6 BLACK, W= PA66 BLACK V0, T= TRANSPARENT  
 GROUND POSITION \_\_\_\_\_  
 0= UNMOUNTED, 2= H12, 3= H3, 6= H6 & 9= H9

SCREW AND GASKET \_\_\_\_\_  
 1= NBR PROFILE GASKET & SCREW  
 2= NBR FLAT GASKET & SCREW  
 3= WHITE SILICONE PROFILE GASKET & SCREW  
 4= WHITE SILICONE FLAT GASKET & SCREW  
 5= NBR PROFILE GASKET, NO SCREW  
 9= NO GASKET, NO SCREW  
 0= NO GASKET, NO SCREW  
 A= NBR PROFILE GASKET & SCREW +2mm  
 B= NBR FLAT GASKET & SCREW +2mm  
 C= WHITE SILICONE PROFILE GASKET & SCREW +2mm  
 G= NO GASKET & STANDARD SCREW  
 I= BULK PACK FULLY MOUNTED, NO GASKET  
 P= INTEGRATED NBR GASKET & IP67 SCREW ASSEMBLED  
 R= INTEGRATED NBR GASKET & IP67 SCREW NOT ASSEMBLED

NON STANDARD COMPONENTS  
 14= SINGLE BAG  
 19= PIN NO.3 NON CONNECTED/REMOVED,  
 23= ASSEMBLED SCREWS & GASKET  
 10= SPECIAL GROMMET  
 4S= SPECIAL GROMMET  
 5A= SINGLE BAGGED 500 IN A BOX  
 9V= NO SCREW OR GASKET  
 AF= CENTRE SCREW MOUNTED  
 BM= GOLD TERMINALS  
 BS= FULLY UNMOUNTED ALL COMPONENTS IN SEPARATE BAGS  
 OH= INOX SCREW  
 P7= IP67 COMPLIANT  
 SA= UL LISTED PART

NOTES  
 1. PLEASE SEE SHEET 2 FOR CURRENTLY CONFIGURED PART NUMBERS, FOR SPECIFIC PART NUMBERS PLEASE CONTACT SALES OR CONSULT THE INTELLIGENT PART NUMBERS IN THE TABLE ATTACHED  
 2. EARTH POSITION SHOWN, H12.  
 3. FOR PACKAGING SEE PACKAGING SPEC PK-121023-C18  
 4. PRODUCT SPEC: SEE PS-121201-001  
 LAST INSPECTION NUMBER 2

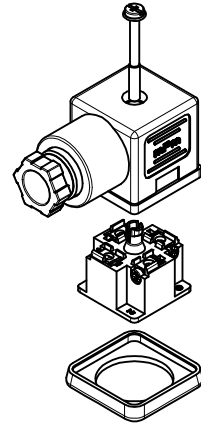
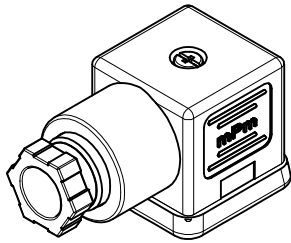
| ADDED P/N<br>EC NO: IFC2016-0551<br>DRWN: JBRYNES 2015/10/09<br>CHKD: DSHEA 2015/10/12<br>APPR: STGERLEIN 2015/11/25 | QUALITY SYMBOLS<br>▽=0<br>▽=0 | GENERAL TOLERANCES (UNLESS SPECIFIED)<br><table border="1"> <thead> <tr> <th></th> <th>mm</th> <th>INCH</th> </tr> </thead> <tbody> <tr> <td>4 PLACES</td> <td>±---</td> <td>±---</td> </tr> <tr> <td>3 PLACES</td> <td>±---</td> <td>±---</td> </tr> <tr> <td>2 PLACES</td> <td>±0.1</td> <td>±---</td> </tr> <tr> <td>1 PLACE</td> <td>±0.2</td> <td>±---</td> </tr> <tr> <td colspan="3">ANGULAR ±---°</td> </tr> </tbody> </table> |                    | mm  | INCH | 4 PLACES | ±--- | ±--- | 3 PLACES | ±--- | ±--- | 2 PLACES | ±0.1 | ±--- | 1 PLACE | ±0.2 | ±--- | ANGULAR ±---° |  |  | DIMENSION STYLE<br>MM ONLY | SCALE<br>1.5:1 | DESIGN UNITS<br>METRIC | THIRD ANGLE PROJECTION |
|--|-------------------------------|--|--------------------|---|------|----------|------|------|----------|------|------|----------|------|------|---------|------|------|---------------|--|--|----------------------------|----------------|------------------------|------------------------|
|  |                               | mm   | INCH               |   |      |          |      |      |          |      |      |          |      |      |         |      |      |               |  |  |                            |                |                        |                        |
|  | 4 PLACES                      | ±---   | ±---               |   |      |          |      |      |          |      |      |          |      |      |         |      |      |               |  |  |                            |                |                        |                        |
|  | 3 PLACES                      | ±---   | ±---               |   |      |          |      |      |          |      |      |          |      |      |         |      |      |               |  |  |                            |                |                        |                        |
| 2 PLACES   | ±0.1                          | ±---   |                    |   |      |          |      |      |          |      |      |          |      |      |         |      |      |               |  |  |                            |                |                        |                        |
| 1 PLACE  | ±0.2                          | ±---   |                    |   |      |          |      |      |          |      |      |          |      |      |         |      |      |               |  |  |                            |                |                        |                        |
| ANGULAR ±---°  |                               |  |                    |   |      |          |      |      |          |      |      |          |      |      |         |      |      |               |  |  |                            |                |                        |                        |
| DRAWN BY<br>JOCONNOR 2011/05/04  | DATE<br>2011/05/04            | TITLE<br>C18 SERIES INTERNAL THREAD  |                    |   |      |          |      |      |          |      |      |          |      |      |         |      |      |               |  |  |                            |                |                        |                        |
| CHECKED BY<br>DMAHER 2011/05/06  | DATE<br>2011/05/06            | APPROVED BY<br>EFOLAN 2011/05/24   | DATE<br>2011/05/24 | MOLEX INCORPORATED  |      |          |      |      |          |      |      |          |      |      |         |      |      |               |  |  |                            |                |                        |                        |
| MATERIAL NO.<br>SEE SHEET 2  | DOCUMENT NO.<br>SD-121023-001 | SHEET NO.<br>1 OF 2  |                    | THIS DRAWING CONTAINS INFORMATION THAT IS PROPRIETARY TO MOLEX INCORPORATED AND SHOULD NOT BE USED WITHOUT WRITTEN PERMISSION |      |          |      |      |          |      |      |          |      |      |         |      |      |               |  |  |                            |                |                        |                        |

12 11 10 9 8 7 6 5 4 3 2 1

| PART No.   | mPm PART No. | DESCRIPTION  |
|------------|--------------|--|
| 1210230229 | C18209G21    | TYPE A 2P PG9 GRAY, NBR PROFILE GASKET & SCREW                                   |
| 1210230231 | C18209G22    | TYPE A 2P PG9 GRAY, NBR FLAT GASKET & SCREW                                      |
| 1210230233 | C18209G31    | TYPE A 2P PG9 GRAY, NBR PROFILE GASKET & SCREW                                   |
| -          | -            | -  |
| 1210230238 | C18209N21    | TYPE A 2P PG9 BLACK, NBR PROFILE GASKET & SCREW                                  |
| 1210230242 | C18209N22    | TYPE A 2P PG9 BLACK, NBR FLAT GASKET & SCREW                                     |
| 1210230244 | C18209N23    | TYPE A 2P PG9 BLACK, WHITE SILICONE PROFILE GASKET & SCREW                       |
| 1210230245 | C18209N24    | TYPE A 2P PG9 BLACK, WHITE SILICONE FLAT GASKET & SCREW                          |
| 1210230246 | C18209N25    | TYPE A 2P PG9 BLACK, NBR PROFILE GASKET, NO SCREW                                |
| 1210230249 | C18209N2A    | TYPE A 2P PG9 BLACK, NBR PROFILE GASKET & SCREW +2mm                             |
| 1210230251 | C18209N31    | TYPE A 2P PG9 BLACK, NBR PROFILE GASKET & SCREW                                  |
| 1210230252 | C18209N61    | TYPE A 2P PG9 BLACK, NBR PROFILE GASKET & SCREW                                  |
| 1210230253 | C18209N62    | TYPE A 2P PG9 BLACK, NBR FLAT GASKET & SCREW                                     |
| 1210230254 | C18209T21    | TYPE A 2P PG9 TRANSPARENT, NBR PROFILE GASKET & SCREW                            |
| 1210230271 | C18211G21    | TYPE A 2P PG11 GRAY, NBR PROFILE GASKET & SCREW                                  |
| 1210230278 | C18211N21    | TYPE A 2P PG11 BLACK, NBR PROFILE GASKET & SCREW                                 |
| 1210230282 | C18211N23    | TYPE A 2P PG11 BLACK, WHITE SILICONE PROFILE GASKET & SCREW                      |
| 1210230283 | C18211N24    | TYPE A 2P PG11 BLACK, WHITE SILICONE FLAT GASKET & SCREW                         |
| 1210230284 | C18211N61    | TYPE A 2P PG11 BLACK, NBR PROFILE GASKET & SCREW                                 |
| 1210230286 | C18211T21    | TYPE A 2P PG11 TRANSPARENT, NBR PROFILE GASKET & SCREW                           |
| 1210230291 | C18211W21    | TYPE A 2P PG11 BLACK V0, NBR PROFILE GASKET & SCREW                              |
| 1210230305 | C18212N21    | TYPE A 2P 1/2" GAS BLACK, NBR PROFILE GASKET & SCREW                             |
| 1210230315 | C18213G21    | TYPE A 2P 1/2" NPTF GRAY, NBR PROFILE GASKET & SCREW                             |
| 1210230319 | C18213N21    | TYPE A 2P 1/2" NPTF BLACK, NBR PROFILE GASKET & SCREW                            |
| 1210230328 | C18239G21    | TYPE A 2P PG9 W/STRAIN RELIEF GRAY, NBR PROFILE GASKET & SCREW                   |
| 1210230331 | C18241N21    | TYPE A 2P PG11 W/STRAIN RELIEF BLACK, NBR PROFILE GASKET & SCREW                 |
| 1210230336 | C18309G21    | TYPE A 3P PG9 GRAY, NBR PROFILE GASKET & SCREW                                   |
| 1210230337 | C18309G22    | TYPE A 3P PG9 GRAY, NBR FLAT GASKET & SCREW                                      |
| 1210230341 | C18309N21    | TYPE A 3P PG9 BLACK, NBR PROFILE GASKET & SCREW                                  |
| 1210230345 | C18309N23    | TYPE A 3P PG9 BLACK, WHITE SILICONE PROFILE GASKET & SCREW                       |
| 1210230346 | C18309N24    | TYPE A 3P PG9 BLACK, WHITE SILICONE FLAT GASKET & SCREW                          |
| 1210230352 | C18309N2G    | TYPE A 3P PG9 BLACK, NO GASKET, & STANDARD SCREW                                 |
| 1210230354 | C18309N61    | TYPE A 3P PG9 BLACK, NBR PROFILE GASKET & SCREW                                  |
| 1210230356 | C18309N64    | TYPE A 3P PG9 BLACK, WHITE SILICONE FLAT GASKET & SCREW                          |
| 1210230358 | C18309T21    | TYPE A 3P PG9 TRANSPARENT, NBR PROFILE GASKET & SCREW                            |
| 1210230364 | C18309W21    | TYPE A 3P PG9 BLACK V0, NBR PROFILE GASKET & SCREW                               |
| 1210230367 | C18309W23    | TYPE A 3P PG9 BLACK V0, WHITE SILICONE PROFILE GASKET & SCREW                    |
| 1210230372 | C18311G21    | TYPE A 3P PG11 GRAY, NBR PROFILE GASKET & SCREW                                  |
| 1210230373 | C18311G22    | TYPE A 3P PG11 GRAY, NBR FLAT GASKET & SCREW                                     |
| 1210230374 | C18311G61    | TYPE A 3P PG11 GRAY, NBR PROFILE GASKET & SCREW                                  |
| 1210230377 | C18311N21    | TYPE A 3P PG11 BLACK, NBR PROFILE GASKET & SCREW                                 |
| 1210230378 | C18311N22    | TYPE A 3P PG11 BLACK, NBR FLAT GASKET & SCREW                                    |
| 1210230379 | C18311N31    | TYPE A 3P PG11 BLACK, NBR PROFILE GASKET & SCREW                                 |
| 1210230382 | C18311N61    | TYPE A 3P PG11 BLACK, NBR PROFILE GASKET & SCREW                                 |
| 1210230384 | C18311T21    | TYPE A 3P PG11 TRANSPARENT, NBR PROFILE GASKET & SCREW                           |
| 1210230388 | C18311W21    | TYPE A 3P PG11 BLACK V0, NBR PROFILE GASKET & SCREW                              |
| 1210230400 | C18312N21    | TYPE A 3P 1/2" GAS BLACK, NBR PROFILE GASKET & SCREW                             |
| 1210230401 | C18312N22    | TYPE A 3P 1/2" GAS BLACK, NBR FLAT GASKET & SCREW                                |
| 1210230410 | C18313G21    | TYPE A 3P 1/2" NPTF GRAY, NBR PROFILE GASKET & SCREW                             |
| 1210230414 | C18313N21    | TYPE A 3P 1/2" NPTF BLACK, NBR PROFILE GASKET & SCREW                            |
| 1210230415 | C18313N22    | TYPE A 3P 1/2" NPTF BLACK, NBR FLAT GASKET & SCREW                               |
| 1210230421 | C18339N23    | TYPE A 3P PG9 W/STRAIN RELIEF BLACK, WHITE SILICONE PROFILE GASKET & SCREW       |
| 1210230422 | C18339N2C    | TYPE A 3P PG9 W/STRAIN RELIEF BLACK, WHITE SILICONE PROFILE GASKET, & SCREW +2mm |
| 1210230645 | C183M6N21    | TYPE A 3P M16x15 BLACK, NBR PROFILE GASKET & SCREW                               |
| 1210230656 | C183M6G21    | TYPE A 3P M16x15 GRAY, NBR PROFILE GASKET & SCREW                                |
| 1210230660 | C183M0N21    | TYPE A 3P M20x15 BLACK, NBR PROFILE GASKET & SCREW                               |
| 1210230662 | C182M0N21    | TYPE A 2P M20x15 BLACK, NBR PROFILE GASKET & SCREW                               |
| 1210230677 | C182M6N21    | TYPE A 2P M16x15 BLACK, NBR PROFILE GASKET & SCREW                               |
| 1210230704 | C182M6N22    | TYPE A 2P M16x15 BLACK, NBR FLAT GASKET & SCREW                                  |
| 1210230718 | C182M6G21    | TYPE A 2P M16x15 GRAY, NBR PROFILE GASKET & SCREW                                |
| 1210230741 | C183M0N22    | TYPE A 3P M20x15 BLACK, NO GASKET, & STANDARD SCREW                              |
| 1210230745 | C18209N21    | TYPE A 2P PG9 BLACK, NBR PROFILE GASKET & SCREW                                  |
| 1210230763 | C18311W2G    | TYPE A 3P PG11 BLACK V0, NO GASKET, & STANDARD SCREW                             |
| 1210230768 | C18213T22    | TYPE A 2P 1/2" NPTF TRANSPARENT, NBR FLAT GASKET & SCREW                         |
| 1210230780 | C18312N23    | TYPE A 3P 1/2" GAS BLACK, WHITE SILICONE PROFILE GASKET & SCREW                  |
| 1210230793 | C18309N2A    | TYPE A 3P PG9 BLACK, NBR PROFILE GASKET & SCREW +2mm                             |

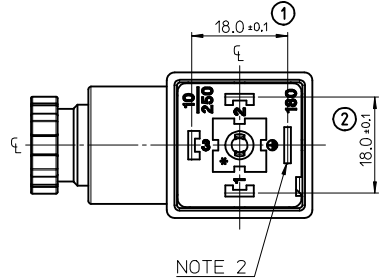
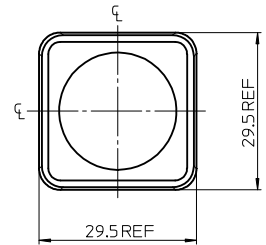
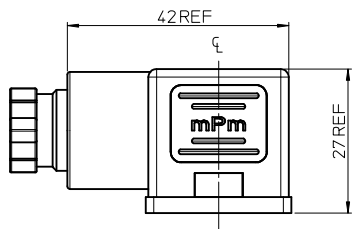
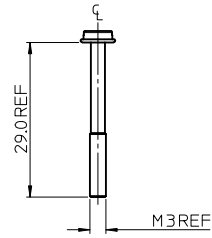
| PART No.   | mPm PART No.  | DESCRIPTION  |
|------------|---------------|--|
| 1210230800 | C18209G2B     | TYPE A 2P PG9 GRAY, NBR FLAT GASKET, & SCREW +2mm  |
| 1210230803 | C182M0N2A     | TYPE A 2P M20x15 BLACK, NBR PROFILE GASKET & SCREW +2mm                                      |
| 1210230804 | C18309N33     | TYPE A 3P PG9 BLACK, WHITE SILICONE PROFILE GASKET & SCREW                                   |
| 1210230807 | C18309N2R     | TYPE A 3P PG9 BLACK, INTEGRATED NBR GASKET & IP67 SCREW NOT ASSEMBLED                        |
| 1210230825 | C182M6N2P     | TYPE A 2P M16x15 BLACK, INTEGRATED NBR GASKET & IP67 SCREW ASSEMBLED                         |
| 1210230833 | C18211G2A     | TYPE A 2P PG11 GRAY, NBR PROFILE GASKET & SCREW +2mm   |
| 1210230841 | C182M0G21     | TYPE A 2P M20x15 GRAY, NBR PROFILE GASKET & SCREW  |
| 1210240268 | C18311N2G     | TYPE A 3P PG11 BLACK, NO GASKET, & STANDARD SCREW  |
| 1210240370 | C18211N2A     | TYPE A 2P PG11 BLACK, NBR PROFILE GASKET & SCREW +2mm  |
| 1210240940 | C18209N20     | TYPE A 2P PG9 BLACK, NO GASKET, NO SCREW   |
| 1210240133 | C18209N210H   | TYPE A 2P PG9 BLACK, NBR PROFILE GASKET, STAINLESS STEEL SCREW                               |
| 1210240154 | C18209N220H   | TYPE A 2P PG9 BLACK, NBR FLAT GASKET, STAINLESS STEEL SCREW                                  |
| 1210240378 | C18311N210H   | TYPE A 3P PG11 BLACK, NBR PROFILE GASKET, STAINLESS STEEL SCREW                              |
| 1210240139 | C18209N2114   | TYPE A 2P PG9 BLACK, NBR PROFILE GASKET & SCREW IN NEUTRAL BAG                               |
| 1210240156 | C18209N2214   | TYPE A 2P PG9 BLACK, NBR FLAT GASKET & SCREW IN NEUTRAL BAG                                  |
| 1210240224 | C18309N2114   | TYPE A 3P PG9 BLACK, NBR PROFILE GASKET & SCREW IN NEUTRAL BAG                               |
| 1210240755 | C18309N2R19   | TYPE A 3P PG9 BLACK, INTEGRATED NBR GASKET & IP67 SCREW NOT ASSEMBLED W/O PIN No. 3          |
| 1210240227 | C18309N2110   | TYPE A 3P PG9 BLACK, NBR PROFILE GASKET & SCREW, WITH SPECIAL GROMMET                        |
| 1210240185 | C18211G2123   | TYPE A 2P PG11 GRAY, NBR PROFILE GASKET & SCREW, FULLY MOUNTED                               |
| 1210240271 | C18311N614S   | TYPE A 3P PG11 BLACK, NBR PROFILE GASKET & SCREW, WITH SPECIAL GROMMET                       |
| 1210240265 | C18311N215A   | TYPE A 3P PG11 BLACK, NBR PROFILE GASKET & SCREW, SINGLE BAGGED, 500 IN A BOX                |
| 1210230350 | C18309N299V   | TYPE A 3P PG9 BLACK, NO GASKET, NO SCREW   |
| 1210240167 | C18209N299V   | TYPE A 2P PG9 BLACK, NO GASKET, NO SCREW   |
| 1210230232 | C18209G22AF   | TYPE A 2P PG9 GRAY, NBR FLAT GASKET WITH SCREW MOUNTED                                       |
| 1210230243 | C18209N22AF   | TYPE A 2P PG9 BLACK, NBR FLAT GASKET WITH SCREW MOUNTED                                      |
| 1210230274 | C18211G22AF   | TYPE A 2P PG11 GRAY, NBR FLAT GASKET WITH SCREW MOUNTED                                      |
| 1210230281 | C18211N22AF   | TYPE A 2P PG11 BLACK, NBR FLAT GASKET WITH SCREW MOUNTED                                     |
| 1210230648 | C18309N31AF   | TYPE A 3P PG9 BLACK, NBR PROFILE GASKET WITH SCREW MOUNTED                                   |
| 1210230678 | C183M0N31AF   | TYPE A 3P M20x15 BLACK, NBR PROFILE GASKET WITH SCREW MOUNTED                                |
| 1210230696 | C183M6N21AF   | TYPE A 3P M16x15 BLACK, NBR PROFILE GASKET WITH SCREW MOUNTED                                |
| 1210230751 | C183M6N31AF   | TYPE A 3P M16x15 BLACK, NBR PROFILE GASKET WITH SCREW MOUNTED                                |
| 1210230801 | C183M6N22AF   | TYPE A 3P M16x15 BLACK, NBR FLAT GASKET WITH SCREW MOUNTED                                   |
| 1210230767 | C18311N318M   | TYPE A 3P PG11 BLACK, NBR PROFILE GASKET & SCREW, WITH GOLD TERMINALS                        |
| 1210230728 | C18209N218S   | TYPE A 2P PG9 BLACK, NBR PROFILE GASKET & SCREW, FULLY UNMOUNTED                             |
| 1210230240 | C18209N21P7   | TYPE A 2P PG9 BLACK, NBR PROFILE GASKET & SCREW, IP67 COMPLIANT                              |
| 1210230272 | C18211G21P7   | TYPE A 2P PG11 GRAY, NBR PROFILE GASKET IP67 COMPLIANT                                       |
| 1210230279 | C18211N21P7   | TYPE A 2P PG11 BLACK, NBR PROFILE GASKET & SCREW, IP67 COMPLIANT                             |
| 1210230420 | C18339N21P7   | TYPE A 3P PG9 W/STRAIN RELIEF BLACK, NBR PROFILE GASKET & SCREW, IP67 COMPLIANT              |
| 1210230725 | C18309N21P7   | TYPE A 3P PG9 BLACK, NBR PROFILE GASKET & SCREW, IP67 COMPLIANT                              |
| 1210230731 | C18312N21P7   | TYPE A 3P 1/2" GAS BLACK, NBR PROFILE GASKET & SCREW, IP67 COMPLIANT                         |
| 1210230732 | C18209G21P7   | TYPE A 2P PG9 GRAY, NBR PROFILE GASKET & SCREW, IP67 COMPLIANT                               |
| 1210230843 | C183M6N21P7   | TYPE A 3P M16x15 BLACK, NBR PROFILE GASKET & SCREW, IP67 COMPLIANT                           |
| 1210230849 | C18309N21     | TYPE A 3P PG9 BLACK, BULK PACK FULLY MOUNTED, NO GASKET                                      |
| 1210230739 | C18311W21SA   | TYPE A 3P PG11 BLACK V0, NBR PROFILE GASKET & SCREW, UL LISTED                               |
| 1210230851 | C182M6W21SA   | TYPE A 2P M16x15 BLACK V0, NBR PROFILE GASKET UL LISTED                                      |
| 1210230853 | C18311N21P7   | TYPE A 3P PG11 BLACK, NBR PROFILE GASKET & SCREW, IP67 COMPLIANT                             |
| 1210230854 | C18309W2P5A14 | TYPE A 3P PG9 BLACK V0, NBR PROFILE GASKET & SCREW, UL LISTED, IP67 COMPLIANT, SINGLE BAGGED |
| 1210230855 | C183M0W31AFSA | TYPE A 3P M20x15 BLACK V0, NBR PROFILE GASKET WITH SCREW MOUNTED, UL LISTED                  |
| 1210230657 | C18309W21SA   | TYPE A 3P PG9 BLACK V0, NBR PROFILE GASKET & SCREW, UL LISTED                                |
| 1210230809 | C18211W21SA   | TYPE A 2P PG11 BLACK V0, NBR PROFILE GASKET & SCREW, UL LISTED                               |
| 1210230861 | C18211W23SA   | TYPE A 2P PG11 BLACK V0, WHITE SILICONE PROFILE GASKET & SCREW, UL LISTED                    |
| 1210230344 | C18309N22     | TYPE A 3P PG9 BLACK PA.6, H12, NBR FLAT GASKET & SCREW                                       |
| 1210230862 | C18313T22     | TYPE A 3P 1/2" NPTF TRANSPARENT, NBR FLAT GASKET & SCREW                                     |
| 1210230870 | C18309G21SA   | TYPE A 3P PG9 GRAY, NBR PROFILE GASKET & SCREW, UL LISTED                                    |
| 1210230674 | C18209W21SA   | TYPE A 2P PG9 BLACK, NBR PROFILE GASKET & SCREW, UL LISTED                                   |

| SEE SHEET ONE<br>EC NO: IPGZ016-0551<br>DRAWN: JBVRNES 2015/10/09<br>CHKD: ASHEA 2015/10/12<br>APPR: SUGRIFIN 2015/11/25 | QUALITY SYMBOLS<br>▽=0<br>▽=0  | GENERAL TOLERANCES (UNLESS SPECIFIED)<br><table border="1"> <tr> <th></th> <th>mm</th> <th>INCH</th> </tr> <tr> <td>4 PLACES</td> <td>±---</td> <td>±---</td> </tr> <tr> <td>3 PLACES</td> <td>±---</td> <td>±---</td> </tr> <tr> <td>2 PLACES</td> <td>±0.1</td> <td>±---</td> </tr> <tr> <td>1 PLACE</td> <td>±0.2</td> <td>±---</td> </tr> </table> |      | mm | INCH | 4 PLACES | ±--- | ±--- | 3 PLACES | ±--- | ±--- | 2 PLACES | ±0.1 | ±--- | 1 PLACE | ±0.2 | ±--- | DIMENSION STYLE<br><b>MM ONLY</b><br>DRAWN BY: JOCONNOR<br>DATE: 2011/05/04<br>CHECKED BY: DMAHER<br>DATE: 2011/05/06<br>APPROVED BY: EFOLAN<br>DATE: 2011/05/24<br>MATERIAL NO.:<br>DOCUMENT NO.: | SCALE<br><b>2:1</b><br>DESIGN UNITS<br><b>METRIC</b><br> | THIRD ANGLE PROJECTION<br><b>C18 SERIES<br/>INTERNAL THREAD</b><br><br><b>MOLEX INCORPORATED</b><br>SD-121023-001<br>SHEET NO. 2 OF 2 |
|--|--|--|------|----|------|----------|------|------|----------|------|------|----------|------|------|---------|------|------|--|--|---|
|  |  | mm   | INCH |    |      |          |      |      |          |      |      |          |      |      |         |      |      |  |  |   |
|  | 4 PLACES   | ±---   | ±--- |    |      |          |      |      |          |      |      |          |      |      |         |      |      |  |  |   |
|  | 3 PLACES   | ±---   | ±--- |    |      |          |      |      |          |      |      |          |      |      |         |      |      |  |  |   |
| 2 PLACES   | ±0.1   | ±---   |      |    |      |          |      |      |          |      |      |          |      |      |         |      |      |  |  |   |
| 1 PLACE  | ±0.2   | ±---   |      |    |      |          |      |      |          |      |      |          |      |      |         |      |      |  |  |   |
| DRAFT WHERE APPLICABLE MUST REMAIN WITHIN DIMENSIONS   | SEE CHART<br>SIZE A 2<br>THIS DRAWING CONTAINS INFORMATION THAT IS PROPRIETARY TO MOLEX INCORPORATED AND SHOULD NOT BE USED WITHOUT WRITTEN PERMISSION |  |      |    |      |          |      |      |          |      |      |          |      |      |         |      |      |  |  |   |



| ITEM | DESCRIPTION     |
|------|-----------------|
| 1    | SCREW           |
| 2    | COVER ASSEMBLY  |
| 3    | INSERT ASSEMBLY |
| 4    | GASKET          |

C18209N21\*\*



SERIES \_\_\_\_\_  
 C18= INTERNAL THREAD FORM A  
 POLES \_\_\_\_\_  
 2= 2 POLE & 3= 3 POLE  
 THREAD SIZE \_\_\_\_\_  
 09= PG9, 11= PG11, M6= M16x1.5, M0= M20x1.5, 12= 1/2" GAS, 13= 1/2" NPTF  
 39= PG9 W/STRAIN RELIEF, 41= PG11 W/STRAIN RELIEF  
 MATERIAL AND HOUSING COLOUR \_\_\_\_\_  
 G = PA6 GRAY, H= PA6 HEAT PROTECTION,  
 N= PA6 BLACK, W= PA66 BLACK V0, T= TRANSPARENT  
 GROUND POSITION \_\_\_\_\_  
 0= UNMOUNTED, 2= H12, 3= H3, 6= H6 & 9= H9

SCREW AND GASKET \_\_\_\_\_  
 1= NBR PROFILE GASKET & SCREW  
 2= NBR FLAT GASKET & SCREW  
 3= WHITE SILICONE PROFILE GASKET & SCREW  
 4= WHITE SILICONE FLAT GASKET & SCREW  
 5= NBR PROFILE GASKET, NO SCREW  
 9= NO GASKET, NO SCREW  
 0= NO GASKET, NO SCREW  
 A= NBR PROFILE GASKET & SCREW +2mm  
 B= NBR FLAT GASKET & SCREW +2mm  
 C= WHITE SILICONE PROFILE GASKET & SCREW +2mm  
 G= NO GASKET & STANDARD SCREW  
 I= BULK PACK FULLY MOUNTED, NO GASKET  
 P= INTEGRATED NBR GASKET & IP67 SCREW ASSEMBLED  
 R= INTEGRATED NBR GASKET & IP67 SCREW NOT ASSEMBLED

NON STANDARD COMPONENTS  
 14= SINGLE BAG  
 19= PIN NO.3 NON CONNECTED/REMOVED,  
 23= ASSEMBLED SCREWS & GASKET  
 10= SPECIAL GROMMET  
 4S= SPECIAL GROMMET  
 5A= SINGLE BAGGED 500 IN A BOX  
 9V= NO SCREW OR GASKET  
 AF= CENTRE SCREW MOUNTED  
 BM= GOLD TERMINALS  
 BS= FULLY UNMOUNTED ALL COMPONENTS IN SEPARATE BAGS  
 OH= INOX SCREW  
 P7= IP67 COMPLIANT  
 SA= UL LISTED PART

NOTES  
 1. PLEASE SEE SHEET 2 FOR CURRENTLY CONFIGURED PART NUMBERS, FOR SPECIFIC PART NUMBERS PLEASE CONTACT SALES OR CONSULT THE INTELLIGENT PART NUMBERS IN THE TABLE ATTACHED  
 2. EARTH POSITION SHOWN, H12.  
 3. FOR PACKAGING SEE PACKAGING SPEC PK-121023-C18  
 4. PRODUCT SPEC: SEE PS-121201-001  
 LAST INSPECTION NUMBER 2

| ADDED P/N<br>EC NO: IFC2016-0551<br>DRWN: JBRYNES 2015/10/09<br>CHKD: DSHEA 2015/10/12<br>APPR: STGERLEIN 2015/11/25  | QUALITY SYMBOLS<br>▽=0<br>▽=0 | GENERAL TOLERANCES (UNLESS SPECIFIED)<br><table border="1"> <thead> <tr> <th></th> <th>mm</th> <th>INCH</th> </tr> </thead> <tbody> <tr> <td>4 PLACES</td> <td>±---</td> <td>±---</td> </tr> <tr> <td>3 PLACES</td> <td>±---</td> <td>±---</td> </tr> <tr> <td>2 PLACES</td> <td>±0.1</td> <td>±---</td> </tr> <tr> <td>1 PLACE</td> <td>±0.2</td> <td>±---</td> </tr> <tr> <td colspan="3">ANGULAR ±---°</td> </tr> </tbody> </table> |      | mm                  | INCH | 4 PLACES | ±--- | ±--- | 3 PLACES | ±--- | ±--- | 2 PLACES | ±0.1 | ±--- | 1 PLACE | ±0.2 | ±--- | ANGULAR ±---° |  |  | DIMENSION STYLE<br>MM ONLY | SCALE<br>1.5:1 | DESIGN UNITS<br>METRIC | THIRD ANGLE PROJECTION |
|---|-------------------------------|--|------|---------------------|------|----------|------|------|----------|------|------|----------|------|------|---------|------|------|---------------|--|--|----------------------------|----------------|------------------------|------------------------|
|   |                               | mm   | INCH |                     |      |          |      |      |          |      |      |          |      |      |         |      |      |               |  |  |                            |                |                        |                        |
|   | 4 PLACES                      | ±---   | ±--- |                     |      |          |      |      |          |      |      |          |      |      |         |      |      |               |  |  |                            |                |                        |                        |
|   | 3 PLACES                      | ±---   | ±--- |                     |      |          |      |      |          |      |      |          |      |      |         |      |      |               |  |  |                            |                |                        |                        |
| 2 PLACES  | ±0.1                          | ±---   |      |                     |      |          |      |      |          |      |      |          |      |      |         |      |      |               |  |  |                            |                |                        |                        |
| 1 PLACE   | ±0.2                          | ±---   |      |                     |      |          |      |      |          |      |      |          |      |      |         |      |      |               |  |  |                            |                |                        |                        |
| ANGULAR ±---°   |                               |  |      |                     |      |          |      |      |          |      |      |          |      |      |         |      |      |               |  |  |                            |                |                        |                        |
| DRAWN BY<br>JOCONNOR 2011/05/04   | DATE<br>2011/05/04            | TITLE<br>C18 SERIES INTERNAL THREAD  |      |                     |      |          |      |      |          |      |      |          |      |      |         |      |      |               |  |  |                            |                |                        |                        |
| CHECKED BY<br>DMAHER 2011/05/06   | DATE<br>2011/05/06            |  |      |                     |      |          |      |      |          |      |      |          |      |      |         |      |      |               |  |  |                            |                |                        |                        |
| APPROVED BY<br>EFOLAN 2011/05/24  | DATE<br>2011/05/24            |  |      |                     |      |          |      |      |          |      |      |          |      |      |         |      |      |               |  |  |                            |                |                        |                        |
| MATERIAL NO.<br>SEE SHEET 2   |                               | DOCUMENT NO.<br>SD-121023-001  |      | SHEET NO.<br>1 OF 2 |      |          |      |      |          |      |      |          |      |      |         |      |      |               |  |  |                            |                |                        |                        |
| DRAFT WHERE APPLICABLE MUST REMAIN WITHIN DIMENSIONS<br>THIS DRAWING CONTAINS INFORMATION THAT IS PROPRIETARY TO MOLEX INCORPORATED AND SHOULD NOT BE USED WITHOUT WRITTEN PERMISSION |                               |  |      |                     |      |          |      |      |          |      |      |          |      |      |         |      |      |               |  |  |                            |                |                        |                        |

| PART No.   | mPm PART No. | DESCRIPTION  |
|------------|--------------|--|
| 1210230229 | C18209G21    | TYPE A 2P PG9 GRAY, NBR PROFILE GASKET & SCREW                                   |
| 1210230231 | C18209G22    | TYPE A 2P PG9 GRAY, NBR FLAT GASKET & SCREW                                      |
| 1210230233 | C18209G31    | TYPE A 2P PG9 GRAY, NBR PROFILE GASKET & SCREW                                   |
| -          | -            | -  |
| 1210230238 | C18209N21    | TYPE A 2P PG9 BLACK, NBR PROFILE GASKET & SCREW                                  |
| 1210230242 | C18209N22    | TYPE A 2P PG9 BLACK, NBR FLAT GASKET & SCREW                                     |
| 1210230244 | C18209N23    | TYPE A 2P PG9 BLACK, WHITE SILICONE PROFILE GASKET & SCREW                       |
| 1210230245 | C18209N24    | TYPE A 2P PG9 BLACK, WHITE SILICONE FLAT GASKET & SCREW                          |
| 1210230246 | C18209N25    | TYPE A 2P PG9 BLACK, NBR PROFILE GASKET, NO SCREW                                |
| 1210230249 | C18209N2A    | TYPE A 2P PG9 BLACK, NBR PROFILE GASKET & SCREW +2mm                             |
| 1210230251 | C18209N31    | TYPE A 2P PG9 BLACK, NBR PROFILE GASKET & SCREW                                  |
| 1210230252 | C18209N61    | TYPE A 2P PG9 BLACK, NBR PROFILE GASKET & SCREW                                  |
| 1210230253 | C18209N62    | TYPE A 2P PG9 BLACK, NBR PROFILE GASKET & SCREW                                  |
| 1210230254 | C18209T21    | TYPE A 2P PG9 TRANSPARENT, NBR PROFILE GASKET & SCREW                            |
| 1210230271 | C18211G21    | TYPE A 2P PG11 GRAY, NBR PROFILE GASKET & SCREW                                  |
| 1210230278 | C18211N21    | TYPE A 2P PG11 BLACK, NBR PROFILE GASKET & SCREW                                 |
| 1210230282 | C18211N23    | TYPE A 2P PG11 BLACK, WHITE SILICONE PROFILE GASKET & SCREW                      |
| 1210230283 | C18211N24    | TYPE A 2P PG11 BLACK, WHITE SILICONE FLAT GASKET & SCREW                         |
| 1210230284 | C18211N61    | TYPE A 2P PG11 BLACK, NBR PROFILE GASKET & SCREW                                 |
| 1210230286 | C18211T21    | TYPE A 2P PG11 TRANSPARENT, NBR PROFILE GASKET & SCREW                           |
| 1210230291 | C18211W21    | TYPE A 2P PG11 BLACK V0, NBR PROFILE GASKET & SCREW                              |
| 1210230305 | C18212N21    | TYPE A 2P 1/2" GAS BLACK, NBR PROFILE GASKET & SCREW                             |
| 1210230315 | C18213G21    | TYPE A 2P 1/2" NPTF GRAY, NBR PROFILE GASKET & SCREW                             |
| 1210230319 | C18213N21    | TYPE A 2P 1/2" NPTF BLACK, NBR PROFILE GASKET & SCREW                            |
| 1210230328 | C18239G21    | TYPE A 2P PG9 W/STRAIN RELIEF GRAY, NBR PROFILE GASKET & SCREW                   |
| 1210230331 | C18241N21    | TYPE A 2P PG11 W/STRAIN RELIEF BLACK, NBR PROFILE GASKET & SCREW                 |
| 1210230336 | C18309G21    | TYPE A 3P PG9 GRAY, NBR PROFILE GASKET & SCREW                                   |
| 1210230337 | C18309G22    | TYPE A 3P PG9 GRAY, NBR FLAT GASKET & SCREW                                      |
| 1210230341 | C18309N21    | TYPE A 3P PG9 BLACK, NBR PROFILE GASKET & SCREW                                  |
| 1210230345 | C18309N23    | TYPE A 3P PG9 BLACK, WHITE SILICONE PROFILE GASKET & SCREW                       |
| 1210230346 | C18309N24    | TYPE A 3P PG9 BLACK, WHITE SILICONE FLAT GASKET & SCREW                          |
| 1210230352 | C18309N2G    | TYPE A 3P PG9 BLACK, NO GASKET, & STANDARD SCREW                                 |
| 1210230354 | C18309N61    | TYPE A 3P PG9 BLACK, NBR PROFILE GASKET & SCREW                                  |
| 1210230356 | C18309N64    | TYPE A 3P PG9 BLACK, WHITE SILICONE FLAT GASKET & SCREW                          |
| 1210230358 | C18309T21    | TYPE A 3P PG9 TRANSPARENT, NBR PROFILE GASKET & SCREW                            |
| 1210230364 | C18309W21    | TYPE A 3P PG9 BLACK V0, NBR PROFILE GASKET & SCREW                               |
| 1210230367 | C18309W23    | TYPE A 3P PG9 BLACK V0, WHITE SILICONE PROFILE GASKET & SCREW                    |
| 1210230372 | C18311G21    | TYPE A 3P PG11 GRAY, NBR PROFILE GASKET & SCREW                                  |
| 1210230373 | C18311G22    | TYPE A 3P PG11 GRAY, NBR FLAT GASKET & SCREW                                     |
| 1210230374 | C18311G61    | TYPE A 3P PG11 GRAY, NBR PROFILE GASKET & SCREW                                  |
| 1210230377 | C18311N21    | TYPE A 3P PG11 BLACK, NBR PROFILE GASKET & SCREW                                 |
| 1210230378 | C18311N22    | TYPE A 3P PG11 BLACK, NBR FLAT GASKET & SCREW                                    |
| 1210230379 | C18311N31    | TYPE A 3P PG11 BLACK, NBR PROFILE GASKET & SCREW                                 |
| 1210230382 | C18311N61    | TYPE A 3P PG11 BLACK, NBR PROFILE GASKET & SCREW                                 |
| 1210230384 | C18311T21    | TYPE A 3P PG11 TRANSPARENT, NBR PROFILE GASKET & SCREW                           |
| 1210230388 | C18311W21    | TYPE A 3P PG11 BLACK V0, NBR PROFILE GASKET & SCREW                              |
| 1210230400 | C18312N21    | TYPE A 3P 1/2" GAS BLACK, NBR PROFILE GASKET & SCREW                             |
| 1210230401 | C18312N22    | TYPE A 3P 1/2" GAS BLACK, NBR FLAT GASKET & SCREW                                |
| 1210230410 | C18313G21    | TYPE A 3P 1/2" NPTF GRAY, NBR PROFILE GASKET & SCREW                             |
| 1210230414 | C18313N21    | TYPE A 3P 1/2" NPTF BLACK, NBR PROFILE GASKET & SCREW                            |
| 1210230415 | C18313N22    | TYPE A 3P 1/2" NPTF BLACK, NBR FLAT GASKET & SCREW                               |
| 1210230421 | C18339N23    | TYPE A 3P PG9 W/STRAIN RELIEF BLACK, WHITE SILICONE PROFILE GASKET & SCREW       |
| 1210230422 | C18339N2C    | TYPE A 3P PG9 W/STRAIN RELIEF BLACK, WHITE SILICONE PROFILE GASKET, & SCREW +2mm |
| 1210230645 | C183M6N21    | TYPE A 3P M16x15 BLACK, NBR PROFILE GASKET & SCREW                               |
| 1210230656 | C183M6G21    | TYPE A 3P M16x15 GRAY, NBR PROFILE GASKET & SCREW                                |
| 1210230660 | C183M0N21    | TYPE A 3P M20x15 BLACK, NBR PROFILE GASKET & SCREW                               |
| 1210230662 | C182M0N21    | TYPE A 2P M20x15 BLACK, NBR PROFILE GASKET & SCREW                               |
| 1210230677 | C182M6N21    | TYPE A 2P M16x15 BLACK, NBR PROFILE GASKET & SCREW                               |
| 1210230704 | C182M6N22    | TYPE A 2P M16x15 BLACK, NBR FLAT GASKET & SCREW                                  |
| 1210230718 | C182M6G21    | TYPE A 2P M16x15 GRAY, NBR PROFILE GASKET & SCREW                                |
| 1210230741 | C183M0N22    | TYPE A 3P M20x15 BLACK, NO GASKET, & STANDARD SCREW                              |
| 1210230745 | C18209N91    | TYPE A 2P PG9 BLACK, NBR PROFILE GASKET & SCREW                                  |
| 1210230763 | C18311W2G    | TYPE A 3P PG11 BLACK V0, NO GASKET, & STANDARD SCREW                             |
| 1210230768 | C18213T22    | TYPE A 2P 1/2" NPTF TRANSPARENT, NBR FLAT GASKET & SCREW                         |
| 1210230780 | C18312N23    | TYPE A 3P 1/2" GAS BLACK, WHITE SILICONE PROFILE GASKET & SCREW                  |
| 1210230793 | C18309N2A    | TYPE A 3P PG9 BLACK, NBR PROFILE GASKET & SCREW +2mm                             |

| PART No.   | mPm PART No.  | DESCRIPTION  |
|------------|---------------|--|
| 1210230800 | C18209G2B     | TYPE A 2P PG9 GRAY, NBR FLAT GASKET, & SCREW +2mm  |
| 1210230803 | C182M0N2A     | TYPE A 2P M20x15 BLACK, NBR PROFILE GASKET & SCREW +2mm                                      |
| 1210230804 | C18309N33     | TYPE A 3P PG9 BLACK, WHITE SILICONE PROFILE GASKET & SCREW                                   |
| 1210230807 | C18309N2R     | TYPE A 3P PG9 BLACK, INTEGRATED NBR GASKET & IP67 SCREW NOT ASSEMBLED                        |
| 1210230825 | C182M6N2P     | TYPE A 2P M16x15 BLACK, INTEGRATED NBR GASKET & IP67 SCREW ASSEMBLED                         |
| 1210230833 | C18211G2A     | TYPE A 2P PG11 GRAY, NBR PROFILE GASKET & SCREW +2mm   |
| 1210230841 | C182M0G21     | TYPE A 2P M20x15 GRAY, NBR PROFILE GASKET & SCREW  |
| 1210240268 | C18311N2G     | TYPE A 3P PG11 BLACK, NO GASKET, & STANDARD SCREW  |
| 1210240370 | C18211N2A     | TYPE A 2P PG11 BLACK, NBR PROFILE GASKET & SCREW +2mm  |
| 1210240940 | C18209N20     | TYPE A 2P PG9 BLACK, NO GASKET, NO SCREW   |
| 1210240133 | C18209N210H   | TYPE A 2P PG9 BLACK, NBR PROFILE GASKET, STAINLESS STEEL SCREW                               |
| 1210240154 | C18209N220H   | TYPE A 2P PG9 BLACK, NBR FLAT GASKET, STAINLESS STEEL SCREW                                  |
| 1210240378 | C18311N210H   | TYPE A 3P PG11 BLACK, NBR PROFILE GASKET, STAINLESS STEEL SCREW                              |
| 1210240139 | C18209N2114   | TYPE A 2P PG9 BLACK, NBR PROFILE GASKET & SCREW IN NEUTRAL BAG                               |
| 1210240156 | C18209N2214   | TYPE A 2P PG9 BLACK, NBR FLAT GASKET & SCREW IN NEUTRAL BAG                                  |
| 1210240224 | C18309N2114   | TYPE A 3P PG9 BLACK, NBR PROFILE GASKET & SCREW IN NEUTRAL BAG                               |
| 1210240755 | C18309N2R19   | TYPE A 3P PG9 BLACK, INTEGRATED NBR GASKET & IP67 SCREW NOT ASSEMBLED W/O PIN No. 3          |
| 1210240227 | C18309N2110   | TYPE A 3P PG9 BLACK, NBR PROFILE GASKET & SCREW, WITH SPECIAL GROMMET                        |
| 1210240185 | C18211G2123   | TYPE A 2P PG11 GRAY, NBR PROFILE GASKET & SCREW, FULLY MOUNTED                               |
| 1210240271 | C18311N614S   | TYPE A 3P PG11 BLACK, NBR PROFILE GASKET & SCREW, WITH SPECIAL GROMMET                       |
| 1210240265 | C18311N215A   | TYPE A 3P PG11 BLACK, NBR PROFILE GASKET & SCREW, SINGLE BAGGED, 500 IN A BOX                |
| 1210230350 | C18309N299V   | TYPE A 3P PG9 BLACK, NO GASKET, NO SCREW   |
| 1210240167 | C18209N299V   | TYPE A 2P PG9 BLACK, NO GASKET, NO SCREW   |
| 1210230232 | C18209G22AF   | TYPE A 2P PG9 GRAY, NBR FLAT GASKET WITH SCREW MOUNTED                                       |
| 1210230243 | C18209N22AF   | TYPE A 2P PG9 BLACK, NBR FLAT GASKET WITH SCREW MOUNTED                                      |
| 1210230274 | C18211G22AF   | TYPE A 2P PG11 GRAY, NBR FLAT GASKET WITH SCREW MOUNTED                                      |
| 1210230281 | C18211N22AF   | TYPE A 2P PG11 BLACK, NBR FLAT GASKET WITH SCREW MOUNTED                                     |
| 1210230648 | C18309N31AF   | TYPE A 3P PG9 BLACK, NBR PROFILE GASKET WITH SCREW MOUNTED                                   |
| 1210230678 | C183M0N31AF   | TYPE A 3P M20x15 BLACK, NBR PROFILE GASKET WITH SCREW MOUNTED                                |
| 1210230696 | C183M6N21AF   | TYPE A 3P M16x15 BLACK, NBR PROFILE GASKET WITH SCREW MOUNTED                                |
| 1210230751 | C183M6N31AF   | TYPE A 3P M16x15 BLACK, NBR PROFILE GASKET WITH SCREW MOUNTED                                |
| 1210230801 | C183M6N22AF   | TYPE A 3P M16x15 BLACK, NBR FLAT GASKET WITH SCREW MOUNTED                                   |
| 1210230767 | C18311N318M   | TYPE A 3P PG11 BLACK, NBR PROFILE GASKET & SCREW, WITH GOLD TERMINALS                        |
| 1210230728 | C18209N21BS   | TYPE A 2P PG9 BLACK, NBR PROFILE GASKET & SCREW, FULLY UNMOUNTED                             |
| 1210230240 | C18209N21P7   | TYPE A 2P PG9 BLACK, NBR PROFILE GASKET & SCREW, IP67 COMPLIANT                              |
| 1210230272 | C18211G21P7   | TYPE A 2P PG11 GRAY, NBR PROFILE GASKET IP67 COMPLIANT                                       |
| 1210230279 | C18211N21P7   | TYPE A 2P PG11 BLACK, NBR PROFILE GASKET & SCREW, IP67 COMPLIANT                             |
| 1210230420 | C18309N21P7   | TYPE A 3P PG9 W/STRAIN RELIEF BLACK, NBR PROFILE GASKET & SCREW, IP67 COMPLIANT              |
| 1210230725 | C18309N21P7   | TYPE A 3P PG9 BLACK, NBR PROFILE GASKET & SCREW, IP67 COMPLIANT                              |
| 1210230731 | C18312N21P7   | TYPE A 3P 1/2" GAS BLACK, NBR PROFILE GASKET & SCREW IP67 COMPLIANT                          |
| 1210230732 | C18209G21P7   | TYPE A 2P PG9 GRAY, NBR PROFILE GASKET & SCREW IP67 COMPLIANT                                |
| 1210230843 | C183M6N21P7   | TYPE A 3P M16x15 BLACK, NBR PROFILE GASKET & SCREW IP67 COMPLIANT                            |
| 1210230849 | C18309N21     | TYPE A 3P PG9 BLACK, BULK PACK FULLY MOUNTED, NO GASKET                                      |
| 1210230739 | C18311W21SA   | TYPE A 3P PG11 BLACK V0, NBR PROFILE GASKET & SCREW, UL LISTED                               |
| 1210230851 | C182M6W21SA   | TYPE A 2P M16x15 BLACK V0, NBR PROFILE GASKET UL LISTED                                      |
| 1210230853 | C18311N21P7   | TYPE A 3P PG11 BLACK, NBR PROFILE GASKET & SCREW, IP67 COMPLIANT                             |
| 1210230854 | C18309W2P5A14 | TYPE A 3P PG9 BLACK V0, NBR PROFILE GASKET & SCREW, UL LISTED, IP67 COMPLIANT, SINGLE BAGGED |
| 1210230855 | C183M0W31AFSA | TYPE A 3P M20x15 BLACK V0, NBR PROFILE GASKET WITH SCREW MOUNTED, UL LISTED                  |
| 1210230657 | C18309W21SA   | TYPE A 3P PG9 BLACK V0, NBR PROFILE GASKET & SCREW, UL LISTED                                |
| 1210230809 | C18211W21SA   | TYPE A 2P PG11 BLACK V0, NBR PROFILE GASKET & SCREW, UL LISTED                               |
| 1210230861 | C18211W23SA   | TYPE A 2P PG11 BLACK V0, WHITE SILICONE PROFILE GASKET & SCREW, UL LISTED                    |
| 1210230344 | C18309N22     | TYPE A 3P PG9 BLACK PA.6, H12, NBR FLAT GASKET & SCREW                                       |
| 1210230862 | C18313T22     | TYPE A 3P 1/2" NPTF TRANSPARENT, NBR FLAT GASKET & SCREW                                     |
| 1210230870 | C18309G21SA   | TYPE A 3P PG9 GRAY, NBR PROFILE GASKET & SCREW, UL LISTED                                    |
| 1210230674 | C18209W21SA   | TYPE A 2P PG9 BLACK, NBR PROFILE GASKET & SCREW, UL LISTED                                   |

|   |                 |  |                                   |                                      |                                      |  |                           |
|---|-----------------|--|-----------------------------------|--------------------------------------|--------------------------------------|--|---------------------------|
| SEE SHEET ONE<br>EC NO: PG206-0551<br>DRAWN: JBVRNES 2015/10/09<br>CHKD: ASHEA 2015/10/12<br>APPR: SUGRFIN 2015/11/25 | QUALITY SYMBOLS | GENERAL TOLERANCES (UNLESS SPECIFIED)                | DIMENSION STYLE<br><b>MM ONLY</b> | SCALE<br><b>2:1</b>                  | DESIGN UNITS<br><b>METRIC</b>        | THIRD ANGLE PROJECTION                     |                           |
|   | ▽=0             | 4 PLACES ± --- ± ---<br>3 PLACES ± --- ± ---         | mm INCH                           | DRAWN BY<br>JOCANNOR                 | DATE<br>2011/05/04                   | TITLE<br><b>C18 SERIES INTERNAL THREAD</b> |                           |
|   | ▽=0             | 2 PLACES ± 0.1 ± ---<br>1 PLACE ± 0.2 ± ---          | ANGULAR ± ---°                    | CHECKED BY<br>DMAHER                 | DATE<br>2011/05/06                   |  |                           |
|   |                 | DRAFT WHERE APPLICABLE MUST REMAIN WITHIN DIMENSIONS | SEE CHART                         | APPROVED BY<br>EFOLAN                | DATE<br>2011/05/24                   | <b>MOLEX</b>                               | <b>MOLEX INCORPORATED</b> |
|   |                 |  | SIZE<br><b>A 2</b>                | MATERIAL NO.<br><b>SD-121023-001</b> | DOCUMENT NO.<br><b>SD-121023-001</b> | SHEET NO.<br><b>2 OF 2</b>                 |                           |

THIS DRAWING CONTAINS INFORMATION THAT IS PROPRIETARY TO MOLEX INCORPORATED AND SHOULD NOT BE USED WITHOUT WRITTEN PERMISSION

Компания «Океан Электроники» предлагает заключение долгосрочных отношений при поставках импортных электронных компонентов на взаимовыгодных условиях!

Наши преимущества:

- Поставка оригинальных импортных электронных компонентов напрямую с производств Америки, Европы и Азии, а так же с крупнейших складов мира;
- Широкая линейка поставок активных и пассивных импортных электронных компонентов (более 30 млн. наименований);
- Поставка сложных, дефицитных, либо снятых с производства позиций;
- Оперативные сроки поставки под заказ (от 5 рабочих дней);
- Экспресс доставка в любую точку России;
- Помощь Конструкторского Отдела и консультации квалифицированных инженеров;
- Техническая поддержка проекта, помощь в подборе аналогов, поставка прототипов;
- Поставка электронных компонентов под контролем ВП;
- Система менеджмента качества сертифицирована по Международному стандарту ISO 9001;
- При необходимости вся продукция военного и аэрокосмического назначения проходит испытания и сертификацию в лаборатории (по согласованию с заказчиком);
- Поставка специализированных компонентов военного и аэрокосмического уровня качества (Xilinx, Altera, Analog Devices, Intersil, Interpoint, Microsemi, Actel, Aeroflex, Peregrine, VPT, Syfer, Eurofarad, Texas Instruments, MS Kennedy, Miteq, Cobham, E2V, MA-COM, Hittite, Mini-Circuits, General Dynamics и др.);

Компания «Океан Электроники» является официальным дистрибьютором и эксклюзивным представителем в России одного из крупнейших производителей разъемов военного и аэрокосмического назначения «JONHON», а так же официальным дистрибьютором и эксклюзивным представителем в России производителя высокотехнологичных и надежных решений для передачи СВЧ сигналов «FORSTAR».



## JONHON

«JONHON» (основан в 1970 г.)

Разъемы специального, военного и аэрокосмического назначения:

(Применяются в военной, авиационной, аэрокосмической, морской, железнодорожной, горно- и нефтедобывающей отраслях промышленности)

«FORSTAR» (основан в 1998 г.)

ВЧ соединители, коаксиальные кабели,  
кабельные сборки и микроволновые компоненты:

(Применяются в телекоммуникациях гражданского и специального назначения, в средствах связи, РЛС, а так же военной, авиационной и аэрокосмической отраслях промышленности).



Телефон: 8 (812) 309-75-97 (многоканальный)

Факс: 8 (812) 320-03-32

Электронная почта: [ocean@oceanchips.ru](mailto:ocean@oceanchips.ru)

Web: <http://oceanchips.ru/>

Адрес: 198099, г. Санкт-Петербург, ул. Калинина, д. 2, корп. 4, лит. А