

## DESCRIPTION

Demonstration circuit DC1336 is a dual output regulator consisting of two constant-frequency step-down converters, based on the LTC3417A-2 monolithic dual synchronous buck regulator. The DC1336 has an input voltage range of 2.25V to 5.5V, with one regulator capable of delivering up to 1.5A of output current and the other regulator capable of delivering up to 1A of output current. The DC1336 can operate in either Burst Mode™ or Pulse-Skipping operation. In shutdown, the DC1336 can run off of less than 1  $\mu$ A total. The

DC1336 is a very efficient circuit: up to 94% for either circuit. The LTC3417A-2 comes in a 16 Pin DFN package, which has an exposed pad on the bottom-side of the IC for better thermal performance. These features, plus the nominal operating frequency of 1.5 MHz (allowing the exclusive use of low profile surface mount components), make the DC1336 demo board an ideal circuit for use in battery-powered, hand-held applications. **Gerber files for this circuit are available. Call the LTC Factory.**

## QUICK START PROCEDURE

The DC1336 is easy to set up to evaluate the performance of the LTC3417A-2. For a proper measurement equipment configuration, set up the circuit according to the diagram in Figure 2.

NOTE: When measuring the input or output voltage ripple, care must be taken to avoid a long ground lead on the oscilloscope probe. Measure the input or output voltage ripple by touching the probe tip directly across the Vin or Vout and GND terminals. See the Measurement Equipment Set-up diagram in Figure 1 for proper scope probe technique.

Please follow the procedure outlined below for proper operation.

1. Connect the input power supply to the Vin and GND terminals. Connect the loads between the Vout and GND terminals. Refer to figure 1 for the proper measurement equipment setup.
2. Before proceeding to operation, insert jumper shunts XJP1 and XJP4 into the OFF positions, shunt XJP2 into the IN PHASE position, shunt XJP3 into the PULSE (SKIP) position, shunt XJP8 into the 1.5 MHz position,

shunt XJP6 into the Vout1 voltage options of choice: 1.2V, 1.5V, or 1.8V, and a shunt into the Vout2 voltage option of choice: 2.5V (jumper JP5) or 3.3V (jumper JP7).

3. Apply 5V at Vin. Measure both Vouts; they should read 0V. If desired, one can measure the shutdown supply current at this point. The supply current will be less than 100  $\mu$ A in shutdown, with most of the current due to the optional 100 kohm pull-up resistor of the Power-On Reset (POR) feature.

4. Turn on Vout1 and Vout2 by changing shunts XJP1 and XJP4 from the OFF positions to the ON positions. Both output voltages should be within a tolerance of +/- 2.5%.

5. Vary the input voltage from 5V to 0.5V above the output voltage (If Vout2 is off, then the minimum input voltage limit is 2.25V.). Both output voltages should be within +/- 4% tolerance.

6. Vary the Vout1 load current from 0 to 1.5A, and the Vout2 load current from 0 to 1A. Each output voltage should be within a tolerance of +/- 5%.

# QUICK START GUIDE FOR DEMONSTRATION CIRCUIT 1336

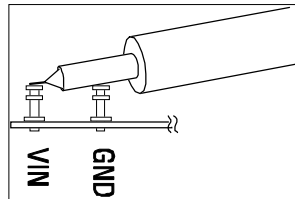
## DUAL SYNCHRONOUS, 1.5/1A, 4 MHz STEP-DOWN DC/DC REGULATOR

---

7. Set the load current of both outputs between 500 mA and the max. rated output current, and then measure each output ripple voltage (Refer to Figure 2 for proper measurement technique); they should measure less than 20 mVAC each. Also, observe the voltage waveform at either switch node (pins 15 – reg.1 and 10 – reg.2) of each regulator. The switching frequencies should be between 1.2 MHz and 1.8 MHz ( $T = 0.833 \mu\text{s}$  and  $0.555 \mu\text{s}$ ). To realize 1 MHz operation, change the shunt position on jumper JP8. In all cases, both switch node waveforms should be rectangular in shape, and in phase with each other. Change the shunt position on header JP2 to set the switch waveforms 180 degrees out of phase (with respect to each other). This operation reduces the RMS input current. To operate the ckt.s in Burst Mode™, change the shunt in header JP3 to the Burst Mode™ position.

8. When finished, insert shunts XJP1 and XJP4 to the OFF position(s) and disconnect the power.

Warning - If the power for the demo board is carried in long leads, the input voltage at the part could “ring”, which could affect the operation of the circuit or even exceed the maximum voltage rating of the IC. To eliminate the ringing, insert a small tantalum capacitor (for instance, AVX part # TAJW686M010) on the pads between the input power and return terminals on the bottom of the demo board. The (greater) ESR of the tantalum will dampen the (possible) ringing voltage due to the use of long input leads. On a normal, typical PCB, with short traces, the capacitor is not needed.



**Figure 1. Measuring Input or Output Ripple**

# QUICK START GUIDE FOR DEMONSTRATION CIRCUIT 1336

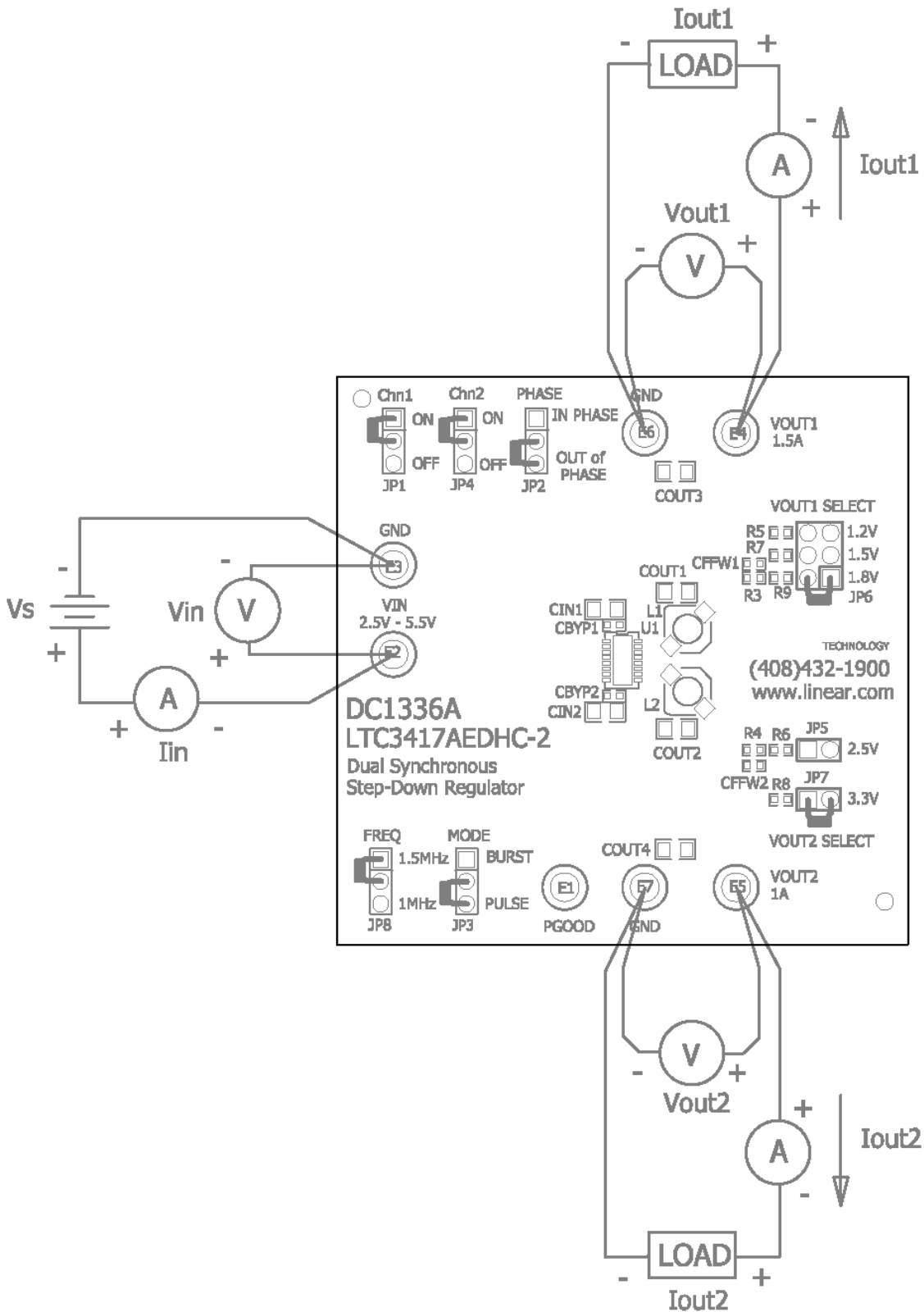
## DUAL SYNCHRONOUS, 1.5/1A, 4 MHz STEP-DOWN DC/DC REGULATOR

Table 1. Performance Summary ( $T_A = 25^\circ\text{C}$ )

PARAMETER		CONDITIONS	VALUE
Minimum Input Voltage			2.25V
Maximum Input Voltage			5.5V
Run/Shutdown		RUN(1, 2) pin = GND	Shutdown
		RUN(1, 2) pin = $V_{IN}$	Operating
Output Voltage $V_{OUT1}$		$V_{IN} = 2.25\text{V to } 5.5\text{V}$ , $I_{OUT1} = 0\text{A to } 1.5\text{A}$	$1.2\text{V} \pm 4\%$ (1.152V – 1.248V)
			$1.5\text{V} \pm 4\%$ (1.44V - 1.56V)
			$1.8\text{V} \pm 4\%$ (1.728V – 1.872V)
Typical Output Ripple $V_{OUT1}$		$V_{IN} = 5\text{V}$ , $I_{OUT1} = 1.5\text{ A}$ (20 MHz BW)	< 30mV <sub>P-P</sub>
Output Regulation $V_{OUT1}$		Line	$\pm 1\%$
		Load	$\pm 1.5\%$
Output Voltage $V_{OUT2}$		$V_{IN} = 2.25\text{V to } 5.5\text{V}$ , $I_{OUT2} = 0\text{A to } 1\text{A}$	$2.5\text{V} \pm 4\%$ (2.4V – 2.6V)
			$3.3\text{V} \pm 4\%$ (3.168V – 3.432V)
Typical Output Ripple $V_{OUT2}$		$V_{IN} = 5\text{V}$ , $I_{OUT2} = 1\text{ A}$ (20 MHz BW)	< 30mV <sub>P-P</sub>
Output Regulation $V_{OUT2}$		Line	$\pm 1\%$
		Load	$\pm 1.5\%$
Nominal Switching Frequencies		FREQ Pin connected to $R_T$ of 143k	1 MHz
		FREQ Pin = $V_{IN}$	1.5 MHz
Operation Modes		Burst Mode	Channel 1: $V_{in} = 5\text{V}$ , $V_{out1} = 1.8\text{V}$
			Channel 2: $V_{in} = 5\text{V}$ , $V_{out2} = 3.3\text{V}$
		Pulse-Skip	Channel 1: $V_{in} = 5\text{V}$ , $V_{out1} = 1.8\text{V}$
			Channel 2: $V_{in} = 5\text{V}$ , $V_{out2} = 3.3\text{V}$
Phase		Phase Pin = $V_{IN}$	In Phase
		Phase Pin = GND	Out-of-Phase

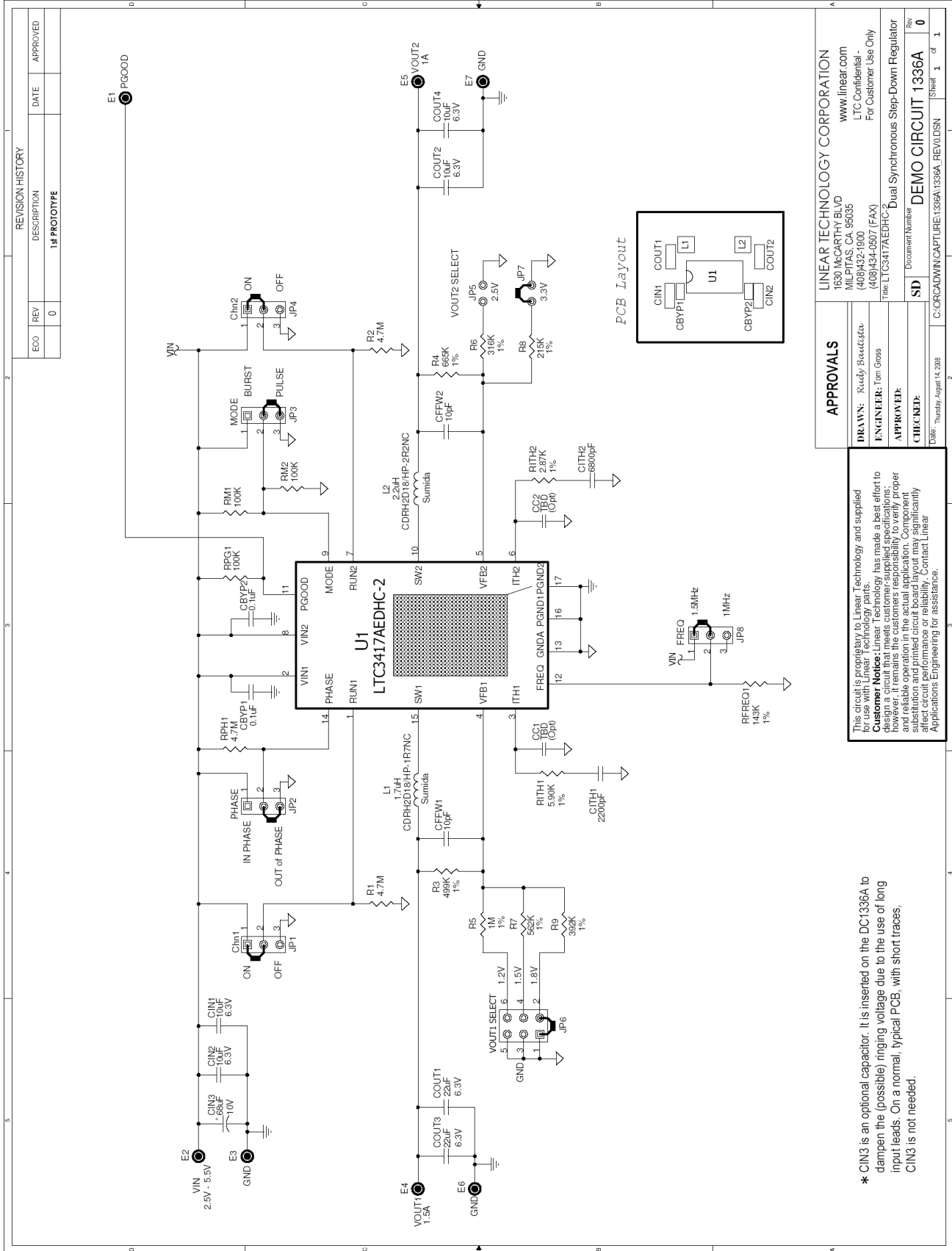
# QUICK START GUIDE FOR DEMONSTRATION CIRCUIT 1336

## DUAL SYNCHRONOUS, 1.5/1A, 4 MHz STEP-DOWN DC/DC REGULATOR



# QUICK START GUIDE FOR DEMONSTRATION CIRCUIT 1336

## DUAL SYNCHRONOUS, 1.5/1A, 4 MHz STEP-DOWN DC/DC REGULATOR



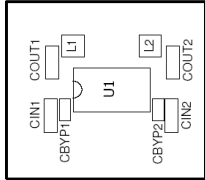
REVISION HISTORY		
ECO	REV	DESCRIPTION
	0	1st PROTOTYPE
		DATE
		APPROVED

APPROVALS	
DESIGNER:	Randy Sautter
ENGINEER:	Tom Gross
APPROVED:	
CHECKED:	
Date:	Monday, August 14, 2006
Document Number	SD
Product Name	Dual Synchronous Step-Down Regulator
Part Number	DEMO CIRCUIT 1336A
Rev	0
Sheet	1 of 1

This circuit is proprietary to Linear Technology and supplied as a design aid only. Linear Technology has made a best effort to design a circuit that meets customer-supplied specifications; however, it remains the customer's responsibility to verify proper and reliable operation in the actual application. Component substitution and printed circuit board layout may significantly affect performance. For more information, please contact Linear Applications Engineering for assistance.

\* CIN3 is an optional capacitor. It is inserted on the DC1336A to dampen the (possible) ringing voltage due to the use of long input leads. On a normal, typical PCB, with short traces, CIN3 is not needed.

PCB Layout



Компания «Океан Электроники» предлагает заключение долгосрочных отношений при поставках импортных электронных компонентов на взаимовыгодных условиях!

Наши преимущества:

- Поставка оригинальных импортных электронных компонентов напрямую с производств Америки, Европы и Азии, а так же с крупнейших складов мира;
- Широкая линейка поставок активных и пассивных импортных электронных компонентов (более 30 млн. наименований);
- Поставка сложных, дефицитных, либо снятых с производства позиций;
- Оперативные сроки поставки под заказ (от 5 рабочих дней);
- Экспресс доставка в любую точку России;
- Помощь Конструкторского Отдела и консультации квалифицированных инженеров;
- Техническая поддержка проекта, помощь в подборе аналогов, поставка прототипов;
- Поставка электронных компонентов под контролем ВП;
- Система менеджмента качества сертифицирована по Международному стандарту ISO 9001;
- При необходимости вся продукция военного и аэрокосмического назначения проходит испытания и сертификацию в лаборатории (по согласованию с заказчиком);
- Поставка специализированных компонентов военного и аэрокосмического уровня качества (Xilinx, Altera, Analog Devices, Intersil, Interpoint, Microsemi, Actel, Aeroflex, Peregrine, VPT, Syfer, Eurofarad, Texas Instruments, MS Kennedy, Miteq, Cobham, E2V, MA-COM, Hittite, Mini-Circuits, General Dynamics и др.);

Компания «Океан Электроники» является официальным дистрибьютором и эксклюзивным представителем в России одного из крупнейших производителей разъемов военного и аэрокосмического назначения «JONHON», а так же официальным дистрибьютором и эксклюзивным представителем в России производителя высокотехнологичных и надежных решений для передачи СВЧ сигналов «FORSTAR».



## JONHON

«JONHON» (основан в 1970 г.)

Разъемы специального, военного и аэрокосмического назначения:

(Применяются в военной, авиационной, аэрокосмической, морской, железнодорожной, горно- и нефтедобывающей отраслях промышленности)

«FORSTAR» (основан в 1998 г.)

ВЧ соединители, коаксиальные кабели, кабельные сборки и микроволновые компоненты:

(Применяются в телекоммуникациях гражданского и специального назначения, в средствах связи, РЛС, а так же военной, авиационной и аэрокосмической отраслях промышленности).



Телефон: 8 (812) 309-75-97 (многоканальный)

Факс: 8 (812) 320-03-32

Электронная почта: [ocean@oceanchips.ru](mailto:ocean@oceanchips.ru)

Web: <http://oceanchips.ru/>

Адрес: 198099, г. Санкт-Петербург, ул. Калинина, д. 2, корп. 4, лит. А