

# FAN6292CMX

## Secondary Side Synchronous Rectifier Controller for Flyback Converters

### Descriptions

The FAN6292CMX is a secondary-side synchronous rectifier (SR) controller for an isolated flyback converter operating in Discontinuous Conduction Mode (DCM). The adaptive dead time control algorithm minimizes the body diode conduction of SR MOSFET while guaranteeing stable and robust SR operation against noise and disturbance caused by the circuit parasitic.

When pair with FAN1080, PSR controller, FAN6292CMX can execute functions that are more valuable. Dynamic Response Enhancement (DRE) awakes primary controller quickly during load transient thus improves voltage dip.

FAN6292C are also source only USB Type-C controllers which are optimized for mobile chargers and power adapters. It supports standard 3 A VBUS current level is compatible as a load switch, and helps to reduce BOM cost.

### Features

- Support Discontinuous Conduction Modes (DCM) and Boundary Conduction Mode (BCM)
- Adaptive Turn-Off Dead Time Tuning for General SR MOSFET Application
- Turn-On Trigger Blanking Time (Minimum Gate OFF Time) for Improved Noise Immunity
- Dynamic Response Enhancement (DRE) Function to Improve System Dynamic Response
- Type-C Control for Standard 3 A VBUS Current Level
- N-Channel MOSFET Control as a Load Switch for USB Type-C
- Minimum Turn-On Delay (20 ns)
- Supporting General Output Voltage (VIN) Range : 3.25 V ~ 20 V for LDO Input
- Fewest External Component Allowed

### Applications

- Travel Adapter for Smart Phones, Feature Phones and Tablet PCs
- AC-DC Adapters for Portable Devices that Require CV/CC Control
- IoT Power Applications



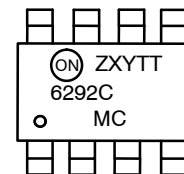
ON Semiconductor®

[www.onsemi.com](http://www.onsemi.com)



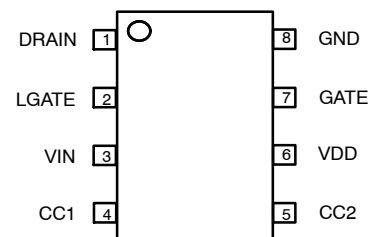
SOIC8  
CASE 751EB

### MARKING DIAGRAM



|       |                       |
|-------|-----------------------|
| Z     | = Assembly Plant Code |
| X     | = Year Code           |
| Y     | = Week Code           |
| TT    | = Die Run Code        |
| 6292C | = FAN6292C            |
| M     | = SOP                 |
| C     | = Manufacture Code    |

### PIN CONNECTIONS



### ORDERING INFORMATION

See detailed ordering and shipping information on page 2 of this data sheet.

# FAN6292CMX

## PACKAGE MARKING AND ORDERING INFORMATION

| Part Number | Operating Temperature | Package                | Packing Method   |
|-------------|-----------------------|------------------------|------------------|
| FAN6292CMX  | -40 to 85°C           | 8-Lead, SOIC (Pb-Free) | 2500/Tape & Reel |

†For information on tape and reel specifications, including part orientation and tape sizes, please refer to our Tape and Reel Packaging Specifications Brochure, BRD8011/D.

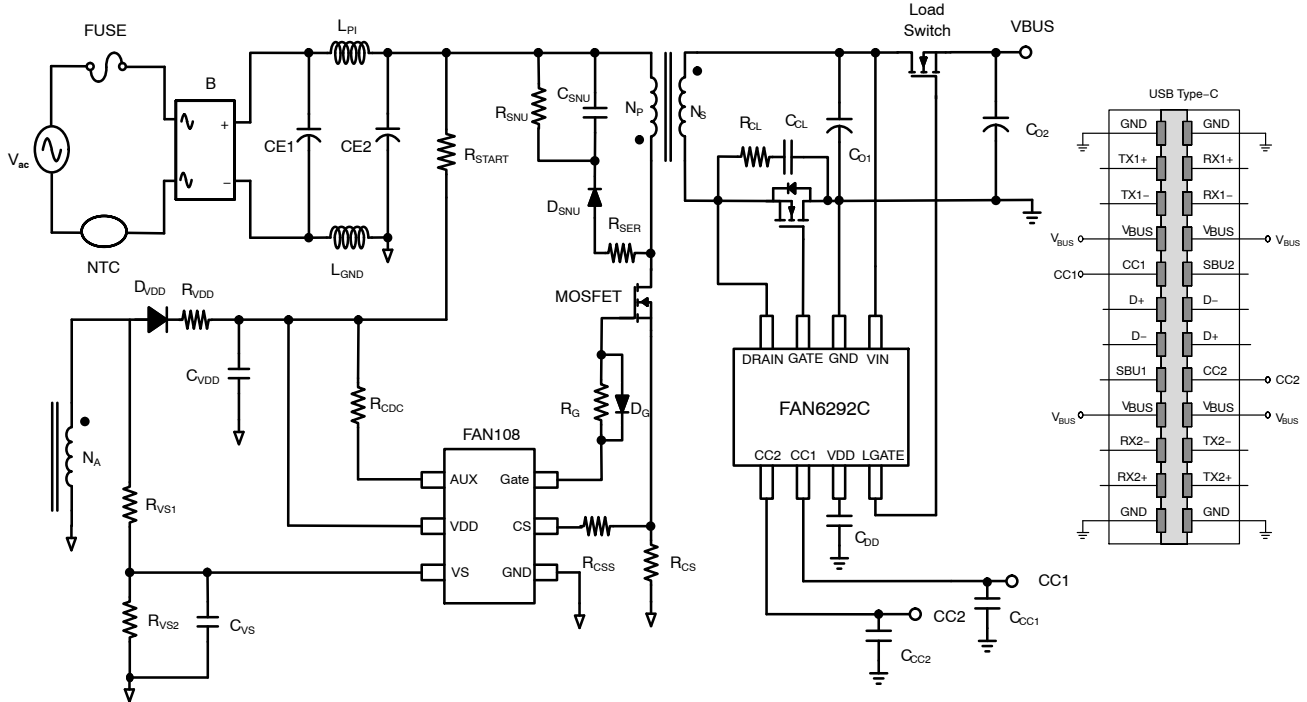


Figure 1. FAN6292C Typical Application Schematic

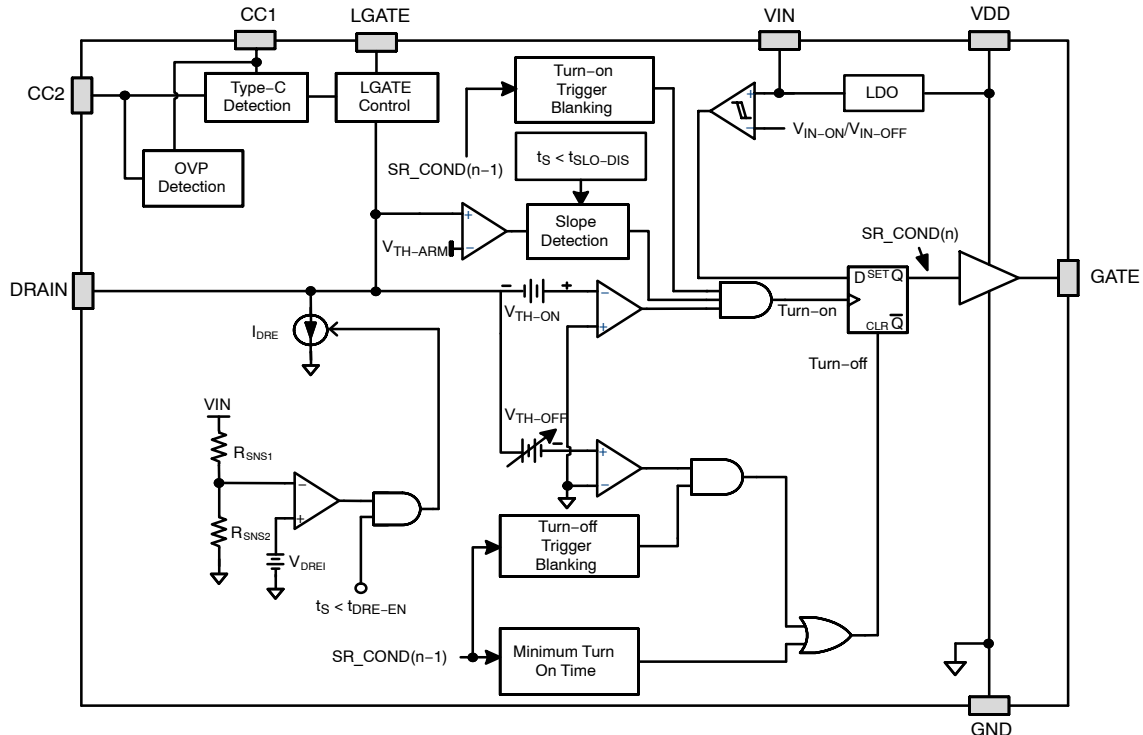


Figure 2. FAN6292C Function Block Diagram

# FAN6292CMX

**Table 1. PIN FUNCTION DESCRIPTION**

| Pin # | Name  | Description   |
|-------|-------|---|
| 1     | DRAIN | <b>Synchronous rectifier drain sense input.</b>   |
| 2     | LGATE | <b>Load switch controlling.</b>   |
| 3     | VIN   | <b>Input voltage pin.</b> This pin is connected to the output of the adaptor to monitor its output voltage and supply internal bias. IC operating current, and MOSFET gate drive current are supplied through this pin. |
| 4     | CC1   | <b>Configuration Channel 1.</b> This pin is used to detect connections of Type-C cables and connectors. It is tied to the USB-C CC1.  |
| 5     | CC2   | <b>Configuration Channel 2.</b> This pin is used to detect connections of Type-C cables and connectors. It is tied to the USB-C CC2.  |
| 6     | VDD   | <b>Internal regulator 5 V output</b> and gate drive power supply rail. Bypass with 1uF capacitor to GND.  |
| 7     | GATE  | <b>Gate driver output.</b>  |
| 8     | GND   | <b>Ground.</b>  |

**Table 2. ABSOLUTE MAXIMUM RATINGS**

| Symbol             | Parameter   | Value       | Unit |
|--------------------|---|-------------|------|
| V <sub>IN</sub>    | Power Supply Pin Voltage  | -0.3 to 20  | V    |
| V <sub>DRAIN</sub> | Drain Sense Pin Voltage   | -1 to 65    | V    |
| V <sub>LGATE</sub> | LGATE PIN Voltage   | -0.3 to 20  | V    |
| V <sub>DD</sub>    | Internal Regulator Pin Voltage                                  | -0.3 to 6.5 | V    |
| V <sub>GATE</sub>  | Gate Pin Voltage  | -0.3 to 6.5 | V    |
| V <sub>CC1</sub>   | CC1 Pin Input Voltage   | -0.3 to 6.0 | V    |
| V <sub>CC2</sub>   | CC2 Pin Input Voltage   | -0.3 to 6.0 | V    |
| P <sub>D</sub>     | Power Dissipation (T <sub>A</sub> = 25°C)                       | 0.651       | W    |
| T <sub>J</sub>     | Operation Junction Temperature                                  | -40 to 125  | °C   |
| T <sub>STG</sub>   | Storage Temperature Range                                       | -60 to 150  | °C   |
| T <sub>L</sub>     | Lead Temperature (Soldering) 10 Seconds                         | 260         | °C   |
| ESD                | Electrostatic Discharge Capability – Charged Device Model (CDM) | 0.5         | kV   |
|                    | Electrostatic Discharge Capability – Human Body Model (HBM)     | 2           |      |

Stresses exceeding those listed in the Maximum Ratings table may damage the device. If any of these limits are exceeded, device functionality should not be assumed, damage may occur and reliability may be affected.

1. All voltage values, except differential voltages, are given with respect to the GND pin.
2. Stresses beyond those listed under Absolute Maximum Ratings may cause permanent damage to the device.
3. Meets JEDEC standards JS-001-2012 and JESD 22-C101.

**Table 3. THERMAL CHARACTERISTICS**

| Symbol          | Parameter                             | Min   | Unit |
|-----------------|---------------------------------------|-------|------|
| θ <sub>JA</sub> | Junction-to-Ambient Thermal Impedance | 150.9 | °C/W |
| θ <sub>JT</sub> | Junction-to-Top Thermal Impedance     | 13.4  | °C/W |

4. T<sub>A</sub> = 25°C unless otherwise specified.

**Table 4. RECOMMENDED OPERATING RANGES**

| Symbol             | Parameter         | Min | Max  | Unit |
|--------------------|-------------------|-----|------|------|
| V <sub>DRAIN</sub> | Drain Pin Voltage | -1  | 60   | V    |
| V <sub>IN</sub>    | VIN Pin Voltage   | 3.5 | 20   | V    |
| V <sub>LGATE</sub> | LGATE Pin Voltage | 0   | 19.5 | V    |
| V <sub>GATE</sub>  | GATE Pin Voltage  | 0   | 5.5  | V    |

# FAN6292CMX

**Table 4. RECOMMENDED OPERATING RANGES** (continued)

| Symbol                           | Parameter           | Min | Max | Unit |
|----------------------------------|---------------------|-----|-----|------|
| V <sub>DD</sub>                  | VDD Pin Voltage     | 3.1 | 5.5 | V    |
| V <sub>CC1/V<sub>CC2</sub></sub> | CC1/CC2 Pin Voltage | 0   | 5.8 | V    |

Functional operation above the stresses listed in the Recommended Operating Ranges is not implied. Extended exposure to stresses beyond the Recommended Operating Ranges limits may affect device reliability.

**Table 5. ELECTRICAL CHARACTERISTICS**

V<sub>IN</sub> = 5.5 V and T<sub>A</sub> = -40°C to 125°C unless otherwise noted.

| Symbol | Parameter | Test Conditions | Min | Typ | Max | Unit |
|--------|-----------|-----------------|-----|-----|-----|------|
|--------|-----------|-----------------|-----|-----|-----|------|

**VDD SECTION**

|                     |                    |  |      |      |      |    |
|---------------------|--------------------|--|------|------|------|----|
| V <sub>IN-ON</sub>  | Turn-On Threshold  | V <sub>IN</sub> rising   | 3.06 | 3.15 | 3.25 | V  |
| V <sub>IN-OFF</sub> | Turn-Off Threshold | V <sub>IN</sub> falling  | 2.78 | 2.9  | 3.05 | V  |
| I <sub>IN-OP</sub>  | Operating Current  | f <sub>SW</sub> = 100 kHz, C <sub>GATE</sub> = 3.3 nF, V <sub>IN</sub> = 5 V |      | 2.5  | 3.2  | mA |

**POWER SUPPLY SECTION**

|                 |                             |   |     |      |     |   |
|-----------------|-----------------------------|---|-----|------|-----|---|
| V <sub>DD</sub> | Internal LDO Output Voltage | V <sub>IN</sub> = 20 V                            | 5.0 | 5.25 | 5.5 | V |
| V <sub>DO</sub> | Dropout Voltage of LDO      | I <sub>OUT</sub> = 10 mA, V <sub>IN</sub> = 3.3 V |     |      | 0.3 | V |

**DRAIN VOLTAGE SENSING SECTION**

|                      |  |   |      |      |      |    |
|----------------------|--|---|------|------|------|----|
| V <sub>OSI</sub>     | Comparator Input Offset Voltage (Note 5)             | Internal Design Suggestion  | -1   | 0    | 1    | mV |
| V <sub>TH-ON</sub>   | Turn-On Threshold Voltage                            | R <sub>DRAIN</sub> = 0 Ω (includes comparator input offset voltage)       | -250 | -200 | -150 | mV |
| t <sub>SLO-DIS</sub> | Slope Detection Disable Criteria (Note 7)            |   | 53   | 58   | 63   | μs |
| t <sub>SLO-HYS</sub> | Slope Detection Disable Criteria Hysteresis (Note 5) |   |      | 8    |      | μs |
| t <sub>ON-DLY</sub>  | Turn On Delay (Note 5)                               | With 50 mV overdrive<br>From V <sub>TH-ON</sub> to Gate voltage over 1 V  |      | 20   |      | ns |
| V <sub>TH-OFF</sub>  | Turn-Off Threshold Tuning Range                      |   | -5   |      | 5    | mV |
| t <sub>OFF-DLY</sub> | Comparator Delay for V <sub>TH-OFF</sub> (Note 5)    | With 0 mV overdrive<br>From V <sub>TH-OFF</sub> to Gate voltage equal 1 V |      | 20   |      | ns |
| V <sub>TH-ARM</sub>  | Gate Re-arming Threshold                             | V <sub>IN</sub> = 5 V (typically 0.7 V <sub>DD</sub> )                    | 3.3  | 3.5  | 3.7  | V  |
| t <sub>ARM</sub>     | Gate Re-arming Time for Slope Detection (Note 5)     |   | 70   | 85   | 100  | ns |
| V <sub>TH-HGH</sub>  | Slope Detection High Threshold (Note 5)              |   | 0.4  | 0.5  | 0.6  | V  |

**MINIMUM ON-TIME AND MINIMUM OFF-TIME SECTION**

|                        |  |   |      |      |      |        |
|------------------------|--|---|------|------|------|--------|
| t <sub>ON-MIN</sub>    | Minimum On-Time                                | t <sub>S</sub> < (t <sub>SLO-DIS</sub> - t <sub>SLO-HYS</sub> ) | 2.16 | 2.4  | 2.64 | μs     |
| t <sub>ON-MIN-L</sub>  | Minimum On-Time at Light Load                  | t <sub>S</sub> ≥ t <sub>SLO-DIS</sub>                           | 1.50 | 1.65 | 1.80 | μs     |
| N <sub>ON-MIN-ST</sub> | Minimum t <sub>ON</sub> Cycles during Start-up |   |      | 3    |      | Cycles |
| t <sub>OFF-MIN-L</sub> | Minimum Off-Time (Note 6)                      | t <sub>S</sub> < (t <sub>SLO-DIS</sub> - t <sub>SLO-HYS</sub> ) | 1.53 | 1.70 | 1.87 | μs     |
| t <sub>OFF-MIN-H</sub> | Minimum On-Time at Light Load (Note 6)         | t <sub>S</sub> ≥ t <sub>SLO-DIS</sub>                           | 3.6  | 4    | 4.4  | μs     |

**DEAD TIME CONTROL SECTION**

|                   |                                       |  |     |     |     |    |
|-------------------|---------------------------------------|--|-----|-----|-----|----|
| t <sub>DEAD</sub> | Dead Time Self-Tuning Target (Note 5) | From GATE OFF to V <sub>DRAIN</sub> rising above 0.5 V | 170 | 200 | 230 | ns |
|-------------------|---------------------------------------|--|-----|-----|-----|----|

# FAN6292CMX

**Table 5. ELECTRICAL CHARACTERISTICS** (continued)

$V_{IN} = 5.5\text{ V}$  and  $T_A = -40^\circ\text{C}$  to  $125^\circ\text{C}$  unless otherwise noted.

| Symbol                   | Parameter                                     | Test Conditions  | Min  | Typ  | Max  | Unit             |
|--------------------------|---|--|------|------|------|------------------|
| <b>TYPE-C SECTION</b>    |   |  |      |      |      |                  |
| $V_{LGATE-ON}$           | Drain Pin Threshold Voltage for LGATE Turn On |  | 6.8  | 7.5  | 8.2  | V                |
| $I_{P-CC1}$              | Source Current on CC1 Pin                     | $V_{IN} = 5\text{ V}, V_{CC1} = 0\text{ V}$                        | 304  | 330  | 356  | $\mu\text{A}$    |
| $I_{P-CC2}$              | Source Current on CC2 Pin                     | $V_{IN} = 5\text{ V}, V_{CC2} = 0\text{ V}$                        | 304  | 330  | 356  | $\mu\text{A}$    |
| $Z_{OPEN-CC1}$           | Input Impedance on CC1 Pin                    |  | 126  |      |      | $\text{k}\Omega$ |
| $Z_{OPEN-CC2}$           | Input Impedance on CC2 Pin                    |  | 126  |      |      | $\text{k}\Omega$ |
| $V_{RA-CC1}$             | Ra Impedance Detection Threshold on CC1 Pin   | $V_{IN} = 5\text{ V}, V_{CC2} = 0\text{ V}$ , decreasing $V_{CC1}$ | 0.75 | 0.80 | 0.85 | V                |
| $V_{RA-CC2}$             | Ra Impedance Detection Threshold on CC2 Pin   | $V_{IN} = 5\text{ V}, V_{CC1} = 0\text{ V}$ , decreasing $V_{CC2}$ | 0.75 | 0.80 | 0.85 | V                |
| $V_{RD-CC1}$             | Rd Impedance Detection Threshold on CC1 Pin   | $V_{IN} = 5\text{ V}, V_{CC2} = 0\text{ V}$ , increasing $V_{CC1}$ | 2.45 | 2.60 | 2.75 | V                |
| $V_{RD-CC2}$             | Rd Impedance Detection Threshold on CC2 Pin   | $V_{IN} = 5\text{ V}, V_{CC1} = 0\text{ V}$ , increasing $V_{CC2}$ | 2.45 | 2.60 | 2.75 | V                |
| $t_{CC-Detach-Debounce}$ | UFP Detachment Debounce Time                  | $V_{IN} = 5\text{ V}, V_{CC2} = 0\text{ V}$ , decreasing $V_{CC1}$ | 10   | 15   | 20   | ms               |
| $t_{CC-Attach-Debounce}$ | UFP Attachment Debounce Time                  | $V_{IN} = 5\text{ V}, V_{CC2} = 0\text{ V}$ , increasing $V_{CC1}$ | 100  | 150  | 200  | ms               |
| $V_{INGATE}$             | LGATE High Voltage for Load Switch Control    | $V_{IN} = 5\text{ V}$  | 8    |      | 11   | V                |

## DRE SECTION

|              |   |  |      |      |      |               |
|--------------|---|--|------|------|------|---------------|
| $V_{DRE}$    | VIN Pin DRE Function Trigger Level (Note 6) | $V_{IN} = 5.5\text{ V} \rightarrow 4.5\text{ V}$           | 4.68 | 4.78 | 4.85 | V             |
| $t_{DREI}$   | DRE Current Sinking Period (Note 5)         | $V_{IN} = 5.5\text{ V} \rightarrow 4.5\text{ V}$           | 1.2  | 1.5  | 1.8  | $\mu\text{s}$ |
| $t_{DRE-EN}$ | DRE Enable Period                           | $V_{IN} = 5.5\text{ V} \rightarrow 4.5\text{ V}$           | 64   | 72   | 80   | $\mu\text{s}$ |
| $t_{RE-ARM}$ | DRE Re-arm Period                           | $V_{IN} = 5.5\text{ V} \rightarrow 4.5\text{ V}$           |      | 4    |      | $\mu\text{s}$ |
| $I_{DRE}$    | DRE Sinking Current                         | Maximum $I_{DRE}$ cycle are 14 every gate switching cycles | 50   |      |      | mA            |

## OUTPUT DRIVER SECTION

|          |                   |   |     |  |      |    |
|----------|-------------------|---|-----|--|------|----|
| $V_{OL}$ | Gate Low Voltage  | $V_{IN} = 6\text{ V}$   |     |  | 0.25 | V  |
| $V_{OH}$ | Gate High Voltage | $V_{IN} = 6\text{ V}$   | 4.9 |  |      | V  |
| $t_R$    | Gate Rise Time    | $V_{IN} = 6\text{ V}, C_L = 3300\text{ pF}$ ,<br>GATE = 1 V $\rightarrow$ 4 V |     |  | 90   | ns |
| $t_F$    | Gate Fall Time    | $V_{IN} = 6\text{ V}, C_L = 3300\text{ pF}$ ,<br>GATE = 4 V $\rightarrow$ 1 V |     |  | 30   | ns |

Product parametric performance is indicated in the Electrical Characteristics for the listed test conditions, unless otherwise noted. Product performance may not be indicated by the Electrical Characteristics if operated under different conditions.

5. Guaranteed by Design.

6. Specification operation temperature range  $-5^\circ\text{C}$  to  $85^\circ\text{C}$ .

7. Specification operation temperature range  $-5^\circ\text{C}$  to  $50^\circ\text{C}$ .

TYPICAL PERFORMANCE CHARACTERISTICS

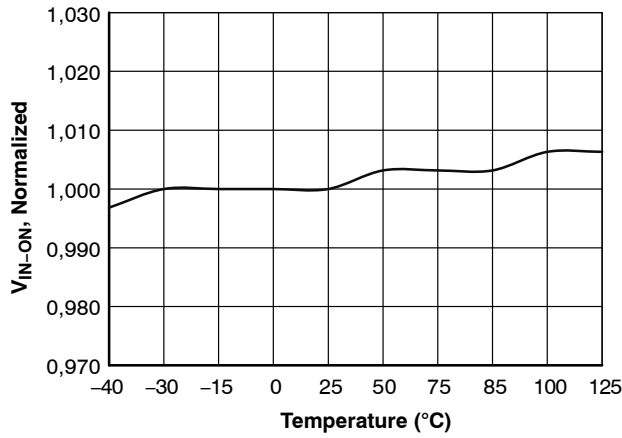


Figure 3. Turn-On Threshold Voltage ( $V_{IN-ON}$ ) vs. Temperature

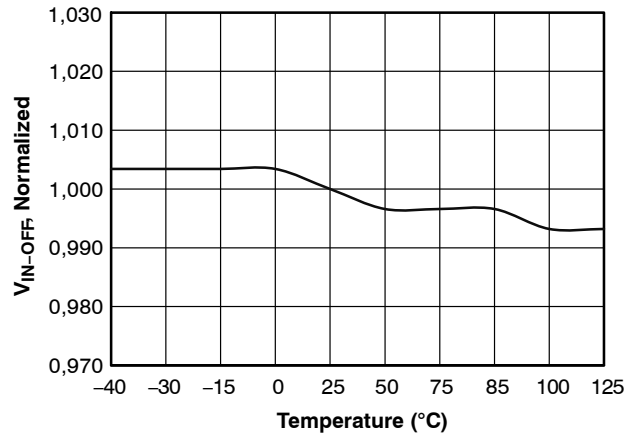


Figure 4. Turn-Off Threshold Voltage ( $V_{IN-OFF}$ ) vs. Temperature

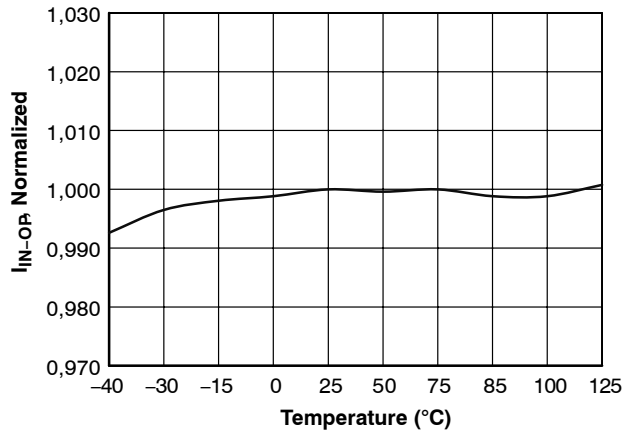


Figure 5. Operating Supply Current ( $I_{IN-OP}$ ) vs. Temperature

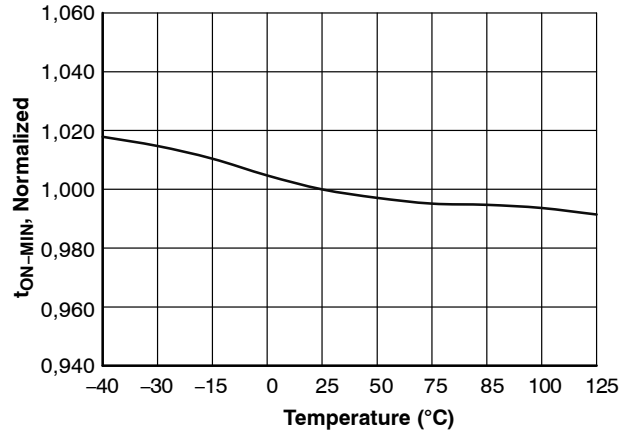


Figure 6. Minimum On Time ( $t_{ON-MIN}$ ) vs. Temperature

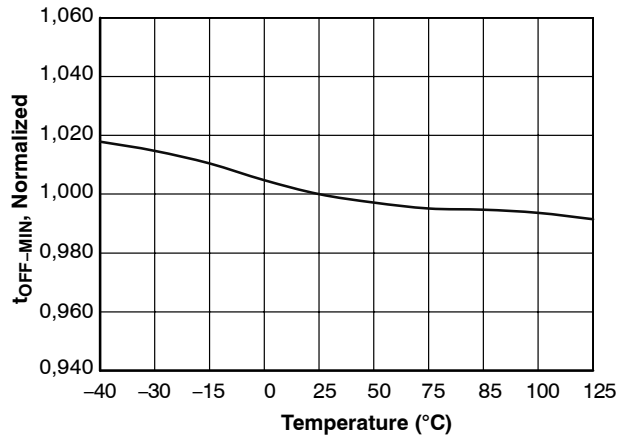


Figure 7. Minimum Gate Turn Off Time ( $t_{OFF-MIN}$ ) vs. Temperature

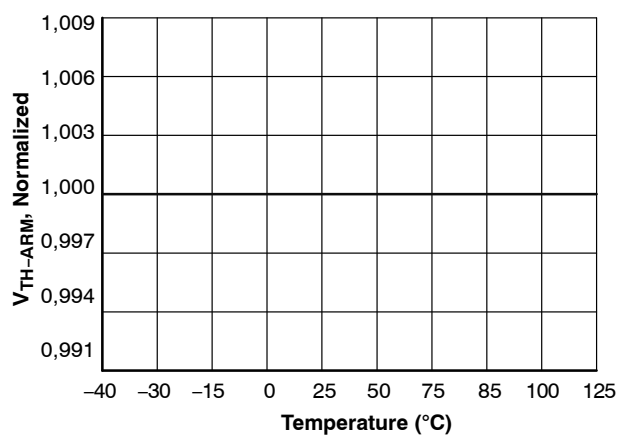


Figure 8. Gate Turn On Threshold Voltage ( $V_{TH-ARM}$ ) vs. Temperature

TYPICAL PERFORMANCE CHARACTERISTICS (continued)

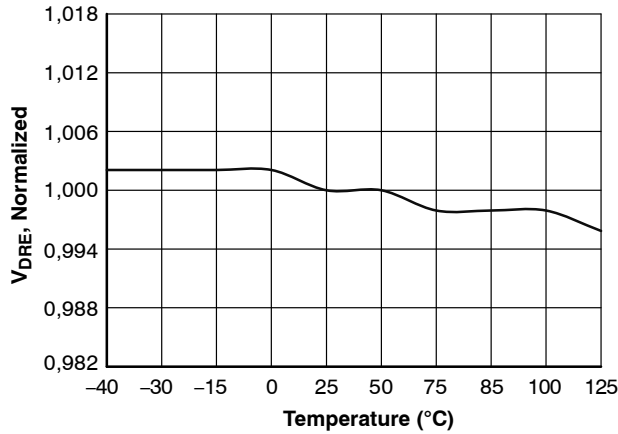


Figure 9. VIN Pin DRE Function Trigger Level (V<sub>DRE</sub>) vs. Temperature

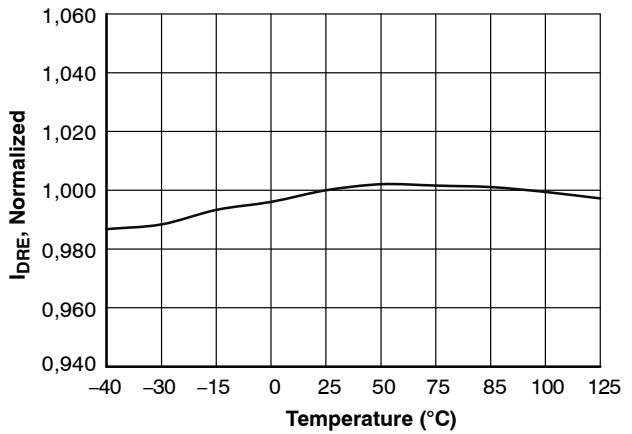


Figure 10. Drain Pin Sinking Current for DRE Triggered (I<sub>DRE</sub>) vs. Temperature

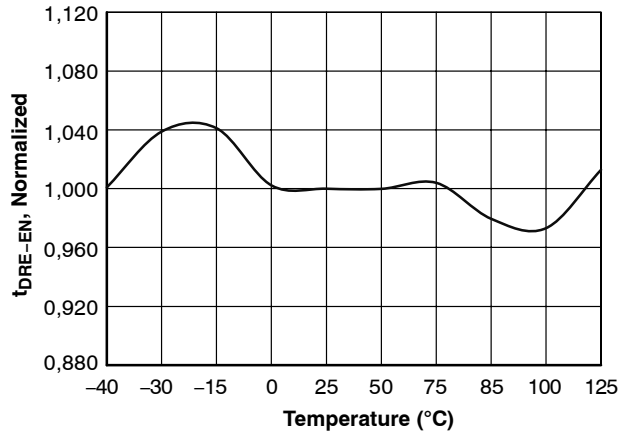


Figure 11. DRE Function Enable Period (t<sub>DRE-EN</sub>) vs. Temperature

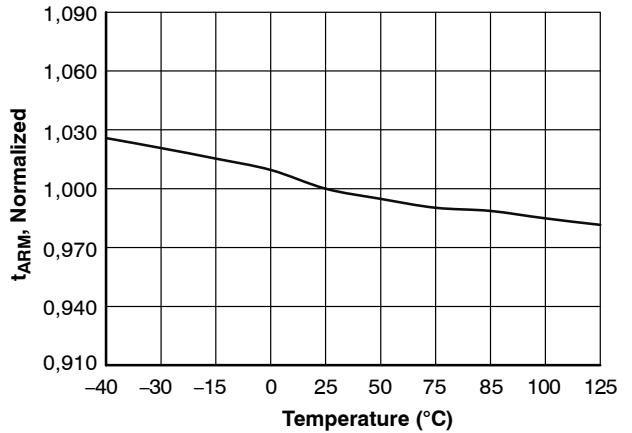


Figure 12. Gate Re-Arming Time for Slope Detection (t<sub>ARM</sub>) vs. Temperature

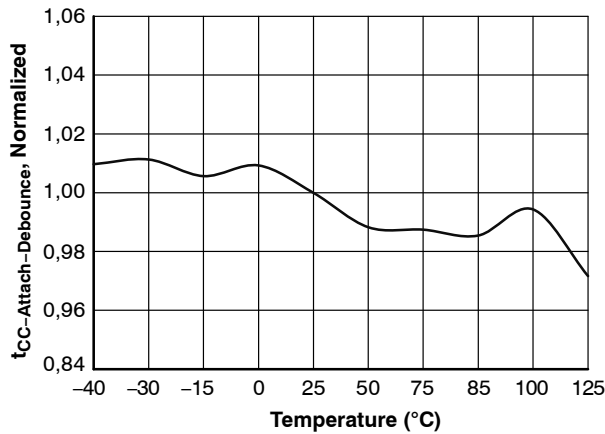


Figure 13. UFP Attachment Debounce Time (t<sub>CC-Attach-Debounce</sub>) vs. Temperature

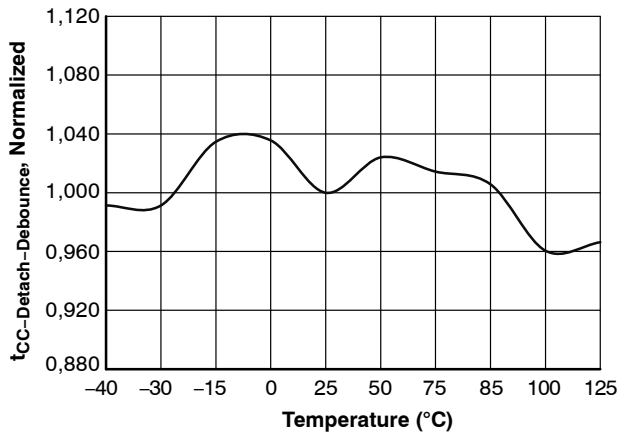


Figure 14. UFP Detachment Debounce Time (t<sub>CC-Detach-Debounce</sub>) vs. Temperature

TYPICAL PERFORMANCE CHARACTERISTICS (continued)

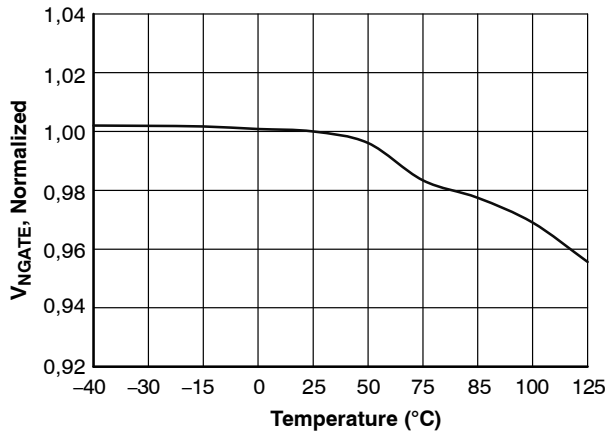


Figure 15. LGATE High Level Voltage (V<sub>NGATE</sub>) vs. Temperature

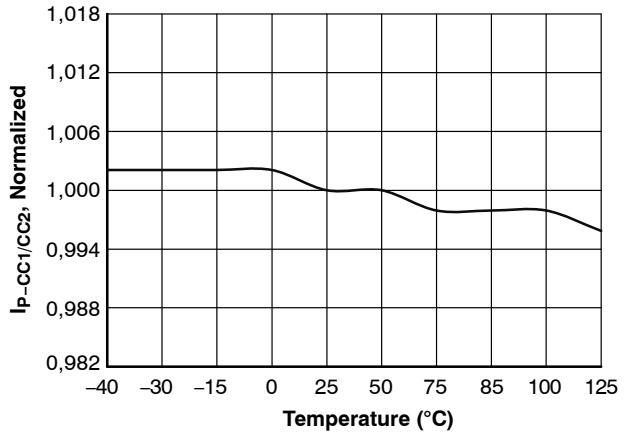


Figure 16. Source Current on CC1/CC2 Pin (I<sub>P-CC1/CC2</sub>) vs. Temperature

FUNCTIONAL DESCRIPTION

Overview

For an ideal circuit operation, the SR control algorithm of FAN6292C is very straightforward. FAN6292C controls the SR MOSFET based on the instantaneous Drain-to-Source voltage as illustrated in Figure 17. When the body diode starts conducting, the drain-to-source voltage drops below the turn-on threshold (V<sub>TH-ON</sub>) which triggers the turn-on of the gate. Then the product of R<sub>DS-ON</sub> and instantaneous SR current determines the Drain-to-Source voltage. When the drain-to-source voltage reaches the turn-off threshold (V<sub>TH-OFF</sub>) as SR MOSFET current decreases to near zero, FAN6292C turns off the gate. If the turn off threshold (V<sub>TH-OFF</sub>) is very close to zero, the turn off dead time can be minimized.

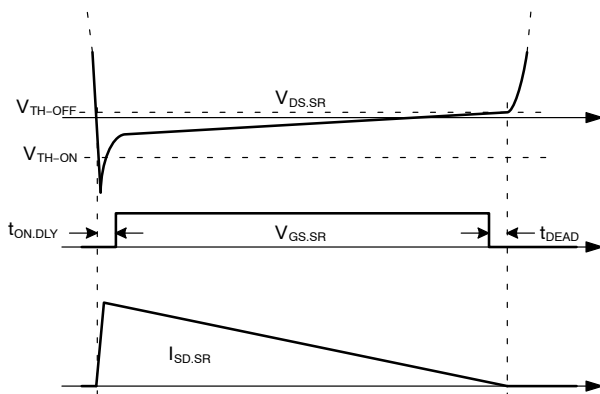


Figure 17. SR MOSFET Operation Waveforms (Ideal Case)

SR Turn-On Algorithm

As the diagram shown in Figure 18, the turn-on of SR GATE is triggered by the three input signals of AND gate. The first input signal is TURN\_ON\_ALLOW signal, which is given after t<sub>OFF-MIN</sub> from the falling edge of V<sub>GS,SR</sub> signal. The second input is the TURN\_ON\_TRG signal, which is enabled after DRAIN pin voltage drops below V<sub>TH-ON</sub>. The third signal is t<sub>ARM</sub> which allows turn-on trigger only when SR drain voltage drops fast with a large slope, preventing SR from triggering by the drain resonance voltage in DCM operation.

SR Turn-Off Algorithm

As diagram shown in Figure 19, the turn-off of SR GATE is triggered by turn off signal, which is enabled when V<sub>DS,SR</sub> > V<sub>TH-OFF</sub>.



# FAN6292CMX

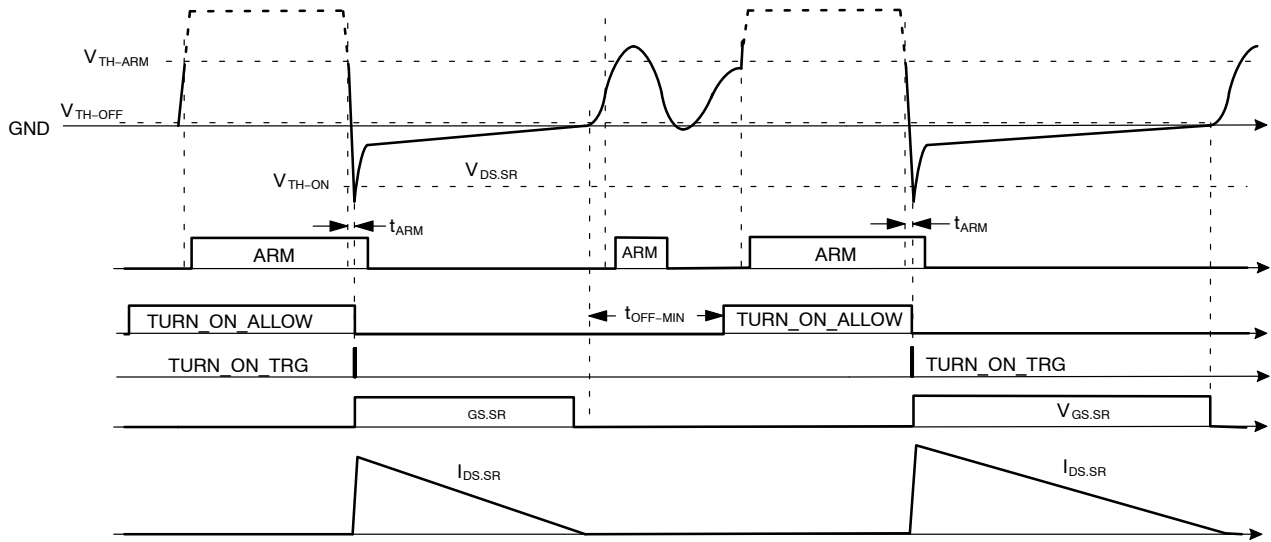


Figure 18. SR Turn-On Algorithm

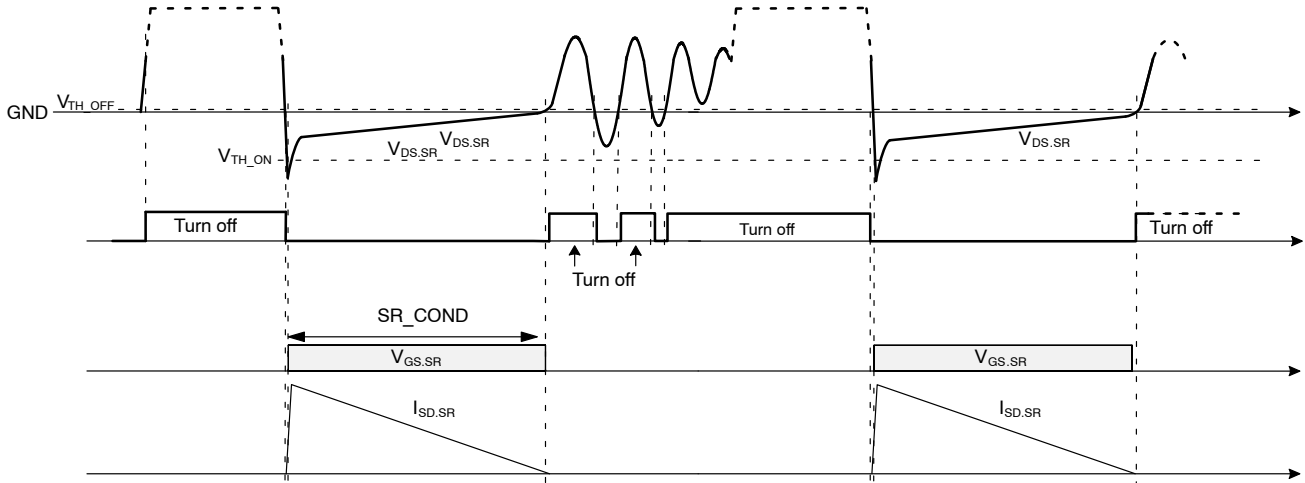


Figure 19. SR Turn-Off Algorithm

## Slope Detection

FAN6292C checks SR drain voltage falling slope to distinguish primary FET off instant from the resonant curve. Continuously sees the time gap between SR drain voltage touches  $V_{TH-ARM}$  and  $V_{TH-ON}$ , this is compared with the internal fixed time of  $t_{ARM}$ , gate is only turn on when the time gap is less than  $t_{ARM}$  described at Figure 20.

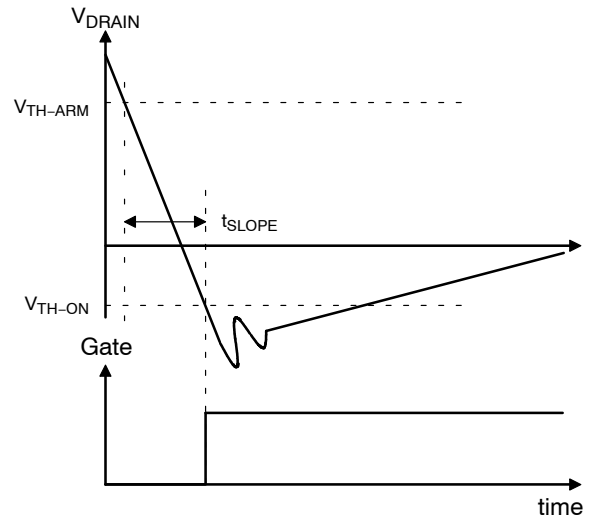


Figure 20. Slope Detection Timing Chart

Slope detection is good for identification SR on instance from the resonance, however, system configuration may give huge impact on the SR drain voltage so slope detection is not always good way for gate ON identification especially at light load. Due to this at light load, slope detection is enabled or disabled depend on period of Gate switching cycles ( $t_s$ ) as below:

- $t_s < (t_{SLO-DIS} - t_{SLO-HYS})$ : continually enable slope detection when  $t_s$  is decreasing
- $t_s \geq t_{SLO-DIS}$ : basically slope detection is disabled and only enabled after gate rising edge until end of  $t_{DRE-EN}$  when  $t_s$  increasing

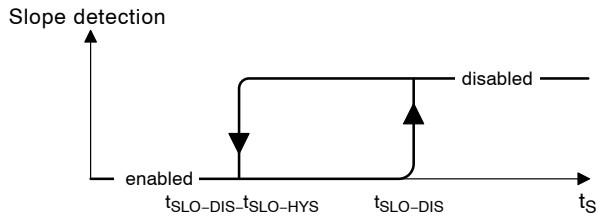


Figure 21. Slope Detect Enable/Disable Depend on  $t_s$

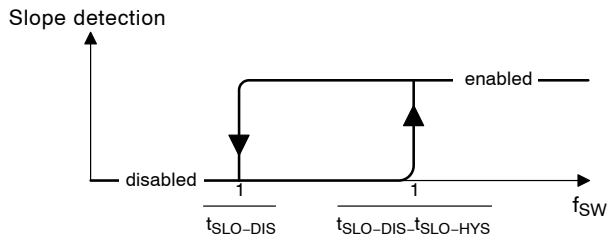


Figure 22. Slope Detect Enable/Disable Depend on  $f_{sw}$

**Gate Turn-On**

FAN6292C turns on SR FET according to the voltage across SR drain and primary switching period of  $t_s$ . Depending on the  $t_s$ , gate turn on criteria is different and it is as below:

- $t_s < t_{SLO-DIS}$ : SR FET ON when both (a) and (b) meet:
  - (a)  $V_{DRAIN}$  falling time from  $V_{TH-ARM}$  to  $V_{TH-ON}$  is less than  $t_{ARM}$
  - (b)  $V_{DRAIN} \leq V_{TH-ON}$
- $t_s < (t_{SLO-DIS} - t_{SLO-HYS})$ : SR FET ON when meet:  $V_{DRAIN} \leq V_{TH-ON}$

**Gate Turn-On Blanking Time**

FAN6292C supports Primary Side Regulation (PSR) operation with Discontinuous Conduction Mode (DCM) and Boundary Conduction Mode (BCM) and the typical operating of Quasi-Resonant valley switching to make the best balance between efficiency and Electro Magnetic Interference (EMI).

Together with slope detection, FAN6292C has a GATE turn on blanking time to avoid SR FET mis-triggered turn on at the first Quasi-Resonant cycle. Blanking time lengths depend on last Gate-to-Gate pulse period. The resonance period is decided by the parasitic capacitance summed at primary side and magnetizing inductance and normally is fixed once system configured but this changes as load changes, typically getting longer as load decreases. This is caused by the parasitic capacitances varies depending on voltage and stored energy at the transformer.

To corresponds this change, FAN6292C adjust minimum OFF time ( $t_{OFF-MIN}$ ) depend on loading condition. Similar as slope detection, when  $t_s$  is shorter than  $t_{SLO-DIS}$ ,  $t_{OFF-MIN}$  becomes  $t_{OFF-MIN-H}$  and when  $t_s$  is longer than  $t_{SLO-DIS}$  with a hysteresis then  $t_{OFF-MIN}$  becomes  $t_{OFF-MIN-L}$ .

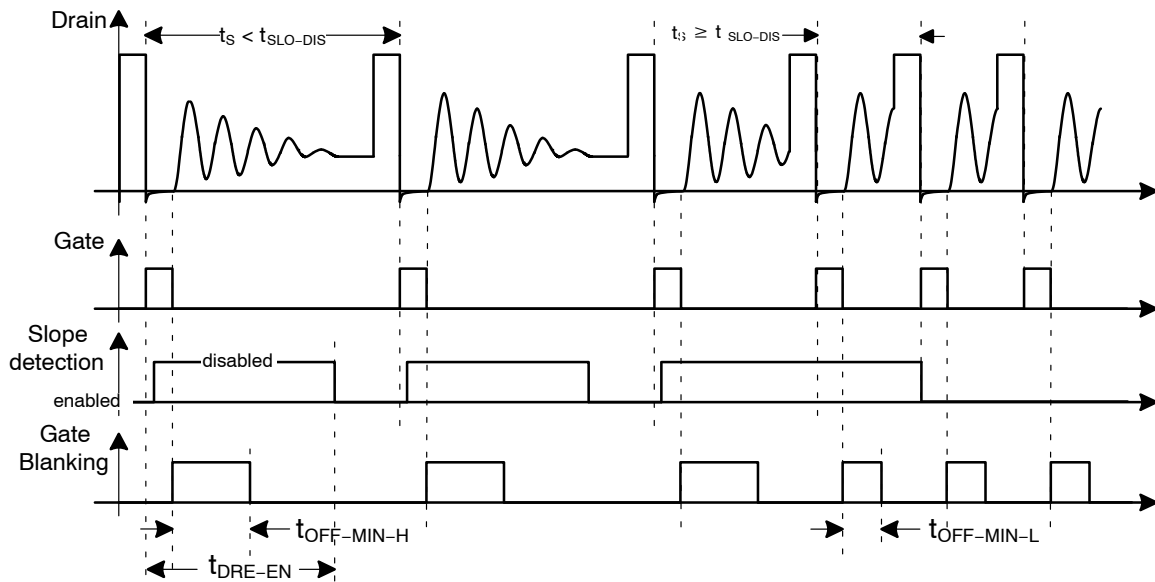


Figure 23. SR Conduction Timing Chart

**Gate Turn-Off (Dead Time Self Tuning)**

SR controller should turn on SR FET until the secondary discharging current become zero to avoid body diode conduction. Because the conduction loss of body diode is much higher than FET conduction loss. Therefore, the OFF dead time between SR off and magnetizing current become zero is recommended to minimized. But too small OFF dead time may raise the risk of SR FET and primary FET turn on simultaneously and too longer OFF dead time deteriorates the primary auxiliary winding voltage and gives impact on the PSR detection function. So proper value of OFF dead time is needed.

It is possible that offset voltages are induced by the stray inductance by the bonding wires inside MOSFET package and PCB layout. Therefore, it is very difficult to maintain the same OFF dead time against all the circuit tolerances and variation of operating condition. In order to control MOSFET turn off when the secondary magnetizing current is near zero, FAN6292C build-in OFF dead time self-tuning, which has adaptively changing internal turn off thresholds. The off threshold,  $V_{TH-OFF}$ , is modulated between 32 steps through internal up/down counter. FAN6292C measures OFF dead time from gate falling edge to drain voltage reaches  $V_{TH-HGH}$  and compares with internal timing threshold  $t_{DEAD}$ . When  $t_{DEAD\_OFF} > t_{DEAD}$  then internal counter increases one-step and gate turned off a little delayed at next switching cycle.

**Start-Up Operation**

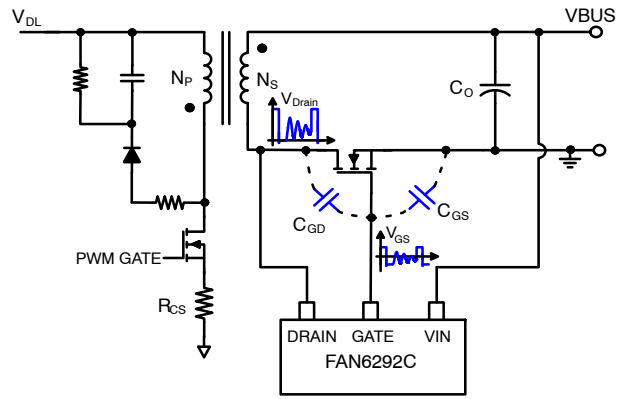
FAN6292C supplies internal circuit power through VIN pin, there is integrate Low Drop Out (LDO) regulator to regulate internal voltage not exceed 5.5 V. In typical application, FAN6292C VIN pin is connect to VBUS of USB port so VIN gradually increases, FAN6292C start operation when VIN touches  $V_{IN-ON}$  and stop operation when VIN drop to  $V_{IN-OFF}$ .

Accordingly, even before FAN6292C start to working, primary side is normally working and it gives impact on the secondary side. When primary FET turns on, the voltage cross over the primary winding becomes AC input voltage and it gives secondary winding voltage based on primary and secondary turn ratio.

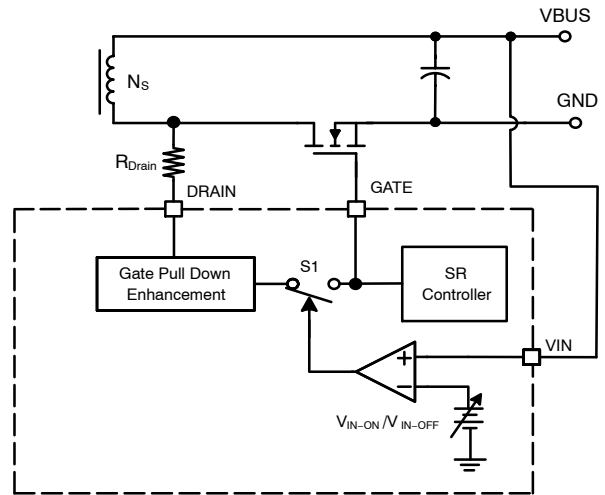
Once SR FET drain voltage is generated by the primary switching, the voltage will be divided by the capacitance of SR FET and some amount of voltage can be shown at the SR FET gate as in the Figure 24 and below equation.

$$V_{GS\_SR} = \frac{C_{GD}}{C_{GD} + C_{GS}} \times V_{Drain} \quad (eq. 1)$$

If the divided gate voltage is higher than SR FET turn-on threshold ( $V_{GS\_TH}$ ) then SR FET can be turned on and this may make primary FET turn on and SR FET turn on simultaneously. In order to avoid mis-turn on SR FET, even before VIN voltage reaches  $V_{IN-ON}$ , FAN6292C pulls down the gate voltage to GND by using drain voltage.



**Figure 24. Gate Coupling Signal Via Practice Capacitance**



**Figure 25. Gate Clamping Function Block Before FAN6292C Start-Up Operation**

**Dynamic Response Enhancement (DRE)**

In PSR system control, the output voltage is regulated through detecting proportional voltage of auxiliary winding (VS) which is reflected from secondary winding. However VS signal can only generate and detects when primary side PWM switched. To get better standby power performance, the switching frequency is decreased to quite low frequency, the output voltage cannot be maintain as load suddenly increases from extremely light load to heavy load.

In order to enhance load transient response time when primary switching frequency is much slower, FAN6292C build-in Dynamic Response Enhancement (DRE) function that continues monitor VIN pin voltage. FAN6292C generate a sinking current pulse from Drain of MOSFET to GND when VIN pin voltage is lower than threshold  $V_{DRE}$ . The DRE sinking current which period is  $t_{DER1}$  and current level is  $I_{DRE}$  at Drain pin. The  $I_{DRE}$  current flowing loop is depicted in the Figure 26 as a blue line and this informs the primary controller that output voltage drops lower than  $V_{DRE}$  at any loading condition.

In order to give enough detection time window of primary controller FAN6292C enables DRE when primary switching frequency is low enough, FAN6292C starts counting from SR gate rising edge and DRE is enabled when the counted time is longer than  $t_{DRE-EN}$ . DRE function generates sinking current ( $I_{DRE}$ ) for  $t_{DREI}$  every 4us ( $t_{RE-ARM}$ ) until get drain rising edge signal when the primary PWM MOSFET gate turns on. Figure 27 shows DRE function timing chart.

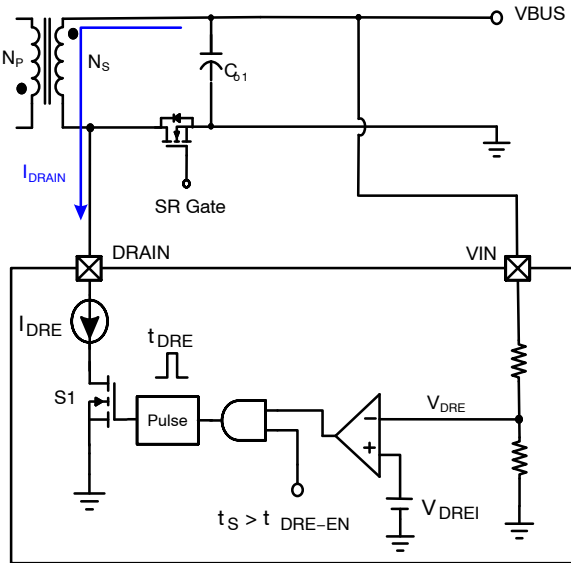


Figure 26. DRE Internal Function Block

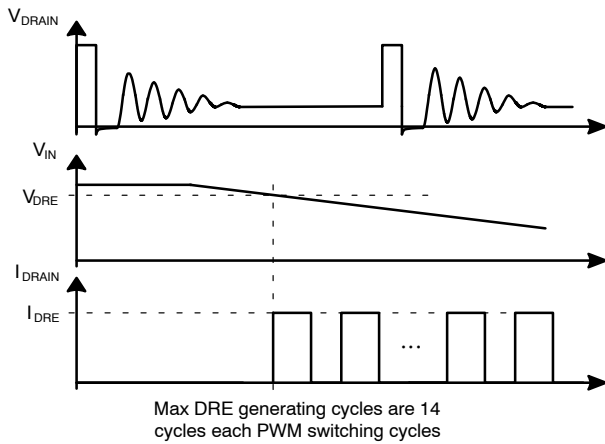


Figure 27. DRE Function Active Sequence

**Type-C Control Function Description**

FAN6292C implements Type-C block to enable and disable an external load switch. Internally adapted charge pump lets FAN6292C control N-channel MOSFET as a load switch. It helps whole system be more cost competitive compared to P-channel MOSFET as a load switch.

FAN6292C supports output current up to 3 A. In order to meet Type-C specification, 330  $\mu$ A is applied on CC1 pin and CC2 pin. When  $R_d$  (5.1 k $\Omega$ ) is attached on either CC1 or CC2, Load switch is turned-on after 150 ms denounce time. As soon as load switch is enabled, BC1.2 counter is enabled. To acknowledge detachment, it needs 15 ms denounce time. When load switch is turned-off.

**PCB Layout Guidance**

Figure 28 shows the connection path of each loop at secondary side. The PCB layout was recommended as below:

- **Path1** is connected between Drain of MOSFET and FAN6292C DRAIN pin, trace length is needed as short as possible.  $R_{DRAIN}$  could help on the drain pin ESD capability but should be less than 30 W to make sure DRE function.
- GND path needs separate as three paths: **Path2**, **Path3** and **Path4**. FAN6292C detects Drain to source voltage of SR MOSFET via DRAIN pin and GND pin. Therefore FAN6292C GND pin needs connect to GND of  $C_{O1}$  directly then goes to Source of SR MOSFET. **The path2 connection should be IC GND  $\rightarrow$   $C_{O1}$   $\rightarrow$  Source pin of SR MOSFET.** **Path3** is connected to GND of  $C_{O1}$ ,  $C_{O2}$ , and USB port after Path 2. **Path4** is connected IC GND and all component are needed connect to GND.
- **Path6** is connected secondary winding and SR MOSFET, It's trace length needs as short as possible to avoid switching noise coupling.

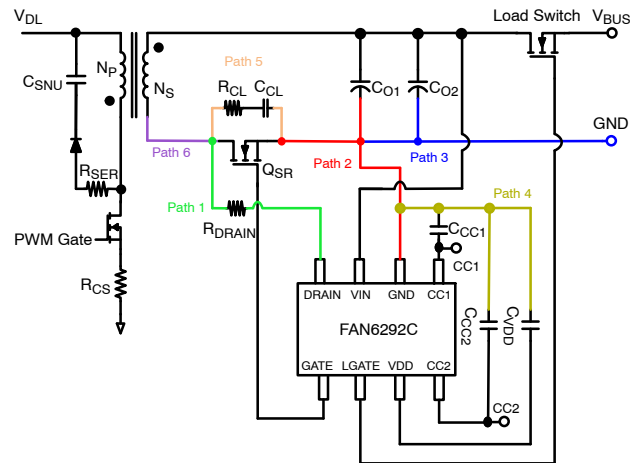
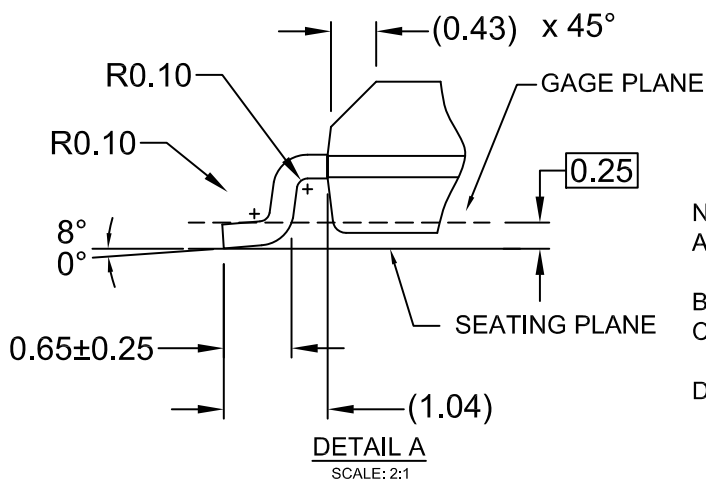
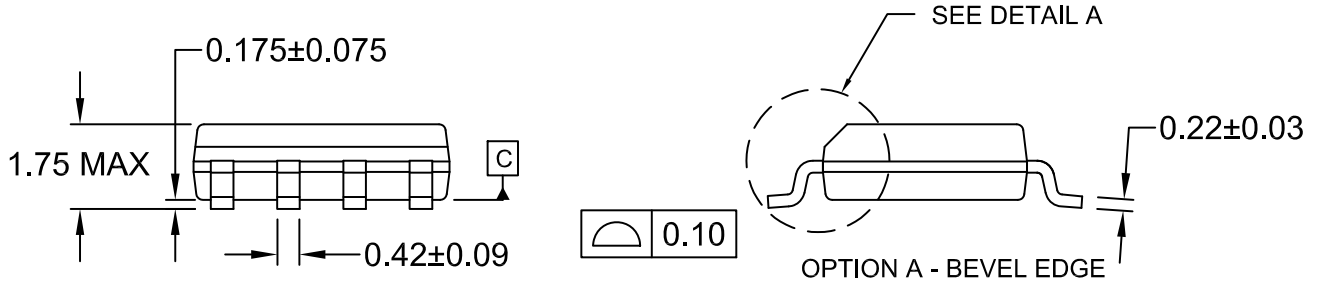
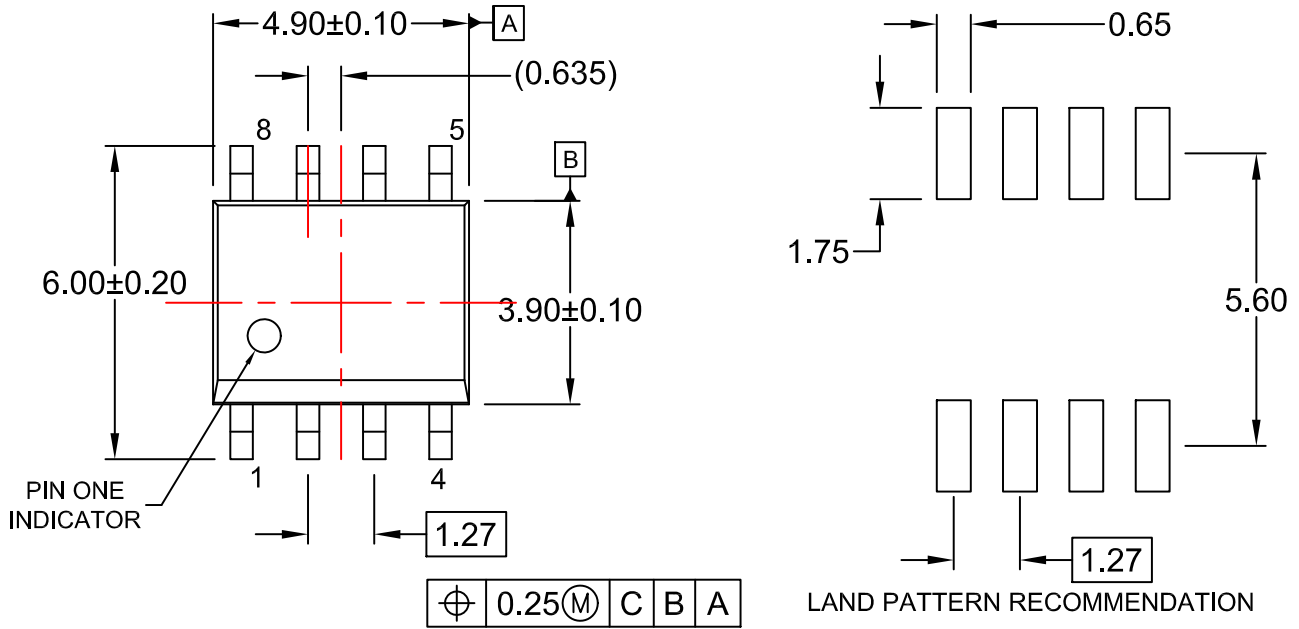


Figure 28. PCB Layout Guideline

# FAN6292CMX


## PACKAGE DIMENSIONS

SOIC8  
CASE 751EB  
ISSUE A



- NOTES:
- A) THIS PACKAGE CONFORMS TO JEDEC MS-012, VARIATION AA.
  - B) ALL DIMENSIONS ARE IN MILLIMETERS.
  - C) DIMENSIONS DO NOT INCLUDE MOLD FLASH OR BURRS.
  - D) LANDPATTERN STANDARD: SOIC127P600X175-8M

# FAN6292CMX

ON Semiconductor and  are trademarks of Semiconductor Components Industries, LLC dba ON Semiconductor or its subsidiaries in the United States and/or other countries. ON Semiconductor owns the rights to a number of patents, trademarks, copyrights, trade secrets, and other intellectual property. A listing of ON Semiconductor's product/patent coverage may be accessed at [www.onsemi.com/site/pdf/Patent-Marking.pdf](http://www.onsemi.com/site/pdf/Patent-Marking.pdf). ON Semiconductor reserves the right to make changes without further notice to any products herein. ON Semiconductor makes no warranty, representation or guarantee regarding the suitability of its products for any particular purpose, nor does ON Semiconductor assume any liability arising out of the application or use of any product or circuit, and specifically disclaims any and all liability, including without limitation special, consequential or incidental damages. Buyer is responsible for its products and applications using ON Semiconductor products, including compliance with all laws, regulations and safety requirements or standards, regardless of any support or applications information provided by ON Semiconductor. "Typical" parameters which may be provided in ON Semiconductor data sheets and/or specifications can and do vary in different applications and actual performance may vary over time. All operating parameters, including "Typicals" must be validated for each customer application by customer's technical experts. ON Semiconductor does not convey any license under its patent rights nor the rights of others. ON Semiconductor products are not designed, intended, or authorized for use as a critical component in life support systems or any FDA Class 3 medical devices or medical devices with a same or similar classification in a foreign jurisdiction or any devices intended for implantation in the human body. Should Buyer purchase or use ON Semiconductor products for any such unintended or unauthorized application, Buyer shall indemnify and hold ON Semiconductor and its officers, employees, subsidiaries, affiliates, and distributors harmless against all claims, costs, damages, and expenses, and reasonable attorney fees arising out of, directly or indirectly, any claim of personal injury or death associated with such unintended or unauthorized use, even if such claim alleges that ON Semiconductor was negligent regarding the design or manufacture of the part. ON Semiconductor is an Equal Opportunity/Affirmative Action Employer. This literature is subject to all applicable copyright laws and is not for resale in any manner.

## PUBLICATION ORDERING INFORMATION

### LITERATURE FULFILLMENT:

Literature Distribution Center for ON Semiconductor  
19521 E. 32nd Pkwy, Aurora, Colorado 80011 USA  
**Phone:** 303-675-2175 or 800-344-3860 Toll Free USA/Canada  
**Fax:** 303-675-2176 or 800-344-3867 Toll Free USA/Canada  
**Email:** [orderlit@onsemi.com](mailto:orderlit@onsemi.com)

**N. American Technical Support:** 800-282-9855 Toll Free  
USA/Canada  
**Europe, Middle East and Africa Technical Support:**  
Phone: 421 33 790 2910

**ON Semiconductor Website:** [www.onsemi.com](http://www.onsemi.com)

**Order Literature:** <http://www.onsemi.com/orderlit>

For additional information, please contact your local  
Sales Representative

Компания «Океан Электроники» предлагает заключение долгосрочных отношений при поставках импортных электронных компонентов на взаимовыгодных условиях!

Наши преимущества:

- Поставка оригинальных импортных электронных компонентов напрямую с производств Америки, Европы и Азии, а так же с крупнейших складов мира;
- Широкая линейка поставок активных и пассивных импортных электронных компонентов (более 30 млн. наименований);
- Поставка сложных, дефицитных, либо снятых с производства позиций;
- Оперативные сроки поставки под заказ (от 5 рабочих дней);
- Экспресс доставка в любую точку России;
- Помощь Конструкторского Отдела и консультации квалифицированных инженеров;
- Техническая поддержка проекта, помощь в подборе аналогов, поставка прототипов;
- Поставка электронных компонентов под контролем ВП;
- Система менеджмента качества сертифицирована по Международному стандарту ISO 9001;
- При необходимости вся продукция военного и аэрокосмического назначения проходит испытания и сертификацию в лаборатории (по согласованию с заказчиком);
- Поставка специализированных компонентов военного и аэрокосмического уровня качества (Xilinx, Altera, Analog Devices, Intersil, Interpoint, Microsemi, Actel, Aeroflex, Peregrine, VPT, Syfer, Eurofarad, Texas Instruments, MS Kennedy, Miteq, Cobham, E2V, MA-COM, Hittite, Mini-Circuits, General Dynamics и др.);

Компания «Океан Электроники» является официальным дистрибьютором и эксклюзивным представителем в России одного из крупнейших производителей разъемов военного и аэрокосмического назначения «JONHON», а так же официальным дистрибьютором и эксклюзивным представителем в России производителя высокотехнологичных и надежных решений для передачи СВЧ сигналов «FORSTAR».



## JONHON

«JONHON» (основан в 1970 г.)

Разъемы специального, военного и аэрокосмического назначения:

(Применяются в военной, авиационной, аэрокосмической, морской, железнодорожной, горно- и нефтедобывающей отраслях промышленности)

«FORSTAR» (основан в 1998 г.)

ВЧ соединители, коаксиальные кабели, кабельные сборки и микроволновые компоненты:

(Применяются в телекоммуникациях гражданского и специального назначения, в средствах связи, РЛС, а так же военной, авиационной и аэрокосмической отраслях промышленности).



Телефон: 8 (812) 309-75-97 (многоканальный)

Факс: 8 (812) 320-03-32

Электронная почта: [ocean@oceanchips.ru](mailto:ocean@oceanchips.ru)

Web: <http://oceanchips.ru/>

Адрес: 198099, г. Санкт-Петербург, ул. Калинина, д. 2, корп. 4, лит. А