

## Product Specification

### Quadwire® FDR Parallel Active Optical Cable FCBx414QD3Cyy

#### PRODUCT FEATURES

- Four-channel full-duplex active optical cable
- Multirate capability: 1.06Gb/s to 14.025Gb/s per channel
- Complies with QSFP MSA high-density form factor
- Reliable VCSEL array technology using multimode fiber
- Round, plenum-rated (OFNP) and riser-rated (OFNR), low smoke zero halogen (LSZH) cables
- Hot Pluggable
- Built-in digital diagnostic functions
- Low power dissipation: <1.3W per cable end
- Commercial operating case temperature range: 0°C to 70°C
- RoHS-6 Compliant (lead-free)



#### APPLICATIONS

- Infiniband 4xFDR, 4xQDR
- 40G Ethernet
- 4G/8G/10G/14G Fibre Channel
- HPC Interconnections
- SATA/SA

#### PRODUCT SELECTION (Standard Lengths\*)

<b>FCBx414QD3Cyy</b>	
x:	N = Plenum-rated (OFNP) cable jacket R = Riser-rated (OFNR) low smoke zero halogen (LSZH) cable jacket
yy*:	03 = 3m length 05 = 5m length 10 = 10m length 15 = 15m length 20 = 20m length 30 = 30m length 50 = 50m length X0 = 100m length
*Please contact Finisar for availability of additional cable lengths.	

I. Pin Descriptions

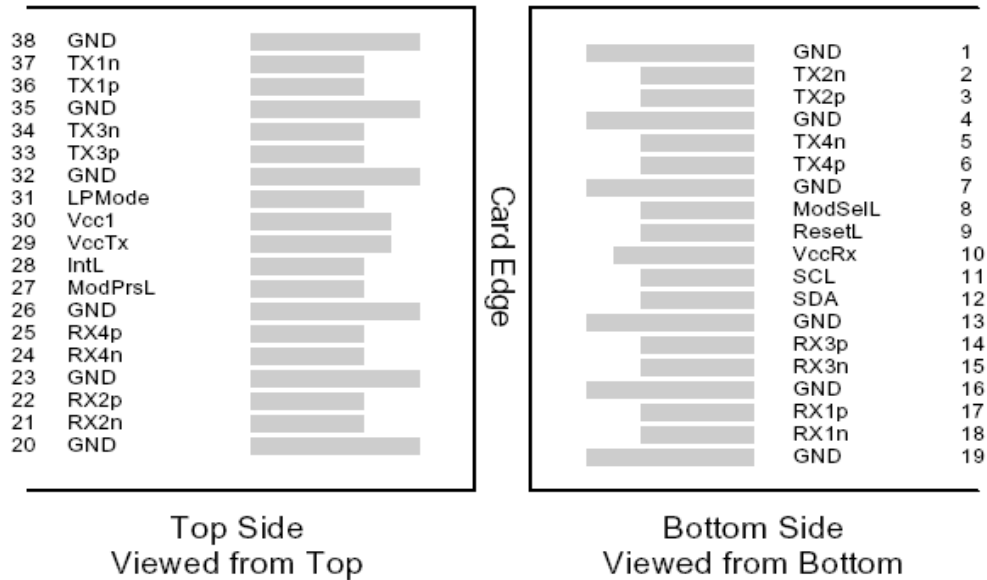


Figure 1 – QSFP MSA-compliant 38-pin connector

Pin	Symbol	Name/Description	Notes
1	GND	Ground	1
2	Tx2n	Transmitter Inverted Data Input	
3	Tx2p	Transmitter Non-Inverted Data Input	
4	GND	Ground	1
5	Tx4n	Transmitter Inverted Data Input	
6	Tx4p	Transmitter Non-Inverted Data Input	
7	GND	Ground	1
8	ModSelL	Module Select	
9	ResetL	Module Reset	
10	Vcc Rx	+3.3 V Power supply receiver	
11	SCL	2-wire serial interface clock	
12	SDA	2-wire serial interface data	
13	GND	Ground	1
14	Rx3p	Receiver Non-Inverted Data Output	
15	Rx3n	Receiver Inverted Data Output	
16	GND	Ground	1
17	Rx1p	Receiver Non-Inverted Data Output	
18	Rx1n	Receiver Inverted Data Output	
19	GND	Ground	1
20	GND	Ground	1
21	Rx2n	Receiver Inverted Data Output	
22	Rx2p	Receiver Non-Inverted Data Output	
23	GND	Ground	1
24	Rx4n	Receiver Inverted Data Output	
25	Rx4p	Receiver Non-Inverted Data Output	
26	GND	Ground	1

27	ModPrsL	Module Present	
28	IntL	Interrupt	
29	Vcc Tx	+3.3 V Power supply transmitter	
30	Vcc1	+3.3 V Power Supply	
31	LPMode	Low Power Mode	
32	GND	Ground	1
33	Tx3p	Transmitter Non-Inverted Data Input	
34	Tx3n	Transmitter Inverted Data Input	
35	GND	Ground	1
36	Tx1p	Transmitter Non-Inverted Data Input	
37	Tx1n	Transmitter Inverted Data Input	
38	GND	Ground	1

**Notes**

1. Circuit ground is internally isolated from chassis ground.

**II. General Product Characteristics**

Parameter	Value	Unit	Notes
Module Form Factor	QSFP		
Number of Lanes	4 Tx and 4 Rx		
Maximum Aggregate Data Rate	56.25	Gb/s	
Maximum Data Rate per Lane	14.0625	Gb/s	
Standard Cable Lengths	3, 5, 10, 15, 20, 30, 50, 100	meters	Other lengths may be available upon request (< 300m)
Protocols Supported	Typical applications include Infiniband, Fibre Channel, 40G Ethernet, SATA/SAS3		
Electrical Interface and Pin-out	38-pin edge connector		Pin-out as defined by the QSFP MSA
Standard Optical Cable Type	Multimode ribbon fiber cable assembly, riser-rated		
Maximum Power Consumption per End	1.3	Watts	Varies with output voltage swing and pre-emphasis settings (see Figure 2)
Management Interface	Serial, I2C-based, 400 kHz maximum frequency		As defined by the QSFP MSA

Data Rate Specifications	Symbol	Min	Typ	Max	Units	Ref.
Bit Rate per Lane	BR	1000		14062.5	Mb/sec	1
Bit Error Ratio	BER			10 <sup>-12</sup>		2

**Notes:**

1. 1/10 Gigabit Ethernet and 1/2/4/8/10/16G Fibre Channel compatible.
2. Tested with a PRBS 2<sup>31</sup>-1 test pattern.

### III. Absolute Maximum Ratings

Parameter	Symbol	Min	Typ	Max	Unit	Ref.
Maximum Supply Voltage	V <sub>cc1</sub> , V <sub>ccTx</sub> , V <sub>ccRx</sub>	-0.5		3.6	V	
Storage Temperature	T <sub>s</sub>	-40		85	°C	1
Case Operating Temperature	T <sub>OP</sub>	0		70	°C	
Relative Humidity	RH	0		85	%	2

**Notes:**

- Assumes no mechanical load force on the unit. Ensuring no mechanical load force requires a cable bend radius of >105 mm within 100 mm of either cable end module and >60 mm on the rest of the cable.
- Non-condensing.

### IV. Electrical Characteristics (T<sub>OP</sub> = 0 to 70°C, V<sub>CC</sub> = 3.3 ± 5% Volts)

Parameter	Symbol	Min	Typ	Max	Unit	Ref.
Supply Voltage	V <sub>cc1</sub> , V <sub>ccTx</sub> , V <sub>ccRx</sub>	3.15		3.45	V	
Supply Current	I <sub>cc</sub>			350	mA	
<b>Link Turn-On Time</b>						
Transmit Turn-On Time				2000	ms	1
<b>Transmitter (per Lane)</b>						
Differential data input swing	V <sub>in,pp</sub>	180		1200	mV <sub>pp</sub>	2
Differential input threshold			50		mV	
<b>Receiver (per Lane)</b>						
Differential data output swing	V <sub>out,pp</sub>	0		800	mV <sub>pp</sub>	3,4
Power Supply Ripple Tolerance	PSR	50			mV <sub>pp</sub>	

**Notes:**

- From power-on and end of any fault conditions.
- AC coupled internally. Self-biasing 100Ω differential input.
- AC coupled with 100Ω differential output impedance. See Figure 3 for output eye mask.
- Settable in 4 discrete steps. See Figure 2 for V<sub>o</sub> settings

## V. High-Speed Electrical Characteristics per Lane

( $T_{OP} = 0$  to  $70^{\circ}C$ ,  $V_{CC} = 3.3 \pm 5\%$  Volts)

Parameter –Inputs	Symbol	Conditions	Min	Typ	Max	Units	Ref.
Reference Differential Input Impedance	$Z_d$			100		$\Omega$	
Termination Mismatch	$\Delta Z_M$				5	%	1
Input AC Common Mode Voltage					25	mV (RMS)	
Differential Input Return Loss	SDD11	0.01-4.1 GHz				dB	2
		4.1 – 11.1 GHz				dB	3
Differential to Common Mode Loss	SCD11	0.01-11.1 GHz			-10	dB	
Jitter Tolerance (Total)	TJ				0.40	UI	
Jitter Tolerance (Deterministic)	DJ				0.15	UI	

Notes:

1. See SFF-8431 Rev 3.2 (SFP+) section D.15 Termination Mismatch for definition & test recommendations
2. Reflection coefficient given by equation  $SDD11(dB) < -12 + 2 * \sqrt{f}$ , with f in GHz.
3. Reflection coefficient given by equation  $SDD11(dB) < -6.3 + 13 \log_{10}(f/5.5)$ , with f in GHz.

Parameter –Outputs	Symbol	Conditions	Min	Typ	Max	Units	Ref.
Reference Differential Output Impedance	$Z_d$			100		$\Omega$	
Termination Mismatch	$\Delta Z_M$				5	%	
Output AC Common Mode Voltage					15	mV <sub>RMS</sub>	
Output Rise and Fall time (20% to 80%)	$t_{RH}, t_{FH}$	14 Gbps	24			ps	
Differential Output Return Loss	SDD22	0.01-4.1 GHz				dB	1
		4.1 – 11.1 GHz				dB	2
Common Mode Output Return Loss	SCC22	0.01-2.5 GHz				dB	3
		2.5-11.1 GHz			-3	dB	

Notes:

1. Reflection coefficient given by equation  $SDD22(dB) < -12 + 2 * \sqrt{f}$ , with f in GHz.
2. Reflection coefficient given by equation  $SDD22(dB) < -6.3 + 13 \log_{10}(f/5.5)$ , with f in GHz.
3. Reflection coefficient given by equation  $SCC22(dB) < -7 + 1.6 * f$ , with f in GHz.

Receiver Output Jitter Specification	Symbol	Min	Typ	Max	Units	Ref.
Deterministic Jitter	$DJ_{OUT}$			0.38	UI	1
Total Jitter	$TJ_{OUT}$			0.64	UI	1

Notes:

1. When transmitter input jitter specs are met.

Other Informational Specifications (not tested)	Symbol	Min	Typ	Max	Units	Ref.
Max Bit Rate NRZ	B			14.0625	Gb/s	
Low Frequency 3dB Cutoff	$f_c$	175			kHz	
Ch / Ch crosstalk				-26	dB	
Output Pre-emphasis settings (user selectable)	PE		0		mV	
			125		mV	
			175		mV	
			325		mV	
Pre-Emphasis pulse width		60		90	ps	
Digital clock to data delay				25	ns	
Digital output rise/fall times				5	ns	
Digital input / output Cap				1	pF	
Digital input logic High		2			V	
Digital input logic Low				1	V	
ESD Signal pads				500	V	HBM
ESD (other pads)				2	kV	HBM
Channel-to-channel skew				913	ps	1
Latency				1086+4990/m	ps	

Notes:

1. For cable lengths  $\leq 7m$ . For longer cable lengths, the maximum channel-to-channel skew = 1204ps + (cable length – 8m) \* 992ps.

Power (mW)	Pre-Emphasis into 100ohms (mV)			
	0	125	175	325
0	599			
317	751	935	971	1075
422	787	971	1007	1111
739	883	1055	1103	1190

Figure 2 – Power Dissipation (mW, maximum) vs. Rx Output Conditions

## VI. Memory Map and Control Registers

Compatible with SFF-8436.<sup>2</sup> Please see Finisar Application Note AN-2075: Quadwire<sup>®</sup> EEPROM Mapping<sup>3</sup> for details.

## VII. Environmental Specifications

Finisar Quadwire<sup>®</sup> active optical cables have an operating temperature range from 0°C to +70°C case temperature.

Environmental Specifications	Symbol	Min	Typ	Max	Units	Ref.
Case Operating Temperature	$T_{op}$	0		70	°C	
Storage Temperature	$T_{sto}$	-40		85	°C	1

1. Assumes no mechanical load force on the unit. Ensuring no mechanical load force requires a cable bend radius of >105 mm within 100 mm of either cable end module and >60 mm on the rest of the cable.

**VIII. Regulatory Compliance**

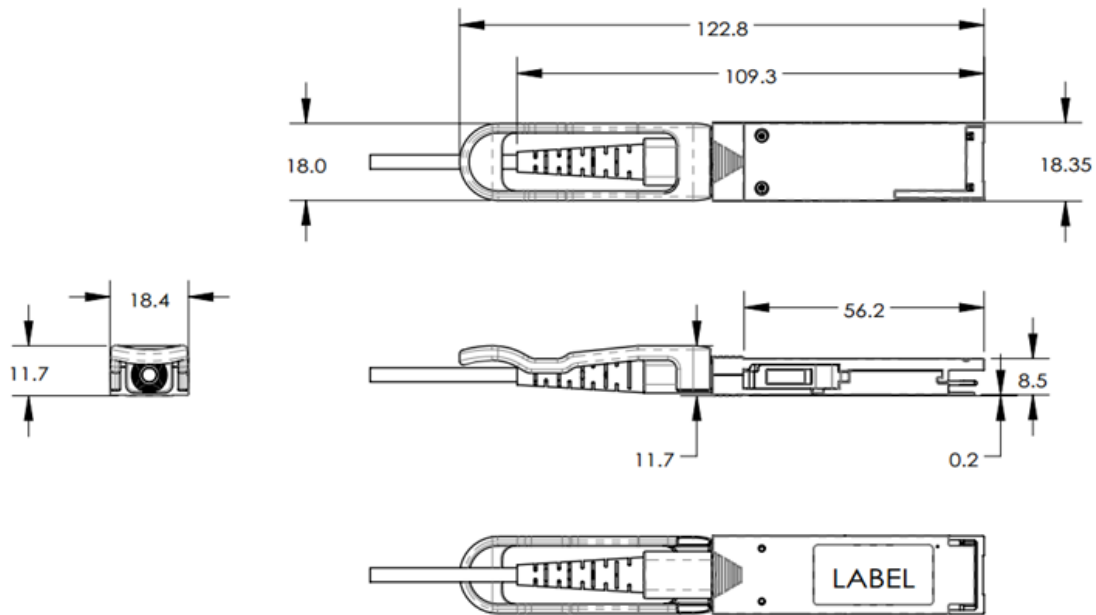
Finisar FDR Quadwire<sup>®</sup> active optical cables are RoHS-6 Compliant. Copies of certificates to be available at Finisar Corporation upon request.

Quadwire<sup>®</sup> active optical cables are Class 1 laser eye safety compliant per IEC 60825-1.

The round cable jacket is available in both plenum-rated (OFNP) and riser-rated (OFNR) low smoke zero-halogen (LSZH).

**IX. Mechanical Specifications**

Finisar FDR Quadwire<sup>®</sup> mechanical specifications are based on QSFP transceiver module specifications, substituting the MPO connectors with a cable connecting both ends.



**Figure 3 – Quadwire<sup>®</sup> mechanical drawing**

Cable Mechanical Specifications	Min	Typical	Max	Units
Minimum bend radius	60			mm
Minimum bend radius within 100 mm of the Quadwire <sup>®</sup> module end	105			mm
Diameter	3.0	3.3	3.6	mm

Insertion, Extraction and Retention Forces	Min	Max	Units	Notes
Cable Proof (Tensile) Test (0°)		44.0	Newtons	
Cable Proof (Tensile) Test (90°)		33.0	Newtons	
Impact Test		8	Cycles	1.5m drop
Flex Test		8.9	Newtons	
Twist Test		13.0	Newtons	
Module retention	90	N/A	Newtons	No damage below 90N
Host Connector Retention	180	N/A	Newtons	No damage below 180N

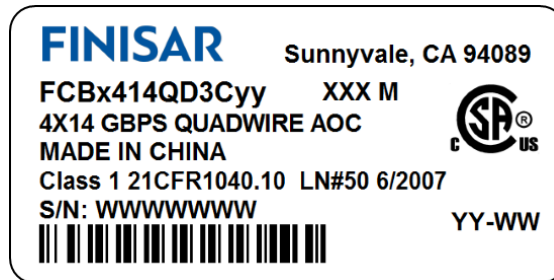


Figure 4 – Quadwire® production-level product label

**X. References**

1. INF-8438i – Specification for QSFP (Quad Small Formfactor Pluggable) Transceiver, Rev 1.0, November 2006
2. SFF-8636 – Specification for QSFP+ Copper and Optical Transceiver, Rev 2.7, January, 2016
3. Application Note AN-2075: Quadwire® EEPROM Mapping, Rev E

**XI. For More Information**

Finisar Corporation  
 1389 Moffett Park Drive  
 Sunnyvale, CA 94089-1133  
 Tel. 1-408-548-1000  
 Fax 1-408-541-6138  
[sales@finisar.com](mailto:sales@finisar.com)  
[www.finisar.com](http://www.finisar.com)



Компания «Океан Электроники» предлагает заключение долгосрочных отношений при поставках импортных электронных компонентов на взаимовыгодных условиях!

Наши преимущества:

- Поставка оригинальных импортных электронных компонентов напрямую с производств Америки, Европы и Азии, а так же с крупнейших складов мира;
- Широкая линейка поставок активных и пассивных импортных электронных компонентов (более 30 млн. наименований);
- Поставка сложных, дефицитных, либо снятых с производства позиций;
- Оперативные сроки поставки под заказ (от 5 рабочих дней);
- Экспресс доставка в любую точку России;
- Помощь Конструкторского Отдела и консультации квалифицированных инженеров;
- Техническая поддержка проекта, помощь в подборе аналогов, поставка прототипов;
- Поставка электронных компонентов под контролем ВП;
- Система менеджмента качества сертифицирована по Международному стандарту ISO 9001;
- При необходимости вся продукция военного и аэрокосмического назначения проходит испытания и сертификацию в лаборатории (по согласованию с заказчиком);
- Поставка специализированных компонентов военного и аэрокосмического уровня качества (Xilinx, Altera, Analog Devices, Intersil, Interpoint, Microsemi, Actel, Aeroflex, Peregrine, VPT, Syfer, Eurofarad, Texas Instruments, MS Kennedy, Miteq, Cobham, E2V, MA-COM, Hittite, Mini-Circuits, General Dynamics и др.);

Компания «Океан Электроники» является официальным дистрибьютором и эксклюзивным представителем в России одного из крупнейших производителей разъемов военного и аэрокосмического назначения «JONHON», а так же официальным дистрибьютором и эксклюзивным представителем в России производителя высокотехнологичных и надежных решений для передачи СВЧ сигналов «FORSTAR».



## JONHON

«JONHON» (основан в 1970 г.)

Разъемы специального, военного и аэрокосмического назначения:

(Применяются в военной, авиационной, аэрокосмической, морской, железнодорожной, горно- и нефтедобывающей отраслях промышленности)

«FORSTAR» (основан в 1998 г.)

ВЧ соединители, коаксиальные кабели, кабельные сборки и микроволновые компоненты:

(Применяются в телекоммуникациях гражданского и специального назначения, в средствах связи, РЛС, а так же военной, авиационной и аэрокосмической отраслях промышленности).



Телефон: 8 (812) 309-75-97 (многоканальный)

Факс: 8 (812) 320-03-32

Электронная почта: [ocean@oceanchips.ru](mailto:ocean@oceanchips.ru)

Web: <http://oceanchips.ru/>

Адрес: 198099, г. Санкт-Петербург, ул. Калинина, д. 2, корп. 4, лит. А