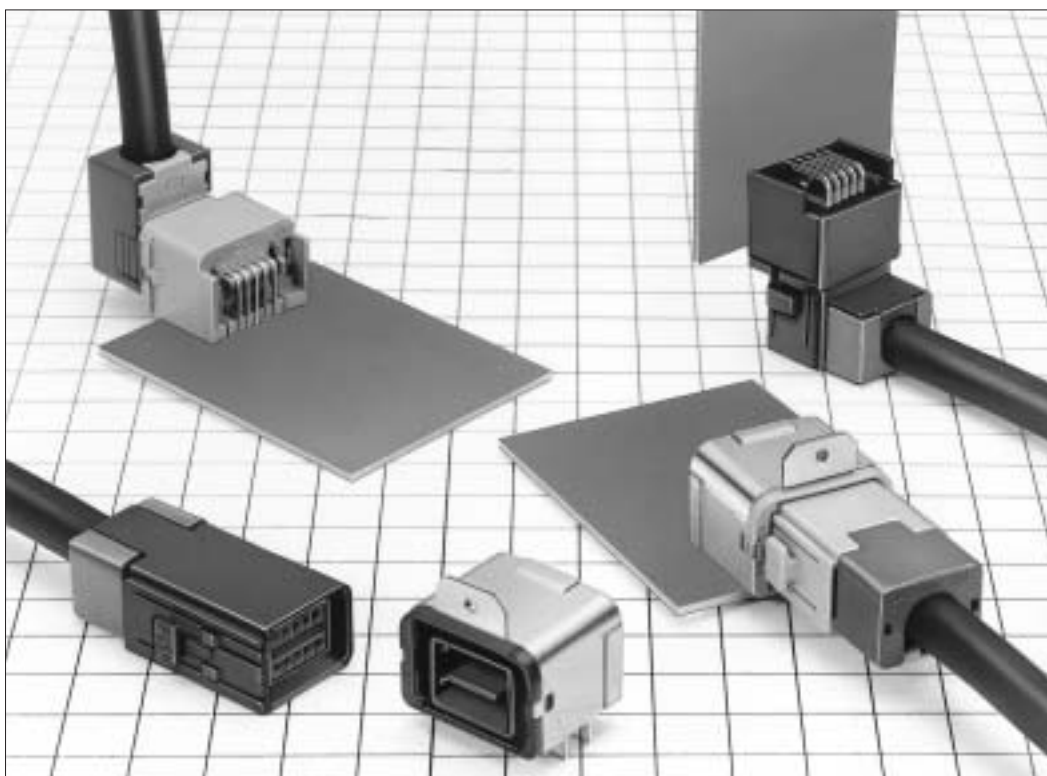


Antenna, Sensor, and Communications Trunk Line Connections

GT17 Series

— Ideal as Automotive USB Connectors —
<2 mm pitch>



■ Features

- All surface shielded construction.
- Ideal for use as Automotive USB connectors.

■ Applications

In-car data communications, etc.

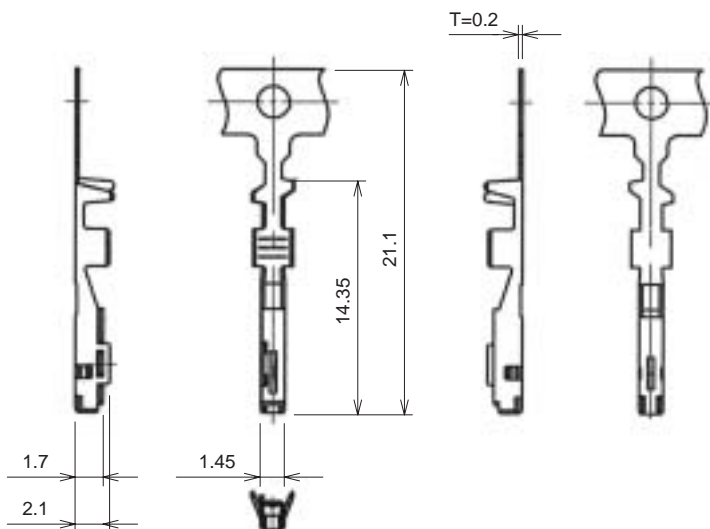
GT17 Series

Coaxial cable connection of Antennas, Sensors, and Communication Trunk Lines

- GT 1
- GT 5
- GT 13
- GT 16
- PO5G
- GT 11
- GT 14
- GT 17**
- GT 19N
- GT 2
- GT 3
- GT 6W
- GT 7
- GT 10
- GT 12
- GT 18W
- GT 15
- GT 8
- GT 9

F Connectors

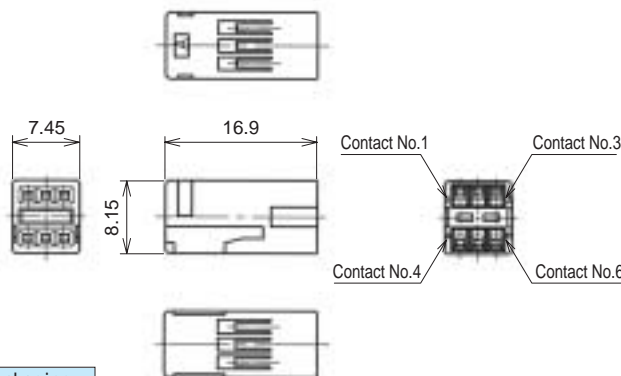
Center Terminals (Used with 6, 8, and 10 conductor cable)



| Part Number | CL No. | Material | Finish | Conductor Size (AWG) | Outer Diameter | Packaging |
|--------------|------------|--------------|-------------|----------------------|----------------|----------------------|
| GT17-2022SCF | 767-0009-0 | Copper alloy | Tin plating | #20 to 22 | 1.1 to 1.3 mm | 10,000 pcs. per reel |
| GT17-2428SCF | 767-0010-0 | Copper alloy | Tin plating | #24 to 28 | 0.7 to 1.0 mm | 10,000 pcs. per reel |
| GT17-30SCF | 767-0064-9 | Copper alloy | Tin plating | #30 | 1.1 to 1.3 mm | 10,000 pcs. per reel |

F Connectors (6-Conductor Type)

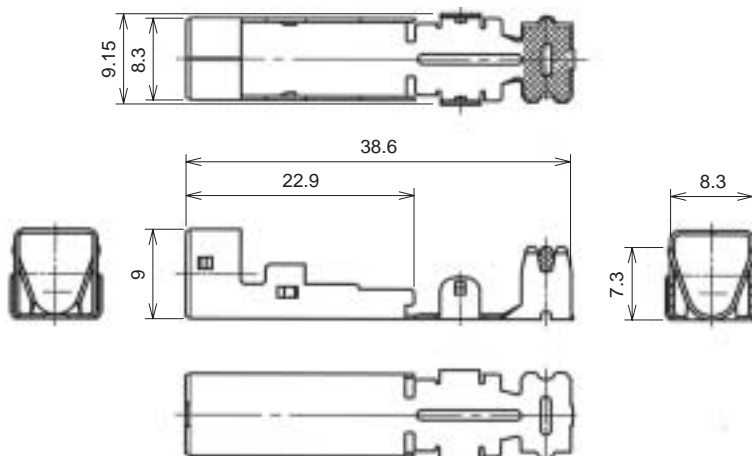
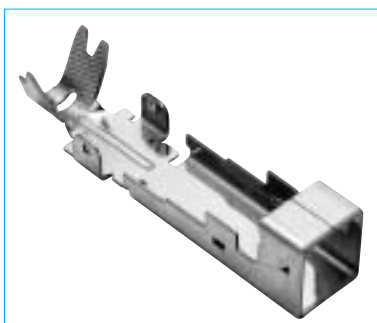
Insulator



| Part Number | CL No. | Material | Color | Packaging |
|--------------|------------|----------|-----------|-----------|
| GT17V-6DS-2C | 767-0026-0 | PBT | Dark gray | 1 |

Note: Applicable Cable will have an Insulator diameter of 0.7 to 1.3 mm.

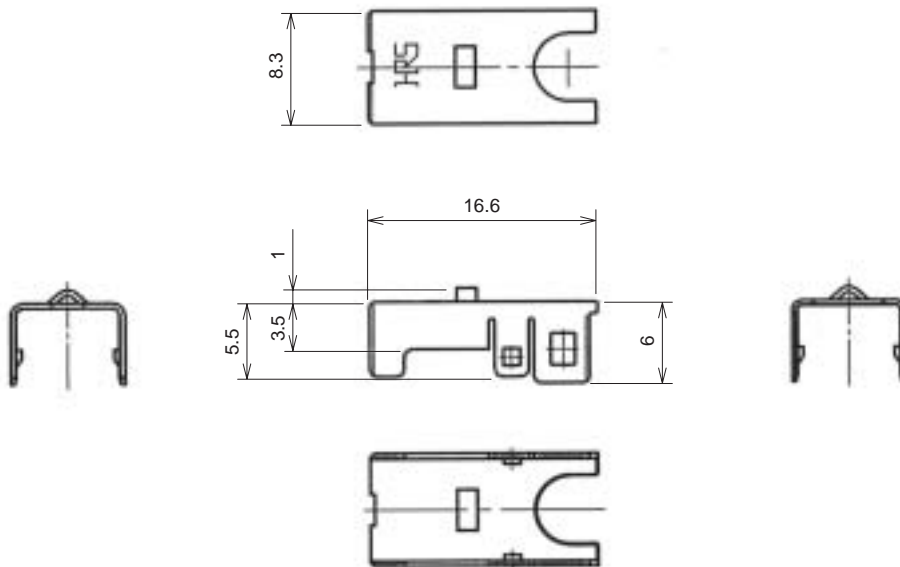
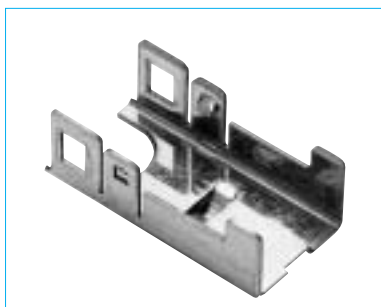
Outer terminal



| Part Number | CL No. | Material | Finish | Outer Diameter | Packaging |
|---------------|------------|--------------|-------------|----------------|-----------|
| GT17V-6DS-5CF | 767-0027-2 | Copper alloy | Tin plating | 4.8 to 5.2 mm | 1 |

Note: The crimping conditions will differ depending on the construction and material of the cable. In view of this, please make arrangements to ascertain whether crimping is possible for each cable.

● Shield Cover

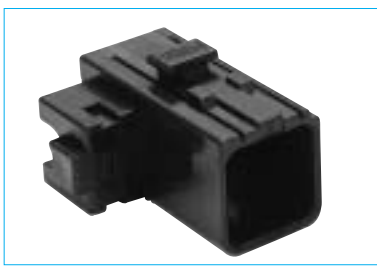


| Part Number | CL No. | Material | Finish | Packaging |
|--------------|------------|--------------|-------------|-----------|
| GT17V-6DS-SC | 767-0028-5 | Copper alloy | Tin plating | 1 |

● Housing

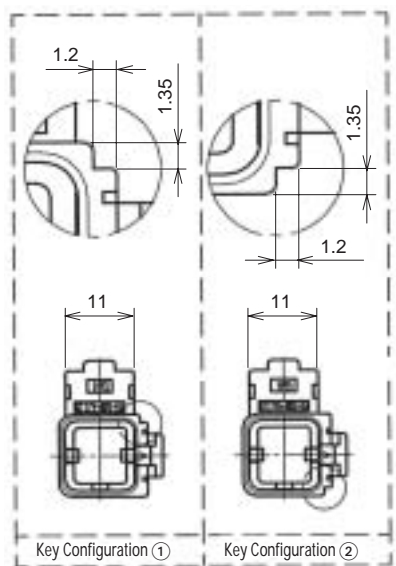
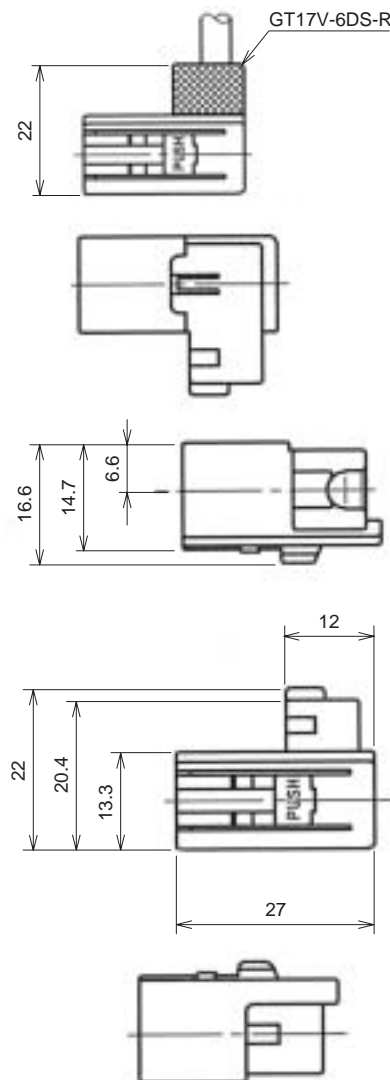


GT17V-6DS-HU



GT17VA-6DS-HU

◆ Shown with inserted retainer



| Part Number | CL No. | Material | Color | Key Configurations | Packaging |
|---------------|------------|----------|------------|--------------------|-----------|
| GT17V-6DS-HU | 767-0029-8 | PBT | Light gray | ① | 1 |
| GT17VA-6DS-HU | 767-0030-7 | PBT | Black | ② | 1 |

Note 1: Used with the separate retainer (GT17V-6DS-R).

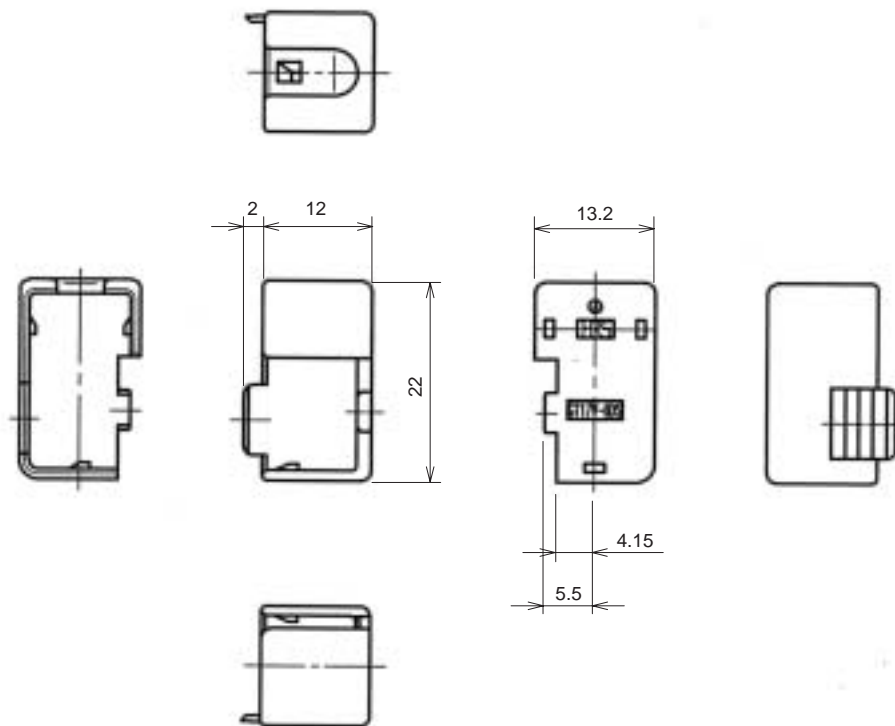
Note 2: Applicable Cable will have an outside sheath diameter of 4.8 to 5.2 mm.

GT17 Series

Coaxial cable connection of Antennas, Sensors, and Communication Trunk Lines

- GT 1
- GT 5
- GT 13
- GT 16
- PO5G
- GT 11
- GT 14
- GT 17**
- GT 19N
- GT 2
- GT 3
- GT 6W
- GT 7
- GT 10
- GT 12
- GT 18W
- GT 15
- GT 8
- GT 9

● Retainer (Used with GT17V-6DS-HU and GT17VA-6DS-HU)



| Part Number | CL No. | Material | Color | Packaging |
|-------------|------------|----------|-----------|-----------|
| GT17V-6DS-R | 767-0031-0 | PBT | Dark gray | 1 |

Note: Applicable Cable will have an Insulator diameter of 4.8 to 5.2 mm.

◆ F Connector (6-Conductor Type) Composition Table

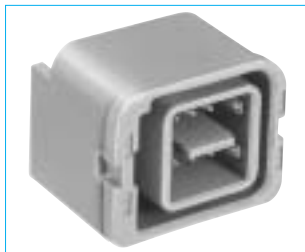
| Inner Terminal | Insulator | Outer Terminal | Shield Cover | Housing | Retainer |
|----------------|--------------|----------------|--------------|---------------|-------------|
| GT17-2022SCF | GT17V-6DS-2C | GT17V-6DS-5CF | GT17V-6DS-SC | GT17V-6DS-HU | GT17V-6DS-R |
| GT17-2428SCF | | | | GT17VA-6DS-HU | |
| GT17-30SCF | | | | | |

◆ 6-Conductor Type Mating Table

| F Connector | M Connector | Color |
|---------------|---------------|------------|
| GT17V-6DS-HU | GT17V-6DP-DS | Light gray |
| | GT17VB-6DP-DS | |
| GT17VA-6DS-HU | GT17VA-6DP-DS | Black |
| | GT17VC-6DP-DS | |

M Connectors (6-Conductor Type)

Printed Circuit Board Type

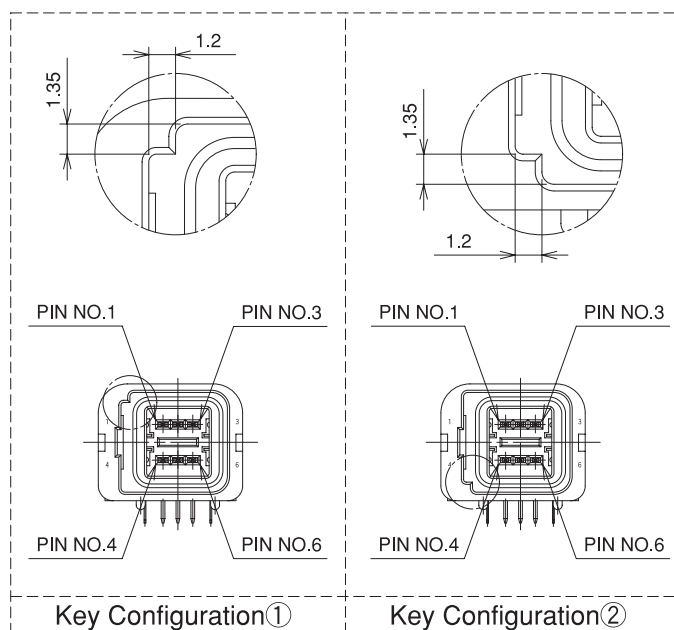
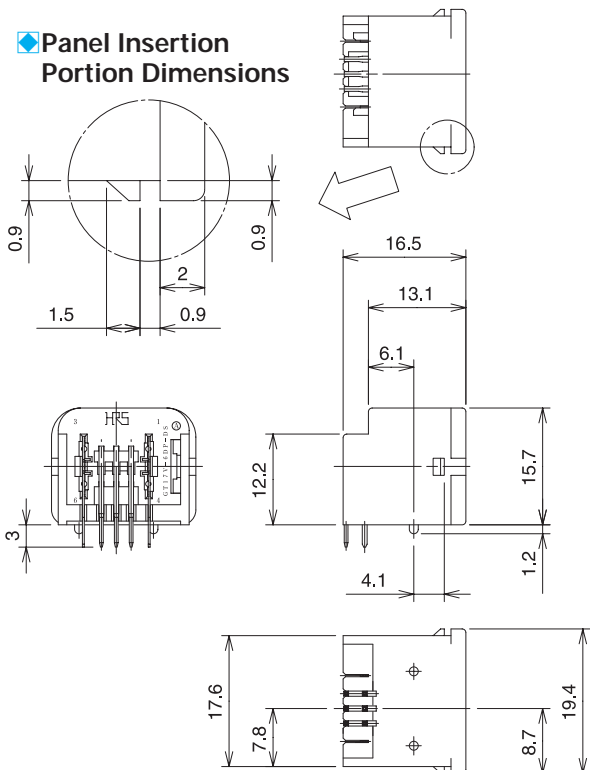


GT17V-6DP-DS

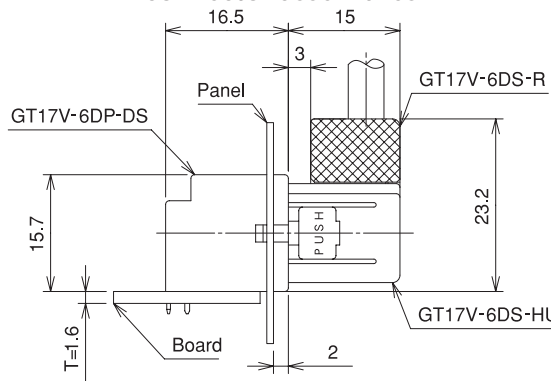


GT17VA-6DP-DS

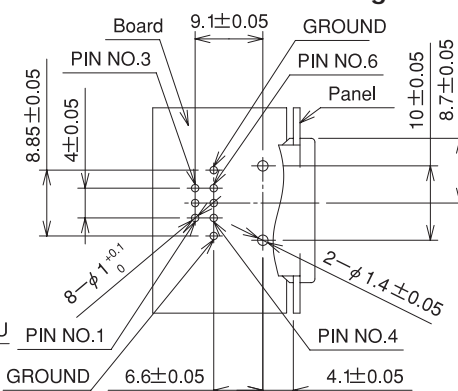
Panel Insertion Portion Dimensions



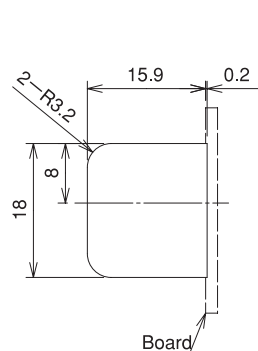
Mounted and fully mated connector assemblies



Recommended PCB Mounting Pattern



Recommended Panel Cut-out



| Part Number | HRS No. | Material | Color | Key Configurations | Direction of Cable Pull-off | Packaging |
|-------------------|---------------|--------------------------------|------------|--------------------|---|-----------|
| GT17V-6DP-DS | 767-0024-4 | Brass (Center terminal) | Light gray | ① | Upward with respect to the mounting surface | 1 |
| GT17VA-6DP-DS | 767-0025-7 | Copper alloy (Outer terminals) | Black | ② | | 1 |
| GT17V-6DP-DS(70) | 767-0024-4-70 | PBT (Housing) | Light gray | ① | | 1 |
| GT17VA-6DP-DS(70) | 767-0025-7-70 | | Black | ② | | 1 |

(70):Pb free products.

GT17 Series

Coaxial cable connection of Antennas, Sensors, and Communication Trunk Lines

- GT 1
- GT 5
- GT 13
- GT 16
- GT 19
- GT 11
- GT 14
- GT 17
- GT 19N
- GT 2
- GT 3
- GT 6W
- GT 7
- GT 10
- GT 12
- GT 18W
- GT 15
- GT 8
- GT 9

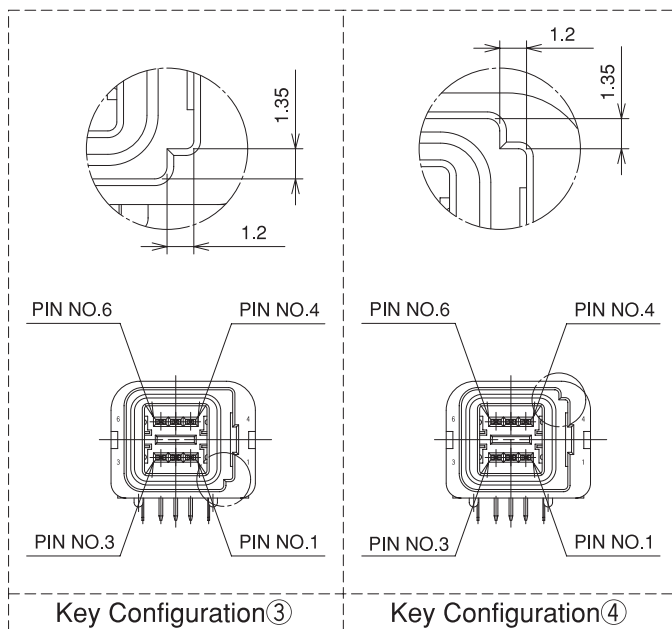
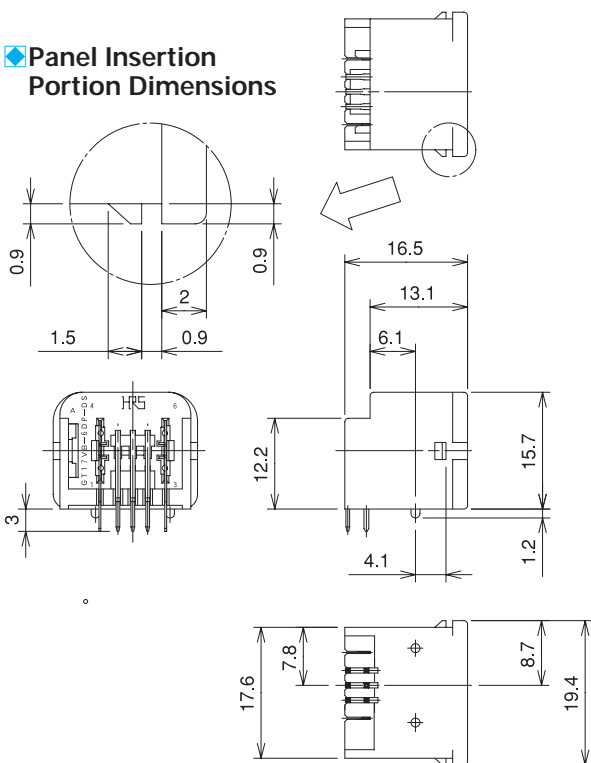


GT17VB-6DP-DS

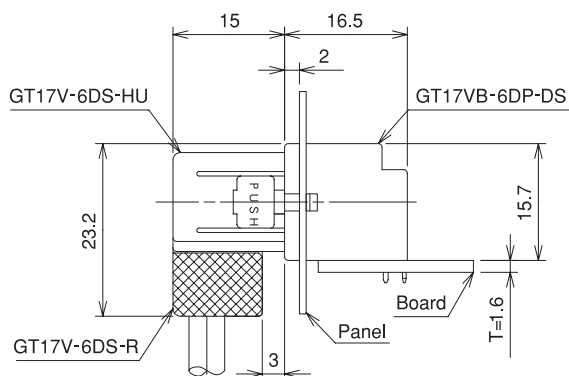


GT17VC-6DP-DS

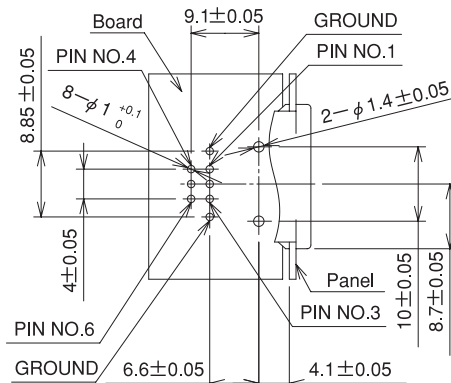
◆ Panel Insertion Portion Dimensions



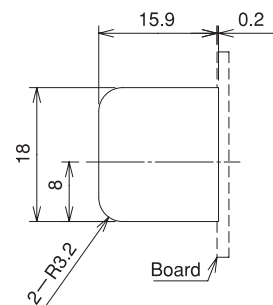
◆ Mounted and fully mated connector assemblies



◆ Recommended PCB Mounting Pattern



◆ Recommended Panel Cut-out

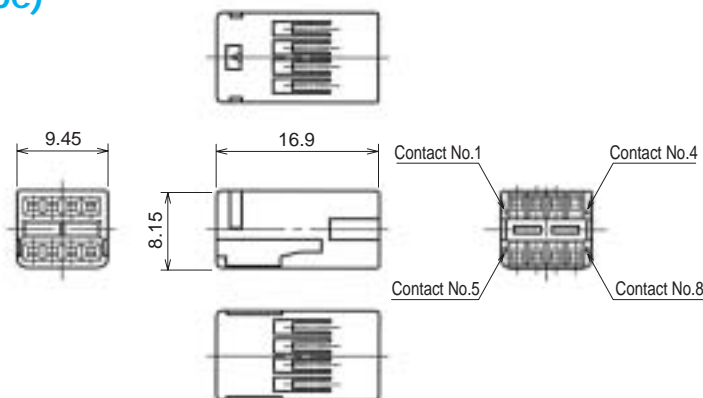


| Part Number | HRS No. | Material | Color | Key Configurations | Direction of Cable Pull-off | Packaging |
|-------------------|---------------|--------------------------------|------------|--------------------|---|-----------|
| GT17VB-6DP-DS | 767-0032-2 | Brass (Center terminal) | Light gray | ③ | Downward with respect to the mounting surface | 1 |
| GT17VC-6DP-DS | 767-0033-5 | Copper alloy (Outer terminals) | Black | ④ | | 1 |
| GT17VB-6DP-DS(70) | 767-0032-2-70 | PBT (Housing) | Light gray | ③ | | 1 |
| GT17VC-6DP-DS(70) | 767-0033-5-70 | | Black | ④ | | 1 |

(70):Pb free products.

F Connectors (8-Conductor Type)

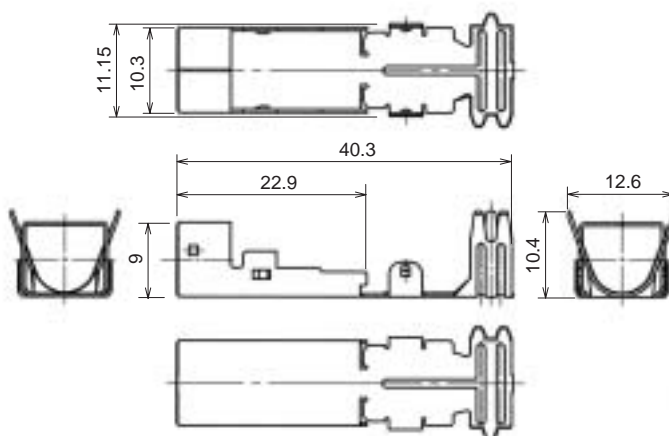
● Insulator



| Part Number | CL No. | Material | Color | Packaging |
|-------------|------------|----------|-----------|-----------|
| GT17-8DS-2C | 767-0005-0 | PBT | Dark gray | 1 |

Note: Applicable Cable will have an Insulator diameter of 0.7 to 1.3 mm.

● Outer terminals

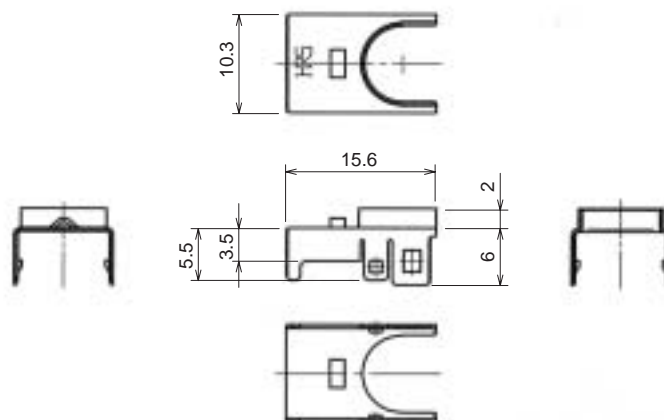


| Part Number | CL No. | Material | Finish | Outer Diameter | Packaging |
|------------------|----------------|-----------------|-------------|----------------|-----------|
| GT17-8DS-7CF | 767-0007-5 | Phosphor bronze | Tin plating | 6.8 to 7.2 mm | 1 |
| GT17-8DS-7CF(70) | 767-0007-5(70) | Phosphor bronze | Tin plating | 6.8 to 7.2 mm | 1 |

(70):Pb free products.

Note: The crimping conditions will differ depending on the construction and material of the cable. In view of this, please make arrangements to ascertain whether crimping is possible for each cable.

● Shield Cover

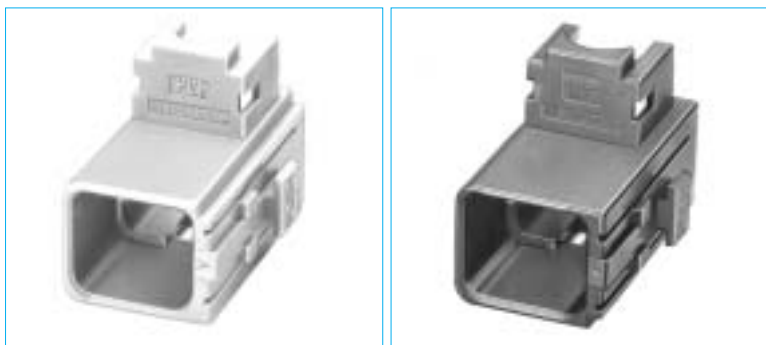


| Part Number | CL No. | Material | Finish | Packaging |
|-----------------|----------------|----------|-------------|-----------|
| GT17-8DS-SC | 767-0006-2 | Brass | Tin plating | 1 |
| GT17-8DS-SC(70) | 767-0006-2(70) | Brass | Tin plating | 1 |

(70):Pb free products.

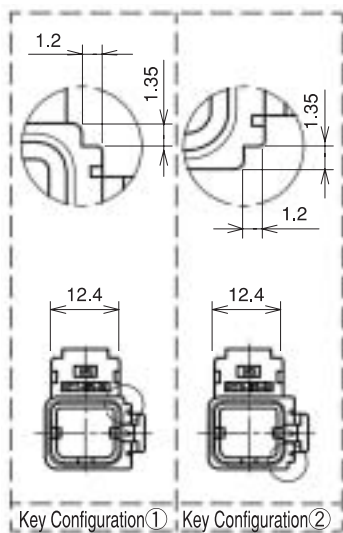
GT17 Series

● Housing

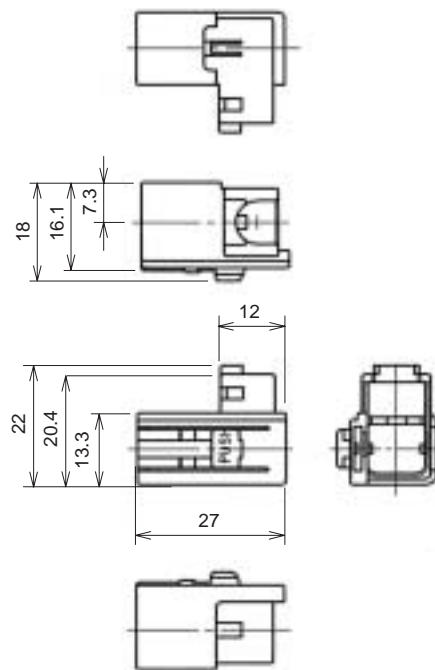
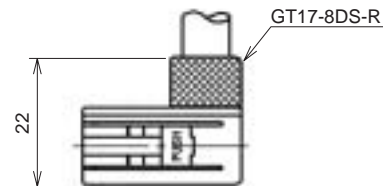


GT17-8DS-HU

GT17A-8DS-HU



◆ Shown with inserted retainer

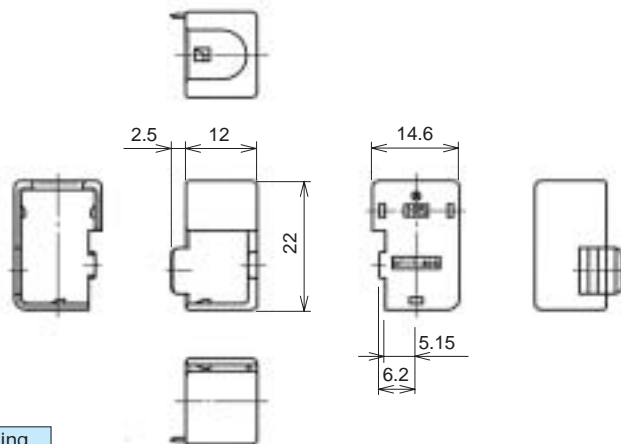


| Part Number | CL No. | Material | Color | Key Configurations | Packaging |
|--------------|------------|----------|------------|--------------------|-----------|
| GT17-8DS-HU | 767-0003-4 | PBT | Light gray | ① | 1 |
| GT17A-8DS-HU | 767-0004-7 | PBT | Black | ② | 1 |

Note 1: Used with the separate retainer (GT17-8DS-R).

Note 2: Applicable Cable will have an outside sheath diameter of 6.8 to 7.2 mm.

● Retainer



| Part Number | CL No. | Material | Color | Packaging |
|-------------|------------|----------|-----------|-----------|
| GT17-8DS-R | 767-0008-8 | PBT | Dark gray | 1 |

Note: Applicable Cables will have an outside sheath diameter of 6.8 to 7.2 mm.

◆ F Connector (8-Conductor Type) Composition Table

| Inner Terminal | Insulator | Outer Terminal | Shield Cover | Housing | Retainer |
|----------------|-------------|----------------|--------------|--------------|------------|
| GT17-2022SCF | GT17-8DS-2C | GT17-8DS-7CF | GT17-8DS-SC | GT17-8DS-HU | GT17-8DS-R |
| GT17-2428SCF | | | | GT17A-8DS-HU | |
| GT17-30SCF | | | | | |

◆ 8-Conductor Type Mating Table

| F Connector | M Connector | Color |
|--------------|--------------|------------|
| GT17-8DS-HU | GT17-8DP-DS | Light gray |
| | GT17B-8DP-DS | |
| GT17A-8DS-HU | GT17A-8DP-DS | Black |
| | GT17C-8DP-DS | |

GT17 Series

Coaxial cable connection of Antennas, Sensors, and Communication Trunk Lines

- GT 1
- GT 5
- GT 13
- GT 16
- GT 17
- GT 19N
- GT 2
- GT 3
- GT 6W
- GT 7
- GT 10
- GT 12
- GT 18W
- GT 15
- GT 8
- GT 9

M Connectors (8-Conductor Type)

Printed Circuit Board Type

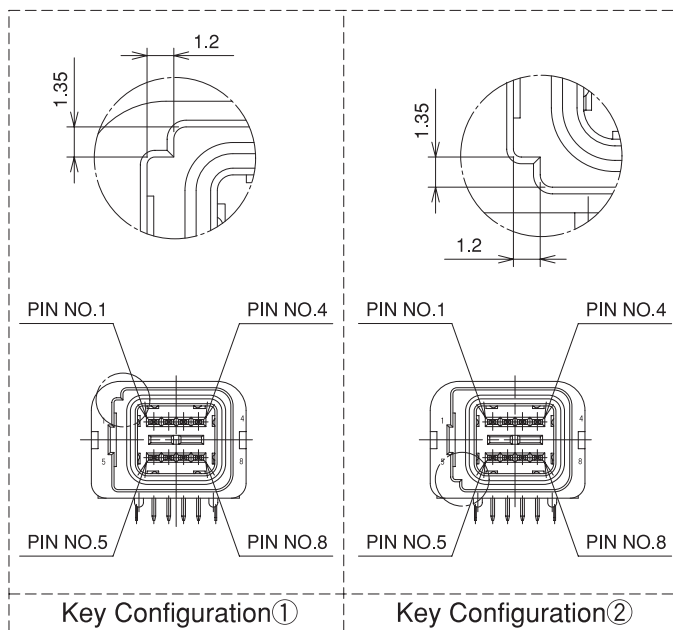
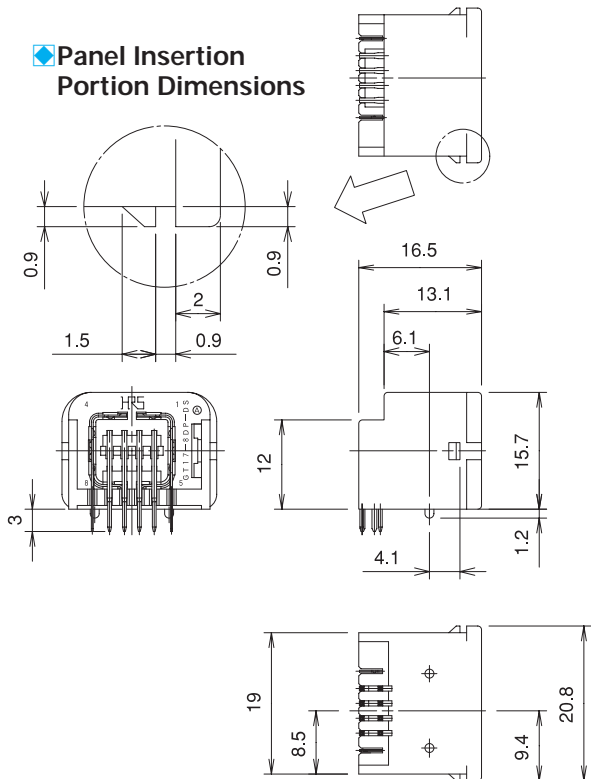


GT17-8DP-DS

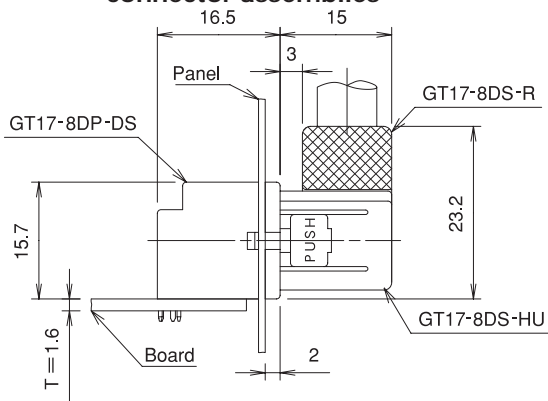


GT17A-8DP-DS

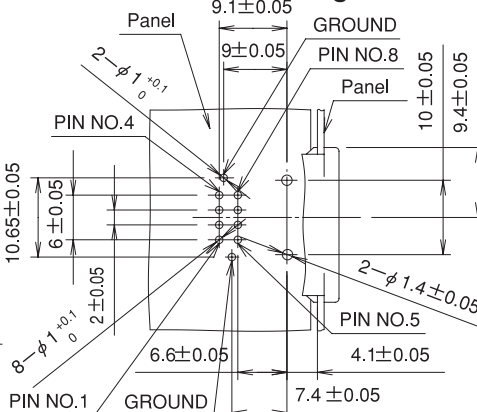
Panel Insertion Portion Dimensions



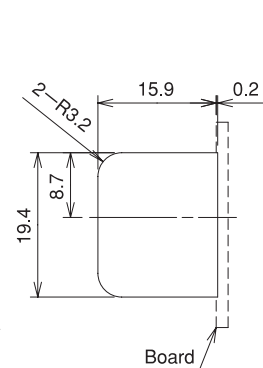
Mounted and fully mated connector assemblies



Recommended PCB Mounting Pattern



Recommended Panel Cut-out



| Part Number | HRS No. | Material | Color | Key Configurations | Direction of Cable Pull-off | Packaging |
|------------------|---------------|--|------------|--------------------|---|-----------|
| GT17-8DP-DS | 767-0001-9 | Brass (Center terminal) Phosphor bronze (Outer terminals) | Light gray | ① | Upward with respect to the mounting surface | 1 |
| GT17A-8DP-DS | 767-0002-1 | PBT (Housing) | Black | ② | | 1 |
| GT17-8DP-DS(70) | 767-0001-9-70 | | Light gray | ① | | 1 |
| GT17A-8DP-DS(70) | 767-0002-1-70 | | Black | ② | | 1 |

(70):Pb free products.

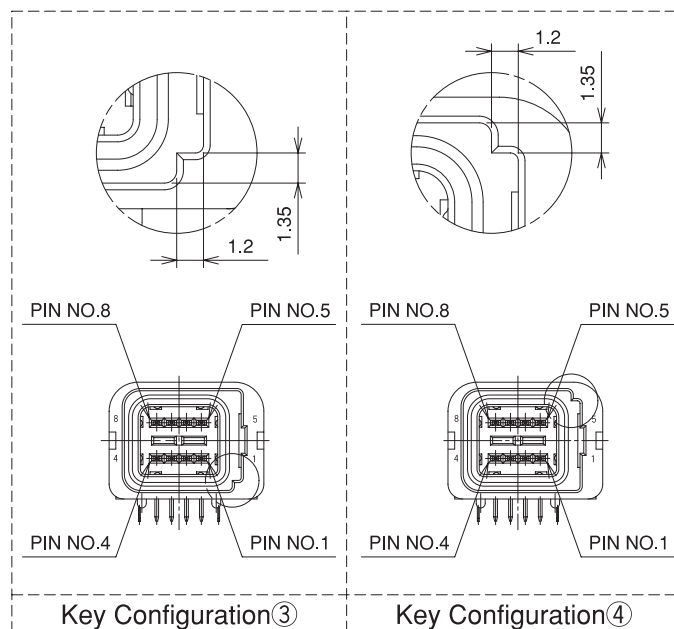
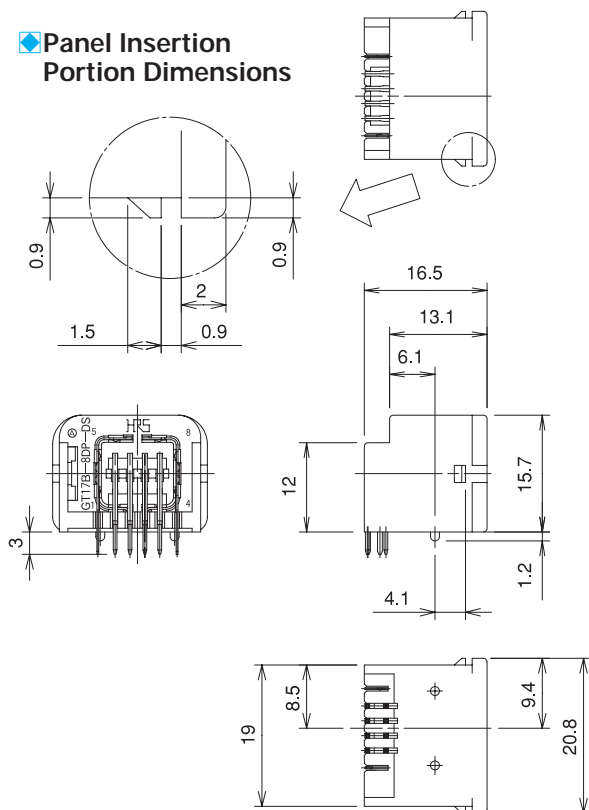


GT17B-8DP-DS

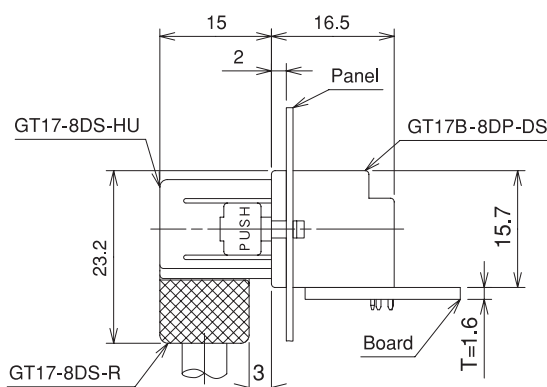


GT17C-8DP-DS

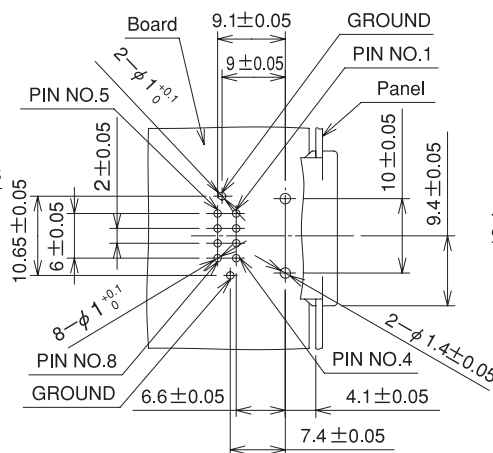
◆ Panel Insertion Portion Dimensions



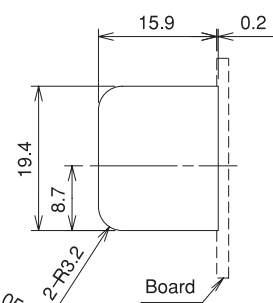
◆ Mounted and fully mated connector assemblies



◆ Recommended PCB Mounting Pattern



◆ Recommended Panel Cut-out



| Part Number | HRS No. | Material | Color | Key Configurations | Direction of Cable Pull-off | Packaging |
|------------------|---------------|--|------------|--------------------|---|-----------|
| GT17B-8DP-DS | 767-0020-3 | Brass (Center terminal) Phosphor bronze (Outer terminals) | Light gray | ③ | Downward with respect to the mounting surface | 1 |
| GT17C-8DP-DS | 767-0021-6 | PBT (Housing) | Black | ④ | | 1 |
| GT17B-8DP-DS(70) | 767-0020-3-70 | | Light gray | ③ | | 1 |
| GT17C-8DP-DS(70) | 767-0021-6-70 | | Black | ④ | | 1 |

(70):Pb free products.

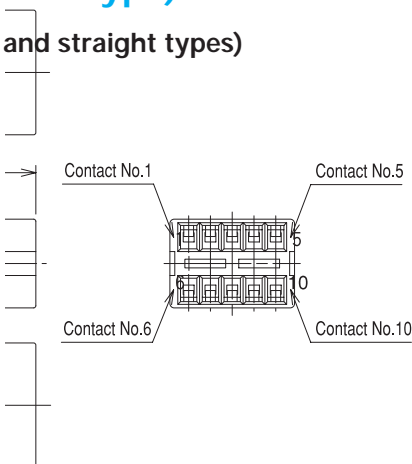
GT17 Series

Coaxial cable connection of Antennas, Sensors, and Communication Trunk Lines

- GT 1
- GT 5
- GT 13
- GT 16
- PO5G
- GT 11
- GT 14
- GT 17
- GT 19N
- GT 2
- GT 3
- GT 6W
- GT 7
- GT 10
- GT 12
- GT 18W
- GT 15
- GT 8
- GT 9

F Connectors (10-Conductor Type)

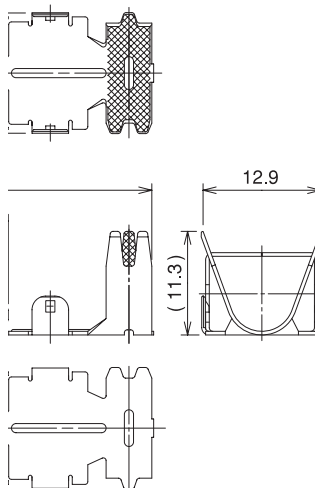
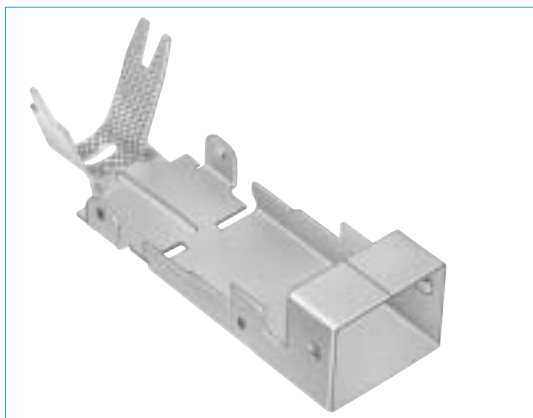
● Insulator (used for both right-angle and straight types)



| Part Number | CL No. | Material | Color | Packaging |
|---------------|------------|----------|-----------|-----------|
| GT17V-10DS-2C | 767-0036-3 | PBT | Dark gray | 1 |

Note: Applicable Cable will have an Insulator diameter of 0.7 to 1.3 mm.

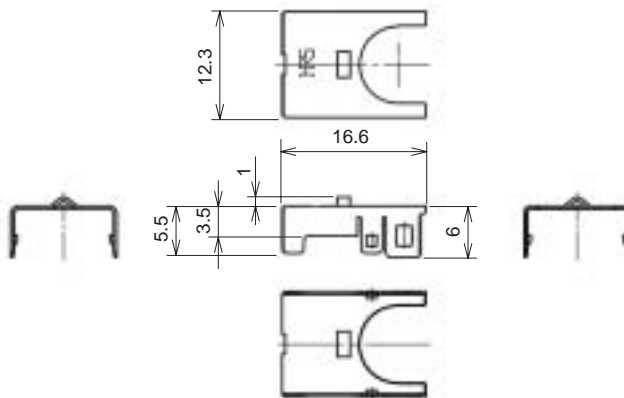
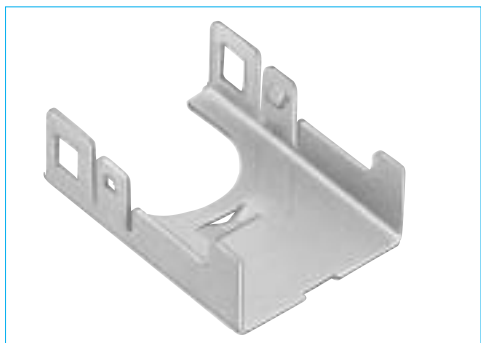
● Outer terminals (Right Angle Type)



| Part Number | CL No. | Material | Finish | Outer Diameter | Packaging |
|----------------|------------|--------------|-------------|----------------|-----------|
| GT17V-10DS-8CF | 767-0037-6 | Copper alloy | Tin plating | 7.5 to 8.0 mm | 1 |

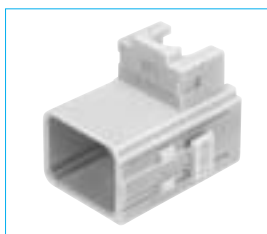
Note: The crimping conditions will differ depending on the construction and material of the cable. In view of this, please make arrangements to ascertain whether crimping is possible for each cable.

● Shield Cover (Right Angle Type)

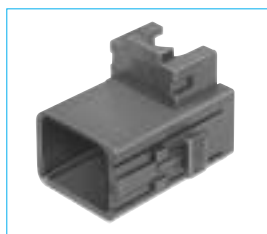


| Part Number | CL No. | Material | Finish | Packaging |
|---------------|------------|--------------|-------------|-----------|
| GT17V-10DS-SC | 767-0038-9 | Copper alloy | Tin plating | 1 |

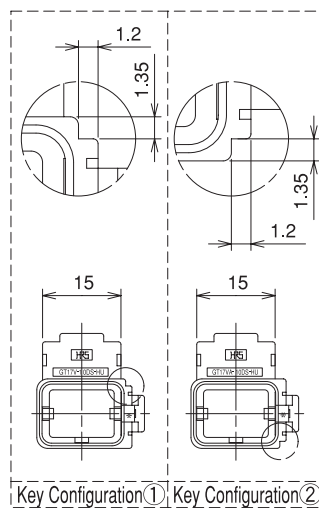
● Housing (Right-angle Type)



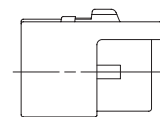
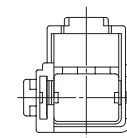
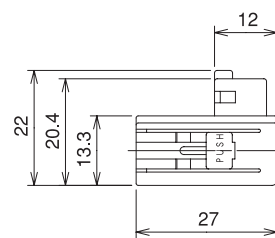
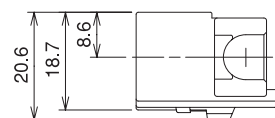
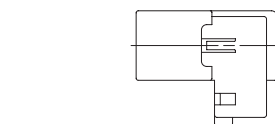
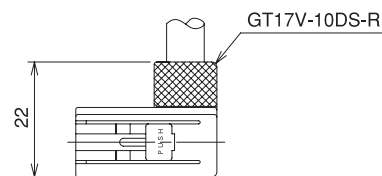
GT17V-10DS-HU



GT17VA-10DS-HU



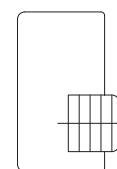
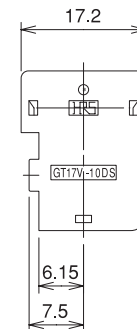
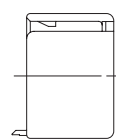
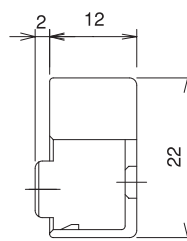
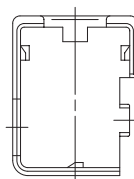
◆ Shown with inserted retainer



| Part Number | CL No. | Material | Color | Key Configurations | Packaging |
|----------------|------------|----------|------------|--------------------|-----------|
| GT17V-10DS-HU | 767-0039-1 | PBT | Light gray | ① | 1 |
| GT17VA-10DS-HU | 767-0040-0 | PBT | Black | ② | 1 |

Note: Used with the separate retainer (GT17-10DS-R).

● Retainer (Right-angle Type)

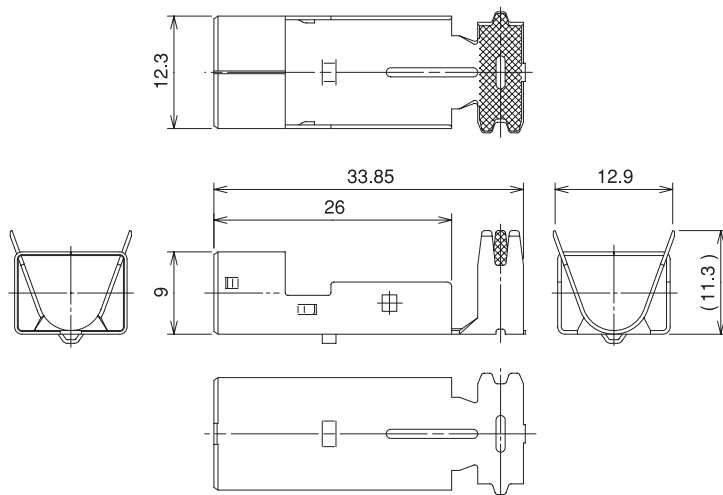
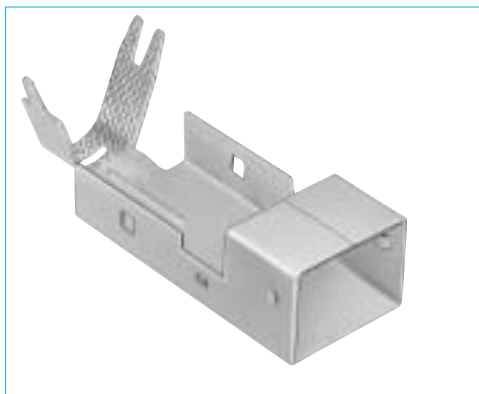


| Part Number | CL No. | Material | Color | Packaging |
|--------------|------------|----------|-----------|-----------|
| GT17V-10DS-R | 767-0041-3 | PBT | Dark gray | 1 |

Note: Applicable Cable will have an outside sheath diameter of 7.5 to 8.0 mm.

GT17 Series

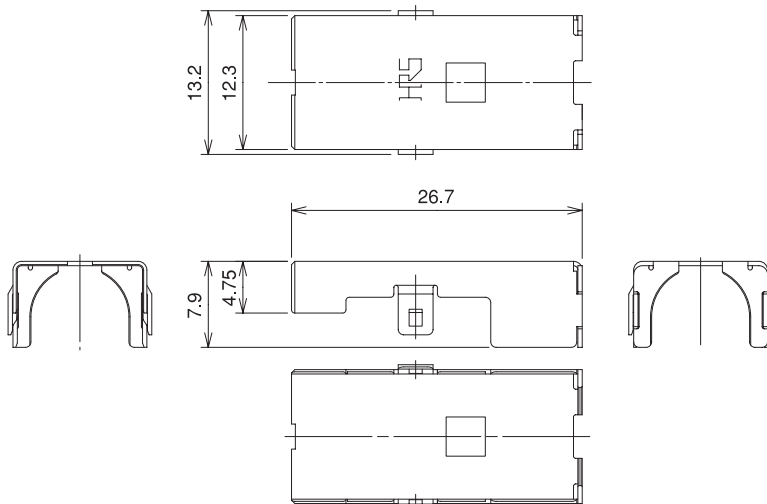
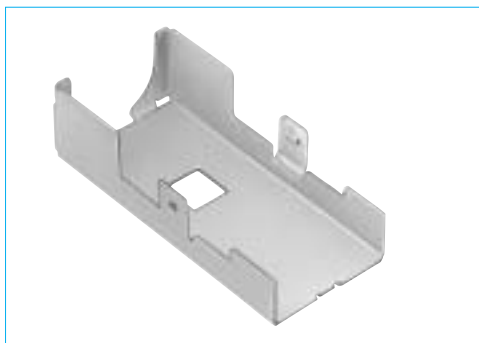
● Outer terminals (Straight Type)



| Part Number | CL No. | Material | Finish | Outer Diameter | Packaging |
|-----------------|------------|--------------|-------------|----------------|-----------|
| GT17VS-10DS-8CF | 767-0059-9 | Copper alloy | Tin plating | 7.5 to 8.0 mm | 1 |

Note: The crimping conditions will differ depending on the construction and material of the cable. In view of this, please make arrangements to ascertain whether crimping is possible for each cable.

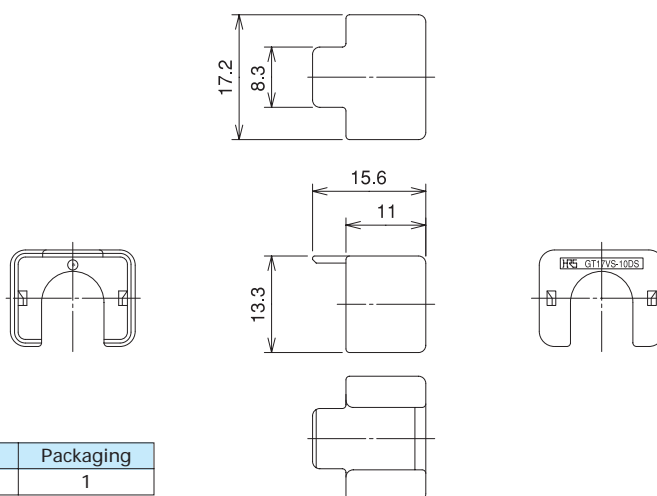
● Shield Cover (Straight Type)



| Part Number | CL No. | Material | Finish | Packaging |
|----------------|------------|--------------|-------------|-----------|
| GT17VS-10DS-SC | 767-0060-8 | Copper alloy | Tin plating | 1 |

Note: Applicable Cables will have an outside sheath diameter of 7.5 to 8.0 mm.

● Retainer (Straight Type)

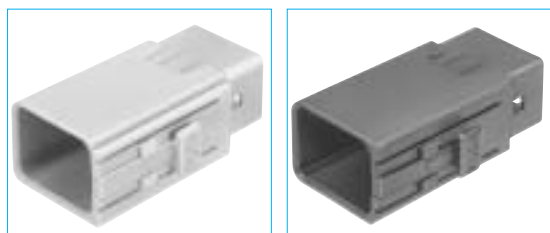


| Part Number | CL No. | Material | Color | Packaging |
|---------------|------------|----------|-----------|-----------|
| GT17VS-10DS-R | 767-0063-6 | PBT | Dark gray | 1 |

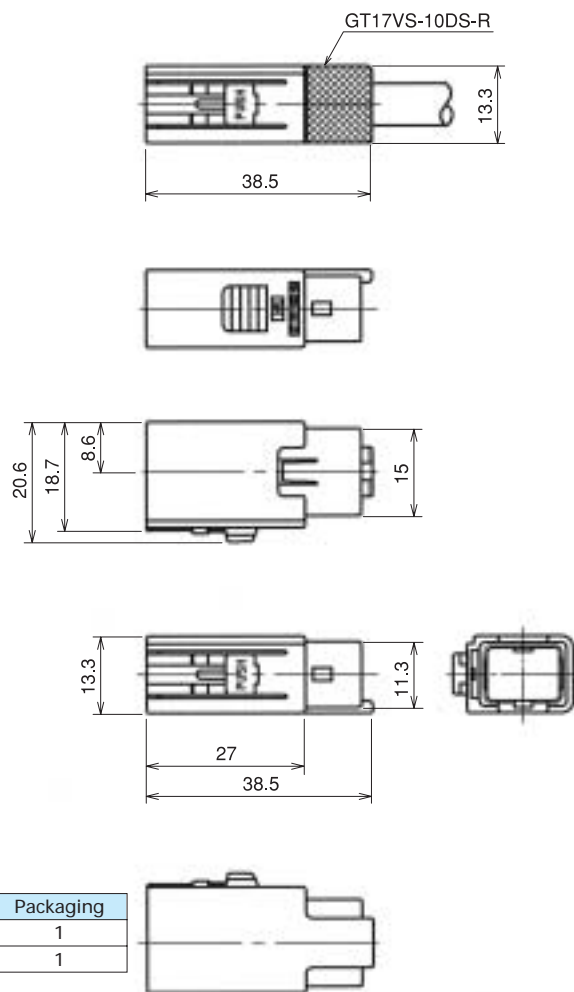
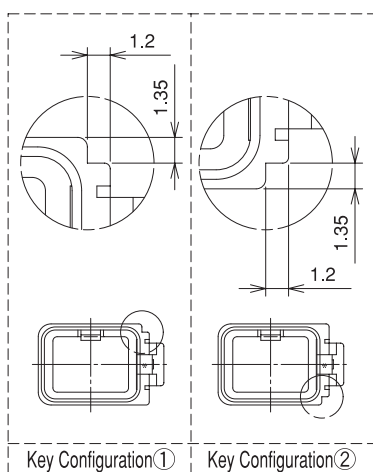
Note: Applicable Cables will have an outside sheath diameter of 7.5 to 8.0 mm.

● Housing (Straight Type)

◆ Shown with inserted retainer



GT17VS-10DS-HU GT17VSA-10DS-HU



| Part Number | CL No. | Material | Color | Key Configurations | Packaging |
|-----------------|------------|----------|------------|--------------------|-----------|
| GT17VS-10DS-HU | 767-0061-0 | PBT | Light gray | ① | 1 |
| GT17VSA-10DS-HU | 767-0062-3 | PBT | Black | ② | 1 |

Note 1: Used with the separate retainer (GT17-10DS-R).
 Note 2: Applicable Cable will have an outside sheath diameter of 7.5 to 8.0 mm.

◆ F Connector (10-Conductor Type) Composition Table

| Inner Terminal | Insulator | Outer Terminal | Shield Cover | Housing | Retainer |
|----------------|---------------|-----------------|----------------|-----------------------------------|---------------|
| GT17-2022SCF | GT17V-10DS-2C | GT17V-10DS-8CF | GT17V-10DS-SC | GT17V-10DS-HU | GT17V-10DS-R |
| GT17-2428SCF | | GT17V-10DS-8CF | GT17V-10DS-SC | GT17VA-10DS-HU | |
| GT17-30SCF | | GT17VS-10DS-8CF | GT17VS-10DS-SC | GT17VS-10DS-HU GT17VSA-10DS-HU | GT17VS-10DS-R |

◆ 10-Conductor Type Mating Table

| F Connector | M Connector | Color |
|-----------------|------------------|------------|
| GT17V-10DS-HU | GT17V-10DP-DS | Light gray |
| GT17VS-10DS-HU | GT17V-10DP-DSA | |
| GT17VA-10DS-HU | GT17V-10DP-DS-SB | Black |
| GT17VSA-10DS-HU | GT17VA-10DP-DS | |
| | GT17VA-10DP-DSA | |
| | GT17VA-10P-DS-SB | |

Coaxial cable connection of Antennas, Sensors, and Communication Trunk Lines

GT 1
GT 5
GT 13
GT 16
PO5G
GT 11
GT 14
GT 17
GT 19N
GT 2
GT 3
GT 6W
GT 7
GT 10
GT 12
GT 18W
GT 15
GT 8
GT 9

GT17 Series

Coaxial cable connection of Antennas, Sensors, and Communication Trunk Lines

GT 1

GT 5

GT 13

GT 16

GT 5G

GT 11

GT 14

GT 17

GT 19N

GT 2

GT 3

GT 6W

GT 7

GT 10

GT 12

GT 18W

GT 15

GT 8

GT 9

M Connectors (10-Conductor Type)

Printed Circuit Board Type (Right-angle Type)

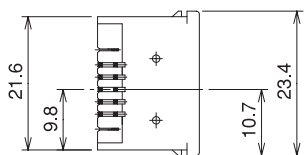
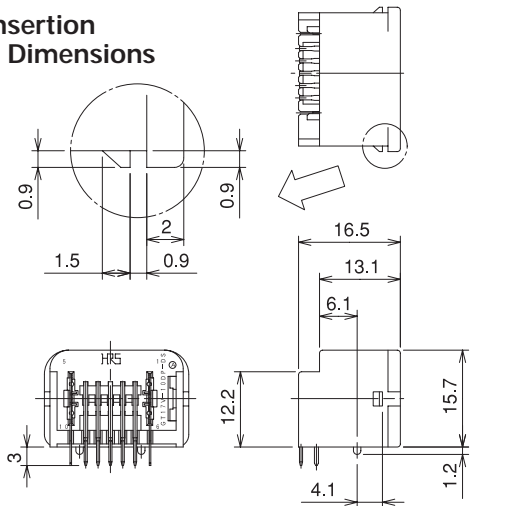


GT17V-10DP-DS

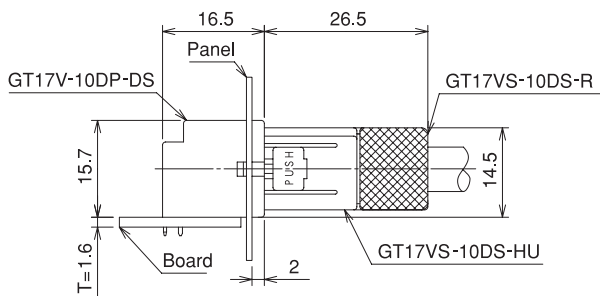


GT17VA-10DP-DS

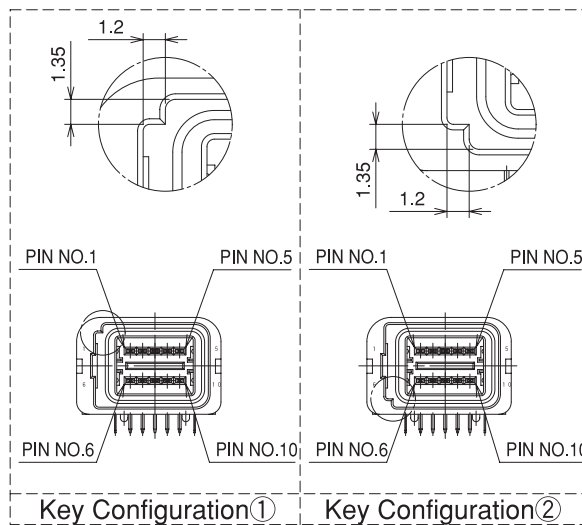
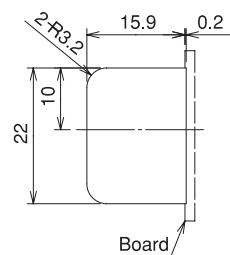
Panel Insertion Portion Dimensions



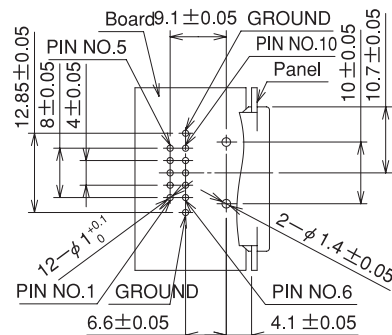
Mounted and fully mated connector assemblies



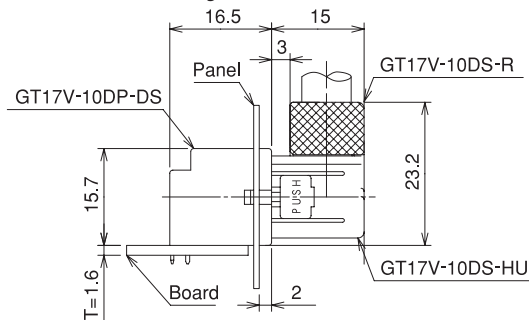
Recommended Panel Cut-out



Recommended PCB Mounting Pattern



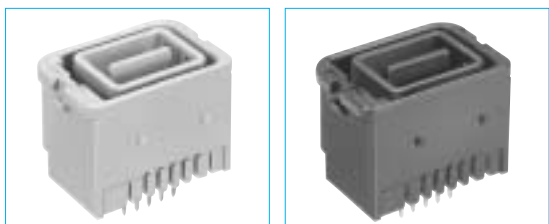
Mounted and fully mated connector assemblies



| Part Number | HRS No. | Material | Color | Key Configurations | Direction of Cable Pull-off | Packaging |
|--------------------|---------------|--------------------------------|------------|--------------------|---|-----------|
| GT17V-10DP-DS | 767-0034-8 | Brass (Center terminal) | Light gray | ① | Upward with respect to the mounting surface | 1 |
| GT17VA-10DP-DS | 767-0035-0 | Copper alloy (Outer terminals) | Black | ② | | 1 |
| GT17V-10DP-DS(70) | 767-0034-8-70 | PBT (Housing) | Light gray | ① | | 1 |
| GT17VA-10DP-DS(70) | 767-0035-0-70 | | Black | ② | | 1 |

(70):Pb free products.

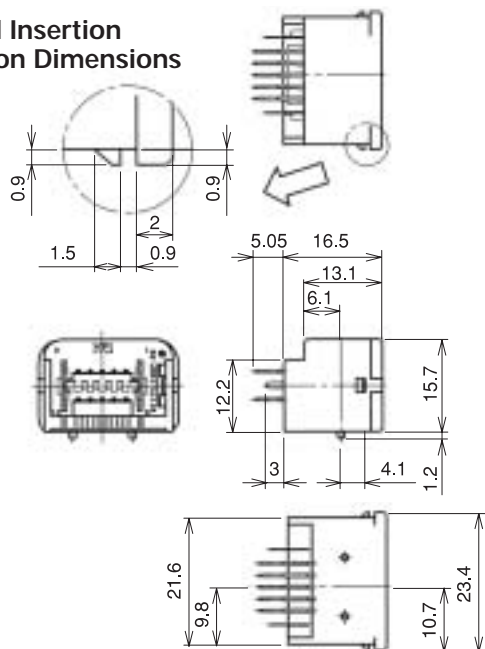
● Printed Circuit Board Type (Straight Type)



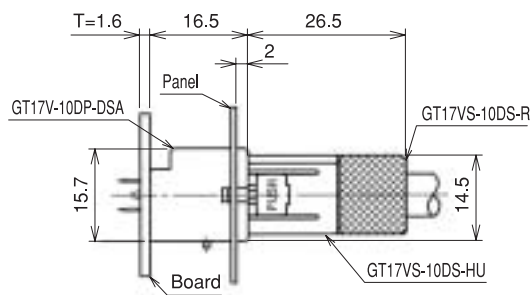
GT17V-10DP-DSA

GT17VA-10DP-DSA

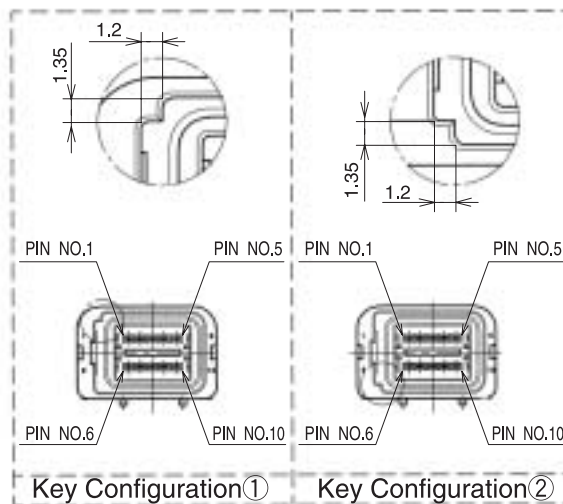
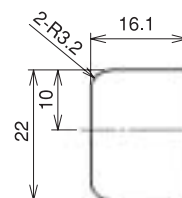
◆ Panel Insertion Portion Dimensions



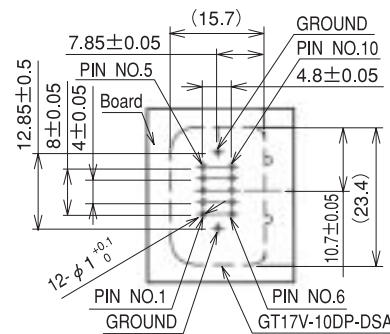
◆ Mounted and fully mated connector assemblies



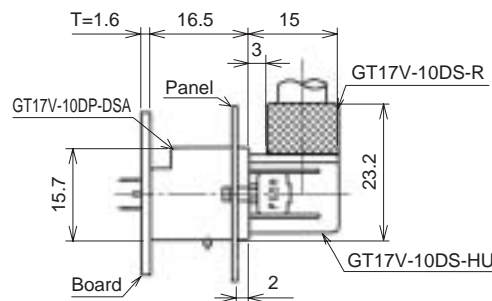
◆ Recommended Panel Cut-out



◆ Recommended PCB Mounting Pattern



◆ Mounted and fully mated connector assemblies



| Part Number | HRS No. | Material | Color | Key Configurations | Direction of Cable Pull-off | Packaging |
|---------------------|---------------|--|------------|--------------------|--|-----------|
| GT17V-10DP-DSA | 767-0067-7 | Brass (Center terminal) Copper alloy (Outer terminals) PBT (Housing) | Light gray | ① | Upward with respect to the mounting surface | 1 |
| GT17VA-10DP-DSA | 767-0068-0 | | Black | ② | | 1 |
| GT17V-10DP-DSA(70) | 767-0067-7-70 | Light gray | ① | 1 | | |
| GT17VA-10DP-DSA(70) | 767-0068-0-70 | Black | ② | 1 | | |

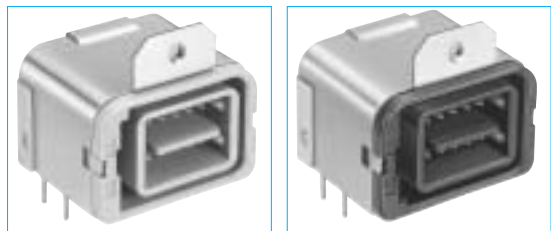
(70):Pb free products.

GT17 Series

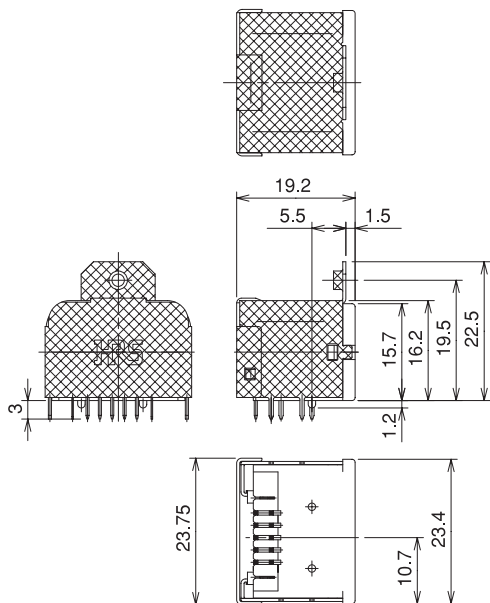
Coaxial cable connection of Antennas, Sensors, and Communication Trunk Lines

- GT 1
- GT 5
- GT 13
- GT 16
- GT 19
- GT 2
- GT 3
- GT 6W
- GT 7
- GT 10
- GT 12
- GT 18W
- GT 15
- GT 8
- GT 9

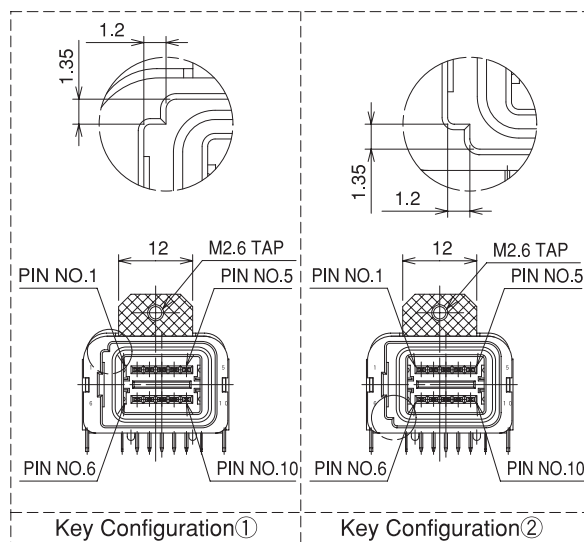
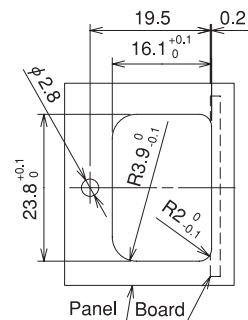
● Printed Circuit Board Type (Shield Reinforced Type)



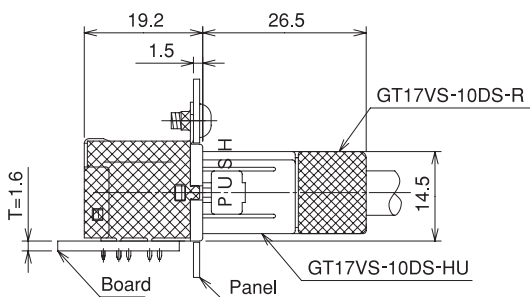
GT17V-10DP-DS-SB GT17VA-10DP-DS-SB



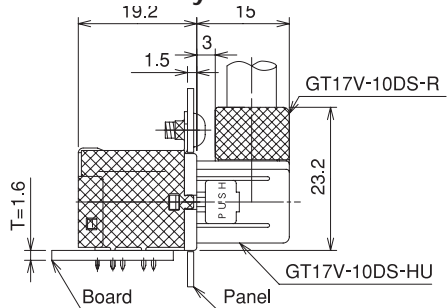
◆ Recommended Panel Cut-out



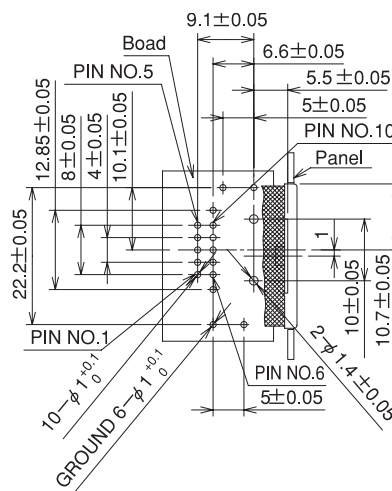
◆ Mounted and fully mated connector assemblies



◆ Mounted and fully mated connector assemblies



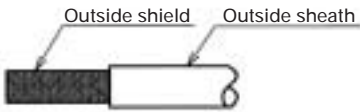
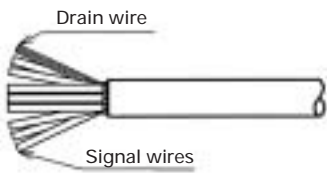
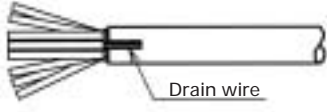
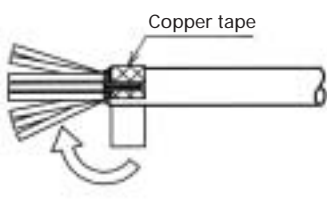
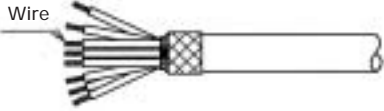
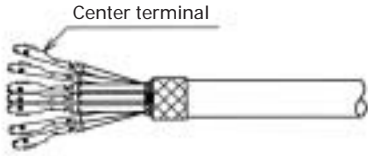

◆ Recommended PCB Mounting Pattern



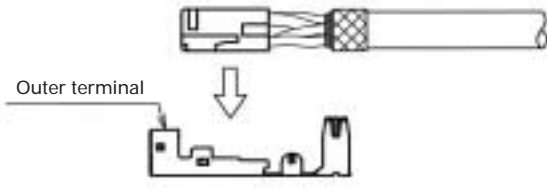
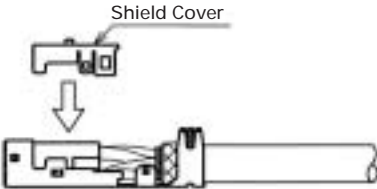



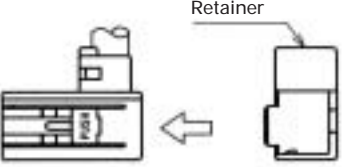
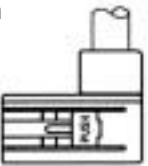
| Part Number | HRS No. | Material | Color | Key Configurations | Direction of Cable Pull-off | Packaging |
|-----------------------|---------------|--------------------------------|------------|--------------------|---|-----------|
| GT17V-10DP-DS-SB | 767-0069-2 | Brass (Center terminal) | Light gray | ① | Upward with respect to the mounting surface | 1 |
| GT17VA-10DP-DS-SB | 767-0070-1 | Copper alloy (Outer terminals) | Black | ② | | 1 |
| GT17V-10DP-DS-SB(70) | 767-0069-2-70 | Brass (Shield) | Light gray | ① | | 1 |
| GT17VA-10DP-DS-SB(70) | 767-0070-1-70 | | Black | ② | | 1 |

(70):Pb free products.

◆ Wiring Method

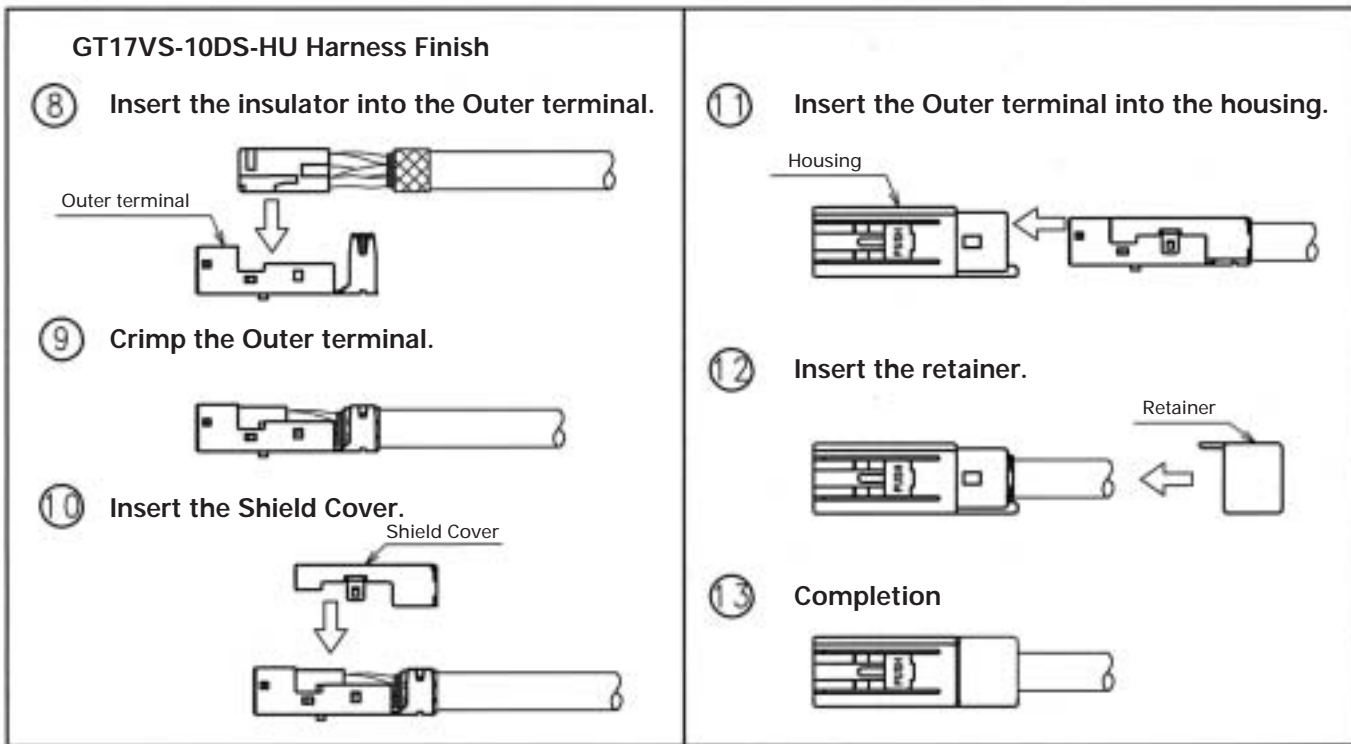
- ① Strip the outside sheath.
 
- ② Cut the shield and intermediate material to expose the wire and braid.
 
- ③ Bend back the drain wire over the sheath.
 
- ④ Wrap with copper tape.
 
- ⑤ Strip the wire leads.
 
- ⑥ Crimp the center terminals.
 
- ⑦ Insert the center terminals into the insulator.
 

GT17V-10DS-HU Harness Finish

- ⑧ Insert the insulator into the Outer terminal.
 
- ⑨ Insert the Shield Cover.
 
- ⑩ Fold back the Outer terminal.
 
- ⑪ Crimp the Outer terminal.
 
- ⑫ Insert the Outer terminal into the housing.
 
- ⑬ Insert the retainer.
 
- ⑭ Completion
 

GT17 Series

Coaxial cable connection of Antennas, Sensors, and Communication Trunk Lines
 GT 1
 GT 5
 GT 13
 GT 16
 GT 5G
 GT 11
 GT 14
 GT 17
 GT 19N
 GT 2
 GT 3
 GT 6W
 GT 7
 GT 10
 GT 12
 GT 18W
 GT 15
 GT 8
 GT 9



◆ Termination Tools

User's manuals are available. Please ask your Hirose Electric account representative.

◆ Specifications

| Item | Specification | Remarks |
|-------------------|---------------------------|---------------|
| Specification | 1.5ton | |
| Stroke Length | 30mm | |
| Number of strokes | 200spm (50Hz) | 240spm (60Hz) |
| Weight | 75kg | |
| Motor | 0.2kW | AC100V |
| Crimping speed | 2000 to 4000 pcs. per day | |

Automatic Crimping Machine



Part Number CM-105

Hand Press



* Crimp height setting tables are available for each cable type. Please contact your nearest Hirose Electric account representative. Different cables will require different crimp height settings.

Компания «Океан Электроники» предлагает заключение долгосрочных отношений при поставках импортных электронных компонентов на взаимовыгодных условиях!

Наши преимущества:

- Поставка оригинальных импортных электронных компонентов напрямую с производств Америки, Европы и Азии, а так же с крупнейших складов мира;
- Широкая линейка поставок активных и пассивных импортных электронных компонентов (более 30 млн. наименований);
- Поставка сложных, дефицитных, либо снятых с производства позиций;
- Оперативные сроки поставки под заказ (от 5 рабочих дней);
- Экспресс доставка в любую точку России;
- Помощь Конструкторского Отдела и консультации квалифицированных инженеров;
- Техническая поддержка проекта, помощь в подборе аналогов, поставка прототипов;
- Поставка электронных компонентов под контролем ВП;
- Система менеджмента качества сертифицирована по Международному стандарту ISO 9001;
- При необходимости вся продукция военного и аэрокосмического назначения проходит испытания и сертификацию в лаборатории (по согласованию с заказчиком);
- Поставка специализированных компонентов военного и аэрокосмического уровня качества (Xilinx, Altera, Analog Devices, Intersil, Interpoint, Microsemi, Actel, Aeroflex, Peregrine, VPT, Syfer, Eurofarad, Texas Instruments, MS Kennedy, Miteq, Cobham, E2V, MA-COM, Hittite, Mini-Circuits, General Dynamics и др.);

Компания «Океан Электроники» является официальным дистрибьютором и эксклюзивным представителем в России одного из крупнейших производителей разъемов военного и аэрокосмического назначения «JONHON», а так же официальным дистрибьютором и эксклюзивным представителем в России производителя высокотехнологичных и надежных решений для передачи СВЧ сигналов «FORSTAR».



JONHON

«JONHON» (основан в 1970 г.)

Разъемы специального, военного и аэрокосмического назначения:

(Применяются в военной, авиационной, аэрокосмической, морской, железнодорожной, горно- и нефтедобывающей отраслях промышленности)

«FORSTAR» (основан в 1998 г.)

ВЧ соединители, коаксиальные кабели, кабельные сборки и микроволновые компоненты:

(Применяются в телекоммуникациях гражданского и специального назначения, в средствах связи, РЛС, а так же военной, авиационной и аэрокосмической отраслях промышленности).



Телефон: 8 (812) 309-75-97 (многоканальный)

Факс: 8 (812) 320-03-32

Электронная почта: ocean@oceanchips.ru

Web: <http://oceanchips.ru/>

Адрес: 198099, г. Санкт-Петербург, ул. Калинина, д. 2, корп. 4, лит. А