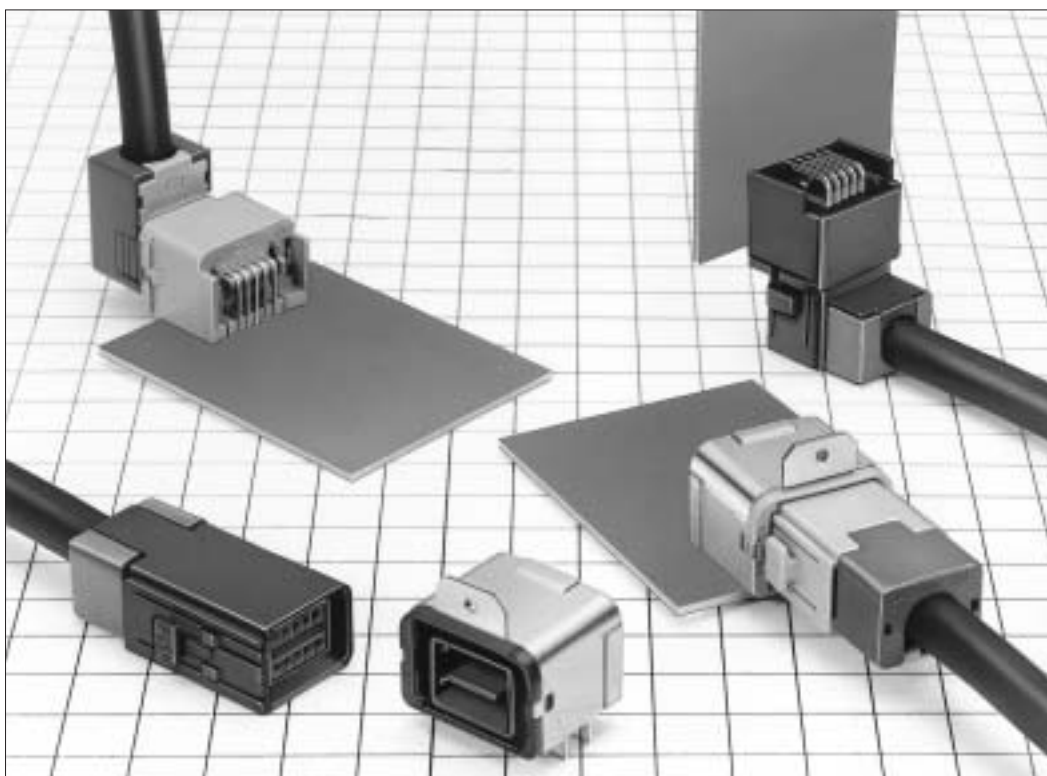


## Antenna, Sensor, and Communications Trunk Line Connections

# GT17 Series

— Ideal as Automotive USB Connectors —  
<2 mm pitch>



### ■ Features

- All surface shielded construction.
- Ideal for use as Automotive USB connectors.

### ■ Applications

In-car data communications, etc.

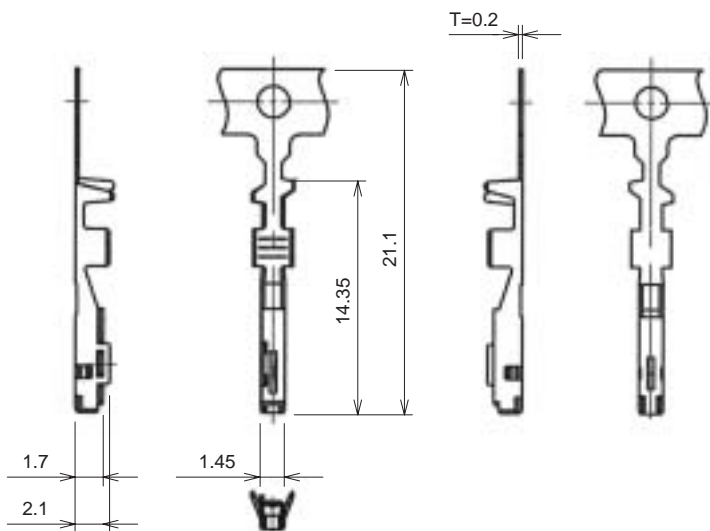
GT17 Series

Coaxial cable connection of Antennas, Sensors, and Communication Trunk Lines

- GT 1
- GT 5
- GT 13
- GT 16
- PO5G
- GT 11
- GT 14
- GT 17**
- GT 19N
- GT 2
- GT 3
- GT 6W
- GT 7
- GT 10
- GT 12
- GT 18W
- GT 15
- GT 8
- GT 9

## F Connectors

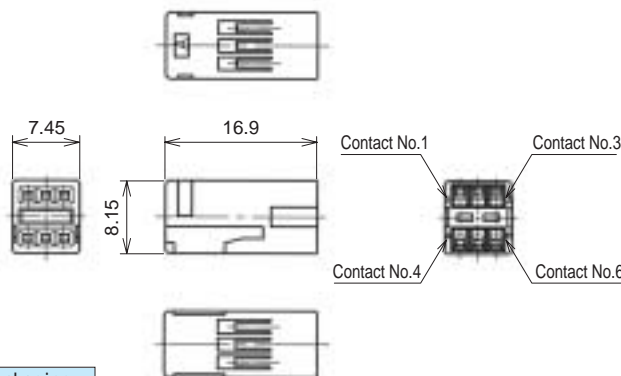
### Center Terminals (Used with 6, 8, and 10 conductor cable)



Part Number	CL No.	Material	Finish	Conductor Size (AWG)	Outer Diameter	Packaging
GT17-2022SCF	767-0009-0	Copper alloy	Tin plating	#20 to 22	1.1 to 1.3 mm	10,000 pcs. per reel
GT17-2428SCF	767-0010-0	Copper alloy	Tin plating	#24 to 28	0.7 to 1.0 mm	10,000 pcs. per reel
GT17-30SCF	767-0064-9	Copper alloy	Tin plating	#30	1.1 to 1.3 mm	10,000 pcs. per reel

## F Connectors (6-Conductor Type)

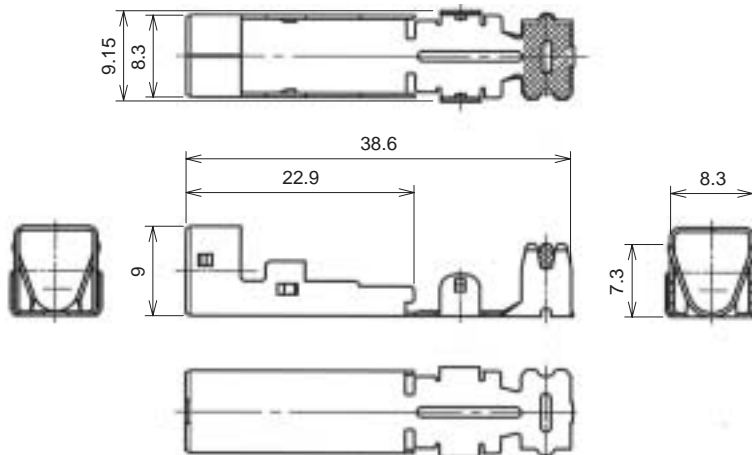
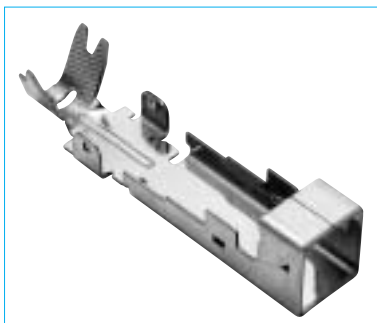
### Insulator



Part Number	CL No.	Material	Color	Packaging
GT17V-6DS-2C	767-0026-0	PBT	Dark gray	1

Note: Applicable Cable will have an Insulator diameter of 0.7 to 1.3 mm.

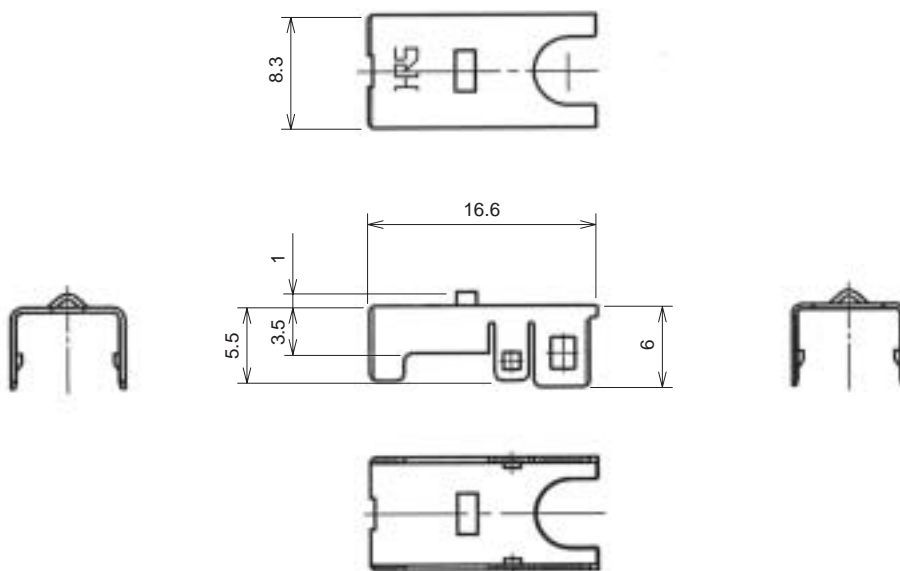
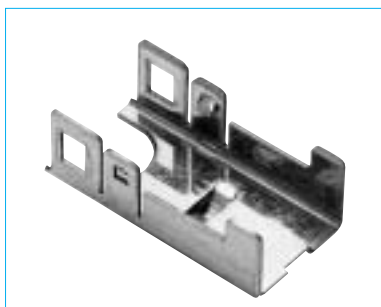
### Outer terminal



Part Number	CL No.	Material	Finish	Outer Diameter	Packaging
GT17V-6DS-5CF	767-0027-2	Copper alloy	Tin plating	4.8 to 5.2 mm	1

Note: The crimping conditions will differ depending on the construction and material of the cable. In view of this, please make arrangements to ascertain whether crimping is possible for each cable.

● Shield Cover

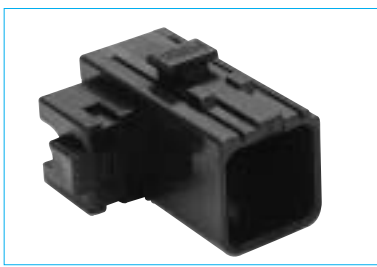


Part Number	CL No.	Material	Finish	Packaging
GT17V-6DS-SC	767-0028-5	Copper alloy	Tin plating	1

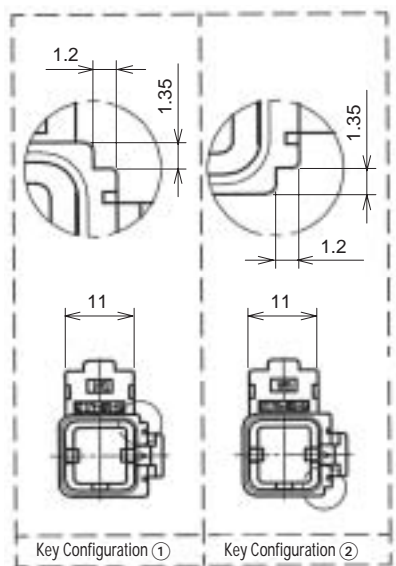
● Housing



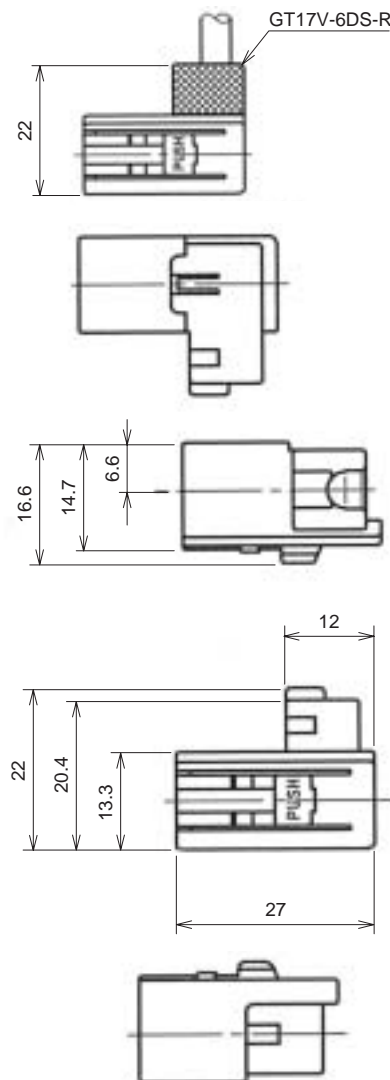
GT17V-6DS-HU



GT17VA-6DS-HU



◆ Shown with inserted retainer



Part Number	CL No.	Material	Color	Key Configurations	Packaging
GT17V-6DS-HU	767-0029-8	PBT	Light gray	①	1
GT17VA-6DS-HU	767-0030-7	PBT	Black	②	1

Note 1: Used with the separate retainer (GT17V-6DS-R).

Note 2: Applicable Cable will have an outside sheath diameter of 4.8 to 5.2 mm.

Coaxial cable connection of Antennas, Sensors, and Communication Trunk Lines

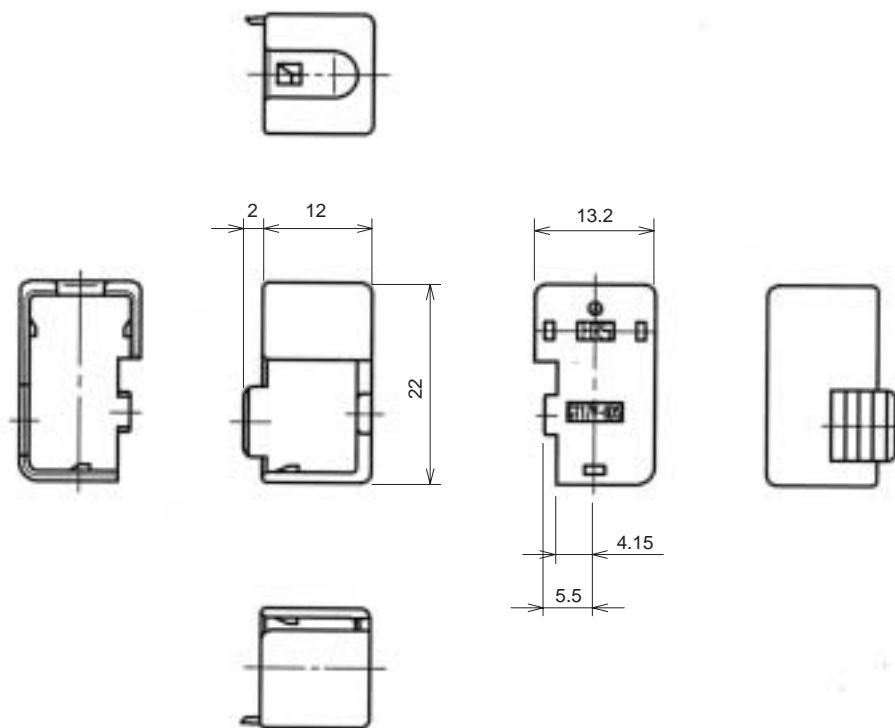
- GT 1
- GT 5
- GT 13
- GT 16
- PO5G
- GT 11
- GT 14
- GT 17
- GT 19N
- GT 2
- GT 3
- GT 6W
- GT 7
- GT 10
- GT 12
- GT 18W
- GT 15
- GT 8
- GT 9

GT17 Series

Coaxial cable connection of Antennas, Sensors, and Communication Trunk Lines

- GT 1
- GT 5
- GT 13
- GT 16
- PO5G
- GT 11
- GT 14
- GT 17**
- GT 19N
- GT 2
- GT 3
- GT 6W
- GT 7
- GT 10
- GT 12
- GT 18W
- GT 15
- GT 8
- GT 9

● Retainer (Used with GT17V-6DS-HU and GT17VA-6DS-HU)



Part Number	CL No.	Material	Color	Packaging
GT17V-6DS-R	767-0031-0	PBT	Dark gray	1

Note: Applicable Cable will have an Insulator diameter of 4.8 to 5.2 mm.

◆ F Connector (6-Conductor Type) Composition Table

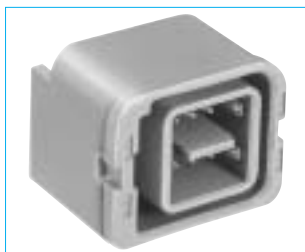
Inner Terminal	Insulator	Outer Terminal	Shield Cover	Housing	Retainer
GT17-2022SCF	GT17V-6DS-2C	GT17V-6DS-5CF	GT17V-6DS-SC	GT17V-6DS-HU	GT17V-6DS-R
GT17-2428SCF				GT17VA-6DS-HU	
GT17-30SCF					

◆ 6-Conductor Type Mating Table

F Connector	M Connector	Color
GT17V-6DS-HU	GT17V-6DP-DS	Light gray
	GT17VB-6DP-DS	
GT17VA-6DS-HU	GT17VA-6DP-DS	Black
	GT17VC-6DP-DS	

## M Connectors (6-Conductor Type)

### ● Printed Circuit Board Type

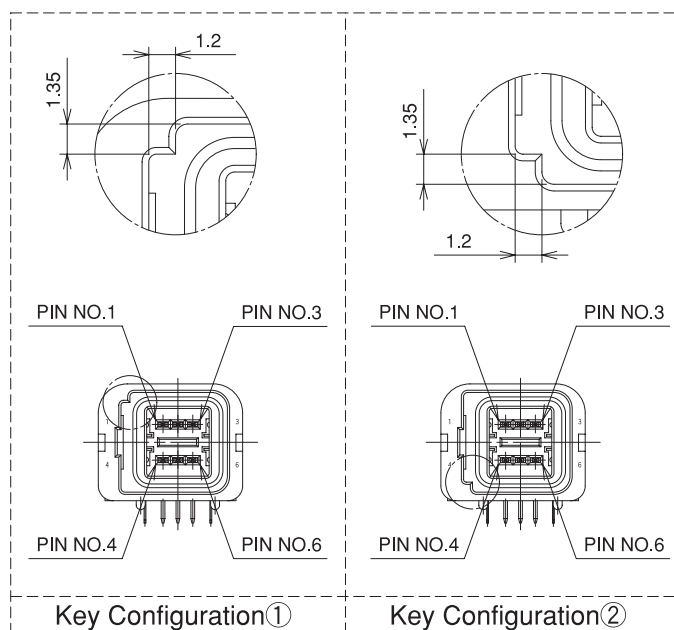
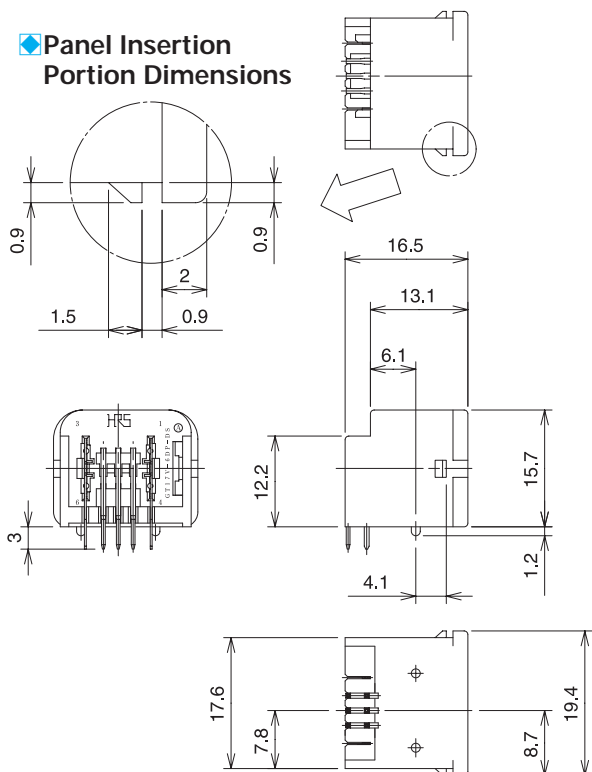


GT17V-6DP-DS

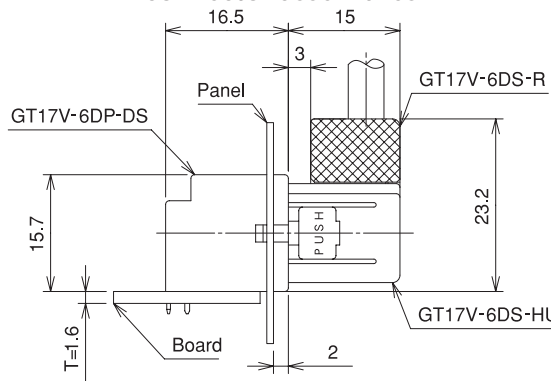


GT17VA-6DP-DS

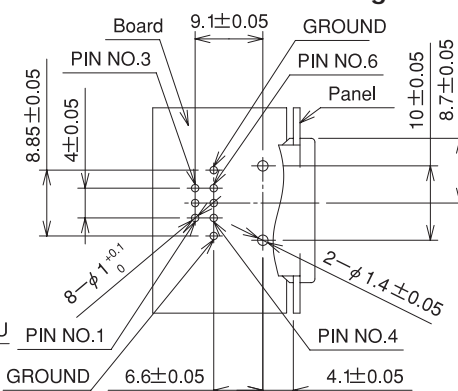
#### ◆ Panel Insertion Portion Dimensions



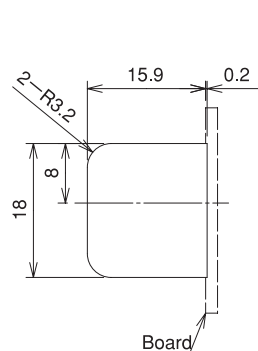
#### ◆ Mounted and fully mated connector assemblies



#### ◆ Recommended PCB Mounting Pattern



#### ◆ Recommended Panel Cut-out



Part Number	HRS No.	Material	Color	Key Configurations	Direction of Cable Pull-off	Packaging
GT17V-6DP-DS	767-0024-4	Brass (Center terminal)	Light gray	①	Upward with respect to the mounting surface	1
GT17VA-6DP-DS	767-0025-7	Copper alloy (Outer terminals)	Black	②		1
GT17V-6DP-DS(70)	767-0024-4-70	PBT (Housing)	Light gray	①		1
GT17VA-6DP-DS(70)	767-0025-7-70		Black	②		1

(70):Pb free products.

GT17 Series

Coaxial cable connection of Antennas, Sensors, and Communication Trunk Lines

- GT 1
- GT 5
- GT 13
- GT 16
- GT 19
- GT 11
- GT 14
- GT 17
- GT 19N
- GT 2
- GT 3
- GT 6W
- GT 7
- GT 10
- GT 12
- GT 18W
- GT 15
- GT 8
- GT 9

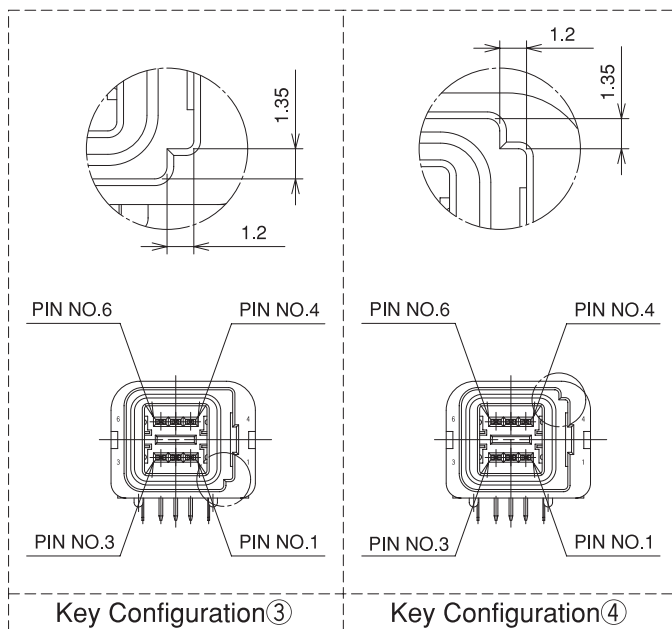
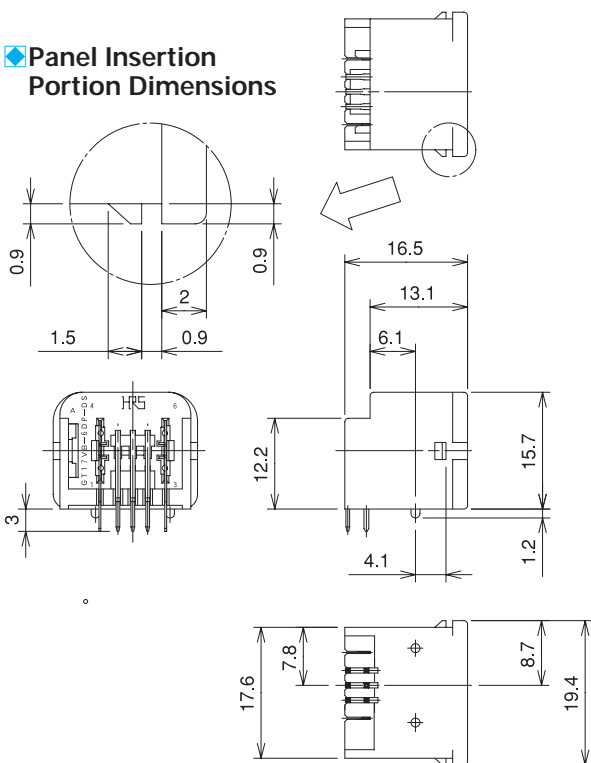


GT17VB-6DP-DS

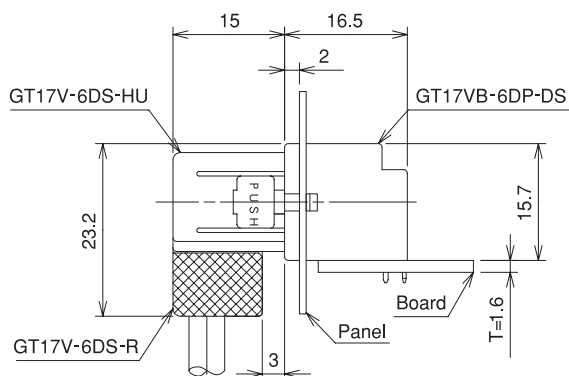


GT17VC-6DP-DS

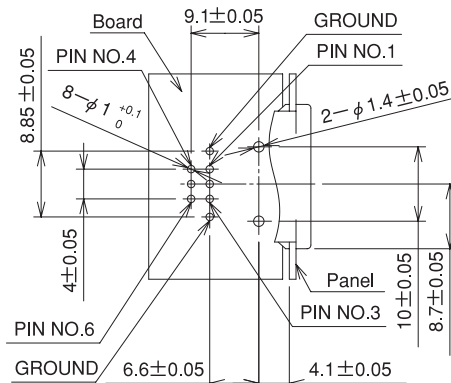
◆ Panel Insertion Portion Dimensions



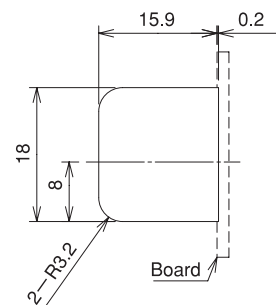
◆ Mounted and fully mated connector assemblies



◆ Recommended PCB Mounting Pattern



◆ Recommended Panel Cut-out

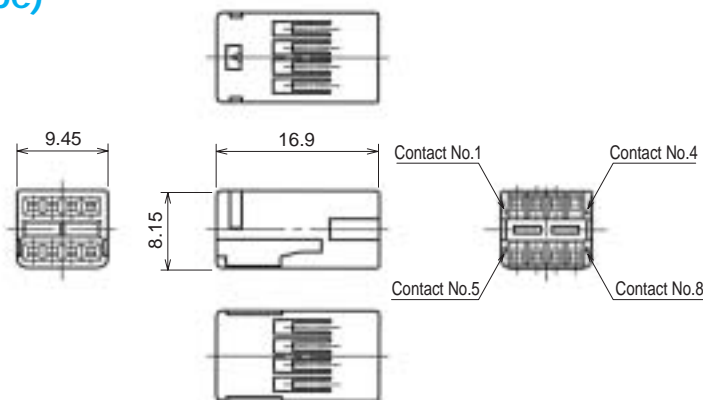


Part Number	HRS No.	Material	Color	Key Configurations	Direction of Cable Pull-off	Packaging
GT17VB-6DP-DS	767-0032-2	Brass (Center terminal)	Light gray	③	Downward with respect to the mounting surface	1
GT17VC-6DP-DS	767-0033-5	Copper alloy (Outer terminals)	Black	④		1
GT17VB-6DP-DS(70)	767-0032-2-70	PBT (Housing)	Light gray	③		1
GT17VC-6DP-DS(70)	767-0033-5-70		Black	④		1

(70):Pb free products.

## F Connectors (8-Conductor Type)

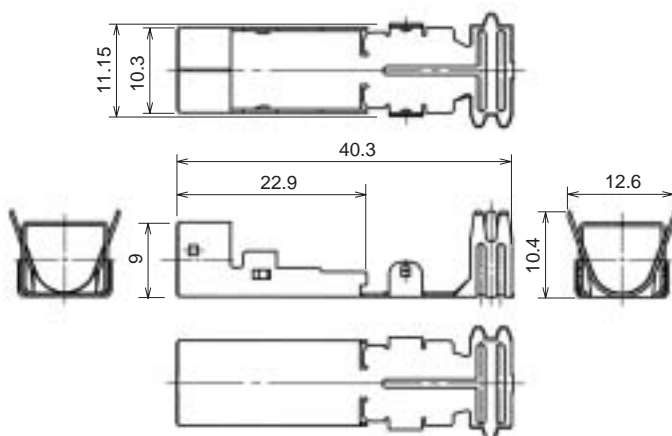
### ● Insulator



Part Number	CL No.	Material	Color	Packaging
GT17-8DS-2C	767-0005-0	PBT	Dark gray	1

Note: Applicable Cable will have an Insulator diameter of 0.7 to 1.3 mm.

### ● Outer terminals

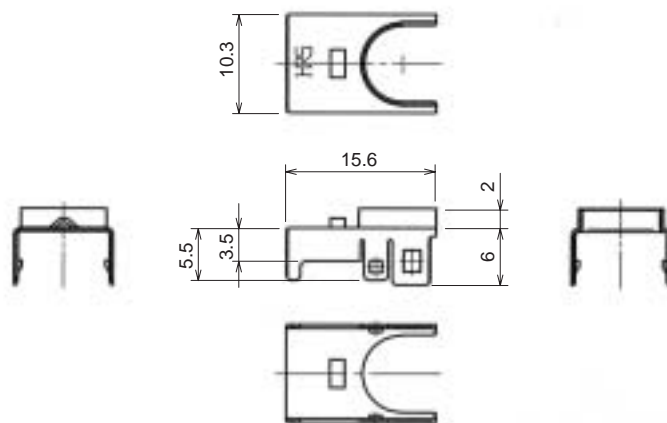


Part Number	CL No.	Material	Finish	Outer Diameter	Packaging
GT17-8DS-7CF	767-0007-5	Phosphor bronze	Tin plating	6.8 to 7.2 mm	1
GT17-8DS-7CF(70)	767-0007-5(70)	Phosphor bronze	Tin plating	6.8 to 7.2 mm	1

(70):Pb free products.

Note: The crimping conditions will differ depending on the construction and material of the cable. In view of this, please make arrangements to ascertain whether crimping is possible for each cable.

### ● Shield Cover



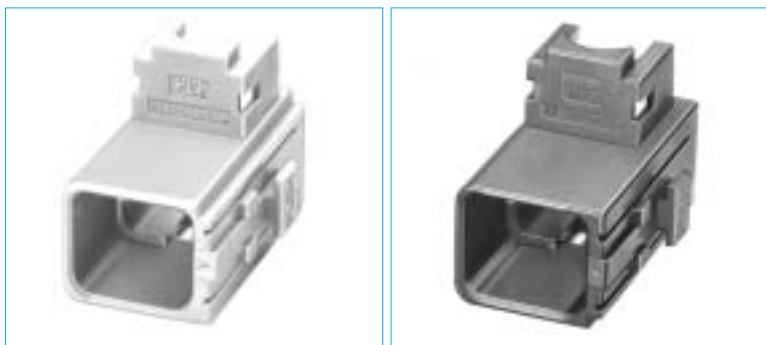
Part Number	CL No.	Material	Finish	Packaging
GT17-8DS-SC	767-0006-2	Brass	Tin plating	1
GT17-8DS-SC(70)	767-0006-2(70)	Brass	Tin plating	1

(70):Pb free products.



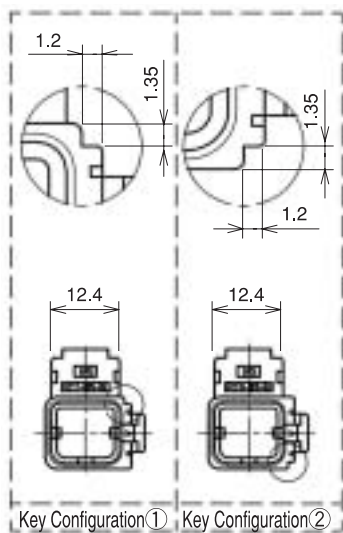
## GT17 Series

### ● Housing



GT17-8DS-HU

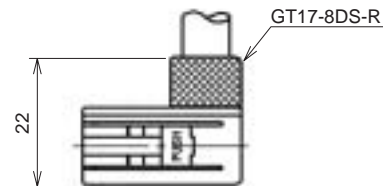
GT17A-8DS-HU



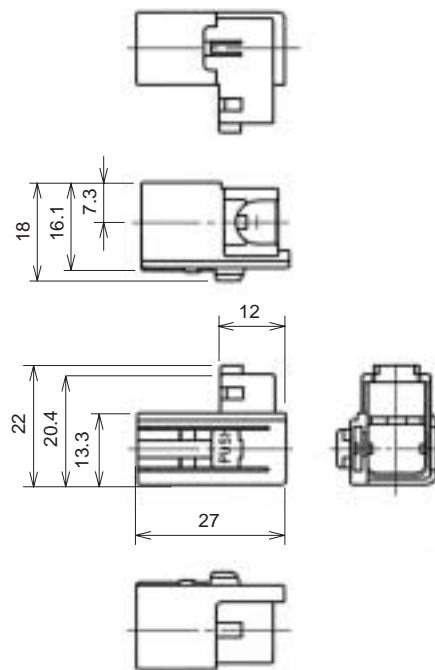
Key Configuration ①

Key Configuration ②

### ◆ Shown with inserted retainer



GT17-8DS-R

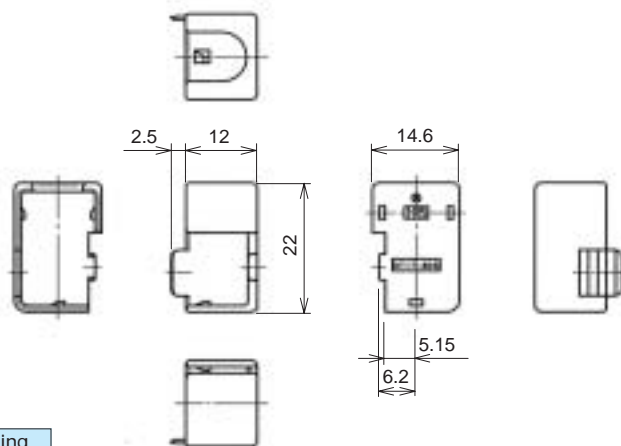


Part Number	CL No.	Material	Color	Key Configurations	Packaging
GT17-8DS-HU	767-0003-4	PBT	Light gray	①	1
GT17A-8DS-HU	767-0004-7	PBT	Black	②	1

Note 1: Used with the separate retainer (GT17-8DS-R).

Note 2: Applicable Cable will have an outside sheath diameter of 6.8 to 7.2 mm.

### ● Retainer



Part Number	CL No.	Material	Color	Packaging
GT17-8DS-R	767-0008-8	PBT	Dark gray	1

Note: Applicable Cables will have an outside sheath diameter of 6.8 to 7.2 mm.



## ◆ F Connector (8-Conductor Type) Composition Table

Inner Terminal	Insulator	Outer Terminal	Shield Cover	Housing	Retainer
GT17-2022SCF	GT17-8DS-2C	GT17-8DS-7CF	GT17-8DS-SC	GT17-8DS-HU	GT17-8DS-R
GT17-2428SCF				GT17A-8DS-HU	
GT17-30SCF					

## ◆ 8-Conductor Type Mating Table

F Connector	M Connector	Color
GT17-8DS-HU	GT17-8DP-DS	Light gray
	GT17B-8DP-DS	
GT17A-8DS-HU	GT17A-8DP-DS	Black
	GT17C-8DP-DS	

GT17 Series

Coaxial cable connection of Antennas, Sensors, and Communication Trunk Lines

- GT 1
- GT 5
- GT 13
- GT 16
- GT 19
- GT 11
- GT 14
- GT 17
- GT 19N
- GT 2
- GT 3
- GT 6W
- GT 7
- GT 10
- GT 12
- GT 18W
- GT 15
- GT 8
- GT 9

## M Connectors (8-Conductor Type)

### Printed Circuit Board Type

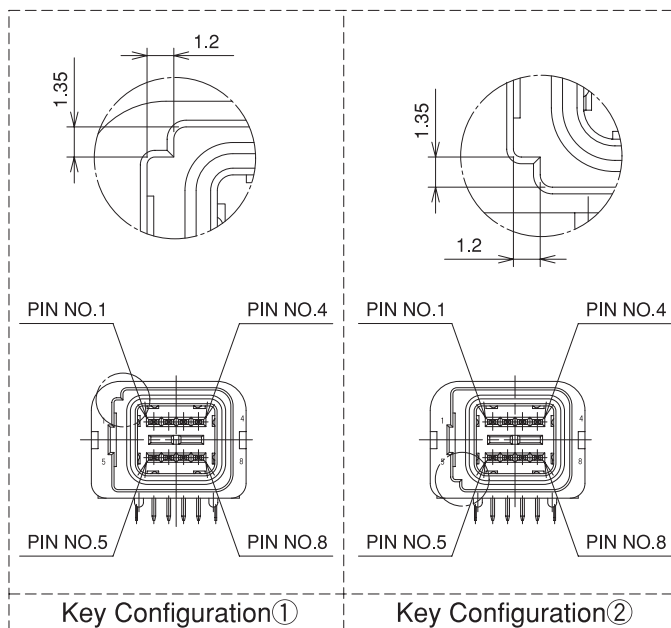
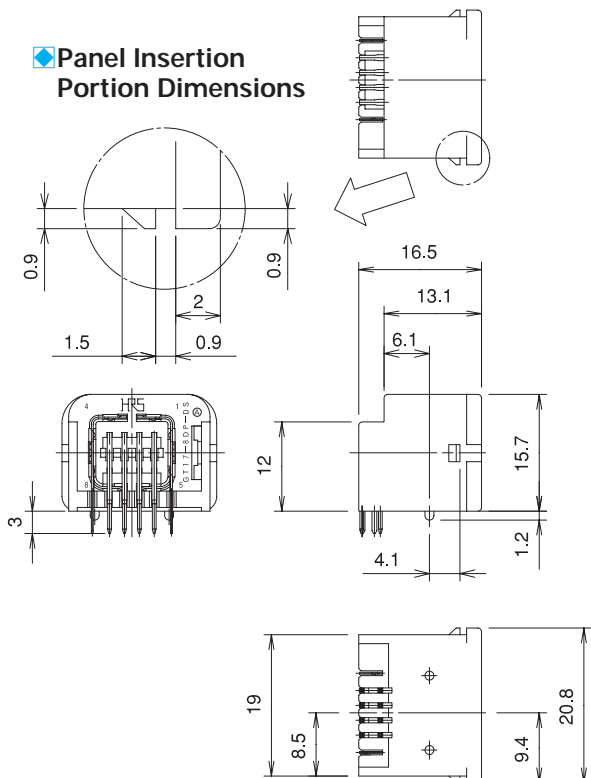


GT17-8DP-DS

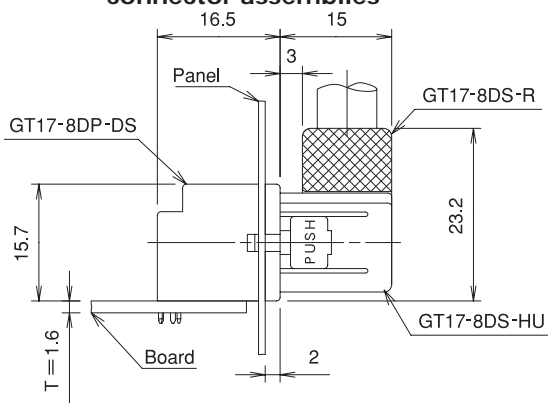


GT17A-8DP-DS

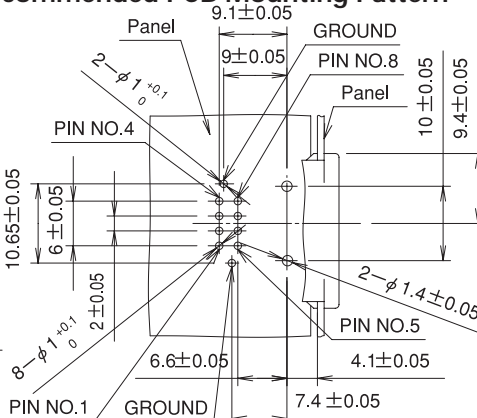
#### Panel Insertion Portion Dimensions



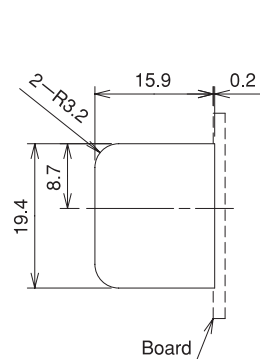
#### Mounted and fully mated connector assemblies



#### Recommended PCB Mounting Pattern



#### Recommended Panel Cut-out



Part Number	HRS No.	Material	Color	Key Configurations	Direction of Cable Pull-off	Packaging
GT17-8DP-DS	767-0001-9	Brass (Center terminal) Phosphor bronze (Outer terminals)	Light gray	①	Upward with respect to the mounting surface	1
GT17A-8DP-DS	767-0002-1	PBT (Housing)	Black	②		1
GT17-8DP-DS(70)	767-0001-9-70		Light gray	①		1
GT17A-8DP-DS(70)	767-0002-1-70		Black	②		1

(70):Pb free products.

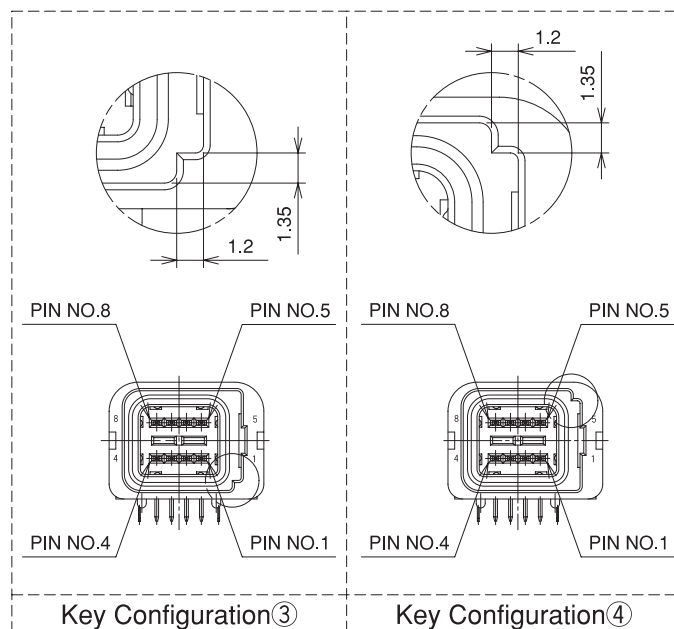
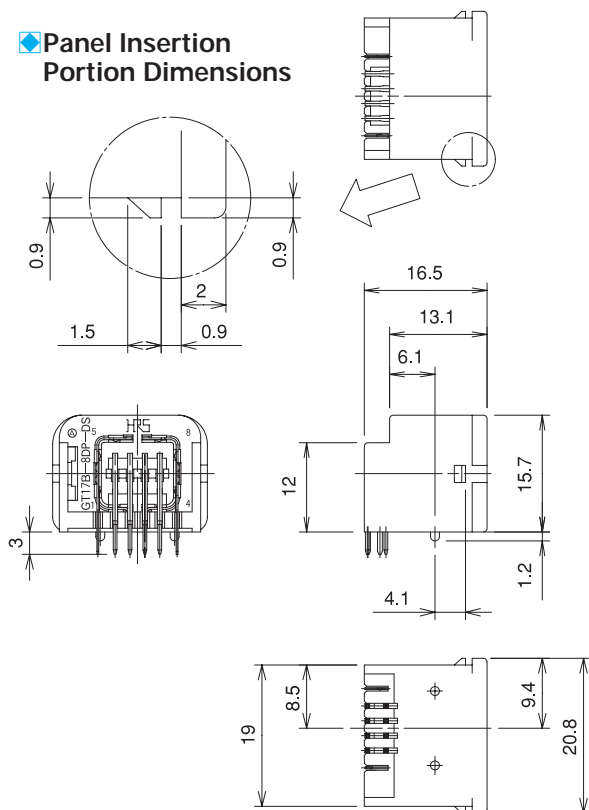


GT17B-8DP-DS

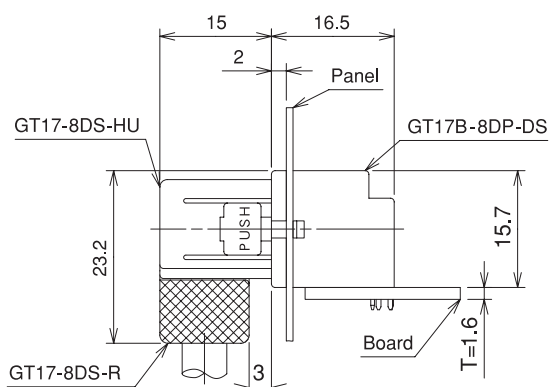


GT17C-8DP-DS

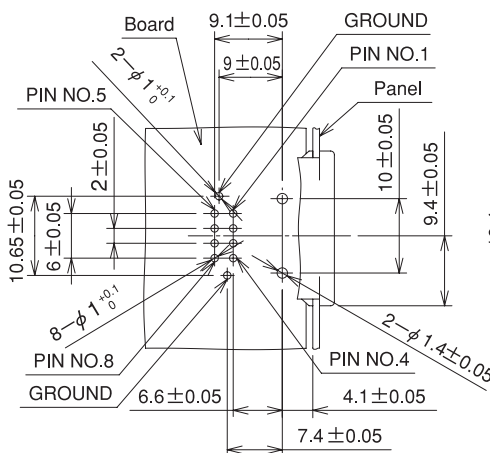
◆ Panel Insertion Portion Dimensions



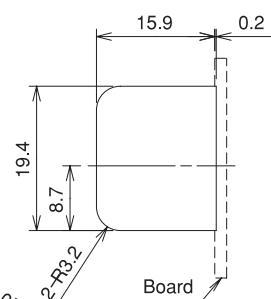
◆ Mounted and fully mated connector assemblies



◆ Recommended PCB Mounting Pattern



◆ Recommended Panel Cut-out



Part Number	HRS No.	Material	Color	Key Configurations	Direction of Cable Pull-off	Packaging
GT17B-8DP-DS	767-0020-3	Brass (Center terminal) Phosphor bronze (Outer terminals)	Light gray	③	Downward with respect to the mounting surface	1
GT17C-8DP-DS	767-0021-6	PBT (Housing)	Black	④		1
GT17B-8DP-DS(70)	767-0020-3-70		Light gray	③		1
GT17C-8DP-DS(70)	767-0021-6-70		Black	④		1

(70):Pb free products.

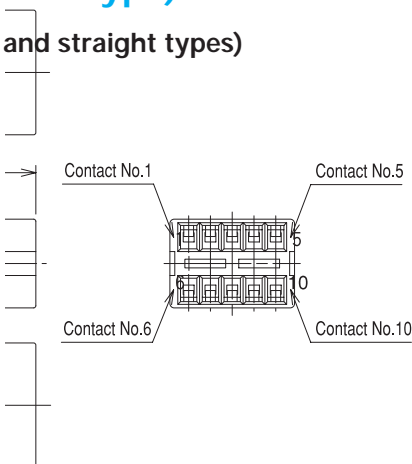
GT17 Series

Coaxial cable connection of Antennas, Sensors, and Communication Trunk Lines

- GT 1
- GT 5
- GT 13
- GT 16
- PO5G
- GT 11
- GT 14
- GT 17
- GT 19N
- GT 2
- GT 3
- GT 6W
- GT 7
- GT 10
- GT 12
- GT 18W
- GT 15
- GT 8
- GT 9

## F Connectors (10-Conductor Type)

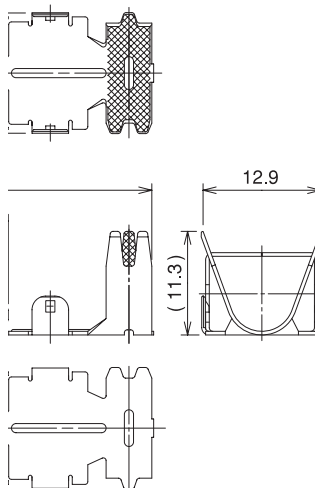
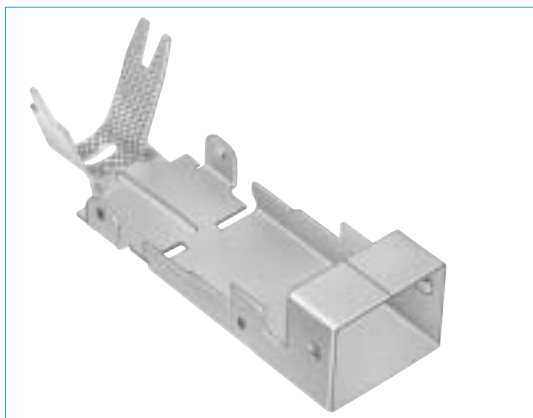
### ● Insulator (used for both right-angle and straight types)



Part Number	CL No.	Material	Color	Packaging
GT17V-10DS-2C	767-0036-3	PBT	Dark gray	1

Note: Applicable Cable will have an Insulator diameter of 0.7 to 1.3 mm.

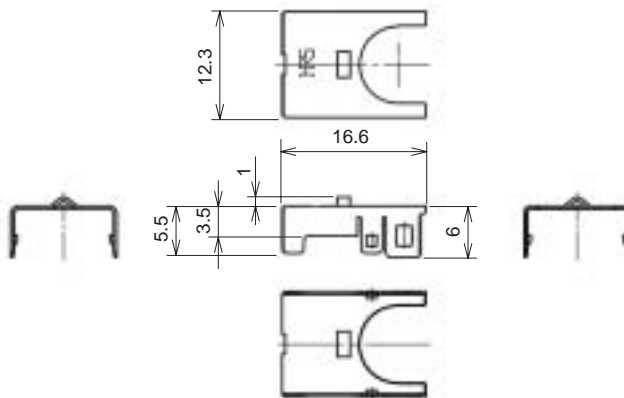
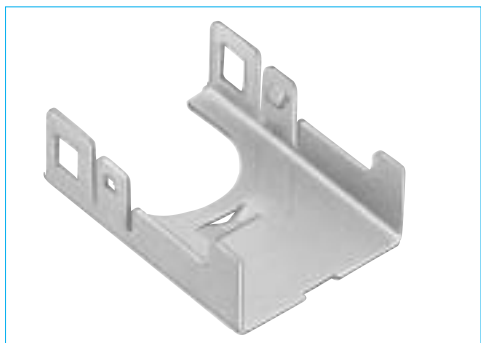
### ● Outer terminals (Right Angle Type)



Part Number	CL No.	Material	Finish	Outer Diameter	Packaging
GT17V-10DS-8CF	767-0037-6	Copper alloy	Tin plating	7.5 to 8.0 mm	1

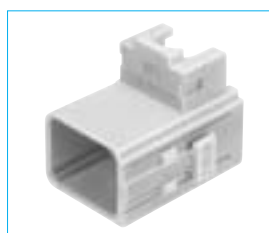
Note: The crimping conditions will differ depending on the construction and material of the cable. In view of this, please make arrangements to ascertain whether crimping is possible for each cable.

### ● Shield Cover (Right Angle Type)

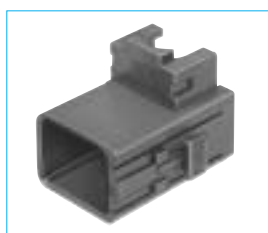


Part Number	CL No.	Material	Finish	Packaging
GT17V-10DS-SC	767-0038-9	Copper alloy	Tin plating	1

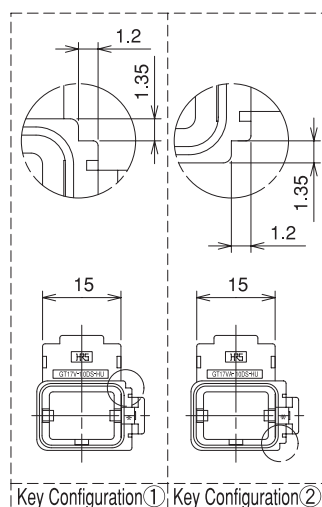
● Housing (Right-angle Type)



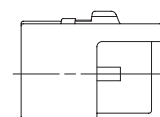
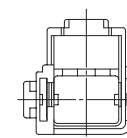
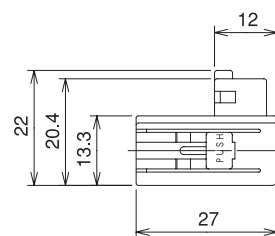
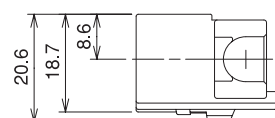
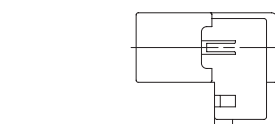
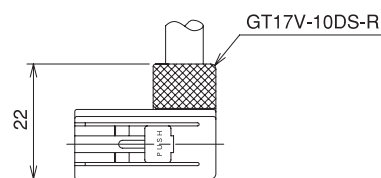
GT17V-10DS-HU



GT17VA-10DS-HU



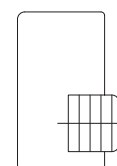
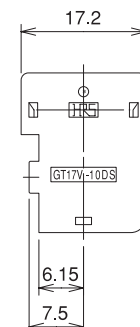
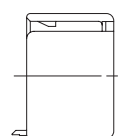
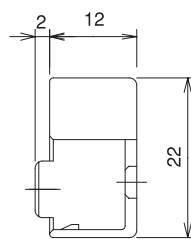
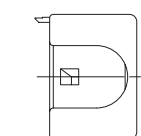
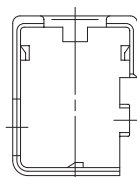
◆ Shown with inserted retainer



Part Number	CL No.	Material	Color	Key Configurations	Packaging
GT17V-10DS-HU	767-0039-1	PBT	Light gray	①	1
GT17VA-10DS-HU	767-0040-0	PBT	Black	②	1

Note: Used with the separate retainer (GT17-10DS-R).

● Retainer (Right-angle Type)

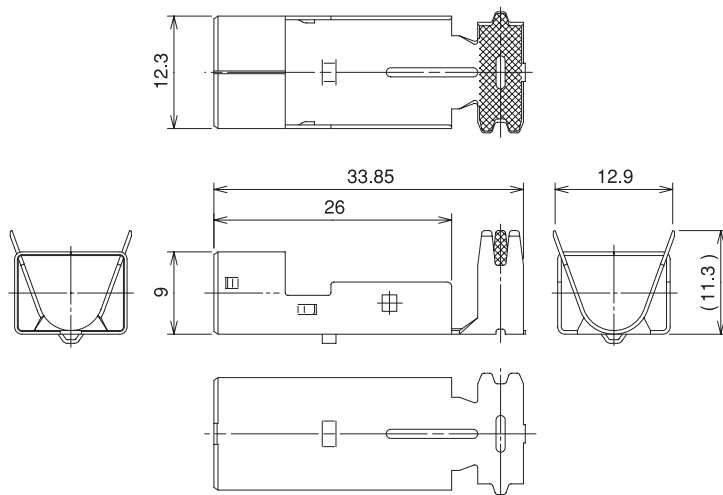
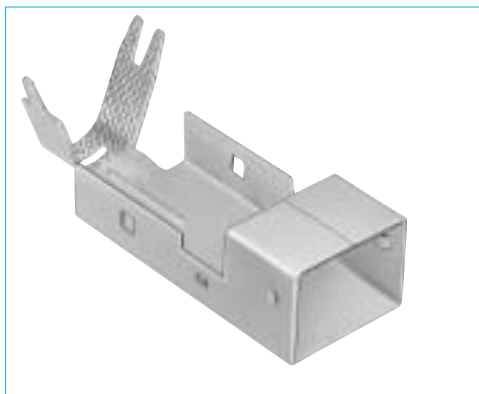


Part Number	CL No.	Material	Color	Packaging
GT17V-10DS-R	767-0041-3	PBT	Dark gray	1

Note: Applicable Cable will have an outside sheath diameter of 7.5 to 8.0 mm.

GT17 Series

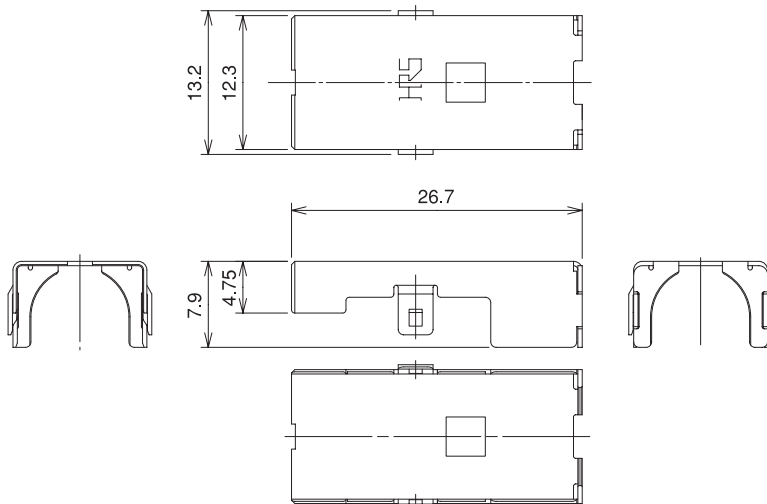
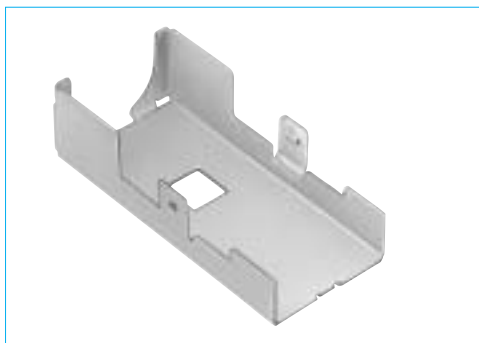
● Outer terminals (Straight Type)



Part Number	CL No.	Material	Finish	Outer Diameter	Packaging
GT17VS-10DS-8CF	767-0059-9	Copper alloy	Tin plating	7.5 to 8.0 mm	1

Note: The crimping conditions will differ depending on the construction and material of the cable. In view of this, please make arrangements to ascertain whether crimping is possible for each cable.

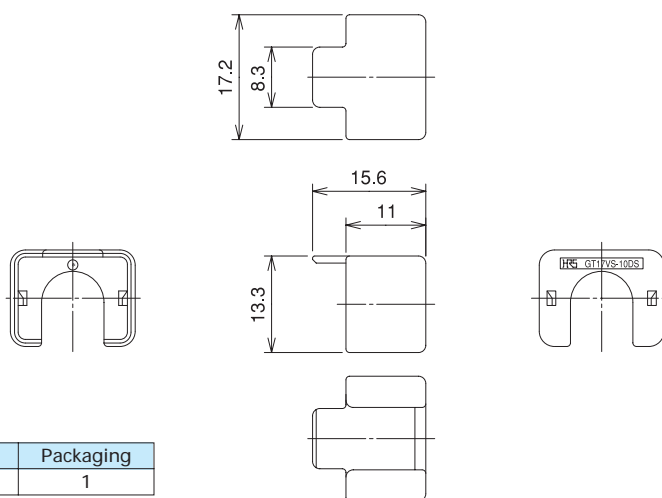
● Shield Cover (Straight Type)



Part Number	CL No.	Material	Finish	Packaging
GT17VS-10DS-SC	767-0060-8	Copper alloy	Tin plating	1

Note: Applicable Cables will have an outside sheath diameter of 7.5 to 8.0 mm.

● Retainer (Straight Type)

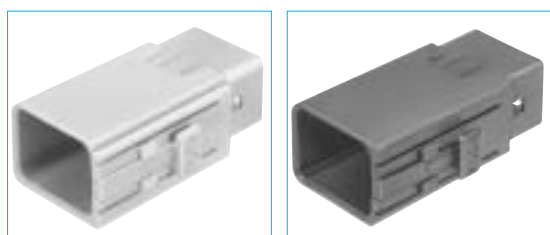


Part Number	CL No.	Material	Color	Packaging
GT17VS-10DS-R	767-0063-6	PBT	Dark gray	1

Note: Applicable Cables will have an outside sheath diameter of 7.5 to 8.0 mm.

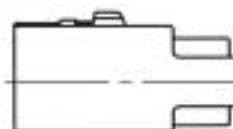
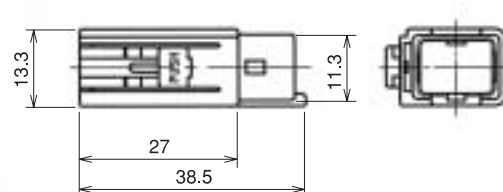
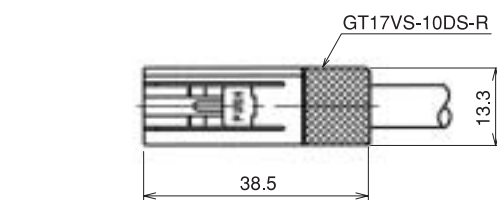
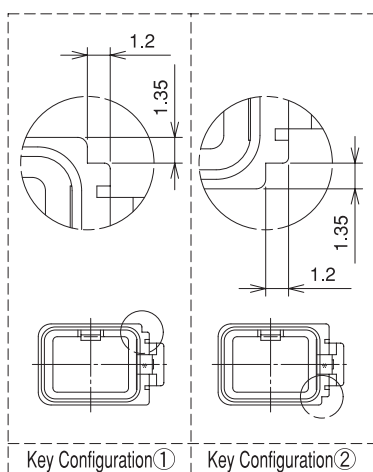
● Housing (Straight Type)

◆ Shown with inserted retainer



GT17VS-10DS-HU

GT17VSA-10DS-HU



Part Number	CL No.	Material	Color	Key Configurations	Packaging
GT17VS-10DS-HU	767-0061-0	PBT	Light gray	①	1
GT17VSA-10DS-HU	767-0062-3	PBT	Black	②	1

Note 1: Used with the separate retainer (GT17-10DS-R).

Note 2: Applicable Cable will have an outside sheath diameter of 7.5 to 8.0 mm.

◆ F Connector (10-Conductor Type) Composition Table

Inner Terminal	Insulator	Outer Terminal	Shield Cover	Housing	Retainer
GT17-2022SCF	GT17V-10DS-2C	GT17V-10DS-8CF	GT17V-10DS-SC	GT17V-10DS-HU	GT17V-10DS-R
GT17-2428SCF		GT17V-10DS-8CF	GT17V-10DS-SC	GT17VA-10DS-HU	
GT17-30SCF		GT17VS-10DS-8CF	GT17VS-10DS-SC	GT17VS-10DS-HU	GT17VS-10DS-R

◆ 10-Conductor Type Mating Table

F Connector	M Connector	Color
GT17V-10DS-HU	GT17V-10DP-DS	Light gray
GT17VS-10DS-HU	GT17V-10DP-DSA	
GT17VA-10DS-HU	GT17V-10DP-DS-SB	Black
GT17VSA-10DS-HU	GT17VA-10DP-DS	
	GT17VA-10DP-DSA	
	GT17VA-10P-DS-SB	

Coaxial cable connection of Antennas, Sensors, and Communication Trunk Lines  
 GT 1  
 GT 5  
 GT 13  
 GT 16  
 PO5G  
 GT 11  
 GT 14  
 GT 17  
 GT 19N  
 GT 2  
 GT 3  
 GT 6W  
 GT 7  
 GT 10  
 GT 12  
 GT 18W  
 GT 15  
 GT 8  
 GT 9



GT17 Series

Coaxial cable connection of Antennas, Sensors, and Communication Trunk Lines

GT 1

GT 5

GT 13

GT 16

GT 5G

GT 11

GT 14

GT 17

GT 19N

GT 2

GT 3

GT 6W

GT 7

GT 10

GT 12

GT 18W

GT 15

GT 8

GT 9

## M Connectors (10-Conductor Type)

### Printed Circuit Board Type (Right-angle Type)

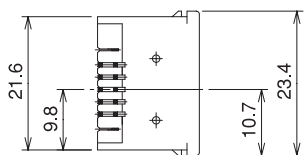
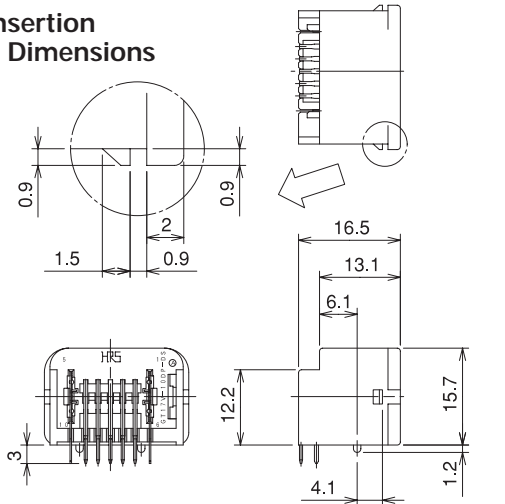


GT17V-10DP-DS

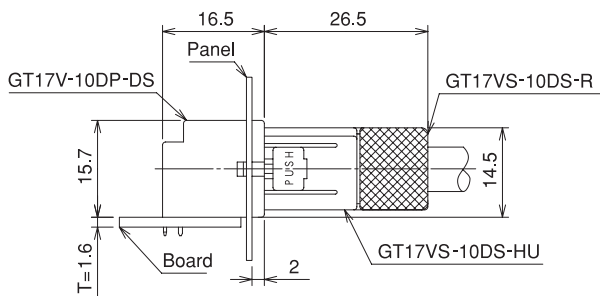


GT17VA-10DP-DS

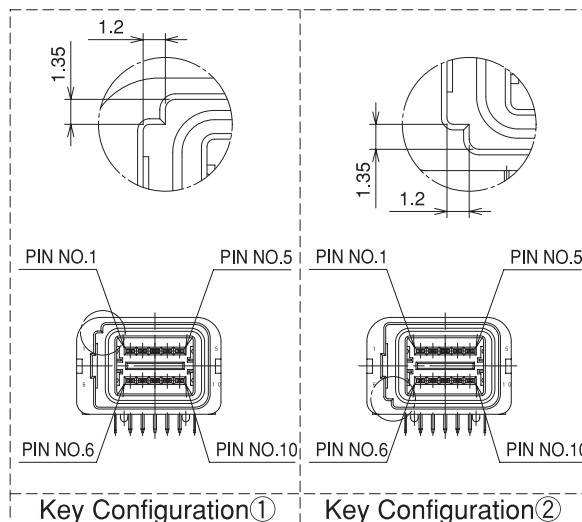
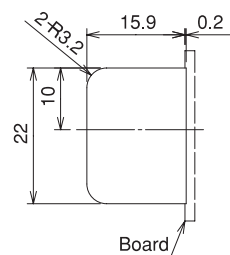
### Panel Insertion Portion Dimensions



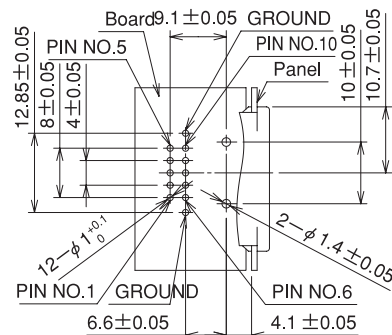
### Mounted and fully mated connector assemblies



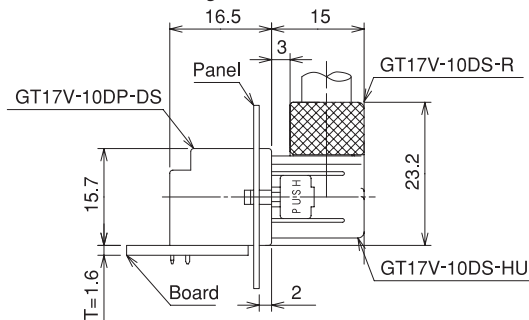
### Recommended Panel Cut-out



### Recommended PCB Mounting Pattern



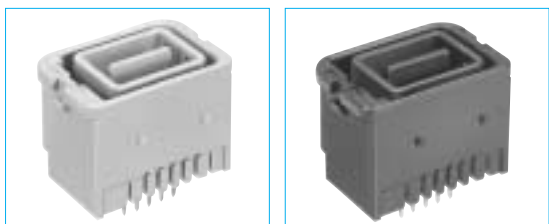
### Mounted and fully mated connector assemblies



Part Number	HRS No.	Material	Color	Key Configurations	Direction of Cable Pull-off	Packaging
GT17V-10DP-DS	767-0034-8	Brass (Center terminal)	Light gray	①	Upward with respect to the mounting surface	1
GT17VA-10DP-DS	767-0035-0	Copper alloy (Outer terminals)	Black	②		1
GT17V-10DP-DS(70)	767-0034-8-70	PBT (Housing)	Light gray	①		1
GT17VA-10DP-DS(70)	767-0035-0-70		Black	②		1

(70):Pb free products.

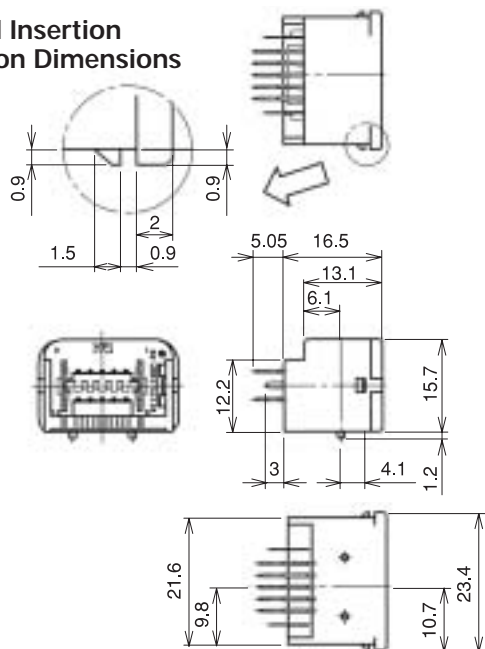
● Printed Circuit Board Type (Straight Type)



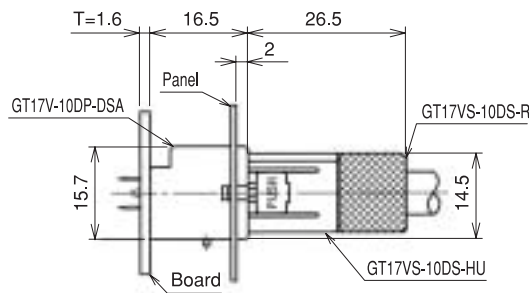
GT17V-10DP-DSA

GT17VA-10DP-DSA

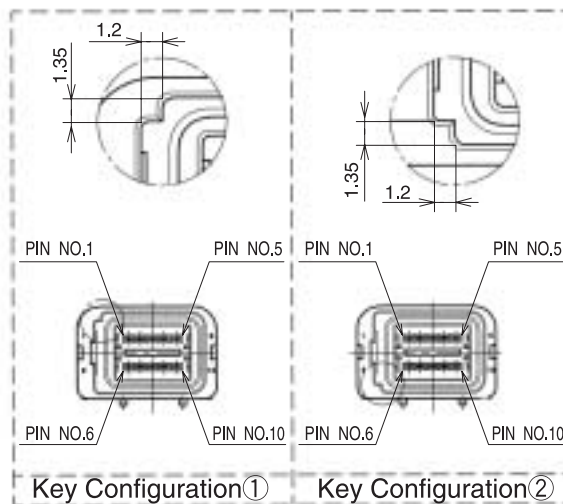
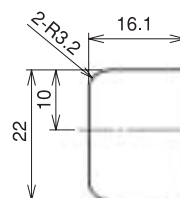
◆ Panel Insertion Portion Dimensions



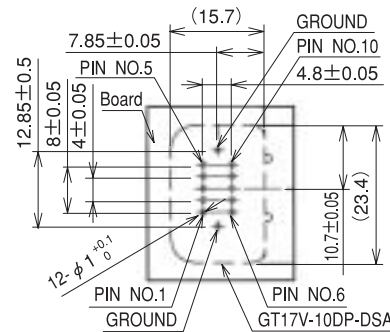
◆ Mounted and fully mated connector assemblies



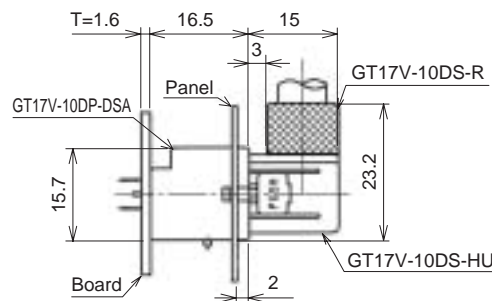
◆ Recommended Panel Cut-out



◆ Recommended PCB Mounting Pattern



◆ Mounted and fully mated connector assemblies



Part Number	HRS No.	Material	Color	Key Configurations	Direction of Cable Pull-off	Packaging
GT17V-10DP-DSA	767-0067-7	Brass (Center terminal) Copper alloy (Outer terminals) PBT (Housing)	Light gray	①	Upward with respect to the mounting surface	1
GT17VA-10DP-DSA	767-0068-0		Black	②		1
GT17V-10DP-DSA(70)	767-0067-7-70	Light gray	①	1		
GT17VA-10DP-DSA(70)	767-0068-0-70	Black	②	1		

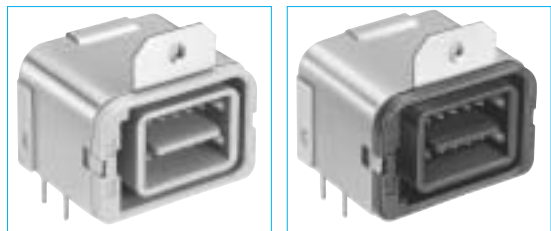
(70):Pb free products.

GT17 Series

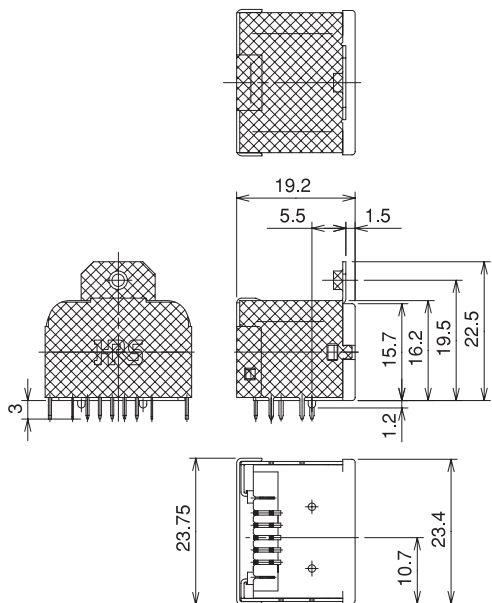
Coaxial cable connection of Antennas, Sensors, and Communication Trunk Lines

- GT 1
- GT 5
- GT 13
- GT 16
- GT 19
- GT 2
- GT 3
- GT 6W
- GT 7
- GT 10
- GT 12
- GT 18W
- GT 15
- GT 8
- GT 9

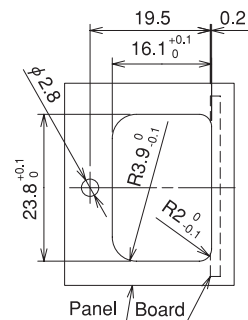
● Printed Circuit Board Type (Shield Reinforced Type)



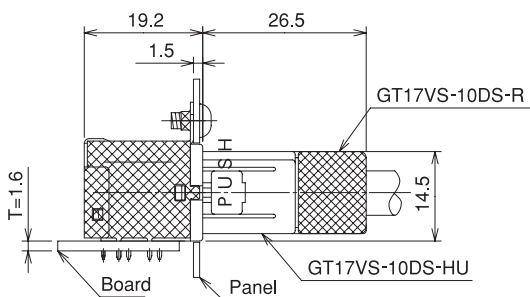
GT17V-10DP-DS-SB    GT17VA-10DP-DS-SB



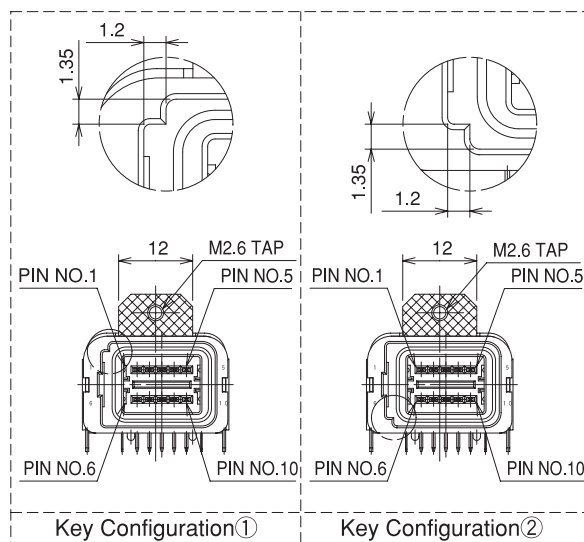
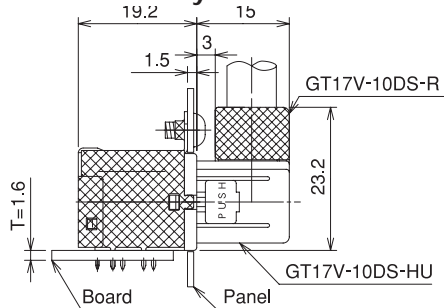
◆ Recommended Panel Cut-out



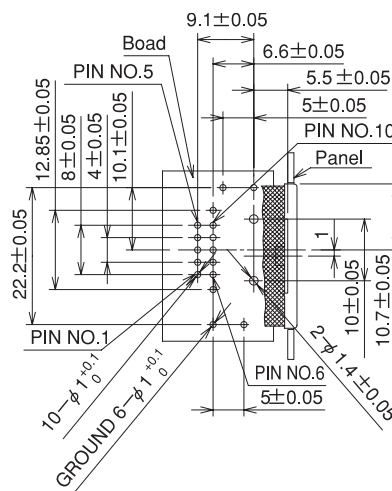
◆ Mounted and fully mated connector assemblies



◆ Mounted and fully mated connector assemblies



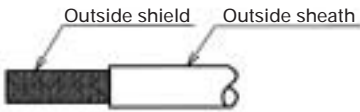
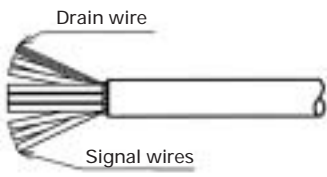
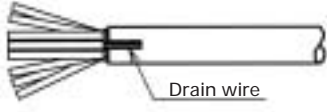
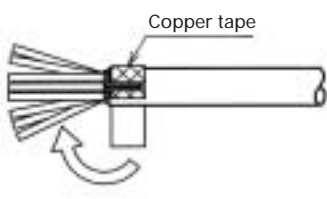
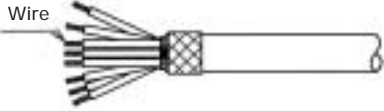
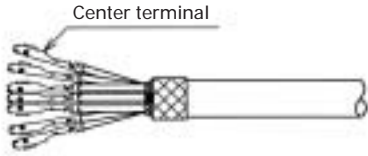

◆ Recommended PCB Mounting Pattern



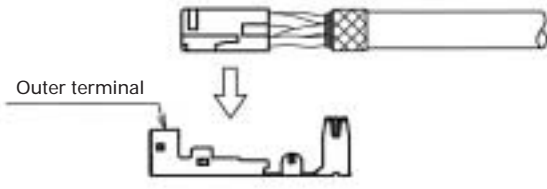
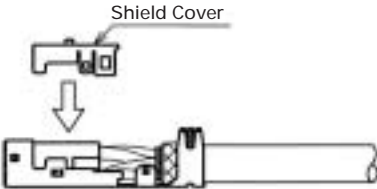



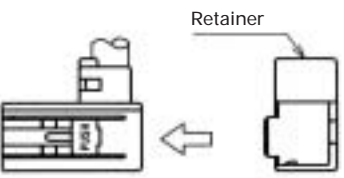
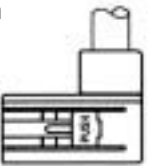
Part Number	HRS No.	Material	Color	Key Configurations	Direction of Cable Pull-off	Packaging
GT17V-10DP-DS-SB	767-0069-2	Brass (Center terminal)	Light gray	①	Upward with respect to the mounting surface	1
GT17VA-10DP-DS-SB	767-0070-1	Copper alloy (Outer terminals)	Black	②		1
GT17V-10DP-DS-SB(70)	767-0069-2-70	Brass (Shield)	Light gray	①		1
GT17VA-10DP-DS-SB(70)	767-0070-1-70		Black	②		1

(70):Pb free products.

◆ Wiring Method

- ① Strip the outside sheath.
 
- ② Cut the shield and intermediate material to expose the wire and braid.
 
- ③ Bend back the drain wire over the sheath.
 
- ④ Wrap with copper tape.
 
- ⑤ Strip the wire leads.
 
- ⑥ Crimp the center terminals.
 
- ⑦ Insert the center terminals into the insulator.
 

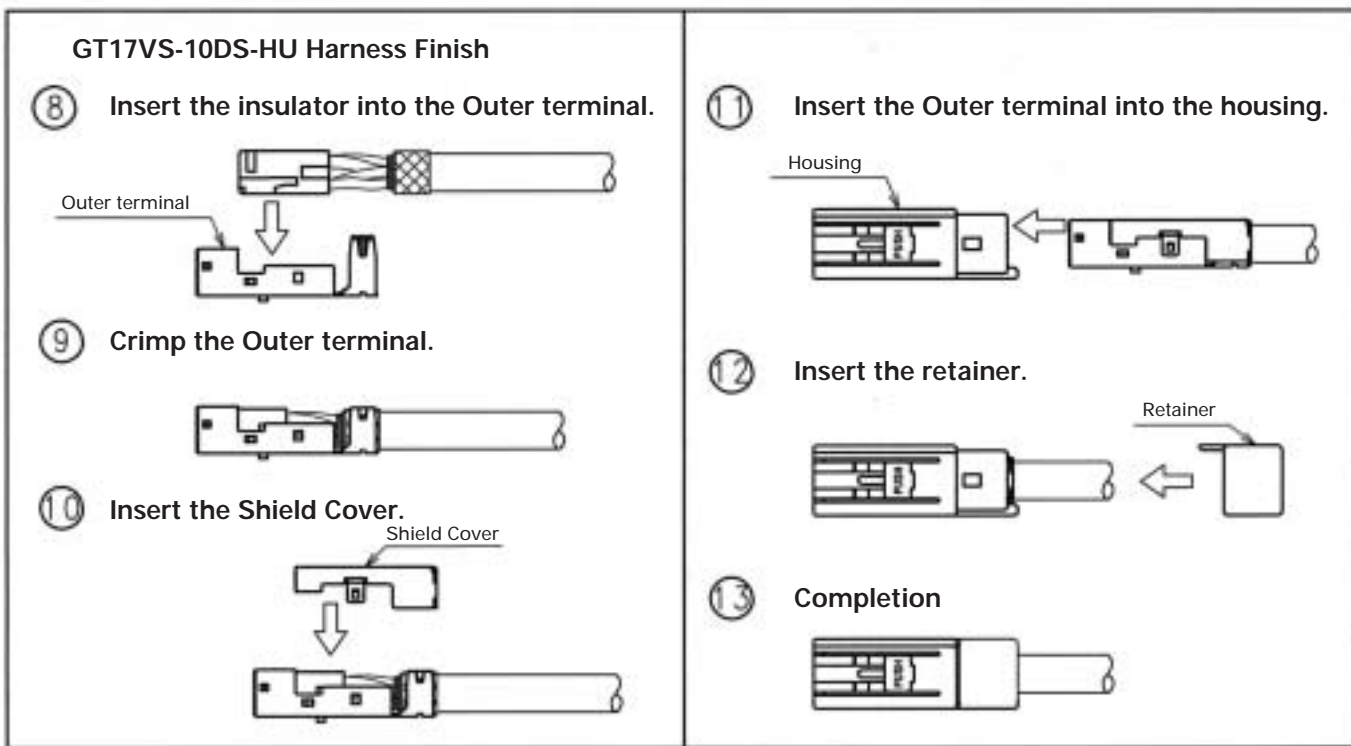
**GT17V-10DS-HU Harness Finish**

- ⑧ Insert the insulator into the Outer terminal.
 
- ⑨ Insert the Shield Cover.
 
- ⑩ Fold back the Outer terminal.
 
- ⑪ Crimp the Outer terminal.
 
- ⑫ Insert the Outer terminal into the housing.
 
- ⑬ Insert the retainer.
 
- ⑭ Completion
 

GT17 Series

Coaxial cable connection of Antennas, Sensors, and Communication Trunk Lines

GT 1  
GT 5  
GT 13  
GT 16  
GT 5G  
GT 11  
GT 14  
GT 17  
GT 19N  
GT 2  
GT 3  
GT 6W  
GT 7  
GT 10  
GT 12  
GT 18W  
GT 15  
GT 8  
GT 9



◆ Termination Tools

User's manuals are available. Please ask your Hirose Electric account representative.

◆ Specifications

Item	Specification	Remarks
Specification	1.5ton	
Stroke Length	30mm	
Number of strokes	200spm (50Hz)	240spm (60Hz)
Weight	75kg	
Motor	0.2kW	AC100V
Crimping speed	2000 to 4000 pcs. per day	

Automatic Crimping Machine



Part Number CM-105

Hand Press



\* Crimp height setting tables are available for each cable type. Please contact your nearest Hirose Electric account representative. Different cables will require different crimp height settings.



Компания «Океан Электроники» предлагает заключение долгосрочных отношений при поставках импортных электронных компонентов на взаимовыгодных условиях!

Наши преимущества:

- Поставка оригинальных импортных электронных компонентов напрямую с производств Америки, Европы и Азии, а так же с крупнейших складов мира;
- Широкая линейка поставок активных и пассивных импортных электронных компонентов (более 30 млн. наименований);
- Поставка сложных, дефицитных, либо снятых с производства позиций;
- Оперативные сроки поставки под заказ (от 5 рабочих дней);
- Экспресс доставка в любую точку России;
- Помощь Конструкторского Отдела и консультации квалифицированных инженеров;
- Техническая поддержка проекта, помощь в подборе аналогов, поставка прототипов;
- Поставка электронных компонентов под контролем ВП;
- Система менеджмента качества сертифицирована по Международному стандарту ISO 9001;
- При необходимости вся продукция военного и аэрокосмического назначения проходит испытания и сертификацию в лаборатории (по согласованию с заказчиком);
- Поставка специализированных компонентов военного и аэрокосмического уровня качества (Xilinx, Altera, Analog Devices, Intersil, Interpoint, Microsemi, Actel, Aeroflex, Peregrine, VPT, Syfer, Eurofarad, Texas Instruments, MS Kennedy, Miteq, Cobham, E2V, MA-COM, Hittite, Mini-Circuits, General Dynamics и др.);

Компания «Океан Электроники» является официальным дистрибьютором и эксклюзивным представителем в России одного из крупнейших производителей разъемов военного и аэрокосмического назначения «JONHON», а так же официальным дистрибьютором и эксклюзивным представителем в России производителя высокотехнологичных и надежных решений для передачи СВЧ сигналов «FORSTAR».



## JONHON

«JONHON» (основан в 1970 г.)

Разъемы специального, военного и аэрокосмического назначения:

(Применяются в военной, авиационной, аэрокосмической, морской, железнодорожной, горно- и нефтедобывающей отраслях промышленности)

«FORSTAR» (основан в 1998 г.)

ВЧ соединители, коаксиальные кабели, кабельные сборки и микроволновые компоненты:

(Применяются в телекоммуникациях гражданского и специального назначения, в средствах связи, РЛС, а так же военной, авиационной и аэрокосмической отраслях промышленности).



Телефон: 8 (812) 309-75-97 (многоканальный)

Факс: 8 (812) 320-03-32

Электронная почта: [ocean@oceanchips.ru](mailto:ocean@oceanchips.ru)

Web: <http://oceanchips.ru/>

Адрес: 198099, г. Санкт-Петербург, ул. Калинина, д. 2, корп. 4, лит. А