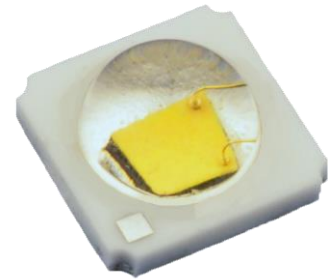


High Luminous Efficacy Cool White LED Emitter

LZ1-00CW02

Key Features

- High Luminous Efficacy Cool White LED
- Ultra-small foot print – 4.4mm x 4.4mm
- Surface mount ceramic package with integrated glass lens
- Low Thermal Resistance (6.0°C/W)
- Electrically neutral thermal path
- Spatial color uniformity across radiation pattern
- JEDEC Level 1 standard for Moisture Sensitivity Level
- Lead (Pb) free and RoHS compliant
- Reflow solderable
- Available on tape and reel or with MCPCB



Typical Applications

- Architectural lighting
- Street lighting
- Display Backlighting
- Flashlight and Portable lighting
- Signaling
- Automotive
- Horticulture

Description

The LZ1-00CW02 Cool White LED emitter provides 315 lumens at 3.2W power dissipation in an extremely small package. With a 4.4mm x 4.4mm footprint, this package provides exceptional luminous flux density. LED Engin's patent-pending thermally insulated phosphor layer provides a spatially uniform color across the radiation pattern and a consistent CCT over time and temperature. The high quality materials used in the package are chosen to optimize light output and minimize stresses which results in monumental reliability and lumen maintenance. The robust product design thrives in outdoor applications with high ambient temperatures and high humidity.

Part number options

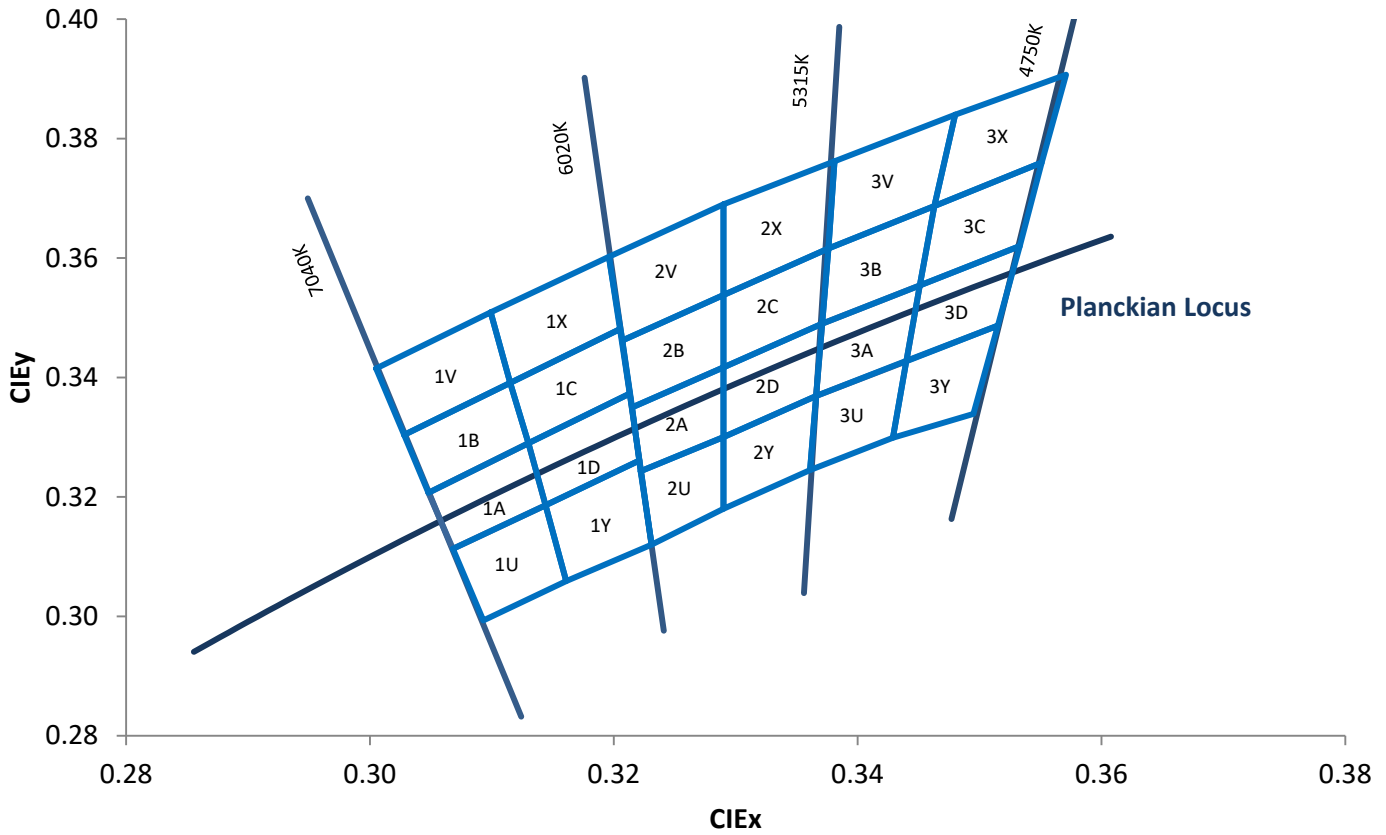
Base part number

| Part number | Description |
|-----------------|------------------------------------|
| LZ1-00CW02-xxxx | LZ1 emitter |
| LZ1-10CW02-xxxx | LZ1 emitter on Standard Star MCPCB |

Bin kit option codes

| CW, Cool White (5000K – 6500K) | | | |
|--------------------------------|--------------|--|---|
| Kit number suffix | Min flux Bin | Chromaticity bins | Description |
| 0055 | P | 2U, 2Y, 3U, 2A, 2D, 3A, 2B, 2C, 3B, 2V, 2X, 3V | Flux bin P and above; full distribution flux; 5500K bin |
| 0065 | P | 1U, 1A, 1B, 1V, 1Y, 1D, 1C, 1X, 2U, 2A, 2B, 2V | Flux bin P and above; full distribution flux; 6500K bin |

Cool White Chromaticity Groups



Standard Chromaticity Groups plotted on excerpt from the CIE 1931 (2°) x-y Chromaticity Diagram. Coordinates are listed below in the table.

Cool White Bin Coordinates

| Bin code | CIE _x | CIE _y | Bin code | CIE _x | CIE _y | Bin code | CIE _x | CIE _y | Bin code | CIE _x | CIE _y |
|----------|------------------|------------------|----------|------------------|------------------|----------|------------------|------------------|----------|------------------|------------------|
| 1U | 0.3068 | 0.3113 | 1A | 0.3048 | 0.3207 | 1B | 0.3028 | 0.3304 | 1V | 0.3005 | 0.3415 |
| | 0.3144 | 0.3186 | | 0.313 | 0.329 | | 0.3115 | 0.3391 | | 0.3099 | 0.3509 |
| | 0.3161 | 0.3059 | | 0.3144 | 0.3186 | | 0.313 | 0.329 | | 0.3115 | 0.3391 |
| | 0.3093 | 0.2993 | | 0.3068 | 0.3113 | | 0.3048 | 0.3207 | | 0.3028 | 0.3304 |
| | 0.3068 | 0.3113 | | 0.3048 | 0.3207 | | 0.3028 | 0.3304 | | 0.3005 | 0.3415 |
| 1Y | 0.3144 | 0.3186 | 1D | 0.313 | 0.329 | 1C | 0.3115 | 0.3391 | 1X | 0.3099 | 0.3509 |
| | 0.3221 | 0.3261 | | 0.3213 | 0.3373 | | 0.3205 | 0.3481 | | 0.3196 | 0.3602 |
| | 0.3231 | 0.312 | | 0.3221 | 0.3261 | | 0.3213 | 0.3373 | | 0.3205 | 0.3481 |
| | 0.3161 | 0.3059 | | 0.3144 | 0.3186 | | 0.313 | 0.329 | | 0.3115 | 0.3391 |
| | 0.3144 | 0.3186 | | 0.313 | 0.329 | | 0.3115 | 0.3391 | | 0.3099 | 0.3509 |
| 2U | 0.3222 | 0.3243 | 2A | 0.3215 | 0.335 | 2B | 0.3207 | 0.3462 | 2V | 0.3196 | 0.3602 |
| | 0.329 | 0.33 | | 0.329 | 0.3417 | | 0.329 | 0.3538 | | 0.329 | 0.369 |
| | 0.329 | 0.318 | | 0.329 | 0.33 | | 0.329 | 0.3417 | | 0.329 | 0.3538 |
| | 0.3231 | 0.312 | | 0.3222 | 0.3243 | | 0.3215 | 0.335 | | 0.3207 | 0.3462 |
| | 0.3222 | 0.3243 | | 0.3215 | 0.335 | | 0.3207 | 0.3462 | | 0.3196 | 0.3602 |
| 2Y | 0.329 | 0.33 | 2D | 0.329 | 0.3417 | 2C | 0.329 | 0.3538 | 2X | 0.329 | 0.369 |
| | 0.3366 | 0.3369 | | 0.3371 | 0.349 | | 0.3376 | 0.3616 | | 0.3381 | 0.3762 |
| | 0.3361 | 0.3245 | | 0.3366 | 0.3369 | | 0.3371 | 0.349 | | 0.3376 | 0.3616 |
| | 0.329 | 0.318 | | 0.329 | 0.33 | | 0.329 | 0.3417 | | 0.329 | 0.3538 |
| | 0.329 | 0.33 | | 0.329 | 0.3417 | | 0.329 | 0.3538 | | 0.329 | 0.369 |
| 3U | 0.3366 | 0.3369 | 3A | 0.3371 | 0.349 | 3B | 0.3376 | 0.3616 | 3V | 0.3381 | 0.3762 |
| | 0.344 | 0.3428 | | 0.3451 | 0.3554 | | 0.3463 | 0.3687 | | 0.348 | 0.384 |
| | 0.3429 | 0.3299 | | 0.344 | 0.3427 | | 0.3451 | 0.3554 | | 0.3463 | 0.3687 |
| | 0.3361 | 0.3245 | | 0.3366 | 0.3369 | | 0.3371 | 0.349 | | 0.3376 | 0.3616 |
| | 0.3366 | 0.3369 | | 0.3371 | 0.349 | | 0.3376 | 0.3616 | | 0.3381 | 0.3762 |
| 3Y | 0.344 | 0.3428 | 3D | 0.3451 | 0.3554 | 3C | 0.3463 | 0.3687 | 3X | 0.348 | 0.384 |
| | 0.3515 | 0.3487 | | 0.3533 | 0.362 | | 0.3551 | 0.376 | | 0.3571 | 0.3907 |
| | 0.3495 | 0.3339 | | 0.3515 | 0.3487 | | 0.3533 | 0.362 | | 0.3551 | 0.376 |
| | 0.3429 | 0.3299 | | 0.344 | 0.3427 | | 0.3451 | 0.3554 | | 0.3463 | 0.3687 |
| | 0.344 | 0.3428 | | 0.3451 | 0.3554 | | 0.3463 | 0.3687 | | 0.348 | 0.384 |

Luminous Flux Bins

Table 1:

| Bin Code | Minimum Luminous Flux (Φ_V) @ $I_F = 1000\text{mA}$ ^[1,2] (lm) | Maximum Luminous Flux (Φ_V) @ $I_F = 1000\text{mA}$ ^[1,2] (lm) | Typical Luminous Flux (Φ_V) @ $I_F = 1200\text{mA}$ ^[2] (lm) |
|----------|--|--|--|
| P | 182 | 228 | 229 |
| Q | 228 | 285 | 282 |
| R | 285 | 356 | 310 |

Notes for Table 1:

- Luminous flux performance is measured at 10ms pulse, $T_C = 25^\circ\text{C}$. LED Engin maintains a tolerance of $\pm 10\%$ on flux measurements.

Forward Voltage Bins

Table 2:

| Bin Code | Minimum Forward Voltage (V_F) @ $I_F = 1000\text{mA}$ ^[1] (V) | Maximum Forward Voltage (V_F) @ $I_F = 1000\text{mA}$ ^[1] (V) |
|----------|--|--|
| 0 | 2.8 | 3.8 |

Notes for Table 2:

- Forward voltage is measured at 10ms pulse, $T_C = 25^\circ\text{C}$. LED Engin maintains a tolerance of $\pm 0.04\text{V}$ for forward voltage measurements.

Absolute Maximum Ratings

Table 3:

| Parameter | Symbol | Value | Unit |
|---|-----------|------------|--------------------|
| DC Forward Current at $T_{J(MAX)}=135^{\circ}\text{C}$ ^[1] | I_F | 1200 | mA |
| DC Forward Current at $T_{J(MAX)}=150^{\circ}\text{C}$ ^[1] | I_F | 1000 | mA |
| Peak Pulsed Forward Current ^[2] | I_{FP} | 2000 | mA |
| Reverse Voltage | V_R | See Note 3 | V |
| Storage Temperature | T_{stg} | -40 ~ +150 | $^{\circ}\text{C}$ |
| Junction Temperature | T_J | 150 | $^{\circ}\text{C}$ |
| Soldering Temperature ^[4] | T_{sol} | 260 | $^{\circ}\text{C}$ |

Notes for Table 3:

1. Maximum DC forward current is determined by the overall thermal resistance and ambient temperature. Follow the curves in Figure 11 for current derating.
2. Pulse forward current conditions: Pulse Width \leq 10msec and Duty cycle \leq 10%.
3. LEDs are not designed to be reverse biased.
4. Solder conditions per JEDEC J-STD-020D. See Reflow Soldering Profile Figure 3.
5. LED Engin recommends taking reasonable precautions towards possible ESD damages and handling the LZ1-00CW02 in an electrostatic protected area (EPA). An EPA may be adequately protected by ESD controls as outlined in ANSI/ESD S6.1.

Optical Characteristics @ $T_C = 25^{\circ}\text{C}$

Table 4:

| Parameter | Symbol | Typical | Unit |
|---|-----------------|----------|---------|
| Luminous Flux (@ $I_F = 1000\text{mA}/1200\text{mA}$) | Φ_V | 315/ 360 | lm |
| PPF ^[1] 400-700nm (@ $I_F = 1000\text{mA}/1200\text{mA}$) | | 4.8/ 5.5 | umol/s |
| Luminous Efficacy (@ $I_F = 350\text{mA}$) | η | 113 | lm/W |
| Luminous Efficacy (@ $I_F = 1000\text{mA}$) | η | 98 | lm/W |
| Correlated Color Temperature | CCT | 5500 | K |
| Color Rendering Index (CRI) | R_a | 75 | |
| Viewing Angle ^[2] | $2\theta_{1/2}$ | 95 | Degrees |
| Total Included Angle ^[3] | $\theta_{0.9V}$ | 115 | Degrees |

Notes for Table 4:

1. PPF is Photosynthetic Photon Flux.
2. Viewing Angle is the off axis angle from emitter centerline where the luminous intensity is 1/2 of the peak value.
3. Total Included Angle is the total angle that includes 90% of the total luminous flux.

Electrical Characteristics @ $T_C = 25^{\circ}\text{C}$

Table 5:

| Parameter | Symbol | Typical | Unit |
|--|-------------------------|---------|-----------------------------|
| Forward Voltage (@ $I_F = 1000\text{mA}$) | V_F | 3.20 | V |
| Forward Voltage (@ $I_F = 1200\text{mA}$) | V_F | 3.25 | V |
| Temperature Coefficient of Forward Voltage | $\Delta V_F/\Delta T_J$ | -2.0 | mV/ $^{\circ}\text{C}$ |
| Thermal Resistance (Junction to Case) | $R\theta_{J-C}$ | 6.0 | $^{\circ}\text{C}/\text{W}$ |

IPC/JEDEC Moisture Sensitivity Level

Table 6 - IPC/JEDEC J-STD-20D.1 MSL Classification:

| Level | Floor Life | | Soak Requirements | | | |
|-------|------------|-------------------|-------------------|-----------------|------------|------------|
| | Time | Conditions | Standard | Accelerated | Time (hrs) | Conditions |
| 1 | Unlimited | ≤ 30°C/ 85% RH | 168 +5/-0 | 85°C/ 85% RH | n/a | n/a |

Notes for Table 6:

- The standard soak time includes a default value of 24 hours for semiconductor manufacturer's exposure time (MET) between bake and bag and includes the maximum time allowed out of the bag at the distributor's facility.

Average Lumen Maintenance Projections

Lumen maintenance generally describes the ability of a lamp to retain its output over time. The useful lifetime for solid state lighting devices (Power LEDs) is also defined as Lumen Maintenance, with the percentage of the original light output remaining at a defined time period.

Based on long-term WHTOL testing, LED Engin projects that the LZ Series will deliver, on average, above 70% Lumen Maintenance at 50,000 hours of operation at a forward current of 1000 mA. This projection is based on constant current operation with junction temperature maintained at or below 125°C.

Mechanical Dimensions (mm)

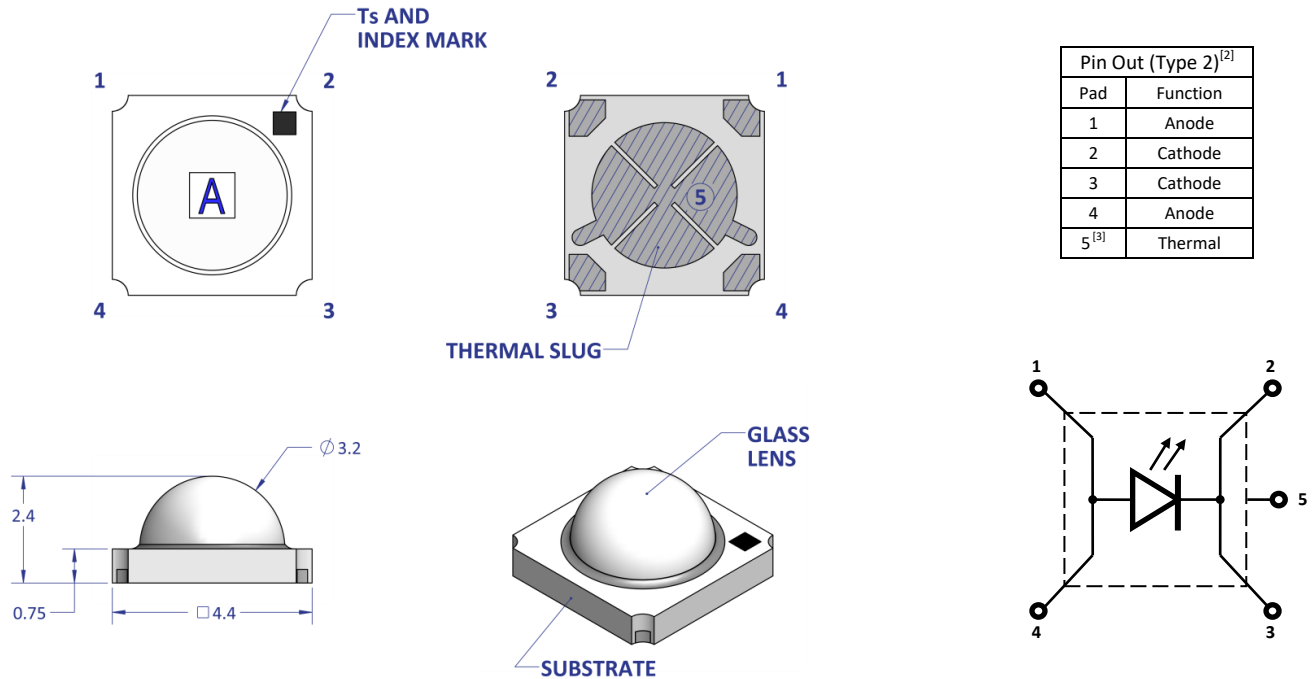


Figure 1: Package outline drawing

Notes for Figure 1:

1. Unless otherwise noted, the tolerance = ± 0.20 mm.
2. This emitter pin-out is reversed to that of LZ1-00xx00 and LZ1-00Rx02.
3. Thermal contact, Pad 5, is electrically neutral.

Recommended Solder Pad Layout (mm)

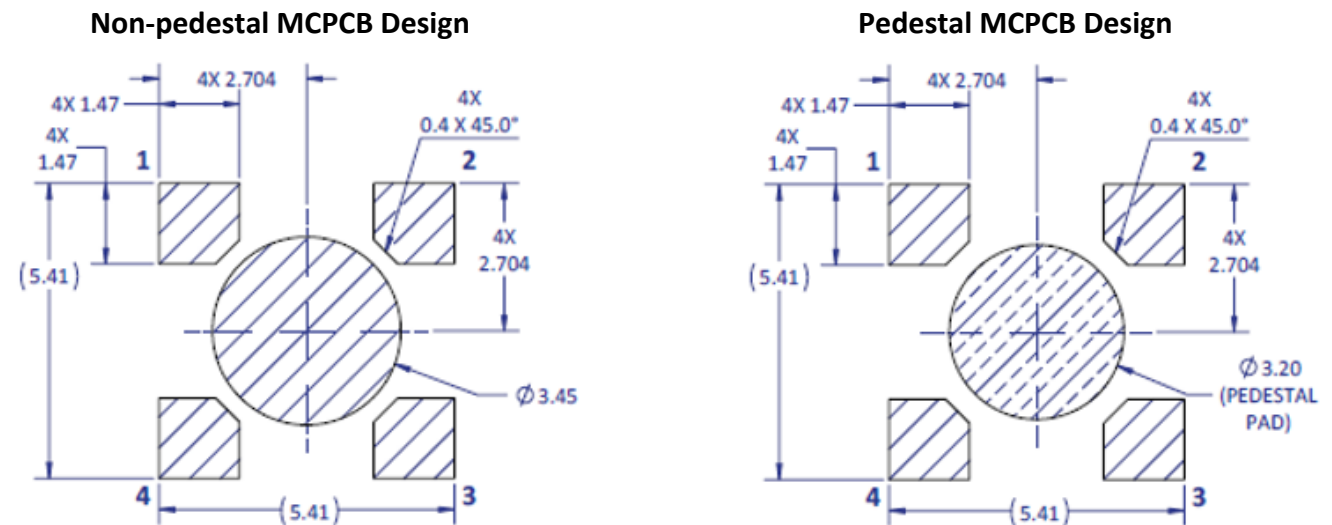


Figure 2a: Recommended solder pad layout for anode, cathode, and thermal pad for non-pedestal and pedestal design.

Notes for Figure 2a:

1. Unless otherwise noted, the tolerance = ± 0.20 mm.
2. Pedestal MCPCB allows the emitter thermal slug to be soldered directly to the metal core of the MCPCB. Such MCPCB eliminate the high thermal resistance dielectric layer that standard MCPCB technologies use in between the emitter thermal slug and the metal core of the MCPCB, thus lowering the overall system thermal resistance.
3. LED Engin recommends x-ray sample monitoring for solder voids underneath the emitter solder pins, especially the thermal pad. The total area covered by solder voids should be less than 20% of the total emitter thermal pad area. Excessive solder voids will increase the emitter to MCPCB thermal resistance and may lead to higher failure rates due to thermal over stress.
4. This emitter is compatible with all LZ1 MCPCBs provided that the MCPCB design follows the recommended solder mask layout (Figure 2b).

Recommended Solder Mask Layout (mm)

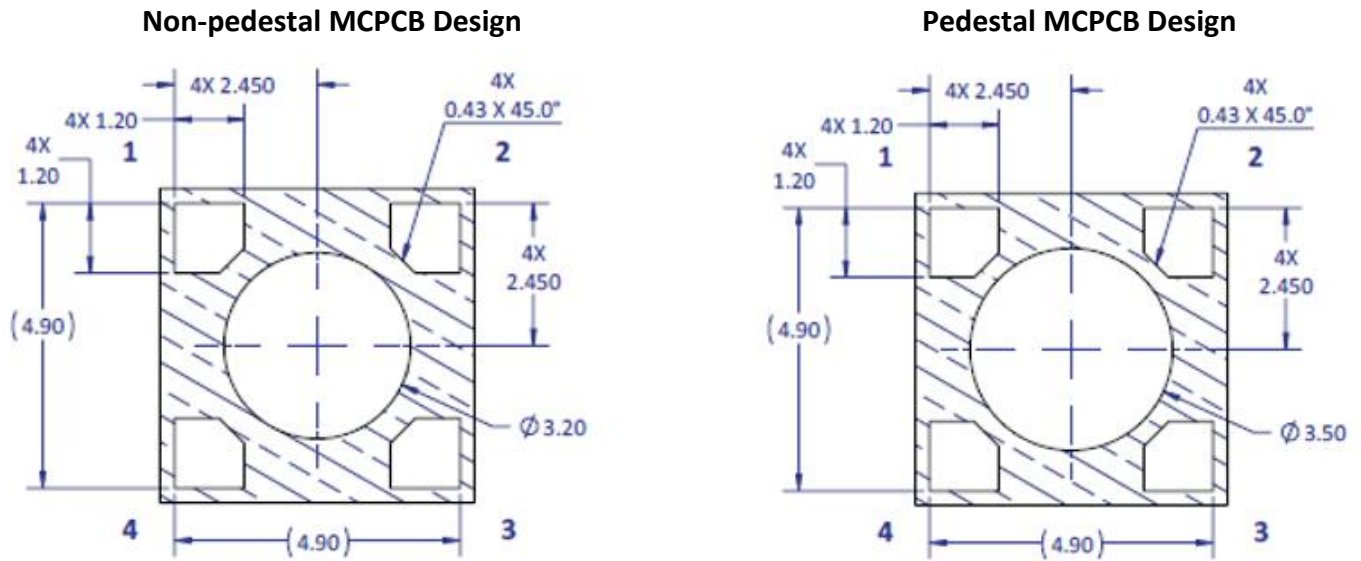


Figure 2b: Recommended solder mask opening for anode, cathode, and thermal pad for non-pedestal and pedestal design.

Note for Figure 2b:

1. Unless otherwise noted, the tolerance = ± 0.20 mm.

Recommended 8mil Stencil Apertures Layout (mm)

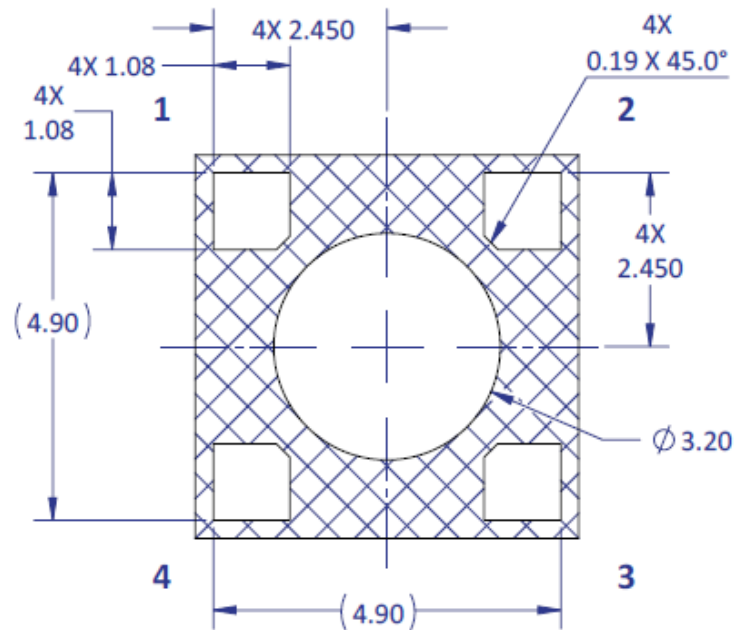


Figure 2c: Recommended 8mil stencil apertures layout for anode, cathode, and thermal pad.

Note for Figure 2c:

1. Unless otherwise noted, the tolerance = ± 0.20 mm.

Reflow Soldering Profile

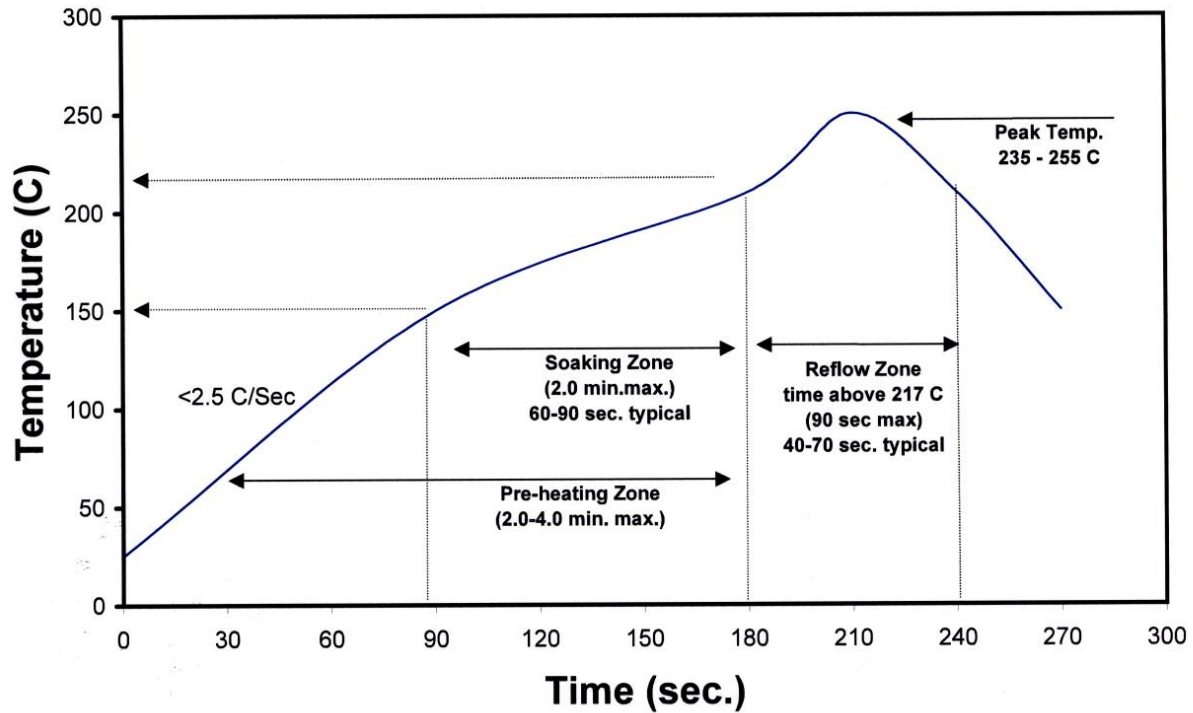


Figure 3: Reflow soldering profile for lead free soldering.

Typical Radiation Pattern

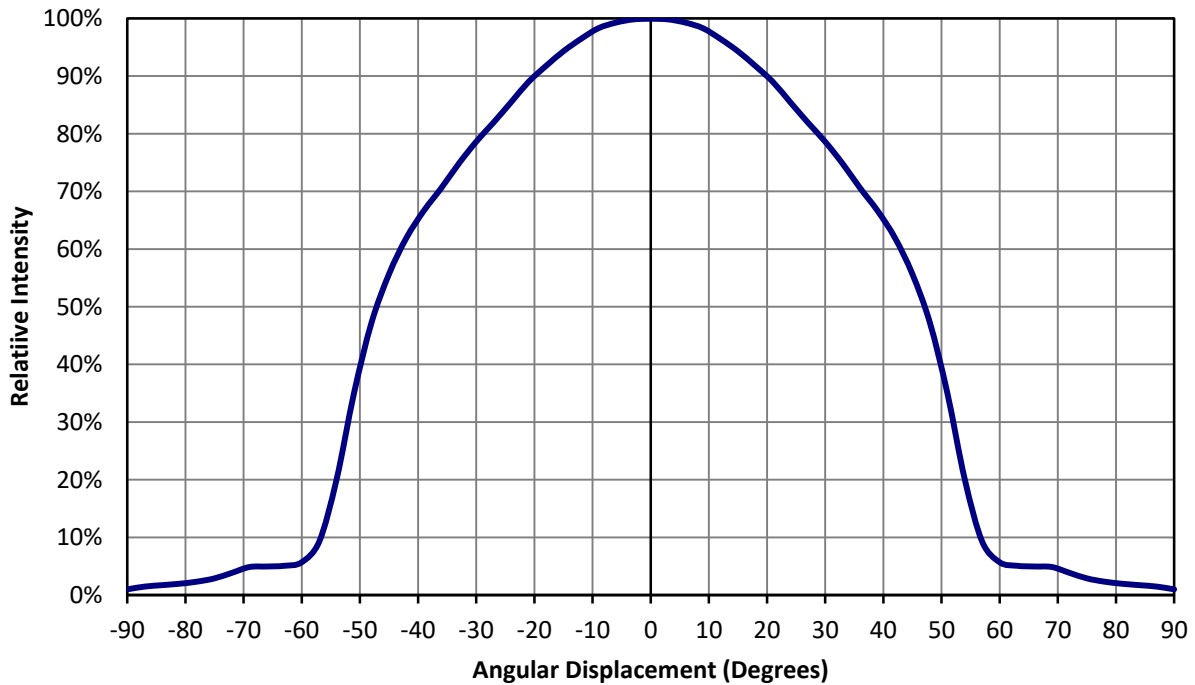


Figure 4: Typical representative spatial radiation pattern.

Typical Relative Spectral Power Distribution

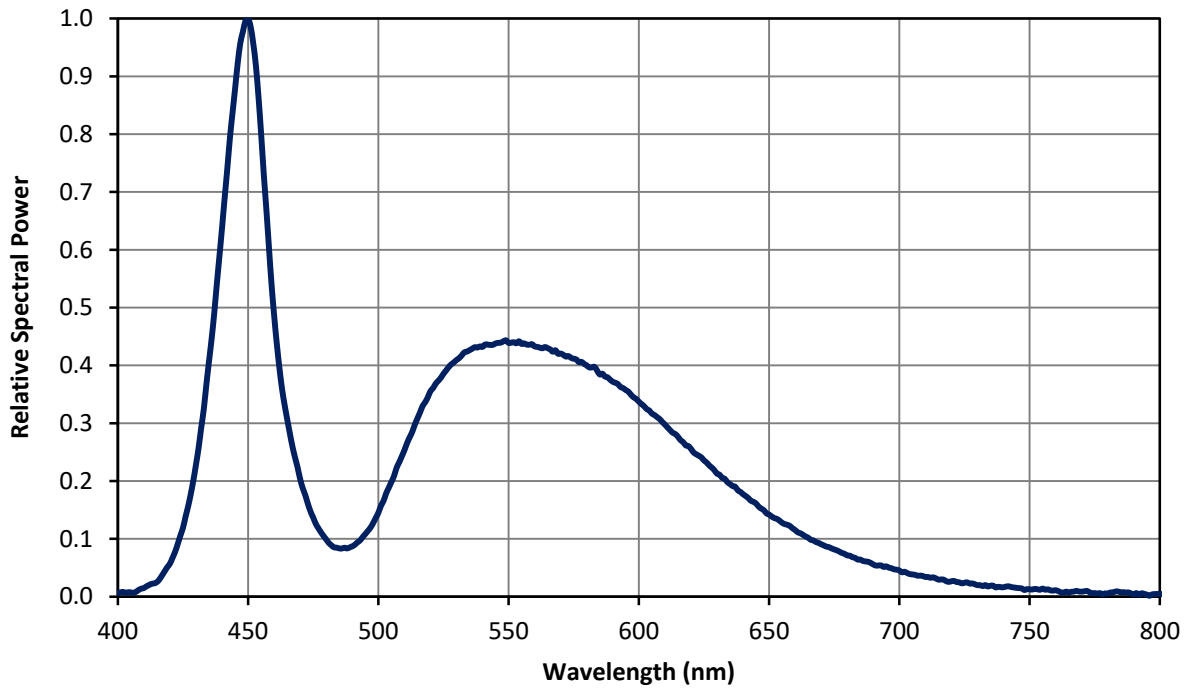


Figure 5: Relative spectral power vs. wavelength @ T_c = 25°C.

Typical Forward Current Characteristics

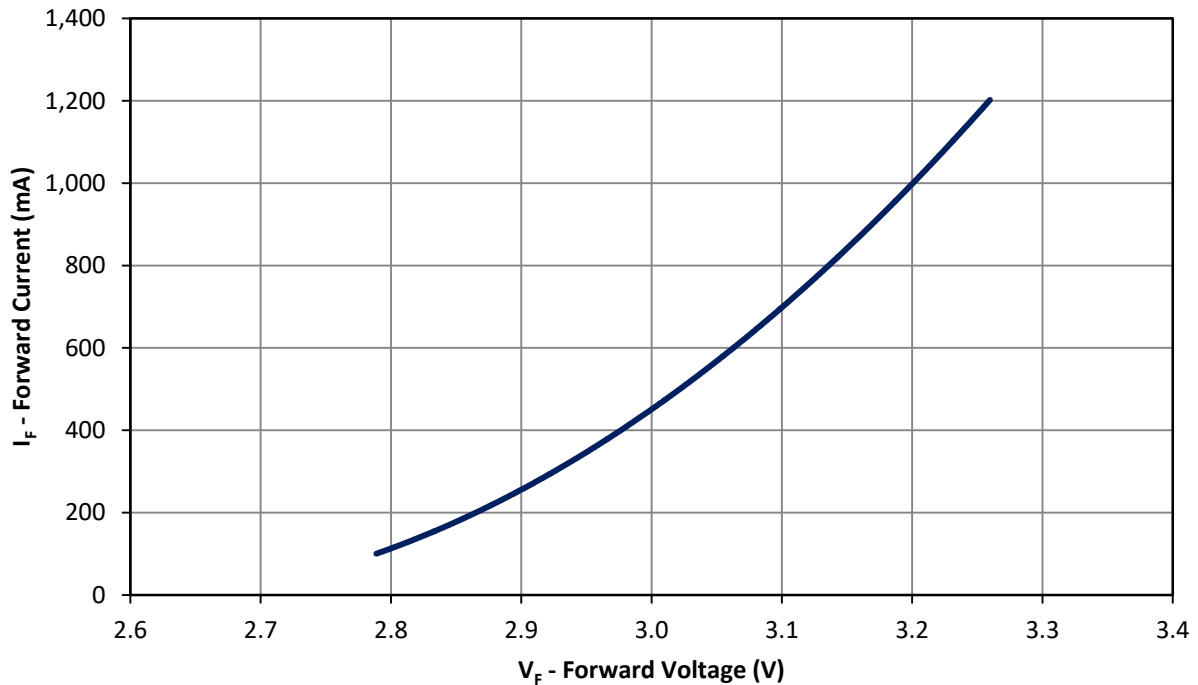


Figure 6: Typical forward current vs. forward voltage @ T_c = 25°C.

Typical Relative Light Output over Current

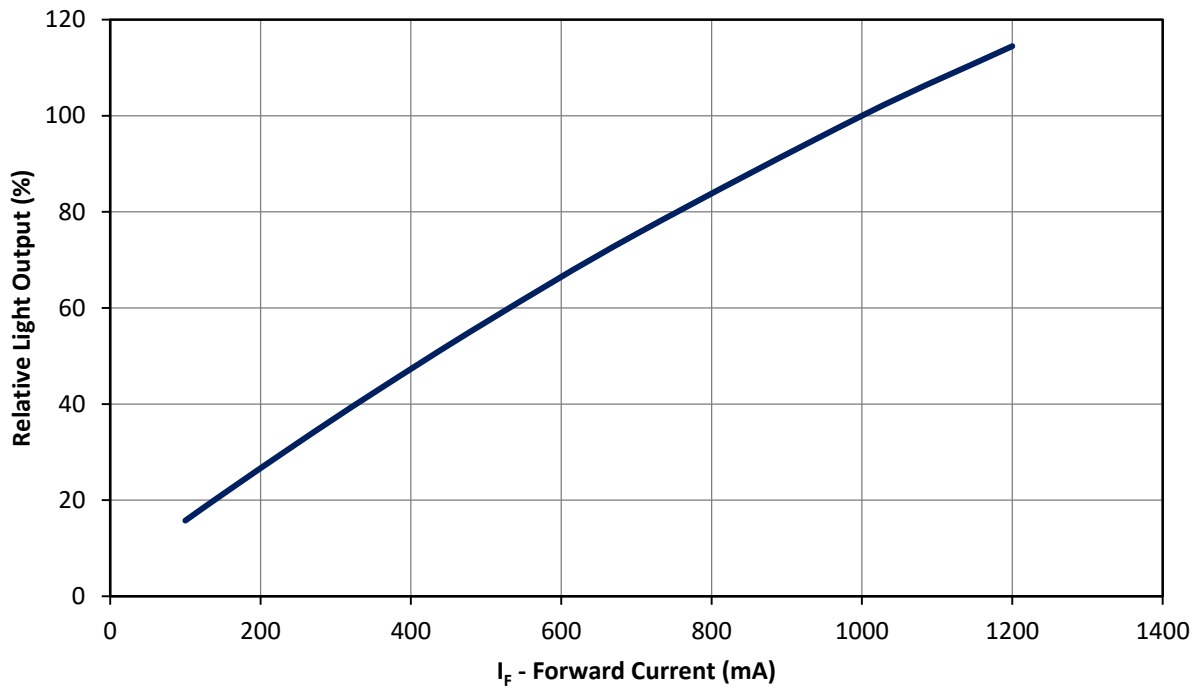


Figure 7: Typical relative light output vs. forward current @ $T_c = 25^\circ\text{C}$.

Typical Relative Light Output over Temperature

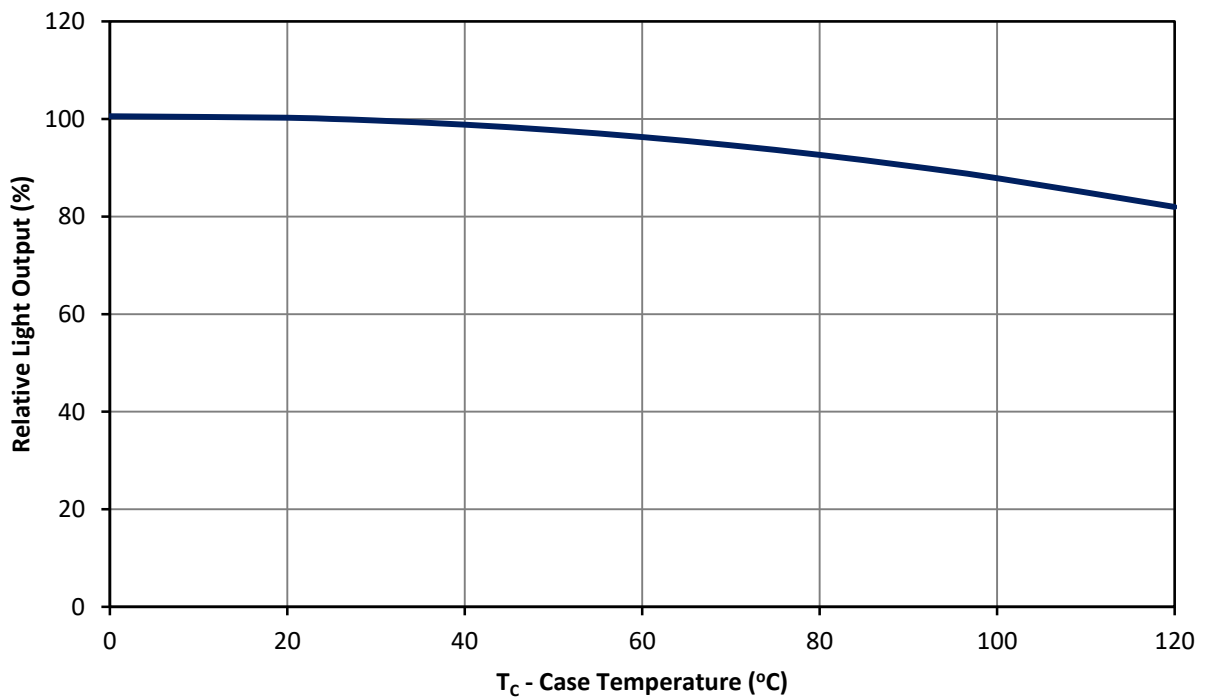


Figure 8: Typical relative light output vs. case temperature.

Typical Chromaticity Coordinate Shift over Current

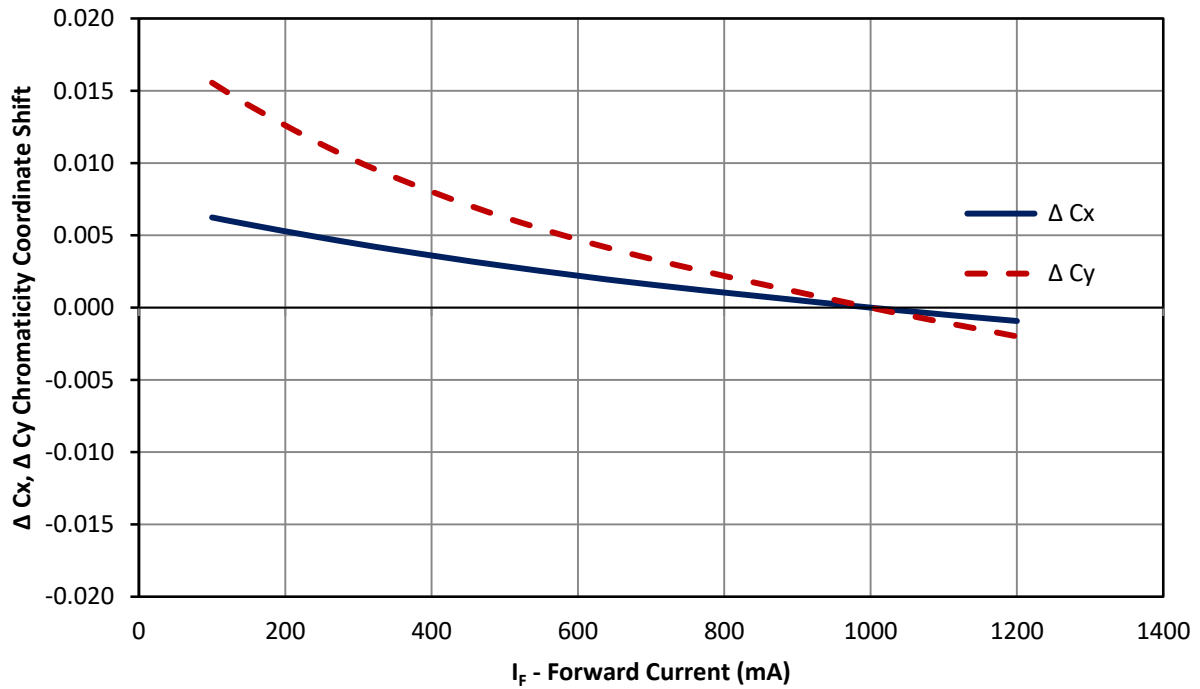


Figure 9: Typical chromaticity coordinate shift vs. forward current @ $T_c = 25^\circ\text{C}$.

Typical Chromaticity Coordinate Shift over Temperature

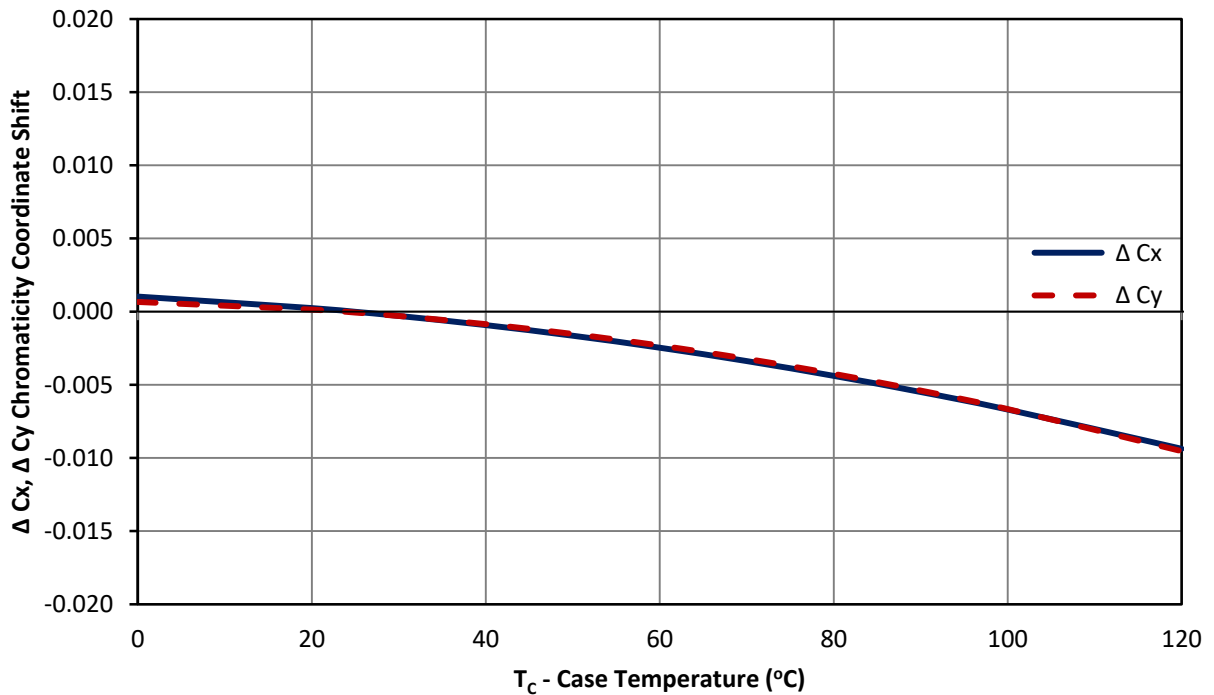


Figure 10: Typical chromaticity coordinate shift vs. case temperature

Current De-rating

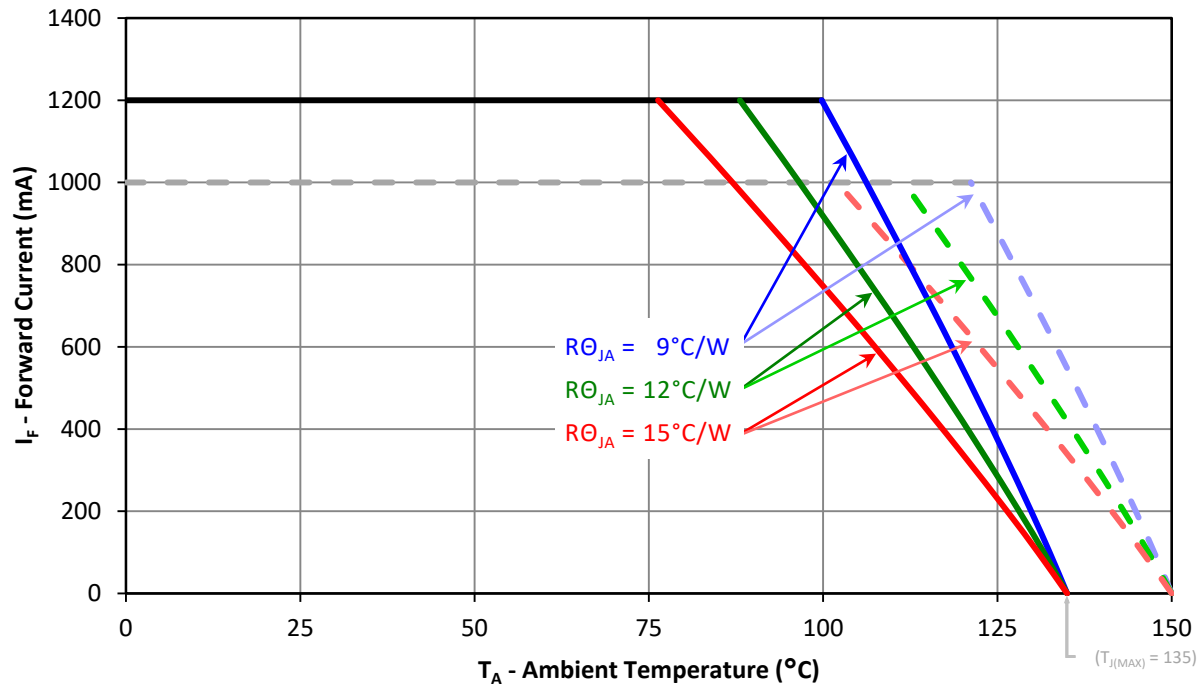


Figure 11: Maximum forward current vs. ambient temperature

Notes for Figure 11:

1. $R\theta_{J-C}$ [Junction to Case Thermal Resistance] for the LZ1-00CW02 is typically 6.0°C/W .
2. $R\theta_{J-A}$ [Junction to Ambient Thermal Resistance] = $R\theta_{J-C}$ + $R\theta_{C-A}$ [Case to Ambient Thermal Resistance].

Emitter Tape and Reel Specifications (mm)

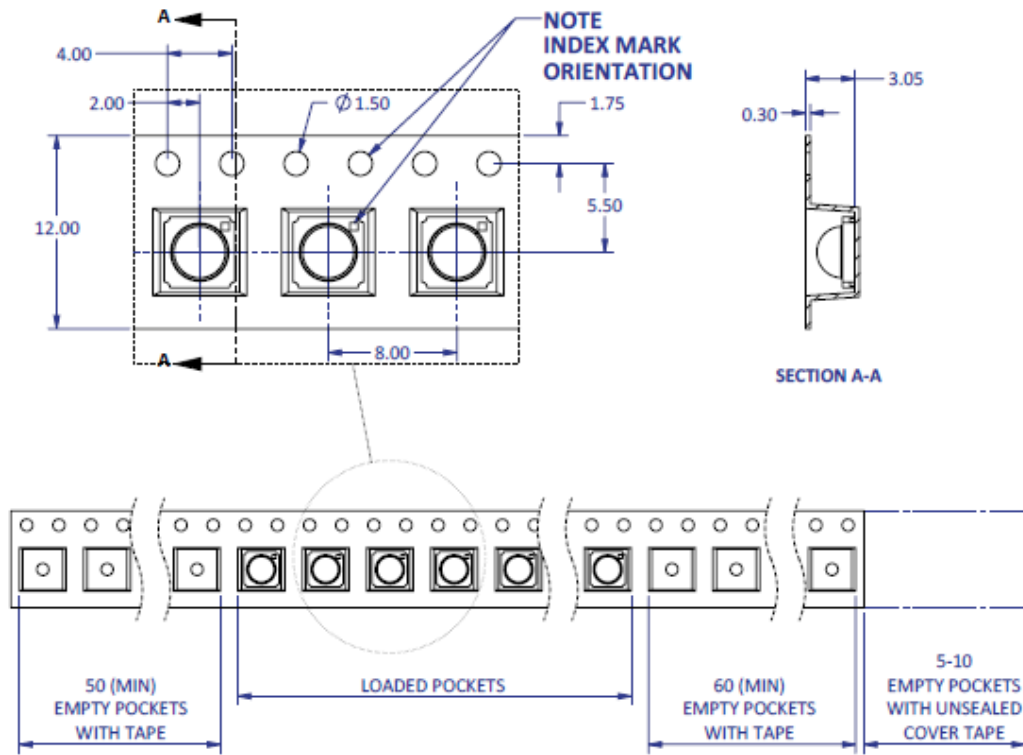


Figure 12: Emitter carrier tape specifications (mm).

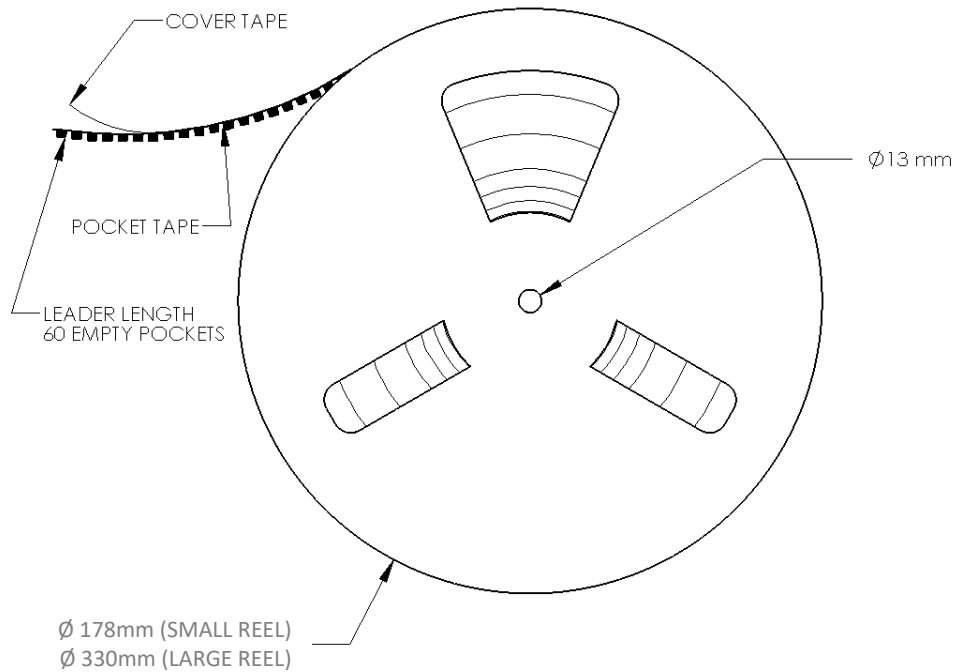


Figure 13: Emitter reel specifications (mm).

Notes:

1. Small reel quantity: up to 500 emitters
2. Large reel quantity: 501-2500 emitters.
3. Single flux bin and single wavelength bin per reel.

LZ1 MCPCB Family

| Part number | Type of MCPCB | Diameter (mm) | Emitter + MCPCB Thermal Resistance (°C/W) | Typical V _F (V) | Typical I _F (mA) |
|-------------|----------------|---------------|---|----------------------------|-----------------------------|
| LZ1-1xxxxx | 1-channel Star | 19.9 | 6.0 + 1.5 = 7.5 | 3.2 | 1000 |

Mechanical Mounting of MCPCB

- MCPCB bending should be avoided as it will cause mechanical stress on the emitter, which could lead to substrate cracking and subsequently LED dies cracking.
- To avoid MCPCB bending:
 - Special attention needs to be paid to the flatness of the heat sink surface and the torque on the screws.
 - Care must be taken when securing the board to the heat sink. This can be done by tightening three M3 screws (or #4-40) in steps and not all the way through at once. Using fewer than three screws will increase the likelihood of board bending.
 - It is recommended to always use plastics washers in combinations with the three screws.
 - If non-taped holes are used with self-tapping screws, it is advised to back out the screws slightly after tightening (with controlled torque) and then re-tighten the screws again.

Thermal interface material

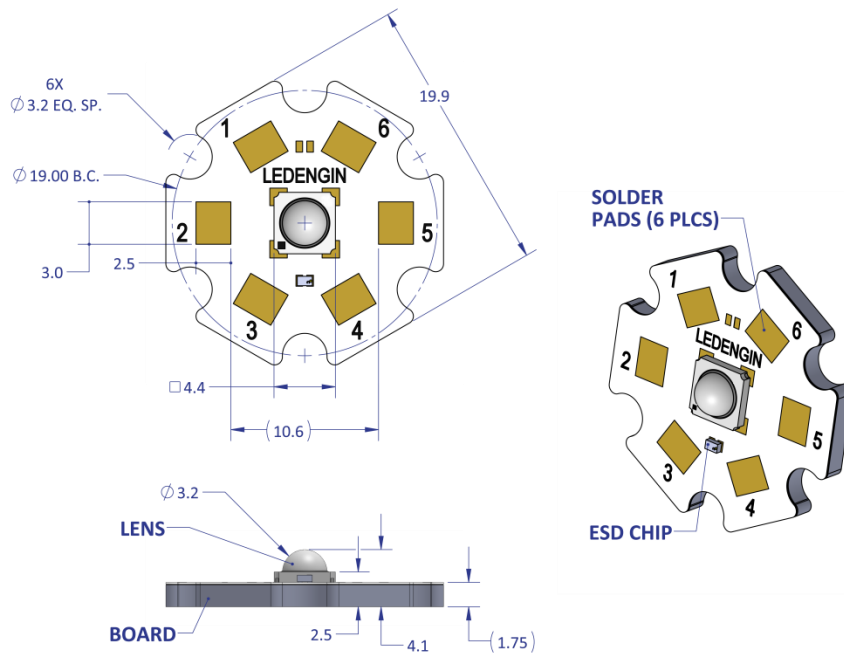
- To properly transfer heat from LED emitter to heat sink, a thermally conductive material is required when mounting the MCPCB on to the heat sink.
- There are several varieties of such material: thermal paste, thermal pads, phase change materials and thermal epoxies. An example of such material is Electrolube EHTC.
- It is critical to verify the material's thermal resistance to be sufficient for the selected emitter and its operating conditions.
- It is recommended to verify thermal design by measuring case temperature (T_c) during design phase.

Wire soldering

- To ease soldering wire to MCPCB process, it is advised to preheat the MCPCB on a hot plate of 125-150°C. Subsequently, apply the solder and additional heat from the solder iron will initiate a good solder reflow. It is recommended to use a solder iron of more than 60W.
- It is advised to use lead-free, no-clean solder. For example: SN-96.5 AG-3.0 CU 0.5 #58/275 from Kester (pn: 24-7068-7601)

LZ1-1xxxxx

1 channel, Standard Star MCPCB (1x1) Dimensions (mm)



Notes:

- Unless otherwise noted, the tolerance = ± 0.2 mm.
- Slots in MCPCB are for M3 or #4-40 mounting screws.
- LED Engin recommends plastic washers to electrically insulate screws from solder pads and electrical traces.
- LED Engin recommends using thermal interface material when attaching the MCPCB to a heat sink.
- The thermal resistance of the MCPCB is: $RO_{C-B} 1.5^{\circ}\text{C/W}$

Components used

MCPCB: HT04503 (Bergquist)
 ESD/TVS diode: BZT52C5V1LP-7 (Diodes, Inc., for 1 LED die)
 VBUS05L1-DD1 (Vishay Semiconductors, for 1 LED die)

| Pad layout | | | |
|------------|-----------|------------|-----------|
| Ch. | MCPCB Pad | String/die | Function |
| 1 | 1,2,3 | 1/A | Cathode - |
| | 4,5,6 | | Anode + |

About LED Engin

LED Engin, an OSRAM business based in California's Silicon Valley, develops, manufactures, and sells advanced LED emitters, optics and light engines to create uncompromised lighting experiences for a wide range of entertainment, architectural, general lighting and specialty applications. LuxiGen™ multi-die emitter and secondary lens combinations reliably deliver industry-leading flux density, upwards of 5000 quality lumens to a target, in a wide spectrum of colors including whites, tunable whites, multi-color and UV LEDs in a unique patented compact ceramic package. Our LuxiTune™ series of tunable white lighting modules leverage our LuxiGen emitters and lenses to deliver quality, control, freedom and high density tunable white light solutions for a broad range of new recessed and downlighting applications. The small size, yet remarkably powerful beam output and superior in-source color mixing, allows for a previously unobtainable freedom of design wherever high-flux density, directional light is required. LED Engin is committed to providing products that conserve natural resources and reduce greenhouse emissions; and reserves the right to make changes to improve performance without notice.

For more information, please contact LEDE-Sales@osram.com or +1 408 922-7200.

Компания «Океан Электроники» предлагает заключение долгосрочных отношений при поставках импортных электронных компонентов на взаимовыгодных условиях!

Наши преимущества:

- Поставка оригинальных импортных электронных компонентов напрямую с производств Америки, Европы и Азии, а так же с крупнейших складов мира;
- Широкая линейка поставок активных и пассивных импортных электронных компонентов (более 30 млн. наименований);
- Поставка сложных, дефицитных, либо снятых с производства позиций;
- Оперативные сроки поставки под заказ (от 5 рабочих дней);
- Экспресс доставка в любую точку России;
- Помощь Конструкторского Отдела и консультации квалифицированных инженеров;
- Техническая поддержка проекта, помощь в подборе аналогов, поставка прототипов;
- Поставка электронных компонентов под контролем ВП;
- Система менеджмента качества сертифицирована по Международному стандарту ISO 9001;
- При необходимости вся продукция военного и аэрокосмического назначения проходит испытания и сертификацию в лаборатории (по согласованию с заказчиком);
- Поставка специализированных компонентов военного и аэрокосмического уровня качества (Xilinx, Altera, Analog Devices, Intersil, Interpoint, Microsemi, Actel, Aeroflex, Peregrine, VPT, Syfer, Eurofarad, Texas Instruments, MS Kennedy, Miteq, Cobham, E2V, MA-COM, Hittite, Mini-Circuits, General Dynamics и др.);

Компания «Океан Электроники» является официальным дистрибьютором и эксклюзивным представителем в России одного из крупнейших производителей разъемов военного и аэрокосмического назначения «JONHON», а так же официальным дистрибьютором и эксклюзивным представителем в России производителя высокотехнологичных и надежных решений для передачи СВЧ сигналов «FORSTAR».



JONHON

«JONHON» (основан в 1970 г.)

Разъемы специального, военного и аэрокосмического назначения:

(Применяются в военной, авиационной, аэрокосмической, морской, железнодорожной, горно- и нефтедобывающей отраслях промышленности)

«FORSTAR» (основан в 1998 г.)

ВЧ соединители, коаксиальные кабели,
кабельные сборки и микроволновые компоненты:

(Применяются в телекоммуникациях гражданского и специального назначения, в средствах связи, РЛС, а так же военной, авиационной и аэрокосмической отраслях промышленности).



Телефон: 8 (812) 309-75-97 (многоканальный)

Факс: 8 (812) 320-03-32

Электронная почта: ocean@oceanchips.ru

Web: <http://oceanchips.ru/>

Адрес: 198099, г. Санкт-Петербург, ул. Калинина, д. 2, корп. 4, лит. А