

# Solid-state Timer H3DS

## DIN Track Mounted, Standard 17.5-mm Width Timer Range

- A wide AC/DC power supply range (24 to 230 VAC/ 24 to 48 VDC) reduces the number of timer models kept in stock. (24 to 230 VAC/VDC with H3DS-XL□)
- Smart Dial/Selector-locking Mechanism: Prevents the dials and selectors on the Timer's front panel from being inadvertently operated or being operated without authorization. The lock can only be unlocked and locked with an optional pen-type Lock Key.
- Screw-Less Clamp type available. (H3DS-□LC)
- Sticker provided for easy timer identification and management.
- Terminal clamp left open when delivered (screw terminal type).
- Finger protection terminal block to meet VDE0106/P100.
- Enables easy sequence checks through instantaneous outputs for a zero set value at any time range.
- Incorporates environment-friendly, cadmium-free contacts.
- Conforms to EN61812-1 and IEC60664-1 4 kV/2 for Low Voltage, and EMC Directives.

## ■ Broad Line-up of H3DS Series



## Contents

### Solid-state Timer

|                   |    |
|-------------------|----|
| H3DS-M/-S/-A..... | 2  |
| H3DS-F.....       | 13 |
| H3DS-G.....       | 20 |
| H3DS-X.....       | 27 |

### Common to ALL Timers

|  |    |
|--|----|
| Installation of Screw-Less Clamp Models..... | 33 |
| Accessories.....                             | 36 |
| Precautions.....                             | 37 |

# Solid-state Multi-functional Timer H3DS-M/-S/-A

- Eight operating modes (H3DS-M) and four operating modes (H3DS-S) cover a wide range of applications.
- A wide time setting range of 0.10 s to 120 h.
- Two LEDs indicate power and relay status respectively.



## Model Number Structure

### Model Number Legend

H3DS -  $\square$   $\frac{L}{2}$   $\square$   
           1    2    3

1. M: Multi-function type  
    S: Standard type  
    A: Single-function type
2. L: Smart lock mechanism
3. None: Screw terminal type  
    C: Screw-Less Clamp type

## Ordering Information

### List of Models

| Supply voltage                           | Control output  | Input type         | Operating mode<br>(see note)                  | Model               |                       |
|--|---|--------------------|---|---------------------|-----------------------|
|  |   |                    |   | Screw terminal type | Screw-Less Clamp type |
| 24 to 230 VAC (50/60Hz)/<br>24 to 48 VDC | Contact output: SPDT<br>(time-limit output SP-<br>DT) | Voltage input      | Eight multi-modes: A, B,<br>B2, C, D, E, G, J | H3DS-ML             | H3DS-MLC              |
|  |   | No-input available | Four multi-modes: A, B2,<br>E, J              | H3DS-SL             | H3DS-SLC              |
|  |   |                    | Single mode: A                                | H3DS-AL             | H3DS-ALC              |

**Note:** The operating modes are as follows:

- A: ON-delay
- B: Flicker OFF start
- B2: Flicker ON start
- C: Signal ON/OFF-delay
- D: Signal OFF-delay
- E: Interval
- G: Signal ON/OFF-delay
- J: One shot

**■ Accessories (Order Separately)**

|                |                        |           |
|----------------|------------------------|-----------|
| Lock Key       |                        | Y92S-38   |
| Mounting Track | 50 cm (l) x 7.3 mm (t) | PFP-50N   |
|                | 1 m (l) x 7.3 mm (t)   | PFP-100N  |
|                | 1 m (l) x 16 mm (t)    | PFP-100N2 |
| End Plate      |                        | PFP-M     |
| Spacer         |                        | PEP-S     |

# Specifications

## ■ General

| Item                                    | H3DS-ML□   | H3DS-SL□  | H3DS-AL□            |
|---|--|---|---------------------|
| <b>Operating mode</b>                   | A: ON-delay (Signal or Power)<br>B: Flicker OFF start (Signal or Power)<br>B2: Flicker ON start (Signal or Power)<br>C: Signal ON/OFF-delay<br>D: Signal OFF-delay<br>E: Interval (Signal or Power)<br>G: Signal ON/OFF-delay<br>J: One-shot (Signal or Power) | A: ON-delay<br>B2: Flicker ON start<br>E: Interval<br>J: One-shot | A: ON-delay (fixed) |
| <b>Input type</b>                       | Voltage input  | ---   |                     |
| <b>Output type</b>                      | Relay: SPDT  |   |                     |
| <b>External connections</b>             | Screw terminal, Screw-Less Clamp   |   |                     |
| <b>Terminal block</b>                   | Screw terminal type: Clamps two 2.5-mm <sup>2</sup> max. bar terminals without sleeves.<br>Screw-Less Clamp type: Clamps two 1.5-mm <sup>2</sup> max. bar terminals without sleeves.   |   |                     |
| <b>Terminal screw tightening torque</b> | 0.98 N·m max.  |   |                     |
| <b>Mounting method</b>                  | DIN track mounting (see note)  |   |                     |
| <b>Attachment</b>                       | Nameplate label  |   |                     |
| <b>Approved standards</b>               | UL508, CSA C22.2 No.14<br>Conforms to EN61812-1, IEC60664-1 4 kV/2, VDE0106/P100<br>Output category according to IEC60947-5-1 (AC-13; 250 V 5 A/AC-14; 250 V 1 A/AC-15; 250 V 1 A/DC-13; 30 V 0.1 A/DC-14; 30 V 0.05 A)  |   |                     |

**Note:** Can be mounted to 35-mm DIN Track with a plate thickness of 1 to 2.5 mm.

## ■ Time Ranges

| Time scale display | Time range     |
|--------------------|----------------|
| 0.1 s              | 0.1 to 1.2 s   |
| 1 s                | 1 to 12 s      |
| 0.1 m              | 0.1 to 1.2 min |
| 1 m                | 1 to 12 min    |
| 0.1 h              | 0.1 to 1.2 h   |
| 1 h                | 1 to 12 h      |
| 10 h               | 10 to 120 h    |

**Note:** When the time setting dial is set to "0" for any time scale, the output will operate instantaneously.

## ■ Ratings

|  |   |
|--|---|
| <b>Rated supply voltage</b><br>(see notes 1 and 2) | 24 to 230 VAC (50/60 Hz)/24 to 48 VDC   |
| <b>Operating voltage range</b>                     | 85% to 110% of rated supply voltage   |
| <b>Power reset</b>                                 | Minimum power-off time: 0.1 s   |
| <b>Reset voltage</b>                               | 2.4 VAC/DC max.   |
| <b>Power consumption (see note 3)</b>              | AC: 32 VA max./3.0 W max. (typical: 30 VA/2.7 W) at 230 VAC<br>14 VA max./2.2 W max. (typical: 13 VA/2.1 W) at 100 to 120 VAC<br>DC: 0.7 W max. (typical: 0.6 W) at 24 VDC<br>1.4 W max. (typical: 1.3 W) at 48 VDC           |
| <b>Voltage input</b>                               | Max. permissible capacitance between inputs lines (terminals B1 and A2): 2,000 pF<br>Load connectable in parallel with inputs (terminals B1 and A1).<br>H-level: 20.4 to 253 VAC/20.4 to 52.8 VDC<br>L-level: 0 to 2.4 VAC/DC |
| <b>Control output</b>                              | Contact output: 5 A at 250 VAC with resistive load ( $\cos\phi = 1$ )<br>5 A at 30 VDC with resistive load ( $\cos\phi = 1$ )   |
| <b>Ambient temperature</b>                         | Operating: -10°C to 55°C (with no icing)<br>Storage: -25°C to 65°C (with no icing)  |
| <b>Ambient humidity</b>                            | Operating: 35% to 85%   |

**Note:** 1. DC ripple rate: 20% max.

- Since an inrush current of 0.5 A will occur when using the power supply voltage at 24 VDC, pay careful attention when turning on or off the power supply to the Timer with a solid-state output such as a sensor.
- The power consumption is for mode A after the Timer counts the time-up time and for the AC input at 50 Hz. The power consumption of the H3DS-ML includes the input circuit with the B1 and A1 terminals short-circuited.

## ■ Characteristics

|                                   |   |
|-----------------------------------|---|
| <b>Accuracy of operating time</b> | ±1% max. of FS (±1% ±10 ms max. at 1.2-s range)   |
| <b>Setting error</b>              | ±10% ±50 ms max. of FS  |
| <b>Signal input time</b>          | 50 ms min.  |
| <b>Influence of voltage</b>       | ±0.7% max. of FS (±0.7% ±10 ms max. at 1.2-s range)   |
| <b>Influence of temperature</b>   | ±5% max. of FS (±5% ±10 ms max. at 1.2-s range)   |
| <b>Insulation resistance</b>      | 100 MΩ min. at 500 VDC  |
| <b>Dielectric strength</b>        | Between current-carrying metal parts and exposed non-current-carrying metal parts: 2,000 VAC for 1 min.<br>Between control output terminals and operating circuit: 2,000 VAC for 1 min.<br>Between contacts not located next to each other: 1,000 VAC for 1 min.  |
| <b>Vibration resistance</b>       | Malfunction: 0.5-mm single amplitude at 10 to 55 Hz<br>Destruction: 0.75-mm single amplitude at 10 to 55 Hz   |
| <b>Shock resistance</b>           | Malfunction: 100 m/s <sup>2</sup> 3 times each in 6 directions<br>Destruction: 1,000 m/s <sup>2</sup> 3 times each in 6 directions  |
| <b>Impulse withstand voltage</b>  | 3 kV (between power terminals)<br>4.5 kV (between current-carrying metal parts and exposed non-current-carrying metal parts)  |
| <b>Noise immunity</b>             | Square-wave noise generated by noise simulator (pulse width: 100 ns/1 μs, 1-ns rise) ±1.5 kV  |
| <b>Static immunity</b>            | Malfunction: 4 kV<br>Destruction: 8 kV  |
| <b>Life expectancy</b>            | Mechanical: 10 million operations min. (under no load at 1,800 operations/h)<br>Electrical: 100,000 operations min. (5 A at 250 VAC, resistive load at 360 operations/h)<br>(see note)  |
| <b>EMC</b>                        | (EMI) EN61812-1<br>Emission Enclosure: EN55011 Group 1 class B<br>Emission AC Mains: EN55011 Group 1 class B<br>Harmonic Current: EN61000-3-2<br>Voltage Fluctuation and Flickering: EN61000-3-3<br>(EMS) EN61812-1<br>Immunity ESD: EN61000-4-2: 6 kV contact discharge (level 3)<br>8 kV air discharge (level 3)<br>Immunity RF-interference from AM Radio Waves: EN61000-4-3: 10 V/m (80 MHz to 1 GHz) (level 3)<br>Immunity Burst: EN61000-4-4: 2 kV power port and output port (level 3)<br>1 kV control port with capacitive clamp (level 3)<br>Immunity Surge: EN61000-4-5: 2 kV common mode (level 3)<br>1 kV differential mode (level 3) |
| <b>Case color</b>                 | Light gray (5Y7/1)  |
| <b>Degree of protection</b>       | IP30 (Terminal block: IP20)   |
| <b>Weight</b>                     | Approx. 70 g  |

**Note:** For reference:

A maximum current of 0.15 A can be switched at 125 VDC (cosφ=1).

A maximum current of 0.1 A can be switched if L/R is 7 ms.

In both cases, a life of 100,000 operations can be expected.

The minimum applicable load is 10 mA at 5 VDC (failure level: P).

# Connections

## ■ Block Diagram

H3DS-ML□



H3DS-SL□/-AL□



## ■ I/O Functions

| Item   |                | H3DS-ML□  | H3DS-SL□/-AL□   |
|--------|----------------|---|---|
| Input  | Start          | Starts operation.   | No input is available.  |
| Output | Control output | Outputs are turned ON according to designated output mode when preset value is reached. | Outputs are turned ON according to designated output mode when preset value is reached. |

## Terminal Arrangement



**Note: 1.** DC supply voltage does not require the designation of polarity.

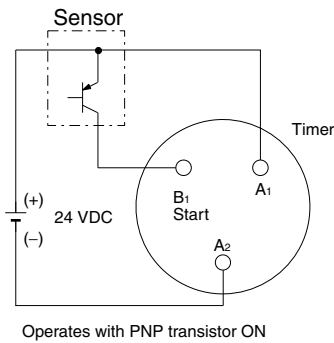
**2.** The contact symbol for the H3DS is indicated with because it offers multiple operating modes and is different from the delayed contact for conventional timers.

## Input Connections

The inputs of the H3DS-ML□ are voltage (voltage imposition or open) inputs.

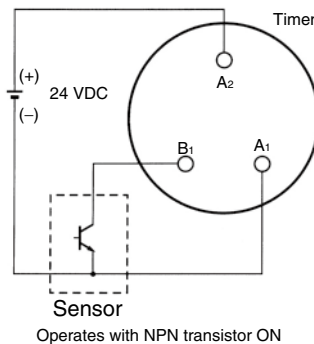
### No-contact Input

(Connection to PNP output sensor.)

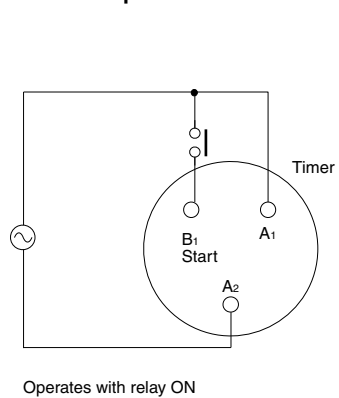


### No-contact Input

(Connection to NPN output sensor.)



### Contact Input



### Voltage Input Signal Levels

|                  |   |
|------------------|---|
| No-contact input | 1. Transistor ON<br>Residual voltage: 1 V max.<br>(Voltage between terminals B <sub>1</sub> and A <sub>2</sub> must be more than the rated "H-level" voltage (20.4 VDC min.).)  |
|                  | 2. Transistor OFF<br>Leakage current: 0.01 mA max.<br>(Voltage between terminals B <sub>1</sub> and A <sub>2</sub> must be less than the rated "L-level" voltage (2.4 VDC max.).)   |
| Contact input    | Use contacts that can adequately switch 0.1 mA at each voltage to be imposed. (When the contacts are ON or OFF, voltage between terminals B <sub>1</sub> and A <sub>2</sub> must be within the following ranges:<br>When contacts are ON: 20.4 to 253 VAC/20.4 to 52.8 VDC<br>When contacts are OFF: 0 to 2.4 VAC/DC) |

# Operation

## ■ Basic Operation

### Setting of Selector

The selectors can be turned clockwise and counterclockwise to select the desired time scale, or operating mode.

Each selector has a snap mechanism that secures the selector at a given position. Set the selector at a position at which it is secured. Do not set it midway between two securing positions or a malfunction could result from improper setting.

### Selection of Operating Mode (except for H3DS-AL)

The H3DS-ML/-SL can be set to any one of the operating modes A to J. Turn the operating mode selector with a screwdriver until the desired operating mode appears in the operating mode display window.

H3DS-ML (8 modes): A, B, B2, C, D, E, G, J  
(In order of appearance)

H3DS-SL (4 modes): A, E, B2, J, E, E, J, J  
(In order of appearance)

**Note:** Letters that appear more than once indicate exactly the same operating mode.

### Selection of Time Scale

The time scale is selected by turning the time scale selector. The time scales will appear in the following order in the time scale display window on the left of the selector:

1 s, 0.1 s, 1 h, 0.1 h, 10 h, 1 h, 1 m, 0.1 m.

**Note:** The time scale "1h" appears twice. Both instances indicate exactly the same time scale.



### Locking/Unlocking of Selectors and Time Setting Dial

The time setting dial, time scale selector, and operating mode selector can be locked using the Y92S-38 Lock Key, a special pen type tool that is sold separately. To lock the dial or selectors, insert the Lock Key in the keyhole to the lower right of the dial or selector and turn it clockwise until the dial or selector is completely covered with the red cover. To unlock, turn the Lock Key in the opposite direction.





# ■ Timing Chart

- Note:** 1. The minimum power reset time is 0.1 s and the minimum signal input time is 0.05 s.  
 2. The letter "t" in the timing charts stands for the set time and "t-a" means that the period is less than the time set.  
 3. There is no start input for H3DS-SL□/-AL□ models. Operation starts at power-on.

| Operating mode                | Timing chart |  |
|-------------------------------|--------------|--|
| <b>A: ON-delay</b>            |              | <p><b>Basic operation</b></p> <p>* For power-on operation, impose voltage to the Start input. The Timer starts operating at the moment the power is turned on.<br/>                 ** Start input is invalid while the Timer is in operation.</p> |
| <b>B: Flicker OFF start</b>   |              | <p><b>Basic operation</b></p> <p>* For power-on operation, impose voltage to the Start input. The Timer starts operating at the moment the power is turned on.<br/>                 ** Start input is invalid while the Timer is in operation.</p> |
| <b>B2: Flicker ON start</b>   |              | <p><b>Basic operation</b></p> <p>* For power-on operation, impose voltage to the Start input. The Timer starts operating at the moment the power is turned on.<br/>                 ** Start input is invalid while the Timer is in operation.</p> |
| <b>C: Signal ON/OFF-delay</b> |              | <p><b>Basic operation</b></p> <p>* Start input is invalid while the Timer is in operation.</p>   |

**Note:** The start input of the H3DS-ML□ model is activated by applying a voltage to B1 and A2 terminals. The voltage can be applied by turning on the contact between B1 and A1 (Refer to *Terminal Arrangement*).



**Note:** The start input of the H3DS-ML□ model is activated by applying a voltage to B1 and A2 terminals. The voltage can be applied by turning on the contact between B1 and A1 (Refer to *Terminal Arrangement*).

# Nomenclature

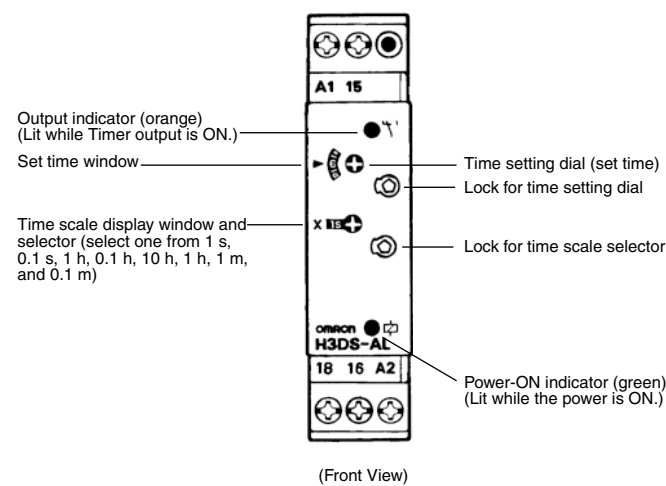
## H3DS-ML□/-SL□



## H3DS-MLC/-SLC



## H3DS-AL□



## H3DS-ALC

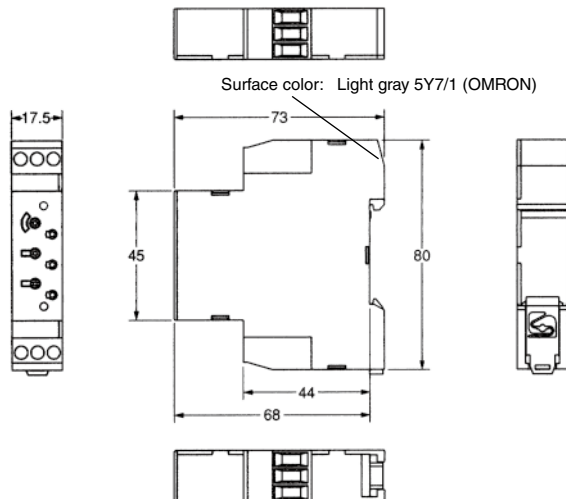


Attach the enclosed label here as a nameplate.  
(The label is attached to the Timer's DIN Track hook section at the time of shipment.)

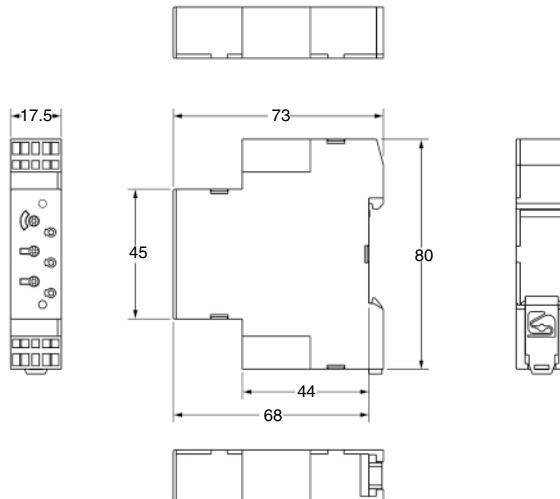
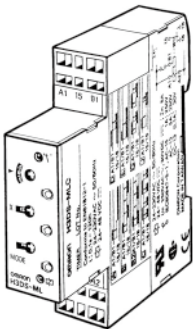
# Dimensions

**Note:** All units are in millimeters unless otherwise indicated.

## H3DS-ML/-SL/-AL



## H3DS-MLC/-SLC/-ALC



ALL DIMENSIONS SHOWN ARE IN MILLIMETERS.  
 To convert millimeters into inches, multiply by 0.03937. To convert grams into ounces, multiply by 0.03527.

In the interest of product improvement, specifications are subject to change without notice.

# Solid-state Twin Timer H3DS-F

- Operates in flicker-OFF or flicker-ON start mode with one Unit.
- Independent ON- and OFF-time settings.  
Combinations of long ON- or OFF-time and short OFF- or ON-time setting are possible.
- Long time range from 0.1 s to 12 h for both ON and OFF time settings.



## Model Number Structure

### Model Number Legend

H3DS -F L □  
1 2 3

1. F: Twin timers
2. L: Smart lock mechanism
3. None: Screw terminal type  
C: Screw-Less Clamp type

## Ordering Information

### List of Models

| Operating mode               | Supply voltage                        | Model               |                       |
|------------------------------|---------------------------------------|---------------------|-----------------------|
|                              |                                       | Screw terminal type | Screw-Less Clamp type |
| Flicker-OFF/Flicker-ON start | 24 to 230 VAC (50/60 Hz)/24 to 48 VDC | H3DS-FL             | H3DS-FLC              |

### Accessories (Order Separately)

|                |                        |           |
|----------------|------------------------|-----------|
| Lock Key       |                        | Y92S-38   |
| Mounting Track | 50 cm (l) x 7.3 mm (t) | PFP-50N   |
|                | 1 m (l) x 7.3 mm (t)   | PFP-100N  |
|                | 1 m (l) x 16 mm (t)    | PFP-100N2 |
| End Plate      |                        | PFP-M     |
| Spacer         |                        | PEP-S     |

# Specifications

## ■ General

| Item                             | H3DS-F   |
|----------------------------------|--|
| Operating mode                   | Flicker-OFF/Flicker-ON start   |
| Output type                      | Relay: SPDT  |
| External connections             | Screw terminal, Screw-Less Clamp   |
| Terminal block                   | Screw terminal type: Clamps two 2.5-mm <sup>2</sup> max. bar terminals without sleeves.<br>Screw-Less Clamp type: Clamps two 1.5-mm <sup>2</sup> max. bar terminals without sleeves. |
| Terminal screw tightening torque | 0.98 N·m max.  |
| Mounting method                  | DIN track mounting (see note)  |
| Attachment                       | Nameplate label  |
| Approved standards               | UL508, CSA C22.2 No.14<br>Conforms to EN61812-1, IEC60664-1 4 kV/2, VDE0106/P 100<br>Output category according to IEC60947-5-1 (AC-13; 250 V 5A/AC-15; 250 V 1 A/DC-13; 30 V 0.1 A)  |

**Note:** Can be mounted to 35-mm DIN Track with a plate thickness of 1 to 2.5 mm.

## ■ Time Ranges

| Time scale display | Time range     |
|--------------------|----------------|
| 0.1 s              | 0.1 to 1.2 s   |
| 1 s                | 1 to 12 s      |
| 0.1 m              | 0.1 to 1.2 min |
| 1 m                | 1 to 12 min    |
| 0.1 h              | 0.1 to 1.2 h   |
| 1 h                | 1 to 12 h      |

**Note:** When the time setting dial is set to "0" for any time scale, the output will operate instantaneously.

## ■ Ratings

|                                  |   |
|----------------------------------|---|
| Rated supply voltage (See note.) | 24 to 230 VAC (50/60 Hz)/24 to 48 VDC   |
| Operating voltage range          | 85% to 110% of rated supply voltage   |
| Power reset                      | Minimum power-off time: 0.1 s   |
| Reset voltage                    | 2.4 VAC/DC max.   |
| Power consumption                | AC: 33 VA max./2.2 W max. (typical: 31 VA/2.0 W) at 230 VAC<br>11 VA max./1.9 W max. (typical: 9.7 VA/1.7 W) at 100 to 120 VAC<br>DC: 0.7 W max. (typical: 0.6 W) at 24 VDC<br>1.4 W max. (typical: 1.2 W) at 48 VDC          |
| Voltage input                    | Max. permissible capacitance between inputs lines (terminals B1 and A2): 2,000 pF<br>Load connectable in parallel with inputs (terminals B1 and A1).<br>H-level: 20.4 to 253 VAC/20.4 to 52.8 VDC<br>L-level: 0 to 2.4 VAC/DC |
| Control output                   | Contact output: 5 A at 250 VAC with resistive load ( $\cos\phi = 1$ )<br>5 A at 30 VDC with resistive load ( $\cos\phi = 1$ )   |
| Ambient temperature              | Operating: -10°C to 55°C (with no icing)<br>Storage: -25°C to 65°C (with no icing)  |
| Ambient humidity                 | Operating: 35% to 85%   |

**Note:** DC ripple rate: 20% max.

## ■ Characteristics

|                                   |   |
|-----------------------------------|---|
| <b>Accuracy of operating time</b> | ±1% max. of FS (±1% ±10 ms max. at 1.2-s range)   |
| <b>Setting error</b>              | ±10% ± 50 ms max. of FS   |
| <b>Influence of voltage</b>       | ±0.5% max. of FS (±0.5% ±10 ms max. at 1.2-s range)   |
| <b>Influence of temperature</b>   | ±5% max. of FS (±5% ± 10 ms max. at 1.2-s range)  |
| <b>Insulation resistance</b>      | 100 MΩ min. at 500 VDC  |
| <b>Dielectric strength</b>        | Between current-carrying metal parts and exposed non-current-carrying metal parts: 2,000 VAC (50/60 Hz) for 1 min.<br>Between control output terminals and operating circuit: 2,000 VAC (50/60 Hz) for 1 min.<br>Between contacts not located next to each other: 1,000 VAC (50/60 Hz) for 1 min.   |
| <b>Impulse withstand voltage</b>  | 3 kV (between power supply terminals)<br>4.5 kV (between current-carrying metal parts and exposed non-current-carrying metal parts)   |
| <b>Noise immunity</b>             | Square-wave noise generated by noise simulator (pulse width: 100 ns/1 μs, 1-ns rise) ±1.5 kV  |
| <b>Static immunity</b>            | Malfunction: 4 kV<br>Destruction: 8 kV  |
| <b>Vibration resistance</b>       | Malfunction: 0.5-mm single amplitude at 10 to 55 Hz<br>Destruction: 0.75-mm single amplitude at 10 to 55 Hz   |
| <b>Shock resistance</b>           | Malfunction: 200 m/s <sup>2</sup> , 3 times each in 6 directions<br>Destruction: 300 m/s <sup>2</sup> , 3 times each in 6 directions  |
| <b>Life expectancy</b>            | Mechanical: 10 million operations min. (under no load at 1,800 operations/h)<br>Electrical: 100,000 operations min. (5 A at 250 VAC, resistive load at 360 operations/h) (see note)   |
| <b>EMC</b>                        | (EMI) EN61812-1<br>Emission Enclosure: EN55011 Group 1 class B<br>Emission AC Mains: EN55011 Group 1 class B<br>Harmonic Current: EN61000-3-2<br>Voltage Fluctuation and Flickering: EN61000-3-3<br>(EMS) EN61812-1<br>Immunity ESD: EN61000-4-2: 6 kV contact discharge (level 3)<br>8 kV air discharge (level 3)<br>Immunity RF-interference from AM Radio Waves: EN61000-4-3: 10 V/m (80 MHz to 1 GHz) (level 3)<br>Immunity Burst: EN61000-4-4: 2 kV power port and output port (level 3)<br>1 kV control port with capacitive clamp (level 3)<br>Immunity Surge: EN61000-4-5: 2 kV common mode (level 3)<br>1 kV differential mode (level 3) |
| <b>Case color</b>                 | Light gray (5Y7/1)  |
| <b>Degree of protection</b>       | IP30 (IP20 for terminal block)  |
| <b>Weight</b>                     | Approx. 70 g  |

**Note:** For reference:

A maximum current of 0.15 A can be switched at 125 VDC (cosφ=1).

A maximum current of 0.1 A can be switched if L/R is 7 ms.

In both cases, a life of 100,000 operations can be expected.

The minimum applicable load is 10 mA at 5 VDC (failure level: P).

# Connections

## ■ Block Diagram



## ■ I/O Function

|                |  |  |
|----------------|--|--|
| <b>Inputs</b>  | Flicker-ON start operation begins when inputs are turned ON. |  |
| <b>Outputs</b> | <b>Control output</b>  | Outputs are turned ON/OFF according to the time set by the ON-and OFF-time setting dial. |

## ■ Terminal Arrangement



- Note:** 1. If voltage is applied to terminal B1, or if terminals A1 and B1 are shorted, the operating mode is switched to flicker-ON start mode. If these terminals are disconnected, the mode switches to flicker-OFF start mode.  
 2. DC supply voltage does not require the designation of polarity.



# Operation

## Basic Operation

### Setting of Selector

The selectors can be turned clockwise and counterclockwise to select the desired time scale, or operating mode.

Each selector has a snap mechanism that secures the selector at a given position. Set the selector at a position at which it is secured. Do not set it midway between two securing positions or a malfunction could result from improper setting.

### Settings for ON/OFF Start

If voltage is applied to terminal B1, or if terminals A1 and B1 are shorted, the operating mode is switched to flicker-ON start mode. If these terminals are disconnected, the mode switches to flicker-OFF start mode. The operating mode will not change if the state of the applied voltage changes during timer operation.

### Selection of Time Scale

The time scale is selected by turning the ON-time scale selector and OFF-time scale selector. The time scales will appear in the following order in each time scale display window on the left of the selector:

0.1 s, 1 h, 0.1 h, 1 m, 1 s, 0.1 h, 0.1 m, 1 s.

**Note:** The time scales "1 s" and "0.1 h" appear twice. Both instances indicate exactly the same time scale.



### Time Setting

Use the ON/OFF-time setting dials to set the ON/OFF time.

### Locking/Unlocking of Selectors and Time Setting Dial

The ON/OFF-time setting dials and time scale selectors can be locked using the Y92S-38 Lock Key, a special pen type tool that is sold separately. To lock the dials or selectors, insert the Lock Key in the keyhole to the lower right of the dial or selector and turn it clockwise until the dial or selector is completely covered with the red cover. To unlock, turn the Lock Key in the opposite direction.



## Timing Charts

| Operating mode                     | Timing chart   |  |
|------------------------------------|--|--|
| Flicker-OFF start<br>(See note 1.) | <p>Power (A<sub>1</sub> and A<sub>2</sub>)</p> <p>Output relay: NO 15 and 18 (ON indicator)</p> <p>Output relay: NC 15 and 16</p> <p>OFF indicator</p>   | <p>ON OFF</p> <p>ON OFF</p> <p>ON OFF</p> <p>ON OFF</p> <p>0.1 s min.</p> <p>t<sub>ON</sub>: ON set time<br/>t<sub>OFF</sub>: OFF set time</p>               |
| Flicker-ON start<br>(See note 1.)  | <p>Power (A<sub>1</sub> and A<sub>2</sub>)</p> <p>Signal (B<sub>1</sub> and A<sub>2</sub>)</p> <p>Output relay: NO 15 and 18 (ON indicator)</p> <p>Output relay: NC 15 and 16</p> <p>OFF indicator</p> | <p>ON OFF</p> <p>ON OFF</p> <p>ON OFF</p> <p>ON OFF</p> <p>ON OFF</p> <p>0.1 s min.</p> <p>t<sub>ON</sub>: ON set time<br/>t<sub>OFF</sub>: OFF set time</p> |

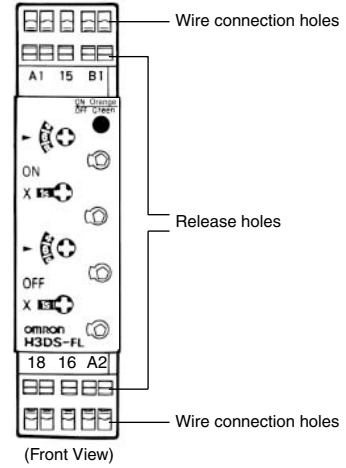
- Note:**
- If voltage is applied to terminal B1, or if terminals A1 and B1 are shorted, the operating mode is switched to flicker-ON start mode. If these terminals are disconnected, the mode switches to flicker-OFF start mode.
  - The reset time requires a minimum of 0.1 s.
  - When power is supplied in flicker-ON start mode, the OFF indicator lights momentarily. This, however, has no effect on the performance of the Timer.

# Nomenclature

## H3DS-FL□



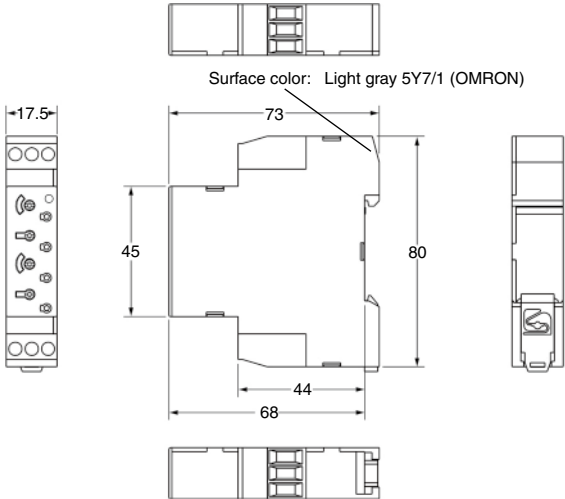
## H3DS-FLC



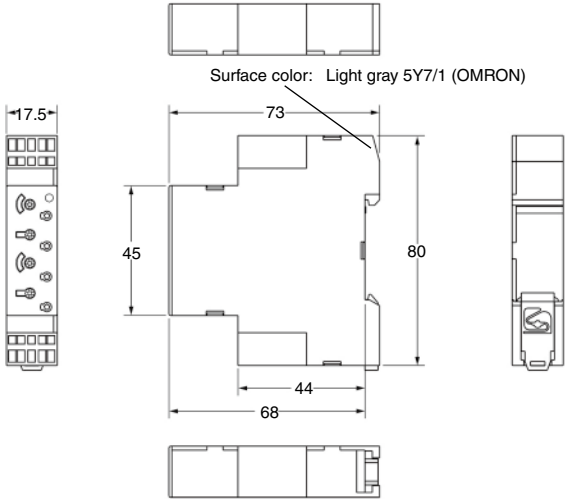
Attach the enclosed label here as a nameplate.  
(The label is attached to the Timer's DIN Track hook section at the time of shipment.)

# Dimensions

H3DS-FL



H3DS-FLC



ALL DIMENSIONS SHOWN ARE IN MILLIMETERS.  
 To convert millimeters into inches, multiply by 0.03937. To convert grams into ounces, multiply by 0.03527.

In the interest of product improvement, specifications are subject to change without notice.

- A wide star-time range (up to 120 seconds) and star-delta transfer time range (up to 1 second)



## Model Number Structure

### Model Number Legend

H3DS -G L □  
1 2 3

1. G: Star-delta timer
2. L: Smart lock mechanism
3. None: Screw terminal type  
C: Screw-Less Clamp type

## Ordering Information

### List of Models

| Operating mode       | Supply voltage                        | Model               |                       |
|----------------------|---------------------------------------|---------------------|-----------------------|
|                      |                                       | Screw terminal type | Screw-Less Clamp type |
| Star-delta operation | 24 to 230 VAC (50/60 Hz)/24 to 48 VDC | H3DS-GL             | H3DS-GLC              |

### Accessories (Order Separately)

|                |                        |           |
|----------------|------------------------|-----------|
| Lock Key       |                        | Y92S-38   |
| Mounting Track | 50 cm (l) x 7.3 mm (t) | PFP-50N   |
|                | 1 m (l) x 7.3 mm (t)   | PFP-100N  |
|                | 1 m (l) x 16 mm (t)    | PFP-100N2 |
| End Plate      |                        | PFP-M     |
| Spacer         |                        | PEP-S     |

# Specifications

## ■ General

| Item                             | H3DS-G   |
|----------------------------------|--|
| Operating mode                   | Star-delta operation   |
| Operating/Reset method           | Time-limit operation/Self-reset  |
| External connections             | Screw terminal, Screw-Less Clamp   |
| Terminal block                   | Screw terminal type: Clamps two 2.5-mm <sup>2</sup> max. bar terminals without sleeves.<br>Screw-Less Clamp type: Clamps two 1.5-mm <sup>2</sup> max. bar terminals without sleeves. |
| Terminal screw tightening torque | 0.98 N·m max.  |
| Output type                      | (Star operation circuit) Relay: SPST-NO<br>(Delta operation circuit) Relay: SPST-NO  |
| Mounting method                  | DIN track mounting (see note)  |
| Attachment                       | Nameplate label  |
| Approved standards               | UL508, CSA C22.2 No.14<br>Conforms to EN61812-1, IEC60664-1 4 kV/2, VDE0106/P100<br>Output category according to IEC60947-5-1 (AC-13; 250 V 5A/AC-15; 250 V 1 A/DC-13; 30 V 0.1 A)   |

**Note:** Can be mounted to 35-mm DIN Track with a plate thickness of 1 to 2.5 mm.

## ■ Time Ranges

| Time scale | Star operation time ranges |
|------------|----------------------------|
| x 1        | 1 to 12 s                  |
| x 10       | 10 to 120 s                |

|                          |  |
|--------------------------|--|
| Star-delta transfer time | Programmable at 0.05 s, 0.1 s, 0.5 s, or 1 s |
|--------------------------|--|

## ■ Ratings

|                                 |  |
|---------------------------------|--|
| Rated supply voltage (see note) | 24 to 230 VAC (50/60 Hz)/24 to 48 VDC  |
| Operating voltage range         | 85% to 110% of rated supply voltage  |
| Power reset                     | Minimum power-off time: 0.5 s  |
| Reset voltage                   | 2.4 VAC/DC max.  |
| Power consumption               | AC: 21 VA max./1.7 W max. (typical: 20 VA/1.6 W) at 230 VAC<br>11 VA max./2.0 W max. (typical: 8.6 VA/1.5 W) at 100 to 120 VAC<br>DC: 1.3 W max. (typical: 1.2 W) at 24 VDC<br>0.7 W max. (typical: 0.6 W) at 48 VDC |
| Control output                  | Contact output: 5 A at 250 VAC with resistive load ( $\cos\phi = 1$ )<br>5 A at 30 VDC with resistive load ( $\cos\phi = 1$ )  |
| Ambient temperature             | Operating: -10°C to 55°C (with no icing)<br>Storage: -25°C to 65°C (with no icing)   |
| Ambient humidity                | Operating: 35% to 85%  |

**Note:** DC ripple rate: 20% max.

## ■ Characteristics

|   |   |
|---|---|
| <b>Accuracy of operating time</b>       | ±1% max. of FS  |
| <b>Setting error</b>                    | ±10% ± 50 ms max. of FS   |
| <b>Total tolerance of transfer time</b> | ± (25% FS + 5 ms) max.  |
| <b>Influence of voltage</b>             | ±0.5% max. of FS  |
| <b>Influence of temperature</b>         | ±5% max. of FS  |
| <b>Insulation resistance</b>            | 100 MΩ min. at 500 VDC  |
| <b>Dielectric strength</b>              | Between current-carrying metal parts and exposed non-current-carrying metal parts: 2,000 VAC (50/60 Hz) for 1 min.<br>Between control output terminals and operating circuit: 2,000 VAC (50/60 Hz) for 1 min.<br>Between contacts not located next to each other: 1,000 VAC (50/60 Hz) for 1 min.   |
| <b>Impulse withstand voltage</b>        | 3 kV (between power supply terminals)<br>4.5 kV (between current-carrying metal parts and exposed non-current-carrying metal parts)   |
| <b>Noise immunity</b>                   | Square-wave noise generated by noise simulator (pulse width: 100 ns/1 μs, 1-ns rise) ±1.5 kV  |
| <b>Static immunity</b>                  | Malfunction: 4 kV<br>Destruction: 8 kV  |
| <b>Vibration resistance</b>             | Malfunction: 0.5-mm single amplitude at 10 to 55 Hz<br>Destruction: 0.75-mm single amplitude at 10 to 55 Hz   |
| <b>Shock resistance</b>                 | Malfunction: 200 m/s <sup>2</sup> , 3 times each in 6 directions<br>Destruction: 300 m/s <sup>2</sup> , 3 times each in 6 directions  |
| <b>Life expectancy</b>                  | Mechanical: 10 million operations min. (under no load at 1,800 operations/h)<br>Electrical: 100,000 operations min. (5 A at 250 VAC, resistive load at 360 operations/h) (see note)   |
| <b>EMC</b>                              | (EMI)<br>Emission Enclosure: EN61812-1<br>Emission AC Mains: EN55011 Group 1 class B<br>Harmonic Current: EN55011 Group 1 class B<br>Voltage Fluctuation and Flickering: EN61000-3-2<br>(EMS)<br>Immunity ESD: EN61000-3-3<br>EN61812-1<br>EN61000-4-2: 6 kV contact discharge (level 3)<br>8 kV air discharge (level 3)<br>Immunity RF-interference from AM Radio Waves: EN61000-4-3: 10 V/m (80 MHz to 1 GHz) (level 3)<br>Immunity Burst: EN61000-4-4: 2 kV power port and output port (level 3)<br>1 kV control port with capacitive clamp (level 3)<br>Immunity Surge: EN61000-4-5: 2 kV common mode (level 3)<br>1 kV differential mode (level 3) |
| <b>Case color</b>                       | Light gray (5Y7/1)  |
| <b>Degree of protection</b>             | IP30 (IP20 for terminal block)  |
| <b>Weight</b>                           | Approx. 70 g  |

**Note:** For reference:

A maximum current of 0.15 A can be switched at 125 VDC (cosφ=1).

A maximum current of 0.1 A can be switched if L/R is 7 ms.

In both cases, a life of 100,000 operations can be expected.

The minimum applicable load is 10 mA at 5 VDC (failure level: P).

# Connections

## ■ Block Diagram



## ■ I/O Functions

|         |                |  |
|---------|----------------|--|
| Inputs  | ---            |  |
| Outputs | Control output | Star output is turned OFF when the dial set value is reached and delta output is ON after the preset transfer time elapses |

## ■ Terminal Arrangement



**Note:** DC supply voltage does not require the designation of polarity.

# Operation

## Basic Operation

### Setting of Selector

The selectors can be turned clockwise and counterclockwise to select the desired time scale, or operating mode.

Each selector has a snap mechanism that secures the selector at a given position. Set the selector at a position at which it is secured. Do not set it midway between two securing positions or a malfunction could result from improper setting.

### Selection of Time Unit and Time Scale

The star-delta transfer time and star operation time scale are set with the same selector. The star-delta transfer time can be set to 0.05, 0.1, 0.5, or 1. The star operation time scale can be set to a multiplication factor of 1 or 10. If the star-delta transfer time is displayed in the display window in white letters, this means that the star operation time scale is "x10". Refer to the example below.

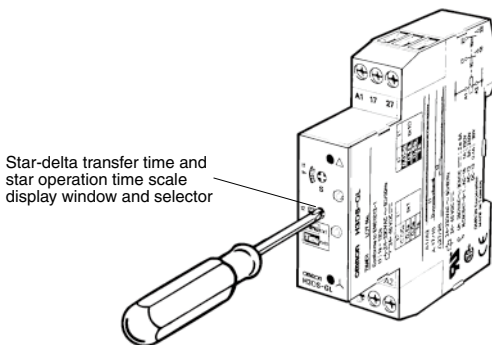
| Star-delta transfer time | Star operation time scale |
|--------------------------|---------------------------|
| 0.05 s                   | x1                        |
| 0.1 s                    |                           |
| 0.5 s                    |                           |
| 1 s                      |                           |
| 0.05 s                   | x10                       |
| 0.1 s                    |                           |
| 0.5 s                    |                           |
| 1 s                      |                           |

### Time Setting

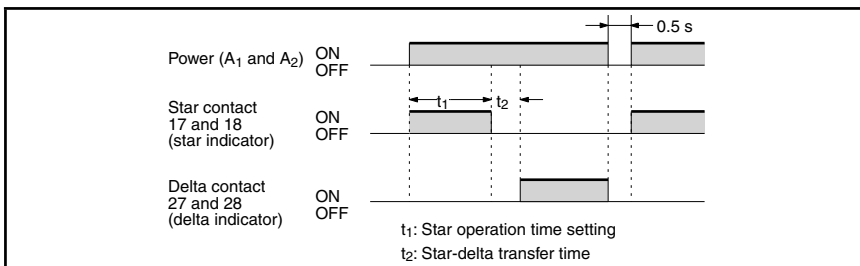
The star operation time of the Timer is set with the time setting dial.

### Locking/Unlocking of Selectors and Time Setting Dial

The time setting dial and time scale selector can be locked using the Y92S-38 Lock Key, a special pen type tool that is sold separately. To lock the dial or selectors, insert the Lock Key in the keyhole to the lower right of the dial or selector and turn it clockwise until the dial or selector is completely covered with the red cover. To unlock, turn the Lock Key in the opposite direction.



## Timing Charts



**Note:** The reset time requires a maximum of 0.5 s.



# Nomenclature

## H3DS-GL□



## H3DS-GLC



Attach the enclosed label here as a nameplate. (The label is attached to the Timer's DIN Track hook section at the time of shipment.)

# Dimensions

## H3DS-GL



## H3DS-GLC



ALL DIMENSIONS SHOWN ARE IN MILLIMETERS.  
 To convert millimeters into inches, multiply by 0.03937. To convert grams into ounces, multiply by 0.03527.

In the interest of product improvement, specifications are subject to change without notice.

# Solid-state Two-wired Timer H3DS-X

- Covers wide range of supply voltage (24 to 230 VAC/VDC).



## Model Number Structure

### Model Number Legend

H3DS -X L □  
1 2 3

1. X: Two-wired timer
2. L: Smart lock mechanism
3. None: Screw terminal type  
C: Screw-Less Clamp type

## Ordering Information

### List of Models

| Supply voltage               | Input type         | Operating mode | Model               |                       |
|------------------------------|--------------------|----------------|---------------------|-----------------------|
|                              |                    |                | Screw terminal type | Screw-Less Clamp type |
| 24 to 230 VAC/VDC (50/60 Hz) | No-input available | ON-delay       | H3DS-XL             | H3DS-XLC              |

### Accessories (Order Separately)

|                |                        |           |
|----------------|------------------------|-----------|
| Lock Key       |                        | Y92S-38   |
| Mounting Track | 50 cm (l) x 7.3 mm (t) | PFP-50N   |
|                | 1 m (l) x 7.3 mm (t)   | PFP-100N  |
|                | 1 m (l) x 16 mm (t)    | PFP-100N2 |
| End Plate      |                        | PFP-M     |
| Spacer         |                        | PEP-S     |

# Specifications

## ■ General

| Item                             | H3DS-X   |
|----------------------------------|--|
| Operating mode                   | ON-delay   |
| Operating/Reset method           | Time-limit operation/self-resetting  |
| Output type                      | SCR output   |
| External connections             | Screw terminal, Screw-Less Clamp   |
| Terminal block                   | Screw terminal type: Clamps two 2.5-mm <sup>2</sup> max. bar terminals without sleeves.<br>Screw-Less Clamp type: Clamps two 1.5-mm <sup>2</sup> max. bar terminals without sleeves. |
| Terminal screw tightening torque | 0.98 N·m max.  |
| Mounting method                  | DIN track mounting (see note)  |
| Attachment                       | Nameplate label  |
| Approved standards               | UL508, CSA C22.2 No.14<br>Conforms to EN61812-1, IEC60664-1 4 kV/2, VDE0106/P100   |

**Note:** Can be mounted to 35-mm DIN Track with a plate thickness of 1 to 2.5 mm.

## ■ Time Ranges

| Time scale display | Time range     |
|--------------------|----------------|
| 0.1 s              | 0.1 to 1.2 s   |
| 1 s                | 1 to 12 s      |
| 0.1 m              | 0.1 to 1.2 min |
| 1 m                | 1 to 12 min    |
| 0.1 h              | 0.1 to 1.2 h   |
| 1 h                | 1 to 12 h      |
| 10 h               | 10 to 120 h    |

**Note:** When the time setting dial is set to "0" for any time scale, the output will operate instantaneously.

## ■ Ratings

|                                 |  |
|---------------------------------|--|
| Rated supply voltage (see note) | 24 to 230 VAC/VDC (50/60 Hz)   |
| Operating voltage range         | 85% to 110% of rated supply voltage  |
| Power reset                     | Minimum power-off time: 0.1 s  |
| Reset voltage                   | 1.0 VAC/VDC max.   |
| Reset current                   | 5 mA max.  |
| Power consumption               | 5 mA max.  |
| Control output                  | SCR output: 5 mA to 0.7 A  |
| Ambient temperature             | Operating: -10°C to 55°C (with no icing)<br>Storage: -25°C to 65°C (with no icing) |
| Ambient humidity                | Operating: 35% to 85%  |

**Note:** The ripple in DC power supply must be 5% max.

## ■ Characteristics

|                                   |   |
|-----------------------------------|---|
| <b>Accuracy of operating time</b> | ±1% max. of FS (±1% ±10 ms max. at 1.2-s range)   |
| <b>Setting error</b>              | ±10% ± 50 ms max. of FS   |
| <b>Reset time</b>                 | 0.1 s max.  |
| <b>Influence of voltage</b>       | ±0.5% max. of FS (±0.5%±10 ms max. at 1.2-s range)  |
| <b>Influence of temperature</b>   | ±5% max. of FS (±5%±10 ms max. at 1.2-s range)  |
| <b>Insulation resistance</b>      | 100 MΩ min. at 500 VDC  |
| <b>Dielectric strength</b>        | Between current-carrying metal parts and exposed non-current-carrying metal parts: 2,000 VAC for 1 min  |
| <b>Impulse withstand voltage</b>  | 3 kV (between power supply terminals)<br>4.5 kV (between current-carrying metal parts and exposed non-current-carrying metal parts)   |
| <b>Noise immunity</b>             | Square-wave noise generated by noise simulator (pulse width: 100 ns/1 μs, 1-ns rise) ±1.5 kV (between power supply terminals)   |
| <b>Static immunity</b>            | Malfunction: 4 kV<br>Destruction: 8 kV  |
| <b>Vibration resistance</b>       | Malfunction: 0.5-mm single amplitude at 10 to 55 Hz<br>Destruction: 0.75-mm single amplitude at 10 to 55 Hz   |
| <b>Shock resistance</b>           | Malfunction: 200 m/s <sup>2</sup> , 3 times each in 6 directions<br>Destruction: 300 m/s <sup>2</sup> , 3 times each in 6 directions  |
| <b>EMC</b>                        | (EMI)<br>Emission Enclosure: EN61812-1<br>Emission AC Mains: EN55011 Group 1 class B<br>Harmonic Current: EN55011 Group 1 class B<br>Voltage Fluctuation and Flickering: EN61000-3-2<br>(EMS)<br>Immunity ESD: EN61000-3-3<br>EN61812-1<br>EN61000-4-2: 6 kV contact discharge (level 3)<br>8 kV air discharge (level 3)<br>Immunity RF-interference from AM Radio Waves: EN61000-4-3: 10 V/m (80 MHz to 1 GHz) (level 3)<br>Immunity Burst: EN61000-4-4: 2 kV power port and output port (level 3)<br>1 kV control port with capacitive clamp (level 3)<br>Immunity Surge: EN61000-4-5: 2 kV common mode (level 3)<br>1 kV differential mode (level 3) |
| <b>Case color</b>                 | Light gray (5Y7/1)  |
| <b>Degree of protection</b>       | IP30 (IP20 for terminal block)  |
| <b>Weight</b>                     | Approx. 70 g  |

## Connections

### ■ Block Diagram



### ■ I/O Functions

|                |                       |   |
|----------------|-----------------------|---|
| <b>Inputs</b>  | ---                   |   |
| <b>Outputs</b> | <b>Control output</b> | Outputs are turned ON when the preset value is reached. |

# Terminal Arrangement



Note: DC supply voltage does not require the designation of polarity.

# Operation

## Basic Operation

### Setting of Selector

The selectors can be turned clockwise and counterclockwise to select the desired time scale, or operating mode.

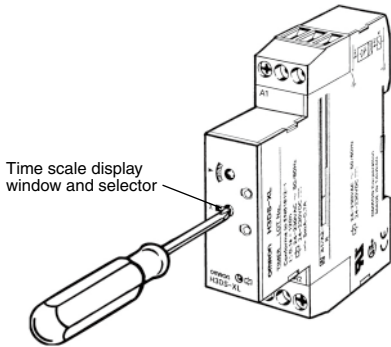
Each selector has a snap mechanism that secures the selector at a given position. Set the selector at a position at which it is secured. Do not set it midway between two securing positions or a malfunction could result from improper setting.

### Selection of Time Scale

The time scale is selected by turning the time scale selector. The time scales will appear in the following order in the time scale display window on the left of the selector:

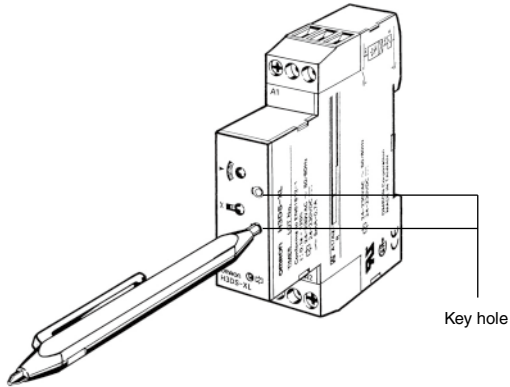
- 1 s, 0.1 s, 1 h, 0.1 h, 10 h, 1 h, 1 m, 0.1 m.

Note: The time scale "1h" appears twice. Both instances indicate exactly the same time scale.

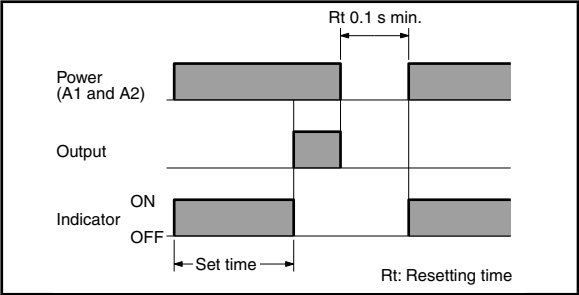


### Locking/Unlocking of Selectors and Time Setting Dial

The time setting dial and time scale selector can be locked using the Y92S-38 Lock Key, a special pen type tool that is sold separately. To lock the dial or selectors, insert the Lock Key in the keyhole to the lower right of the dial or selector and turn it clockwise until the dial or selector is completely covered with the red cover. To unlock, turn the Lock Key in the opposite direction.

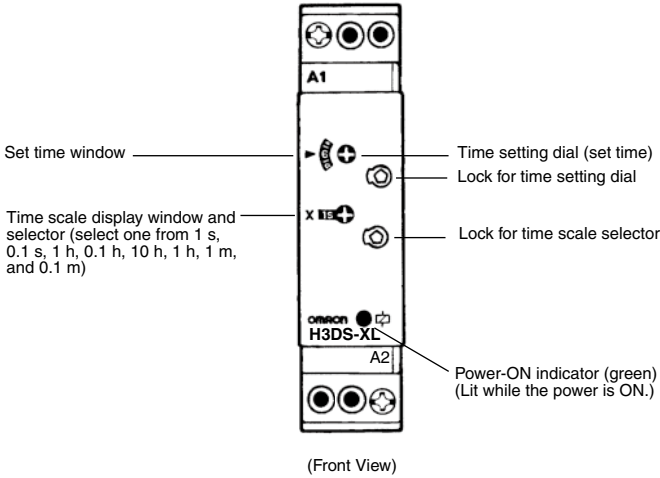


# Timing Charts



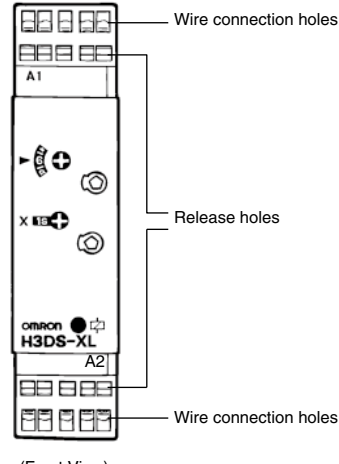
# Nomenclature

## H3DS-XL□

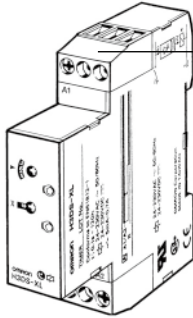


(Front View)

## H3DS-XLC



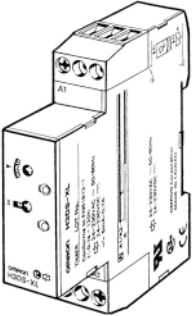
(Front View)



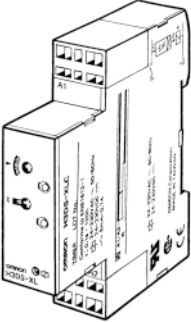
Attach the enclosed label here as a nameplate. (The label is attached to the Timer's DIN Track hook section at the time of shipment.)

# Dimensions

## H3DS-XL



## H3DS-XLC



ALL DIMENSIONS SHOWN ARE IN MILLIMETERS.  
 To convert millimeters into inches, multiply by 0.03937. To convert grams into ounces, multiply by 0.03527.

In the interest of product improvement, specifications are subject to change without notice.



# Installation of Screw-Less Clamp Models

## ■ Tools

A flat-blade screwdriver should be used to mount the cables.

### Applicable Screwdriver

- Flat-blade, Parallel-tip, 2.5 mm diameter



Examples: FACOM AEF.2.5 × 75E  
 VESSEL No. 9900-(-)2.5 × 75  
 WAGO 210-119  
 WIHA 260/2.5 × 40

## ■ Applicable Wires

### Applicable Wire Sizes

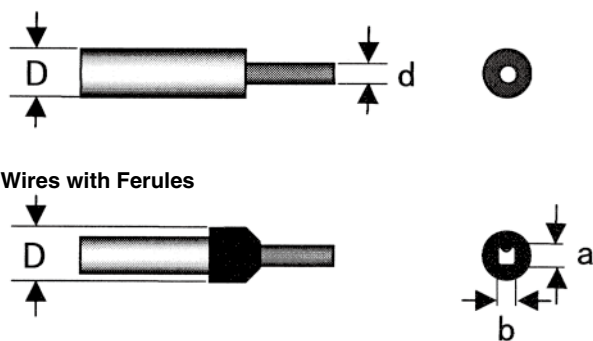
0.2 to 1.5 mm<sup>2</sup>, AWG24 to AWG16

### Applicable Wire Type

Solid wires, stranded wires, flexible wires, or wires with ferules can be used.

(See note 1)  $1.8 \leq \text{Diameter } D \text{ (mm)} \leq 3.0$  (see note 2)

Conductor diameter  $d$  (mm) or length of sides  $a$  and  $b$  (mm)  $\leq 1.6$



**Note: 1.** If the overall diameter of the wire is less than 1.8 mm, do not insert the wire past the conductor. Refer to the following diagrams.



**2.** If the overall diameter of the wire is over 2.8 mm, it will be difficult to use double wiring.

## ■ Wiring

Use wires of the applicable sizes specified above. The length of the exposed conductor should be 6 to 7 mm.



**Fig. 1 Exposed Conductor Length**

Use the following wiring procedure.

1. Insert the specified screwdriver into the release hole located beside the wire connection hole where the wire is to be inserted.



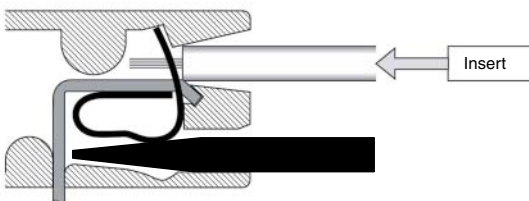
**Fig. 2 Wire Connection Holes and Release Holes**



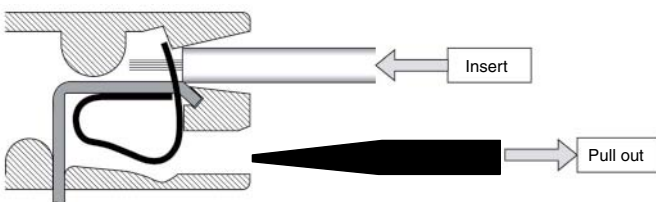
**Fig. 3 Section A-A of Fig. 2**



2. Insert the exposed conductor into the wire connection hole.



3. Pull out the screwdriver.



## ■ Precautions

Always insert the screwdriver straight into the hole, never at an angle. The clamp spring may be deformed if the screwdriver is not straight.



Do not move the screwdriver side to side in the clamp hole. The clamp spring may be deformed if the screwdriver is moved sideways.

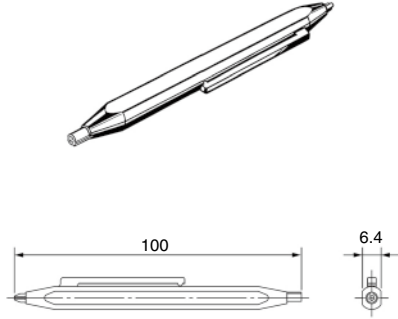


# Accessories (Order Separately)

Note: All units are in millimeters unless otherwise indicated.

## ■ Dimensions

### Lock Key Y92S-38



### Mounting Track PFP-100N, PFP-50N



### PFP-100N2



Note: The values shown in parentheses are for the PFP-50N.

### End Plate PFP-M



### Spacer PFP-S



# Safety Precautions

## Changing of Setting



Do not change the time scale or operating mode, while the Timer is in operation or malfunction could result.

## Power Supplies

The H3DS Series is provided with a transformerless power supply system. An electric shock may be received if the input terminal is touched while power is being supplied.

Use the bar terminal for wiring the H3DS. Using a stranded-wire terminal may cause a short-circuit due to a stray wire entering into the Timer.

Both AC and DC power supplies can be connected to the power input terminals without regarding polarity.

With the H3DS only, a DC power supply must be connected to the power input terminals as designated according to the polarity of the terminals.

A DC power supply can be connected if its ripple factor is 20% or less and the mean voltage is within the rated operating voltage range of the Timer.

Make sure that the voltage is applied within the specified range, otherwise the internal elements of the Timer may be damaged.

Connect the power supply voltage through a relay or switch in such a way that the voltage reaches a fixed value at once or the Timer may not be reset or a timer error could result.

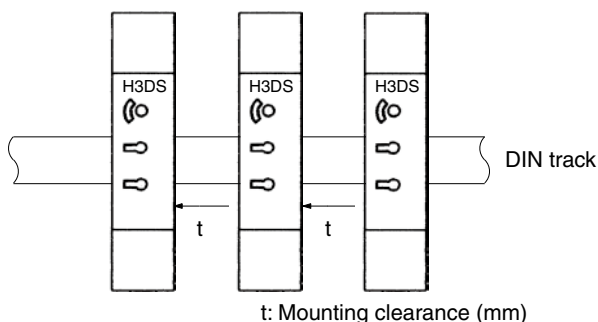
Be sure that the capacity of the power supply is large enough, otherwise the Timer may not start due to inrush current (approx. 3 A) that may flow for an instant when the Timer is turned on.

For the power supply of an input device of the H3DS-ML□, use an isolating transformer, of which the primary and secondary windings are mutually isolated and the secondary winding is not grounded.



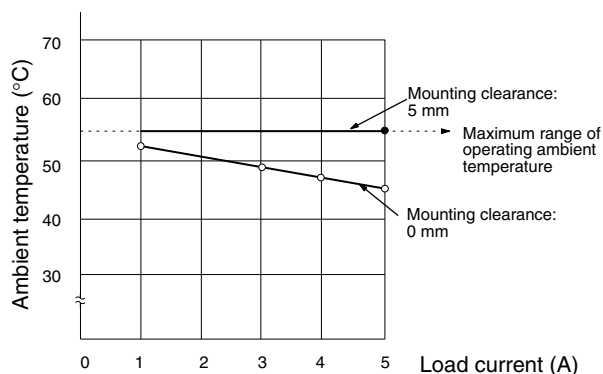
## Installation

If the load current is continuously being supplied to the Timer for a long period of time, be sure to provide the mounting clearance as shown in the figure below. If used under the conditions other than those specified below (except for the H3DS-XL□), the life of internal components may be shortened due to an excessive rise in the internal temperature.

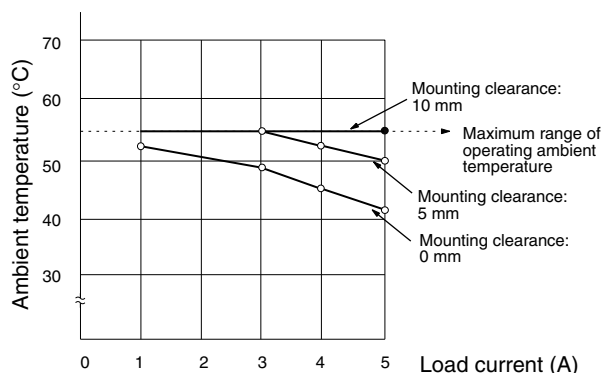


## Switching Current vs. Ambient Temperature (When Mounting Two or More H3DS Units Side-by-Side)

• H3DS-ML□/-SL□/-AL□



• H3DS-FL□/-GL□



## Input/Output

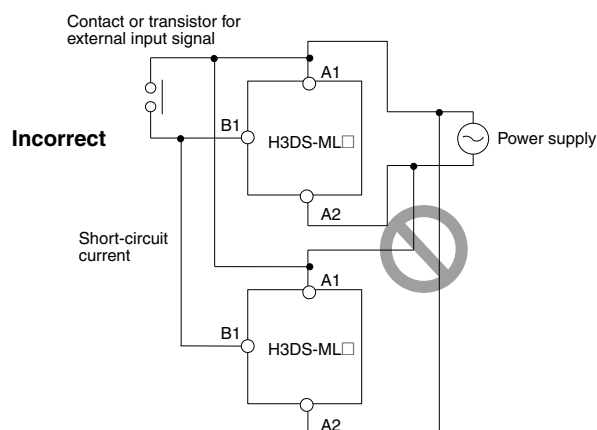
### Relationship between Input and Power Supply Circuits (H3DS-ML□)



Since the input circuit and the power supply circuit are configured independently, the input circuit can be turned on or off irrespective of the on/off state of the power supply. It must be noted that a voltage equivalent to the power supply voltage is applied to the input circuit.

When connecting a relay or a transistor as an external signal input device, pay attention to the following points to prevent short-circuiting due to a sneak current to the transformerless power supply.

If a relay or transistor is connected to two or more Timers, the input terminals of those Timers must be wired properly so that they will not be different in phase or the terminals will be short-circuited to one another (refer to the figures below).



The H3DS Series is provided with a transformerless power supply system.

## Input Wires

The input wires must be as short as possible. If the floating capacity of wires exceeds 2,000 pF (approx. 17 m for cables with 120 pF/m), the operation will be affected. Pay particular attention when using shielded cables.

## Precautions for EN61812-1 Conformance

The H3DS as a built-in timer conforms to EN61812-1 provided that the following conditions are satisfied:

The output section of the H3DS is provided only with basic isolation. To ensure reinforced isolation required by the EN61812-1, provide supplementary basic isolation on the load side connected to the output.

The H3DS itself is designed according to the following:

- Overvoltage category III
- Pollution degree 2

On the above basis:

Operation parts on the front and bottom: Reinforced isolation

– With clearance of 5.5 mm and creepage distance of 5.5 mm at 230 VAC

Output: Basic isolation

– With clearance of 3 mm and creepage distance of 3 mm at 230 VAC

## Environment

When using the Timer in an area with excess electronic noise, separate the Timer, wiring, and the equipment which generates the input signals as far as possible from the noise sources. It is also recommended to shield the input signal wiring to prevent electronic interference.

Organic solvents (such as paint thinner), as well as very acidic or basic solutions can damage the outer casing of the Timer.

Do not use the Timer in places where it is exposed to dust, corrosive gas, or direct sunlight.

When storing the Timer, make sure that the ambient temperature and humidity are within the rated values. Leave the Timer at room temperature for at least three hours before using the Timer if it has been stored at an ambient temperature of  $-10^{\circ}\text{C}$  or below.

Leaving the Timer with outputs ON at a high temperature for a long time may hasten the degradation of internal parts (such as electrolytic capacitors). Therefore, use the product in combination with relays and avoid leaving the product as long as more than 1 month with the output turned ON.

## Others

If the Timer is mounted on a control board, dismantle the Timer from the control board or short-circuit the circuitry of the power board before carrying out a voltage withstand test between the electric circuitry and non current-carrying metal part of the Timer, in order to prevent the internal circuitry of the Timer from damage.

ALL DIMENSIONS SHOWN ARE IN MILLIMETERS.

To convert millimeters into inches, multiply by 0.03937. To convert grams into ounces, multiply by 0.03527.

In the interest of product improvement, specifications are subject to change without notice.

## Read and Understand This Catalog

Please read and understand this catalog before purchasing the products. Please consult your OMRON representative if you have any questions or comments.

## Warranty and Limitations of Liability

### WARRANTY

OMRON's exclusive warranty is that the products are free from defects in materials and workmanship for a period of one year (or other period if specified) from date of sale by OMRON.

OMRON MAKES NO WARRANTY OR REPRESENTATION, EXPRESS OR IMPLIED, REGARDING NON-INFRINGEMENT, MERCHANTABILITY, OR FITNESS FOR PARTICULAR PURPOSE OF THE PRODUCTS. ANY BUYER OR USER ACKNOWLEDGES THAT THE BUYER OR USER ALONE HAS DETERMINED THAT THE PRODUCTS WILL SUITABLY MEET THE REQUIREMENTS OF THEIR INTENDED USE. OMRON DISCLAIMS ALL OTHER WARRANTIES, EXPRESS OR IMPLIED.

### LIMITATIONS OF LIABILITY

OMRON SHALL NOT BE RESPONSIBLE FOR SPECIAL, INDIRECT, OR CONSEQUENTIAL DAMAGES, LOSS OF PROFITS, OR COMMERCIAL LOSS IN ANY WAY CONNECTED WITH THE PRODUCTS, WHETHER SUCH CLAIM IS BASED ON CONTRACT, WARRANTY, NEGLIGENCE, OR STRICT LIABILITY.

In no event shall responsibility of OMRON for any act exceed the individual price of the product on which liability is asserted.

IN NO EVENT SHALL OMRON BE RESPONSIBLE FOR WARRANTY, REPAIR, OR OTHER CLAIMS REGARDING THE PRODUCTS UNLESS OMRON'S ANALYSIS CONFIRMS THAT THE PRODUCTS WERE PROPERLY HANDLED, STORED, INSTALLED, AND MAINTAINED AND NOT SUBJECT TO CONTAMINATION, ABUSE, MISUSE, OR INAPPROPRIATE MODIFICATION OR REPAIR.

## Application Considerations

### SUITABILITY FOR USE

OMRON shall not be responsible for conformity with any standards, codes, or regulations that apply to the combination of products in the customer's application or use of the product.

At the customer's request, OMRON will provide applicable third party certification documents identifying ratings and limitations of use that apply to the products. This information by itself is not sufficient for a complete determination of the suitability of the products in combination with the end product, machine, system, or other application or use.

The following are some examples of applications for which particular attention must be given. This is not intended to be an exhaustive list of all possible uses of the products, nor is it intended to imply that the uses listed may be suitable for the products:

- Outdoor use, uses involving potential chemical contamination or electrical interference, or conditions or uses not described in this catalog.
- Nuclear energy control systems, combustion systems, railroad systems, aviation systems, medical equipment, amusement machines, vehicles, safety equipment, and installations subject to separate industry or government regulations.
- Systems, machines, and equipment that could present a risk to life or property.

Please know and observe all prohibitions of use applicable to the products.

NEVER USE THE PRODUCTS FOR AN APPLICATION INVOLVING SERIOUS RISK TO LIFE OR PROPERTY WITHOUT ENSURING THAT THE SYSTEM AS A WHOLE HAS BEEN DESIGNED TO ADDRESS THE RISKS, AND THAT THE OMRON PRODUCT IS PROPERLY RATED AND INSTALLED FOR THE INTENDED USE WITHIN THE OVERALL EQUIPMENT OR SYSTEM.

## Disclaimers

### CHANGE IN SPECIFICATIONS

Product specifications and accessories may be changed at any time based on improvements and other reasons.

It is our practice to change model numbers when published ratings or features are changed, or when significant construction changes are made. However, some specifications of the product may be changed without any notice. When in doubt, special model numbers may be assigned to fix or establish key specifications for your application on your request. Please consult with your OMRON representative at any time to confirm actual specifications of purchased product.

### DIMENSIONS AND WEIGHTS

Dimensions and weights are nominal and are not to be used for manufacturing purposes, even when tolerances are shown.

### ERRORS AND OMISSIONS

The information in this catalog has been carefully checked and is believed to be accurate; however, no responsibility is assumed for clerical, typographical, or proofreading errors, or omissions.

### PERFORMANCE DATA

Performance data given in this catalog is provided as a guide for the user in determining suitability and does not constitute a warranty. It may represent the result of OMRON's test conditions, and the users must correlate it to actual application requirements. Actual performance is subject to the OMRON Warranty and Limitations of Liability.

### PROGRAMMABLE PRODUCTS

OMRON shall not be responsible for the user's programming of a programmable product, or any consequence thereof.

### COPYRIGHT AND COPY PERMISSION

This catalog shall not be copied for sales or promotions without permission.

This catalog is protected by copyright and is intended solely for use in conjunction with the product. Please notify us before copying or reproducing this catalog in any manner, for any other purpose. If copying or transmitting this catalog to another, please copy or transmit it in its entirety.

Компания «Океан Электроники» предлагает заключение долгосрочных отношений при поставках импортных электронных компонентов на взаимовыгодных условиях!

Наши преимущества:

- Поставка оригинальных импортных электронных компонентов напрямую с производств Америки, Европы и Азии, а так же с крупнейших складов мира;
- Широкая линейка поставок активных и пассивных импортных электронных компонентов (более 30 млн. наименований);
- Поставка сложных, дефицитных, либо снятых с производства позиций;
- Оперативные сроки поставки под заказ (от 5 рабочих дней);
- Экспресс доставка в любую точку России;
- Помощь Конструкторского Отдела и консультации квалифицированных инженеров;
- Техническая поддержка проекта, помощь в подборе аналогов, поставка прототипов;
- Поставка электронных компонентов под контролем ВП;
- Система менеджмента качества сертифицирована по Международному стандарту ISO 9001;
- При необходимости вся продукция военного и аэрокосмического назначения проходит испытания и сертификацию в лаборатории (по согласованию с заказчиком);
- Поставка специализированных компонентов военного и аэрокосмического уровня качества (Xilinx, Altera, Analog Devices, Intersil, Interpoint, Microsemi, Actel, Aeroflex, Peregrine, VPT, Syfer, Eurofarad, Texas Instruments, MS Kennedy, Miteq, Cobham, E2V, MA-COM, Hittite, Mini-Circuits, General Dynamics и др.);

Компания «Океан Электроники» является официальным дистрибьютором и эксклюзивным представителем в России одного из крупнейших производителей разъемов военного и аэрокосмического назначения «JONHON», а так же официальным дистрибьютором и эксклюзивным представителем в России производителя высокотехнологичных и надежных решений для передачи СВЧ сигналов «FORSTAR».



## JONHON

«JONHON» (основан в 1970 г.)

Разъемы специального, военного и аэрокосмического назначения:

(Применяются в военной, авиационной, аэрокосмической, морской, железнодорожной, горно- и нефтедобывающей отраслях промышленности)

«FORSTAR» (основан в 1998 г.)

ВЧ соединители, коаксиальные кабели, кабельные сборки и микроволновые компоненты:

(Применяются в телекоммуникациях гражданского и специального назначения, в средствах связи, РЛС, а так же военной, авиационной и аэрокосмической отраслях промышленности).



Телефон: 8 (812) 309-75-97 (многоканальный)

Факс: 8 (812) 320-03-32

Электронная почта: [ocean@oceanchips.ru](mailto:ocean@oceanchips.ru)

Web: <http://oceanchips.ru/>

Адрес: 198099, г. Санкт-Петербург, ул. Калинина, д. 2, корп. 4, лит. А