



# Dual-Voltage $\mu$ P Supervisory Circuits with Sequenced Reset Outputs

MAX6391/MAX6392

## General Description

The MAX6391/MAX6392 microprocessor ( $\mu$ P) supervisory circuits provide sequenced logic reset outputs for multi-component or dual-voltage systems. Each device can monitor two supply voltages and time-sequence two reset outputs to control the order in which system components are turned on and off. The MAX6391/MAX6392 increase system reliability and reduce circuit complexity and cost compared to separate ICs or discrete components.

The MAX6391/MAX6392 monitor  $V_{CC}$  as the master reset supply. Both  $\overline{\text{RESET1}}$  and  $\overline{\text{RESET2}}$  are asserted whenever  $V_{CC}$  drops below the selected factory-fixed reset threshold voltage.  $\overline{\text{RESET1}}$  remains asserted as long as  $V_{CC}$  is below the threshold and deasserts 140ms (min) after  $V_{CC}$  exceeds the thresholds.

$\overline{\text{RESET IN2}}$  is monitored as the secondary reset supply and is adjustable with an external resistive-divider network.  $\overline{\text{RESET2}}$  is asserted whenever either  $V_{CC}$  or  $\overline{\text{RESET IN2}}$  is below the selected thresholds.  $\overline{\text{RESET2}}$  remains asserted 140ms (min) or a capacitor-adjustable time period after  $V_{CC}$  and  $\overline{\text{RESET IN2}}$  exceed their thresholds.  $\overline{\text{RESET2}}$  is always deasserted after  $\overline{\text{RESET1}}$  during system power-up and is always asserted before  $\overline{\text{RESET1}}$  during power-down.

The MAX6391 includes two internal pullup resistors for  $\overline{\text{RESET1}}$  and  $\overline{\text{RESET2}}$  (the open-drain outputs can be externally connected to the desired pullup voltages). The MAX6392 includes an active-low manual reset input (MR) that asserts both  $\overline{\text{RESET1}}$  (push-pull) and  $\overline{\text{RESET2}}$  (open drain).

The MAX6391/MAX6392 are available in small 8-pin SOT23 packages and are specified over the  $-40^{\circ}\text{C}$  to  $+85^{\circ}\text{C}$  extended temperature range.

## Applications

Computers  
 Controllers  
 Critical  $\mu$ P Power Monitoring  
 Set-Top Boxes  
 Printers  
 Servers/Workstations  
 Industrial Equipment  
 Multivoltage Monitoring

Typical Operating Circuit appears at end of data sheet.

## Features

- ◆ Preset  $V_{CC}$  Reset Threshold Voltages from 1.58V to 4.63V (master supply)
- ◆ Customer-Adjustable  $\overline{\text{RESET IN2}}$  to Monitor Voltages Down to 625mV (secondary supply)
- ◆ Fixed (140ms min)  $\overline{\text{RESET1}}$  Timeout
- ◆ Fixed (140ms min) or Customer-Adjustable  $\overline{\text{RESET2}}$  Timeout Period
- ◆ Guaranteed Reset Valid to  $V_{CC} = 1\text{V}$
- ◆ Active-Low Open-Drain Outputs or Push-Pull/Open-Drain Combination
- ◆ Internal Open-Drain Pullup Resistors (for external  $V_{OH}$  voltage connections)
- ◆ Manual Reset Input (MAX6392 only)
- ◆ Immune to Short Negative  $V_{CC}$  Transients
- ◆ 15 $\mu$ A Typical Supply Current
- ◆ Few External Components
- ◆ Small 8-Pin SOT23 Package

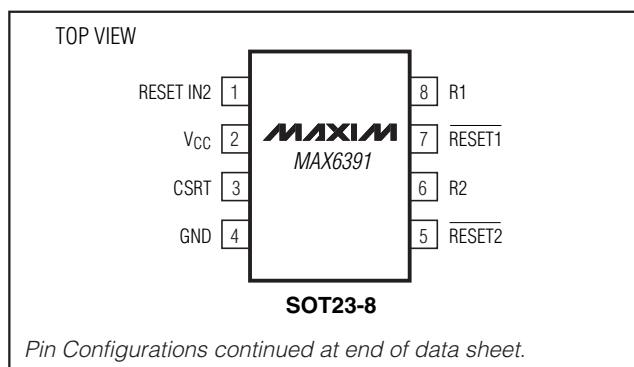
## Ordering Information

PART*	TEMP RANGE	PIN-PACKAGE
MAX6391KA__-T	$-40^{\circ}\text{C}$ to $+85^{\circ}\text{C}$	SOT23-8
MAX6392KA__-T	$-40^{\circ}\text{C}$ to $+85^{\circ}\text{C}$	SOT23-8

\*Insert the desired suffix (see Selector Guide) into the blanks to complete the part number. The MAX6391/MAX6392 require a 2.5k minimum order increment and are available in tape-and-reel only. Samples are typically available for standard versions (see Selector Guide for standard versions). Contact factory for availability.

Devices are available in both leaded and lead-free packaging. Specify lead-free by replacing "-T" with "+T" when ordering.

## Pin Configurations



# Dual-Voltage $\mu$ P Supervisory Circuits with Sequenced Reset Outputs

## ABSOLUTE MAXIMUM RATINGS

$V_{CC}$  to GND .....-0.3V to +6.0V  
 $\overline{\text{RESET1}}$  (MAX6392), RESET IN2, CSRT,  
 $\overline{\text{MR}}$  to GND .....-0.3V to ( $V_{CC} + 0.3$ V)  
 $\overline{\text{RESET1}}$  (MAX6391),  $\overline{\text{RESET2}}$ , R1, R2 to GND.....-0.3V to +6.0V  
 Input Current ( $V_{CC}$ , GND, CSRT, R1, R2,  $\overline{\text{MR}}$ ) ..... $\pm 20$ mA  
 Output Current ( $\overline{\text{RESET1}}$ ,  $\overline{\text{RESET2}}$ ) ..... $\pm 20$ mA  
 Continuous Power Dissipation ( $T_A = +70^\circ\text{C}$ )  
 8-Pin SOT23 (derate 5.26mW/ $^\circ\text{C}$  above  $+70^\circ\text{C}$ ).....421mW

Operating Temperature Range .....-40 $^\circ\text{C}$  to +85 $^\circ\text{C}$   
 Junction Temperature .....+150 $^\circ\text{C}$   
 Storage Temperature Range .....-65 $^\circ\text{C}$  to +150 $^\circ\text{C}$   
 Lead Temperature (soldering, 10s) .....+300 $^\circ\text{C}$

Stresses beyond those listed under "Absolute Maximum Ratings" may cause permanent damage to the device. These are stress ratings only, and functional operation of the device at these or any other conditions beyond those indicated in the operational sections of the specifications is not implied. Exposure to absolute maximum rating conditions for extended periods may affect device reliability.

## ELECTRICAL CHARACTERISTICS

( $V_{CC} = 1.2\text{V}$  to  $5.5\text{V}$ ,  $T_A = T_{MIN}$  to  $T_{MAX}$ , unless otherwise specified. Typical values are at  $V_{CC} = +5\text{V}$  and  $T_A = +25^\circ\text{C}$ .) (Note 1)

PARAMETER	SYMBOL	CONDITIONS	MIN	TYP	MAX	UNITS
$V_{CC}$ Range		$T_A = 0^\circ\text{C}$ to $+85^\circ\text{C}$	1.0		5.5	V
		$T_A = -40^\circ\text{C}$ to $+85^\circ\text{C}$	1.2		5.5	
Supply Current	$I_{CC}$	No load		15	25	$\mu\text{A}$
$V_{CC}$ Reset Threshold	$V_{TH1}$	MAX639_UA46	4.50	4.63	4.75	V
		MAX639_UA44	4.25	4.38	4.50	
		MAX639_UA31	3.00	3.08	3.15	
		MAX639_UA29	2.85	2.93	3.00	
		MAX639_UA26	2.55	2.63	2.70	
		MAX639_UA23	2.25	2.32	2.38	
		MAX639_UA22	2.12	2.19	2.25	
		MAX639_UA17	1.62	1.67	1.71	
MAX639_UA16	1.54	1.58	1.61			
RESET IN2 Threshold	$V_{TH2}$	$V_{CC} = 5\text{V}$	610	625	640	mV
RESET IN2 Input Current					50	nA
$V_{CC}$ to $\overline{\text{RESET1}}$ Delay	$t_{RD1}$	$V_{CC}$ falling at $1\text{mV}/\mu\text{s}$ (Note 2)		20		$\mu\text{s}$
$V_{CC}$ or RESET IN2 to $\overline{\text{RESET2}}$ Delay	$t_{RD2}$			10		

# Dual-Voltage $\mu$ P Supervisory Circuits with Sequenced Reset Outputs

MAX6391/MAX6392

## ELECTRICAL CHARACTERISTICS (continued)

( $V_{CC} = 1.2V$  to  $5.5V$ ,  $T_A = T_{MIN}$  to  $T_{MAX}$ , unless otherwise specified. Typical values are at  $V_{CC} = +5V$  and  $T_A = +25^\circ C$ .) (Note 1)

PARAMETER	SYMBOL	CONDITIONS	MIN	TYP	MAX	UNITS	
$\overline{RESET1}$ Timeout Period	$t_{RP1}$		140	200	280	ms	
$\overline{RESET2}$ Timeout Period (Note 3)	$t_{RP2}$	$C_{CSRT} = 1500pF$	2.2	3.1	4.0	ms	
		$C_{CSRT} = V_{CC}$	140	200	280		
$\overline{RESET\_}$ Output Voltage Low	$V_{OL}$	$I_{SINK} = 50\mu A$ , reset asserted	$V_{CC} \geq 1.0V$ , $T_A = 0^\circ C$ to $+85^\circ C$		0.3	V	
			$V_{CC} \geq 1.2V$ , $T_A = -40^\circ C$ to $+85^\circ C$		0.3		
		$I_{SINK} = 1.2mA$ , reset asserted, $V_{CC} \geq 2.5V$		0.3			
		$I_{SINK} = 3.2mA$ , reset asserted, $V_{CC} \geq 4.25V$		0.4			
Open-Drain $\overline{RESET}$ Output Leakage Current	$I_{LKG}$	$V_{CC} \geq V_{TH1}$ , $V_{RESET IN2} \geq V_{TH2}$ , reset not asserted			1.0	$\mu A$	
Push-Pull $\overline{RESET1}$ Output Voltage High (MAX6392 only)	$V_{OH}$	$V_{CC} \geq 2.25V$ , $I_{SOURCE} = 500\mu A$ , reset not asserted			0.8 x $V_{CC}$	V	
		$V_{CC} \geq 4.5V$ , $I_{SOURCE} = 800\mu A$ , reset not asserted					
$\overline{MR}$ Input	$V_{IL}$	$V_{CC} > 4.0V$			0.8	V	
	$V_{IH}$		2.4				
	$V_{IL}$	$V_{CC} < 4.0V$			0.3 x $V_{CC}$		
	$V_{IH}$		0.7 x $V_{CC}$				
$\overline{MR}$ Minimum Pulse Width			50			$\mu s$	
$\overline{MR}$ Glitch Rejection			100				ns
$\overline{MR}$ to $\overline{RESET1}$ Delay	$t_{MR1}$		10				$\mu s$
$\overline{MR}$ to $\overline{RESET2}$ Delay	$t_{MR2}$		100				ns
$t_{MR}$ Skew		$t_{MR1} - t_{MR2}$	10				$\mu s$
$\overline{MR}$ Pullup Resistance		Pullup to $V_{CC}$	35	47	60	$k\Omega$	
Reset Pullup Resistance		$\overline{RESET1}$ to R1 or $\overline{RESET2}$ to R2	35	47	60	$k\Omega$	

**Note 1:** Overtemperature limits are guaranteed by design and not production tested. Devices tested at  $+25^\circ C$  only.

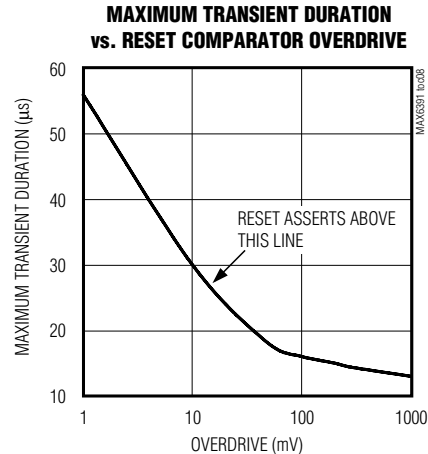
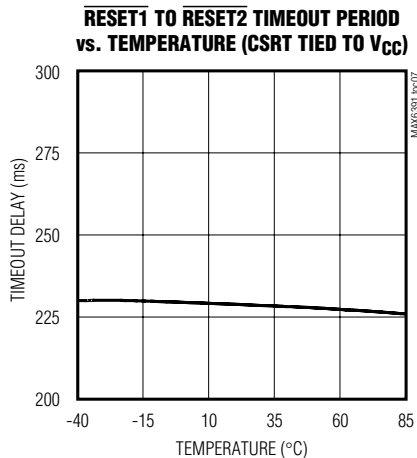
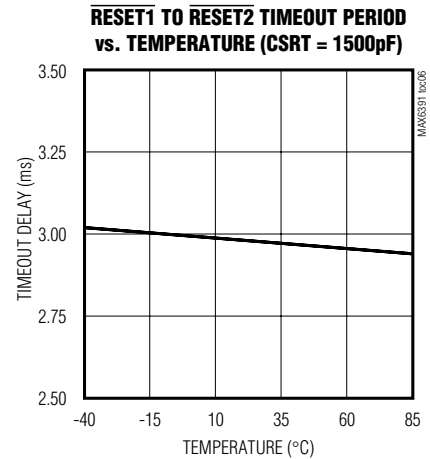
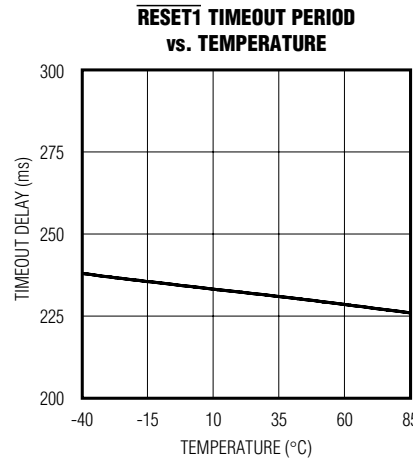
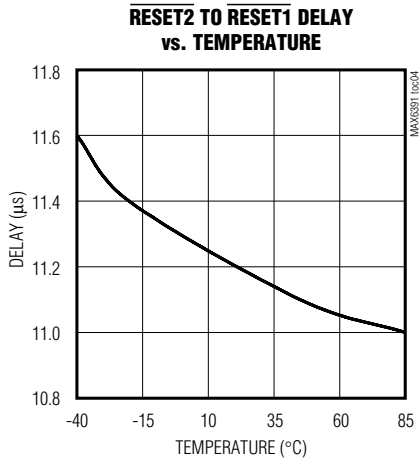
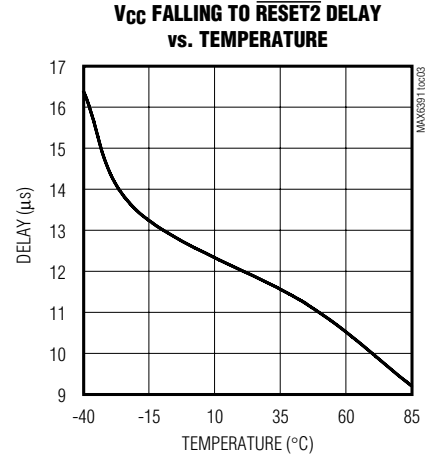
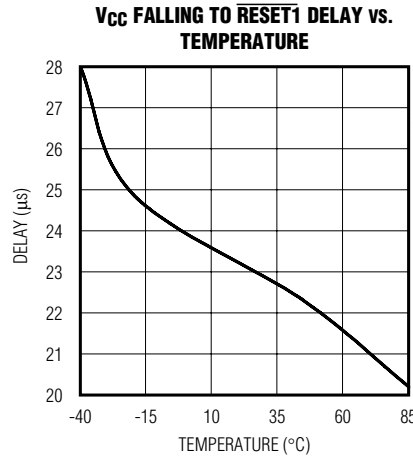
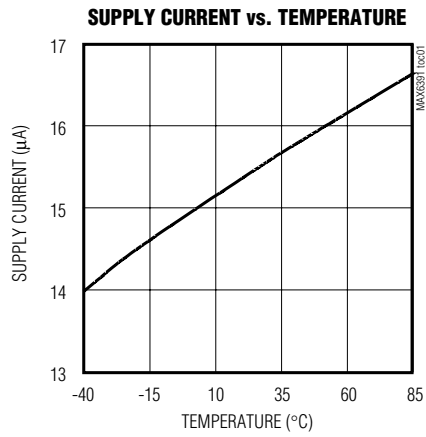
**Note 2:**  $\overline{RESET2}$  asserts before  $\overline{RESET1}$  when  $V_{CC}$  goes below the threshold for all supply voltage and temperature ranges.

**Note 3:** CSRT must be connected to either  $V_{CC}$  (for fixed  $\overline{RESET2}$  timeout period) or an external capacitor (for user-adjustable  $\overline{RESET2}$  timeout period).

# Dual-Voltage $\mu$ P Supervisory Circuits with Sequenced Reset Outputs

## Typical Operating Characteristics

( $V_{CC} = +5V$ ,  $T_A = +25^\circ C$ , unless otherwise noted.)



# Dual-Voltage $\mu$ P Supervisory Circuits with Sequenced Reset Outputs

## Pin Description

MAX6391/MAX6392

PIN		NAME	FUNCTION
MAX6391	MAX6392		
1	1	RESET IN2	Input Voltage for $\overline{\text{RESET2}}$ Monitor. High-impedance input for internal reset comparator. Connect this pin to an external resistive-divider network to set the reset threshold voltage.
2	2	V <sub>CC</sub>	Supply Voltage and Input Voltage for Primary Supply Monitor
3	3	CSRT	$\overline{\text{RESET2}}$ Delay Set Capacitor. Connect to V <sub>CC</sub> for a fixed 140ms (min) timeout period or to an external capacitor for a user-adjustable timeout period after V <sub>CC</sub> exceeds its minimum threshold.
4	4	GND	Ground
5	5	$\overline{\text{RESET2}}$	Secondary Reset Output, Open-Drain, Active-Low. $\overline{\text{RESET2}}$ changes from high to low when either V <sub>CC</sub> or RESET IN2 drop below their thresholds. $\overline{\text{RESET2}}$ remains low for a user-adjustable timeout period (see CSRT) or a fixed 140ms (min) after V <sub>CC</sub> and RESET IN2 meet their minimum thresholds.
6	6	R2	47k $\Omega$ Internal Pullup Resistor for $\overline{\text{RESET2}}$ . Connect to external voltage for $\overline{\text{RESET2}}$ high pullup.
7	7	$\overline{\text{RESET1}}$	Primary Reset Output, Open-Drain (MAX6391) or Push-Pull (MAX6392), Active-Low. $\overline{\text{RESET1}}$ changes from HIGH to LOW when the V <sub>CC</sub> input drops below the selected reset threshold. $\overline{\text{RESET1}}$ remains LOW for the reset timeout period after V <sub>CC</sub> exceeds the minimum threshold.
8	—	R1	47k $\Omega$ Internal Pullup Resistor for $\overline{\text{RESET1}}$ . Connect to external voltage for $\overline{\text{RESET1}}$ high pullup.
—	8	$\overline{\text{MR}}$	Manual Reset, Active-Low, Internal 47k $\Omega$ Pullup to V <sub>CC</sub> . Pull LOW to force a reset. $\overline{\text{RESET1}}$ and $\overline{\text{RESET2}}$ remain asserted as long as $\overline{\text{MR}}$ is LOW and for the $\overline{\text{RESET1}}$ and $\overline{\text{RESET2}}$ timeout periods after $\overline{\text{MR}}$ goes HIGH. Leave unconnected or connect to V <sub>CC</sub> if unused.

### Detailed Description

Each device includes a pair of voltage monitors with sequenced reset outputs. The first block monitors V<sub>CC</sub> only ( $\overline{\text{RESET1}}$  output is independent of the RESET IN2 monitor). It asserts a reset signal (LOW) whenever V<sub>CC</sub> is below the preset voltage threshold.  $\overline{\text{RESET1}}$  remains asserted for at least 140ms after V<sub>CC</sub> rises above the reset threshold.  $\overline{\text{RESET1}}$  timing is internally set in each device. V<sub>CC</sub> voltage thresholds are available from 1.57V to 4.63V. In all cases V<sub>CC</sub> acts as the master supply (all resets are asserted when V<sub>CC</sub> goes below its selected threshold). The V<sub>CC</sub> input also acts as the device power supply.

The second block monitors both RESET IN2 and V<sub>CC</sub>. It asserts a reset signal (LOW) whenever RESET IN2 is below the 625mV threshold or V<sub>CC</sub> is below its reset threshold.  $\overline{\text{RESET2}}$  remains asserted for a fixed 140ms

(min) or a user-adjustable time period after RESET IN2 rises above the 625mV reset threshold and  $\overline{\text{RESET1}}$  is deasserted. Resets are guaranteed valid for V<sub>CC</sub> down to 1V.

The timing diagram in Figure 2 shows the reset timing characteristics of the MAX6391/MAX6392. As shown in Figure 2,  $\overline{\text{RESET1}}$  deasserts 140ms (min) ( $t_{RP1}$ ) after V<sub>CC</sub> exceeds the reset threshold.  $\overline{\text{RESET2}}$  deasserts  $t_{RP2}$  (140ms minimum or a user-adjustable timeout period) after RESET IN2 exceeds 625mV and  $\overline{\text{RESET1}}$  is deasserted. When RESET IN2 drops below 625mV while V<sub>CC</sub> is above the reset threshold,  $\overline{\text{RESET2}}$  asserts within 10 $\mu$ s typ.  $\overline{\text{RESET1}}$  is unaffected when this happens. When V<sub>CC</sub> falls below V<sub>TH1</sub>,  $\overline{\text{RESET2}}$  always asserts before  $\overline{\text{RESET1}}$  ( $t_{RD2} < t_{RD1}$ ).

# Dual-Voltage $\mu$ P Supervisory Circuits with Sequenced Reset Outputs

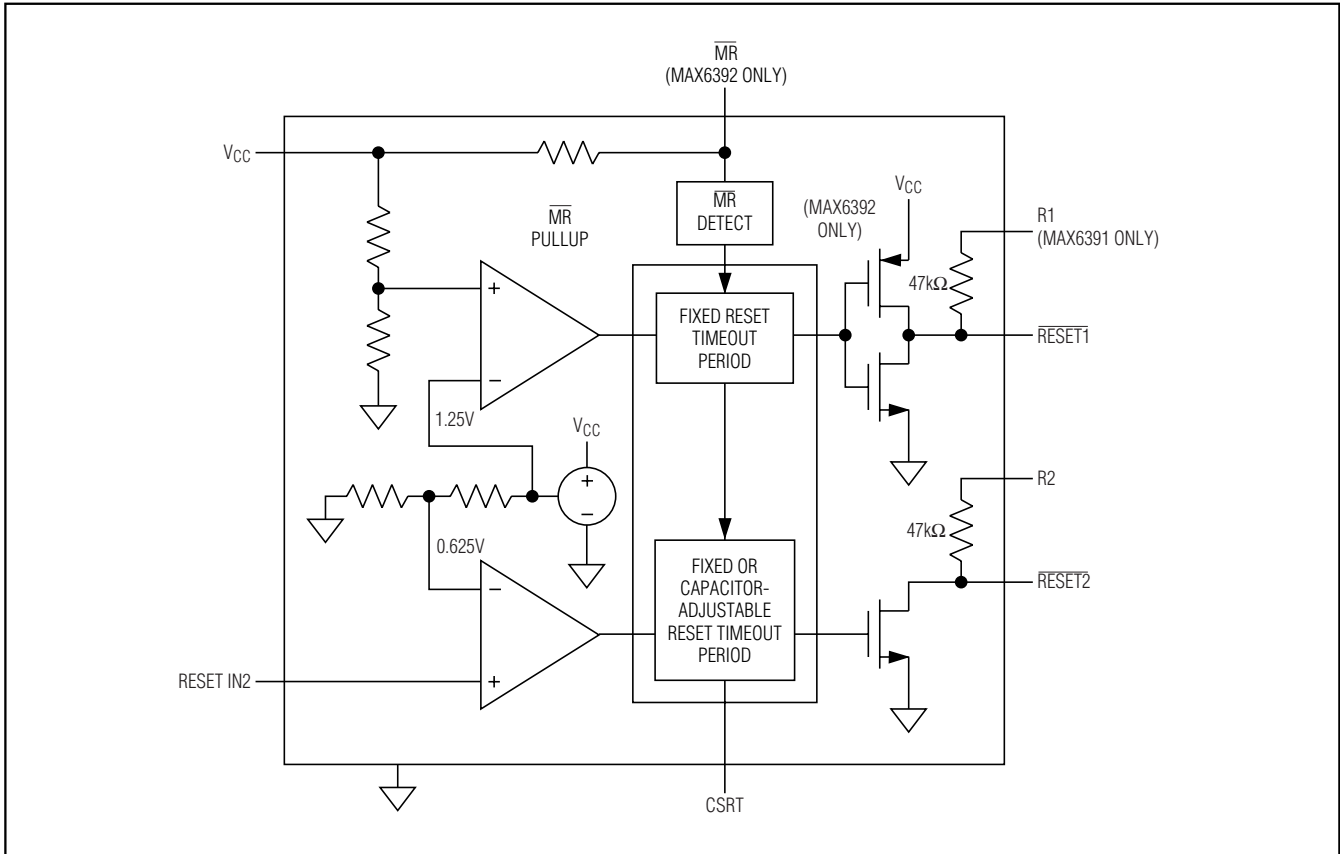


Figure 1. Functional Diagram

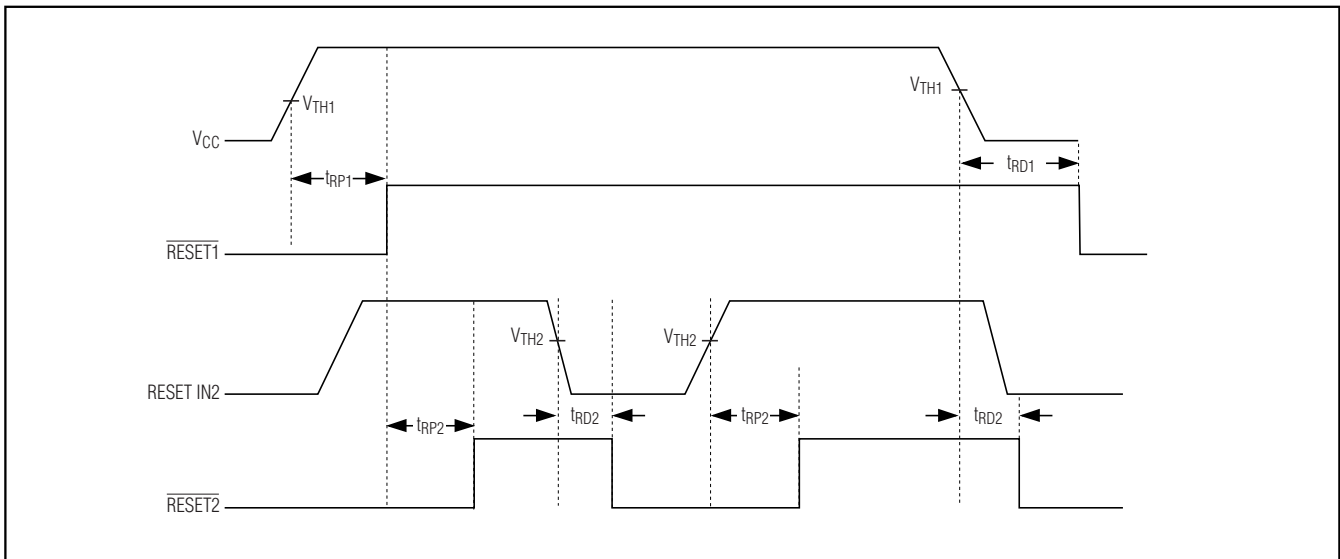


Figure 2. Timing Diagram

# Dual-Voltage $\mu$ P Supervisory Circuits with Sequenced Reset Outputs

## Selector Guide

PART NUMBER	NOMINAL THRESHOLD (V)	TOP MARK
MAX6391KA <b>46</b>	4.63	AAHJ
MAX6391KA44	4.38	AAHK
MAX6391KA31	3.08	AAHL
MAX6391KA <b>29</b>	2.93	AAHM
MAX6391KA26	2.63	AAHN
MAX6391KA <b>23</b>	2.32	AAHO
MAX6391KA22	2.19	AAHP
MAX6391KA17	1.67	AAHQ
MAX6391KA <b>16</b>	1.58	AAHR
MAX6392KA <b>46</b>	4.63	AAHS
MAX6392KA44	4.38	AAHT
MAX6392KA31	3.08	AAHU
MAX6392KA <b>29</b>	2.93	AAHV
MAX6392KA26	2.63	AAHW
MAX6392KA <b>23</b>	2.32	AAHX
MAX6392KA22	2.19	AAHY
MAX6392KA17	1.67	AAHZ
MAX6392KA <b>16</b>	1.58	AAIA

Standard versions in bold face. Samples are typically available for standard versions. Contact factory for availability.

## Applications Information

### Selecting the Reset Timeout Capacitor

The  $\overline{\text{RESET2}}$  delay may be adjusted by the user with an external capacitor connected from the CSRT pin to ground. The MAX6391 includes a 600nA current source that is switched to  $\text{CCSRT}$  to create a voltage ramp. The voltage ramp is compared to the internal 1.25V reference to set the  $\overline{\text{RESET2}}$  delay period. The period is calculated by:

$$\Delta t = C \times \Delta V / I$$

where  $\Delta V = 1.25\text{V}$ ,  $I = 600\text{nA}$ , and  $C$  is the external capacitor.

Simplifying,

$$t_{\text{RP}} = 2.08 \times 10^6 \text{ s} / F \times \text{CCSRT}$$

For  $\text{CCSRT} = 1500\text{pF}$ ,  $t_{\text{RP}} = 3.1\text{ms}$

A fixed internal 140ms (min) reset delay time for  $\overline{\text{RESET2}}$  may be chosen by connecting the CSRT pin to  $V_{\text{CC}}$ . The  $V_{\text{CC}}$  to CSRT connection disables the voltage ramp and enables a separate fixed delay counter

chain. The MAX6391 internally determines the CSRT connection and provides the proper timing setup.

In all cases,  $\overline{\text{RESET IN2}}$  acts as the slave supply.  $V_{\text{CC}}$  can assert the  $\overline{\text{RESET2}}$  output but  $\overline{\text{RESET IN2}}$  will have no effect on the  $\overline{\text{RESET1}}$  output.

### Monitoring Voltages Other Than $V_{\text{CC}}$

An external resistive-divider network is required at  $\overline{\text{RESET IN2}}$  for most applications. The divider resistors,  $R3$  and  $R4$ , may be calculated by the following formula:

$$V_{\text{RST}} = V_{\text{TH2}} \times (R3 + R4) / R4$$

where  $V_{\text{TH2}} = 625\text{mV}$  (internal reference voltage) and  $V_{\text{RST}}$  is the desired reset threshold voltage.  $R4$  may be set to a conveniently high value (500k $\Omega$  for example, to minimize current consumption) and the equation may be solved for  $R3$  by:

$$R3 = R4 \times (V_{\text{RST}} / V_{\text{TH2}} - 1)$$

For single-supply operations requiring two reset outputs ( $\overline{\text{RESET1}}$  before  $\overline{\text{RESET2}}$ ), connect  $\overline{\text{RESET IN2}}$  directly to  $V_{\text{CC}}$  and adjust  $\overline{\text{RESET2}}$  timeout delay with  $\text{CCRST}$  as desired.

### Pullup Resistors

The MAX6391 includes open-drain outputs for both  $\overline{\text{RESET1}}$  and  $\overline{\text{RESET2}}$ . Two internal resistors,  $R1$  and  $R2$ , of 47k $\Omega$  each are provided with internal connections to  $\overline{\text{RESET1}}$  and  $\overline{\text{RESET2}}$ . These resistors may be connected to the appropriate external voltage for independent  $V_{\text{OH}}$  drive with no additional component requirements.

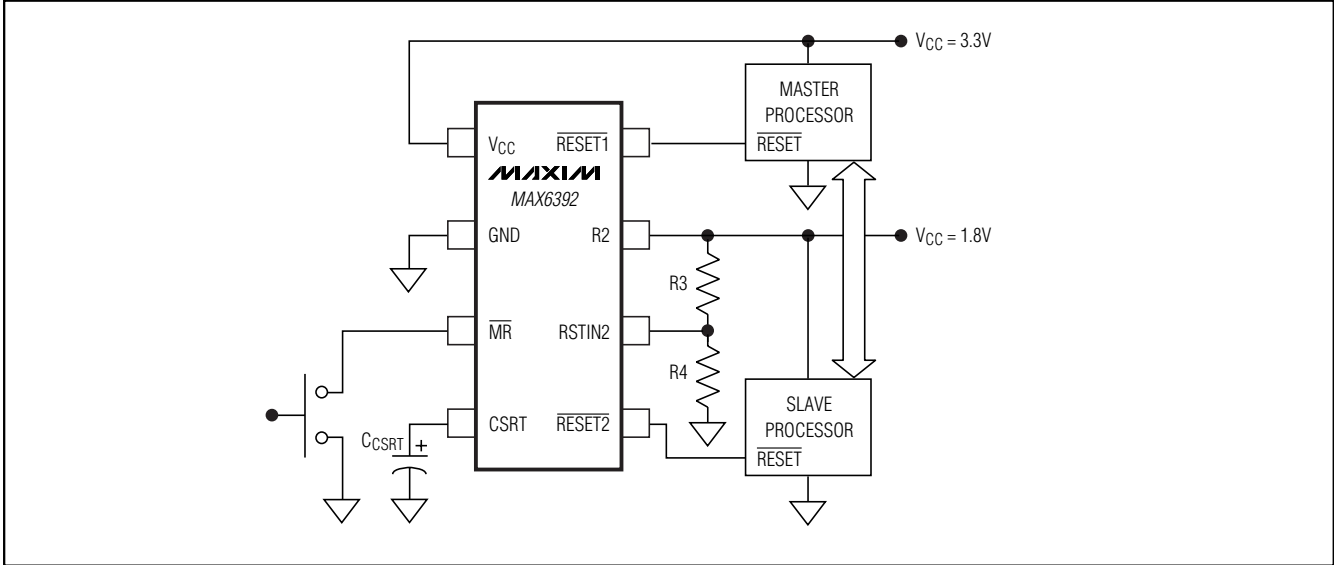
The MAX6392 includes a manual reset option,  $\overline{\text{MR}}$ , that replaces the  $R1$  pullup resistor. The active-low manual reset input forces both  $\overline{\text{RESET1}}$  and  $\overline{\text{RESET2}}$  low.  $\overline{\text{RESET2}}$  is driven active before  $\overline{\text{RESET1}}$  in all cases (10 $\mu\text{s}$  typ). The resets follow standard reset timing specifications after the manual reset is released. The manual reset is internally pulled up to  $V_{\text{CC}}$  through a 47k $\Omega$  resistor.

### Negative-Going $V_{\text{CC}}$ Transients

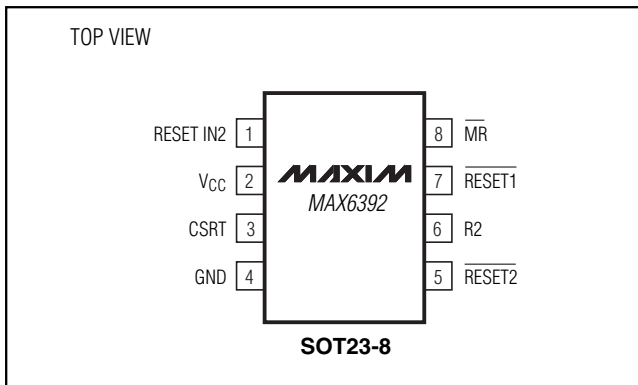
In addition to issuing a reset to the  $\mu\text{P}$  during power-up, power-down, and brownout conditions, these devices are relatively immune to short-duration, negative-going  $V_{\text{CC}}$  or  $\overline{\text{RESET IN2}}$  transients (glitches). The *Typical Operating Characteristics* show the Maximum Transient Duration vs. Reset Comparator Overdrive graph. The graph shows the maximum pulse width that a negative-going  $V_{\text{CC}}$  transient may typically have without issuing a reset signal. As the amplitude of the transient increases, the maximum allowable pulse width decreases.

# Dual-Voltage $\mu$ P Supervisory Circuits with Sequenced Reset Outputs

## Typical Operating Circuit



## Pin Configurations (continued)



## Chip Information

TRANSISTOR COUNT: 810  
PROCESS: BiCMOS

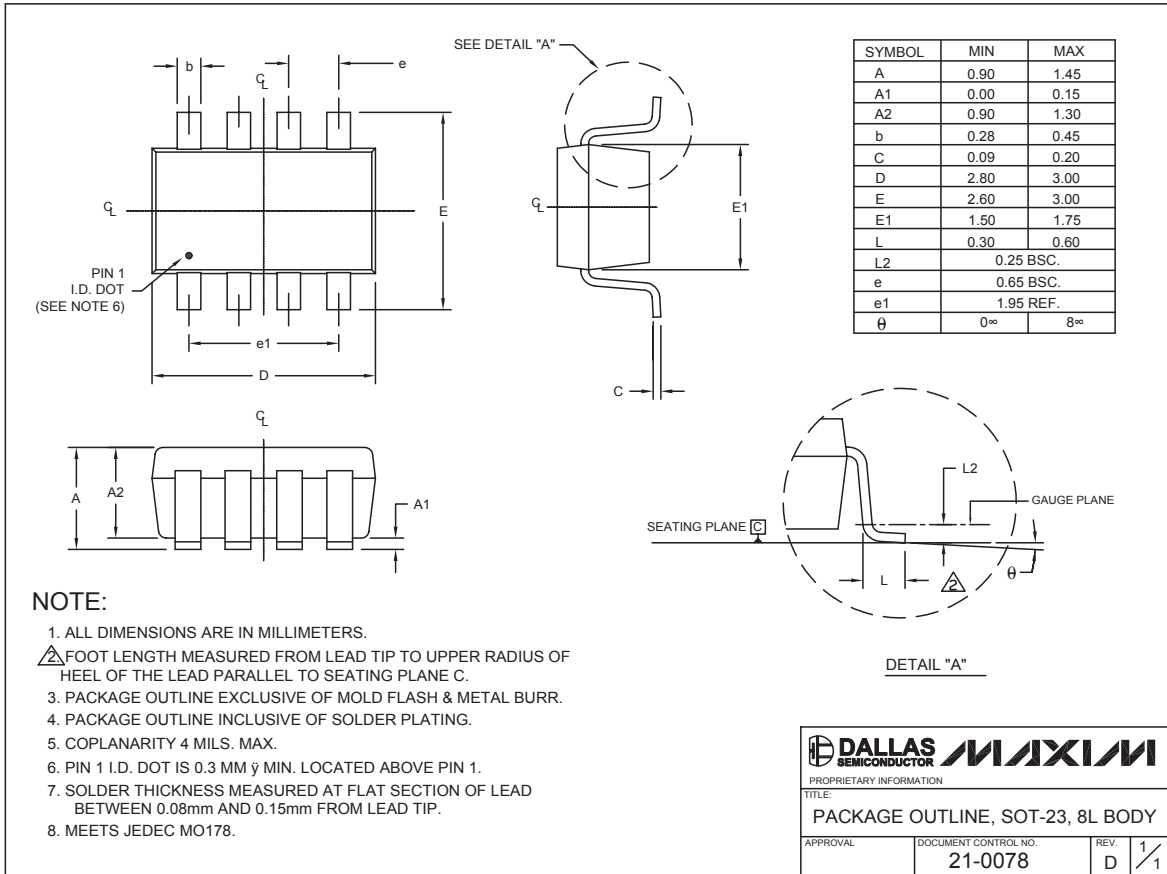


# Dual-Voltage $\mu$ P Supervisory Circuits with Sequenced Reset Outputs

## Package Information

(The package drawing(s) in this data sheet may not reflect the most current specifications. For the latest package outline information go to [www.maxim-ic.com/packages](http://www.maxim-ic.com/packages).)

**MAX6391/MAX6392**



Maxim cannot assume responsibility for use of any circuitry other than circuitry entirely embodied in a Maxim product. No circuit patent licenses are implied. Maxim reserves the right to change the circuitry and specifications without notice at any time.

**Maxim Integrated Products, 120 San Gabriel Drive, Sunnyvale, CA 94086 408-737-7600** \_\_\_\_\_ **9**

Компания «Океан Электроники» предлагает заключение долгосрочных отношений при поставках импортных электронных компонентов на взаимовыгодных условиях!

Наши преимущества:

- Поставка оригинальных импортных электронных компонентов напрямую с производств Америки, Европы и Азии, а так же с крупнейших складов мира;
- Широкая линейка поставок активных и пассивных импортных электронных компонентов (более 30 млн. наименований);
- Поставка сложных, дефицитных, либо снятых с производства позиций;
- Оперативные сроки поставки под заказ (от 5 рабочих дней);
- Экспресс доставка в любую точку России;
- Помощь Конструкторского Отдела и консультации квалифицированных инженеров;
- Техническая поддержка проекта, помощь в подборе аналогов, поставка прототипов;
- Поставка электронных компонентов под контролем ВП;
- Система менеджмента качества сертифицирована по Международному стандарту ISO 9001;
- При необходимости вся продукция военного и аэрокосмического назначения проходит испытания и сертификацию в лаборатории (по согласованию с заказчиком);
- Поставка специализированных компонентов военного и аэрокосмического уровня качества (Xilinx, Altera, Analog Devices, Intersil, Interpoint, Microsemi, Actel, Aeroflex, Peregrine, VPT, Syfer, Eurofarad, Texas Instruments, MS Kennedy, Miteq, Cobham, E2V, MA-COM, Hittite, Mini-Circuits, General Dynamics и др.);

Компания «Океан Электроники» является официальным дистрибьютором и эксклюзивным представителем в России одного из крупнейших производителей разъемов военного и аэрокосмического назначения «**JONHON**», а так же официальным дистрибьютором и эксклюзивным представителем в России производителя высокотехнологичных и надежных решений для передачи СВЧ сигналов «**FORSTAR**».



## JONHON

«**JONHON**» (основан в 1970 г.)

Разъемы специального, военного и аэрокосмического назначения:

(Применяются в военной, авиационной, аэрокосмической, морской, железнодорожной, горно- и нефтедобывающей отраслях промышленности)

«**FORSTAR**» (основан в 1998 г.)

ВЧ соединители, коаксиальные кабели, кабельные сборки и микроволновые компоненты:

(Применяются в телекоммуникациях гражданского и специального назначения, в средствах связи, РЛС, а так же военной, авиационной и аэрокосмической отраслях промышленности).



Телефон: 8 (812) 309-75-97 (многоканальный)

Факс: 8 (812) 320-03-32

Электронная почта: [ocean@oceanchips.ru](mailto:ocean@oceanchips.ru)

Web: <http://oceanchips.ru/>

Адрес: 198099, г. Санкт-Петербург, ул. Калинина, д. 2, корп. 4, лит. А