



PCA8565A

Real-time clock/calendar

Rev. 3 — 1 September 2014

Product data sheet

1. General description

The PCA8565A is a CMOS¹ Real-Time Clock (RTC) and calendar optimized for low power consumption. A programmable clock output, interrupt output, and voltage-low detector are also provided. All addresses and data are transferred serially via a two-line bidirectional I²C-bus. Maximum bus speed is 400 kbit/s. The built-in word address register is incremented automatically after each written or read data byte.

For a selection of NXP Real-Time Clocks, see [Table 37 on page 39](#)

2. Features and benefits

- AEC-Q100 compliant for automotive applications
- Provides year, month, day, weekday, hours, minutes, and seconds based on 32.768 kHz quartz crystal
- Clock operating voltage: 1.8 V to 5.5 V
- Extended operating temperature range: -40 °C to +125 °C
- Low backup current: typical 0.65 μA at V_{DD} = 3.0 V and T_{amb} = 25 °C
- 400 kHz two-line I²C-bus interface (at V_{DD} = 1.8 V to 5.5 V)
- Programmable clock output for peripheral devices (32.768 kHz, 1.024 kHz, 32 Hz, and 1 Hz)
- Alarm and timer functions
- Two integrated oscillator capacitors
- Internal Power-On Reset (POR)
- I²C-bus slave address: read A3h; write A2h
- Open-drain interrupt pin

3. Applications

- Automotive
- Industrial
- Applications that require a wide operating temperature range

1. The definition of the abbreviations and acronyms used in this data sheet can be found in [Section 21](#).



4. Ordering information

Table 1. Ordering information

Type number	Package		
	Name	Description	Version
PCA8565AU	wire bond die	9 bonding pads	PCA8565AU

4.1 Ordering options

Table 2. Ordering options

Product type number	Orderable part number	Sales item (12NC)	Delivery form	IC revision
PCA8565AU/5BB/1	PCA8565AU/5BB/1,01	935289264015	unsawn wafer; thickness 280 μm	1

5. Marking

Table 3. Marking codes

Type number	Marking code
PCA8565AU/5BB/1	PC8565A-1

6. Block diagram

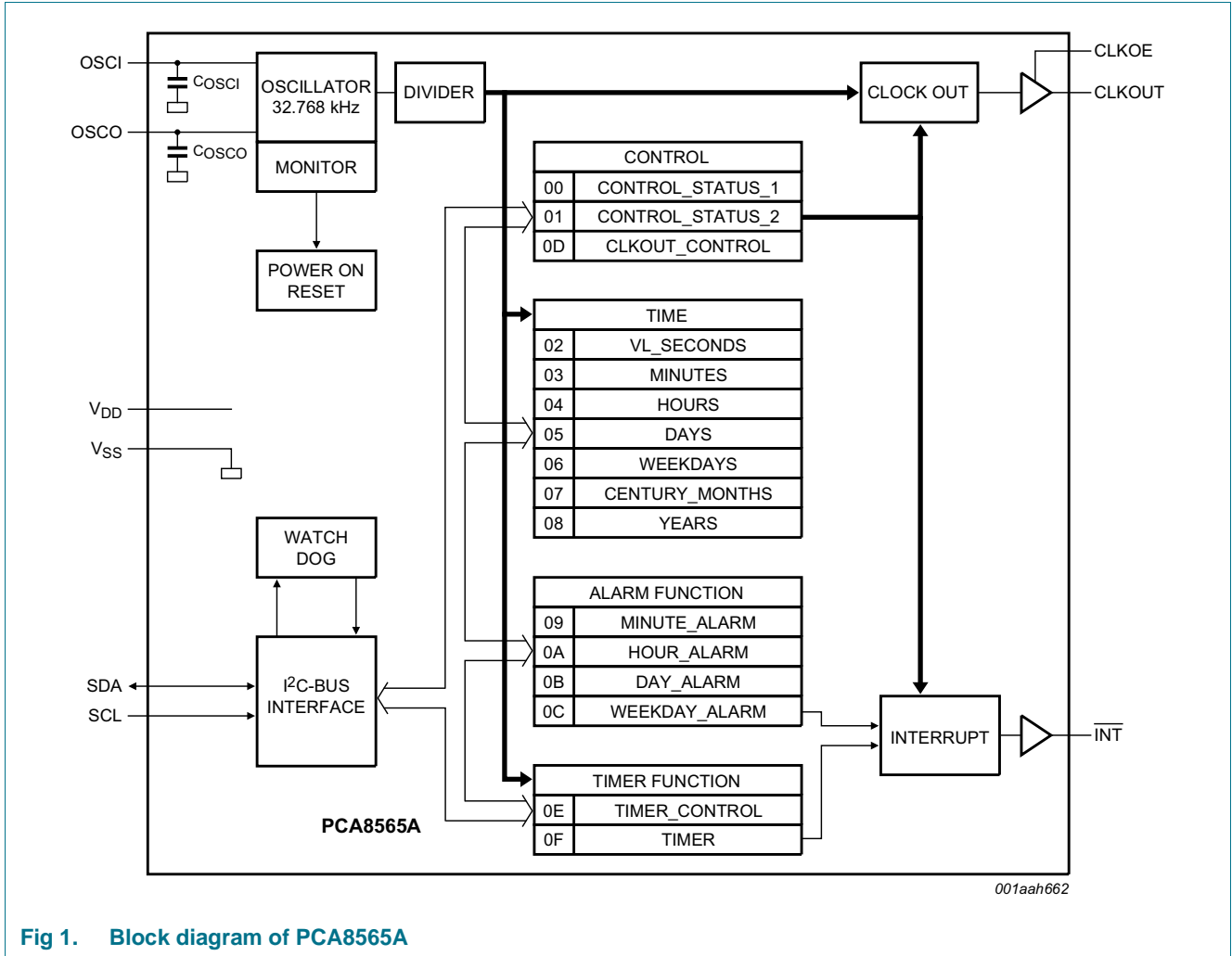


Fig 1. Block diagram of PCA8565A

7. Pinning information

7.1 Pinning

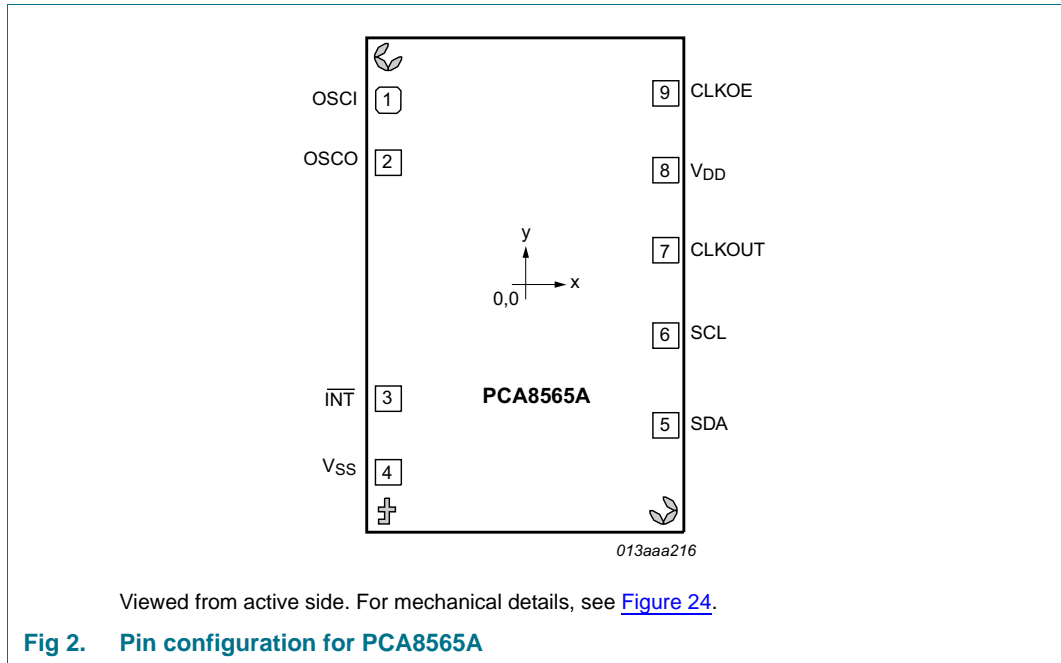


Fig 2. Pin configuration for PCA8565A

7.2 Pin description

Table 4. Pin description

Input or input/output pins must always be at a defined level (V_{SS} or V_{DD}) unless otherwise specified.

Symbol	Pin	Description
OSCI	1	oscillator input
OSCO	2	oscillator output
$\overline{\text{INT}}$	3	interrupt output (open-drain; active LOW)
V_{SS}	4	ground supply voltage ^[1]
SDA	5	serial data input and output
SCL	6	serial clock input
CLKOUT	7	clock output (open-drain)
V_{DD}	8	supply voltage
CLKOE	9	CLKOUT output enable input

[1] The substrate (rear side of the die) is wired to V_{SS} but should not be electrically contacted.

8. Functional description

The PCA8565A contains 16 8-bit registers with an auto-incrementing address register, an on-chip 32.768 kHz oscillator with two integrated capacitors, a frequency divider which provides the source clock for the RTC, a programmable clock output, a timer, an alarm, a voltage low detector, and a 400 kHz I²C-bus interface.

All 16 registers (see [Table 5](#)) are designed as addressable 8-bit parallel registers although not all bits are implemented. The first two registers (memory address 00h and 01h) are used as control and/or status registers. The memory addresses 02h through 08h are used as counters for the clock function (seconds up to years counters). Address locations 09h through 0Ch contain alarm registers which define the conditions for an alarm. Address 0Dh controls the CLKOUT output frequency. 0Eh and 0Fh are the timer control and timer registers, respectively.

The seconds, minutes, hours, days, weekdays, months, years, as well as the minute alarm, hour alarm, day alarm, and weekday alarm registers are all in Binary Coded Decimal (BCD) format.

When one of the RTC registers is written or read, the contents of all time counters are frozen. Therefore, faulty writing or reading of the clock and calendar during a carry condition is prevented.

8.1 Register organization

Table 5. Register overview

Bit positions labelled as - are not implemented. Bit positions labelled as N should always be written with logic 0. After reset, all registers are set according to [Table 8](#).

Address	Register name	Bit							
		7	6	5	4	3	2	1	0
Control registers									
00h	Control_status_1	TEST1	N	STOP	N	TESTC	N	N	N
01h	Control_status_2	N	N	N	TI_TP	AF	TF	AIE	TIE
Time and date registers									
02h	VL_seconds	VL	SECONDS (0 to 59)						
03h	Minutes	-	MINUTES (0 to 59)						
04h	Hours	-	-	HOURS (0 to 23)					
05h	Days	-	-	DAYS (1 to 31)					
06h	Weekdays	-	-	-	-	-	WEEKDAYS (0 to 6)		
07h	Century_months	C	-	-	MONTH (1 to 12)				
08h	Years	YEARS (0 to 99)							
Alarm registers									
09h	Minute_alarm	AE_M	MINUTE_ALARM (0 to 59)						
0Ah	Hour_alarm	AE_H	-	HOUR_ALARM (0 to 23)					
0Bh	Day_alarm	AE_D	-	DAY_ALARM (1 to 31)					
0Ch	Weekday_alarm	AE_W	-	-	-	-	WEEKDAY_ALARM (0 to 6)		
CLKOUT control register									
0Dh	CLKOUT_control	-	-	-	-	-	-	-	FD
Timer registers									
0Eh	Timer_control	TE	-	-	-	-	-	-	TD
0Fh	Timer	TIMER							

8.2 Control registers

8.2.1 Register Control_status_1

Table 6. Control_status_1 - control and status register 1 (address 00h) bit description

Bit	Symbol	Value	Description	Reference
7	TEST1	0 ^[1]	normal mode; must be set logic 0 during normal operations	Section 8.10
		1	EXT_CLK test mode	
6	N	0 ^[2]	default value	-
5	STOP	0 ^[1]	RTC clock runs	Section 8.11
		1	RTC clock is stopped; all RTC divider chain flip-flops are asynchronously set logic 0; the RTC clock is stopped (CLKOUT at 32.768 kHz is still available); I ² C-bus watchdog doesn't work	
4	N	0 ^[2]	default value	
3	TESTC	0	Power-On Reset (POR) override facility is disabled; set logic 0 for normal operation	Section 8.3.1
		1 ^[1]	Power-On Reset (POR) override is enabled	
2 to 0	N	000 ^[2]	default value	-

[1] Default value.

[2] Bits labeled as N should always be written with logic 0.

8.2.2 Register Control_status_2

Table 7. Control_status_2 - control and status register 2 (address 01h) bit description

Bit	Symbol	Value	Description	Reference
7 to 5	N	000 ^[1]	default value	
4	TI_TP	0 ^[2]	$\overline{\text{INT}}$ active when TF or AF is active (subject to the status of TIE and AIE)	Section 8.9 and Section 8.7
		1	$\overline{\text{INT}}$ pulses active according to Table 29 (subject to the status of TIE); Remark: if AF and AIE are active then $\overline{\text{INT}}$ will be permanently active	
3	AF	0 ^[2]	read: alarm flag inactive write: alarm flag is cleared	Section 8.9
		1	read: alarm flag active write: alarm flag remains unchanged	
2	TF	0 ^[2]	read: timer flag inactive write: timer flag is cleared	Section 8.9
		1	read: timer flag active write: timer flag remains unchanged	
1	AIE	0 ^[2]	alarm interrupt disabled	Section 8.9
		1	alarm interrupt enabled	
0	TIE	0 ^[2]	timer interrupt disabled	Section 8.9
		1	timer interrupt enabled	

[1] Bits labeled as N should always be written with logic 0.

[2] Default value.

8.3 Reset

The PCA8565A includes an internal reset circuit which is active whenever the oscillator is stopped. In the reset state the I²C-bus logic is initialized including the address pointer and all registers are set according to [Table 8](#). I²C-bus communication is not possible during reset.

Table 8. Register reset values^[1]

Address	Register name	Bit							
		7	6	5	4	3	2	1	0
00h	Control_status_1	0	0	0	0	1	0	0	0
01h	Control_status_2	0	0	0	0	0	0	0	0
02h	VL_seconds	1	x	x	x	x	x	x	x
03h	Minutes	x	x	x	x	x	x	x	x
04h	Hours	x	x	x	x	x	x	x	x
05h	Days	x	x	x	x	x	x	x	x
06h	Weekdays	x	x	x	x	x	x	x	x
07h	Century_months	x	x	x	x	x	x	x	x
08h	Years	x	x	x	x	x	x	x	x
09h	Minute_alarm	1	x	x	x	x	x	x	x
0Ah	Hour_alarm	1	x	x	x	x	x	x	x
0Bh	Day_alarm	1	x	x	x	x	x	x	x
0Ch	Weekday_alarm	1	x	x	x	x	x	x	x
0Dh	CLKOUT_control	x	x	x	x	x	x	0	0
0Eh	Timer_control	0	x	x	x	x	x	1	1
0Fh	Timer	x	x	x	x	x	x	x	x

[1] Registers marked 'x' are undefined at power-up and unchanged by subsequent resets.

8.3.1 Power-On Reset (POR) override

The POR duration is directly related to the crystal oscillator start-up time. Due to the long start-up times experienced by these types of circuits, a mechanism has been built in to disable the POR and hence speed up on-board test of the device. The setting of this mode requires that the I²C-bus pins, SDA and SCL, be toggled in a specific order as shown in [Figure 3](#). All timings are required minimums.

Once the override mode has been entered, the device immediately stops, being reset, and normal operation may commence, i.e., entry into the EXT_CLK test mode via I²C-bus access. The override mode may be cleared by writing logic 0 to TESTC. TESTC must be set logic 1 before re-entry into the override mode is possible. Setting TESTC logic 0 during normal operation has no effect, except to prevent entry into the POR override mode.

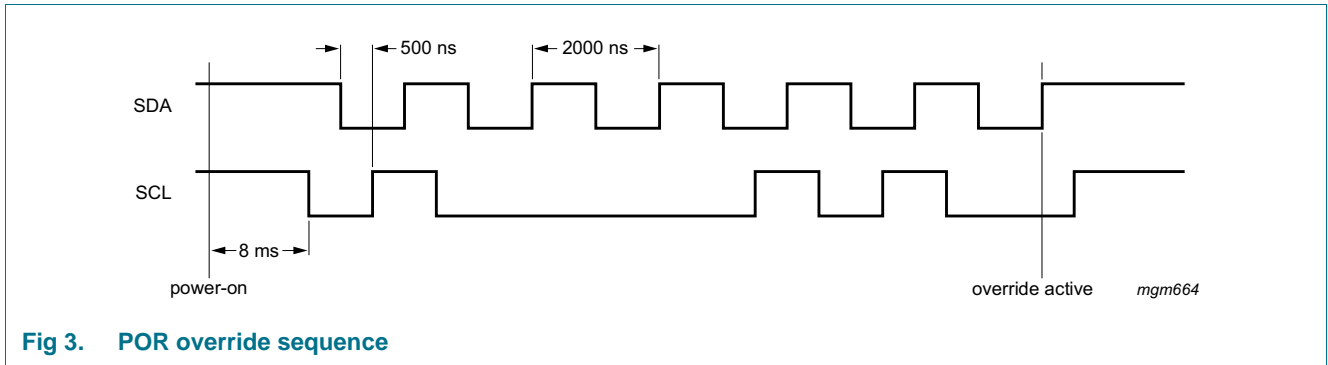


Fig 3. POR override sequence

8.4 Time and date registers

The majority of the registers are coded in the BCD format to simplify application use.

8.4.1 Register VL_seconds

Table 9. VL_seconds - seconds and clock integrity status register (address 02h) bit description

Bit	Symbol	Value	Place value	Description
7	VL	0	-	clock integrity is guaranteed
		1 ^[1]	-	integrity of the clock information is not guaranteed
6 to 4	SECONDS	0 to 5	ten's place	actual seconds coded in BCD format, see Table 10
3 to 0		0 to 9	unit place	

[1] Start-up value.

Table 10. Seconds coded in BCD format

Seconds value in decimal	Upper-digit (ten's place)			Digit (unit place)			
	Bit 6	Bit 5	Bit 4	Bit 3	Bit 2	Bit 1	Bit 0
00	0	0	0	0	0	0	0
01	0	0	0	0	0	0	1
02	0	0	0	0	0	1	0
:	:	:	:	:	:	:	:
09	0	0	0	1	0	0	1
10	0	0	1	0	0	0	0
:	:	:	:	:	:	:	:
58	1	0	1	1	0	0	0
59	1	0	1	1	0	0	1

8.4.1.1 Voltage-low detector and clock monitor

The PCA8565A has an on-chip voltage-low detector (see [Figure 4](#)). When V_{DD} drops below V_{low} , bit VL in the VL_seconds register is set to indicate that the integrity of the clock information is no longer guaranteed. The VL flag can only be cleared by command.

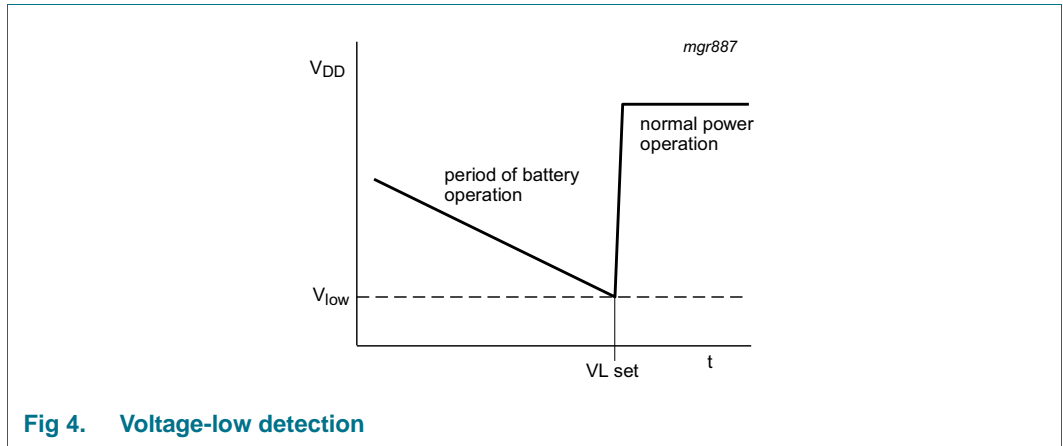


Fig 4. Voltage-low detection

The VL flag is intended to detect the situation when V_{DD} is decreasing slowly, for example under battery operation. Should the oscillator stop or V_{DD} reach V_{low} before power is re-asserted, then the VL flag is set. This will indicate that the time may be corrupted.

8.4.2 Register Minutes

Table 11. Minutes - minutes register (address 03h) bit description

Bit	Symbol	Value	Place value	Description
7	-	-	-	unused
6 to 4	MINUTES	0 to 5	ten's place	actual minutes coded in BCD format
3 to 0		0 to 9	unit place	

8.4.3 Register Hours

Table 12. Hours - hours register (address 04h) bit description

Bit	Symbol	Value	Place value	Description
7 to 6	-	-	-	unused
5 to 4	HOURS	0 to 2	ten's place	actual hours coded in BCD format
3 to 0		0 to 9	unit place	

8.4.4 Register Days

Table 13. Days - days register (address 05h) bit description

Bit	Symbol	Value	Place value	Description
7 to 6	-	-	-	unused
5 to 4	DAYS ^[1]	0 to 3	ten's place	actual day coded in BCD format
3 to 0		0 to 9	unit place	

[1] The PCA8565A compensates for leap years by adding a 29th day to February if the year counter contains a value which is exactly divisible by 4, including the year 00.

8.4.5 Register Weekdays

Table 14. Weekdays - weekdays register (address 06h) bit description

Bit	Symbol	Value	Description
7 to 3	-	-	unused
2 to 0	WEEKDAYS	0 to 6	actual weekday values, see Table 15 .

Table 15. Weekday assignments

Day ^[1]	Bit		
	2	1	0
Sunday	0	0	0
Monday	0	0	1
Tuesday	0	1	0
Wednesday	0	1	1
Thursday	1	0	0
Friday	1	0	1
Saturday	1	1	0

[1] Definition may be re-assigned by the user.

8.4.6 Register Century_months

Table 16. Century_months - century flag and months register (address 07h) bit description

Bit	Symbol	Value	Place value	Description
7	C ^[1]	0 ^[2]	-	indicates the century is x
		1	-	indicates the century is x + 1
6 to 5	-	-	-	unused
4	MONTHS	0 to 1	ten's place	actual month coded in BCD format, see Table 17
3 to 0		0 to 9	unit place	

[1] This bit may be re-assigned by the user.

[2] This bit is toggled when the register Years overflows from 99 to 00.

Table 17. Month assignments in BCD format

Month	Upper-digit (ten's place)	Digit (unit place)			
	Bit 4	Bit 3	Bit 2	Bit 1	Bit 0
January	0	0	0	0	1
February	0	0	0	1	0
March	0	0	0	1	1
April	0	0	1	0	0
May	0	0	1	0	1
June	0	0	1	1	0
July	0	0	1	1	1
August	0	1	0	0	0
September	0	1	0	0	1
October	1	0	0	0	0
November	1	0	0	0	1
December	1	0	0	1	0

8.4.7 Register Years

Table 18. Years - years register (08h) bit description

Bit	Symbol	Value	Place value	Description
7 to 4	YEARS	0 to 9	ten's place	actual year coded in BCD format
3 to 0		0 to 9	unit place	

8.5 Setting and reading the time

Figure 5 shows the data flow and data dependencies starting from the 1 Hz clock tick.

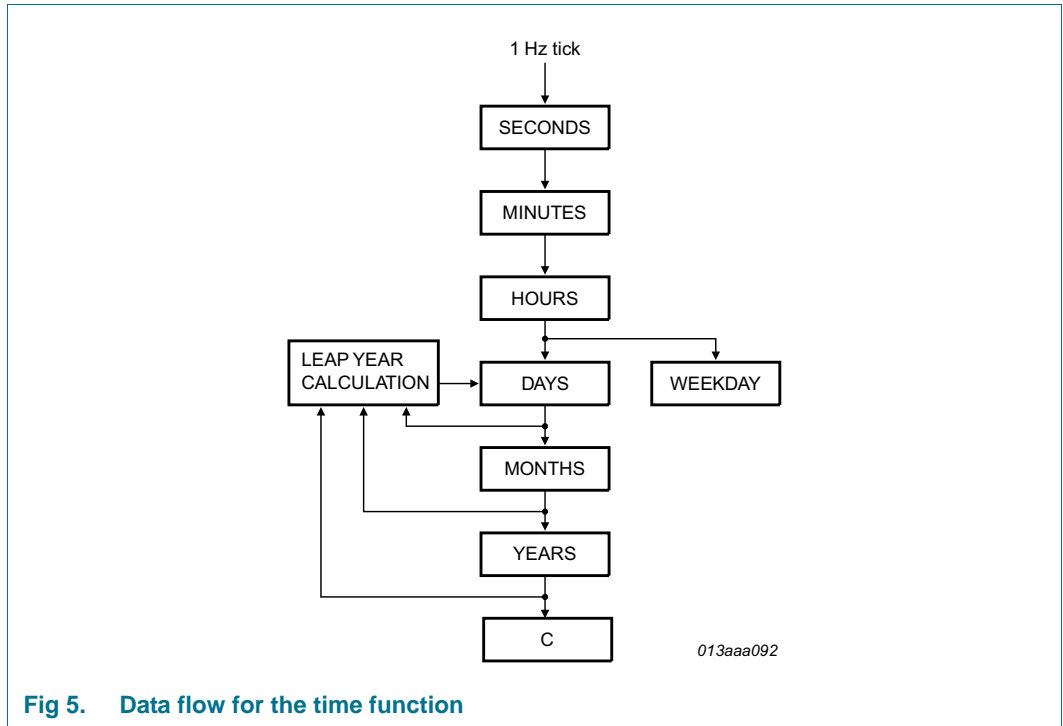


Fig 5. Data flow for the time function

During read/write operations, the time counting circuits (memory locations 02h through 08h) are blocked.

This prevents

- Faulty reading of the clock and calendar during a carry condition
- Incrementing the time registers, during the read cycle

After this read/write access is completed, the time circuit is released again and any pending request to increment the time counters that occurred during the read access is serviced. A maximum of 1 request can be stored; therefore, all accesses must be completed within 1 second (see Figure 6).

As a consequence of this method, it is very important to make a read or write access in one go, that is, setting or reading seconds through to years should be made in one single access. Failing to comply with this method could result in the time becoming corrupted.

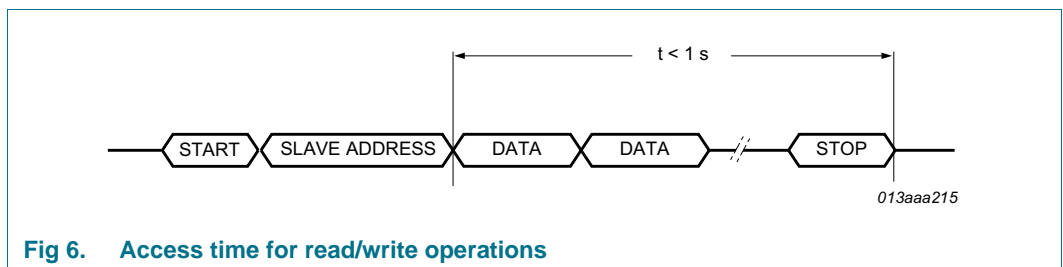


Fig 6. Access time for read/write operations

As an example, if the time (seconds through to hours) is set in one access and then in a second access the date is set, it is possible that the time may increment between the two accesses. A similar problem exists when reading. A roll over may occur between reads thus giving the minutes from one moment and the hours from the next.

Recommended method for reading the time:

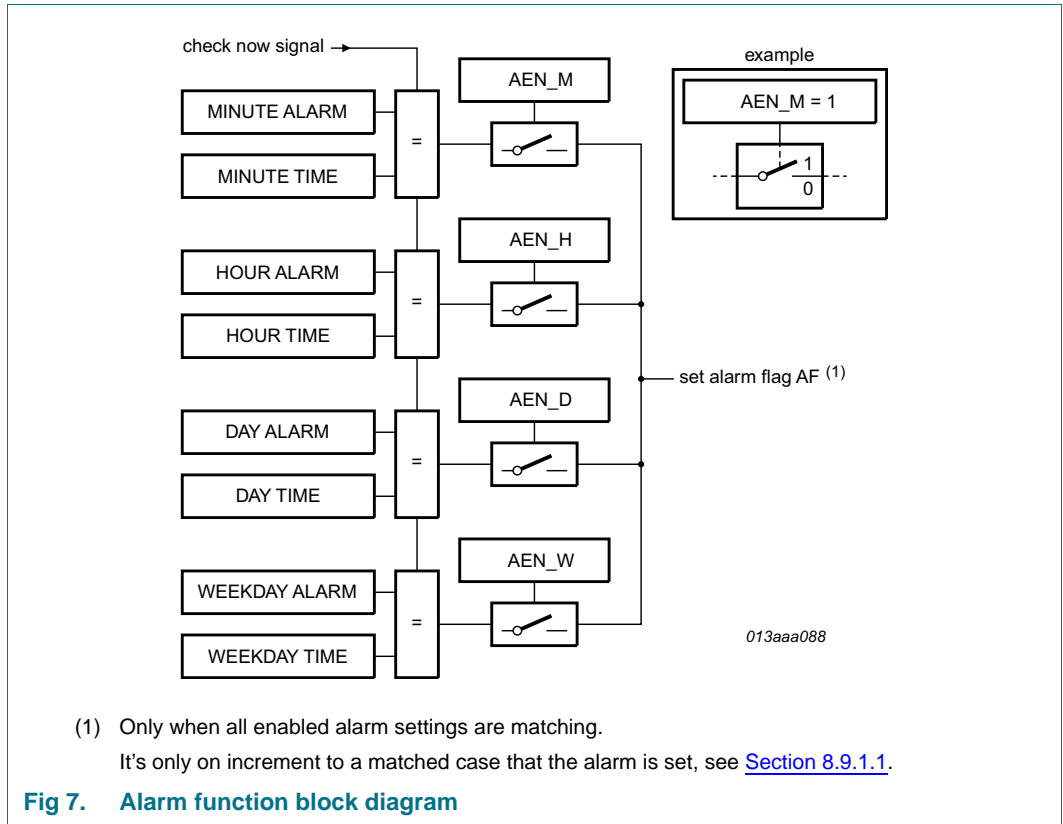
1. Send a START condition and the slave address for write (A2h).
2. Set the address pointer to 2 (VL_seconds) by sending 02h.
3. Send a RESTART condition or STOP followed by START.
4. Send the slave address for read (A3h).
5. Read VL_seconds.
6. Read Minutes.
7. Read Hours.
8. Read Days.
9. Read Weekdays.
10. Read Century_months.
11. Read Years.
12. Send a STOP condition.

8.6 Alarm registers

When one or more of the alarm registers are loaded with a valid minute, hour, day or weekday and its corresponding bit alarm enable (AE_x) is logic 0, then that information is compared with the actual minute, hour, day and weekday.

When all enabled comparisons first match, the Alarm Flag (AF) is set. AF will remain set until cleared by command. **Once AF has been cleared it is only set again when the time increments to match the alarm condition once more.** (For clearing the AF, see [Section 8.9.1.1 on page 19.](#))

Alarm registers which have their bit AE_x at logic 1 are ignored.



8.6.1 Register Minute_alarm

Table 19. Minute_alarm - minute alarm register (address 09h) bit description

Bit	Symbol	Value	Place value	Description
7	AE_M	0	-	minute alarm is enabled
		1 ^[1]	-	minute alarm is disabled
6 to 4	MINUTE_ALARM	0 to 5	ten's place	minute alarm information coded in BCD format
3 to 0		0 to 9	unit place	

[1] Default value.

8.6.2 Register Hour_alarm

Table 20. Hour_alarm - hour alarm register (address 0Ah) bit description

Bit	Symbol	Value	Place value	Description
7	AE_H	0	-	hour alarm is enabled
		1 ^[1]	-	hour alarm is disabled
6	-	-	-	unused
5 to 4	HOUR_ALARM	0 to 2	ten's place	hour alarm information coded in BCD format
3 to 0		0 to 9	unit place	

[1] Default value.

8.6.3 Register Day_alarm

Table 21. Day_alarm - day alarm register (address 0Bh) bit description

Bit	Symbol	Value	Place value	Description
7	AE_D	0	-	day alarm is enabled
		1 ^[1]	-	day alarm is disabled
6	-	-	-	unused
5 to 4	DAY_ALARM	0 to 3	ten's place	day alarm information coded in BCD format
3 to 0		0 to 9	unit place	

[1] Default value.

8.6.4 Register Weekday_alarm

Table 22. Weekday_alarm - weekday alarm register (address 0Ch) bit description

Bit	Symbol	Value	Description
7	AE_W	0	weekday alarm is enabled
		1 ^[1]	weekday alarm is disabled
6 to 3	-	-	unused
2 to 0	WEEKDAY_ALARM	0 to 6	weekday alarm information coded in BCD format

[1] Default value.

8.7 Timer function

The 8-bit countdown timer at address 0Fh is controlled by the timer control register at address 0Eh. The timer control register determines one of 4 source clock frequencies for the timer (4.096 kHz, 64 Hz, 1 Hz, or $\frac{1}{60}$ Hz) and enables or disables the timer. The timer counts down from a software-loaded 8-bit binary value. At the end of every countdown, the timer sets the Timer Flag (TF) in the register Control_status_2. The TF may only be cleared by command. The asserted TF can be used to generate an interrupt (on pin INT). The interrupt may be generated as a pulsed signal every countdown period or as a permanently active signal which follows the state of TF. Bit TI_TP is used to control this mode selection. When reading the timer, the current countdown value is returned.

8.7.1 Register Timer_control

The timer register is an 8-bit binary countdown timer. It is enabled and disabled via the bit TE in register Timer_control. The source clock for the timer is also selected by the TD[1:0] in register Timer_control. Other timer properties such as interrupt generation are controlled via register Control_2.

Table 23. Timer_control - timer control register (address 0Eh) bit description

Bit	Symbol	Value	Description
7	TE	0 ^[1]	timer is disabled
		1	timer is enabled
6 to 2	-	-	unused
1 to 0	TD[1:0]		timer source clock frequency select ^[2]
		00	4.096 kHz
		01	64 Hz
		10	1 Hz
		11 ^[2]	1/60 Hz

[1] Default value.

[2] These bits determine the source clock for the countdown timer; when not in use, TD[1:0] should be set to 1/60 Hz for power saving.

8.7.2 Register Timer

Table 24. Timer - timer register (address 0Fh) bit description

Bit	Symbol	Value	Description
7 to 0	TIMER[7:0]	00h to FFh	countdown period in seconds: $CountdownPeriod = \frac{n}{SourceClockFrequency}$ where n is the countdown value

Table 25. Timer register bits value range

Bit							
7	6	5	4	3	2	1	0
128	64	32	16	8	4	2	1

The timer register is an 8-bit binary countdown timer. It is enabled or disabled via the Timer_control register. The source clock for the timer is also selected by the Timer_control register. Other timer properties such as single or periodic interrupt generation are controlled via the register Control_status_2 (address 01h).

For accurate read back of the count down value, it is recommended to read the register twice and check for consistent results, since it is not possible to freeze the countdown timer counter during read back.

8.8 Register CLKOUT_control and clock output

A programmable square wave is available at the CLKOUT pin. Frequencies of 32.768 kHz, 1.024 kHz, 32 Hz and 1 Hz can be generated for use as a system clock, microcontroller clock, input to a charge pump, or for calibration of the oscillator. CLKOUT is an open-drain output, and if disabled it becomes high-impedance.

Table 26. CLKOUT_control - CLKOUT control register (address 0Dh) bit description

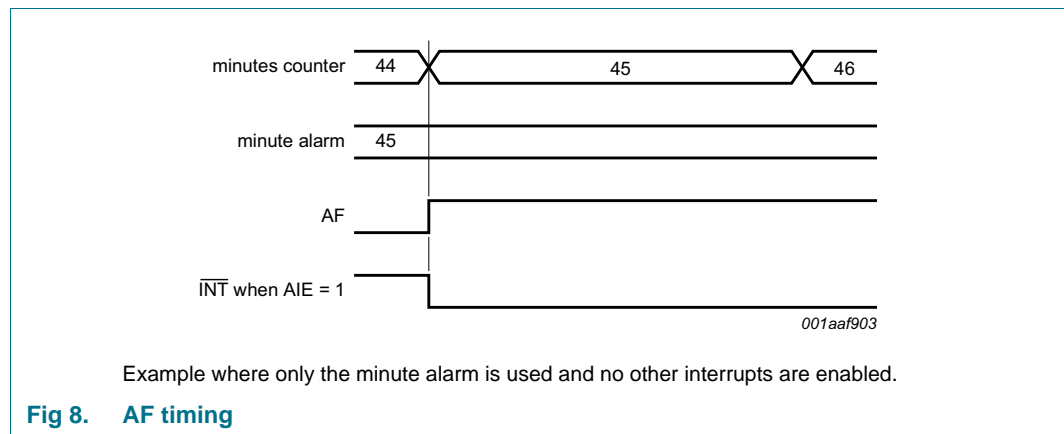
Bit	Symbol	Value	Description
7 to 2	-	-	unused
1 to 0	FD[1:0]		frequency output at pin CLKOUT
		00 ^[1]	32.768 kHz
		01	1.024 kHz
		10	32 Hz
		11	1 Hz

[1] Default value.

8.9 Interrupt output

8.9.1 Bits TF and AF

When an alarm occurs, AF is set to 1. Similarly, at the end of a timer countdown, TF is set to 1. These bits maintain their value until overwritten by command. If both timer and alarm interrupts are required in the application, the source of the interrupt is determined by reading these bits.



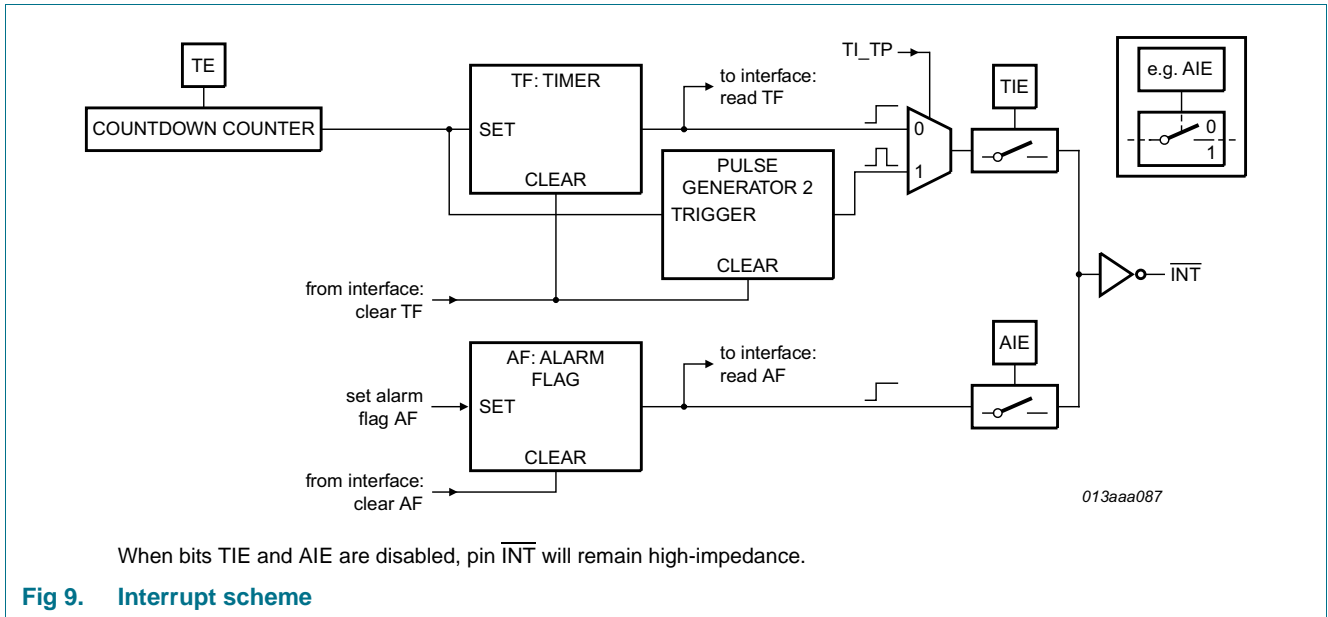


Fig 9. Interrupt scheme

8.9.1.1 Clearing the alarm flag (AF)

Table 28 shows an example for clearing bit AF but leaving bit TF unaffected. Clearing the flags is made by a write command; therefore bits 7, 6, 4, 1 and 0 must be written with their previous values. Repeatedly re-writing these bits has no influence on the functional behavior.

To prevent the timer flags being overwritten while clearing AF, a logical AND is performed during a write access. Writing a logic 1 will cause the flag to maintain its value, whereas writing a logic 0 will cause the flag to be reset.

Table 27. Flag location in register Control_2

Register	Bit							
	7	6	5	4	3	2	1	0
Control_2	-	-	-	-	AF	TF	-	-

The following table shows what instruction must be sent to clear bit AF. In this example bit TF is unaffected.

Table 28. Example to clear only AF (bit 3) in register Control_2

Register	Bit							
	7	6	5	4	3	2	1	0
Control_2	-	-	-	-	0	1	-	-

8.9.2 Bits TIE and AIE

These bits activate or deactivate the generation of an interrupt when TF or AF is asserted, respectively. The interrupt is the logical OR of these two conditions when both AIE and TIE are set.

8.9.3 Countdown timer interrupts

The pulse generator for the countdown timer interrupt uses an internal clock and is dependent on the selected source clock for the countdown timer and on the countdown value n. As a consequence, the width of the interrupt pulse varies (see [Table 29](#)).

Table 29. $\overline{\text{INT}}$ operation (bit TI_TP = 1)^[1]

Source clock (Hz)	$\overline{\text{INT}}$ period (s)	
	n = 1 ^[2]	n > 1 ^[2]
4096	1/8192	1/4096
64	1/128	1/64
1	1/64	1/64
1/60	1/64	1/64

[1] TF and $\overline{\text{INT}}$ become active simultaneously.

[2] n = loaded countdown value. Timer stops when n = 0.

8.10 External clock (EXT_CLK) test mode

A test mode is available which allows for on-board testing. In such a mode it is possible to set up test conditions and control the operation of the RTC.

The test mode is entered by setting bit TEST1 in register Control_status_1. Then pin CLKOUT becomes an input. The test mode replaces the internal 64 Hz signal with the signal applied to pin CLKOUT. Every 64 positive edges applied to pin CLKOUT will then generate an increment of one second.

The signal applied to pin CLKOUT should have a minimum pulse width of 300 ns and a maximum period of 1000 ns. The internal 64 Hz clock, now sourced from CLKOUT, is divided down to 1 Hz by a 2⁶ divide chain called a prescaler. The prescaler can be set into a known state by using the bit STOP. When the STOP bit is set, the prescaler is reset to logic 0 (STOP must be cleared before the prescaler can operate again).

From a STOP condition, the first 1 second increment will take place after 32 positive edges on pin CLKOUT. Thereafter, every 64 positive edges will cause a one-second increment.

Remark: Entry into EXT_CLK test mode is not synchronized to the internal 64 Hz clock. When entering the test mode, no assumption as to the state of the prescaler can be made.

Operation example:

1. Set EXT_CLK test mode (Control_status_1, bit TEST1 = 1).
2. Set bit STOP (Control_status_1, bit STOP = 1).
3. Clear bit STOP (Control_status_1, bit STOP = 0).
4. Set time registers to desired value.
5. Apply 32 clock pulses to pin CLKOUT.
6. Read time registers to see the first change.
7. Apply 64 clock pulses to pin CLKOUT.
8. Read time registers to see the second change.

Repeat steps 7 and 8 for additional increments.

8.11 STOP bit function

The function of the STOP bit is to allow for accurate starting of the time circuits. The STOP bit function will cause the upper part of the prescaler (F_2 to F_{14}) to be held in reset and thus no 1 Hz ticks will be generated (see [Figure 10](#)). The time circuits can then be set and will not increment until the STOP bit is released (see [Figure 11](#) and [Table 30](#)).

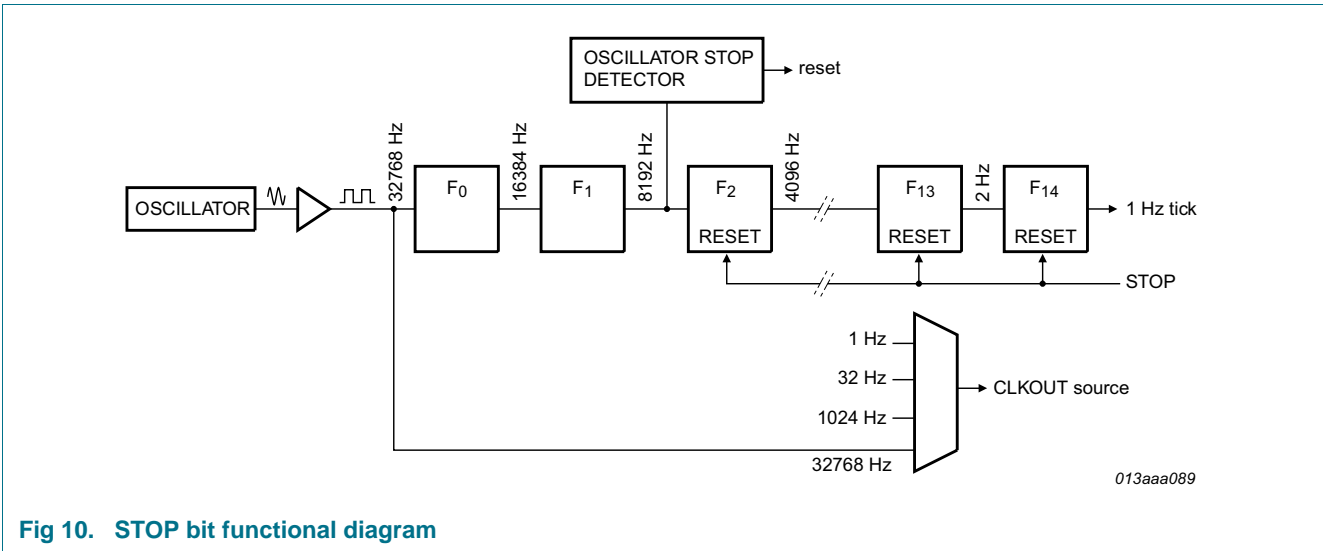


Fig 10. STOP bit functional diagram

The STOP bit function will not affect the output of 32.768 kHz on CLKOUT, but will stop the generation of 1.024 kHz, 32 Hz, and 1 Hz.

The lower two stages of the prescaler (F_0 and F_1) are not reset; and because the I²C-bus is asynchronous to the crystal oscillator, the accuracy of re-starting the time circuits will be between zero and one 8.192 kHz cycle (see [Figure 11](#)).

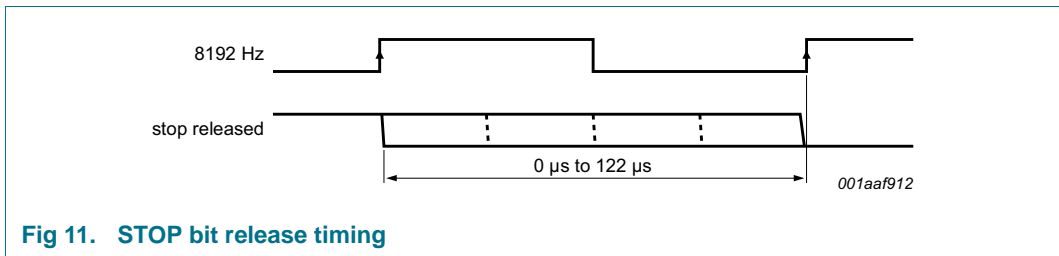


Fig 11. STOP bit release timing

Table 30. First increment of time circuits after STOP bit release

Bit	Prescaler bits	[1] 1 Hz tick	Time	Comment
STOP	F ₀ F ₁ -F ₂ to F ₁₄		hh:mm:ss	
Clock is running normally				
0	01-0 0001 1101 0100		12:45:12	prescaler counting normally
STOP bit is activated by user. F₀F₁ are not reset and values cannot be predicted externally				
1	XX-0 0000 0000 0000		12:45:12	prescaler is reset; time circuits are frozen
New time is set by user				
1	XX-0 0000 0000 0000		08:00:00	prescaler is reset; time circuits are frozen
STOP bit is released by user				
0	XX-0 0000 0000 0000		08:00:00	prescaler is now running
	XX-1 0000 0000 0000		08:00:00	-
	XX-0 1000 0000 0000		08:00:00	-
	XX-1 1000 0000 0000		08:00:00	-
	:		:	-
	11-1 1111 1111 1110		08:00:00	-
	00-0 0000 0000 0001		08:00:01	0 to 1 transition of F ₁₄ increments the time circuits
	10-0 0000 0000 0001		08:00:01	-
	:		:	-
	11-1 1111 1111 1111		08:00:01	-
	00-0 0000 0000 0000		08:00:01	-
	10-0 0000 0000 0000		08:00:01	-
	:		:	-
	11-1 1111 1111 1110		08:00:01	-
	00-0 0000 0000 0001		08:00:02	0 to 1 transition of F ₁₄ increments the time circuits

[1] F₀ is clocked at 32.768 kHz.

The first increment of the time circuits is between 0.507813 s and 0.507935 s after STOP bit is released. The uncertainty is caused by the prescaler bits F₀ and F₁ not being reset (see [Table 30](#)) and the unknown state of the 32 kHz clock.

9. Characteristics of the I²C-bus

The I²C-bus is for bidirectional, two-line communication between different ICs or modules. The two lines are a Serial Data Line (SDA) and a Serial CLock line (SCL). Both lines must be connected to a positive supply via a pull-up resistor. Data transfer may be initiated only when the bus is not busy.

9.1 Bit transfer

One data bit is transferred during each clock pulse. The data on the SDA line must remain stable during the HIGH period of the clock pulse, as changes in the data line at this time will be interpreted as a control signal (see [Figure 12](#)).

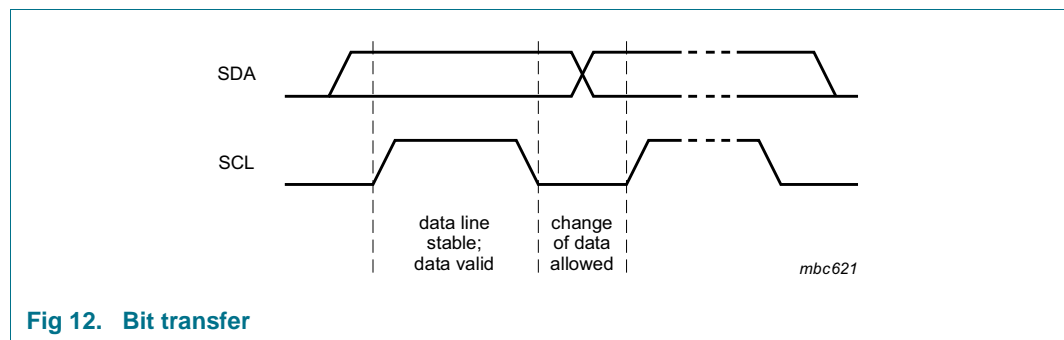


Fig 12. Bit transfer

9.2 START and STOP conditions

Both data and clock lines remain HIGH when the bus is not busy. A HIGH-to-LOW transition of the data line, while the clock is HIGH, is defined as the START condition (S). A LOW-to-HIGH transition of the data line, while the clock is HIGH, is defined as the STOP condition (P); see [Figure 13](#).

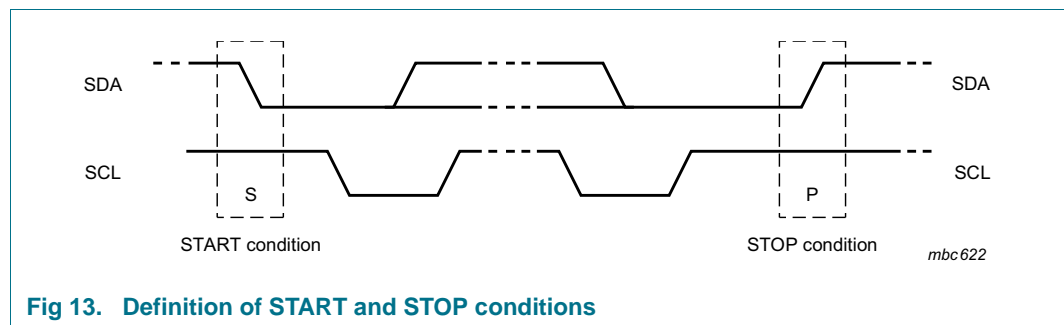


Fig 13. Definition of START and STOP conditions

9.3 System configuration

A device generating a message is a transmitter; a device receiving a message is a receiver. The device that controls the message is the master; and the devices which are controlled by the master are the slaves (see [Figure 14](#)).

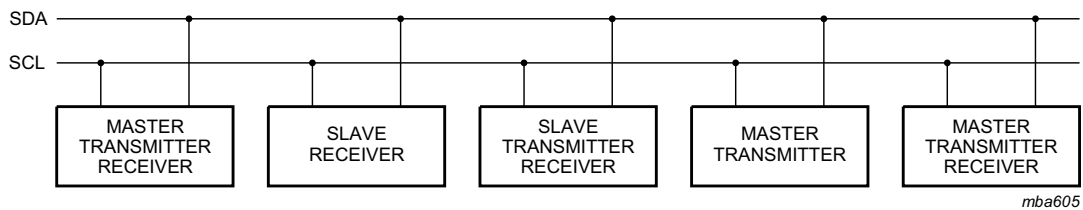


Fig 14. System configuration

9.4 Acknowledge

The number of data bytes transferred between the START and STOP conditions from transmitter to receiver is unlimited. Each byte of eight bits is followed by an acknowledge cycle.

- A slave receiver, which is addressed, must generate an acknowledge after the reception of each byte.
- Also a master receiver must generate an acknowledge after the reception of each byte that has been clocked out of the slave transmitter.
- The device that acknowledges must pull-down the SDA line during the acknowledge clock pulse, so that the SDA line is stable LOW during the HIGH period of the acknowledge related clock pulse (set-up and hold times must be taken into consideration).
- A master receiver must signal an end of data to the transmitter by not generating an acknowledge on the last byte that has been clocked out of the slave. In this event the transmitter must leave the data line HIGH to enable the master to generate a STOP condition.

Acknowledgement on the I²C-bus is shown in [Figure 15](#).

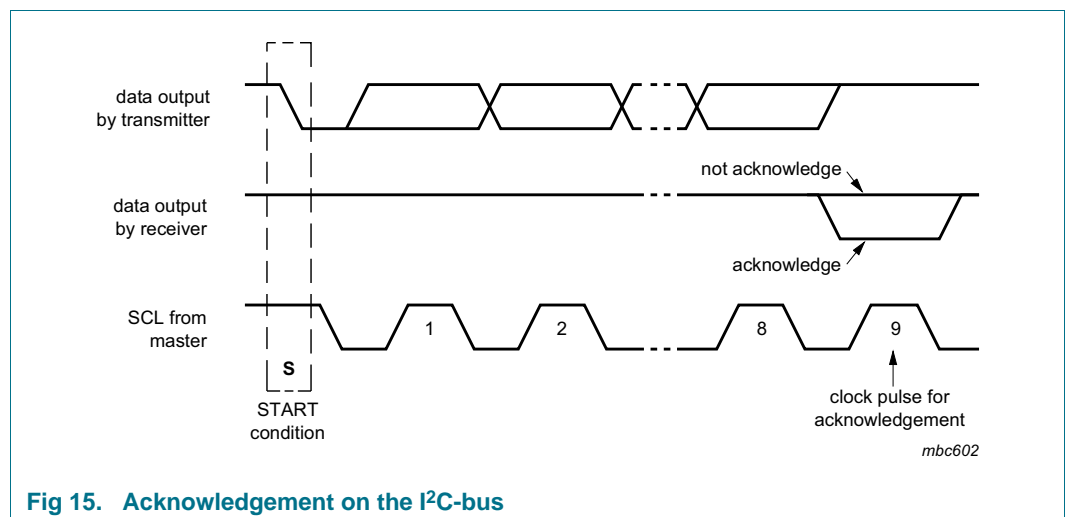


Fig 15. Acknowledgement on the I²C-bus

9.5 I²C-bus protocol

9.5.1 Addressing

Before any data is transmitted on the I²C-bus, the device which should respond is addressed first. The addressing is always carried out with the first byte transmitted after the start procedure.

The PCA8565A acts as a slave receiver or slave transmitter. Therefore, the clock signal SCL is only an input signal, but the data signal SDA is a bidirectional line.

Two slave addresses are reserved for the PCA8565A:

Read: A3h (10100011)

Write: A2h (10100010)

The PCA8565A slave address is shown in [Figure 16](#).

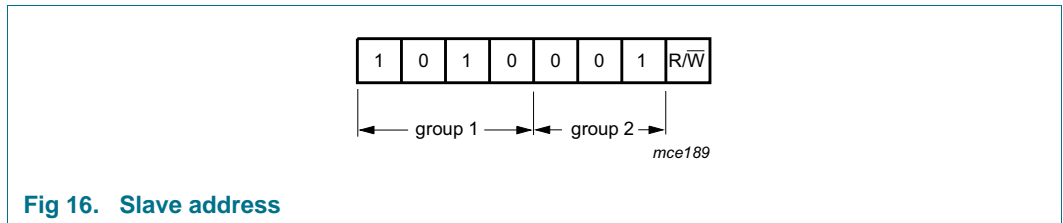


Fig 16. Slave address

9.5.2 Clock and calendar READ or WRITE cycles

The I²C-bus configuration for the different PCA8565A READ and WRITE cycles is shown in [Figure 17](#), [Figure 18](#), and [Figure 19](#). The word address is a 4-bit value that defines which register is to be accessed next. The upper four bits of the word address are not used.

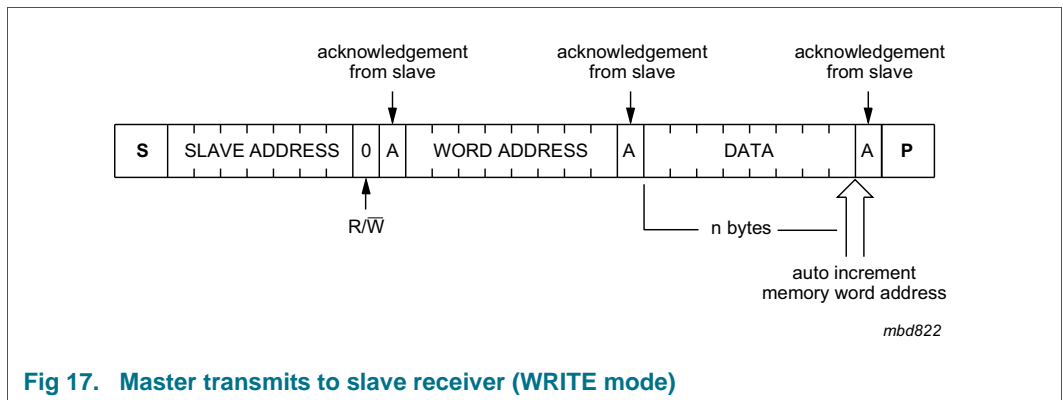
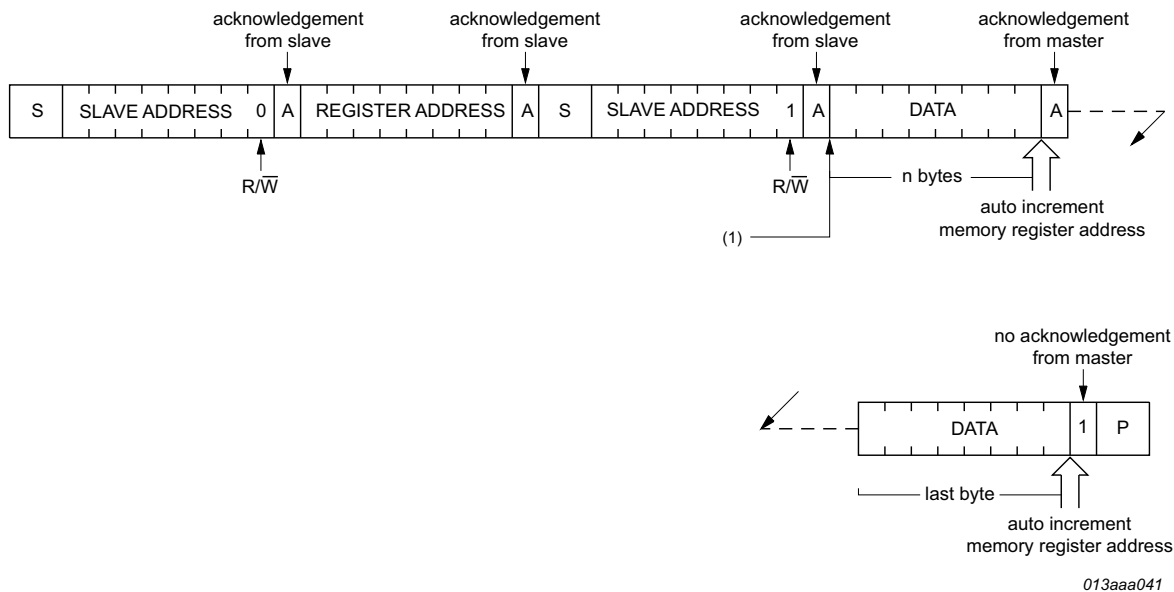


Fig 17. Master transmits to slave receiver (WRITE mode)



(1) At this moment master transmitter becomes master receiver and PCA8565A slave receiver becomes slave transmitter.

Fig 18. Master reads after setting word address (write word address; READ data)

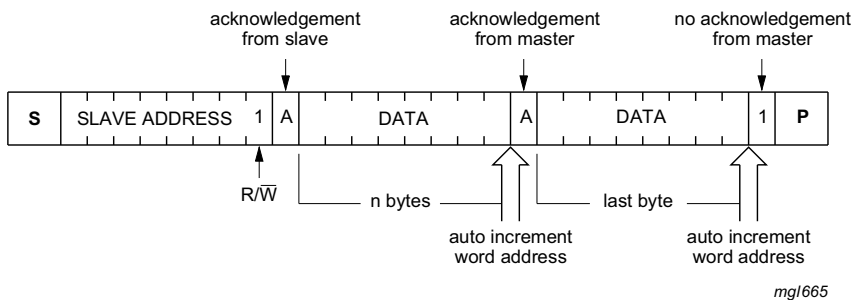


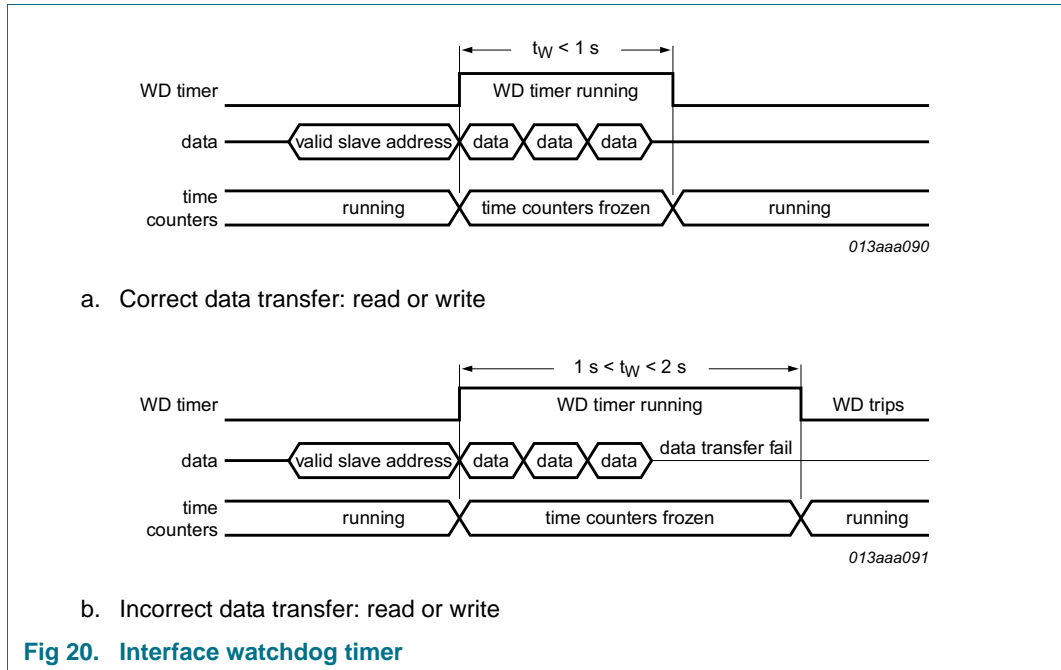
Fig 19. Master reads slave immediately after first byte (READ mode)

9.5.3 Interface watchdog timer

During read/write operations, the time counting circuits are frozen. To prevent a situation where the accessing device becomes locked and does not clear the interface, the PCA8565A has a built in watchdog timer. Should the interface be active for more than 1 s from the time a valid slave address is transmitted, then the PCA8565A will automatically clear the interface and allow the time counting circuits to continue counting.

The watchdog is implemented to prevent the excessive loss of time due to interface access failure e.g. if main power is removed from a battery backed-up system during an interface access.

Each time the watchdog period is exceeded, 1 s will be lost from the time counters. The watchdog will trigger between 1 s and 2 s after receiving a valid slave address.



10. Internal circuitry

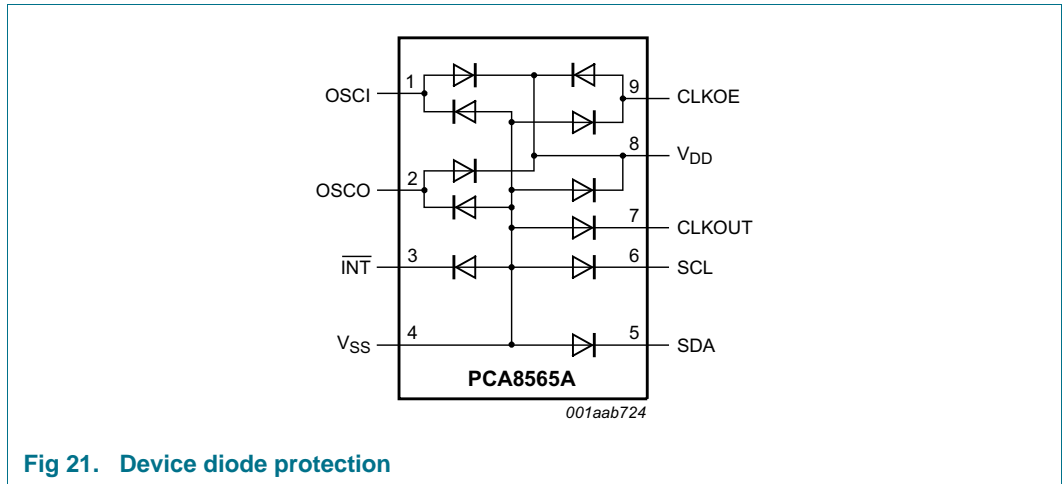


Fig 21. Device diode protection

11. Safety notes

CAUTION



This device is sensitive to ElectroStatic Discharge (ESD). Observe precautions for handling electrostatic sensitive devices.

Such precautions are described in the *ANSI/ESD S20.20*, *IEC/ST 61340-5*, *JESD625-A* or equivalent standards.

CAUTION



Semiconductors are light sensitive. Exposure to light sources can cause the IC to malfunction. The IC must be protected against light. The protection must be applied to all sides of the IC.

12. Limiting values

Table 31. Limiting values

In accordance with the Absolute Maximum Rating System (IEC 60134).

Symbol	Parameter	Conditions	Min	Max	Unit	
V _{DD}	supply voltage		-0.5	+6.5	V	
I _{DD}	supply current		-50	+50	mA	
I _{SS}	ground supply current		-50	+50	mA	
V _I	input voltage		-0.5	+6.5	V	
V _O	output voltage		-0.5	+6.5	V	
I _I	input current		-10	+10	mA	
I _O	output current		-10	+10	mA	
P _{tot}	total power dissipation		-	300	mW	
V _{ESD}	electrostatic discharge voltage	HBM [1]	-	±3000	V	
		MM [2]	-	±250	V	
I _{lu}	latch-up current	all pins but OSCI	[3]	100	mA	
T _{stg}	storage temperature		[4]	-65	+150	°C

[1] Pass level; Human Body Model (HBM) according to [Ref. 4 "JESD22-A114"](#).

[2] Pass level; Machine Model (MM), according to [Ref. 5 "JESD22-A115"](#).

[3] Pass level; latch-up testing, according to [Ref. 7 "JESD78"](#) at maximum ambient temperature (T_{amb(max)} = +125 °C).

[4] According to the store and transport requirements (see [Ref. 11 "UM10569"](#)) the devices have to be stored at a temperature of +8 °C to +45 °C and a humidity of 25 % to 75 %.

13. Static characteristics

Table 32. Static characteristics

$V_{DD} = 1.8\text{ V to }5.5\text{ V}$; $V_{SS} = 0\text{ V}$; $T_{amb} = -40\text{ }^{\circ}\text{C to }+125\text{ }^{\circ}\text{C}$; $f_{osc} = 32.768\text{ kHz}$; quartz $R_s = 40\text{ k}\Omega$; $C_L = 8\text{ pF}$; unless otherwise specified.

Symbol	Parameter	Conditions	Min	Typ	Max	Unit	
Supplies							
V_{DD}	supply voltage	I ² C-bus active; $f_{SCL} = 400\text{ kHz}$	1.8	-	5.5	V	
		for clock data integrity	V_{low}	-	5.5	V	
I_{DD}	supply current	interface active; $T_{amb} = -40\text{ }^{\circ}\text{C to }+125\text{ }^{\circ}\text{C}$					
		$f_{SCL} = 400\text{ kHz}$	-	100	250	μA	
		$f_{SCL} = 100\text{ kHz}$	-	25	100	μA	
		interface inactive ($f_{SCL} = 0\text{ Hz}$); [1][2] CLKOUT = V_{DD}					
		$T_{amb} = 125\text{ }^{\circ}\text{C}$					
		$V_{DD} = 5.0\text{ V}$	-	1100	1800	nA	
		$V_{DD} = 3.0\text{ V}$	-	1000	1600	nA	
		$V_{DD} = 2.0\text{ V}$	-	950	1500	nA	
		$T_{amb} = 105\text{ }^{\circ}\text{C}$					
		$V_{DD} = 5.0\text{ V}$	-	850	1500	nA	
		$V_{DD} = 3.0\text{ V}$	-	775	1300	nA	
		$V_{DD} = 2.0\text{ V}$	-	750	1200	nA	
		$T_{amb} = 85\text{ }^{\circ}\text{C}$					
		$V_{DD} = 5.0\text{ V}$	-	600	1200	nA	
		$V_{DD} = 3.0\text{ V}$	-	550	1000	nA	
		$V_{DD} = 2.0\text{ V}$	-	550	900	nA	
		$T_{amb} = 25\text{ }^{\circ}\text{C}$					
		$V_{DD} = 5.0\text{ V}$	-	600	1200	nA	
		$V_{DD} = 3.0\text{ V}$	-	550	1000	nA	
		$V_{DD} = 2.0\text{ V}$	-	550	900	nA	
		$T_{amb} = -40\text{ }^{\circ}\text{C}$					
		$V_{DD} = 5.0\text{ V}$	-	850	1500	nA	
		$V_{DD} = 3.0\text{ V}$	-	775	1300	nA	
$V_{DD} = 2.0\text{ V}$	-	750	1200	nA			
$T_{amb} = -40\text{ }^{\circ}\text{C to }+85\text{ }^{\circ}\text{C}$							
$V_{DD} = 1.8\text{ V}$	-	550	-	nA			

Table 32. Static characteristics ...continued

$V_{DD} = 1.8\text{ V to }5.5\text{ V}$; $V_{SS} = 0\text{ V}$; $T_{amb} = -40\text{ °C to }+125\text{ °C}$; $f_{osc} = 32.768\text{ kHz}$; quartz $R_s = 40\text{ k}\Omega$; $C_L = 8\text{ pF}$; unless otherwise specified.

Symbol	Parameter	Conditions	Min	Typ	Max	Unit
I _{DD}	supply current	interface inactive ($f_{SCL} = 0\text{ Hz}$); CLKOUT enabled at 32 kHz [1][2]				
		$T_{amb} = 125\text{ °C}$				
		$V_{DD} = 5.0\text{ V}$	-	1300	2500	nA
		$V_{DD} = 3.0\text{ V}$	-	1100	1900	nA
		$V_{DD} = 2.0\text{ V}$	-	1000	1700	nA
		$T_{amb} = 105\text{ °C}$				
		$V_{DD} = 5.0\text{ V}$	-	1100	2200	nA
		$V_{DD} = 3.0\text{ V}$	-	900	1600	nA
		$V_{DD} = 2.0\text{ V}$	-	800	1400	nA
		$T_{amb} = 85\text{ °C}$				
		$V_{DD} = 5.0\text{ V}$	-	900	1900	nA
		$V_{DD} = 3.0\text{ V}$	-	700	1300	nA
		$V_{DD} = 2.0\text{ V}$	-	600	1100	nA
		$T_{amb} = 25\text{ °C}$				
		$V_{DD} = 5.0\text{ V}$	-	900	1900	nA
		$V_{DD} = 3.0\text{ V}$	-	700	1300	nA
		$V_{DD} = 2.0\text{ V}$	-	600	1100	nA
$T_{amb} = -40\text{ °C}$						
$V_{DD} = 5.0\text{ V}$	-	1100	2200	nA		
$V_{DD} = 3.0\text{ V}$	-	900	1600	nA		
$V_{DD} = 2.0\text{ V}$	-	800	1400	nA		
Inputs						
V _{IL}	LOW-level input voltage		$V_{SS} - 0.3$	-	$0.3V_{DD}$	V
V _{IH}	HIGH-level input voltage	pins SCL, SDA, CLKOE, OSCI	$0.7V_{DD}$	-	-	V
I _{LI}	input leakage current	pins SCL, SDA; $V_I = V_{DD}$ or V_{SS}	-1	0	+1	μA
C _i	input capacitance		[3]	-	7	pF
Outputs						
I _{OL}	LOW-level output current	output sink current; $V_{OL} = 0.4\text{ V}$; $V_{DD} = 5\text{ V}$				
		pin SDA	3	-	-	mA
		pin $\overline{\text{INT}}$	1	-	-	mA
		pin CLKOUT; $V_O = V_{DD}$ or V_{SS}	1	-	-	mA
I _{LO}	output leakage current		-1	0	+1	μA
Voltage detector and temperature						
V _{low}	low voltage		-	0.9	1.7	V
T _{amb}	ambient temperature		-40	-	+125	°C

[1] Timer source clock = 1/60 Hz, level of pins SCL and SDA is V_{DD} or V_{SS} .

[2] Worst case is at high temperature and high supply voltage.

[3] Tested on sample basis.

14. Dynamic characteristics

Table 33. Dynamic characteristics

$V_{DD} = 1.8\text{ V to }5.5\text{ V}$; $V_{SS} = 0\text{ V}$; $T_{amb} = -40\text{ }^{\circ}\text{C to }+125\text{ }^{\circ}\text{C}$; $f_{osc} = 32.768\text{ kHz}$; quartz $R_s = 40\text{ k}\Omega$; $C_L = 8\text{ pF}$; unless otherwise specified.

Symbol	Parameter	Conditions	Min	Typ	Max	Unit
Oscillator						
$C_{L(itg)}$	integrated load capacitance	[1]	6	8	10	pF
$\Delta f_{osc}/f_{osc}$	relative oscillator frequency variation	$\Delta V_{DD} = 200\text{ mV}$; $T_{amb} = 25\text{ }^{\circ}\text{C}$	-	0.2	-	ppm
CLKOUT output						
δ_{CLKOUT}	duty cycle on pin CLKOUT	[2]	-	50	-	%
Timing characteristics: I²C-bus [3][4]						
f_{SCL}	SCL clock frequency	[5]	-	-	400	kHz
$t_{HD,STA}$	hold time (repeated) START condition		0.6	-	-	μs
$t_{SU,STA}$	set-up time for a repeated START condition		0.6	-	-	μs
t_{LOW}	LOW period of the SCL clock		1.3	-	-	μs
t_{HIGH}	HIGH period of the SCL clock		0.6	-	-	μs
t_r	rise time	of SCL and SDA signals	-	-	0.3	μs
t_f	fall time	of SCL and SDA signals	-	-	0.3	μs
$t_{SU,DAT}$	data set-up time		100	-	-	ns
$t_{HD,DAT}$	data hold time		0	-	-	ns
$t_{SU,STO}$	set-up time for STOP condition		0.6	-	-	μs
$t_{w(\text{spike})}$	spike pulse width	tolerable	-	-	50	ns
C_b	capacitive load for each bus line		-	-	400	pF

[1] Integrated load capacitance, $C_{L(itg)}$, is a calculation of C_{OSCI} and C_{OSCO} in series: $C_{L(itg)} = \frac{C_{OSCI} \cdot C_{OSCO}}{C_{OSCI} + C_{OSCO}}$.

[2] Unspecified for $f_{CLKOUT} = 32.768\text{ kHz}$.

[3] All timing values are valid within the operating supply voltage range at ambient temperature and referenced to V_{IL} and V_{IH} with an input voltage swing of V_{SS} to V_{DD} .

[4] A detailed description of the I²C-bus specification is given in [Ref. 9 "UM10204"](#).

[5] I²C-bus access time between two starts or between a start and a stop condition to this device must be less than one second.

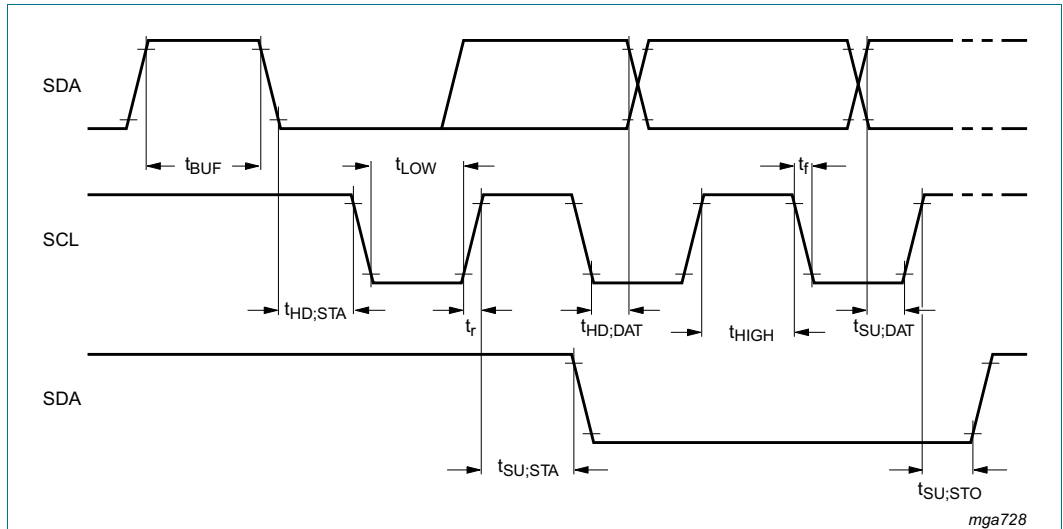
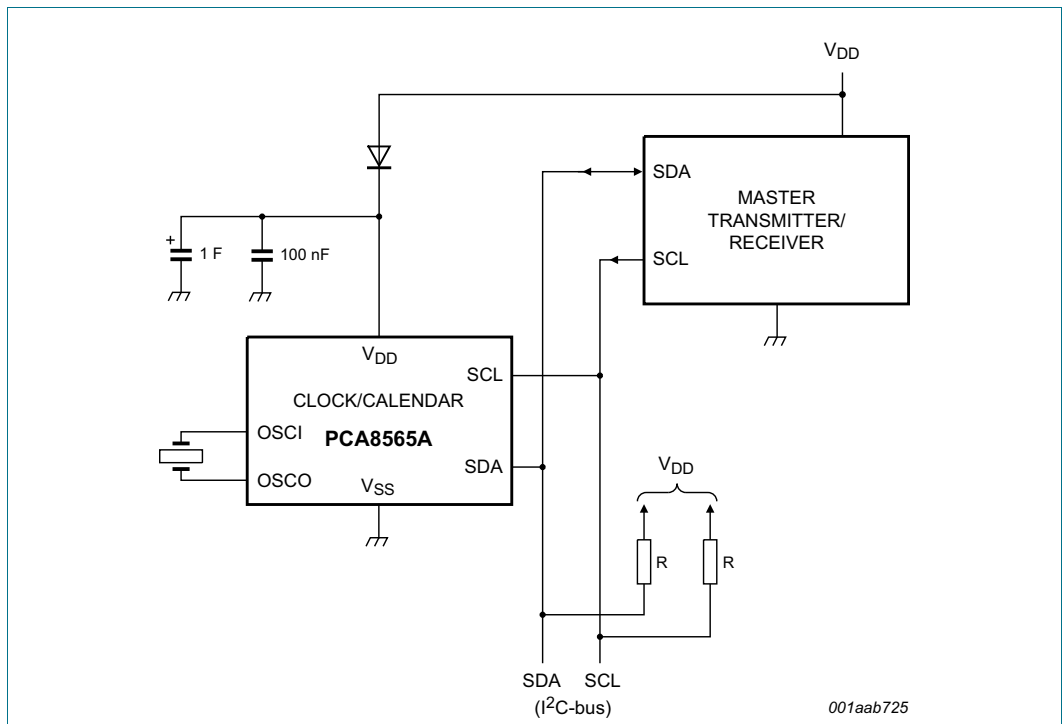


Fig 22. I²C-bus timing waveforms

15. Application information



Connect CLKOE to an appropriate level.

Fig 23. Application diagram

16. Test information

16.1 Quality information

This product has been qualified in accordance with the Automotive Electronics Council (AEC) standard *Q100 - Failure mechanism based stress test qualification for integrated circuits*, and is suitable for use in automotive applications.

17. Bare die outline

Wire bond die; 9 bonding pads

PCA8565AU

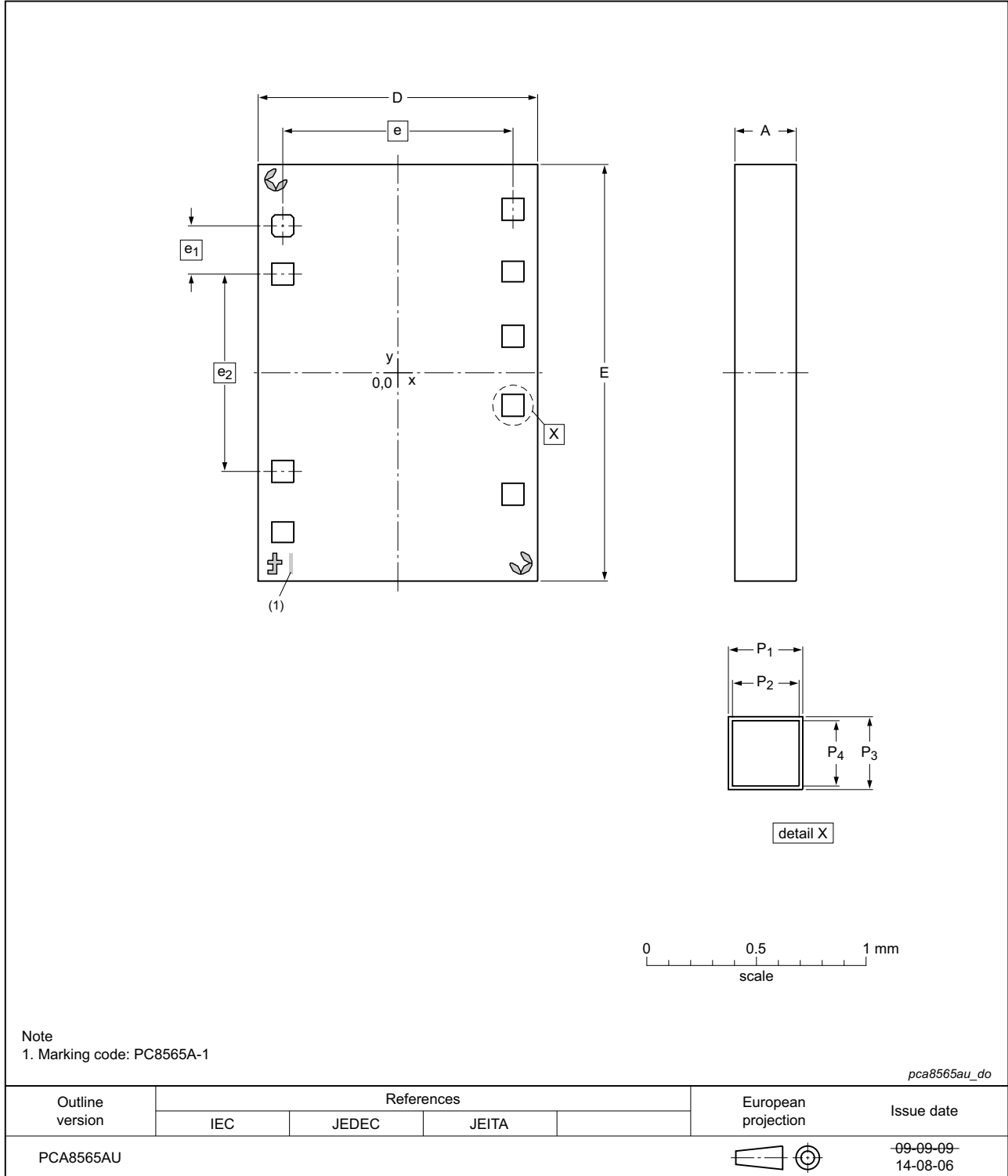


Fig 24. Bare die outline

Table 34. Dimensions of PCA8565AU

Original dimensions are in mm. Chip dimensions including sawline.

Unit (mm)	A	D	E	e	e ₁	e ₂	P ₁	P ₂	P ₃	P ₄
max	-	-	-	-	-	-	-	-	-	-
nom	0.28	1.26	1.89	1.05	0.22	0.9	0.1	0.09	0.1	0.09
min	-	-	-	-	-	-	-	-	-	-

Table 35. Pin description

All x/y coordinates represent the position of the center of each pad with respect to the center (x/y = 0) of the chip; see [Figure 24](#).

Symbol	Pad	X	Y
OSCI	1	-523.0 μm	689.4 μm
OSCO	2	-523.0 μm	469.4 μm
$\overline{\text{INT}}$	3	-523.0 μm	-429.8 μm
V _{SS}	4	-523.0 μm	-684.4 μm
SDA	5	524.9 μm	-523.8 μm
SCL	6	524.9 μm	-138.6 μm
CLKOUT	7	524.9 μm	162.5 μm
V _{DD}	8	524.9 μm	443.3 μm
CLKOE	9	524.9 μm	716.3 μm

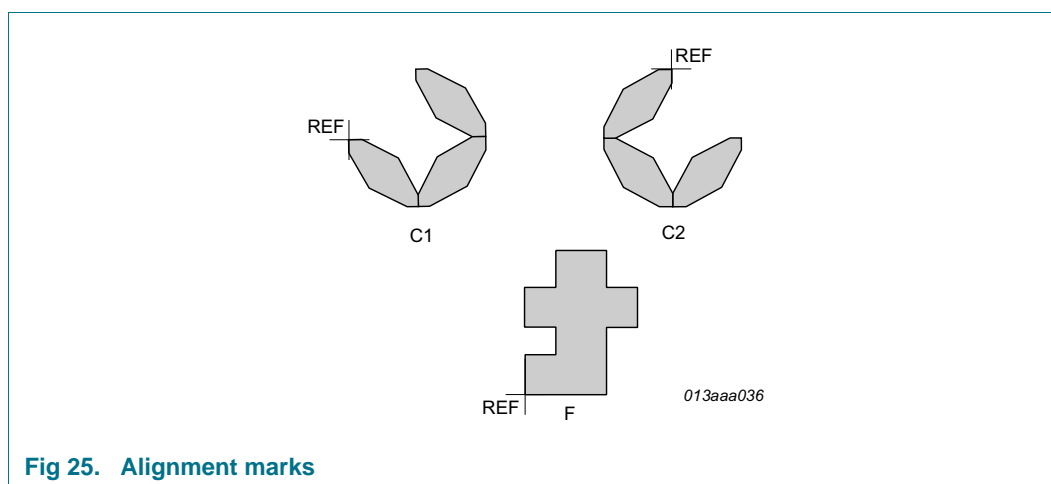


Fig 25. Alignment marks

Table 36. Alignment mark description

All x/y coordinates represent the position of the REF point (see [Figure 25](#)) with respect to the center (x/y = 0) of the chip; see [Figure 24](#).

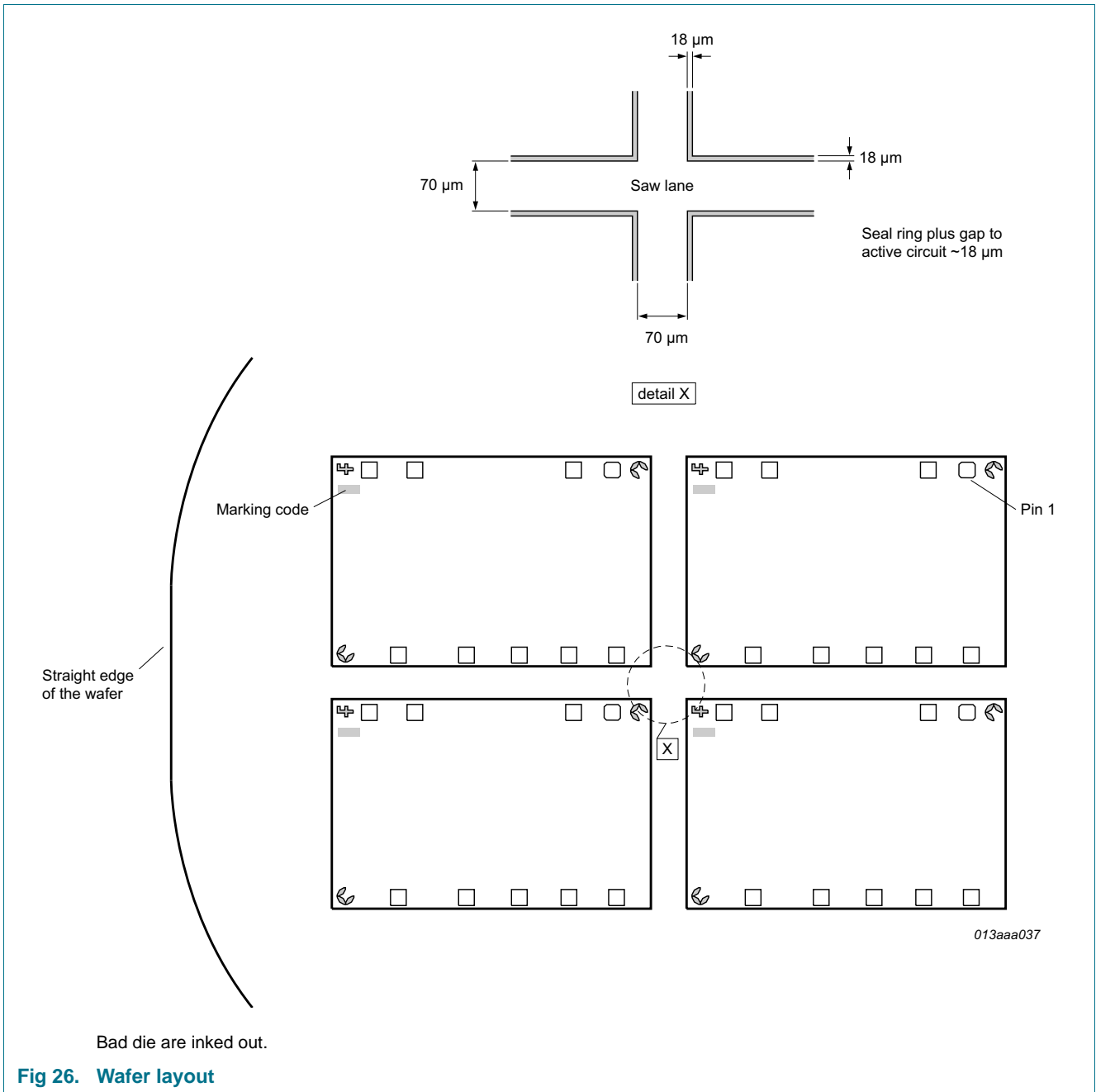
Symbol	Size (μm)	X	Y
C1	100 × 100	465.2 μm	-826.3 μm
C2	100 × 100	-523.5 μm	890.0 μm
F	90 × 117	-569.9 μm	-885.5 μm

18. Handling information

All input and output pins are protected against ElectroStatic Discharge (ESD) under normal handling. When handling Metal-Oxide Semiconductor (MOS) devices ensure that all normal precautions are taken as described in *JESD625-A*, *IEC 61340-5* or equivalent standards.

19. Packing information

19.1 Wafer information



20. Appendix

20.1 Real-Time Clock selection

Table 37. Selection of Real-Time Clocks

Type name	Alarm, Timer, Watchdog	Interrupt output	Interface	I _{DD} , typical (nA)	Battery backup	Timestamp, tamper input	AEC-Q100 compliant	Special features	Packages
PCF8563	X	1	I ² C	250	-	-	-	-	SO8, TSSOP8, HVSON10
PCF8564A	X	1	I ² C	250	-	-	-	integrated oscillator caps	WLCSP
PCA8565	X	1	I ² C	600	-	-	grade 1	high robustness, T _{amb} = -40 °C to 125 °C	TSSOP8, HVSON10
PCA8565A	X	1	I ² C	600	-	-	-	integrated oscillator caps, T _{amb} = -40 °C to 125 °C	WLCSP
PCF85063	-	1	I ² C	220	-	-	-	basic functions only, no alarm	HXSON8
PCF85063A	X	1	I ² C	220	-	-	-	tiny package	SO8, DFN2626-10
PCF85063B	X	1	SPI	220	-	-	-	tiny package	DFN2626-10
PCF85263A	X	2	I ² C	230	X	X	-	time stamp, battery backup, stopwatch 1/100 s	SO8, TSSOP10, TSSOP8, DFN2626-10
PCF85263B	X	2	SPI	230	X	X	-	time stamp, battery backup, stopwatch 1/100s	TSSOP10, DFN2626-10
PCF85363A	X	2	I ² C	230	X	X	-	time stamp, battery backup, stopwatch 1/100s, 64 Byte RAM	TSSOP10, DFN2626-10
PCF85363B	X	2	SPI	230	X	X	-	time stamp, battery backup, stopwatch 1/100s, 64 Byte RAM	TSSOP10, DFN2626-10
PCF8523	X	2	I ² C	150	X	-	-	lowest power 150 nA in operation, FM+ 1 MHz	SO8, HVSON8, TSSOP14, WLCSP
PCF2123	X	1	SPI	100	-	-	-	lowest power 100 nA in operation	TSSOP14, HVQFN16
PCF2127	X	1	I ² C and SPI	500	X	X	-	temperature compensated, quartz built in, calibrated, 512 Byte RAM	SO16

Table 37. Selection of Real-Time Clocks ...continued

Type name	Alarm, Timer, Watchdog	Interrupt output	Interface	I _{DD} , typical (nA)	Battery backup	Timestamp, tamper input	AEC-Q100 compliant	Special features	Packages
PCF2127A	X	1	I ² C and SPI	500	X	X	-	temperature compensated, quartz built in, calibrated, 512 Byte RAM	SO20
PCF2129	X	1	I ² C and SPI	500	X	X	-	temperature compensated, quartz built in, calibrated	SO16
PCF2129A	X	1	I ² C and SPI	500	X	X	-	temperature compensated, quartz built in, calibrated	SO20
PCA2129	X	1	I ² C and SPI	500	X	X	grade 3	temperature compensated, quartz built in, calibrated	SO16
PCA21125	X	1	SPI	820	-	-	grade 1	high robustness, T _{amb} = -40 °C to 125 °C	TSSOP14

21. Abbreviations

Table 38. Abbreviations

Acronym	Description
AEC	Automotive Electronics Council
BCD	Binary Coded Decimal
CMOS	Complementary Metal Oxide Semiconductor
HBM	Human Body Model
I ² C	Inter-Integrated Circuit
IC	Integrated Circuit
MM	Machine Model
MOS	Metal Oxide Semiconductor
MSB	Most Significant Bit
POR	Power-On Reset
RTC	Real Time Clock
SCL	Serial CLock line
SDA	Serial Data Line

22. References

- [1] **AN10706** — Handling bare die
- [2] **IEC 60134** — Rating systems for electronic tubes and valves and analogous semiconductor devices
- [3] **IEC 61340-5** — Protection of electronic devices from electrostatic phenomena
- [4] **JESD22-A114** — Electrostatic Discharge (ESD) Sensitivity Testing Human Body Model (HBM)
- [5] **JESD22-A115** — Electrostatic Discharge (ESD) Sensitivity Testing Machine Model (MM)
- [6] **JESD22-C101** — Field-Induced Charged-Device Model Test Method for Electrostatic-Discharge-Withstand Thresholds of Microelectronic Components
- [7] **JESD78** — IC Latch-Up Test
- [8] **JESD625-A** — Requirements for Handling Electrostatic-Discharge-Sensitive (ESDS) Devices
- [9] **UM10204** — I²C-bus specification and user manual
- [10] **UM10301** — User Manual for NXP Real Time Clocks PCF85x3, PCA8565 and PCF2123, PCA2125
- [11] **UM10569** — Store and transport requirements

23. Revision history

Table 39. Revision history

Document ID	Release date	Data sheet status	Change notice	Supersedes
PCA8565A v.3	20140901	Product data sheet	-	PCA8565A v.2
Modifications:	<ul style="list-style-type: none">• The format of this data sheet has been redesigned to comply with the new identity guidelines of NXP Semiconductors.• Legal texts have been adapted to the new company name where appropriate.• Removed obsolete product type			
PCA8565A v.2	20091204	Product data sheet	-	PCA8565A v.1
PCA8565A v.1	20080222	Product data sheet	-	-

24. Legal information

24.1 Data sheet status

Document status ^{[1][2]}	Product status ^[3]	Definition
Objective [short] data sheet	Development	This document contains data from the objective specification for product development.
Preliminary [short] data sheet	Qualification	This document contains data from the preliminary specification.
Product [short] data sheet	Production	This document contains the product specification.

[1] Please consult the most recently issued document before initiating or completing a design.

[2] The term 'short data sheet' is explained in section "Definitions".

[3] The product status of device(s) described in this document may have changed since this document was published and may differ in case of multiple devices. The latest product status information is available on the Internet at URL <http://www.nxp.com>.

24.2 Definitions

Draft — The document is a draft version only. The content is still under internal review and subject to formal approval, which may result in modifications or additions. NXP Semiconductors does not give any representations or warranties as to the accuracy or completeness of information included herein and shall have no liability for the consequences of use of such information.

Product specification — The information and data provided in a Product data sheet shall define the specification of the product as agreed between NXP Semiconductors and its customer, unless NXP Semiconductors and customer have explicitly agreed otherwise in writing. In no event however, shall an agreement be valid in which the NXP Semiconductors product is deemed to offer functions and qualities beyond those described in the Product data sheet.

Short data sheet — A short data sheet is an extract from a full data sheet with the same product type number(s) and title. A short data sheet is intended for quick reference only and should not be relied upon to contain detailed and full information. For detailed and full information see the relevant full data sheet, which is available on request via the local NXP Semiconductors sales office. In case of any inconsistency or conflict with the short data sheet, the full data sheet shall prevail.

24.3 Disclaimers

Limited warranty and liability — Information in this document is believed to be accurate and reliable. However, NXP Semiconductors does not give any representations or warranties, expressed or implied, as to the accuracy or completeness of such information and shall have no liability for the consequences of use of such information. NXP Semiconductors takes no responsibility for the content in this document if provided by an information source outside of NXP Semiconductors.

In no event shall NXP Semiconductors be liable for any indirect, incidental, punitive, special or consequential damages (including - without limitation - lost profits, lost savings, business interruption, costs related to the removal or replacement of any products or rework charges) whether or not such damages are based on tort (including negligence), warranty, breach of contract or any other legal theory.

Notwithstanding any damages that customer might incur for any reason whatsoever, NXP Semiconductors' aggregate and cumulative liability towards customer for the products described herein shall be limited in accordance with the *Terms and conditions of commercial sale* of NXP Semiconductors.

Right to make changes — NXP Semiconductors reserves the right to make changes to information published in this document, including without limitation specifications and product descriptions, at any time and without notice. This document supersedes and replaces all information supplied prior to the publication hereof.

Suitability for use in automotive applications — This NXP Semiconductors product has been qualified for use in automotive applications. Unless otherwise agreed in writing, the product is not designed, authorized or warranted to be suitable for use in life support, life-critical or safety-critical systems or equipment, nor in applications where failure or malfunction of an NXP Semiconductors product can reasonably be expected to result in personal injury, death or severe property or environmental damage. NXP Semiconductors and its suppliers accept no liability for inclusion and/or use of NXP Semiconductors products in such equipment or applications and therefore such inclusion and/or use is at the customer's own risk.

Applications — Applications that are described herein for any of these products are for illustrative purposes only. NXP Semiconductors makes no representation or warranty that such applications will be suitable for the specified use without further testing or modification.

Customers are responsible for the design and operation of their applications and products using NXP Semiconductors products, and NXP Semiconductors accepts no liability for any assistance with applications or customer product design. It is customer's sole responsibility to determine whether the NXP Semiconductors product is suitable and fit for the customer's applications and products planned, as well as for the planned application and use of customer's third party customer(s). Customers should provide appropriate design and operating safeguards to minimize the risks associated with their applications and products.

NXP Semiconductors does not accept any liability related to any default, damage, costs or problem which is based on any weakness or default in the customer's applications or products, or the application or use by customer's third party customer(s). Customer is responsible for doing all necessary testing for the customer's applications and products using NXP Semiconductors products in order to avoid a default of the applications and the products or of the application or use by customer's third party customer(s). NXP does not accept any liability in this respect.

Limiting values — Stress above one or more limiting values (as defined in the Absolute Maximum Ratings System of IEC 60134) will cause permanent damage to the device. Limiting values are stress ratings only and (proper) operation of the device at these or any other conditions above those given in the Recommended operating conditions section (if present) or the Characteristics sections of this document is not warranted. Constant or repeated exposure to limiting values will permanently and irreversibly affect the quality and reliability of the device.

Terms and conditions of commercial sale — NXP Semiconductors products are sold subject to the general terms and conditions of commercial sale, as published at <http://www.nxp.com/profile/terms>, unless otherwise agreed in a valid written individual agreement. In case an individual agreement is concluded only the terms and conditions of the respective agreement shall apply. NXP Semiconductors hereby expressly objects to applying the customer's general terms and conditions with regard to the purchase of NXP Semiconductors products by customer.

No offer to sell or license — Nothing in this document may be interpreted or construed as an offer to sell products that is open for acceptance or the grant, conveyance or implication of any license under any copyrights, patents or other industrial or intellectual property rights.

Export control — This document as well as the item(s) described herein may be subject to export control regulations. Export might require a prior authorization from competent authorities.

Translations — A non-English (translated) version of a document is for reference only. The English version shall prevail in case of any discrepancy between the translated and English versions.

Bare die — All die are tested on compliance with their related technical specifications as stated in this data sheet up to the point of wafer sawing and are handled in accordance with the NXP Semiconductors storage and transportation conditions. If there are data sheet limits not guaranteed, these will be separately indicated in the data sheet. There are no post-packing tests performed on individual die or wafers.

NXP Semiconductors has no control of third party procedures in the sawing, handling, packing or assembly of the die. Accordingly, NXP Semiconductors assumes no liability for device functionality or performance of the die or systems after third party sawing, handling, packing or assembly of the die. It is the responsibility of the customer to test and qualify their application in which the die is used.

All die sales are conditioned upon and subject to the customer entering into a written die sale agreement with NXP Semiconductors through its legal department.

24.4 Trademarks

Notice: All referenced brands, product names, service names and trademarks are the property of their respective owners.

I²C-bus — logo is a trademark of NXP Semiconductors N.V.

25. Contact information

For more information, please visit: <http://www.nxp.com>

For sales office addresses, please send an email to: salesaddresses@nxp.com

26. Tables

Table 1.	Ordering information	2
Table 2.	Ordering options	2
Table 3.	Marking codes	2
Table 4.	Pin description	4
Table 5.	Register overview	6
Table 6.	Control_status_1 - control and status register 1 (address 00h) bit description	7
Table 7.	Control_status_2 - control and status register 2 (address 01h) bit description	7
Table 8.	Register reset values ^[1]	8
Table 9.	VL_seconds - seconds and clock integrity status register (address 02h) bit description	9
Table 10.	Seconds coded in BCD format	9
Table 11.	Minutes - minutes register (address 03h) bit description	10
Table 12.	Hours - hours register (address 04h) bit description	10
Table 13.	Days - days register (address 05h) bit description	10
Table 14.	Weekdays - weekdays register (address 06h) bit description	11
Table 15.	Weekday assignments	11
Table 16.	Century_months - century flag and months register (address 07h) bit description	11
Table 17.	Month assignments in BCD format	12
Table 18.	Years - years register (08h) bit description	12
Table 19.	Minute_alarm - minute alarm register (address 09h) bit description	15
Table 20.	Hour_alarm - hour alarm register (address 0Ah) bit description	15
Table 21.	Day_alarm - day alarm register (address 0Bh) bit description	16
Table 22.	Weekday_alarm - weekday alarm register (address 0Ch) bit description	16
Table 23.	Timer_control - timer control register (address 0Eh) bit description	17
Table 24.	Timer - timer register (address 0Fh) bit description	17
Table 25.	Timer register bits value range	17
Table 26.	CLKOUT_control - CLKOUT control register (address 0Dh) bit description	18
Table 27.	Flag location in register Control_2	19
Table 28.	Example to clear only AF (bit 3) in register Control_2	19
Table 29.	INT operation (bit TI_TP = 1) ^[1]	20
Table 30.	First increment of time circuits after STOP bit release	22
Table 31.	Limiting values	29
Table 32.	Static characteristics	30
Table 33.	Dynamic characteristics	32
Table 34.	Dimensions of PCA8565AU	36
Table 35.	Pin description	36
Table 36.	Alignment mark description	36
Table 37.	Selection of Real-Time Clocks	39
Table 38.	Abbreviations	41
Table 39.	Revision history	42

27. Figures

Fig 1.	Block diagram of PCA8565A	3
Fig 2.	Pin configuration for PCA8565A	4
Fig 3.	POR override sequence	9
Fig 4.	Voltage-low detection	10
Fig 5.	Data flow for the time function	13
Fig 6.	Access time for read/write operations	13
Fig 7.	Alarm function block diagram	15
Fig 8.	AF timing	18
Fig 9.	Interrupt scheme	19
Fig 10.	STOP bit functional diagram	21
Fig 11.	STOP bit release timing	21
Fig 12.	Bit transfer	23
Fig 13.	Definition of START and STOP conditions	23
Fig 14.	System configuration	24
Fig 15.	Acknowledgement on the I ² C-bus	24
Fig 16.	Slave address	25
Fig 17.	Master transmits to slave receiver (WRITE mode)	25
Fig 18.	Master reads after setting word address (write word address; READ data)	26
Fig 19.	Master reads slave immediately after first byte (READ mode)	26
Fig 20.	Interface watchdog timer	27
Fig 21.	Device diode protection	28
Fig 22.	I ² C-bus timing waveforms	33
Fig 23.	Application diagram	33
Fig 24.	Bare die outline	35
Fig 25.	Alignment marks	36
Fig 26.	Wafer layout	38

28. Contents

1	General description	1	9.3	System configuration	23
2	Features and benefits	1	9.4	Acknowledge	24
3	Applications	1	9.5	I ² C-bus protocol	25
4	Ordering information	2	9.5.1	Addressing	25
4.1	Ordering options	2	9.5.2	Clock and calendar READ or WRITE cycles	25
5	Marking	2	9.5.3	Interface watchdog timer	26
6	Block diagram	3	10	Internal circuitry	28
7	Pinning information	4	11	Safety notes	28
7.1	Pinning	4	12	Limiting values	29
7.2	Pin description	4	13	Static characteristics	30
8	Functional description	5	14	Dynamic characteristics	32
8.1	Register organization	6	15	Application information	33
8.2	Control registers	7	16	Test information	34
8.2.1	Register Control_status_1	7	16.1	Quality information	34
8.2.2	Register Control_status_2	7	17	Bare die outline	35
8.3	Reset	8	18	Handling information	37
8.3.1	Power-On Reset (POR) override	8	19	Packing information	37
8.4	Time and date registers	9	19.1	Wafer information	37
8.4.1	Register VL_seconds	9	20	Appendix	39
8.4.1.1	Voltage-low detector and clock monitor	9	20.1	Real-Time Clock selection	39
8.4.2	Register Minutes	10	21	Abbreviations	41
8.4.3	Register Hours	10	22	References	41
8.4.4	Register Days	10	23	Revision history	42
8.4.5	Register Weekdays	11	24	Legal information	43
8.4.6	Register Century_months	11	24.1	Data sheet status	43
8.4.7	Register Years	12	24.2	Definitions	43
8.5	Setting and reading the time	13	24.3	Disclaimers	43
8.6	Alarm registers	14	24.4	Trademarks	44
8.6.1	Register Minute_alarm	15	25	Contact information	44
8.6.2	Register Hour_alarm	15	26	Tables	45
8.6.3	Register Day_alarm	16	27	Figures	46
8.6.4	Register Weekday_alarm	16	28	Contents	47
8.7	Timer function	16			
8.7.1	Register Timer_control	16			
8.7.2	Register Timer	17			
8.8	Register CLKOUT_control and clock output	17			
8.9	Interrupt output	18			
8.9.1	Bits TF and AF	18			
8.9.1.1	Clearing the alarm flag (AF)	19			
8.9.2	Bits TIE and AIE	19			
8.9.3	Countdown timer interrupts	20			
8.10	External clock (EXT_CLK) test mode	20			
8.11	STOP bit function	21			
9	Characteristics of the I²C-bus	23			
9.1	Bit transfer	23			
9.2	START and STOP conditions	23			

Please be aware that important notices concerning this document and the product(s) described herein, have been included in section 'Legal information'.

© NXP Semiconductors N.V. 2014.

All rights reserved.

For more information, please visit: <http://www.nxp.com>

For sales office addresses, please send an email to: salesaddresses@nxp.com

Date of release: 1 September 2014

Document identifier: PCA8565A

Компания «Океан Электроники» предлагает заключение долгосрочных отношений при поставках импортных электронных компонентов на взаимовыгодных условиях!

Наши преимущества:

- Поставка оригинальных импортных электронных компонентов напрямую с производств Америки, Европы и Азии, а так же с крупнейших складов мира;
- Широкая линейка поставок активных и пассивных импортных электронных компонентов (более 30 млн. наименований);
- Поставка сложных, дефицитных, либо снятых с производства позиций;
- Оперативные сроки поставки под заказ (от 5 рабочих дней);
- Экспресс доставка в любую точку России;
- Помощь Конструкторского Отдела и консультации квалифицированных инженеров;
- Техническая поддержка проекта, помощь в подборе аналогов, поставка прототипов;
- Поставка электронных компонентов под контролем ВП;
- Система менеджмента качества сертифицирована по Международному стандарту ISO 9001;
- При необходимости вся продукция военного и аэрокосмического назначения проходит испытания и сертификацию в лаборатории (по согласованию с заказчиком);
- Поставка специализированных компонентов военного и аэрокосмического уровня качества (Xilinx, Altera, Analog Devices, Intersil, Interpoint, Microsemi, Actel, Aeroflex, Peregrine, VPT, Syfer, Eurofarad, Texas Instruments, MS Kennedy, Miteq, Cobham, E2V, MA-COM, Hittite, Mini-Circuits, General Dynamics и др.);

Компания «Океан Электроники» является официальным дистрибьютором и эксклюзивным представителем в России одного из крупнейших производителей разъемов военного и аэрокосмического назначения «JONHON», а так же официальным дистрибьютором и эксклюзивным представителем в России производителя высокотехнологичных и надежных решений для передачи СВЧ сигналов «FORSTAR».



JONHON

«JONHON» (основан в 1970 г.)

Разъемы специального, военного и аэрокосмического назначения:

(Применяются в военной, авиационной, аэрокосмической, морской, железнодорожной, горно- и нефтедобывающей отраслях промышленности)

«FORSTAR» (основан в 1998 г.)

ВЧ соединители, коаксиальные кабели, кабельные сборки и микроволновые компоненты:

(Применяются в телекоммуникациях гражданского и специального назначения, в средствах связи, РЛС, а так же военной, авиационной и аэрокосмической отраслях промышленности).



Телефон: 8 (812) 309-75-97 (многоканальный)

Факс: 8 (812) 320-03-32

Электронная почта: ocean@oceanchips.ru

Web: <http://oceanchips.ru/>

Адрес: 198099, г. Санкт-Петербург, ул. Калинина, д. 2, корп. 4, лит. А