

---

## 150mA Voltage Regulator (Wide Input Voltage Range)

---

NO.EA-100-151027

### OUTLINE

The R1154x series are CMOS-based voltage regulator (VR) ICs. The R1154x has features of high output voltage accuracy and ultra-low supply current. A peak current limit circuit, a short current limit circuit, and a thermal shutdown circuit are built in the R1154x series.

The regulator output voltage is fixed in the R1154xxxB, while adjustable type is the R1154x001C. Output voltage accuracy is  $\pm 2.0\%$ .

Since the packages for these ICs are DFN1616-6, SOT-23-5, and SOT-89-5, high density mounting of the ICs on boards is possible.

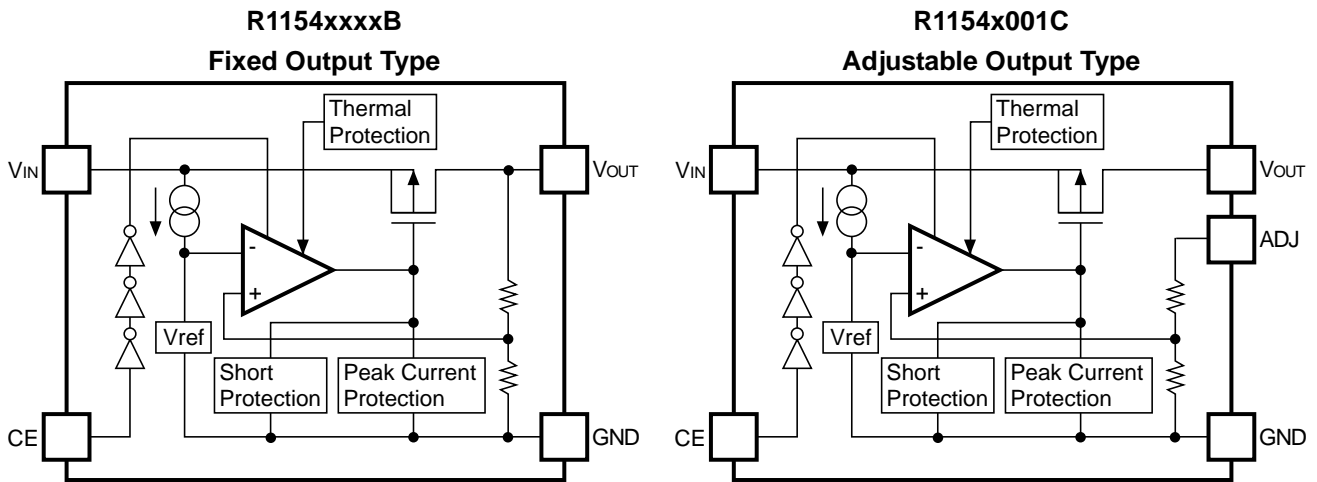
### FEATURES

- Supply Current .....Typ.  $5.0\mu\text{A}$
- Standby Current .....Typ.  $0.1\mu\text{A}$
- Output Voltage Accuracy..... $\pm 2.0\%$
- Wide Output Voltage Range .....2.5V to 12.0V (0.1V steps) (xxxB)  
adjustable in the range of 2.5V to  $V_{\text{IN}}$  or 24.0V (001C)  
(For other voltages, please refer to MARK INFORMATION.)
- Input Voltage .....Max. 24.0V
- Output Current .....Min. 140mA ( $V_{\text{IN}}=V_{\text{OUT}}+2.0\text{V}$ , 2.5V Output type)  
Min. 150mA ( $V_{\text{IN}}=V_{\text{OUT}}+2.0\text{V}$ , 3.0V Output type)
- Package .....DFN1616-6, SOT-23-5, SOT-89-5
- Built-in Peak Current Limit Circuit
- Built-in Short Current Limit Circuit
- Built-in Thermal Shutdown Circuit

### APPLICATIONS

- Power source for home appliances such as refrigerators, rice cookers, Electronic water warmers, etc.
- Power source for car audio equipment, car navigation system, and ETC system.
- Power source for notebook PCs, digital TVs, cordless phones, and LAN system.
- Power source for copiers, printers, facsimiles, and scanners.

## BLOCK DIAGRAMS



## SELECTION GUIDE

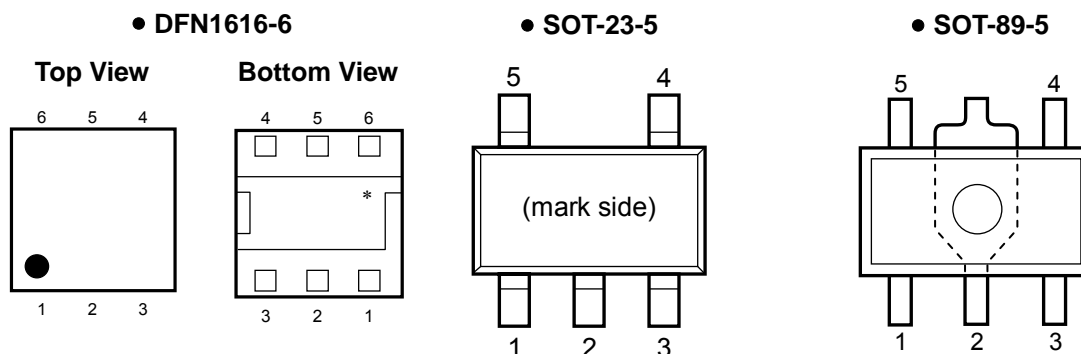
The output voltage can be selected at the user's request.

Product Name	Package	Quantity per Reel	Pb Free	Halogen Free
R1154Lxxx*-TR	DFN1616-6	5,000 pcs	Yes	Yes
R1154Nxxx*-TR-FE	SOT-23-5	3,000 pcs	Yes	Yes
R1154Hxxx*-T1-FE	SOT-89-5	1,000 pcs	Yes	Yes

xxx : The output voltage can be designated in the range from 2.5V(025) to 12.0V(120) in 0.1V steps.  
 (For other voltages, please refer to MARK INFORMATIONS.)  
 The output voltage adjustable type is fixed at 001 (Reference voltage=2.5V)

\* : (B) Fixed Output Type  
 (C) Adjustable Output Type

## PIN CONFIGURATION



## PIN DESCRIPTION

### • DFN1616-6

Pin No	Symbol	Description	
1	$V_{DD}$	Input Pin	
2	NC	No Connection	
3	$V_{OUT}$	Voltage Regulator Output Pin	
4	CE	Chip Enable Pin	
5	NC	R1154LxxxB (B version)	No Connection
	ADJ	R1154L001C (C version)	Reference Voltage of Adjustable Output Pin
6	GND	Ground Pin	

\*) Tab is GND level. (They are connected to the reverse side of this IC.)

The tab is better to be connected to the GND, but leaving it open is also acceptable.

### • SOT-23-5

Pin No	Symbol	Description	
1	$V_{OUT}$	Voltage Regulator Output Pin	
2	GND	Ground Pin	
3	$V_{DD}$	Input Pin	
4	NC	R1154NxxxB (B version)	No Connection
	ADJ	R1154N001C (C version)	Reference Voltage of Adjustable Output Pin
5	CE	Chip Enable Pin	

### • SOT-89-5

Pin No	Symbol	Description	
1	$V_{OUT}$	Voltage Regulator Output Pin	
2	GND	Ground Pin	
3	CE	Chip Enable Pin	
4	NC	R1154HxxxB (B version)	No Connection
	ADJ	R1154H001C (C version)	Reference Voltage of Adjustable Output Pin
5	$V_{DD}$	Input Pin	

## ABSOLUTE MAXIMUM RATINGS

Symbol	Item	Rating	Unit
$V_{IN}$	Input Voltage	26.0	V
$V_{CE}$	Input Voltage (CE Input Pin)	-0.3 to $V_{IN}+0.3$	V
$V_{OUT}$	Output Voltage	-0.3 to $V_{IN}+0.3$	V
$V_{ADJ}$	Output Voltage (ADJ Pin)	-0.3 to $V_{IN}+0.3$	V
$I_{OUT}$	Output Current	250	mA
$P_D$	Power Dissipation (DFN1616-6)*	640	mW
	Power Dissipation (SOT-23-5)*	420	
	Power Dissipation (SOT-89-5)*	900	
$T_{opt}$	Operating Temperature	-40 to +105	°C
$T_{stg}$	Storage Temperature	-55 to +125	°C

\*) For Power Dissipation please refer to PACKAGE INFORMATION.

### ABSOLUTE MAXIMUM RATINGS

Electronic and mechanical stress momentarily exceeded absolute maximum ratings may cause the permanent damages and may degrade the life time and safety for both device and system using the device in the field.

The functional operation at or over these absolute maximum ratings is not assured.

## POWER DISSIPATION (DFN1616-6)

This specification is at mounted on board. Power Dissipation ( $P_D$ ) depends on conditions of mounting on board. This specification is based on the measurement at the condition below:

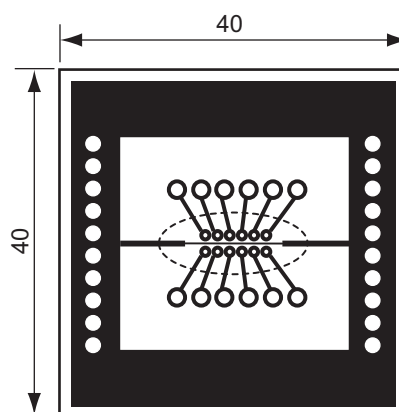
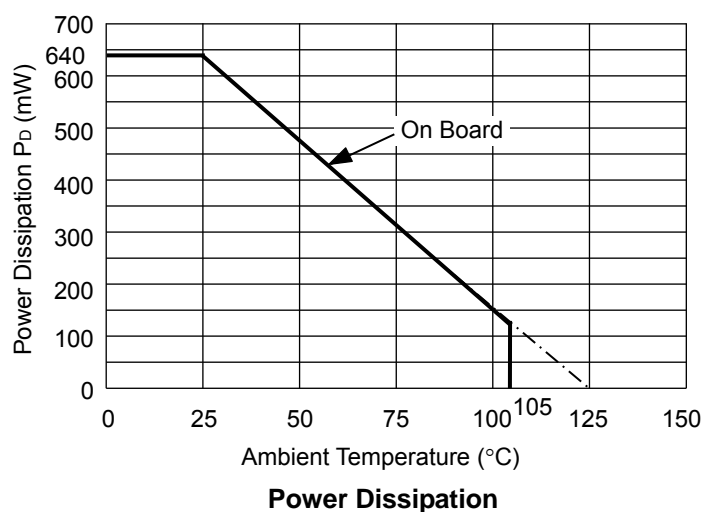
### Measurement Conditions

	Standard Land Pattern
Environment	Mounting on Board (Wind velocity=0m/s)
Board Material	Glass cloth epoxy plastic (Double sided)
Board Dimensions	40mm × 40mm × 1.6mm
Copper Ratio	Top side : Approx. 50% , Back side : Approx. 50%
Through-holes	φ0.5mm × 32pcs

### Measurement Results

( $T_{opt}=25^{\circ}\text{C}$ ,  $T_{jmax}=125^{\circ}\text{C}$ )

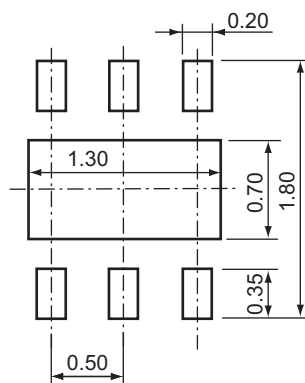
	Standard Land Pattern
Power Dissipation	640mW
Thermal Resistance	$\theta_{ja}=(125-25^{\circ}\text{C})/0.64\text{W}=156^{\circ}\text{C/W}$
Thermal Resistance	$\theta_{jc}=23^{\circ}\text{C/W}$



**Measurement Board Pattern**

○ IC Mount Area (Unit: mm)

## RECOMMENDED LAND PATTERN



(Unit: mm)

## POWER DISSIPATION (SOT-23-5)

This specification is at mounted on board. Power Dissipation ( $P_D$ ) depends on conditions of mounting on board. This specification is based on the measurement at the condition below:

(Power Dissipation (SOT-23-5) is substitution of SOT-23-6.)

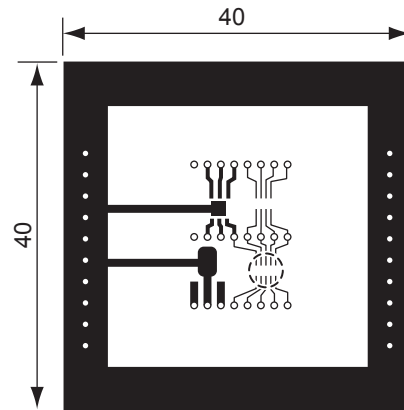
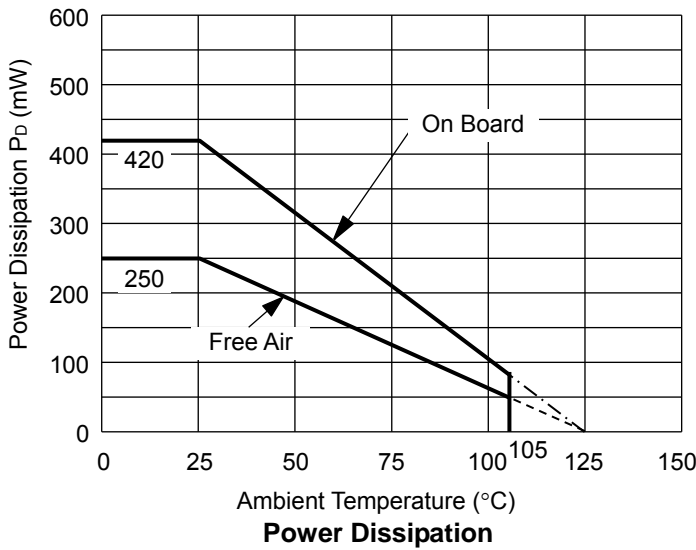
### Measurement Conditions

	Standard Land Pattern
Environment	Mounting on Board (Wind velocity=0m/s)
Board Material	Glass cloth epoxy plastic (Double sided)
Board Dimensions	40mm × 40mm × 1.6mm
Copper Ratio	Top side : Approx. 50% , Back side : Approx. 50%
Through-holes	φ0.5mm × 44pcs

### Measurement Results

( $T_{opt}=25^{\circ}\text{C}$ ,  $T_{jmax}=125^{\circ}\text{C}$ )

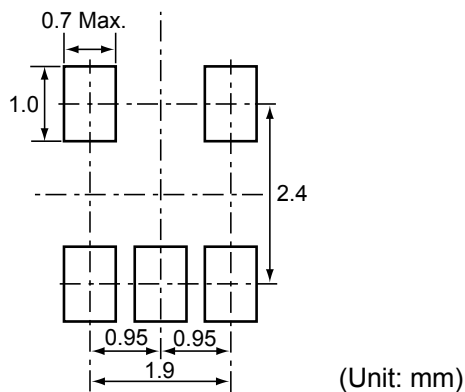
	Standard Land Pattern	Free Air
Power Dissipation	420mW	250mW
Thermal Resistance	$\theta_{ja}=(125-25^{\circ}\text{C})/0.42\text{W}=238^{\circ}\text{C/W}$	400 $^{\circ}\text{C/W}$



Measurement Board Pattern

○ IC Mount Area (Unit: mm)

## RECOMMENDED LAND PATTERN



## POWER DISSIPATION (SOT-89-5)

This specification is at mounted on board. Power Dissipation ( $P_D$ ) depends on conditions of mounting on board. This specification is based on the measurement at the condition below:

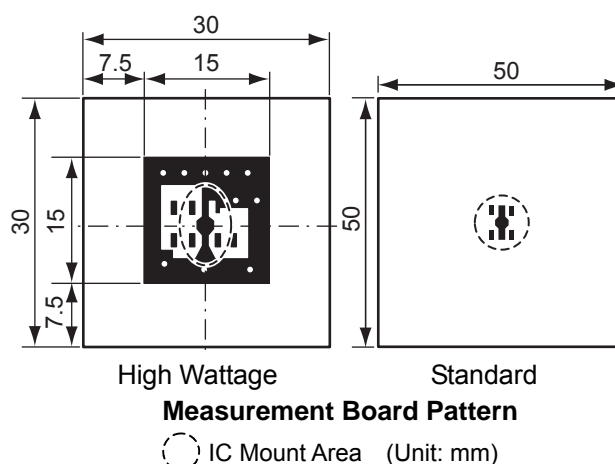
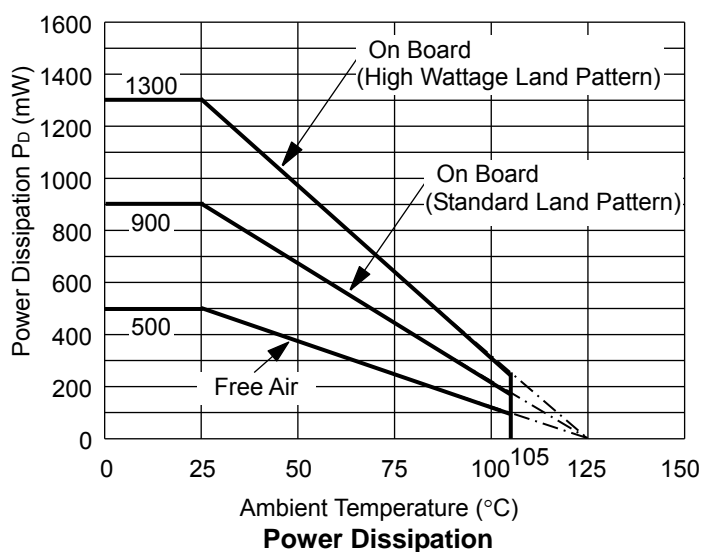
### Measurement Conditions

	High Wattage Land Pattern	Standard Land Pattern
Environment	Mounting on Board (Wind velocity=0m/s)	Mounting on Board (Wind velocity=0m/s)
Board Material	Glass cloth epoxy plastic (Double sided)	Glass cloth epoxy plastic (Double sided)
Board Dimensions	30mm × 30mm × 1.6mm	50mm × 50mm × 1.6mm
Copper Ratio	Top side : Approx. 20% , Back side : Approx. 100%	Top side : Approx. 10% , Back side : Approx. 100%
Through-holes	φ0.85mm × 10pcs	–

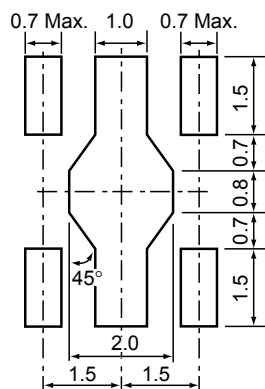
### Measurement Results

( $T_{opt}=25^{\circ}\text{C}$ ,  $T_{jmax}=125^{\circ}\text{C}$ )

	High Wattage Land Pattern	Standard Land Pattern	Free Air
Power Dissipation	1300mW	900mW	500mW
Thermal Resistance	77°C/W	111°C/W	200°C/W



## RECOMMENDED LAND PATTERN



(Unit: mm)

## ELECTRICAL CHARACTERISTICS

### • R1154xxxxB

T<sub>opt</sub>=25°C

Symbol	Item	Conditions	Min.	Typ.	Max.	Unit
V <sub>IN</sub>	Input Voltage				24	V
V <sub>OUT</sub>	Output Voltage	V <sub>IN</sub> =V <sub>SET</sub> +2.0V, I <sub>OUT</sub> =20mA	×0.98		×1.02	V
I <sub>OUT</sub>	Output Current	V <sub>IN</sub> -V <sub>SET</sub> =2.0V	Refer to the following table			
I <sub>SS</sub>	Supply Current	V <sub>IN</sub> =V <sub>CE</sub> , V <sub>IN</sub> -V <sub>SET</sub> =2.0V		5	10	μA
I <sub>standby</sub>	Standby Current	V <sub>IN</sub> =24V, V <sub>CE</sub> =0V		0.1	1.0	μA
ΔV <sub>OUT</sub> / ΔI <sub>OUT</sub>	Load regulation	V <sub>IN</sub> -V <sub>SET</sub> =2.0V, 1mA ≤ I <sub>OUT</sub> ≤ 40mA	Refer to the following table			
ΔV <sub>OUT</sub> / ΔV <sub>IN</sub>	Line regulation	I <sub>OUT</sub> =20mA V <sub>SET</sub> +1V ≤ V <sub>IN</sub> ≤ 24V		0.05	0.20	%/V
V <sub>DIF</sub>	Dropout Voltage	I <sub>OUT</sub> =20mA	Refer to the following table			
ΔV <sub>OUT</sub> / ΔT <sub>opt</sub>	Output Voltage Temperature Coefficient	V <sub>IN</sub> -V <sub>SET</sub> =2.0V, I <sub>OUT</sub> =20mA -40°C ≤ T <sub>opt</sub> ≤ 105°C		±100		ppm/°C
I <sub>SC</sub>	Short Current Limit	V <sub>OUT</sub> =0V		45		mA
V <sub>CEH</sub>	CE "H" Input Voltage		2.1		V <sub>IN</sub>	V
V <sub>CEL</sub>	CE "L" Input Voltage		0		0.3	V
T <sub>SD</sub>	Thermal Shutdown Temperature	Junction Temperature		150		°C
T <sub>SR</sub>	Thermal Shutdown Released Temperature	Junction Temperature		125		°C

### • Output Current (T<sub>opt</sub>=25°C)

Set Output Voltage V <sub>SET</sub> (V)	Output Current (mA)
	Min.
2.5 ≤ V <sub>SET</sub> ≤ 2.9	140
3.0 ≤ V <sub>SET</sub> ≤ 12.0	150

### • Load Regulation (T<sub>opt</sub>=25°C)

Set Output Voltage V <sub>OUT</sub> (V)	Load Regulation (mV)	
	Typ.	Max.
2.5 ≤ V <sub>SET</sub> ≤ 3.0	20	50
3.1 ≤ V <sub>SET</sub> ≤ 5.0	30	75
5.1 ≤ V <sub>SET</sub> ≤ 12.0	40	115

### • Dropout Voltage (T<sub>opt</sub>=25°C)

Set Output Voltage V <sub>OUT</sub> (V)	Dropout Voltage (V)	
	Typ.	Max.
2.5 ≤ V <sub>SET</sub> ≤ 7.0	0.20	0.40
7.1 ≤ V <sub>SET</sub> ≤ 10.0	0.25	0.50
10.1 ≤ V <sub>SET</sub> ≤ 12.0	0.30	0.55



## • R1154x001C

T<sub>opt</sub>=25°C

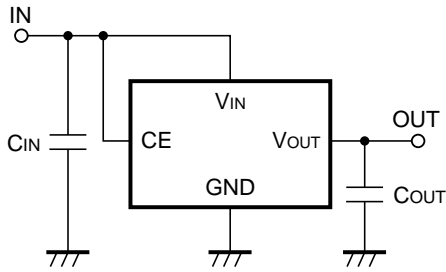
Symbol	Item	Conditions	Min.	Typ.	Max.	Unit
V <sub>IN</sub>	Input Voltage				24	V
V <sub>OUT</sub>	Output Voltage	V <sub>IN</sub> =V <sub>SET</sub> +2.0V, I <sub>OUT</sub> =20mA	2.45	2.50	2.55	V
I <sub>OUT</sub>	Output Current	V <sub>IN</sub> =V <sub>SET</sub> +2.0V	140			mA
I <sub>SS</sub>	Supply Current	V <sub>IN</sub> =V <sub>SET</sub> +2.0V, V <sub>CE</sub> =V <sub>IN</sub>		5	10	μA
I <sub>standby</sub>	Standby Current	V <sub>IN</sub> =24V, V <sub>CE</sub> =0V		0.1	1.0	μA
ΔV <sub>OUT</sub> /ΔI <sub>OUT</sub>	Load regulation	V <sub>IN</sub> =V <sub>SET</sub> +2.0V, 1mA ≤ I <sub>OUT</sub> ≤ 40mA		20	50	mV
ΔV <sub>OUT</sub> /ΔV <sub>IN</sub>	Line regulation	V <sub>SET</sub> +1V ≤ V <sub>IN</sub> ≤ 24V, I <sub>OUT</sub> =20mA		0.05	0.20	%/V
V <sub>DIF</sub>	Dropout Voltage	I <sub>OUT</sub> =20mA		0.20	0.40	V
ΔV <sub>OUT</sub> /ΔT <sub>opt</sub>	Output Voltage Temperature Coefficient	V <sub>IN</sub> =V <sub>SET</sub> +2.0V, I <sub>OUT</sub> =20mA, -40°C ≤ T <sub>opt</sub> ≤ 105°C		±100		ppm/°C
I <sub>SC</sub>	Short Current Limit	V <sub>OUT</sub> =0V		45		mA
V <sub>CEH</sub>	CE "H" Input Voltage		2.1		V <sub>IN</sub>	V
V <sub>CEL</sub>	CE "L" Input Voltage		0		0.3	V
T <sub>SD</sub>	Thermal Shutdown Temperature	Junction Temperature		150		°C
T <sub>SR</sub>	Thermal Shutdown Released Temperature	Junction Temperature		125		°C

The above specifications measured at the condition of V<sub>OUT</sub>=V<sub>ADJ</sub>.

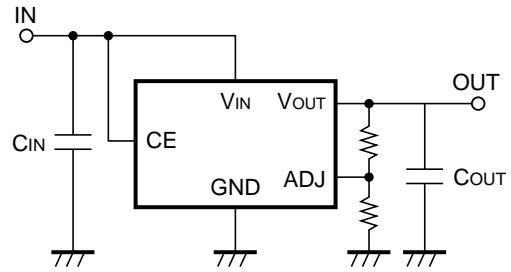
#### RECOMMENDED OPERATING CONDITIONS (ELECTRICAL CHARACTERISTICS)

All of electronic equipment should be designed that the mounted semiconductor devices operate within the recommended operating conditions. The semiconductor devices cannot operate normally over the recommended operating conditions, even if when they are used over such conditions by momentary electronic noise or surge. And the semiconductor devices may receive serious damage when they continue to operate over the recommended operating conditions.

## TYPICAL APPLICATIONS

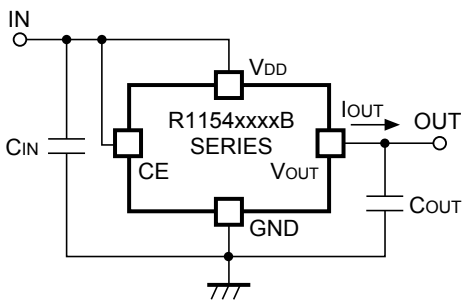


Fixed Output Voltage Type

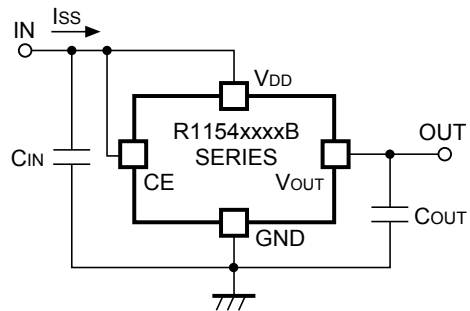


Adjustable Type

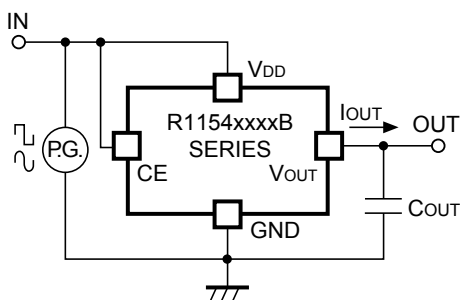
## TEST CIRCUITS



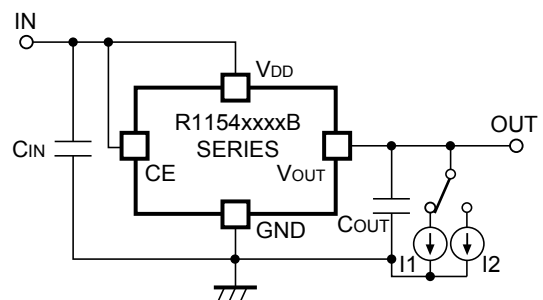
R1154xxxxB Standard Test Circuit



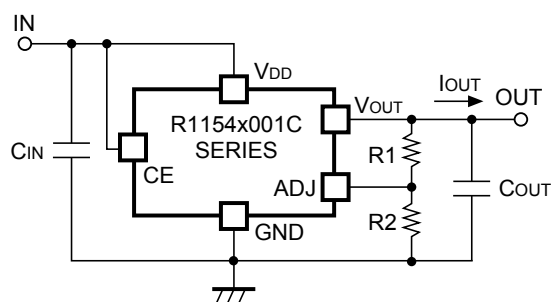
R1154xxxxB Supply Current Test Circuit



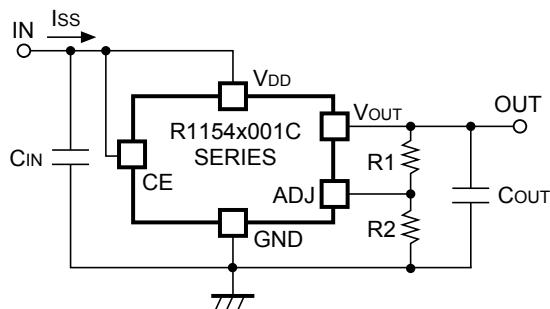
R1154xxxxB Input Transient Response Test Circuit



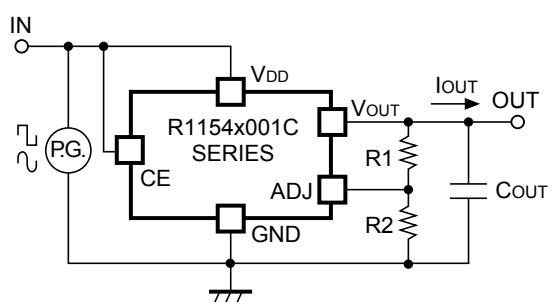
R1154xxxxB Load Regulation Test Circuit



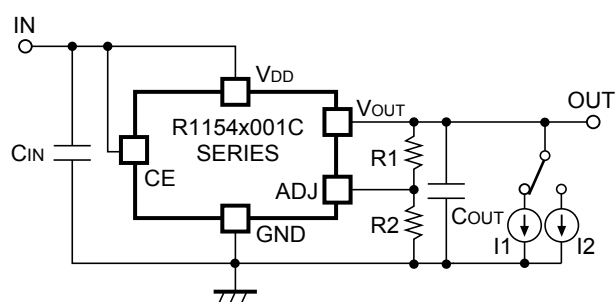
R1154x001C Standard Test Circuit



R1154x001C Supply Current Test Circuit



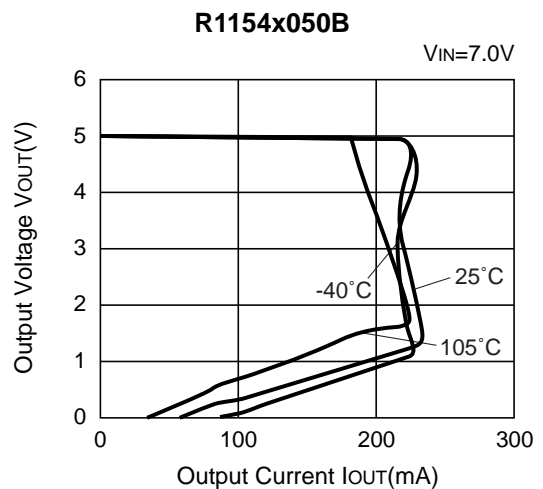
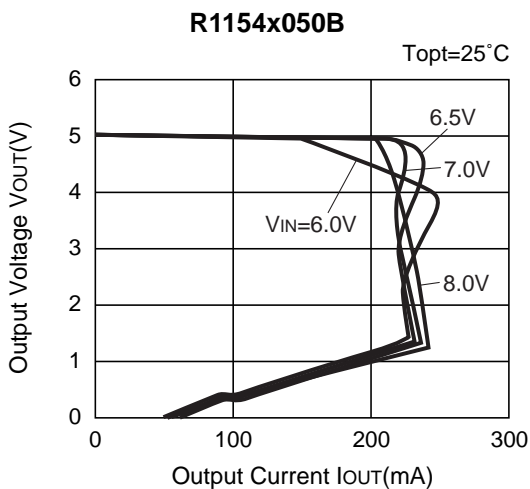
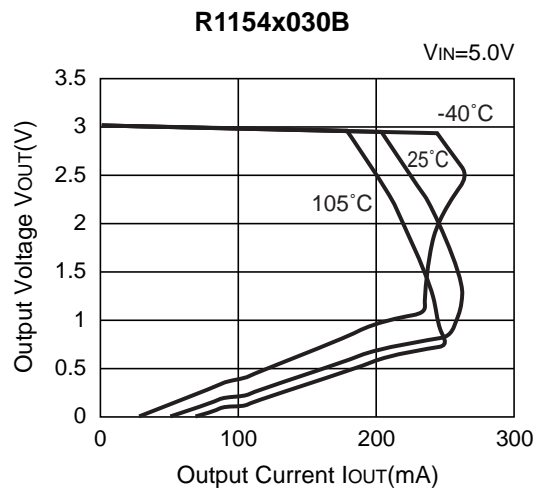
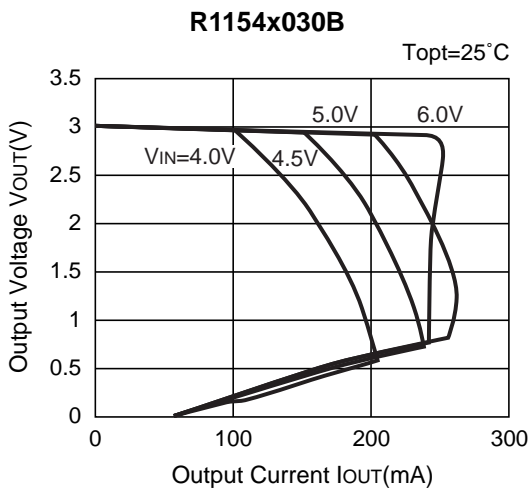
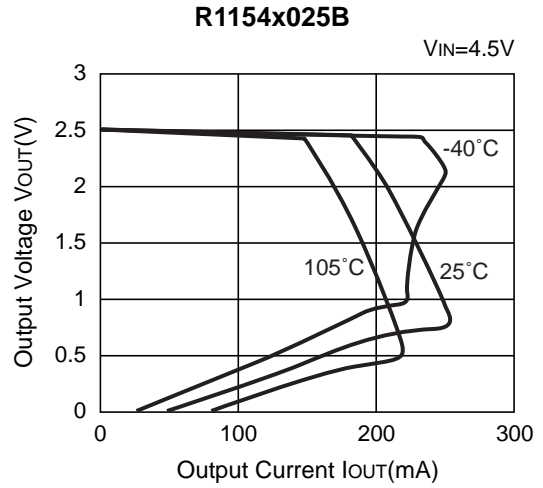
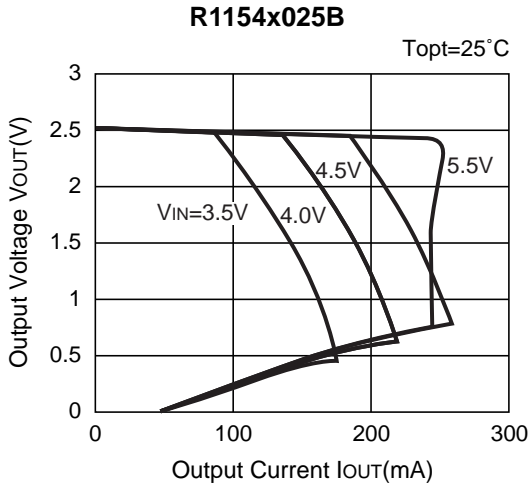
R1154x001C Input Transient Response Test Circuit

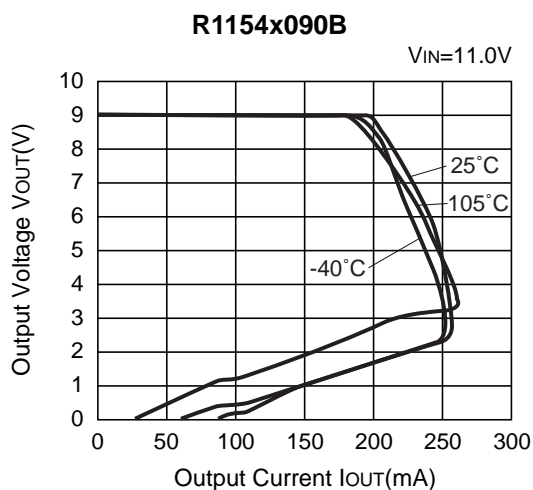
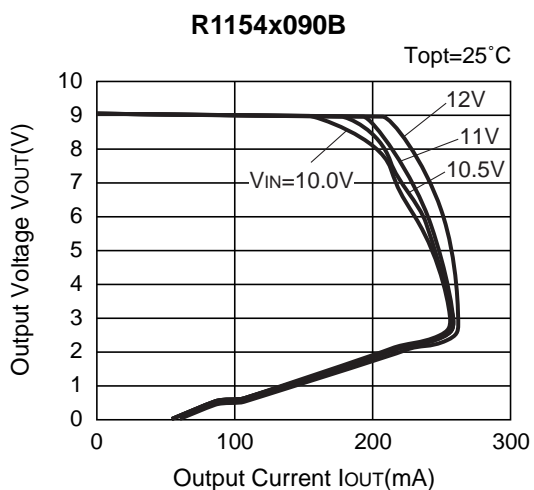


R1154x001C Load Transient Response Test Circuit

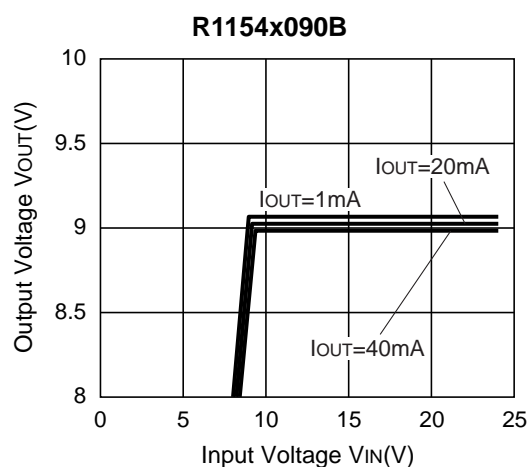
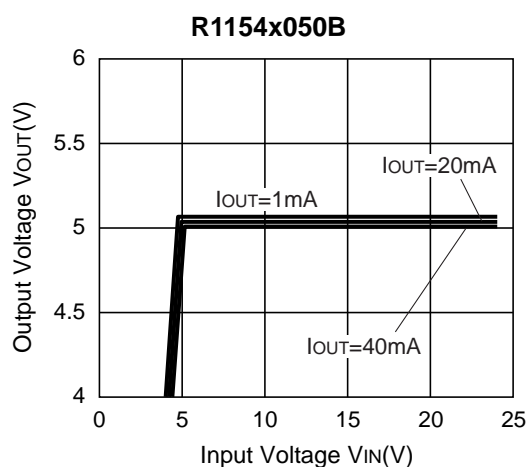
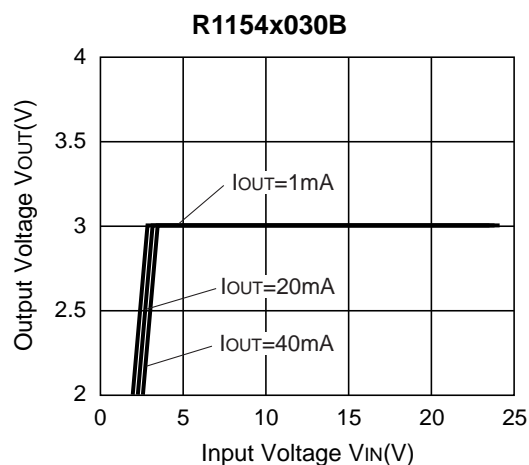
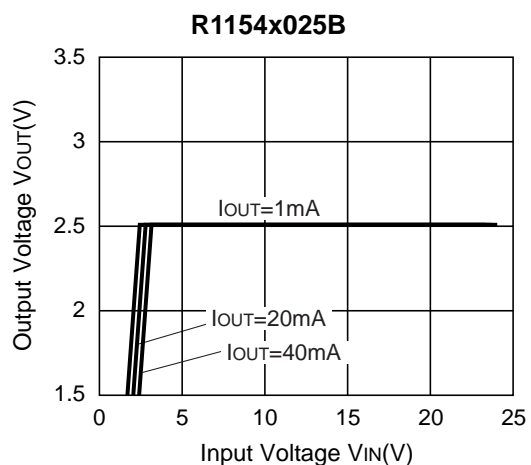
## TYPICAL CHARACTERISTICS

### 1) Output Voltage vs. Output Current

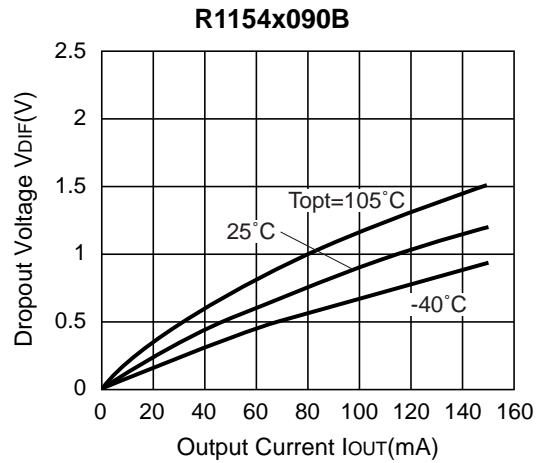
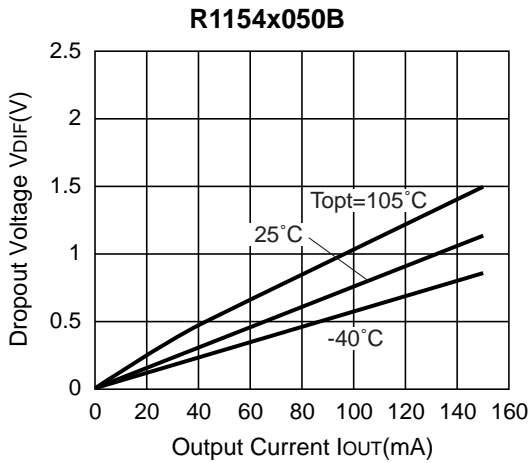
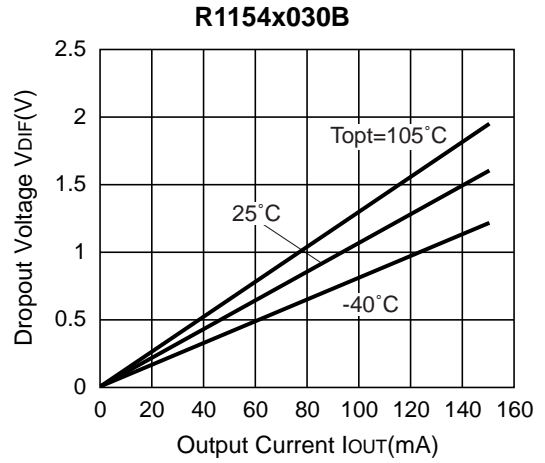
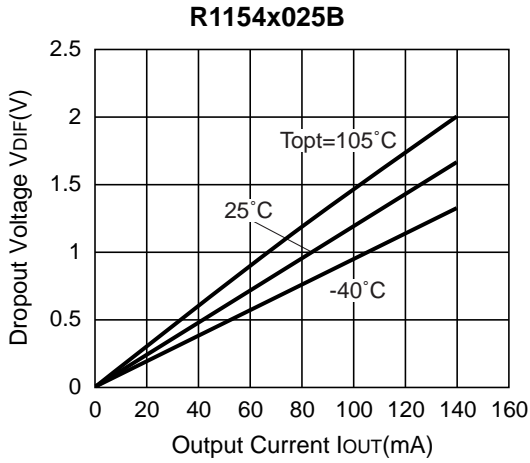




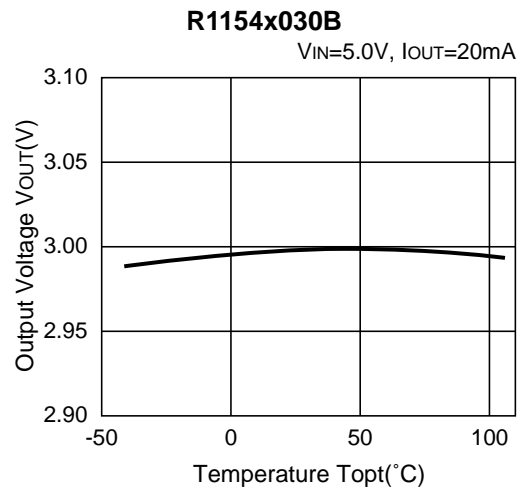
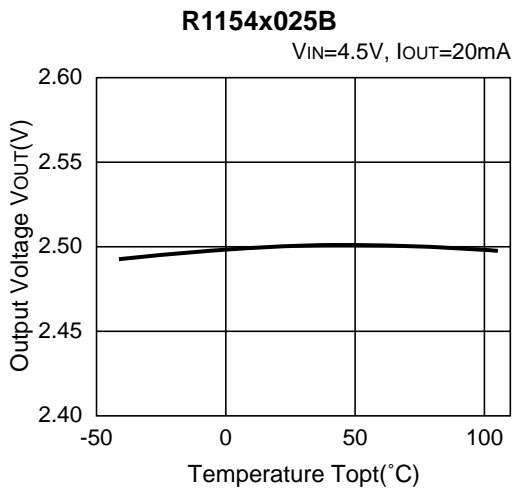
**2) Input Voltage vs. Output Voltage ( $T_{opt}=25^{\circ}\text{C}$ )**

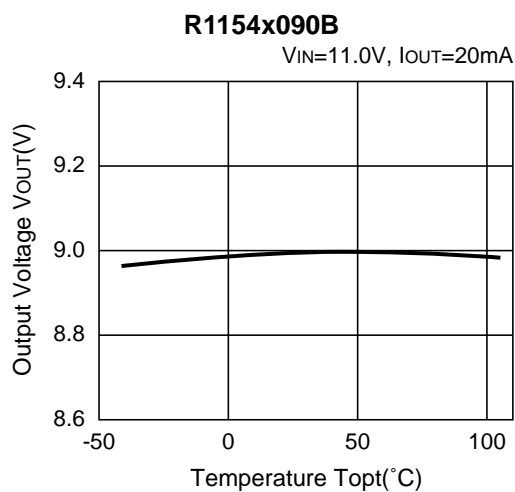
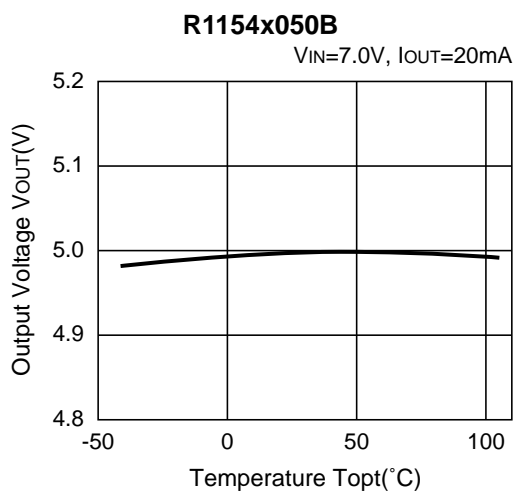


3) Dropout Voltage vs. Output Current

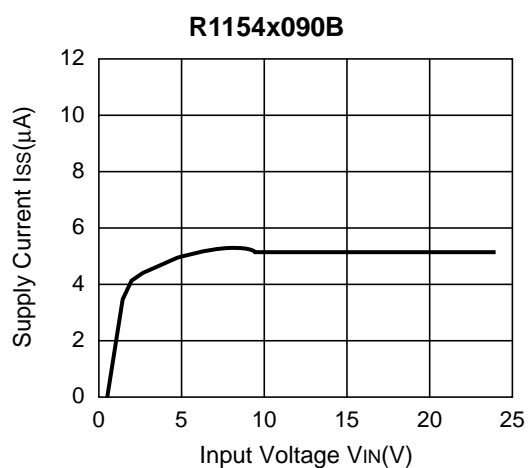
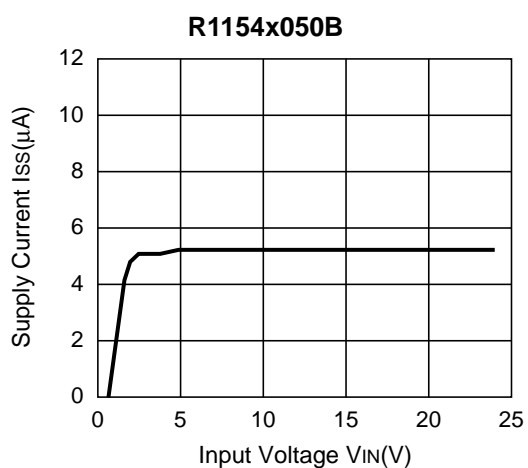
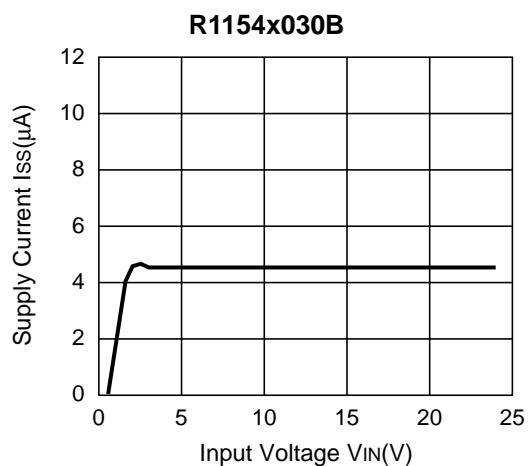
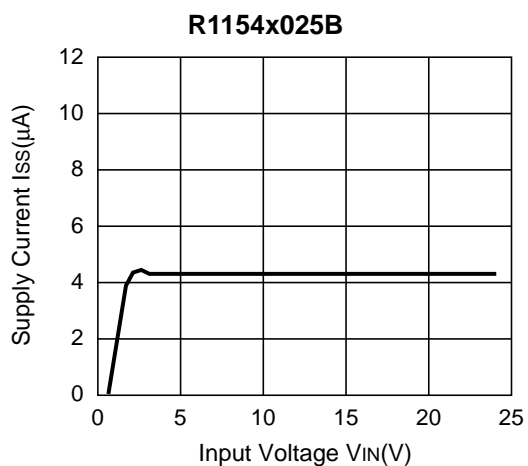


4) Output Voltage vs. Temperature

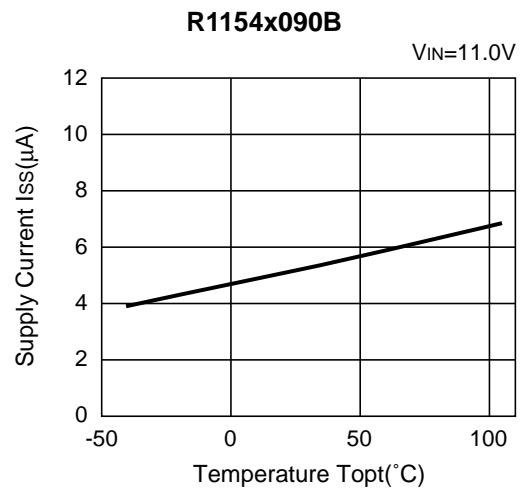
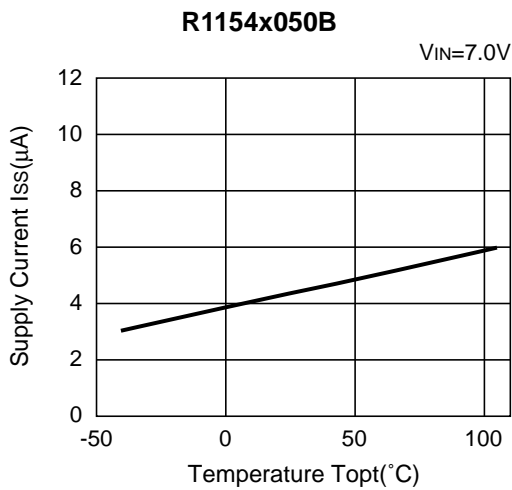
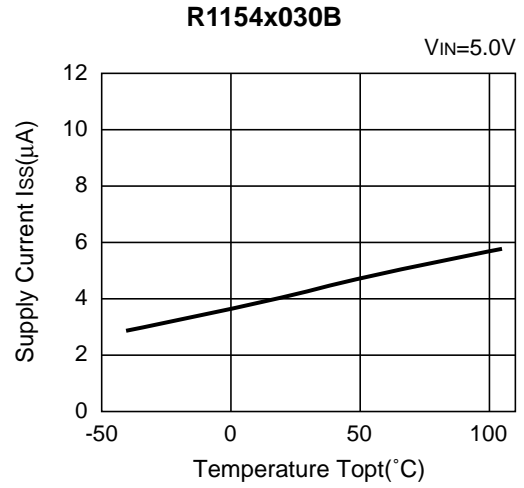
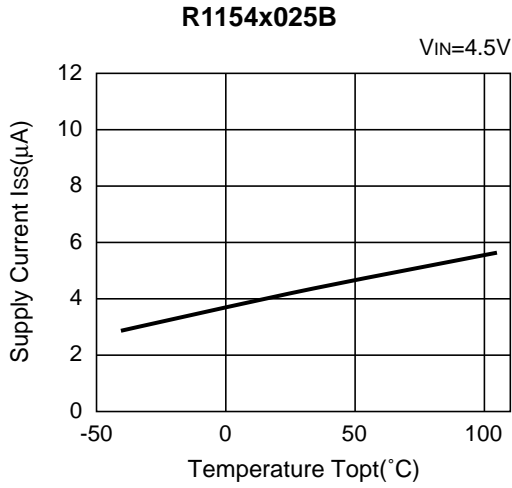




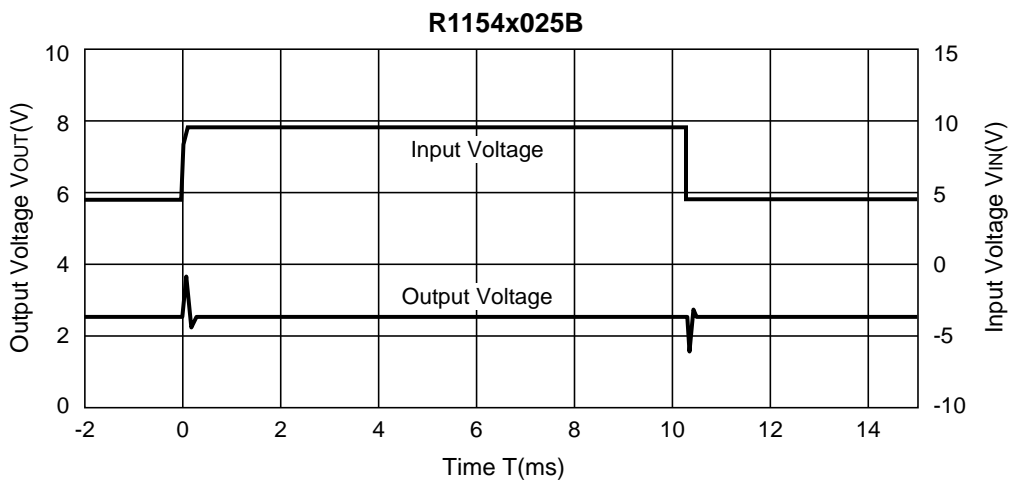
### 5) Supply Current vs. Input Voltage (T<sub>opt</sub>=25°C)



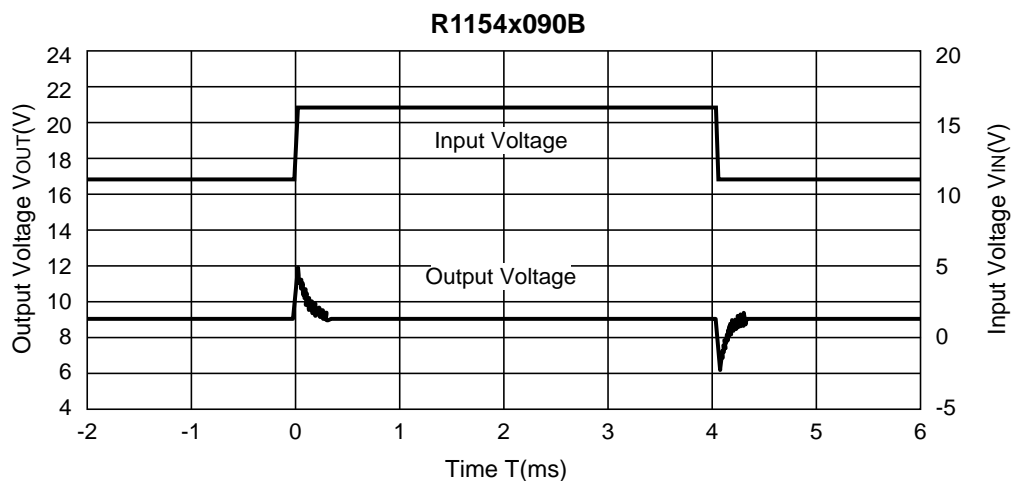
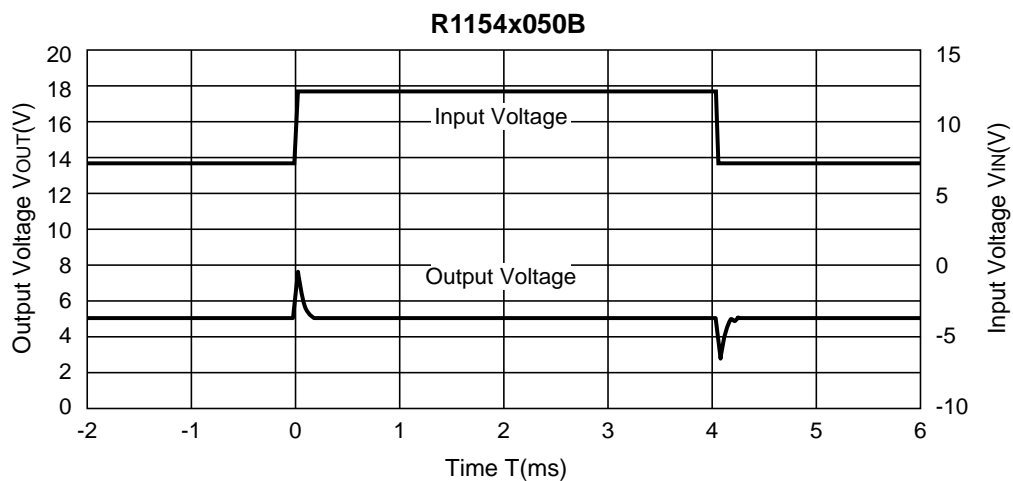
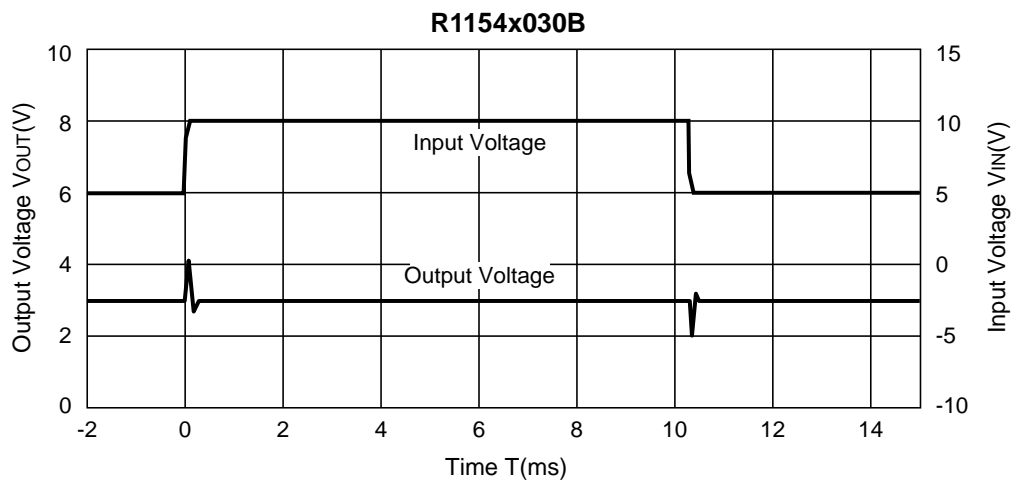
6) Supply Current vs. Temperature



7) Input Transient Response ( $I_{OUT}=20mA$ ,  $C_{OUT}=0.1\mu F$ ,  $T_{opt}=25^\circ C$ )

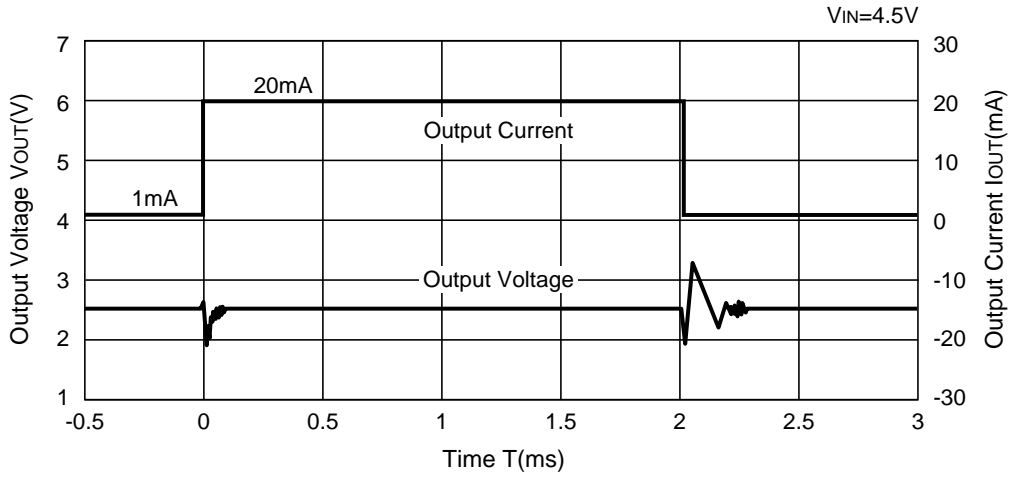




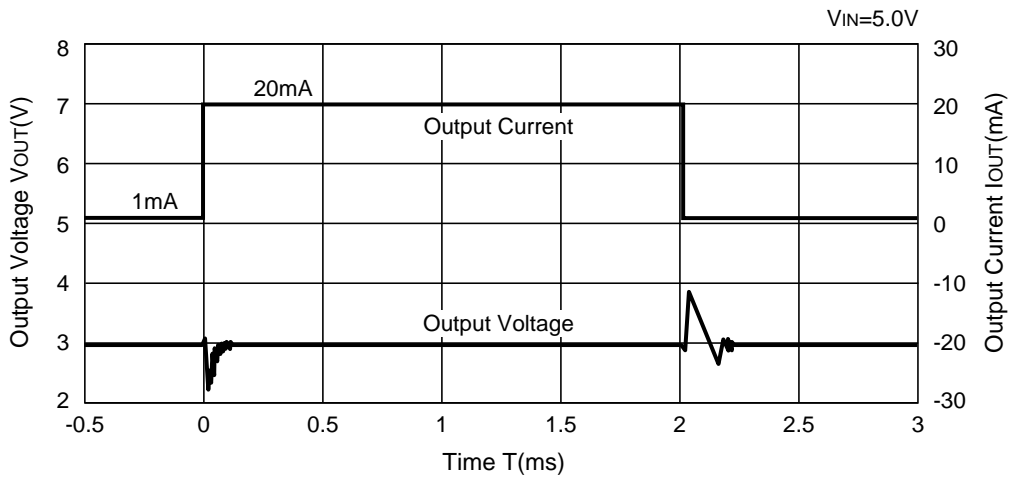


8) Load Transient Response ( $C_{OUT}=0.1\mu F$ ,  $T_{opt}=25^{\circ}C$ )

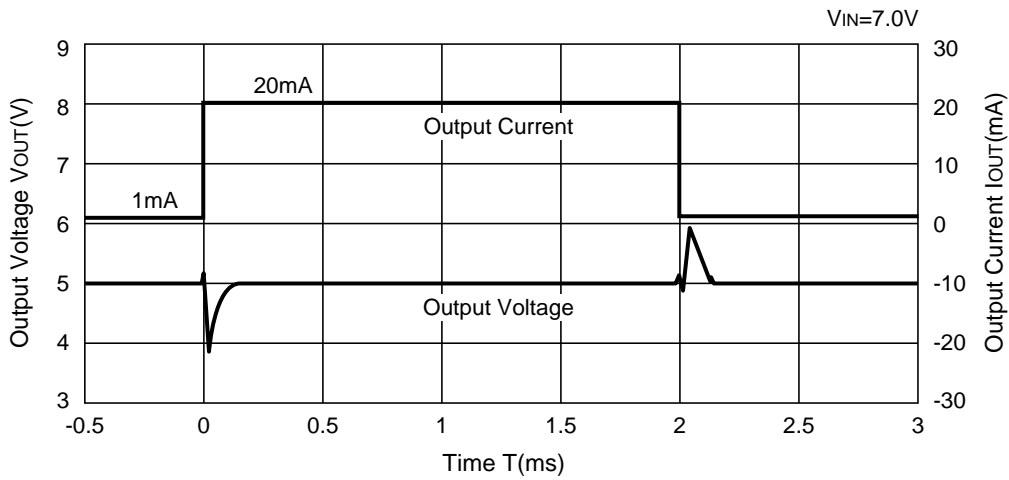
R1154x025B

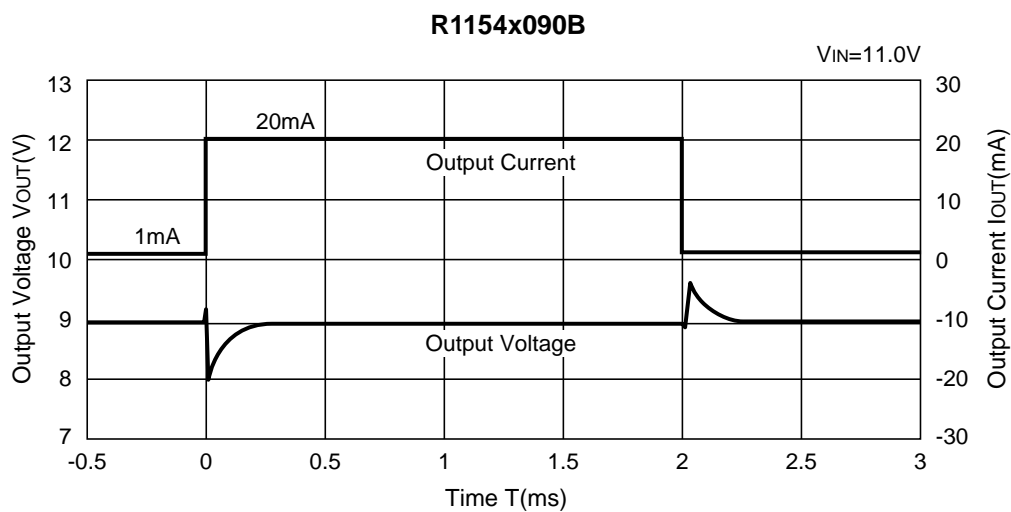


R1154x030B

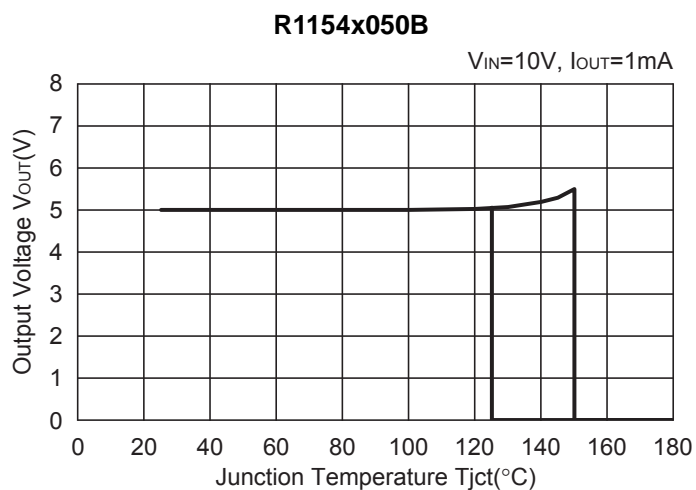


R1154x050B





**9) Thermal Shutdown Characteristics**

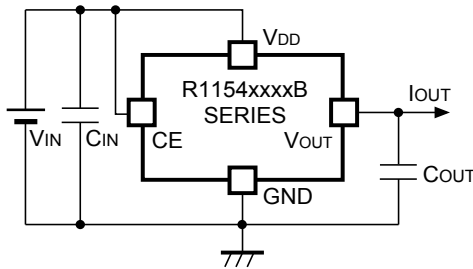


## TECHNICAL NOTES

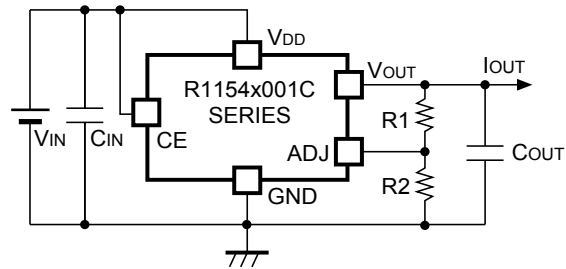
### Phase Compensation

Phase Compensation of the R1154x Series has been made internally for stable operation even though the load current would vary. Therefore, without the capacitors,  $C_{IN}$  and  $C_{OUT}$ , the output voltage is regulated, however, for more stable operation, use capacitors as  $C_{IN}$  and  $C_{OUT}$ . Especially, if the input line is long and impedance is high,  $C_{IN}$  is necessary, moreover, if you use  $C_{OUT}$ , transient response will be improved. Recommended value is in the range from  $0.1\mu\text{F}$  to  $2.2\mu\text{F}$ . Wiring should be made as short as possible.

Connect the capacitor,  $C_{IN}$  between  $V_{DD}$  pin and GND pin and  $C_{OUT}$  between  $V_{OUT}$  and GND as close as possible.



R1154xxxxB Typical Application



R1154xxxxC Typical Application

### Thermal Shutdown

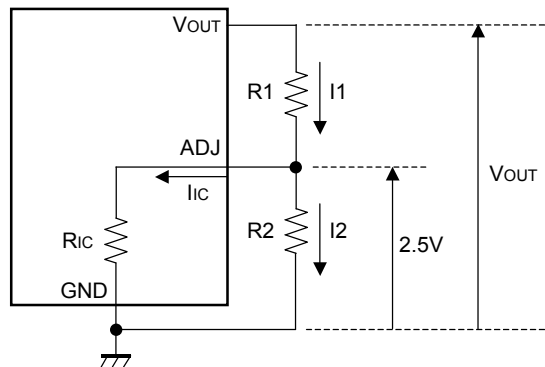
Thermal shutdown function is included in the R1154x Series, if the junction temperature is equal or more than  $+150^{\circ}\text{C}$  (Typ.), the operation of regulator would stop. After that, when the junction temperature is equal or less than  $+125^{\circ}\text{C}$  (Typ.), the operation of regulator would restart. Unless the cause of rising temperature would remove, the regulator repeats on and off, and output waveform would be like consecutive pulses.

### Chip Enable Circuit

Do not make voltage level of chip enable pin keep floating level, or in between  $V_{IH}$  and  $V_{IL}$ . Unless otherwise, Output voltage would be unstable or indefinite, or unexpected current would flow internally.

\* Technical Notes on Output Voltage Setting of C type

Figure 1. Adjustable Regulator (C type)



The Output Voltage of Regulator in R1154xxxxC may be adjustable for any output voltage between its 2.5V reference and its  $V_{DD}$  setting level. An external pair of resistors is required, as shown in Figure 1. The complete equation for the output voltage is described step by step as follows;

$$I_1 = I_{IC} + I_2 \dots\dots\dots (1)$$

$$I_2 = 2.5/R_2 \dots\dots\dots (2)$$

Thus,

$$I_1 = I_{IC} + 2.5/R_2 \dots\dots\dots (3)$$

Therefore,

$$V_{OUT} = 2.5 + R_1 \times I_1 \dots\dots\dots (4)$$

Put Equation (3) into Equation (4), then

$$\begin{aligned} V_{OUT} &= 2.5 + R_1(I_{IC} + 2.5/R_2) \\ &= 2.5(1 + R_1/R_2) + R_1 \times I_{IC} \dots\dots\dots (5) \end{aligned}$$

In 2nd term, or  $R_1 \times I_{IC}$  will produce an error in  $V_{OUT}$ .

In Equation (5),

$$I_{IC} = 2.5/R_{IC} \dots\dots\dots (6)$$

$$\begin{aligned} R_1 \times I_{IC} &= R_1 \times 2.5/R_{IC} \\ &= 2.5 \times R_1/R_{IC} \dots\dots\dots (7) \end{aligned}$$

For better accuracy, choosing  $R_1 \ll R_{IC}$  reduces this error.

$R_{IC}$  of the R1154x001C is approximately Typ.17M $\Omega$  ( $T_a=25^\circ\text{C}$ , guaranteed by Design Engineering).

$R_{IC}$  could be affected by the temperature, therefore evaluate the circuit taking the actual conditions of use into account when deciding the resistance values for  $R_1$  and  $R_2$ .



1. The products and the product specifications described in this document are subject to change or discontinuation of production without notice for reasons such as improvement. Therefore, before deciding to use the products, please refer to Ricoh sales representatives for the latest information thereon.
2. The materials in this document may not be copied or otherwise reproduced in whole or in part without prior written consent of Ricoh.
3. Please be sure to take any necessary formalities under relevant laws or regulations before exporting or otherwise taking out of your country the products or the technical information described herein.
4. The technical information described in this document shows typical characteristics of and example application circuits for the products. The release of such information is not to be construed as a warranty of or a grant of license under Ricoh's or any third party's intellectual property rights or any other rights.
5. The products listed in this document are intended and designed for use as general electronic components in standard applications (office equipment, telecommunication equipment, measuring instruments, consumer electronic products, amusement equipment etc.). Those customers intending to use a product in an application requiring extreme quality and reliability, for example, in a highly specific application where the failure or misoperation of the product could result in human injury or death (aircraft, spacevehicle, nuclear reactor control system, traffic control system, automotive and transportation equipment, combustion equipment, safety devices, life support system etc.) should first contact us.
6. We are making our continuous effort to improve the quality and reliability of our products, but semiconductor products are likely to fail with certain probability. In order to prevent any injury to persons or damages to property resulting from such failure, customers should be careful enough to incorporate safety measures in their design, such as redundancy feature, fire containment feature and fail-safe feature. We do not assume any liability or responsibility for any loss or damage arising from misuse or inappropriate use of the products.
7. Anti-radiation design is not implemented in the products described in this document.
8. Please contact Ricoh sales representatives should you have any questions or comments concerning the products or the technical information.



**Ricoh is committed to reducing the environmental loading materials in electrical devices with a view to contributing to the protection of human health and the environment.**

Ricoh has been providing RoHS compliant products since April 1, 2006 and Halogen-free products since April 1, 2012.

**RICOH** RICOH ELECTRONIC DEVICES CO., LTD.

<http://www.e-devices.ricoh.co.jp/en/>

#### Sales & Support Offices

##### **RICOH ELECTRONIC DEVICES CO., LTD.**

**Higashi-Shinagawa Office (International Sales)**  
3-32-3, Higashi-Shinagawa, Shinagawa-ku, Tokyo 140-8655, Japan  
Phone: +81-3-5479-2857 Fax: +81-3-5479-0502

##### **RICOH EUROPE (NETHERLANDS) B.V.**

**Semiconductor Support Centre**  
Prof. W.H. Keesomlaan 1, 1183 DJ Amstelveen, The Netherlands  
Phone: +31-20-5474-309

##### **RICOH INTERNATIONAL B.V. - German Branch**

**Semiconductor Sales and Support Centre**  
Oberrather Strasse 6, 40472 Düsseldorf, Germany  
Phone: +49-211-6546-0

##### **RICOH ELECTRONIC DEVICES KOREA CO., LTD.**

3F, Haesung Bldg, 504, Teheran-ro, Gangnam-gu, Seoul, 135-725, Korea  
Phone: +82-2-2135-5700 Fax: +82-2-2051-5713

##### **RICOH ELECTRONIC DEVICES SHANGHAI CO., LTD.**

Room 403, No.2 Building, No.690 Bibo Road, Pu Dong New District, Shanghai 201203, People's Republic of China  
Phone: +86-21-5027-3200 Fax: +86-21-5027-3299

##### **RICOH ELECTRONIC DEVICES CO., LTD.**

**Taipei office**  
Room 109, 10F-1, No.51, Hengyang Rd., Taipei City, Taiwan (R.O.C.)  
Phone: +886-2-2313-1621/1622 Fax: +886-2-2313-1623

# Mouser Electronics

Authorized Distributor

Click to View Pricing, Inventory, Delivery & Lifecycle Information:

## Ricoh Electronics:

[R1154L120B-TR](#) [R1154N080B-TR-FE](#) [R1154N030B-TR-FE](#) [R1154N025B-TR-FE](#) [R1154N120B-TR-FE](#)  
[R1154H030B-T1-FE](#) [R1154L085B-TR](#) [R1154L033B-TR](#) [R1154L030B-TR](#) [R1154H033B-T1-FE](#) [R1154H120B-T1-FE](#)  
[R1154L080B-TR](#) [R1154N050B-TR-FE](#) [R1154H090B-T1-FE](#) [R1154L050B-TR](#) [R1154H025B-T1-FE](#) [R1154N033B-TR-](#)  
[FE](#) [R1154L045B-TR](#) [R1154H050B-T1-FE](#) [R1154N090B-TR-FE](#) [R1154N001C-TR-FE](#) [R1154L001C-TR](#)  
[R1154H001C-T1-FE](#) [R1154H028B-T1-FE](#) [R1154L090B-TR](#)

Компания «Океан Электроники» предлагает заключение долгосрочных отношений при поставках импортных электронных компонентов на взаимовыгодных условиях!

Наши преимущества:

- Поставка оригинальных импортных электронных компонентов напрямую с производств Америки, Европы и Азии, а так же с крупнейших складов мира;
- Широкая линейка поставок активных и пассивных импортных электронных компонентов (более 30 млн. наименований);
- Поставка сложных, дефицитных, либо снятых с производства позиций;
- Оперативные сроки поставки под заказ (от 5 рабочих дней);
- Экспресс доставка в любую точку России;
- Помощь Конструкторского Отдела и консультации квалифицированных инженеров;
- Техническая поддержка проекта, помощь в подборе аналогов, поставка прототипов;
- Поставка электронных компонентов под контролем ВП;
- Система менеджмента качества сертифицирована по Международному стандарту ISO 9001;
- При необходимости вся продукция военного и аэрокосмического назначения проходит испытания и сертификацию в лаборатории (по согласованию с заказчиком);
- Поставка специализированных компонентов военного и аэрокосмического уровня качества (Xilinx, Altera, Analog Devices, Intersil, Interpoint, Microsemi, Actel, Aeroflex, Peregrine, VPT, Syfer, Eurofarad, Texas Instruments, MS Kennedy, Miteq, Cobham, E2V, MA-COM, Hittite, Mini-Circuits, General Dynamics и др.);

Компания «Океан Электроники» является официальным дистрибьютором и эксклюзивным представителем в России одного из крупнейших производителей разъемов военного и аэрокосмического назначения «JONHON», а так же официальным дистрибьютором и эксклюзивным представителем в России производителя высокотехнологичных и надежных решений для передачи СВЧ сигналов «FORSTAR».



## JONHON

«JONHON» (основан в 1970 г.)

Разъемы специального, военного и аэрокосмического назначения:

(Применяются в военной, авиационной, аэрокосмической, морской, железнодорожной, горно- и нефтедобывающей отраслях промышленности)

«FORSTAR» (основан в 1998 г.)

ВЧ соединители, коаксиальные кабели, кабельные сборки и микроволновые компоненты:

(Применяются в телекоммуникациях гражданского и специального назначения, в средствах связи, РЛС, а так же военной, авиационной и аэрокосмической отраслях промышленности).



Телефон: 8 (812) 309-75-97 (многоканальный)

Факс: 8 (812) 320-03-32

Электронная почта: [ocean@oceanchips.ru](mailto:ocean@oceanchips.ru)

Web: <http://oceanchips.ru/>

Адрес: 198099, г. Санкт-Петербург, ул. Калинина, д. 2, корп. 4, лит. А