

High-Speed Quad SPST CMOS Analog Switch

DESCRIPTION

The DG201HS is an improved monolithic device containing four independent analog switches. It is designed to provide high speed, low error switching of analog signals. Combining low on-resistance (25 Ω) with high speed (t_{ON} : 38 ns), the DG201HS is ideally suited for high speed data acquisition requirements.

To achieve high voltage ratings and superior switching performance, the DG201HS is built on a proprietary high-voltage silicon-gate process. An epitaxial layer prevents latchup.

Each switch conducts equally well in both directions when on, and blocks input voltages to the supply values, when off.

FEATURES

- Fast Switching- t_{ON} : 38 ns
- Low On-Resistance: 25 Ω
- Low Leakage: 100 pA
- Low Charge Injection
- TTL/CMOS Logic Compatible
- Single Supply Compatibility
- High Current Rating: - 30 mA

BENEFITS

- Faster Throughput
- Higher Accuracy
- Reduced Pedestal Error
- Upgrades Existing Designs
- Simple Interfacing
- Replaces HI201HS, ADG201HS
- Space Savings (TSSOP)

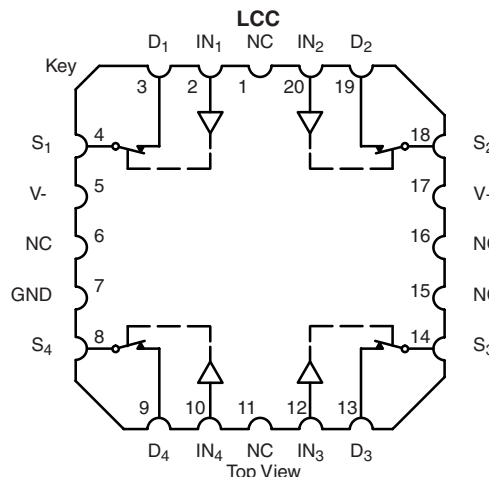
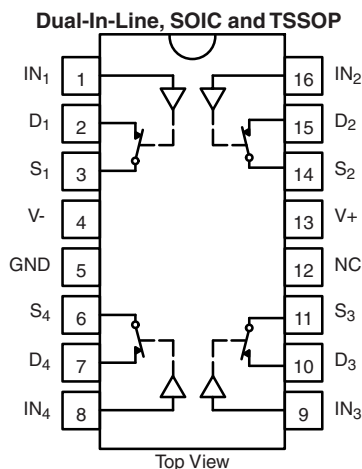
APPLICATIONS

- Data Acquisition
- Hi-Rel Systems
- Sample-and-Hold Circuits
- Communication Systems
- Automatic Test Equipment
- Integrator Reset Circuits
- Choppers
- Gain Switching
- Avionics



RoHS*
COMPLIANT

FUNCTIONAL BLOCK DIAGRAM AND PIN CONFIGURATION



TRUTH TABLE	
Logic	Switch
0	ON
1	OFF

Logic "0" ≤ 0.8 V
Logic "1" ≥ 2.4 V

* Pb containing terminations are not RoHS compliant, exemptions may apply

ORDERING INFORMATION

Temp Range	Package	Part Number
- 40 to 85 °C	16-Pin Plastic DIP	DG201HSDJ
		DG201HSDJ-E3
	16-Pin Narrow SOIC	DG201HSDY
		DG201HSDY-E3
		DG201HSDY-T1 DG201HSDY-T1-E3
	16-Pin TSSOP	DG201HSDQ
DG201HSDQ-E3		
DG201HSDQ-T1		
DG201HSDQ-T1-E3		

ABSOLUTE MAXIMUM RATINGS

Parameter	Limit	Unit	
V+ to V-	44	V	
GND to V-	25		
Digital Inputs ^a , V _S , V _D	(V-) - 4 to (V+) + 4 or 30 mA, whichever occurs first		
Continuous Current (Any Terminal)	30	mA	
Current, S or D (Pulsed at 1 ms, 10 % duty cycle)	100		
Storage Temperature	(A Suffix)	- 65 to 150	°C
	(D Suffix)	- 65 to 125	
Power Dissipation (Package) ^b	16-Pin Plastic DIP ^c	470	mW
	16-Pin CerDIP ^d	900	
	16-Pin Narrow Body SOIC and TSSOP ^e	600	
	LCC-20 ^d	900	

Notes:

- Signals on S_X, D_X, or IN_X exceeding V+ or V- will be clamped by internal diodes. Limit forward diode current to maximum current ratings.
- All leads welded or soldered to PC board.
- Derate 6 mW/°C above 75 °C.
- Derate 12 mW/°C above 75 °C.
- Derate 7.6 mW/°C above 75 °C.

SCHEMATIC DIAGRAM (TYPICAL CHANNEL)

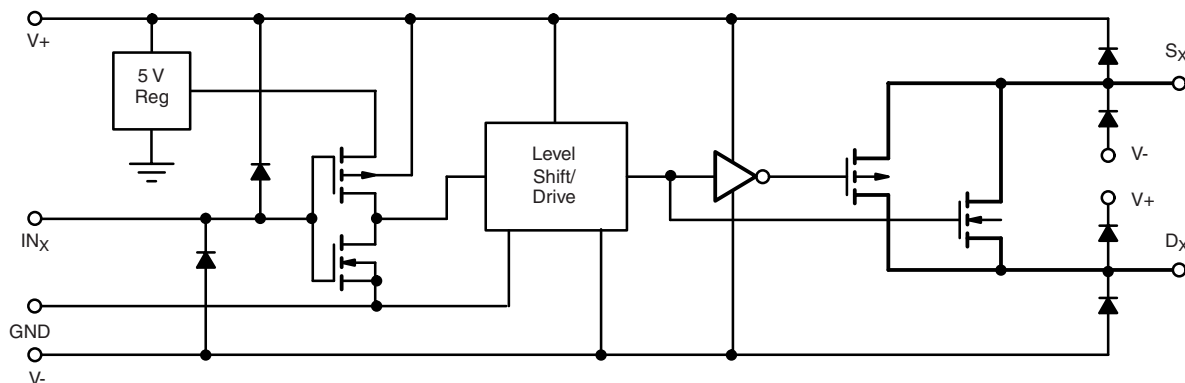


Figure 1.



SPECIFICATIONS^a									
Parameter	Symbol	Test Conditions Unless Specified $V_+ = 15\text{ V}$, $V_- = -15\text{ V}$ $V_{IN} = 3\text{ V}$, 0.8 V^f	Temp ^b	Typ ^c	A Suffix - 55 to 125 °C		D Suffix - 40 to 85 °C		Unit
					Min ^d	Max ^d	Min ^d	Max ^d	
Analog Switch									
Analog Signal Range ^e	V_{ANALOG}		Full		V-	V+	V-	V+	V
Drain-Source On-Resistance	$r_{DS(on)}$	$I_S = -10\text{ mA}$, $V_D = \pm 8.5\text{ V}$ $V_+ = 13.5\text{ V}$, $V_- = -13.5\text{ V}$	Room Full	25		50 75		50 75	Ω
$r_{DS(on)}$ Match			Room	3					%
Switch Off Leakage Current	$I_{S(off)}$	$V_+ = 16.5\text{ V}$, $V_- = -16.5\text{ V}$ $V_D = \pm 15.5\text{ V}$ $V_S = \pm 15.5\text{ V}$	Room Full	0.1	-1 -60	1 60	-1 -20	1 20	nA
	$I_{D(off)}$		Room Full	0.1	-1 -60	1 60	-1 -20	1 20	
Channel On Leakage Current	$I_{D(on)}$	$V_+ = 16.5\text{ V}$, $V_- = -16.5\text{ V}$ $V_S = V_D = \pm 15.5\text{ V}$	Room Full	0.1	-1 -60	1 60	-1 -20	1 20	
Digital Control									
Input, High Voltage	V_{INH}		Full		2.4		2.4		V
Input, Low Voltage	V_{INL}		Full			0.8		0.8	
Input Capacitance	C_{IN}		Full	5					pF
Input Current	I_{INH} or I_{INL}	V_{IN} under test = 0.8 V, 3 V	Full		-1	1	-1	1	μA
Dynamic Characteristics									
Turn-On Time	t_{ON}	$R_L = 1\text{ k}\Omega$, $C_L = 35\text{ pF}$ $V_S = \pm 10\text{ V}$, $V_{INH} = 3\text{ V}$ See Figure 2	Room Full	48		60 75		60 75	ns
Turn-Off Time	t_{OFF1}		Room Full	30		50 70		50 70	
	t_{OFF2}		Room	150					
Output Settling Time to 0.1 %	t_s		Room	180					
Charge Injection	Q	$C_L = 1\text{ nF}$, $V_S = 0\text{ V}$ $V_{gen} = 0\text{ V}$, $R_{gen} = 0\text{ }\Omega$	Room	-5					pC
Off Isolation	OIRR	$R_L = 1\text{ k}\Omega$, $C_L = 10\text{ pF}$ $f = 100\text{ kHz}$	Room	85					dB
Crosstalk (Channel-to-Channel)	X_{TALK}	Any Other Channel Switches $R_L = 1\text{ k}\Omega$, $C_L = 10\text{ pF}$ $f = 100\text{ kHz}$	Room	100					
Source Off Capacitance	$C_{S(off)}$	V_S , $V_D = 0\text{ V}$, $f = 1\text{ MHz}$	Room	8					pF
Drain Off Capacitance	$C_{D(off)}$		Room	8					
Channel On Capacitance	$C_{D(on)}$		Room	30					
Drain-to-Source Capacitance	$C_{DS(off)}$		Room	0.5					
Power Supplies									
Positive Supply Current	I_+	$V_+ = 15\text{ V}$, $V_- = -15\text{ V}$ $V_{IN} = 0$ or 5 V	Room Full	4.5		10		10	mA
Negative Supply Current	I_-		Room Full	3.5	-6		-6		
Power Consumption ^c	P_C		Full			240		240	mW

Notes:

- a. Refer to PROCESS OPTION FLOWCHART.
- b. Room = 25 °C, Full = as determined by the operating temperature suffix.
- c. Typical values are for DESIGN AID ONLY, not guaranteed nor subject to production testing.
- d. The algebraic convention whereby the most negative value is a minimum and the most positive a maximum, is used in this data sheet.
- e. Guaranteed by design, not subject to production test.
- f. V_{IN} = input voltage to perform proper function.



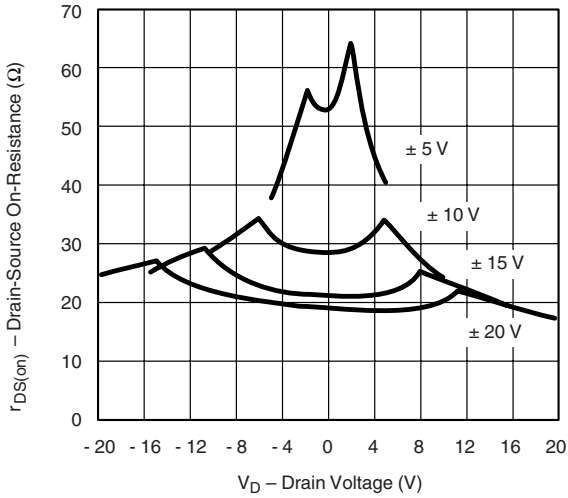
SPECIFICATIONS ^a FOR SINGLE SUPPLY									
Parameter	Symbol	Test Conditions Unless Specified V ₊ = 10.8 V to 16.5 V, V ₋ = GND = 0 V, V _{IN} = 3 V, 0.8 V ^f	Temp ^b	Typ ^c	A Suffix - 55 to 125 °C		D Suffix - 40 to 85 °C		Unit
					Min ^d	Max ^d	Min ^d	Max ^d	
Analog Switch									
Analog Signal Range ^e	V _{ANALOG}		Full		0	V ₊	0	V ₊	V
Drain-Source On-Resistance	r _{DS(on)}	I _S = - 10 mA, V _D = 8.5 V V ₊ = 10.8 V	Room Full	65		90 120		90 120	Ω
Switch Off Leakage Current	I _{S(off)}	V ₊ = 16.5 V V _S = 0.5 V, 10 V	Room Full	0.1	- 1 - 60	1 60	- 1 - 20	1 20	nA
	I _{D(off)}	V _D = 10 V, 0.5 V	Room Full	0.1	- 1 - 60	1 60	- 1 - 20	1 20	
Channel On Leakage Current	I _{D(on)} + I _{S(on)}	V ₊ = 16.5 V V _D = 0.5 V, 10 V	Room Full	0.1	- 1 - 60	1 60	- 1 - 20	1 20	
Digital Control									
Input, High Voltage	V _{INH}		Full		2.4		2.4		V
Input, Low Voltage	V _{INL}		Full			0.8		0.8	
Input Capacitance	C _{IN}		Full	5					pF
Input Current	I _{INH} or I _{INL}	V ₊ = 16.5 V V _{IN} under test = 0.8 V, 3 V	Full		- 1	1	- 1	1	μA
Dynamic Characteristics									
Turn-On Time	t _{ON}	R _L = 1 kΩ, C _L = 35 pF V _S = 2 V, V = 10.8 V See Figure 2	Room Full			50 70		50 70	ns
Turn-Off Time	t _{OFF1}		Room Full			50 70		50 70	
	t _{OFF2}		Room	150					
Output Settling Time to 0.1 %	t _s		Room	180					
Charge Injection	Q	C _L = 1 nF, V _S = 0 V V _{gen} = 0 V, R _{gen} = 0 Ω	Room	10					pC
Off Isolation	OIRR	R _L = 1 kΩ, C _L = 10 pF f = 100 kHz	Room	85					
Crosstalk (Channel-to-Channel)	X _{TALK}	Any Other Channel Switches R _L = 1 kΩ, C _L = 10 pF f = 100 kHz	Room	100					dB
Source Off Capacitance	C _{S(off)}	f = 1 MHz	Room	10					pF
Drain Off Capacitance	C _{D(off)}		Room	10					
Channel On Capacitance	C _{D(on)}		V _{ANALOG} = 0 V	Room	30				
Power Supply									
Positive Supply Current	I ₊	V ₊ = 15 V, V _{IN} = 0 or 5 V	Full			10		10	mA
Power Consumption ^c	P _C		Full			150		150	mW

Notes:

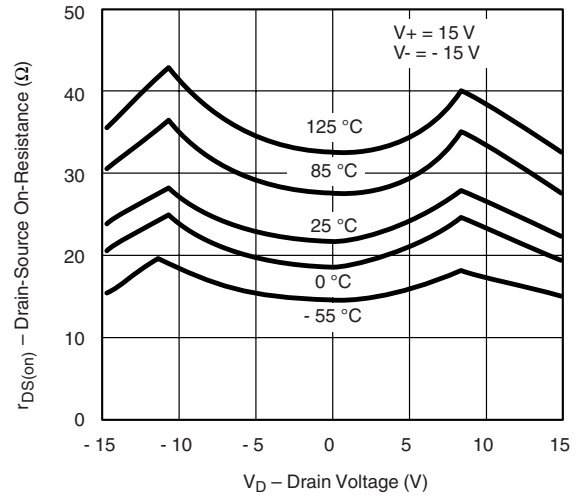
- Refer to PROCESS OPTION FLOWCHART.
- Room = 25 °C, Full = as determined by the operating temperature suffix.
- Typical values are for DESIGN AID ONLY, not guaranteed nor subject to production testing.
- The algebraic convention whereby the most negative value is a minimum and the most positive a maximum, is used in this data sheet.
- Guaranteed by design, not subject to production test.
- V_{IN} = input voltage to perform proper function.

Stresses beyond those listed under "Absolute Maximum Ratings" may cause permanent damage to the device. These are stress ratings only, and functional operation of the device at these or any other conditions beyond those indicated in the operational sections of the specifications is not implied. Exposure to absolute maximum rating conditions for extended periods may affect device reliability.

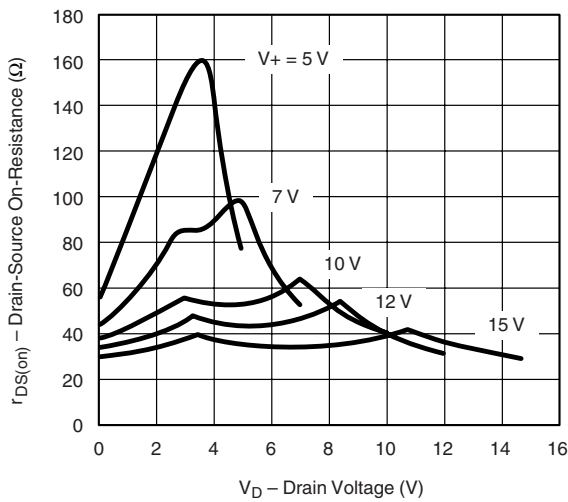
TYPICAL CHARACTERISTICS 25 °C, unless otherwise noted



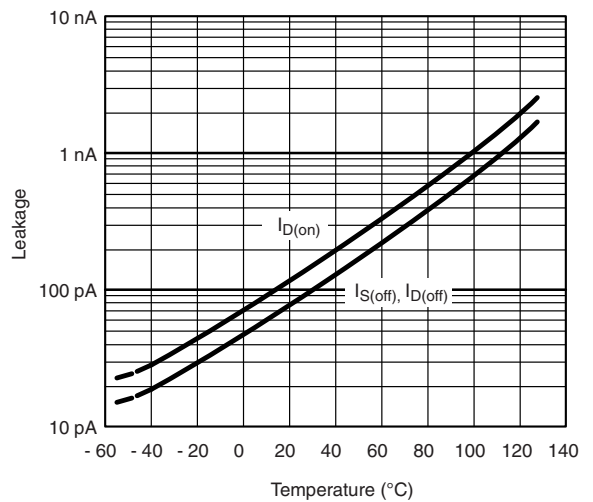
$r_{DS(on)}$ vs. V_D and Power Supply Voltages



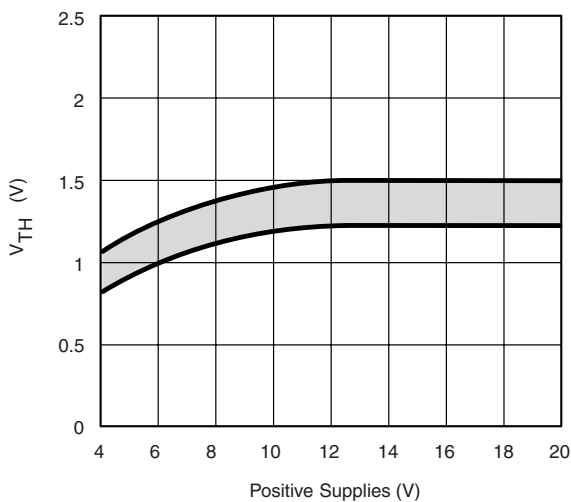
$r_{DS(on)}$ vs. V_D and Temperature



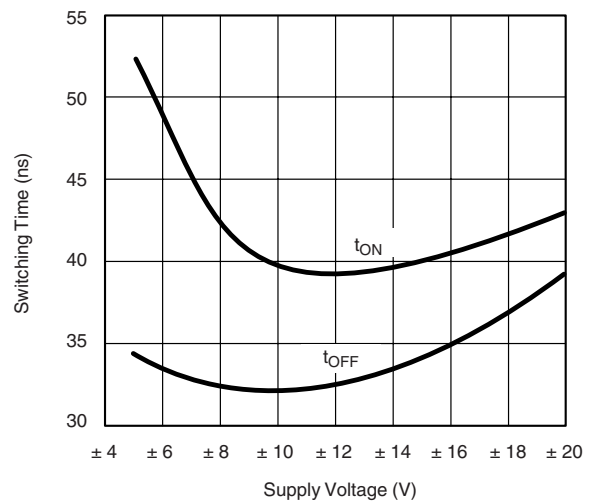
$r_{DS(on)}$ vs. V_D and Single Power Supply Voltages



Leakage Currents vs. Temperature

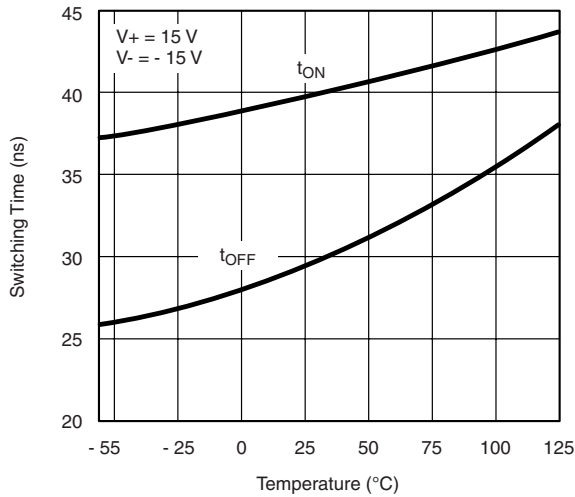


Input Switching Threshold vs. Supply Voltage

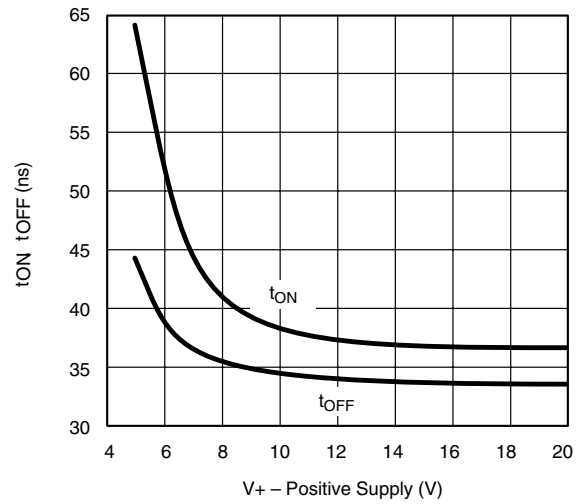


Switching Time vs. Power Supply Voltage

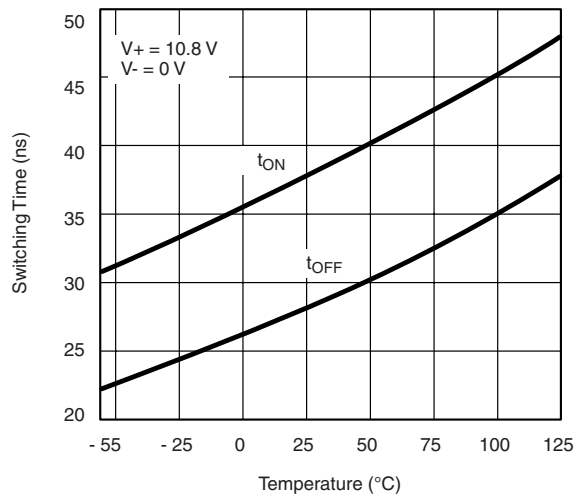
TYPICAL CHARACTERISTICS 25 °C, unless otherwise noted



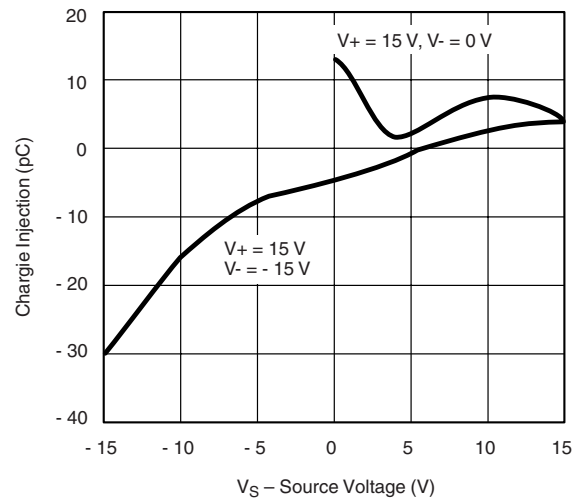
Switching Times vs. Temperature



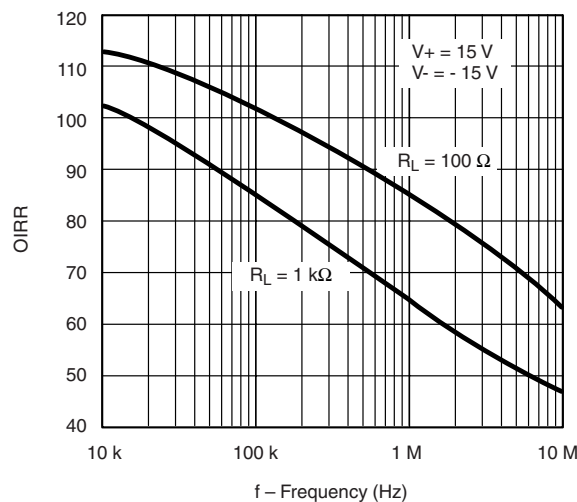
Switching Times vs. Power Supply Voltage



Switching Times vs. Temperature



Charge Injection vs. Source Voltage



Off Isolation vs. Frequency

TEST CIRCUITS

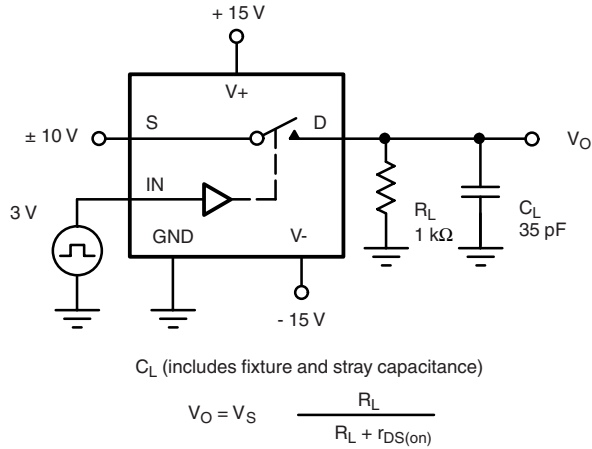


Figure 2. Switching Time

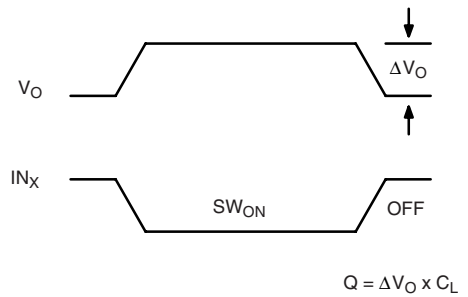
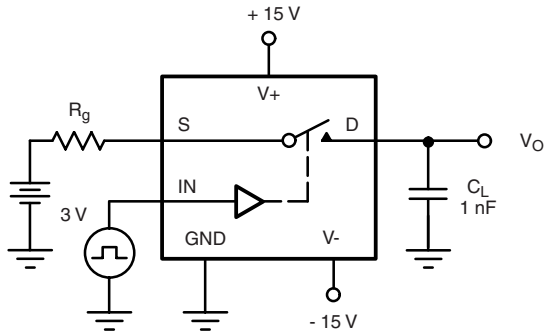
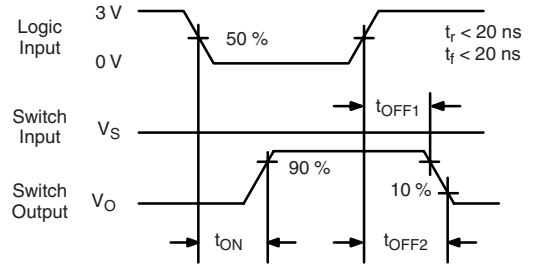


Figure 3. Charge Injection

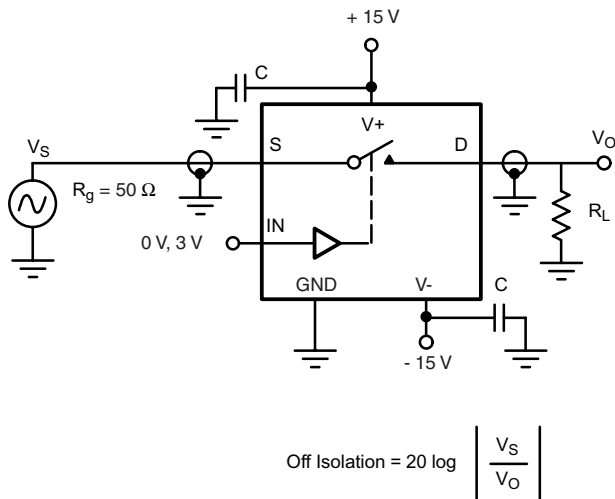


Figure 4. Off Isolation

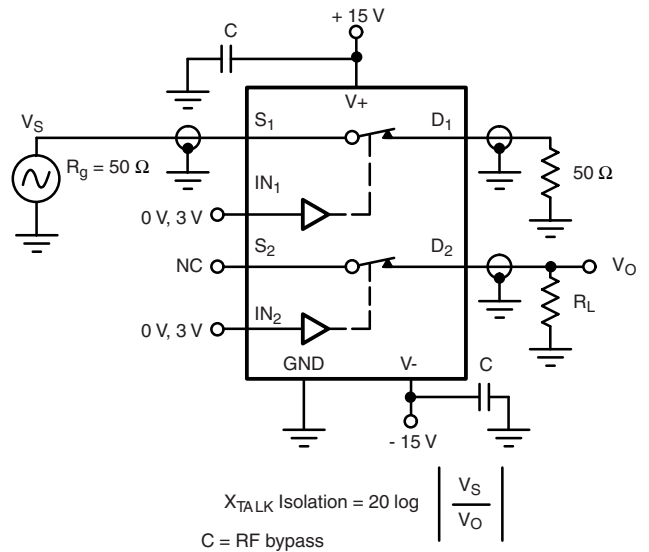
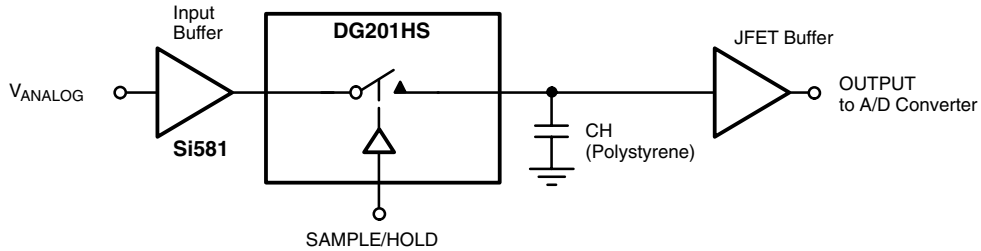


Figure 5. Crosstalk

APPLICATIONS

A high-speed, low-glitch analog switch such as Vishay Siliconix's DG201HS improves the accuracy and shortens the acquisition and settling times of a sample-and-hold circuit.



Vishay Siliconix maintains worldwide manufacturing capability. Products may be manufactured at one of several qualified locations. Reliability data for Silicon Technology and Package Reliability represent a composite of all qualified locations. For related documents such as package/tape drawings, part marking, and reliability data, see <http://www.vishay.com/ppg?70038>.



Disclaimer

All product specifications and data are subject to change without notice.

Vishay Intertechnology, Inc., its affiliates, agents, and employees, and all persons acting on its or their behalf (collectively, "Vishay"), disclaim any and all liability for any errors, inaccuracies or incompleteness contained herein or in any other disclosure relating to any product.

Vishay disclaims any and all liability arising out of the use or application of any product described herein or of any information provided herein to the maximum extent permitted by law. The product specifications do not expand or otherwise modify Vishay's terms and conditions of purchase, including but not limited to the warranty expressed therein, which apply to these products.

No license, express or implied, by estoppel or otherwise, to any intellectual property rights is granted by this document or by any conduct of Vishay.

The products shown herein are not designed for use in medical, life-saving, or life-sustaining applications unless otherwise expressly indicated. Customers using or selling Vishay products not expressly indicated for use in such applications do so entirely at their own risk and agree to fully indemnify Vishay for any damages arising or resulting from such use or sale. Please contact authorized Vishay personnel to obtain written terms and conditions regarding products designed for such applications.

Product names and markings noted herein may be trademarks of their respective owners.

Компания «Океан Электроники» предлагает заключение долгосрочных отношений при поставках импортных электронных компонентов на взаимовыгодных условиях!

Наши преимущества:

- Поставка оригинальных импортных электронных компонентов напрямую с производств Америки, Европы и Азии, а так же с крупнейших складов мира;
- Широкая линейка поставок активных и пассивных импортных электронных компонентов (более 30 млн. наименований);
- Поставка сложных, дефицитных, либо снятых с производства позиций;
- Оперативные сроки поставки под заказ (от 5 рабочих дней);
- Экспресс доставка в любую точку России;
- Помощь Конструкторского Отдела и консультации квалифицированных инженеров;
- Техническая поддержка проекта, помощь в подборе аналогов, поставка прототипов;
- Поставка электронных компонентов под контролем ВП;
- Система менеджмента качества сертифицирована по Международному стандарту ISO 9001;
- При необходимости вся продукция военного и аэрокосмического назначения проходит испытания и сертификацию в лаборатории (по согласованию с заказчиком);
- Поставка специализированных компонентов военного и аэрокосмического уровня качества (Xilinx, Altera, Analog Devices, Intersil, Interpoint, Microsemi, Actel, Aeroflex, Peregrine, VPT, Syfer, Eurofarad, Texas Instruments, MS Kennedy, Miteq, Cobham, E2V, MA-COM, Hittite, Mini-Circuits, General Dynamics и др.);

Компания «Океан Электроники» является официальным дистрибьютором и эксклюзивным представителем в России одного из крупнейших производителей разъемов военного и аэрокосмического назначения «JONHON», а так же официальным дистрибьютором и эксклюзивным представителем в России производителя высокотехнологичных и надежных решений для передачи СВЧ сигналов «FORSTAR».



JONHON

«JONHON» (основан в 1970 г.)

Разъемы специального, военного и аэрокосмического назначения:

(Применяются в военной, авиационной, аэрокосмической, морской, железнодорожной, горно- и нефтедобывающей отраслях промышленности)

«FORSTAR» (основан в 1998 г.)

ВЧ соединители, коаксиальные кабели,
кабельные сборки и микроволновые компоненты:

(Применяются в телекоммуникациях гражданского и специального назначения, в средствах связи, РЛС, а так же военной, авиационной и аэрокосмической отраслях промышленности).



Телефон: 8 (812) 309-75-97 (многоканальный)

Факс: 8 (812) 320-03-32

Электронная почта: ocean@oceanchips.ru

Web: <http://oceanchips.ru/>

Адрес: 198099, г. Санкт-Петербург, ул. Калинина, д. 2, корп. 4, лит. А