

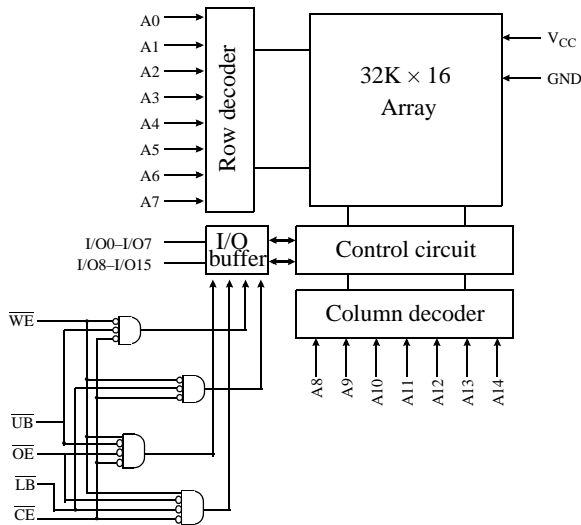


3.3V 32K×16 CMOS SRAM

Features

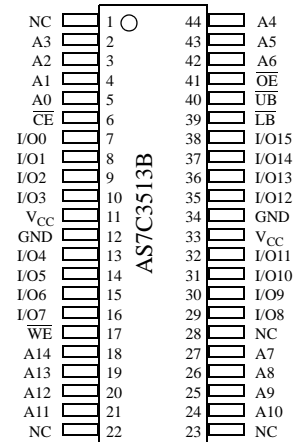
- Industrial and commercial temperature
- Organization: 32,768 words × 16 bits
- Center power and ground pins
- High speed
- 10/12/15/20 ns address access time
- 5, 6, 7, 8 ns output enable access time
- Low power consumption: ACTIVE
- 288 mW / max @ 10 ns
- Low power consumption: STANDBY
- 18 mW / max CMOS
- 6T 0.18μm CMOS Technology
- Easy memory expansion with \overline{CE} , \overline{OE} inputs
- TTL-compatible, three-state I/O
- 44-pin JEDEC standard package
- 400 mil SOJ
- 400 mil TSOP 2
- ESD protection ≥ 2000 volts
- Latch-up current ≥ 200 mA

Logic block diagram



Pin arrangement

44-Pin SOJ, TSOP 2 (400 mil)



Selection guide

| | -10 | -12 | -15 | -20 | Unit |
|-----------------------------------|-----|-----|-----|-----|------|
| Maximum address access time | 10 | 12 | 15 | 20 | ns |
| Maximum output enable access time | 5 | 6 | 7 | 8 | ns |
| Maximum operating current | 80 | 75 | 70 | 65 | mA |
| Maximum CMOS standby current | 5 | 5 | 5 | 5 | mA |



Functional description

The AS7C3513B is a high performance CMOS 524,288-bit Static Random Access Memory (SRAM) device organized as 32,768 words \times 16 bits. They are designed for memory applications where fast data access, low power, and simple interfacing are desired.

Equal address access and cycle times (t_{AA} , t_{RC} , t_{WC}) of 10/12/15/20 ns with output enable access times (t_{OE}) of 5, 6, 7, 8 ns are ideal for high performance applications. The chip enable input \overline{CE} permits easy memory expansion with multiple-bank memory systems.

When \overline{CE} is high, the device enters standby mode. If inputs are still toggling, the device consumes I_{SB} power. If the bus is static, then the full standby power is reached (I_{SB1}). The AS7C3513B is guaranteed not to exceed 18mW power consumption under nominal full standby conditions.

A write cycle is accomplished by asserting write enable (\overline{WE}), (\overline{UB}) and/or (\overline{LB}), and chip enable (\overline{CE}). Data on the input pins I/O0 - I/O7, and/or I/O8 - I/O15, is written on the rising edge of \overline{WE} (write cycle 1) or \overline{CE} (write cycle 2). To avoid bus contention, external devices should drive I/O pins only after outputs have been disabled with output enable (\overline{OE}) or write enable (\overline{WE}).

A read cycle is accomplished by asserting output enable (\overline{OE}), (\overline{UB}) and (\overline{LB}), and chip enable (\overline{CE}), with write enable (\overline{WE}) high. The chips drive I/O pins with the data word referenced by the input address. When either chip enable or output enable is inactive, or write enable is active, or (\overline{UB}) and (\overline{LB}), output drivers stay in high-impedance mode.

The devices provide multiple center power and ground pins, and separate byte enable controls, allowing individual bytes to be written and read. \overline{LB} controls the lower bits, I/O0 - I/O7, and \overline{UB} controls the higher bits, I/O8 - I/O15.

All chip inputs and outputs are TTL-compatible. The AS7C3513B is packaged in common industry standard packages.

Absolute maximum ratings

| Parameter | Symbol | Min | Max | Unit |
|---|------------|-------|-----------------|-------------|
| Voltage on V_{CC} relative to GND | V_{t1} | -0.50 | +5.0 | V |
| Voltage on any pin relative to GND | V_{t2} | -0.50 | $V_{CC} + 0.50$ | V |
| Power dissipation | P_D | - | 1.0 | W |
| Storage temperature (plastic) | T_{stg} | -65 | +150 | $^{\circ}C$ |
| Ambient temperature with V_{CC} applied | T_{bias} | -55 | +125 | $^{\circ}C$ |
| DC current into outputs (low) | I_{OUT} | - | 20 | mA |

NOTE: Stresses greater than those listed under *Absolute Maximum Ratings* may cause permanent damage to the device. This is a stress rating only and functional operation of the device at these or any other conditions outside those indicated in the operational sections of this specification is not implied. Exposure to absolute maximum rating conditions for extended periods may affect reliability.

Truth table

| \overline{CE} | \overline{WE} | \overline{OE} | \overline{LB} | \overline{UB} | I/O0-I/O7 | I/O8-I/O15 | Mode |
|-----------------|-----------------|-----------------|-----------------|-----------------|-----------|------------|----------------------------------|
| H | X | X | X | X | High Z | High Z | Standby (I_{SB} , I_{SB1}) |
| L | H | L | L | H | D_{OUT} | High Z | Read I/O0-I/O7 (I_{CC}) |
| L | H | L | H | L | High Z | D_{OUT} | Read I/O8-I/O15 (I_{CC}) |
| L | H | L | L | L | D_{OUT} | D_{OUT} | Read I/O0-I/O15 (I_{CC}) |
| L | L | X | L | L | D_{IN} | D_{IN} | Write I/O0-I/O15 (I_{CC}) |
| L | L | X | L | H | D_{IN} | High Z | Write I/O0-I/O7 (I_{CC}) |
| L | L | X | H | L | High Z | D_{IN} | Write I/O8-I/O15 (I_{CC}) |
| L | H | H | X | X | High Z | High Z | Output disable (I_{CC}) |
| L | X | X | H | H | High Z | High Z | |

Key: X = Don't care; L = Low; H = High



Recommended operating conditions

| Parameter | Symbol | Min | Typical | Max | Unit | |
|-------------------------------|------------|-------|---------|----------------|------|----|
| Supply voltage | V_{CC} | 3.0 | 3.3 | 3.6 | V | |
| Input voltage | V_{IH} | 2.0 | - | $V_{CC} + 0.5$ | | |
| | V_{IL} | -0.5 | - | 0.8 | V | |
| Ambient operating temperature | commercial | T_A | 0 | - | 70 | °C |
| | industrial | T_A | -40 | - | 85 | °C |

$V_{IL} = -1.0V$ for pulse width less than 5ns

$V_{IH} = V_{CC} + 1.5V$ for pulse width less than 5ns

DC operating characteristics (over the operating range)¹

| Parameter | Sym | Test conditions | -10 | | -12 | | -15 | | -20 | | Unit |
|--------------------------------|------------|---|-----|-----|-----|-----|-----|-----|-----|-----|---------------|
| | | | Min | Max | Min | Max | Min | Max | Min | Max | |
| Input leakage current | $ I_{LI} $ | $V_{CC} = \text{Max}$ $V_{IN} = \text{GND to } V_{CC}$ | - | 1 | - | 1 | - | 1 | - | 1 | μA |
| Output leakage current | $ I_{LO} $ | $V_{CC} = \text{Max}$ $V_{OUT} = \text{GND to } V_{CC}$ | - | 1 | - | 1 | - | 1 | - | 1 | μA |
| Operating power supply current | I_{CC} | $V_{CC} = \text{Max}, \overline{CE} \leq V_{IL}$ $f = f_{\text{Max}}, I_{OUT} = 0\text{mA}$ | - | 80 | - | 75 | - | 70 | - | 65 | mA |
| Standby power supply current | I_{SB} | $V_{CC} = \text{Max}, \overline{CE} \geq V_{IH}$ $f = f_{\text{Max}}$ | - | 30 | - | 25 | - | 20 | - | 20 | mA |
| | I_{SB1} | $V_{CC} = \text{Max}, \overline{CE} \geq V_{CC} - 0.2V$ $V_{IN} \leq 0.2V$ or $V_{IN} \geq V_{CC} - 0.2V$, $f = 0$ | - | 5 | - | 5 | - | 5 | - | 5 | mA |
| Output voltage | V_{OL} | $I_{OL} = 8\text{mA}, V_{CC} = \text{Min}$ | - | 0.4 | - | 0.4 | - | 0.4 | - | 0.4 | V |
| | V_{OH} | $I_{OH} = -4\text{mA}, V_{CC} = \text{Min}$ | 2.4 | - | 2.4 | - | 2.4 | - | 2.4 | - | V |

Capacitance ($f = 1\text{MHz}, T_a = 25^\circ\text{C}, V_{CC} = \text{NOMINAL}$)²

| Parameter | Symbol | Signals | Test conditions | Max | Unit |
|-------------------|-----------|--|-------------------------|-----|------|
| Input capacitance | C_{IN} | A, \overline{CE} , \overline{WE} , \overline{OE} , \overline{LB} , \overline{UB} | $V_{in} = 0V$ | 5 | pF |
| I/O capacitance | $C_{I/O}$ | I/O | $V_{in} = V_{out} = 0V$ | 7 | pF |



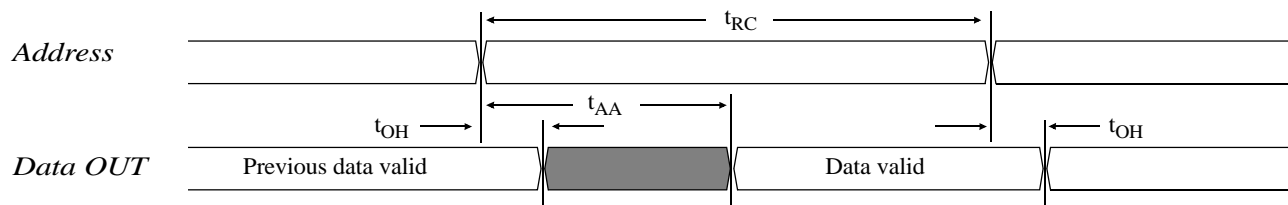
Read cycle (over the operating range)^{3,9}

| Parameter | Symbol | -10 | | -12 | | -15 | | -20 | | Unit | Notes |
|---|-----------|-----|-----|-----|-----|-----|-----|-----|-----|------|-------|
| | | Min | Max | Min | Max | Min | Max | Min | Max | | |
| Read cycle time | t_{RC} | 10 | – | 12 | – | 15 | – | 20 | – | ns | |
| Address access time | t_{AA} | – | 10 | – | 12 | – | 15 | – | 20 | ns | 3 |
| Chip enable (\overline{CE}) access time | t_{ACE} | – | 10 | – | 12 | – | 15 | – | 20 | ns | 3 |
| Output enable (\overline{OE}) access time | t_{OE} | – | 5 | – | 6 | – | 7 | – | 8 | ns | |
| Output hold from address change | t_{OH} | 3 | – | 3 | – | 3 | – | 3 | – | ns | 5 |
| \overline{CE} low to output in low Z | t_{CLZ} | 3 | – | 3 | – | 3 | – | 3 | – | ns | 4, 5 |
| \overline{CE} high to output in high Z | t_{CHZ} | – | 3 | – | 3 | – | 4 | – | 5 | ns | 4, 5 |
| \overline{OE} low to output in low Z | t_{OLZ} | 0 | – | 0 | – | 0 | – | 0 | – | ns | 4, 5 |
| Byte select access time | t_{BA} | – | 5 | – | 6 | – | 7 | – | 8 | ns | |
| Byte select Low to low Z | t_{BLZ} | 0 | – | 0 | – | 0 | – | 0 | – | ns | 4, 5 |
| Byte select High to high Z | t_{BHZ} | – | 5 | – | 6 | – | 6 | – | 8 | ns | 4, 5 |
| \overline{OE} high to output in high Z | t_{OHZ} | – | 5 | – | 6 | – | 7 | – | 8 | ns | 4, 5 |
| Power up time | t_{PU} | 0 | – | 0 | – | 0 | – | 0 | – | ns | 4, 5 |
| Power down time | t_{PD} | – | 10 | – | 12 | – | 15 | – | 20 | ns | 4, 5 |

Key to switching waveforms

 Rising input
  Falling input
  Undefined output/don't care

Read waveform 1 (address controlled)^{3,6,7,9}



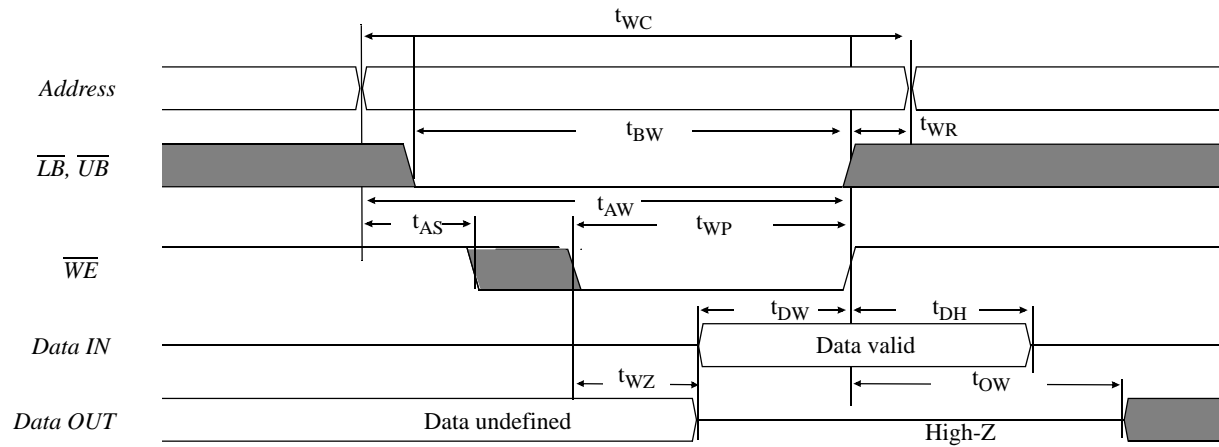

Read waveform 2 (\overline{CE} , \overline{OE} , \overline{UB} , \overline{LB} controlled)^{3,6,8,9}

Write cycle (over the operating range)¹¹

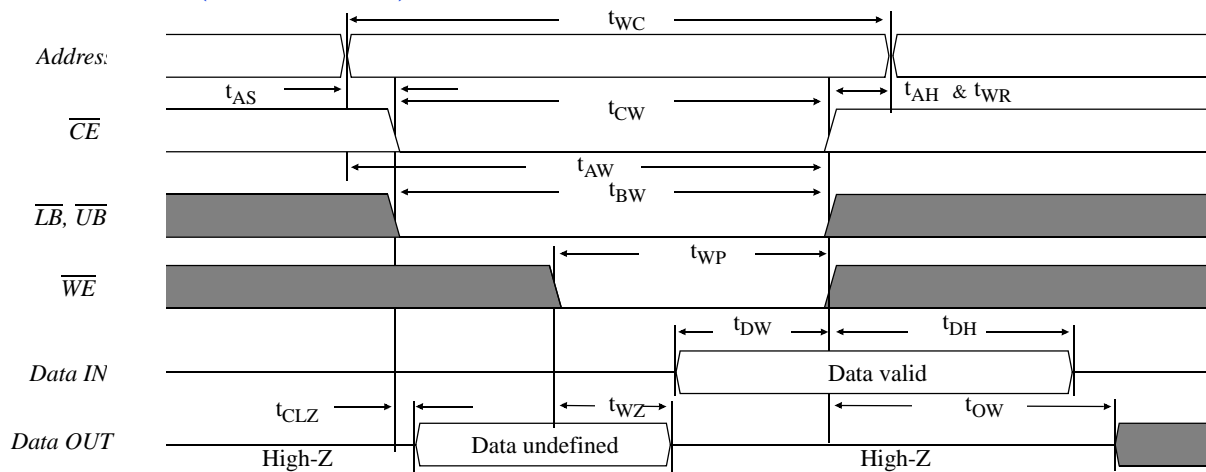
| Parameter | Symbol | -10 | | -12 | | -15 | | -20 | | Unit | Notes |
|--|----------|-----|-----|-----|-----|-----|-----|-----|-----|------|-------|
| | | Min | Max | Min | Max | Min | Max | Min | Max | | |
| Write cycle time | t_{WC} | 10 | – | 12 | – | 15 | – | 20 | – | ns | |
| Chip enable (\overline{CE}) to write end | t_{CW} | 8 | – | 9 | – | 10 | – | 12 | – | ns | |
| Address setup to write end | t_{AW} | 8 | – | 9 | – | 10 | – | 12 | – | ns | |
| Address setup time | t_{AS} | 0 | – | 0 | – | 0 | – | 0 | – | ns | |
| Write pulse width | t_{WP} | 7 | – | 8 | – | 9 | – | 12 | – | ns | |
| Write recovery time | t_{WR} | 0 | – | 0 | – | 0 | – | 0 | – | ns | |
| Address hold from end of write | t_{AH} | 0 | – | 0 | – | 0 | – | 0 | – | ns | |
| Data valid to write end | t_{DW} | 5 | – | 6 | – | 8 | – | 10 | – | ns | |
| Data hold time | t_{DH} | 0 | – | 0 | – | 0 | – | 0 | – | ns | 5 |
| Write enable to output in high Z | t_{WZ} | – | 5 | – | 6 | – | 7 | – | 8 | ns | 4, 5 |
| Output active from write end | t_{OW} | 1 | – | 1 | – | 1 | – | 2 | – | ns | 4, 5 |
| Byte select low to end of write | t_{BW} | 7 | – | 8 | – | 9 | – | 9 | – | ns | |



Write waveform 1 (\overline{WE} controlled)¹¹



Write waveform 2 (\overline{CE} controlled)¹¹





AC test conditions

- Output load: see Figure B.
- Input pulse level: GND to 3.0V. See Figure A.
- Input rise and fall times: 2 ns. See Figure A.
- Input and output timing reference levels: 1.5V.



Figure A: Input pulse



Figure B: 3.3V Output load

Notes

- 1 During V_{CC} power-up, a pull-up resistor to V_{CC} on \overline{CE} is required to meet I_{SB} specification.
- 2 This parameter is sampled, but not 100% tested.
- 3 For test conditions, see *AC Test Conditions*, Figures A and B.
- 4 These parameters are specified with $C_L = 5\text{pF}$, as in Figure B. Transition is measured $\pm 500\text{mV}$ from steady-state voltage.
- 5 This parameter is guaranteed, but not 100% tested.
- 6 \overline{WE} is High for read cycle.
- 7 \overline{CE} and \overline{OE} are Low for read cycle.
- 8 Address valid prior to or coincident with \overline{CE} transition Low.
- 9 All read cycle timings are referenced from the last valid address to the first transitioning address.
- 10 Not applicable.
- 11 All write cycle timings are referenced from the last valid address to the first transitioning address.
- 12 Not applicable.
- 13 $C = 30\text{pF}$, except on High Z and Low Z parameters, where $C = 5\text{pF}$.



Package dimensions



| Symbol | 44-pin TSOP 2 | |
|----------------|----------------|----------|
| | Min (mm) | Max (mm) |
| A | | 1.2 |
| A ₁ | 0.05 | 0.15 |
| A ₂ | 0.95 | 1.05 |
| b | 0.3 | 0.45 |
| c | 0.12 | 0.21 |
| d | 18.31 | 18.52 |
| e | 10.06 | 10.26 |
| H _e | 11.68 | 11.94 |
| E | 0.80 (typical) | |
| l | 0.40 | 0.60 |



| Symbol | 44-pin SOJ 400 mil | |
|----------------|-----------------------|-------|
| | Min | Max |
| A | 0.128 | 0.148 |
| A ₁ | 0.025 | - |
| A ₂ | 0.105 | 0.115 |
| B | 0.026 | 0.032 |
| b | 0.015 | 0.020 |
| c | 0.007 | 0.013 |
| D | 1.120 | 1.130 |
| E | 0.370 NOM | |
| E ₁ | 0.395 | 0.405 |
| E ₂ | 0.435 | 0.445 |
| e | 0.050 NOM | |



Ordering codes

| Package\Access time | | 10 ns | 12 ns | 15 ns | 20 ns |
|----------------------|------------|----------------|----------------|----------------|----------------|
| Plastic SOJ, 400 mil | Commercial | AS7C3513B-10JC | AS7C3513B-12JC | AS7C3513B-15JC | AS7C3513B-20JC |
| | Industrial | AS7C3513B-10JI | AS7C3513B-12JI | AS7C3513B-15JI | AS7C3513B-20JI |
| TSOP 2, 18.4×10.2 mm | Commercial | AS7C3513B-10TC | AS7C3513B-12TC | AS7C3513B-15TC | AS7C3513B-20TC |
| | Industrial | AS7C3513B-10TI | AS7C3513B-12TI | AS7C3513B-15TI | AS7C3513B-20TI |

Note:

Add suffix 'N' to the above part number for lead free parts (Ex. AS7C3513B-10JCN)

Part numbering system

| AS7C | 3 | 513B | -XX | X | C | X |
|-------------|-----------------------|---------------|-------------|--|--|------------------|
| SRAM prefix | Voltage: 3.3V CMOS | Device number | Access time | Package: J = SOJ 400 mil T = TSOP 2 18.4×10.2 mm | Temperature range: C = Commercial, 0°C to 70°C I = Industrial, -40°C to 85°C | N=Lead Free Part |



Alliance Semiconductor Corporation
2575, Augustine Drive,
Santa Clara, CA 95054
Tel: 408 - 855 - 4900
Fax: 408 - 855 - 4999
www.alsc.com

Copyright © Alliance Semiconductor
All Rights Reserved
Part Number: AS7C3513B
Document Version: v.1.2

© Copyright 2003 Alliance Semiconductor Corporation. All rights reserved. Our three-point logo, our name and Intelliwatt are trademarks or registered trademarks of Alliance. All other brand and product names may be the trademarks of their respective companies. Alliance reserves the right to make changes to this document and its products at any time without notice. Alliance assumes no responsibility for any errors that may appear in this document. The data contained herein represents Alliance's best data and/or estimates at the time of issuance. Alliance reserves the right to change or correct this data at any time, without notice. If the product described herein is under development, significant changes to these specifications are possible. The information in this product data sheet is intended to be general descriptive information for potential customers and users, and is not intended to operate as, or provide, any guarantee or warranty to any user or customer. Alliance does not assume any responsibility or liability arising out of the application or use of any product described herein, and disclaims any express or implied warranties related to the sale and/or use of Alliance products including liability or warranties related to fitness for a particular purpose, merchantability, or infringement of any intellectual property rights, except as expressly agreed to in Alliance's Terms and Conditions of Sale (which are available from Alliance). All sales of Alliance products are made exclusively according to Alliance's Terms and Conditions of Sale. The purchase of products from Alliance does not convey a license under any patent rights, copyrights, mask works rights, trademarks, or any other intellectual property rights of Alliance or third parties. Alliance does not authorize its products for use as critical components in life-supporting systems where a malfunction or failure may reasonably be expected to result in significant injury to the user, and the inclusion of Alliance products in such life-supporting systems implies that the manufacturer assumes all risk of such use and agrees to indemnify Alliance against all claims arising from such use.

Компания «Океан Электроники» предлагает заключение долгосрочных отношений при поставках импортных электронных компонентов на взаимовыгодных условиях!

Наши преимущества:

- Поставка оригинальных импортных электронных компонентов напрямую с производств Америки, Европы и Азии, а так же с крупнейших складов мира;
- Широкая линейка поставок активных и пассивных импортных электронных компонентов (более 30 млн. наименований);
- Поставка сложных, дефицитных, либо снятых с производства позиций;
- Оперативные сроки поставки под заказ (от 5 рабочих дней);
- Экспресс доставка в любую точку России;
- Помощь Конструкторского Отдела и консультации квалифицированных инженеров;
- Техническая поддержка проекта, помощь в подборе аналогов, поставка прототипов;
- Поставка электронных компонентов под контролем ВП;
- Система менеджмента качества сертифицирована по Международному стандарту ISO 9001;
- При необходимости вся продукция военного и аэрокосмического назначения проходит испытания и сертификацию в лаборатории (по согласованию с заказчиком);
- Поставка специализированных компонентов военного и аэрокосмического уровня качества (Xilinx, Altera, Analog Devices, Intersil, Interpoint, Microsemi, Actel, Aeroflex, Peregrine, VPT, Syfer, Eurofarad, Texas Instruments, MS Kennedy, Miteq, Cobham, E2V, MA-COM, Hittite, Mini-Circuits, General Dynamics и др.);

Компания «Океан Электроники» является официальным дистрибьютором и эксклюзивным представителем в России одного из крупнейших производителей разъемов военного и аэрокосмического назначения «JONHON», а так же официальным дистрибьютором и эксклюзивным представителем в России производителя высокотехнологичных и надежных решений для передачи СВЧ сигналов «FORSTAR».



JONHON

«JONHON» (основан в 1970 г.)

Разъемы специального, военного и аэрокосмического назначения:

(Применяются в военной, авиационной, аэрокосмической, морской, железнодорожной, горно- и нефтедобывающей отраслях промышленности)

«FORSTAR» (основан в 1998 г.)

ВЧ соединители, коаксиальные кабели, кабельные сборки и микроволновые компоненты:

(Применяются в телекоммуникациях гражданского и специального назначения, в средствах связи, РЛС, а так же военной, авиационной и аэрокосмической отраслях промышленности).



Телефон: 8 (812) 309-75-97 (многоканальный)

Факс: 8 (812) 320-03-32

Электронная почта: ocean@oceanchips.ru

Web: <http://oceanchips.ru/>

Адрес: 198099, г. Санкт-Петербург, ул. Калинина, д. 2, корп. 4, лит. А