

Quad High-Voltage Amplifier Array

Features

- Four Independent High-voltage Amplifiers
- 190V Output Swing
- 9V/ μ s Typical Output Slew Rate
- 66.7V/V Fixed Gain
- High-value Internal Feedback Resistors
- Very Low Operating Current

Applications

- Tunable Laser
- Microelectromechanical Systems (MEMS) Driver
- Test Equipment
- Piezoelectric Transducer Driver
- Braille Driver

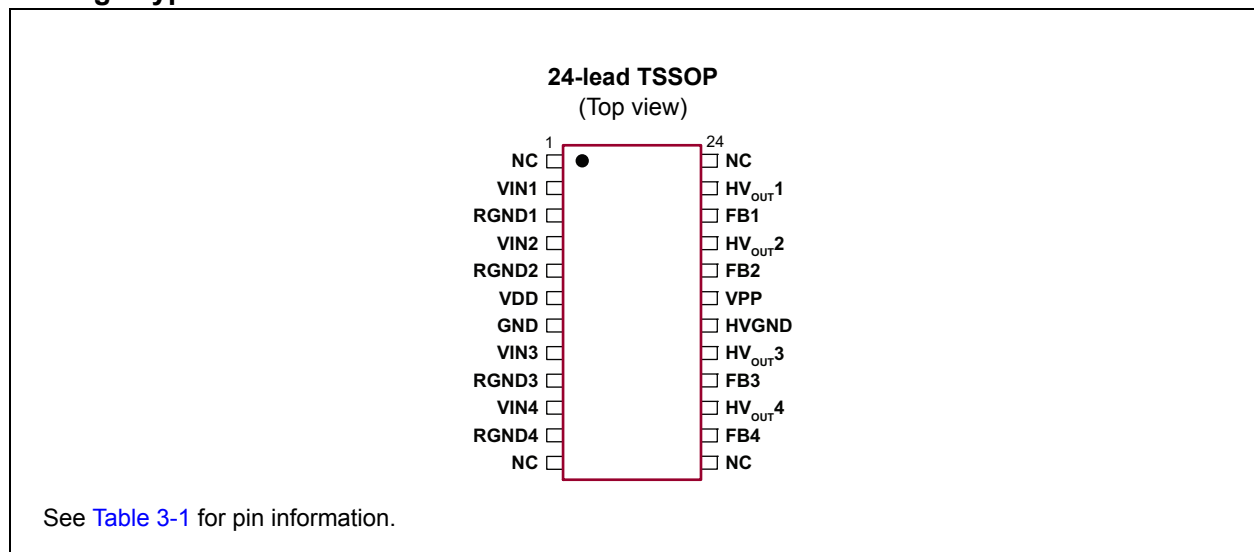
General Description

The HV264 is a quad high-voltage amplifier array integrated circuit. It operates on a 200V high-voltage supply and a 5V low-voltage supply. Each channel has its own input and output.

When both V_{OUT} and FB pins are connected together and RGND is set at 0V, a non-inverting amplifier is formed with a closed-loop gain of 66.7V/V. High-value internal feedback resistors are used to minimize power dissipation. The input voltage V_{IN} is designed for a range of 0.05V to 2.85V. The output can swing from 1V to $V_{PP}-10V$. A 2.85V input will cause the output to swing to 190V.

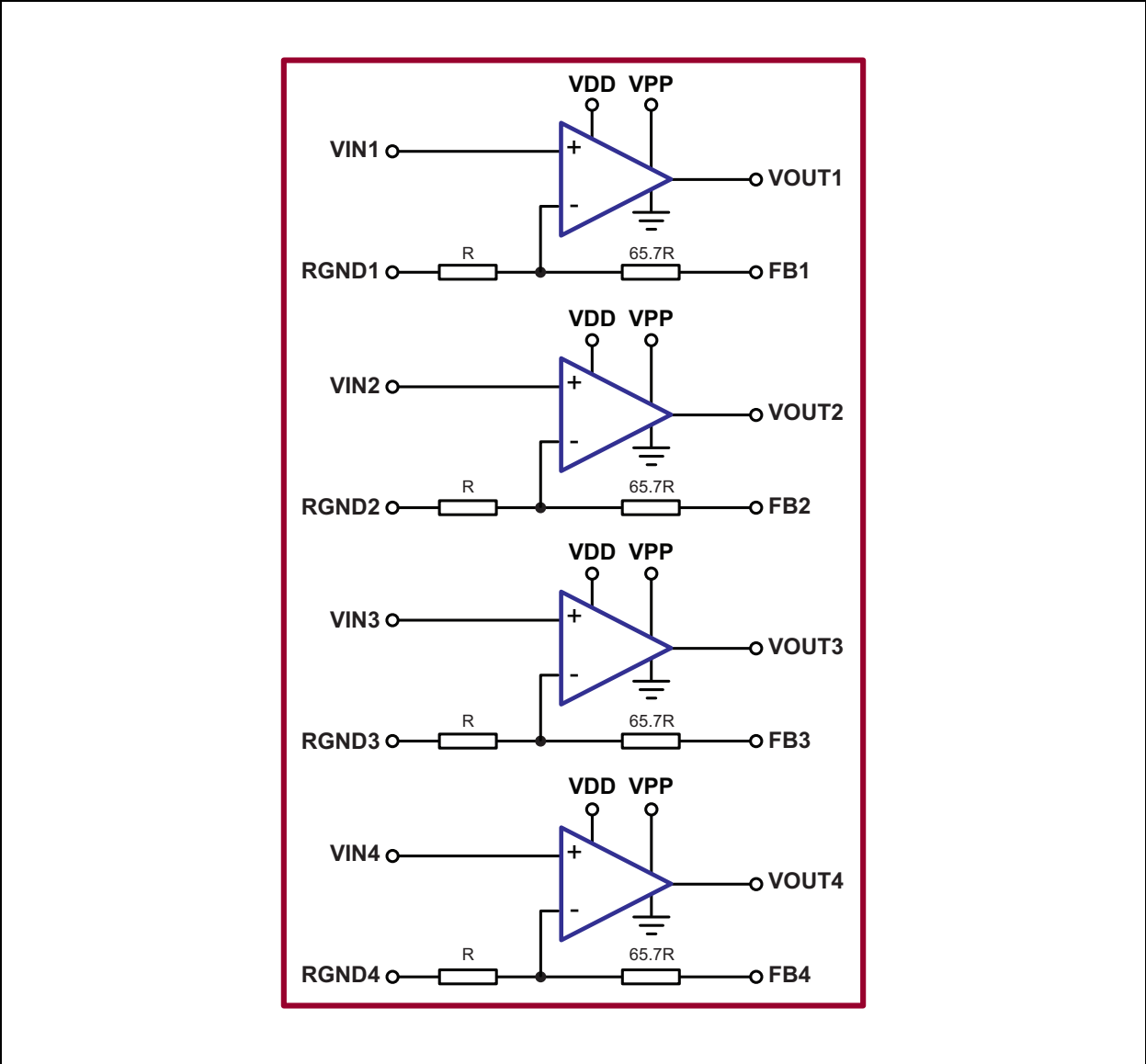
The HV264 is designed for maximum performance with minimal high-voltage current. The high-voltage current for each channel is less than 75 μ A. The typical output slew rate performance is 9V/ μ s.

Package Type

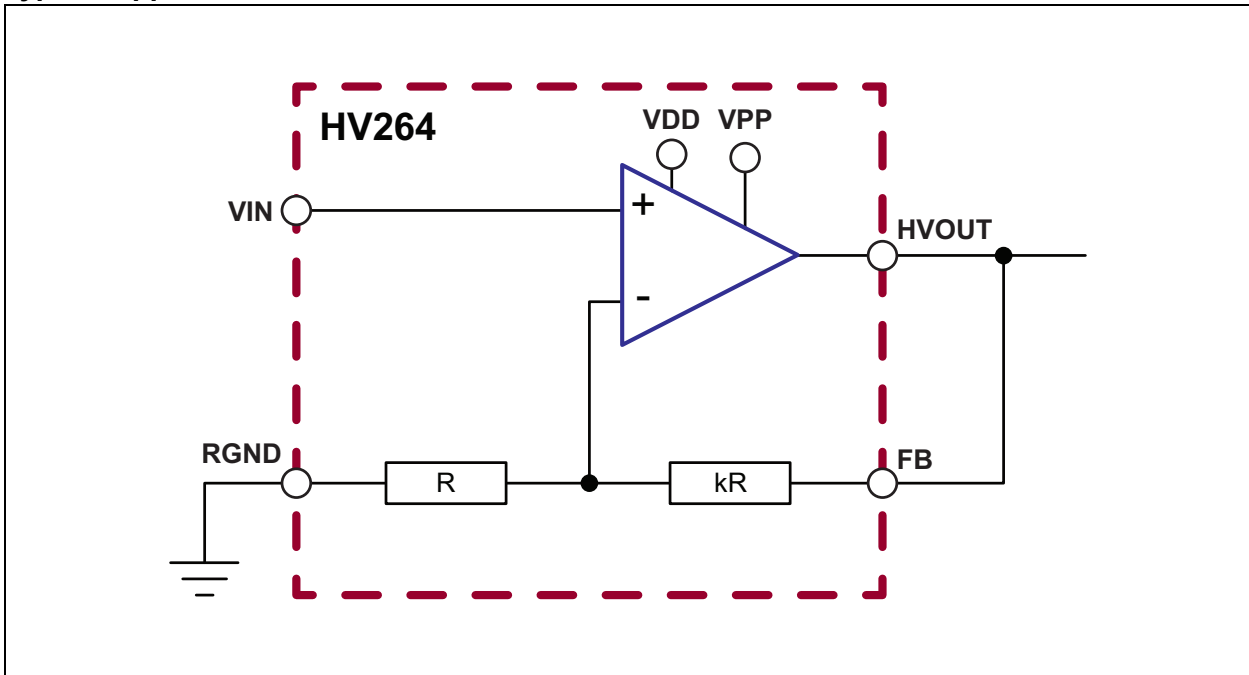


HV264

Functional Block Diagram



Typical Application Circuit



HV264

1.0 ELECTRICAL CHARACTERISTICS

Absolute Maximum Ratings†

High-voltage Supply, V_{PP}	225V
Low-voltage Supply, V_{DD}	6.5V
Output Voltage, HV_{OUT}	0V to V_{PP}
Analog Input Signal, V_{IN}	0V to V_{DD}
Maximum Junction Temperature, T_J	150°C
Storage Temperature, T_S	-65°C to +150°C
ESD Rating (Note 1)	ESD Sensitive

† **Notice:** Stresses above those listed under “Absolute Maximum Ratings” may cause permanent damage to the device. This is a stress rating only, and functional operation of the device at those or any other conditions above those indicated in the operational sections of this specification is not intended. Exposure to maximum rating conditions for extended periods may affect device reliability.

Note 1: Device is ESD sensitive. Handling precautions are recommended.

RECOMMENDED OPERATING CONDITIONS

Parameter	Sym.	Min.	Typ.	Max.	Unit	Conditions
High-voltage Positive Supply	V_{PP}	50	—	200	V	
Low-voltage Positive Supply	V_{DD}	4.5	5	5.5	V	
Input Ground Range	R_{GND}	0	0	V_{DD}	V	
V_{PP} Supply Current	I_{PP}	—	—	300	μA	$V_{PP} = 200V$, all inputs at 0V
V_{DD} Supply Current	I_{DD}	—	—	5	mA	$V_{DD} = 5.5V$
Operating Ambient Temperature	T_A	-40	—	85	°C	
Operating Junction Temperature	T_J	-40	—	100	°C	

DC ELECTRICAL CHARACTERISTICS

Electrical Specifications: Over operating conditions unless otherwise noted, $T_J = 25^\circ\text{C}$.						
Parameter	Sym.	Min.	Typ.	Max.	Unit	Conditions
HV _{OUT} Voltage Swing	HV _{OUT}	1	—	$V_{PP}-10$	V	No load
HV _{OUT} Sink Current	I _{SINK}	3	—	—	mA	
HV _{OUT} Source Current	I _{SOURCE}	3	—	—	mA	
Input Voltage Range	V _{IN}	0	—	$V_{DD}-1.5$	V	
V _{IN} Input Current	I _{IN}	—	—	50	nA	
HV _{OUT} DC Offset	HV _{OS}	—	—	± 1	V	V _{IN} = 0.2V

AC ELECTRICAL CHARACTERISTICS

Electrical Specifications: Over operating conditions unless otherwise noted, $T_J = 25^\circ\text{C}$.						
Parameter	Sym.	Min.	Typ.	Max.	Unit	Conditions
HV _{OUT} Slew Rate—Rising Edge	SR	5	9	30	V/ μs	V _{PP} = 200V, Load = 15 pF, measured between 10% to 90% of HV _{OUT}
HV _{OUT} Slew Rate—Falling Edge		—	9	—	V/ μs	
Feedback Impedance, R _f + R _i	R _{FB}	3.5	5.3	—	M Ω	
Closed-loop Gain	A _V	63.4	66.7	70	V/V	
HV _{OUT} -3 dB Channel Bandwidth	BW	25	—	—	kHz	V _{PP} = 200V, Load = 15 pF
HV _{OUT} Capacitive Load	C _{LOAD}	0	—	15	pF	
Output Referred Noise	V _N	—	—	10	mV _{RMS}	Measured at HV _{OUT} , 0 kHz to 1 kHz single pole, V _{IN} = 0.2V
V _{DD} Power Supply Rejection Ratio	PSRR1	55	—	—	dB	V _{DD} = 4.5V to 5.5V V _{PP} = 200V, V _{IN} = 0.1V
V _{PP} Power Supply Rejection Ratio	PSRR2	60	—	—	dB	V _{DD} = 5V, V _{PP} = 50V to 200V, V _{IN} = 0.1V
Crosstalk	Xtalk	—	—	-80	dB	Output referred

TEMPERATURE SPECIFICATIONS

Parameter	Sym.	Min.	Typ.	Max.	Unit	Conditions
TEMPERATURE RANGE						
Operating Ambient Temperature	T _A	-40	—	85	$^\circ\text{C}$	
Operating Junction Temperature	T _J	-40	—	100	$^\circ\text{C}$	
Storage Temperature	T _S	-65	—	150	$^\circ\text{C}$	
PACKAGE THERMAL RESISTANCE						
24-lead TSSOP	θ_{JA}	—	72	—	$^\circ\text{C}/\text{W}$	

HV264

2.0 TYPICAL PERFORMANCE CURVES

Note: The graphs and tables provided following this note are a statistical summary based on a limited number of samples and are provided for informational purposes only. The performance characteristics listed herein are not tested or guaranteed. In some graphs or tables, the data presented may be outside the specified operating range (e.g. outside specified power supply range) and therefore outside the warranted range.

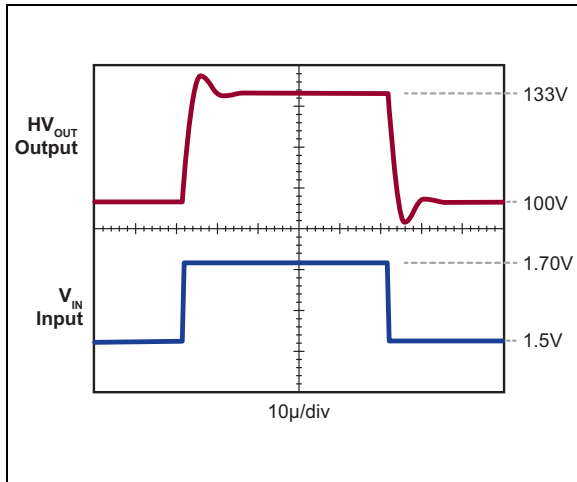


FIGURE 2-1: Typical Small-signal Pulse Response.

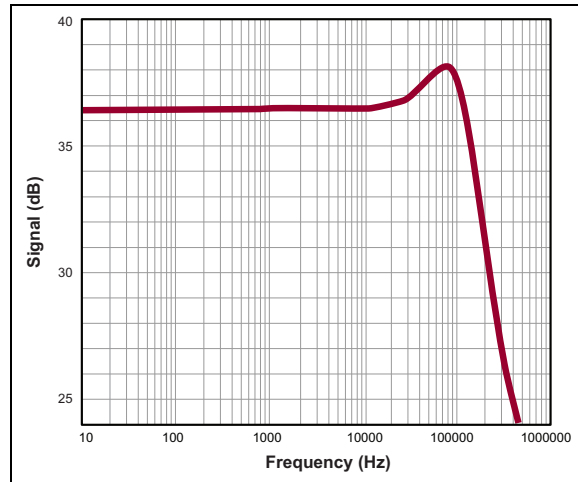


FIGURE 2-3: Typical Bode Plot of Small-signal Gain ($V_{IN} = 0.2 V_{P-P}$, $V_{DC} = 1.5V$, $V_{DD} = 5V$ and $V_{PP} = 200V$).

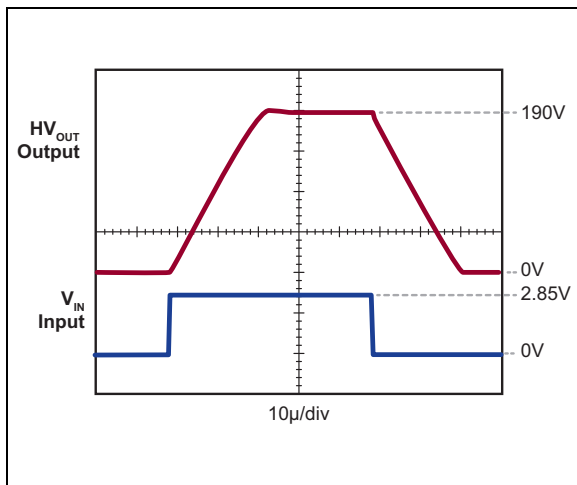


FIGURE 2-2: Typical Large-signal Pulse Response.

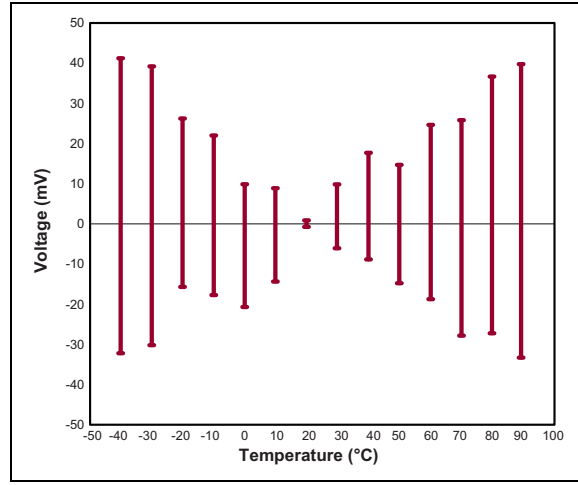


FIGURE 2-4: Distribution of Typical HV_{OUT} Deviation over Temperature ($V_{IN} = 0.1 V_{DC}$, $1.6 V_{DC}$, $3.3 V_{DC}$, in reference to $20^{\circ}C$).

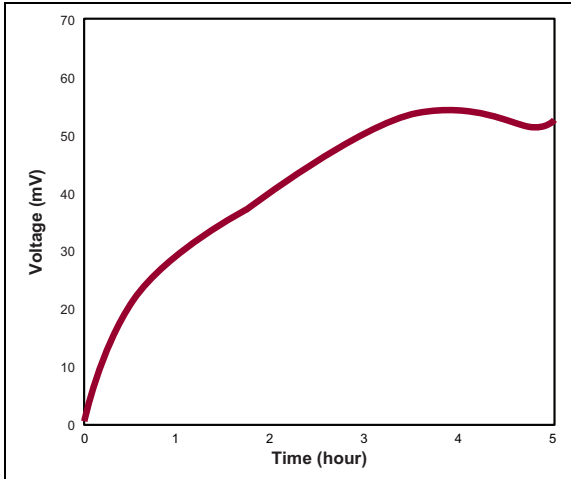


FIGURE 2-5: Typical HV_{OUT} Drift Over Time ($V_{PP} = 200V$, $V_{DD} = 5.5V$, $V_{IN} = 0.2V$, Room Temperature and 50 pF Output Loading).

HV264

3.0 PIN DESCRIPTION

The details on the pins of HV264 are listed on [Table 3-1](#). Refer to [Package Type](#) for the location of pins.

TABLE 3-1: PIN FUNCTION TABLE

Pin Number	Pin Name	Description
1	NC	No connection
2	VIN1	Amplifier Input 1
3	RGND1	Resistor ground for Channel 1. Typically grounded. Can be connected to a voltage source to create a DC offset.
4	VIN2	Amplifier Input 2
5	RGND2	Resistor ground for Channel 2. Typically grounded. Can be connected to a voltage source to create a DC offset.
6	VDD	Low-voltage positive supply
7	GND	Device ground
8	VIN3	Amplifier Input 3
9	RGND3	Resistor ground for Channel 3. Typically grounded. Can be connected to a voltage source to create a DC offset.
10	VIN4	Amplifier Input 4
11	RGND4	Resistor ground for Channel 4. Typically grounded. Can be connected to a voltage source to create a DC offset.
12	NC	No connection
13	NC	No connection
14	FB4	Feedback Input 4
15	HVOUT4	Amplifier Output 4
16	FB3	Feedback Input 3
17	HVOUT3	Amplifier Output 3
18	HVGND	Device high-voltage supply ground
19	VPP	High-voltage positive supply
20	FB2	Feedback Input 2
21	HVOUT2	Amplifier Output 2
22	FB1	Feedback Input 1
23	HVOUT1	Amplifier Output 1
24	NC	No connection

4.0 FUNCTIONAL DESCRIPTION

4.1 Power-up/Power-down Sequence

The device can be damaged due to improper power-up/power-down sequence. To avoid this, please follow the acceptable power-up and power-down sequences in [Table 4-1](#) and [Table 4-2](#) and add an external diode across V_{PP} and V_{DD} where the anode of the diode is connected to V_{DD} and the cathode of the diode is connected to V_{PP} . Any low-current high-voltage diode such as a 1N4004 will be adequate.

TABLE 4-1: ACCEPTABLE POWER-UP SEQUENCES

Option 1		Option 2	
Step	Description	Step	Description
1	V_{DD}	1	V_{DD}
2	V_{PP}	2	Inputs
3	Inputs	3	V_{PP}

TABLE 4-2: ACCEPTABLE POWER-DOWN SEQUENCES

Option 1		Option 2	
Step	Description	Step	Description
1	Inputs	1	V_{PP}
2	V_{PP}	2	Inputs
3	V_{DD}	3	V_{DD}

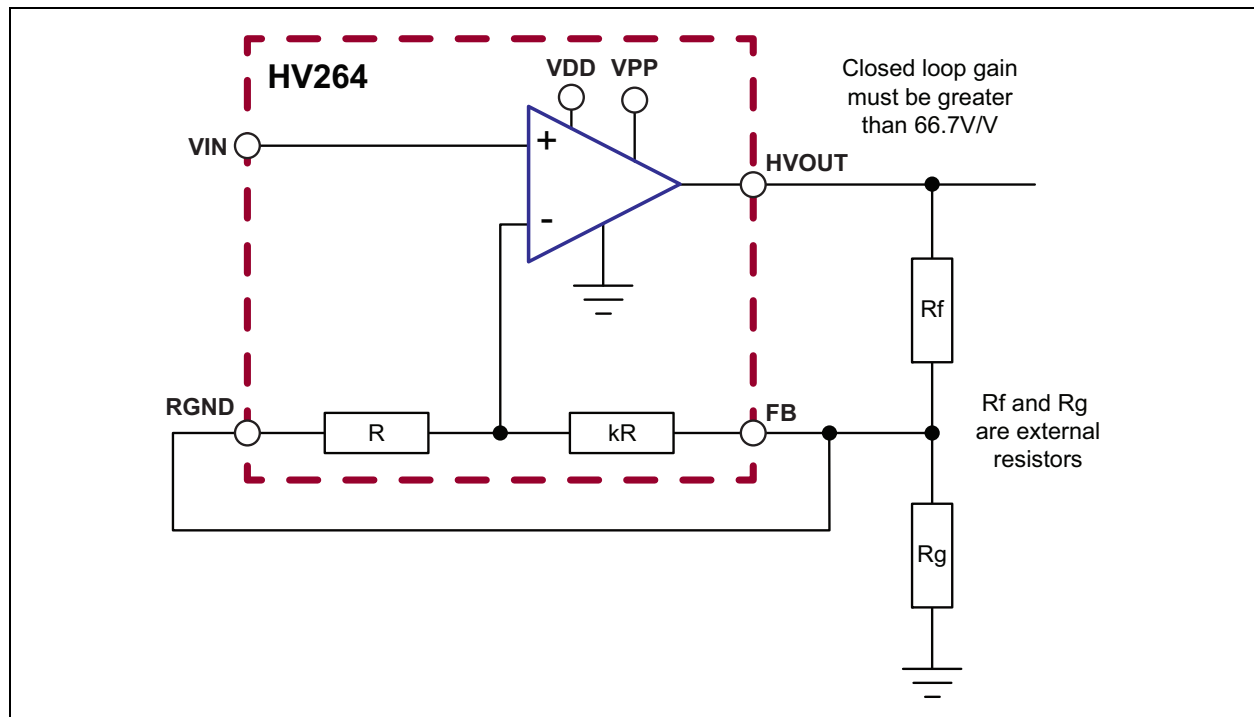
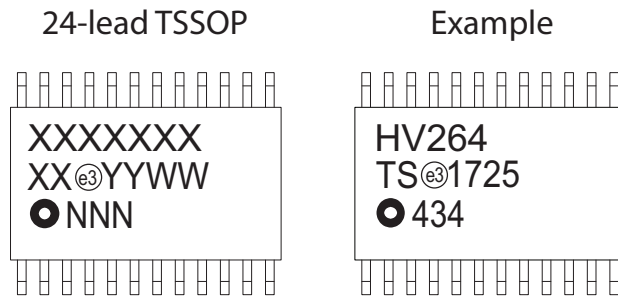


FIGURE 4-1: Application Circuit with External Gain Setting Resistors.

HV264

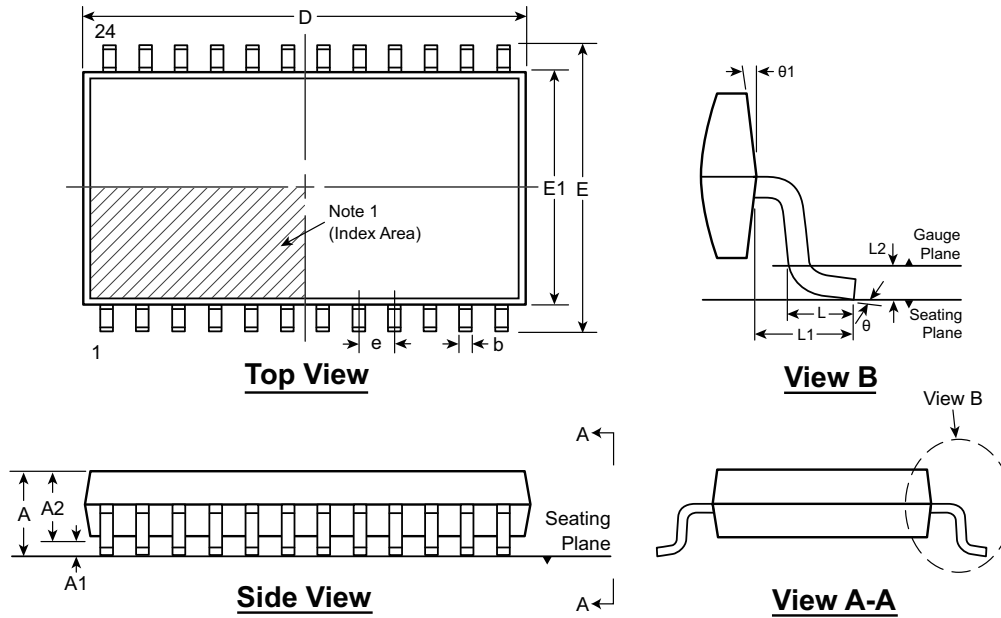
5.0 PACKAGE MARKING INFORMATION

5.1 Packaging Information



Legend:	XX...X	Product Code or Customer-specific information
	Y	Year code (last digit of calendar year)
	YY	Year code (last 2 digits of calendar year)
	WW	Week code (week of January 1 is week '01')
	NNN	Alphanumeric traceability code
	ⓔ3	Pb-free JEDEC [®] designator for Matte Tin (Sn)
	*	This package is Pb-free. The Pb-free JEDEC designator (ⓔ3) can be found on the outer packaging for this package.
Note:	In the event the full Microchip part number cannot be marked on one line, it will be carried over to the next line, thus limiting the number of available characters for product code or customer-specific information. Package may or not include the corporate logo.	

24-Lead TSSOP Package Outline (TS) 7.80x4.40mm body, 1.20mm height (max), 0.65mm pitch



Note: For the most current package drawings, see the Microchip Packaging Specification at www.microchip.com/packaging.

Note:

1. A Pin 1 identifier must be located in the index area indicated. The Pin 1 identifier can be: a molded mark/identifier; an embedded metal marker; or a printed indicator.

Symbol	A	A1	A2	b	D	E	E1	e	L	L1	L2	θ	θ_1	
Dimension (mm)	MIN	0.85*	0.05	0.80	0.19	7.70	6.20*	4.30	0.65 BSC	0.45	1.00 REF	0.25 BSC	0°	12° REF
	NOM	-	-	1.00	-	7.80	6.40	4.40		0.60		-		
	MAX	1.20	0.15	1.15†	0.30	7.90	6.60*	4.50		0.75		8°		

JEDEC Registration MS-153, Variation AD, Issue F, May 2001.

* This dimension is not specified in the JEDEC drawing.

† This dimension differs from the JEDEC drawing.

Drawings are not to scale.

HV264

NOTES:

APPENDIX A: REVISION HISTORY

Revision A (August 2017)

- Converted Supertex Doc# DSFP-HV264 to Microchip DS20005832A
- Changed the part marking format
- Made minor text changes throughout the document

HV264

PRODUCT IDENTIFICATION SYSTEM

To order or obtain information, e.g., on pricing or delivery, contact your local Microchip representative or sales office.

<u>PART NO.</u>	<u>XX</u>	-	<u>X</u>	-	<u>X</u>
Device	Package Options		Environmental		Media Type
Device:	HV264	=	Quad High-Voltage Amplifier Array		
Package:	TS	=	24-lead TSSOP		
Environmental:	G	=	Lead (Pb)-free/RoHS-compliant Package		
Media Type:	(blank)	=	2500/Reel for a TS Package		

Example:

a) HV264TS-G: Quad High-Voltage Amplifier Array, 24-lead TSSOP, 2500/Reel

Note the following details of the code protection feature on Microchip devices:

- Microchip products meet the specification contained in their particular Microchip Data Sheet.
- Microchip believes that its family of products is one of the most secure families of its kind on the market today, when used in the intended manner and under normal conditions.
- There are dishonest and possibly illegal methods used to breach the code protection feature. All of these methods, to our knowledge, require using the Microchip products in a manner outside the operating specifications contained in Microchip's Data Sheets. Most likely, the person doing so is engaged in theft of intellectual property.
- Microchip is willing to work with the customer who is concerned about the integrity of their code.
- Neither Microchip nor any other semiconductor manufacturer can guarantee the security of their code. Code protection does not mean that we are guaranteeing the product as “unbreakable.”

Code protection is constantly evolving. We at Microchip are committed to continuously improving the code protection features of our products. Attempts to break Microchip's code protection feature may be a violation of the Digital Millennium Copyright Act. If such acts allow unauthorized access to your software or other copyrighted work, you may have a right to sue for relief under that Act.

Information contained in this publication regarding device applications and the like is provided only for your convenience and may be superseded by updates. It is your responsibility to ensure that your application meets with your specifications. MICROCHIP MAKES NO REPRESENTATIONS OR WARRANTIES OF ANY KIND WHETHER EXPRESS OR IMPLIED, WRITTEN OR ORAL, STATUTORY OR OTHERWISE, RELATED TO THE INFORMATION, INCLUDING BUT NOT LIMITED TO ITS CONDITION, QUALITY, PERFORMANCE, MERCHANTABILITY OR FITNESS FOR PURPOSE. Microchip disclaims all liability arising from this information and its use. Use of Microchip devices in life support and/or safety applications is entirely at the buyer's risk, and the buyer agrees to defend, indemnify and hold harmless Microchip from any and all damages, claims, suits, or expenses resulting from such use. No licenses are conveyed, implicitly or otherwise, under any Microchip intellectual property rights unless otherwise stated.

Microchip received ISO/TS-16949:2009 certification for its worldwide headquarters, design and wafer fabrication facilities in Chandler and Tempe, Arizona; Gresham, Oregon and design centers in California and India. The Company's quality system processes and procedures are for its PIC® MCUs and dsPIC® DSCs, KEELOQ® code hopping devices, Serial EEPROMs, microperipherals, nonvolatile memory and analog products. In addition, Microchip's quality system for the design and manufacture of development systems is ISO 9001:2000 certified.

**QUALITY MANAGEMENT SYSTEM
CERTIFIED BY DNV
= ISO/TS 16949 =**

Trademarks

The Microchip name and logo, the Microchip logo, AnyRate, AVR, AVR logo, AVR Freaks, BeaconThings, BitCloud, CryptoMemory, CryptoRF, dsPIC, FlashFlex, flexPWR, Helder, JukeBlox, KEELOQ, KEELOQ logo, Klear, LANCheck, LINK MD, maXStylus, maXTouch, MediaLB, megaAVR, MOST, MOST logo, MPLAB, OptoLyzer, PIC, picoPower, PICSTART, PIC32 logo, Prochip Designer, QTouch, RightTouch, SAM-BA, SpyNIC, SST, SST Logo, SuperFlash, tinyAVR, UNI/O, and XMEGA are registered trademarks of Microchip Technology Incorporated in the U.S.A. and other countries.

ClockWorks, The Embedded Control Solutions Company, EtherSynch, Hyper Speed Control, HyperLight Load, IntelliMOS, mTouch, Precision Edge, and Quiet-Wire are registered trademarks of Microchip Technology Incorporated in the U.S.A.

Adjacent Key Suppression, AKS, Analog-for-the-Digital Age, Any Capacitor, AnyIn, AnyOut, BodyCom, chipKIT, chipKIT logo, CodeGuard, CryptoAuthentication, CryptoCompanion, CryptoController, dsPICDEM, dsPICDEM.net, Dynamic Average Matching, DAM, ECAN, EtherGREEN, In-Circuit Serial Programming, ICSP, Inter-Chip Connectivity, JitterBlocker, KlearNet, KlearNet logo, Mindi, MiWi, motorBench, MPASM, MPF, MPLAB Certified logo, MPLIB, MPLINK, MultiTRAK, NetDetach, Omniscient Code Generation, PICDEM, PICDEM.net, PICKit, PICTail, PureSilicon, QMatrix, RightTouch logo, REAL ICE, Ripple Blocker, SAM-ICE, Serial Quad I/O, SMART-I.S., SQI, SuperSwitcher, SuperSwitcher II, Total Endurance, TSHARC, USBCheck, VariSense, ViewSpan, WiperLock, Wireless DNA, and ZENA are trademarks of Microchip Technology Incorporated in the U.S.A. and other countries.

SQTP is a service mark of Microchip Technology Incorporated in the U.S.A.

Silicon Storage Technology is a registered trademark of Microchip Technology Inc. in other countries.

GestIC is a registered trademark of Microchip Technology Germany II GmbH & Co. KG, a subsidiary of Microchip Technology Inc., in other countries.

All other trademarks mentioned herein are property of their respective companies.

© 2017, Microchip Technology Incorporated, All Rights Reserved.
ISBN: 978-1-5224-2122-1



MICROCHIP

Worldwide Sales and Service

AMERICAS

Corporate Office

2355 West Chandler Blvd.
Chandler, AZ 85224-6199

Tel: 480-792-7200

Fax: 480-792-7277

Technical Support:

[http://www.microchip.com/
support](http://www.microchip.com/support)

Web Address:

www.microchip.com

Atlanta

Duluth, GA

Tel: 678-957-9614

Fax: 678-957-1455

Austin, TX

Tel: 512-257-3370

Boston

Westborough, MA

Tel: 774-760-0087

Fax: 774-760-0088

Chicago

Itasca, IL

Tel: 630-285-0071

Fax: 630-285-0075

Dallas

Addison, TX

Tel: 972-818-7423

Fax: 972-818-2924

Detroit

Novi, MI

Tel: 248-848-4000

Houston, TX

Tel: 281-894-5983

Indianapolis

Noblesville, IN

Tel: 317-773-8323

Fax: 317-773-5453

Tel: 317-536-2380

Los Angeles

Mission Viejo, CA

Tel: 949-462-9523

Fax: 949-462-9608

Tel: 951-273-7800

Raleigh, NC

Tel: 919-844-7510

New York, NY

Tel: 631-435-6000

San Jose, CA

Tel: 408-735-9110

Tel: 408-436-4270

Canada - Toronto

Tel: 905-695-1980

Fax: 905-695-2078

ASIA/PACIFIC

Asia Pacific Office

Suites 3707-14, 37th Floor
Tower 6, The Gateway
Harbour City, Kowloon

Hong Kong

Tel: 852-2943-5100

Fax: 852-2401-3431

Australia - Sydney

Tel: 61-2-9868-6733

Fax: 61-2-9868-6755

China - Beijing

Tel: 86-10-8569-7000

Fax: 86-10-8528-2104

China - Chengdu

Tel: 86-28-8665-5511

Fax: 86-28-8665-7889

China - Chongqing

Tel: 86-23-8980-9588

Fax: 86-23-8980-9500

China - Dongguan

Tel: 86-769-8702-9880

China - Guangzhou

Tel: 86-20-8755-8029

China - Hangzhou

Tel: 86-571-8792-8115

Fax: 86-571-8792-8116

China - Hong Kong SAR

Tel: 852-2943-5100

Fax: 852-2401-3431

China - Nanjing

Tel: 86-25-8473-2460

Fax: 86-25-8473-2470

China - Qingdao

Tel: 86-532-8502-7355

Fax: 86-532-8502-7205

China - Shanghai

Tel: 86-21-3326-8000

Fax: 86-21-3326-8021

China - Shenyang

Tel: 86-24-2334-2829

Fax: 86-24-2334-2393

China - Shenzhen

Tel: 86-755-8864-2200

Fax: 86-755-8203-1760

China - Wuhan

Tel: 86-27-5980-5300

Fax: 86-27-5980-5118

China - Xian

Tel: 86-29-8833-7252

Fax: 86-29-8833-7256

ASIA/PACIFIC

China - Xiamen

Tel: 86-592-2388138

Fax: 86-592-2388130

China - Zhuhai

Tel: 86-756-3210040

Fax: 86-756-3210049

India - Bangalore

Tel: 91-80-3090-4444

Fax: 91-80-3090-4123

India - New Delhi

Tel: 91-11-4160-8631

Fax: 91-11-4160-8632

India - Pune

Tel: 91-20-3019-1500

Japan - Osaka

Tel: 81-6-6152-7160

Fax: 81-6-6152-9310

Japan - Tokyo

Tel: 81-3-6880-3770

Fax: 81-3-6880-3771

Korea - Daegu

Tel: 82-53-744-4301

Fax: 82-53-744-4302

Korea - Seoul

Tel: 82-2-554-7200

Fax: 82-2-558-5932 or

82-2-558-5934

Malaysia - Kuala Lumpur

Tel: 60-3-6201-9857

Fax: 60-3-6201-9859

Malaysia - Penang

Tel: 60-4-227-8870

Fax: 60-4-227-4068

Philippines - Manila

Tel: 63-2-634-9065

Fax: 63-2-634-9069

Singapore

Tel: 65-6334-8870

Fax: 65-6334-8850

Taiwan - Hsin Chu

Tel: 886-3-5778-366

Fax: 886-3-5770-955

Taiwan - Kaohsiung

Tel: 886-7-213-7830

Taiwan - Taipei

Tel: 886-2-2508-8600

Fax: 886-2-2508-0102

Thailand - Bangkok

Tel: 66-2-694-1351

Fax: 66-2-694-1350

EUROPE

Austria - Wels

Tel: 43-7242-2244-39

Fax: 43-7242-2244-393

Denmark - Copenhagen

Tel: 45-4450-2828

Fax: 45-4485-2829

Finland - Espoo

Tel: 358-9-4520-820

France - Paris

Tel: 33-1-69-53-63-20

Fax: 33-1-69-30-90-79

France - Saint Cloud

Tel: 33-1-30-60-70-00

Germany - Garching

Tel: 49-8931-9700

Germany - Haan

Tel: 49-2129-3766400

Germany - Heilbronn

Tel: 49-7131-67-3636

Germany - Karlsruhe

Tel: 49-721-625370

Germany - Munich

Tel: 49-89-627-144-0

Fax: 49-89-627-144-44

Germany - Rosenheim

Tel: 49-8031-354-560

Israel - Ra'anana

Tel: 972-9-744-7705

Italy - Milan

Tel: 39-0331-742611

Fax: 39-0331-466781

Italy - Padova

Tel: 39-049-7625286

Netherlands - Drunen

Tel: 31-416-690399

Fax: 31-416-690340

Norway - Trondheim

Tel: 47-7289-7561

Poland - Warsaw

Tel: 48-22-3325737

Romania - Bucharest

Tel: 40-21-407-87-50

Spain - Madrid

Tel: 34-91-708-08-90

Fax: 34-91-708-08-91

Sweden - Gothenberg

Tel: 46-31-704-60-40

Sweden - Stockholm

Tel: 46-8-5090-4654

UK - Wokingham

Tel: 44-118-921-5800

Fax: 44-118-921-5820

Mouser Electronics

Authorized Distributor

Click to View Pricing, Inventory, Delivery & Lifecycle Information:

[Microchip:](#)

[HV264TS-G](#)

Компания «Океан Электроники» предлагает заключение долгосрочных отношений при поставках импортных электронных компонентов на взаимовыгодных условиях!

Наши преимущества:

- Поставка оригинальных импортных электронных компонентов напрямую с производств Америки, Европы и Азии, а так же с крупнейших складов мира;
- Широкая линейка поставок активных и пассивных импортных электронных компонентов (более 30 млн. наименований);
- Поставка сложных, дефицитных, либо снятых с производства позиций;
- Оперативные сроки поставки под заказ (от 5 рабочих дней);
- Экспресс доставка в любую точку России;
- Помощь Конструкторского Отдела и консультации квалифицированных инженеров;
- Техническая поддержка проекта, помощь в подборе аналогов, поставка прототипов;
- Поставка электронных компонентов под контролем ВП;
- Система менеджмента качества сертифицирована по Международному стандарту ISO 9001;
- При необходимости вся продукция военного и аэрокосмического назначения проходит испытания и сертификацию в лаборатории (по согласованию с заказчиком);
- Поставка специализированных компонентов военного и аэрокосмического уровня качества (Xilinx, Altera, Analog Devices, Intersil, Interpoint, Microsemi, Actel, Aeroflex, Peregrine, VPT, Syfer, Eurofarad, Texas Instruments, MS Kennedy, Miteq, Cobham, E2V, MA-COM, Hittite, Mini-Circuits, General Dynamics и др.);

Компания «Океан Электроники» является официальным дистрибьютором и эксклюзивным представителем в России одного из крупнейших производителей разъемов военного и аэрокосмического назначения «**JONHON**», а так же официальным дистрибьютором и эксклюзивным представителем в России производителя высокотехнологичных и надежных решений для передачи СВЧ сигналов «**FORSTAR**».



JONHON

«**JONHON**» (основан в 1970 г.)

Разъемы специального, военного и аэрокосмического назначения:

(Применяются в военной, авиационной, аэрокосмической, морской, железнодорожной, горно- и нефтедобывающей отраслях промышленности)

«**FORSTAR**» (основан в 1998 г.)

ВЧ соединители, коаксиальные кабели, кабельные сборки и микроволновые компоненты:

(Применяются в телекоммуникациях гражданского и специального назначения, в средствах связи, РЛС, а так же военной, авиационной и аэрокосмической отраслях промышленности).



Телефон: 8 (812) 309-75-97 (многоканальный)

Факс: 8 (812) 320-03-32

Электронная почта: ocean@oceanchips.ru

Web: <http://oceanchips.ru/>

Адрес: 198099, г. Санкт-Петербург, ул. Калинина, д. 2, корп. 4, лит. А