



# **PIC24FJ64GB004 Family Data Sheet**

28/44-Pin, 16-Bit,  
Flash Microcontrollers  
with USB On-The-Go (OTG)  
and nanoWatt XLP Technology

---

**Note the following details of the code protection feature on Microchip devices:**

- Microchip products meet the specification contained in their particular Microchip Data Sheet.
- Microchip believes that its family of products is one of the most secure families of its kind on the market today, when used in the intended manner and under normal conditions.
- There are dishonest and possibly illegal methods used to breach the code protection feature. All of these methods, to our knowledge, require using the Microchip products in a manner outside the operating specifications contained in Microchip's Data Sheets. Most likely, the person doing so is engaged in theft of intellectual property.
- Microchip is willing to work with the customer who is concerned about the integrity of their code.
- Neither Microchip nor any other semiconductor manufacturer can guarantee the security of their code. Code protection does not mean that we are guaranteeing the product as "unbreakable."

Code protection is constantly evolving. We at Microchip are committed to continuously improving the code protection features of our products. Attempts to break Microchip's code protection feature may be a violation of the Digital Millennium Copyright Act. If such acts allow unauthorized access to your software or other copyrighted work, you may have a right to sue for relief under that Act.

---

Information contained in this publication regarding device applications and the like is provided only for your convenience and may be superseded by updates. It is your responsibility to ensure that your application meets with your specifications. MICROCHIP MAKES NO REPRESENTATIONS OR WARRANTIES OF ANY KIND WHETHER EXPRESS OR IMPLIED, WRITTEN OR ORAL, STATUTORY OR OTHERWISE, RELATED TO THE INFORMATION, INCLUDING BUT NOT LIMITED TO ITS CONDITION, QUALITY, PERFORMANCE, MERCHANTABILITY OR FITNESS FOR PURPOSE. Microchip disclaims all liability arising from this information and its use. Use of Microchip devices in life support and/or safety applications is entirely at the buyer's risk, and the buyer agrees to defend, indemnify and hold harmless Microchip from any and all damages, claims, suits, or expenses resulting from such use. No licenses are conveyed, implicitly or otherwise, under any Microchip intellectual property rights.

**Trademarks**

The Microchip name and logo, the Microchip logo, dsPIC, KEELOQ, KEELOQ logo, MPLAB, PIC, PICmicro, PICSTART, PIC<sup>32</sup> logo, rPIC and UNI/O are registered trademarks of Microchip Technology Incorporated in the U.S.A. and other countries.

FilterLab, Hampshire, HI-TECH C, Linear Active Thermistor, MXDEV, MXLAB, SEEVAL and The Embedded Control Solutions Company are registered trademarks of Microchip Technology Incorporated in the U.S.A.

Analog-for-the-Digital Age, Application Maestro, CodeGuard, dsPICDEM, dsPICDEM.net, dsPICworks, dsSPEAK, ECAN, ECONOMONITOR, FanSense, HI-TIDE, In-Circuit Serial Programming, ICSP, Mindi, MiWi, MPASM, MPLAB Certified logo, MPLIB, MPLINK, mTouch, Octopus, Omniscient Code Generation, PICC, PICC-18, PICDEM, PICDEM.net, PICKit, PICtail, REAL ICE, rLAB, Select Mode, Total Endurance, TSHARC, UniWinDriver, WiperLock and ZENA are trademarks of Microchip Technology Incorporated in the U.S.A. and other countries.

SQTP is a service mark of Microchip Technology Incorporated in the U.S.A.

All other trademarks mentioned herein are property of their respective companies.

© 2010, Microchip Technology Incorporated, Printed in the U.S.A., All Rights Reserved.

 Printed on recycled paper.

ISBN: 978-1-60932-439-1

*Microchip received ISO/TS-16949:2002 certification for its worldwide headquarters, design and wafer fabrication facilities in Chandler and Tempe, Arizona; Gresham, Oregon and design centers in California and India. The Company's quality system processes and procedures are for its PIC® MCUs and dsPIC® DSCs, KEELOQ® code hopping devices, Serial EEPROMs, microperipherals, nonvolatile memory and analog products. In addition, Microchip's quality system for the design and manufacture of development systems is ISO 9001:2000 certified.*

**QUALITY MANAGEMENT SYSTEM  
CERTIFIED BY DNV  
== ISO/TS 16949:2002 ==**



# MICROCHIP

# PIC24FJ64GB004 FAMILY

## 28/44-Pin, 16-Bit, Flash Microcontrollers with USB On-The-Go (OTG) and nanoWatt XLP Technology

### Universal Serial Bus Features:

- USB v2.0 On-The-Go (OTG) Compliant
- Dual Role Capable – can act as either Host or Peripheral
- Low-Speed (1.5 Mb/s) and Full-Speed (12 Mb/s) USB Operation in Host mode
- Full-Speed USB Operation in Device mode
- High-Precision PLL for USB
- 0.25% Accuracy using Internal Oscillator – No External Crystal Required
- Internal Voltage Boost Assist for USB Bus Voltage Generation
- Interface for Off-Chip Charge Pump for USB Bus Voltage Generation
- Supports up to 32 Endpoints (16 bidirectional):
  - USB module can use any RAM location on the device as USB endpoint buffers
- On-Chip USB Transceiver
- Interface for Off-Chip USB Transceiver
- Supports Control, Interrupt, Isochronous and Bulk Transfers
- On-Chip Pull-up and Pull-Down Resistors

### High-Performance CPU:

- Modified Harvard Architecture
- Up to 16 MIPS Operation @ 32 MHz
- 8 MHz Internal Oscillator with 0.25% Typical Accuracy:
  - 96 MHz PLL
  - Multiple divide options
- 17-Bit x 17-Bit Single-Cycle Hardware Fractional/integer Multiplier
- 32-Bit by 16-Bit Hardware Divider
- 16 x 16-Bit Working Register Array
- C Compiler Optimized Instruction Set Architecture:
  - 76 base instructions
  - Flexible addressing modes
- Linear Program Memory Addressing up to 12 Mbytes
- Linear Data Memory Addressing up to 64 Kbytes
- Two Address Generation Units for Separate Read and Write Addressing of Data Memory

### Power Management Modes:

- Selectable Power Management modes with nanoWatt XLP Technology for Extremely Low Power:
  - Deep Sleep mode allows near total power-down (20 nA typical and 500 nA with RTCC or WDT), along with the ability to wake-up on external triggers or self-wake on programmable WDT or RTCC alarm
  - Extreme low-power DSBOR for Deep Sleep, LPBOR for all other modes
  - Sleep mode shuts down peripherals and core for substantial power reduction, fast wake-up
  - Idle mode shuts down the CPU and peripherals for significant power reduction, down to 4.5  $\mu$ A typical
  - Doze mode enables CPU clock to run slower than peripherals
  - Alternate Clock modes allow on-the-fly switching to a lower clock speed for selective power reduction during Run mode down to 15  $\mu$ A typical

### Special Microcontroller Features:

- Operating Voltage Range of 2.0V to 3.6V
- Self-Reprogrammable under Software Control
- 5.5V Tolerant Input (digital pins only)
- High-Current Sink/Source (18 mA/18 mA) on All I/O Pins
- Flash Program Memory:
  - 10,000 erase/write cycle endurance (minimum)
  - 20-year data retention minimum
  - Selectable write protection boundary
- Fail-Safe Clock Monitor Operation:
  - Detects clock failure and switches to on-chip FRC oscillator
- On-Chip 2.5V Regulator
- Power-on Reset (POR), Power-up Timer (PWRT) and Oscillator Start-up Timer (OST)
- Two Flexible Watchdog Timers (WDT) for Reliable Operation:
  - Standard programmable WDT for normal operation
  - Extreme low-power WDT with programmable period of 2 ms to 26 days for Deep Sleep mode
- In-Circuit Serial Programming™ (ICSP™) and In-Circuit Debug (ICD) via 2 Pins
- JTAG Boundary Scan Support

| PIC24FJ Device | Pins | Program Memory (Bytes) | SRAM (Bytes) | Remappable Peripherals |               |               |                    |               |     | i <sup>2</sup> C™ | 10-Bit A/D (ch) | Comparators | PMP/PSP | RTCC | CTMU | USB OTG |
|----------------|------|------------------------|--------------|------------------------|---------------|---------------|--------------------|---------------|-----|-------------------|-----------------|-------------|---------|------|------|---------|
|                |      |                        |              | Remappable Pins        | Timers 16-Bit | Capture Input | Compare/PWM Output | UART w/ IrDA® | SPI |                   |                 |             |         |      |      |         |
| 32GB002        | 28   | 32K                    | 8K           | 15                     | 5             | 5             | 5                  | 2             | 2   | 2                 | 9               | 3           | Y       | Y    | Y    | Y       |
| 64GB002        | 28   | 64K                    | 8K           | 15                     | 5             | 5             | 5                  | 2             | 2   | 2                 | 9               | 3           | Y       | Y    | Y    | Y       |
| 32GB004        | 44   | 32K                    | 8K           | 25                     | 5             | 5             | 5                  | 2             | 2   | 2                 | 13              | 3           | Y       | Y    | Y    | Y       |
| 64GB004        | 44   | 64K                    | 8K           | 25                     | 5             | 5             | 5                  | 2             | 2   | 2                 | 13              | 3           | Y       | Y    | Y    | Y       |

# PIC24FJ64GB004 FAMILY

## Analog Features:

- 10-Bit, up to 13-Channel Analog-to-Digital (A/D) Converter:
  - 500 ksp/s conversion rate
  - Conversion available during Sleep and Idle
- Three Analog Comparators with Programmable Input/Output Configuration
- Charge Time Measurement Unit (CTMU):
  - Supports capacitive touch sensing for touch screens and capacitive switches
  - Provides high-resolution time measurement and simple temperature sensing

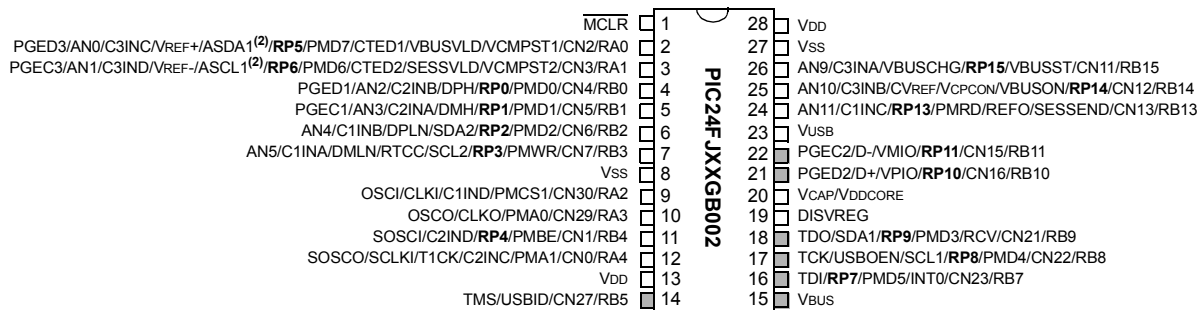
## Peripheral Features:

- Peripheral Pin Select:
  - Allows independent I/O mapping of many peripherals
  - Up to 25 available pins (44-pin devices)
  - Continuous hardware integrity checking and safety interlocks prevent unintentional configuration changes
- 8-Bit Parallel Master Port (PMP/PSP):
  - Up to 16-bit multiplexed addressing, with up to 11 dedicated address pins on 44-pin devices
  - Programmable polarity on control lines
  - Supports legacy Parallel Slave Port

- Hardware Real-Time Clock/Calendar (RTCC):
  - Provides clock, calendar and alarm functions
  - Functions even in Deep Sleep mode
- Two 3-Wire/4-Wire SPI modules (support 4 Frame modes) with 8-Level FIFO Buffer
- Two I<sup>2</sup>C™ modules support Multi-Master/Slave mode and 7-Bit/10-Bit Addressing
- Two UART modules:
  - Supports RS-485, RS-232 and LIN/J2602
  - On-chip hardware encoder/decoder for IrDA®
  - Auto-wake-up on Start bit
  - Auto-Baud Detect (ABD)
  - 4-level deep FIFO buffer
- Five 16-Bit Timers/Counters with Programmable Prescaler
- Five 16-Bit Capture Inputs, each with a Dedicated Time Base
- Five 16-Bit Compare/PWM Outputs, each with a Dedicated Time Base
- Programmable, 32-Bit Cyclic Redundancy Check (CRC) Generator
- Configurable Open-Drain Outputs on Digital I/O Pins
- Up to 3 External Interrupt Sources

## Pin Diagrams

### 28-Pin SPDIP, SOIC, SSOP<sup>(1)</sup>



**Legend:** RPn represents remappable peripheral pins.

**Note 1:** Gray shading indicates 5.5V tolerant input pins.

**Note 2:** Alternative multiplexing for SDA1 and SCL1 when the I2C1SEL bit is set.

# PIC24FJ64GB004 FAMILY

## Pin Diagrams

### 28-Pin QFN<sup>(1,3)</sup>



**Legend:** RPN represents remappable peripheral pins.

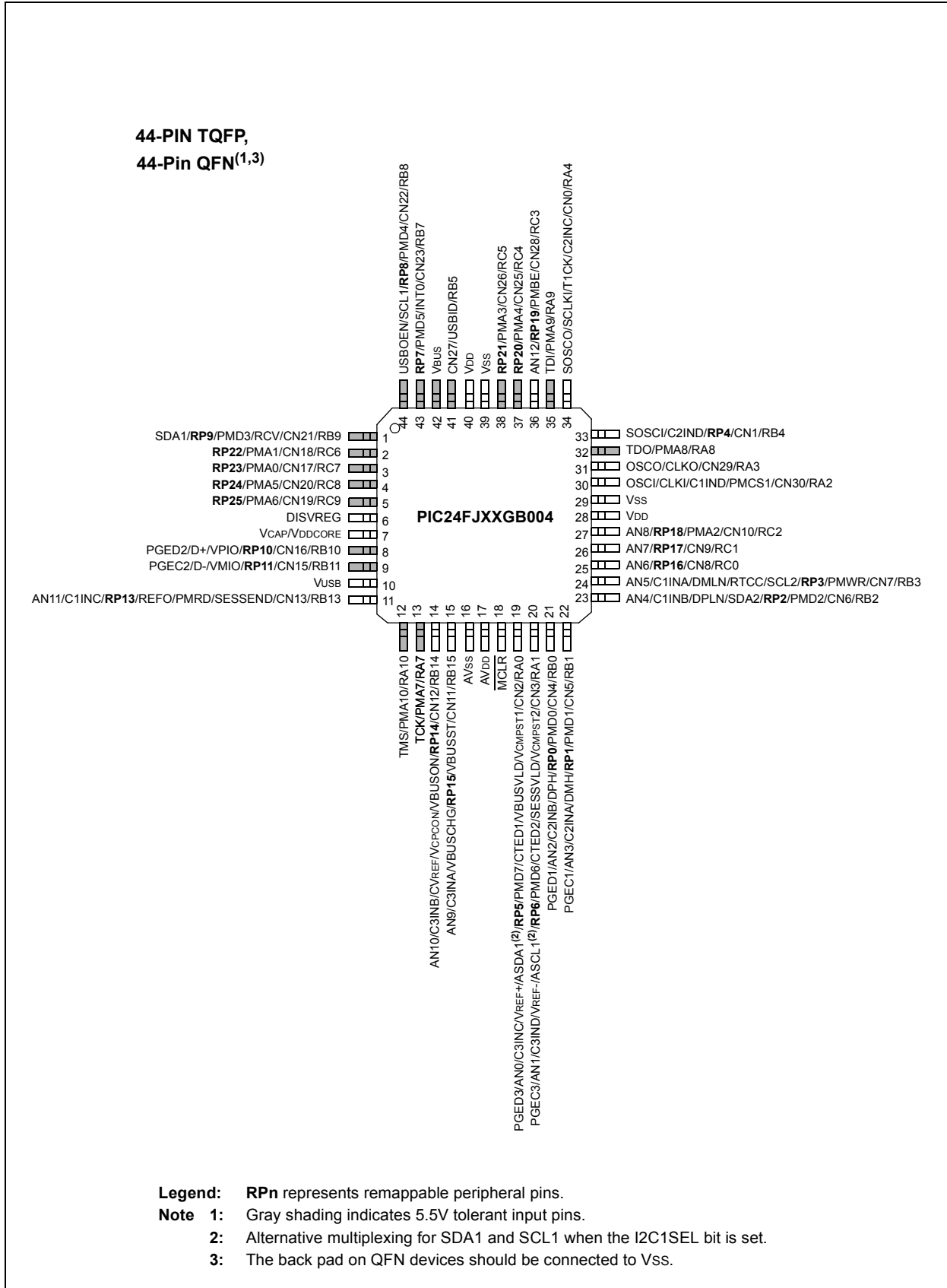
**Note 1:** Gray shading indicates 5.5V tolerant input pins.

**2:** Alternative multiplexing for SDA1 and SCL1 when the I2C1SEL bit is set.

**3:** The back pad on QFN devices should be connected to Vss.

# PIC24FJ64GB004 FAMILY

## Pin Diagrams



# PIC24FJ64GB004 FAMILY

## Table of Contents

|      |                                                                   |     |
|------|-------------------------------------------------------------------|-----|
| 1.0  | Device Overview .....                                             | 9   |
| 2.0  | Guidelines for Getting Started with 16-bit Microcontrollers ..... | 19  |
| 3.0  | CPU .....                                                         | 25  |
| 4.0  | Memory Organization .....                                         | 31  |
| 5.0  | Flash Program Memory .....                                        | 55  |
| 6.0  | Resets .....                                                      | 63  |
| 7.0  | Interrupt Controller .....                                        | 69  |
| 8.0  | Oscillator Configuration .....                                    | 107 |
| 9.0  | Power-Saving Features .....                                       | 117 |
| 10.0 | I/O Ports .....                                                   | 127 |
| 11.0 | Timer1 .....                                                      | 149 |
| 12.0 | Timer2/3 and Timer4/5 .....                                       | 151 |
| 13.0 | Input Capture with Dedicated Timers .....                         | 157 |
| 14.0 | Output Compare with Dedicated Timers .....                        | 161 |
| 15.0 | Serial Peripheral Interface (SPI) .....                           | 171 |
| 16.0 | Inter-Integrated Circuit (I <sup>2</sup> C™) .....                | 181 |
| 17.0 | Universal Asynchronous Receiver Transmitter (UART) .....          | 189 |
| 18.0 | Universal Serial Bus with On-The-Go Support (USB OTG) .....       | 197 |
| 19.0 | Parallel Master Port (PMP) .....                                  | 231 |
| 20.0 | Real-Time Clock and Calendar (RTCC) .....                         | 241 |
| 21.0 | 32-Bit Programmable Cyclic Redundancy Check (CRC) Generator ..... | 253 |
| 22.0 | 10-Bit High-Speed A/D Converter .....                             | 259 |
| 23.0 | Triple Comparator Module .....                                    | 269 |
| 24.0 | Comparator Voltage Reference .....                                | 273 |
| 25.0 | Charge Time Measurement Unit (CTMU) .....                         | 275 |
| 26.0 | Special Features .....                                            | 279 |
| 27.0 | Development Support .....                                         | 293 |
| 28.0 | Instruction Set Summary .....                                     | 297 |
| 29.0 | Electrical Characteristics .....                                  | 305 |
| 30.0 | Packaging Information .....                                       | 327 |
|      | Appendix A: Revision History .....                                | 341 |
|      | The Microchip Web Site .....                                      | 349 |
|      | Customer Change Notification Service .....                        | 349 |
|      | Customer Support .....                                            | 349 |
|      | Reader Response .....                                             | 350 |
|      | Product Identification System .....                               | 351 |

# PIC24FJ64GB004 FAMILY

---

## TO OUR VALUED CUSTOMERS

It is our intention to provide our valued customers with the best documentation possible to ensure successful use of your Microchip products. To this end, we will continue to improve our publications to better suit your needs. Our publications will be refined and enhanced as new volumes and updates are introduced.

If you have any questions or comments regarding this publication, please contact the Marketing Communications Department via E-mail at [docerrors@microchip.com](mailto:docerrors@microchip.com) or fax the **Reader Response Form** in the back of this data sheet to (480) 792-4150. We welcome your feedback.

### Most Current Data Sheet

To obtain the most up-to-date version of this data sheet, please register at our Worldwide Web site at:

<http://www.microchip.com>

You can determine the version of a data sheet by examining its literature number found on the bottom outside corner of any page. The last character of the literature number is the version number, (e.g., DS30000A is version A of document DS30000).

### Errata

An errata sheet, describing minor operational differences from the data sheet and recommended workarounds, may exist for current devices. As device/documentation issues become known to us, we will publish an errata sheet. The errata will specify the revision of silicon and revision of document to which it applies.

To determine if an errata sheet exists for a particular device, please check with one of the following:

- Microchip's Worldwide Web site; <http://www.microchip.com>
- Your local Microchip sales office (see last page)

When contacting a sales office, please specify which device, revision of silicon and data sheet (include literature number) you are using.

### Customer Notification System

Register on our web site at [www.microchip.com](http://www.microchip.com) to receive the most current information on all of our products.



# PIC24FJ64GB004 FAMILY

## 1.0 DEVICE OVERVIEW

This document contains device-specific information for the following devices:

- PIC24FJ32GB002
- PIC24FJ32GB004
- PIC24FJ64GB002
- PIC24FJ64GB004

This family expands on the existing line of Microchip's 16-bit microcontrollers, combining an expanded peripheral feature set and enhanced computational performance with a new connectivity option: USB On-The-Go (OTG). The PIC24FJ64GB004 family provides a new platform for high-performance USB applications which may need more than an 8-bit platform, but do not require the power of a digital signal processor.

### 1.1 Core Features

#### 1.1.1 16-BIT ARCHITECTURE

Central to all PIC24F devices is the 16-bit modified Harvard architecture, first introduced with Microchip's dsPIC® digital signal controllers. The PIC24F CPU core offers a wide range of enhancements, such as:

- 16-bit data and 24-bit address paths with the ability to move information between data and memory spaces
- Linear addressing of up to 12 Mbytes (program space) and 64 Kbytes (data)
- A 16-element working register array with built-in software stack support
- A 17 x 17 hardware multiplier with support for integer math
- Hardware support for 32 by 16-bit division
- An instruction set that supports multiple addressing modes and is optimized for high-level languages, such as 'C'
- Operational performance up to 16 MIPS

#### 1.1.2 POWER-SAVING TECHNOLOGY

All of the devices in the PIC24FJ64GB004 family incorporate a range of features that can significantly reduce power consumption during operation. Key items include:

- **On-the-Fly Clock Switching:** The device clock can be changed under software control to the Timer1 source or the internal, Low-Power Internal RC Oscillator during operation, allowing the user to incorporate power-saving ideas into their software designs.
- **Doze Mode Operation:** When timing-sensitive applications, such as serial communications, require the uninterrupted operation of peripherals, the CPU clock speed can be selectively reduced, allowing incremental power savings without missing a beat.

- **Instruction-Based Power-Saving Modes:** There are three instruction-based power-saving modes:
  - Idle Mode – The core is shut down while leaving the peripherals active.
  - Sleep Mode – The core and peripherals that require the system clock are shut down, leaving the peripherals active that use their own clock or the clock from other devices.
  - Deep Sleep Mode – The core, peripherals (except RTCC and DSWDT), Flash and SRAM are shut down for optimal current savings to extend battery life for portable applications.

#### 1.1.3 OSCILLATOR OPTIONS AND FEATURES

All of the devices in the PIC24FJ64GB004 family offer five different oscillator options, allowing users a range of choices in developing application hardware. These include:

- Two Crystal modes using crystals or ceramic resonators.
- Two External Clock modes offering the option of a divide-by-2 clock output.
- A Fast Internal RC Oscillator (FRC) with a nominal 8 MHz output, which can also be divided under software control to provide clock speeds as low as 31 kHz.
- A Phase Lock Loop (PLL) frequency multiplier available to the external oscillator modes and the FRC Oscillator, which allows clock speeds of up to 32 MHz.
- A separate Low-Power Internal RC Oscillator (LPRC) with a fixed 31 kHz output, which provides a low-power option for timing-insensitive applications.

The internal oscillator block also provides a stable reference source for the Fail-Safe Clock Monitor. This option constantly monitors the main clock source against a reference signal provided by the internal oscillator and enables the controller to switch to the internal oscillator, allowing for continued low-speed operation or a safe application shutdown.

#### 1.1.4 EASY MIGRATION

Regardless of the memory size, all devices share the same rich set of peripherals, allowing for a smooth migration path as applications grow and evolve. The consistent pinout scheme used throughout the entire family also aids in migrating from one device to the next larger device.

The PIC24F family is pin-compatible with devices in the dsPIC33 family, and shares some compatibility with the pinout schema for PIC18 and dsPIC30 devices. This extends the ability of applications to grow from the relatively simple, to the powerful and complex, yet still selecting a Microchip device.

# PIC24FJ64GB004 FAMILY

---

## 1.2 USB On-The-Go

The PIC24FJ64GB004 family of devices introduces USB On-The-Go functionality on a single chip to lower pin count Microchip devices. This module provides on-chip functionality as a target device compatible with the USB 2.0 standard, as well as limited stand-alone functionality as a USB embedded host. By implementing USB Host Negotiation Protocol (HNP), the module can also dynamically switch between device and host operation, allowing for a much wider range of versatile USB-enabled applications on a microcontroller platform.

In addition to USB host functionality, PIC24FJ64GB004 family devices provide a true single chip USB solution, including an on-chip transceiver and a voltage boost generator for sourcing bus power during host operations.

## 1.3 Other Special Features

- **Peripheral Pin Select:** The Peripheral Pin Select feature allows most digital peripherals to be mapped over a fixed set of digital I/O pins. Users may independently map the input and/or output of any one of the many digital peripherals to any one of the I/O pins.
- **Communications:** The PIC24FJ64GB004 family incorporates a range of serial communication peripherals to handle a range of application requirements. There are two independent I<sup>2</sup>C™ modules that support both Master and Slave modes of operation. Devices also have, through the Peripheral Pin Select (PPS) feature, two independent UARTs with built-in IrDA® encoder/decoders and two SPI modules.
- **Analog Features:** All members of the PIC24FJ64GB004 family include a 10-bit A/D Converter module and a triple comparator module. The A/D module incorporates programmable acquisition time, allowing for a channel to be selected and a conversion to be initiated without waiting for a sampling period, as well as faster sampling speeds. The comparator module includes three analog comparators that are configurable for a wide range of operations.
- **CTMU Interface:** This module provides a convenient method for precision time measurement and pulse generation, and can serve as an interface for capacitive sensors.

- **Parallel Master/Enhanced Parallel Slave Port:** One of the general purpose I/O ports can be reconfigured for enhanced parallel data communications. In this mode, the port can be configured for both master and slave operations, and supports 8-bit and 16-bit data transfers with up to 12 external address lines in Master modes.
- **Real-Time Clock/Calendar:** This module implements a full-featured clock and calendar with alarm functions in hardware, freeing up timer resources and program memory space for the use of the core application.

## 1.4 Details on Individual Family Members

Devices in the PIC24FJ64GB004 family are available in 28-pin and 44-pin packages. The general block diagram for all devices is shown in Figure 1-1.

The devices are differentiated from each other in several ways:

- Flash Program Memory:
  - PIC24FJ32GB0 devices – 32 Kbytes
  - PIC24FJ64GB0 devices – 64 Kbytes
- Available I/O Pins and Ports:
  - 28-pin devices – 19 pins on two ports
  - 44-pin devices – 33 pins on three ports
- Available Interrupt-on-Change Notification (ICN) Inputs:
  - 28-pin devices – 19
  - 44-pin devices – 29
- Available Remappable Pins:
  - 28-pin devices – 15 pins
  - 44-pin devices – 25 pins
- Available PMP Address Pins:
  - 28-pin devices – 3 pins
  - 44-pin devices – 12 pins
- Available A/D Input Channels:
  - 28-pin devices – 9 pins
  - 44-pin devices – 12 pins

All other features for devices in this family are identical. These are summarized in Table 1-1.

A list of the pin features available on the PIC24FJ64GB004 family devices, sorted by function, is shown in Table 1-2. Note that this table shows the pin location of individual peripheral features and not how they are multiplexed on the same pin. This information is provided in the pinout diagrams in the beginning of this data sheet. Multiplexed features are sorted by the priority given to a feature, with the highest priority peripheral being listed first.

# PIC24FJ64GB004 FAMILY

**TABLE 1-1: DEVICE FEATURES FOR THE PIC24FJ64GB004 FAMILY**

| Features                                            | PIC24FJ32GB002                                                                                                                                                     | PIC24FJ64GB002 | PIC24FJ32GB004      | PIC24FJ64GB004 |
|-----------------------------------------------------|--------------------------------------------------------------------------------------------------------------------------------------------------------------------|----------------|---------------------|----------------|
| Operating Frequency                                 | DC – 32 MHz                                                                                                                                                        |                |                     |                |
| Program Memory (bytes)                              | 32K                                                                                                                                                                | 64K            | 32K                 | 64K            |
| Program Memory (instructions)                       | 11,008                                                                                                                                                             | 22,016         | 11,008              | 22,016         |
| Data Memory (bytes)                                 | 8,192                                                                                                                                                              |                |                     |                |
| Interrupt Sources (soft vectors/<br>NMI traps)      | 45 (41/4)                                                                                                                                                          |                |                     |                |
| I/O Ports                                           | Ports A and B                                                                                                                                                      |                | Ports A, B, C       |                |
| Total I/O Pins                                      | 19                                                                                                                                                                 |                | 33                  |                |
| Remappable Pins                                     | 15                                                                                                                                                                 |                | 25                  |                |
| Timers:                                             |                                                                                                                                                                    |                |                     |                |
| Total Number (16-bit)                               | 5 <sup>(1)</sup>                                                                                                                                                   |                |                     |                |
| 32-Bit (from paired 16-bit timers)                  | 2                                                                                                                                                                  |                |                     |                |
| Input Capture Channels                              | 5 <sup>(1)</sup>                                                                                                                                                   |                |                     |                |
| Output Compare/PWM Channels                         | 5 <sup>(1)</sup>                                                                                                                                                   |                |                     |                |
| Input Change Notification Interrupt                 | 19                                                                                                                                                                 |                | 29                  |                |
| Serial Communications:                              |                                                                                                                                                                    |                |                     |                |
| UART                                                | 2 <sup>(1)</sup>                                                                                                                                                   |                |                     |                |
| SPI (3-wire/4-wire)                                 | 2 <sup>(1)</sup>                                                                                                                                                   |                |                     |                |
| I <sup>2</sup> C™                                   | 2                                                                                                                                                                  |                |                     |                |
| Parallel Communications (PMP/PSP)                   | Yes                                                                                                                                                                |                |                     |                |
| JTAG Boundary Scan                                  | Yes                                                                                                                                                                |                |                     |                |
| 10-Bit Analog-to-Digital Module<br>(input channels) | 9                                                                                                                                                                  |                | 13                  |                |
| Analog Comparators                                  | 3                                                                                                                                                                  |                |                     |                |
| CTMU Interface                                      | Yes                                                                                                                                                                |                |                     |                |
| Resets (and delays)                                 | POR, BOR, RESET Instruction, $\overline{\text{MCLR}}$ , WDT, Illegal Opcode, REPEAT Instruction, Hardware Traps, Configuration Word Mismatch (PWRT, OST, PLL Lock) |                |                     |                |
| Instruction Set                                     | 76 Base Instructions, Multiple Addressing Mode Variations                                                                                                          |                |                     |                |
| Packages                                            | 28-Pin QFN, SOIC, SSOP and SPDIP                                                                                                                                   |                | 44-Pin QFN and TQFP |                |

**Note 1:** Peripherals are accessible through remappable pins.

# PIC24FJ64GB004 FAMILY

FIGURE 1-1: PIC24FJ64GB004 FAMILY GENERAL BLOCK DIAGRAM



# PIC24FJ64GB004 FAMILY

**TABLE 1-2: PIC24FJ64GB004 FAMILY PINOUT DESCRIPTIONS**

| Function | Pin Number             |            |                 | I/O | Input Buffer     | Description                                           |
|----------|------------------------|------------|-----------------|-----|------------------|-------------------------------------------------------|
|          | 28-Pin SPDIP/SOIC/SSOP | 28-Pin QFN | 44-Pin QFN/TQFP |     |                  |                                                       |
| AN0      | 2                      | 27         | 19              | I   | ANA              | A/D Analog Inputs.                                    |
| AN1      | 3                      | 28         | 20              | I   | ANA              |                                                       |
| AN2      | 4                      | 1          | 21              | I   | ANA              |                                                       |
| AN3      | 5                      | 2          | 22              | I   | ANA              |                                                       |
| AN4      | 6                      | 3          | 23              | I   | ANA              |                                                       |
| AN5      | 7                      | 4          | 24              | I   | ANA              |                                                       |
| AN6      | —                      | —          | 25              | I   | ANA              |                                                       |
| AN7      | —                      | —          | 26              | I   | ANA              |                                                       |
| AN8      | —                      | —          | 27              | I   | ANA              |                                                       |
| AN9      | 26                     | 23         | 15              | I   | ANA              |                                                       |
| AN10     | 25                     | 22         | 14              | I   | ANA              |                                                       |
| AN11     | 24                     | 21         | 11              | I   | ANA              |                                                       |
| AN12     | —                      | —          | 36              | I   | ANA              |                                                       |
| ASCL1    | 3                      | 28         | 20              | I/O | I <sup>2</sup> C | Alternate I2C1 Synchronous Serial Clock Input/Output. |
| ASDA1    | 2                      | 27         | 19              | I/O | I <sup>2</sup> C | Alternate I2C1 Synchronous Serial Data Input/Output.  |
| AVDD     | —                      | —          | 17              | P   | —                | Positive Supply for Analog modules.                   |
| AVSS     | —                      | —          | 16              | P   | —                | Ground Reference for Analog modules.                  |
| C1INA    | 7                      | 4          | 24              | I   | ANA              | Comparator 1 Input A.                                 |
| C1INB    | 6                      | 3          | 23              | I   | ANA              | Comparator 1 Input B.                                 |
| C1INC    | 24                     | 21         | 11              | I   | ANA              | Comparator 1 Input C.                                 |
| C1IND    | 9                      | 6          | 30              | I   | ANA              | Comparator 1 Input D.                                 |
| C2INA    | 5                      | 2          | 22              | I   | ANA              | Comparator 2 Input A.                                 |
| C2INB    | 4                      | 1          | 21              | I   | ANA              | Comparator 2 Input B.                                 |
| C2INC    | 12                     | 9          | 34              | I   | ANA              | Comparator 2 Input C.                                 |
| C2IND    | 11                     | 8          | 33              | I   | ANA              | Comparator 2 Input D.                                 |
| C3INA    | 26                     | 23         | 15              | I   | ANA              | Comparator 3 Input A.                                 |
| C3INB    | 25                     | 22         | 14              | I   | ANA              | Comparator 3 Input B.                                 |
| C3INC    | 2                      | 27         | 19              | I   | ANA              | Comparator 3 Input C.                                 |
| C3IND    | 3                      | 28         | 20              | I   | ANA              | Comparator 3 Input D.                                 |
| CLKI     | 9                      | 6          | 30              | I   | ANA              | Main Clock Input Connection.                          |
| CLKO     | 10                     | 7          | 31              | O   | —                | System Clock Output.                                  |

**Legend:** TTL = TTL input buffer  
ANA = Analog level input/output

ST = Schmitt Trigger input buffer  
I<sup>2</sup>C™ = I<sup>2</sup>C/SMBus input buffer

# PIC24FJ64GB004 FAMILY

**TABLE 1-2: PIC24FJ64GB004 FAMILY PINOUT DESCRIPTIONS (CONTINUED)**

| Function | Pin Number              |            |                 | I/O | Input Buffer | Description                                         |
|----------|-------------------------|------------|-----------------|-----|--------------|-----------------------------------------------------|
|          | 28-Pin SPDIP/ SOIC/SSOP | 28-Pin QFN | 44-Pin QFN/TQFP |     |              |                                                     |
| CN0      | 12                      | 9          | 34              | I   | ST           | Interrupt-on-Change Inputs.                         |
| CN1      | 11                      | 8          | 33              | I   | ST           |                                                     |
| CN2      | 2                       | 27         | 19              | I   | ST           |                                                     |
| CN3      | 3                       | 28         | 20              | I   | ST           |                                                     |
| CN4      | 4                       | 1          | 21              | I   | ST           |                                                     |
| CN5      | 5                       | 2          | 22              | I   | ST           |                                                     |
| CN6      | 6                       | 3          | 23              | I   | ST           |                                                     |
| CN7      | 7                       | 4          | 24              | I   | ST           |                                                     |
| CN8      | —                       | —          | 25              | I   | ST           |                                                     |
| CN9      | —                       | —          | 26              | I   | ST           |                                                     |
| CN10     | —                       | —          | 27              | I   | ST           |                                                     |
| CN11     | 26                      | 23         | 15              | I   | ST           |                                                     |
| CN12     | 25                      | 22         | 14              | I   | ST           |                                                     |
| CN13     | 24                      | 21         | 11              | I   | ST           |                                                     |
| CN15     | 22                      | 19         | 9               | I   | ST           |                                                     |
| CN16     | 21                      | 18         | 8               | I   | ST           |                                                     |
| CN17     | —                       | —          | 3               | I   | ST           |                                                     |
| CN18     | —                       | —          | 2               | I   | ST           |                                                     |
| CN19     | —                       | —          | 5               | I   | ST           |                                                     |
| CN20     | —                       | —          | 4               | I   | ST           |                                                     |
| CN21     | 18                      | 15         | 1               | I   | ST           |                                                     |
| CN22     | 17                      | 14         | 44              | I   | ST           |                                                     |
| CN23     | 16                      | 13         | 43              | I   | ST           |                                                     |
| CN25     | —                       | —          | 37              | I   | ST           |                                                     |
| CN26     | —                       | —          | 38              | I   | ST           |                                                     |
| CN27     | 14                      | 11         | 41              | I   | ST           |                                                     |
| CN28     | —                       | —          | 36              | I   | ST           |                                                     |
| CN29     | 10                      | 7          | 31              | I   | ST           |                                                     |
| CN30     | 9                       | 6          | 30              | I   | ST           |                                                     |
| CTED1    | 2                       | 27         | 19              | I   | ANA          |                                                     |
| CTED2    | 3                       | 28         | 20              | I   | ANA          | CTMU External Edge Input 2.                         |
| CVREF    | 25                      | 22         | 14              | O   | —            | Comparator Voltage Reference Output.                |
| D+       | 21                      | 18         | 8               | I/O | —            | USB Differential Plus Line (internal transceiver).  |
| D-       | 22                      | 19         | 9               | I/O | —            | USB Differential Minus Line (internal transceiver). |
| DMH      | 5                       | 2          | 22              | O   | —            | D- External Pull-up Control Output.                 |
| DMLN     | 7                       | 4          | 24              | O   | —            | D- External Pull-down Control Output.               |
| DPH      | 4                       | 1          | 21              | O   | —            | D+ External Pull-up Control Output.                 |
| DPLN     | 6                       | 3          | 23              | O   | —            | D+ External Pull-down Control Output.               |
| DISVREG  | 19                      | 16         | 6               | I   | ST           | Voltage Regulator Disable.                          |

**Legend:** TTL = TTL input buffer  
ANA = Analog level input/output

ST = Schmitt Trigger input buffer  
I<sup>2</sup>C™ = I<sup>2</sup>C/SMBus input buffer

# PIC24FJ64GB004 FAMILY

**TABLE 1-2: PIC24FJ64GB004 FAMILY PINOUT DESCRIPTIONS (CONTINUED)**

| Function | Pin Number              |            |                 | I/O | Input Buffer | Description                                                                                       |
|----------|-------------------------|------------|-----------------|-----|--------------|---------------------------------------------------------------------------------------------------|
|          | 28-Pin SPDIP/ SOIC/SSOP | 28-Pin QFN | 44-Pin QFN/TQFP |     |              |                                                                                                   |
| INT0     | 16                      | 13         | 43              | I   | ST           | External Interrupt Input.                                                                         |
| MCLR     | 1                       | 26         | 18              | I   | ST           | Master Clear (device Reset) Input. This line is brought low to cause a Reset.                     |
| OSCI     | 9                       | 6          | 30              | I   | ANA          | Main Oscillator Input Connection.                                                                 |
| OSCO     | 10                      | 7          | 31              | O   | ANA          | Main Oscillator Output Connection.                                                                |
| PGEC1    | 5                       | 2          | 22              | I/O | ST           | In-Circuit Debugger/Emulator/ICSP™ Programming Clock.                                             |
| PGED1    | 4                       | 1          | 21              | I/O | ST           | In-Circuit Debugger/Emulator/ICSP Programming Data.                                               |
| PGEC2    | 22                      | 19         | 9               | I/O | ST           | In-Circuit Debugger/Emulator/ICSP Programming Clock.                                              |
| PGED2    | 21                      | 18         | 8               | I/O | ST           | In-Circuit Debugger/Emulator/ICSP Programming Data.                                               |
| PGEC3    | 3                       | 28         | 20              | I/O | ST           | In-Circuit Debugger/Emulator/ICSP Programming Clock.                                              |
| PGED3    | 2                       | 27         | 19              | I/O | ST           | In-Circuit Debugger/Emulator/ICSP Programming Data.                                               |
| PMA0     | 10                      | 7          | 3               | I/O | ST           | Parallel Master Port Address Bit 0 Input (Buffered Slave modes) and Output (Master modes).        |
| PMA1     | 12                      | 9          | 2               | I/O | ST           | Parallel Master Port Address Bit 1 Input (Buffered Slave modes) and Output (Master modes).        |
| PMA2     | —                       | —          | 27              | O   | —            | Parallel Master Port Address (Demultiplexed Master modes).                                        |
| PMA3     | —                       | —          | 38              | O   | —            |                                                                                                   |
| PMA4     | —                       | —          | 37              | O   | —            |                                                                                                   |
| PMA5     | —                       | —          | 4               | O   | —            |                                                                                                   |
| PMA6     | —                       | —          | 5               | O   | —            |                                                                                                   |
| PMA7     | —                       | —          | 13              | O   | —            |                                                                                                   |
| PMA8     | —                       | —          | 32              | O   | —            |                                                                                                   |
| PMA9     | —                       | —          | 35              | O   | —            |                                                                                                   |
| PMA10    | —                       | —          | 12              | O   | —            |                                                                                                   |
| PMCS1    | 9                       | 6          | 30              | I/O | ST/TTL       |                                                                                                   |
| PMBE     | 11                      | 8          | 36              | O   | —            | Parallel Master Port Byte Enable Strobe.                                                          |
| PMD0     | 4                       | 1          | 21              | I/O | ST/TTL       | Parallel Master Port Data (Demultiplexed Master mode) or Address/Data (Multiplexed Master modes). |
| PMD1     | 5                       | 2          | 22              | I/O | ST/TTL       |                                                                                                   |
| PMD2     | 6                       | 3          | 23              | I/O | ST/TTL       |                                                                                                   |
| PMD3     | 18                      | 15         | 1               | I/O | ST/TTL       |                                                                                                   |
| PMD4     | 17                      | 14         | 44              | I/O | ST/TTL       |                                                                                                   |
| PMD5     | 16                      | 13         | 43              | I/O | ST/TTL       |                                                                                                   |
| PMD6     | 3                       | 28         | 20              | I/O | ST/TTL       |                                                                                                   |
| PMD7     | 2                       | 27         | 19              | I/O | ST/TTL       |                                                                                                   |
| PMRD     | 24                      | 21         | 11              | O   | —            | Parallel Master Port Read Strobe.                                                                 |
| PMWR     | 7                       | 4          | 24              | O   | —            | Parallel Master Port Write Strobe.                                                                |

**Legend:** TTL = TTL input buffer  
ANA = Analog level input/output

ST = Schmitt Trigger input buffer  
I<sup>2</sup>C™ = I<sup>2</sup>C/SMBus input buffer

# PIC24FJ64GB004 FAMILY

**TABLE 1-2: PIC24FJ64GB004 FAMILY PINOUT DESCRIPTIONS (CONTINUED)**

| Function | Pin Number              |            |                 | I/O | Input Buffer | Description                                    |
|----------|-------------------------|------------|-----------------|-----|--------------|------------------------------------------------|
|          | 28-Pin SPDIP/ SOIC/SSOP | 28-Pin QFN | 44-Pin QFN/TQFP |     |              |                                                |
| RA0      | 2                       | 27         | 19              | I/O | ST           | PORTA Digital I/O.                             |
| RA1      | 3                       | 28         | 20              | I/O | ST           |                                                |
| RA2      | 9                       | 6          | 30              | I/O | ST           |                                                |
| RA3      | 10                      | 7          | 31              | I/O | ST           |                                                |
| RA4      | 12                      | 9          | 34              | I/O | ST           |                                                |
| RA7      | —                       | —          | 13              | I/O | ST           |                                                |
| RA8      | —                       | —          | 32              | I/O | ST           |                                                |
| RA9      | —                       | —          | 35              | I/O | ST           |                                                |
| RA10     | —                       | —          | 12              | I/O | ST           |                                                |
| RB0      | 4                       | 1          | 21              | I/O | ST           |                                                |
| RB1      | 5                       | 2          | 22              | I/O | ST           |                                                |
| RB2      | 6                       | 3          | 23              | I/O | ST           |                                                |
| RB3      | 7                       | 4          | 24              | I/O | ST           |                                                |
| RB4      | 11                      | 8          | 33              | I/O | ST           |                                                |
| RB5      | 14                      | 11         | 41              | I/O | ST           |                                                |
| RB7      | 16                      | 13         | 43              | I/O | ST           |                                                |
| RB8      | 17                      | 14         | 44              | I/O | ST           |                                                |
| RB9      | 18                      | 15         | 1               | I/O | ST           |                                                |
| RB10     | 21                      | 18         | 8               | I/O | ST           |                                                |
| RB11     | 22                      | 19         | 9               | I/O | ST           |                                                |
| RB13     | 24                      | 21         | 11              | I/O | ST           |                                                |
| RB14     | 25                      | 22         | 14              | I/O | ST           |                                                |
| RB15     | 26                      | 23         | 15              | I/O | ST           |                                                |
| RC0      | —                       | —          | 25              | I/O | ST           | PORTC Digital I/O.                             |
| RC1      | —                       | —          | 26              | I/O | ST           |                                                |
| RC2      | —                       | —          | 27              | I/O | ST           |                                                |
| RC3      | —                       | —          | 36              | I/O | ST           |                                                |
| RC4      | —                       | —          | 37              | I/O | ST           |                                                |
| RC5      | —                       | —          | 38              | I/O | ST           |                                                |
| RC6      | —                       | —          | 2               | I/O | ST           |                                                |
| RC7      | —                       | —          | 3               | I/O | ST           |                                                |
| RC8      | —                       | —          | 4               | I/O | ST           |                                                |
| RC9      | —                       | —          | 5               | I/O | ST           |                                                |
| RCV      | 18                      | 15         | 1               | I   | ST           | USB Receive Input (from external transceiver). |
| REFO     | 24                      | 21         | 11              | O   | —            | Reference Clock Output.                        |

**Legend:** TTL = TTL input buffer  
ANA = Analog level input/output

ST = Schmitt Trigger input buffer  
I<sup>2</sup>C™ = I<sup>2</sup>C/SMBus input buffer



# PIC24FJ64GB004 FAMILY

**TABLE 1-2: PIC24FJ64GB004 FAMILY PINOUT DESCRIPTIONS (CONTINUED)**

| Function | Pin Number              |            |                 | I/O | Input Buffer     | Description                                           |
|----------|-------------------------|------------|-----------------|-----|------------------|-------------------------------------------------------|
|          | 28-Pin SPDIP/ SOIC/SSOP | 28-Pin QFN | 44-Pin QFN/TQFP |     |                  |                                                       |
| RP0      | 4                       | 1          | 21              | I/O | ST               | Remappable Peripheral (input or output).              |
| RP1      | 5                       | 2          | 22              | I/O | ST               |                                                       |
| RP2      | 6                       | 3          | 23              | I/O | ST               |                                                       |
| RP3      | 7                       | 4          | 24              | I/O | ST               |                                                       |
| RP4      | 11                      | 8          | 33              | I/O | ST               |                                                       |
| RP5      | 2                       | 27         | 19              | I/O | ST               |                                                       |
| RP6      | 3                       | 28         | 20              | I/O | ST               |                                                       |
| RP7      | 16                      | 13         | 43              | I/O | ST               |                                                       |
| RP8      | 17                      | 14         | 44              | I/O | ST               |                                                       |
| RP9      | 18                      | 15         | 1               | I/O | ST               |                                                       |
| RP10     | 21                      | 18         | 8               | I/O | ST               |                                                       |
| RP11     | 22                      | 19         | 9               | I/O | ST               |                                                       |
| RP13     | 24                      | 21         | 11              | I/O | ST               |                                                       |
| RP14     | 25                      | 22         | 14              | I/O | ST               |                                                       |
| RP15     | 26                      | 23         | 15              | I/O | ST               |                                                       |
| RP16     | —                       | —          | 25              | I/O | ST               |                                                       |
| RP17     | —                       | —          | 26              | I/O | ST               |                                                       |
| RP18     | —                       | —          | 27              | I/O | ST               |                                                       |
| RP19     | —                       | —          | 36              | I/O | ST               |                                                       |
| RP20     | —                       | —          | 37              | I/O | ST               |                                                       |
| RP21     | —                       | —          | 38              | I/O | ST               |                                                       |
| RP22     | —                       | —          | 2               | I/O | ST               |                                                       |
| RP23     | —                       | —          | 3               | I/O | ST               |                                                       |
| RP24     | —                       | —          | 4               | I/O | ST               |                                                       |
| RP25     | —                       | —          | 5               | I/O | ST               |                                                       |
| RTCC     | 7                       | 4          | 24              | O   | —                | Real-Time Clock Alarm/Seconds Pulse Output.           |
| SESEND   | 24                      | 21         | 11              | I   | ST               | USB Vbus Session End Status Input.                    |
| SESSVLD  | 3                       | 28         | 20              | I   | ST               | USB Vbus Session Valid Status Input.                  |
| SCL1     | 17                      | 14         | 44              | I/O | I <sup>2</sup> C | I2C1 Synchronous Serial Clock Input/Output.           |
| SCL2     | 7                       | 4          | 24              | I/O | I <sup>2</sup> C | I2C2 Synchronous Serial Clock Input/Output.           |
| SDA1     | 18                      | 15         | 1               | I/O | I <sup>2</sup> C | I2C1 Data Input/Output.                               |
| SDA2     | 6                       | 3          | 23              | I/O | I <sup>2</sup> C | I2C2 Data Input/Output.                               |
| SOSCI    | 11                      | 8          | 33              | I   | ANA              | Secondary Oscillator/Timer1 Clock Input.              |
| SOSCO    | 12                      | 9          | 34              | O   | ANA              | Secondary Oscillator/Timer1 Clock Output.             |
| T1CK     | 12                      | 9          | 34              | I   | ST               | Timer1 Clock Input.                                   |
| TCK      | 17                      | 14         | 13              | I   | ST               | JTAG Test Clock Input.                                |
| TDI      | 16                      | 13         | 35              | I   | ST               | JTAG Test Data Input.                                 |
| TDO      | 18                      | 15         | 32              | O   | —                | JTAG Test Data Output.                                |
| TMS      | 14                      | 11         | 12              | I   | ST               | JTAG Test Mode Select Input.                          |
| USBID    | 14                      | 11         | 41              | I   | ST               | USB OTG ID (OTG mode only).                           |
| USBOEN   | 17                      | 14         | 44              | O   | —                | USB Output Enable Control (for external transceiver). |

**Legend:** TTL = TTL input buffer  
ANA = Analog level input/output

ST = Schmitt Trigger input buffer  
I<sup>2</sup>C™ = I<sup>2</sup>C/SMBus input buffer

# PIC24FJ64GB004 FAMILY

**TABLE 1-2: PIC24FJ64GB004 FAMILY PINOUT DESCRIPTIONS (CONTINUED)**

| Function | Pin Number              |            |                 | I/O | Input Buffer | Description                                                          |
|----------|-------------------------|------------|-----------------|-----|--------------|----------------------------------------------------------------------|
|          | 28-Pin SPDIP/ SOIC/SSOP | 28-Pin QFN | 44-Pin QFN/TQFP |     |              |                                                                      |
| VBUS     | 15                      | 12         | 42              | P   | —            | USB Voltage, Host mode (5V).                                         |
| VBUSCHG  | 26                      | 23         | 15              | O   | —            | USB External VBUS Control Output                                     |
| VBUSON   | 25                      | 22         | 14              | O   | —            | USB OTG External Charge Pump Control.                                |
| VBUSST   | 26                      | 23         | 15              | I   | ANA          | USB OTG Internal Charge Pump Feedback Control.                       |
| VBUSVLD  | 2                       | 27         | 19              | I   | ST           | USB Vbus Valid Status Input.                                         |
| VCAP     | 20                      | 17         | 7               | P   | —            | External Filter Capacitor Connection (regulator enabled).            |
| VCPCON   | 25                      | 22         | 14              | O   | —            | USB OTG Vbus PWM/Charge Output.                                      |
| VDD      | 13, 28                  | 10, 25     | 28, 40          | P   | —            | Positive Supply for Peripheral Digital Logic and I/O Pins.           |
| VDDCORE  | 20                      | 17         | 7               | P   | —            | Positive Supply for Microcontroller Core Logic (regulator disabled). |
| VMIO     | 22                      | 19         | 9               | I/O | ST           | USB Differential Minus Input/Output (external transceiver).          |
| VPIO     | 21                      | 18         | 8               | I/O | ST           | USB Differential Plus Input/Output (external transceiver).           |
| VREF-    | 3                       | 28         | 20              | I   | ANA          | A/D and Comparator Reference Voltage (low) Input.                    |
| VREF+    | 2                       | 27         | 19              | I   | ANA          | A/D and Comparator Reference Voltage (high) Input.                   |
| VSS      | 8, 27                   | 5, 24      | 29, 39          | P   | —            | Ground Reference for Logic and I/O Pins.                             |
| VUSB     | 23                      | 20         | 10              | P   | —            | USB Voltage (3.3V).                                                  |

**Legend:** TTL = TTL input buffer  
ANA = Analog level input/output

ST = Schmitt Trigger input buffer  
I<sup>2</sup>C™ = I<sup>2</sup>C/SMBus input buffer

# PIC24FJ64GB004 FAMILY

## 2.0 GUIDELINES FOR GETTING STARTED WITH 16-BIT MICROCONTROLLERS

### 2.1 Basic Connection Requirements

Getting started with the PIC24FJ64GB004 family of 16-bit microcontrollers requires attention to a minimal set of device pin connections before proceeding with development.

The following pins must always be connected:

- All VDD and VSS pins (see **Section 2.2 “Power Supply Pins”**)
- All AVDD and AVSS pins, regardless of whether or not the analog device features are used (see **Section 2.2 “Power Supply Pins”**)
- MCLR pin (see **Section 2.3 “Master Clear (MCLR) Pin”**)
- ENVREG/DISVREG and VCAP/VDDCORE pins (PIC24FJ devices only) (see **Section 2.4 “Voltage Regulator Pins (ENVREG/DISVREG and VCAP/VDDCORE)”**)

These pins must also be connected if they are being used in the end application:

- PGECx/PGEDx pins used for In-Circuit Serial Programming™ (ICSP™) and debugging purposes (see **Section 2.5 “ICSP Pins”**)
- OSCI and OSCO pins when an external oscillator source is used (see **Section 2.6 “External Oscillator Pins”**)

Additionally, the following pins may be required:

- VREF+/VREF- pins used when external voltage reference for analog modules is implemented

**Note:** The AVDD and AVSS pins must always be connected, regardless of whether any of the analog modules are being used.

The minimum mandatory connections are shown in Figure 2-1.

FIGURE 2-1: RECOMMENDED MINIMUM CONNECTIONS



**Key (all values are recommendations):**

C1 through C6: 0.1  $\mu$ F, 20V ceramic

C7: 10  $\mu$ F, 6.3V or greater, tantalum or ceramic

R1: 10 k $\Omega$

R2: 100 $\Omega$  to 470 $\Omega$

**Note 1:** See **Section 2.4 “Voltage Regulator Pins (ENVREG/DISVREG and VCAP/VDDCORE)”** for explanation of ENVREG/DISVREG pin connections.

**Note 2:** The example shown is for a PIC24F device with five VDD/VSS and AVDD/AVSS pairs. Other devices may have more or less pairs; adjust the number of decoupling capacitors appropriately.

# PIC24FJ64GB004 FAMILY

## 2.2 Power Supply Pins

### 2.2.1 DECOUPLING CAPACITORS

The use of decoupling capacitors on every pair of power supply pins, such as VDD, VSS, AVDD and AVSS is required.

Consider the following criteria when using decoupling capacitors:

- **Value and type of capacitor:** A 0.1  $\mu\text{F}$  (100 nF), 10-20V capacitor is recommended. The capacitor should be a low-ESR device with a resonance frequency in the range of 200 MHz and higher. Ceramic capacitors are recommended.
- **Placement on the printed circuit board:** The decoupling capacitors should be placed as close to the pins as possible. It is recommended to place the capacitors on the same side of the board as the device. If space is constricted, the capacitor can be placed on another layer on the PCB using a via; however, ensure that the trace length from the pin to the capacitor is no greater than 0.25 inch (6 mm).
- **Handling high-frequency noise:** If the board is experiencing high-frequency noise (upward of tens of MHz), add a second ceramic type capacitor in parallel to the above described decoupling capacitor. The value of the second capacitor can be in the range of 0.01  $\mu\text{F}$  to 0.001  $\mu\text{F}$ . Place this second capacitor next to each primary decoupling capacitor. In high-speed circuit designs, consider implementing a decade pair of capacitances as close to the power and ground pins as possible (e.g., 0.1  $\mu\text{F}$  in parallel with 0.001  $\mu\text{F}$ ).
- **Maximizing performance:** On the board layout from the power supply circuit, run the power and return traces to the decoupling capacitors first, and then to the device pins. This ensures that the decoupling capacitors are first in the power chain. Equally important is to keep the trace length between the capacitor and the power pins to a minimum, thereby reducing PCB trace inductance.

### 2.2.2 TANK CAPACITORS

On boards with power traces running longer than six inches in length, it is suggested to use a tank capacitor for integrated circuits including microcontrollers to supply a local power source. The value of the tank capacitor should be determined based on the trace resistance that connects the power supply source to the device, and the maximum current drawn by the device in the application. In other words, select the tank capacitor so that it meets the acceptable voltage sag at the device. Typical values range from 4.7  $\mu\text{F}$  to 47  $\mu\text{F}$ .

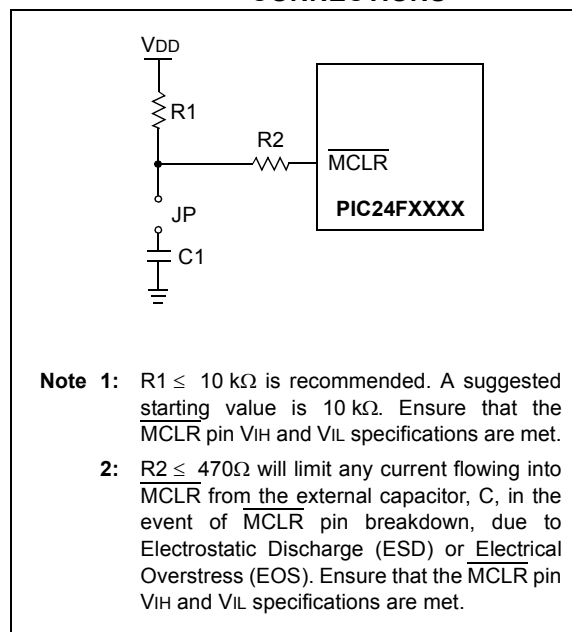
## 2.3 Master Clear ( $\overline{\text{MCLR}}$ ) Pin

The  $\overline{\text{MCLR}}$  pin provides two specific device functions: device Reset, and device programming and debugging. If programming and debugging are not required in the end application, a direct connection to VDD may be all that is required. The addition of other components, to help increase the application's resistance to spurious Resets from voltage sags, may be beneficial. A typical configuration is shown in Figure 2-1. Other circuit designs may be implemented, depending on the application's requirements.

During programming and debugging, the resistance and capacitance that can be added to the pin must be considered. Device programmers and debuggers drive the  $\overline{\text{MCLR}}$  pin. Consequently, specific voltage levels ( $V_{IH}$  and  $V_{IL}$ ) and fast signal transitions must not be adversely affected. Therefore, specific values of R1 and C1 will need to be adjusted based on the application and PCB requirements. For example, it is recommended that the capacitor, C1, be isolated from the  $\overline{\text{MCLR}}$  pin during programming and debugging operations by using a jumper (Figure 2-2). The jumper is replaced for normal run-time operations.

Any components associated with the  $\overline{\text{MCLR}}$  pin should be placed within 0.25 inch (6 mm) of the pin.

**FIGURE 2-2: EXAMPLE OF  $\overline{\text{MCLR}}$  PIN CONNECTIONS**



# PIC24FJ64GB004 FAMILY

## 2.4 Voltage Regulator Pins (ENVREG/DISVREG and VCAP/VDDCORE)

**Note:** This section applies only to PIC24FJ devices with an on-chip voltage regulator.

The on-chip voltage regulator enable/disable pin (ENVREG or DISVREG, depending on the device family) must always be connected directly to either a supply voltage or to ground. The particular connection is determined by whether or not the regulator is to be used:

- For ENVREG, tie to VDD to enable the regulator, or to ground to disable the regulator
- For DISVREG, tie to ground to enable the regulator or to VDD to disable the regulator

Refer to **Section 26.2 “On-Chip Voltage Regulator”** for details on connecting and using the on-chip regulator.

When the regulator is enabled, a low-ESR (<5 $\Omega$ ) capacitor is required on the VCAP/VDDCORE pin to stabilize the voltage regulator output voltage. The VCAP/VDDCORE pin must not be connected to VDD, and must use a capacitor of 10  $\mu$ F connected to ground. The type can be ceramic or tantalum. A suitable example is the Murata GRM21BF50J106ZE01 (10  $\mu$ F, 6.3V) or equivalent. Designers may use Figure 2-3 to evaluate ESR equivalence of candidate devices.

The placement of this capacitor should be close to VCAP/VDDCORE. It is recommended that the trace length not exceed 0.25 inch (6 mm). Refer to **Section 29.0 “Electrical Characteristics”** for additional information.

When the regulator is disabled, the VCAP/VDDCORE pin must be tied to a voltage supply at the VDDCORE level. Refer to **Section 29.0 “Electrical Characteristics”** for information on VDD and VDDCORE.

**FIGURE 2-3: FREQUENCY vs. ESR PERFORMANCE FOR SUGGESTED VCAP**



## 2.5 ICSP Pins

The PGECx and PGEDx pins are used for In-Circuit Serial Programming (ICSP) and debugging purposes. It is recommended to keep the trace length between the ICSP connector and the ICSP pins on the device as short as possible. If the ICSP connector is expected to experience an ESD event, a series resistor is recommended, with the value in the range of a few tens of ohms, not to exceed 100 $\Omega$ .

Pull-up resistors, series diodes and capacitors on the PGECx and PGEDx pins are not recommended as they will interfere with the programmer/debugger communications to the device. If such discrete components are an application requirement, they should be removed from the circuit during programming and debugging. Alternatively, refer to the AC/DC characteristics and timing requirements information in the respective device Flash programming specification for information on capacitive loading limits and pin input voltage high (VIH) and input low (VIL) requirements.

For device emulation, ensure that the “Communication Channel Select” (i.e., PGECx/PGEDx pins) programmed into the device matches the physical connections for the ICSP to the Microchip debugger/emulator tool.

For more information on available Microchip development tools connection requirements, refer to **Section 27.0 “Development Support”**.

# PIC24FJ64GB004 FAMILY

## 2.6 External Oscillator Pins

Many microcontrollers have options for at least two oscillators: a high-frequency primary oscillator and a low-frequency secondary oscillator (refer to **Section 8.0 “Oscillator Configuration”** for details).

The oscillator circuit should be placed on the same side of the board as the device. Place the oscillator circuit close to the respective oscillator pins with no more than 0.5 inch (12 mm) between the circuit components and the pins. The load capacitors should be placed next to the oscillator itself, on the same side of the board.

Use a grounded copper pour around the oscillator circuit to isolate it from surrounding circuits. The grounded copper pour should be routed directly to the MCU ground. Do not run any signal traces or power traces inside the ground pour. Also, if using a two-sided board, avoid any traces on the other side of the board where the crystal is placed.

Layout suggestions are shown in Figure 2-4. In-line packages may be handled with a single-sided layout that completely encompasses the oscillator pins. With fine-pitch packages, it is not always possible to completely surround the pins and components. A suitable solution is to tie the broken guard sections to a mirrored ground layer. In all cases, the guard trace(s) must be returned to ground.

In planning the application’s routing and I/O assignments, ensure that adjacent port pins and other signals in close proximity to the oscillator are benign (i.e., free of high frequencies, short rise and fall times and other similar noise).

For additional information and design guidance on oscillator circuits, please refer to these Microchip Application Notes, available at the corporate web site ([www.microchip.com](http://www.microchip.com)):

- AN826, “Crystal Oscillator Basics and Crystal Selection for rPIC™ and PICmicro® Devices”
- AN849, “Basic PICmicro® Oscillator Design”
- AN943, “Practical PICmicro® Oscillator Analysis and Design”
- AN949, “Making Your Oscillator Work”

**FIGURE 2-4: SUGGESTED PLACEMENT OF THE OSCILLATOR CIRCUIT**



## 2.7 Configuration of Analog and Digital Pins During ICSP Operations

If an ICSP compliant emulator is selected as a debugger, it automatically initializes all of the A/D input pins (ANx) as “digital” pins. Depending on the particular device, this is done by setting all bits in the ADnPCFG register(s), or clearing all bit in the ANSx registers.

All PIC24F devices will have either one or more ADnPCFG registers or several ANSx registers (one for each port); no device will have both. Refer to **Section 10.2 “Configuring Analog Port Pins”** for more specific information.

The bits in these registers that correspond to the A/D pins that initialized the emulator must not be changed by the user application firmware; otherwise, communication errors will result between the debugger and the device.

If your application needs to use certain A/D pins as analog input pins during the debug session, the user application must modify the appropriate bits during initialization of the ADC module, as follows:

- For devices with an ADnPCFG register, clear the bits corresponding to the pin(s) to be configured as analog. Do not change any other bits, particularly those corresponding to the PGECx/PGEDx pair, at any time.
- For devices with ANSx registers, set the bits corresponding to the pin(s) to be configured as analog. Do not change any other bits, particularly those corresponding to the PGECx/PGEDx pair, at any time.

When a Microchip debugger/emulator is used as a programmer, the user application firmware must correctly configure the ADnPCFG or ANSx registers. Automatic initialization of this register is only done during debugger operation. Failure to correctly configure the register(s) will result in all A/D pins being recognized as analog input pins, resulting in the port value being read as a logic '0', which may affect user application functionality.

## 2.8 Unused I/Os

Unused I/O pins should be configured as outputs and driven to a logic low state. Alternatively, connect a 1 k $\Omega$  to 10 k $\Omega$  resistor to Vss on unused pins and drive the output to logic low.

# PIC24FJ64GB004 FAMILY

---

NOTES:



## 3.0 CPU

**Note:** This data sheet summarizes the features of this group of PIC24F devices. It is not intended to be a comprehensive reference source. For more information, refer to the “PIC24F Family Reference Manual”, Section 2. “CPU” (DS39703).

The PIC24F CPU has a 16-bit (data), modified Harvard architecture with an enhanced instruction set and a 24-bit instruction word with a variable length opcode field. The Program Counter (PC) is 23 bits wide and addresses up to 4M instructions of user program memory space. A single-cycle instruction prefetch mechanism is used to help maintain throughput and provides predictable execution. All instructions execute in a single cycle, with the exception of instructions that change the program flow, the double-word move (MOV.D) instruction and the table instructions. Overhead-free program loop constructs are supported using the REPEAT instructions, which are interruptible at any point.

PIC24F devices have sixteen, 16-bit working registers in the programmer's model. Each of the working registers can act as a data, address or address offset register. The 16th working register (W15) operates as a Software Stack Pointer for interrupts and calls.

The upper 32 Kbytes of the data space memory map can optionally be mapped into program space at any 16K word boundary defined by the 8-bit Program Space Visibility Page Address (PSVPAG) register. The program to data space mapping feature lets any instruction access program space as if it were data space.

The Instruction Set Architecture (ISA) has been significantly enhanced beyond that of the PIC18, but maintains an acceptable level of backward compatibility. All PIC18 instructions and addressing modes are supported either directly or through simple macros. Many of the ISA enhancements have been driven by compiler efficiency needs.

The core supports Inherent (no operand), Relative, Literal, Memory Direct and three groups of addressing modes. All modes support Register Direct and various Register Indirect modes. Each group offers up to seven addressing modes. Instructions are associated with predefined addressing modes depending upon their functional requirements.

For most instructions, the core is capable of executing a data (or program data) memory read, a working register (data) read, a data memory write and a program (instruction) memory read per instruction cycle. As a result, three parameter instructions can be supported, allowing trinary operations (that is,  $A + B = C$ ) to be executed in a single cycle.

A high-speed, 17-bit by 17-bit multiplier has been included to significantly enhance the core arithmetic capability and throughput. The multiplier supports Signed, Unsigned and Mixed mode, 16-bit by 16-bit or 8-bit by 8-bit integer multiplication. All multiply instructions execute in a single cycle.

The 16-bit ALU has been enhanced with integer divide assist hardware that supports an iterative non-restoring divide algorithm. It operates in conjunction with the REPEAT instruction looping mechanism and a selection of iterative divide instructions to support 32-bit (or 16-bit), divided by 16-bit, integer signed and unsigned division. All divide operations require 19 cycles to complete, but are interruptible at any cycle boundary.

The PIC24F has a vectored exception scheme with up to 8 sources of non-maskable traps and up to 118 interrupt sources. Each interrupt source can be assigned to one of seven priority levels.

A block diagram of the CPU is shown in Figure 3-1.

### 3.1 Programmer's Model

The programmer's model for the PIC24F is shown in Figure 3-2. All registers in the programmer's model are memory mapped and can be manipulated directly by instructions. A description of each register is provided in Table 3-1. All registers associated with the programmer's model are memory mapped.

# PIC24FJ64GB004 FAMILY

FIGURE 3-1: PIC24F CPU CORE BLOCK DIAGRAM

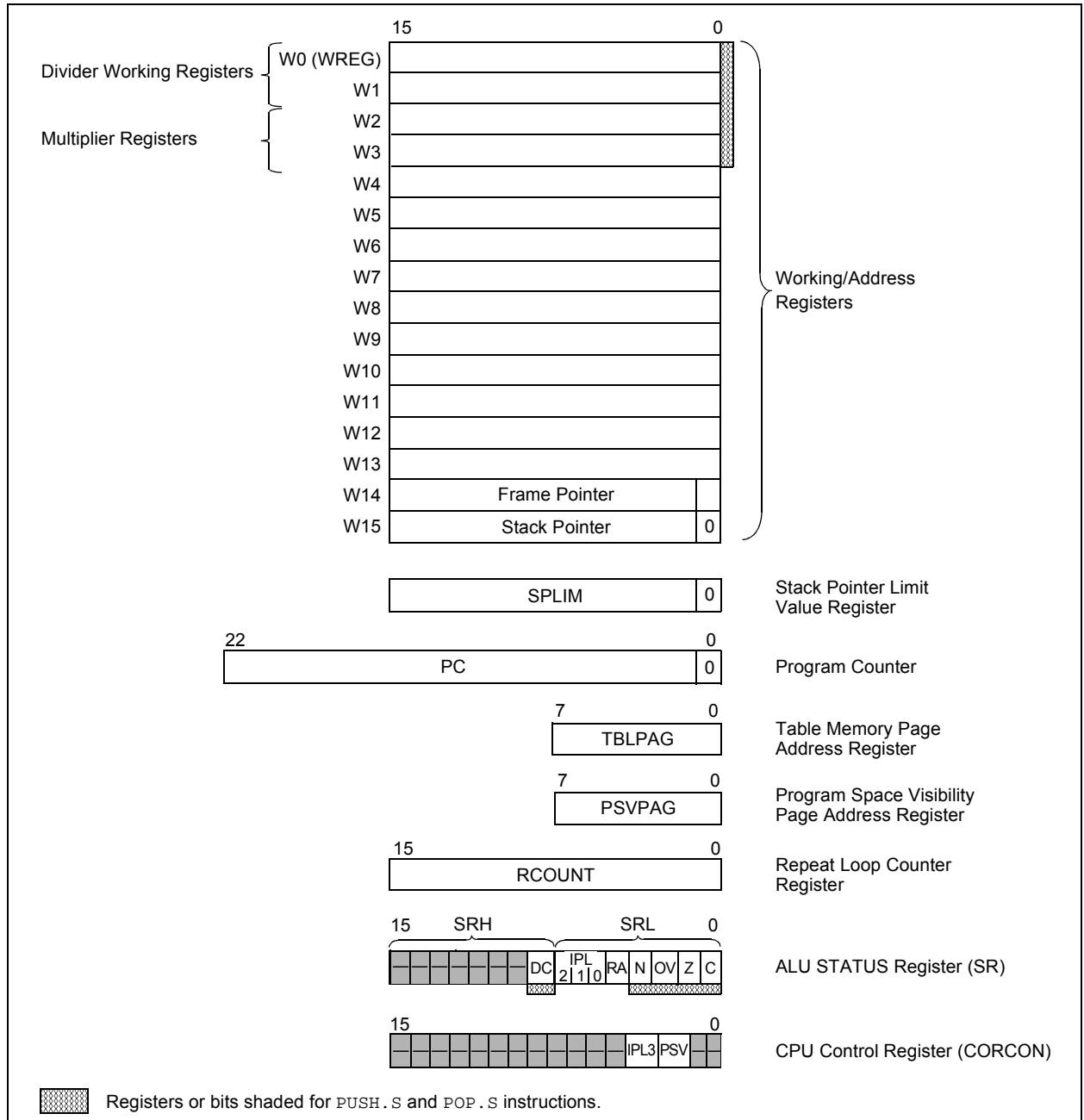


# PIC24FJ64GB004 FAMILY

**TABLE 3-1: CPU CORE REGISTERS**

| Register(s) Name | Description                                    |
|------------------|------------------------------------------------|
| W0 through W15   | Working Register Array                         |
| PC               | 23-Bit Program Counter                         |
| SR               | ALU STATUS Register                            |
| SPLIM            | Stack Pointer Limit Value Register             |
| TBLPAG           | Table Memory Page Address Register             |
| PSVPAG           | Program Space Visibility Page Address Register |
| RCOUNT           | Repeat Loop Counter Register                   |
| CORCON           | CPU Control Register                           |

**FIGURE 3-2: PROGRAMMER'S MODEL**



# PIC24FJ64GB004 FAMILY

## 3.2 CPU Control Registers

**REGISTER 3-1: SR: ALU STATUS REGISTER**

|        |     |     |     |     |     |     |       |
|--------|-----|-----|-----|-----|-----|-----|-------|
| U-0    | U-0 | U-0 | U-0 | U-0 | U-0 | U-0 | R/W-0 |
| —      | —   | —   | —   | —   | —   | —   | DC    |
| bit 15 |     |     |     |     |     |     | bit 8 |

|                      |                      |                      |     |       |       |       |       |
|----------------------|----------------------|----------------------|-----|-------|-------|-------|-------|
| R/W-0 <sup>(1)</sup> | R/W-0 <sup>(1)</sup> | R/W-0 <sup>(1)</sup> | R-0 | R/W-0 | R/W-0 | R/W-0 | R/W-0 |
| IPL2 <sup>(2)</sup>  | IPL1 <sup>(2)</sup>  | IPL0 <sup>(2)</sup>  | RA  | N     | OV    | Z     | C     |
| bit 7                |                      |                      |     |       |       |       | bit 0 |

**Legend:**

|                   |                  |                                    |
|-------------------|------------------|------------------------------------|
| R = Readable bit  | W = Writable bit | U = Unimplemented bit, read as '0' |
| -n = Value at POR | '1' = Bit is set | '0' = Bit is cleared               |
|                   |                  | x = Bit is unknown                 |

- bit 15-9      **Unimplemented:** Read as '0'
- bit 8        **DC:** ALU Half Carry/Borrow bit
  - 1 = A carry out from the 4th low-order bit (for byte-sized data) or 8th low-order bit (for word-sized data) of the result occurred
  - 0 = No carry out from the 4th or 8th low-order bit of the result has occurred
- bit 7-5      **IPL<2:0>:** CPU Interrupt Priority Level Status bits<sup>(1,2)</sup>
  - 111 = CPU interrupt priority level is 7 (15); user interrupts disabled
  - 110 = CPU interrupt priority level is 6 (14)
  - 101 = CPU interrupt priority level is 5 (13)
  - 100 = CPU interrupt priority level is 4 (12)
  - 011 = CPU interrupt priority level is 3 (11)
  - 010 = CPU interrupt priority level is 2 (10)
  - 001 = CPU interrupt priority level is 1 (9)
  - 000 = CPU interrupt priority level is 0 (8)
- bit 4        **RA:** REPEAT Loop Active bit
  - 1 = REPEAT loop in progress
  - 0 = REPEAT loop not in progress
- bit 3        **N:** ALU Negative bit
  - 1 = Result was negative
  - 0 = Result was non-negative (zero or positive)
- bit 2        **OV:** ALU Overflow bit
  - 1 = Overflow occurred for signed (2's complement) arithmetic in this arithmetic operation
  - 0 = No overflow has occurred
- bit 1        **Z:** ALU Zero bit
  - 1 = An operation which effects the Z bit has set it at some time in the past
  - 0 = The most recent operation which effects the Z bit has cleared it (i.e., a non-zero result)
- bit 0        **C:** ALU Carry/Borrow bit
  - 1 = A carry out from the Most Significant bit of the result occurred
  - 0 = No carry out from the Most Significant bit of the result occurred

**Note 1:** The IPL Status bits are read-only when NSTDIS (INTCON1<15>) = 1.  
**Note 2:** The IPL Status bits are concatenated with the IPL3 bit (CORCON<3>) to form the CPU Interrupt Priority Level (IPL). The value in parentheses indicates the IPL when IPL3 = 1.

# PIC24FJ64GB004 FAMILY

## REGISTER 3-2: CORCON: CPU CONTROL REGISTER

|        |     |     |     |     |     |       |     |
|--------|-----|-----|-----|-----|-----|-------|-----|
| U-0    | U-0 | U-0 | U-0 | U-0 | U-0 | U-0   | U-0 |
| —      | —   | —   | —   | —   | —   | —     | —   |
| bit 15 |     |     |     |     |     | bit 8 |     |

|       |     |     |     |                     |       |       |     |
|-------|-----|-----|-----|---------------------|-------|-------|-----|
| U-0   | U-0 | U-0 | U-0 | R/C-0               | R/W-0 | U-0   | U-0 |
| —     | —   | —   | —   | IPL3 <sup>(1)</sup> | PSV   | —     | —   |
| bit 7 |     |     |     |                     |       | bit 0 |     |

|                   |                   |                                    |
|-------------------|-------------------|------------------------------------|
| <b>Legend:</b>    | C = Clearable bit | U = Unimplemented bit, read as '0' |
| R = Readable bit  | W = Writable bit  | '0' = Bit is cleared               |
| -n = Value at POR | '1' = Bit is set  | x = Bit is unknown                 |

- bit 15-4     **Unimplemented:** Read as '0'
- bit 3       **IPL3:** CPU Interrupt Priority Level Status bit<sup>(1)</sup>  
             1 = CPU interrupt priority level is greater than 7  
             0 = CPU interrupt priority level is 7 or less
- bit 2       **PSV:** Program Space Visibility in Data Space Enable bit  
             1 = Program space visible in data space  
             0 = Program space not visible in data space
- bit 1-0     **Unimplemented:** Read as '0'

**Note 1:** User interrupts are disabled when IPL3 = 1.

### 3.3 Arithmetic Logic Unit (ALU)

The PIC24F ALU is 16 bits wide and is capable of addition, subtraction, bit shifts and logic operations. Unless otherwise mentioned, arithmetic operations are 2's complement in nature. Depending on the operation, the ALU may affect the values of the Carry (C), Zero (Z), Negative (N), Overflow (OV) and Digit Carry (DC) Status bits in the SR register. The C and DC Status bits operate as Borrow and Digit Borrow bits, respectively, for subtraction operations.

The ALU can perform 8-bit or 16-bit operations, depending on the mode of the instruction that is used. Data for the ALU operation can come from the W register array, or data memory, depending on the addressing mode of the instruction. Likewise, output data from the ALU can be written to the W register array or a data memory location.

The PIC24F CPU incorporates hardware support for both multiplication and division. This includes a dedicated hardware multiplier and support hardware for 16-bit divisor division.

#### 3.3.1 MULTIPLIER

The ALU contains a high-speed, 17-bit x 17-bit multiplier. It supports unsigned, signed or mixed sign operation in several multiplication modes:

1. 16-bit x 16-bit signed
2. 16-bit x 16-bit unsigned
3. 16-bit signed x 5-bit (literal) unsigned
4. 16-bit unsigned x 16-bit unsigned
5. 16-bit unsigned x 5-bit (literal) unsigned
6. 16-bit unsigned x 16-bit signed
7. 8-bit unsigned x 8-bit unsigned

# PIC24FJ64GB004 FAMILY

---

## 3.3.2 DIVIDER

The divide block supports signed and unsigned integer divide operations with the following data sizes:

1. 32-bit signed/16-bit signed divide
2. 32-bit unsigned/16-bit unsigned divide
3. 16-bit signed/16-bit signed divide
4. 16-bit unsigned/16-bit unsigned divide

The quotient for all divide instructions ends up in *W0* and the remainder in *W1*. Sixteen-bit signed and unsigned *DIV* instructions can specify any *W* register for both the 16-bit divisor (*Wn*), and any *W* register (aligned) pair (*W(m + 1):Wm*) for the 32-bit dividend. The divide algorithm takes one cycle per bit of divisor, so both 32-bit/16-bit and 16-bit/16-bit instructions take the same number of cycles to execute.

## 3.3.3 MULTI-BIT SHIFT SUPPORT

The PIC24F ALU supports both single bit and single-cycle, multi-bit arithmetic and logic shifts. Multi-bit shifts are implemented using a shifter block, capable of performing up to a 15-bit arithmetic right shift, or up to a 15-bit left shift, in a single cycle. All multi-bit shift instructions only support Register Direct Addressing for both the operand source and result destination.

A full summary of instructions that use the shift operation is provided below in Table 3-2.

**TABLE 3-2: INSTRUCTIONS THAT USE THE SINGLE AND MULTI-BIT SHIFT OPERATION**

| Instruction | Description                                                 |
|-------------|-------------------------------------------------------------|
| ASR         | Arithmetic Shift Right Source Register by One or More Bits. |
| SL          | Shift Left Source Register by One or More Bits.             |
| LSR         | Logical Shift Right Source Register by One or More Bits.    |

# PIC24FJ64GB004 FAMILY

## 4.0 MEMORY ORGANIZATION

As Harvard architecture devices, PIC24F micro-controllers feature separate program and data memory spaces and busses. This architecture also allows the direct access of program memory from the data space during code execution.

### 4.1 Program Address Space

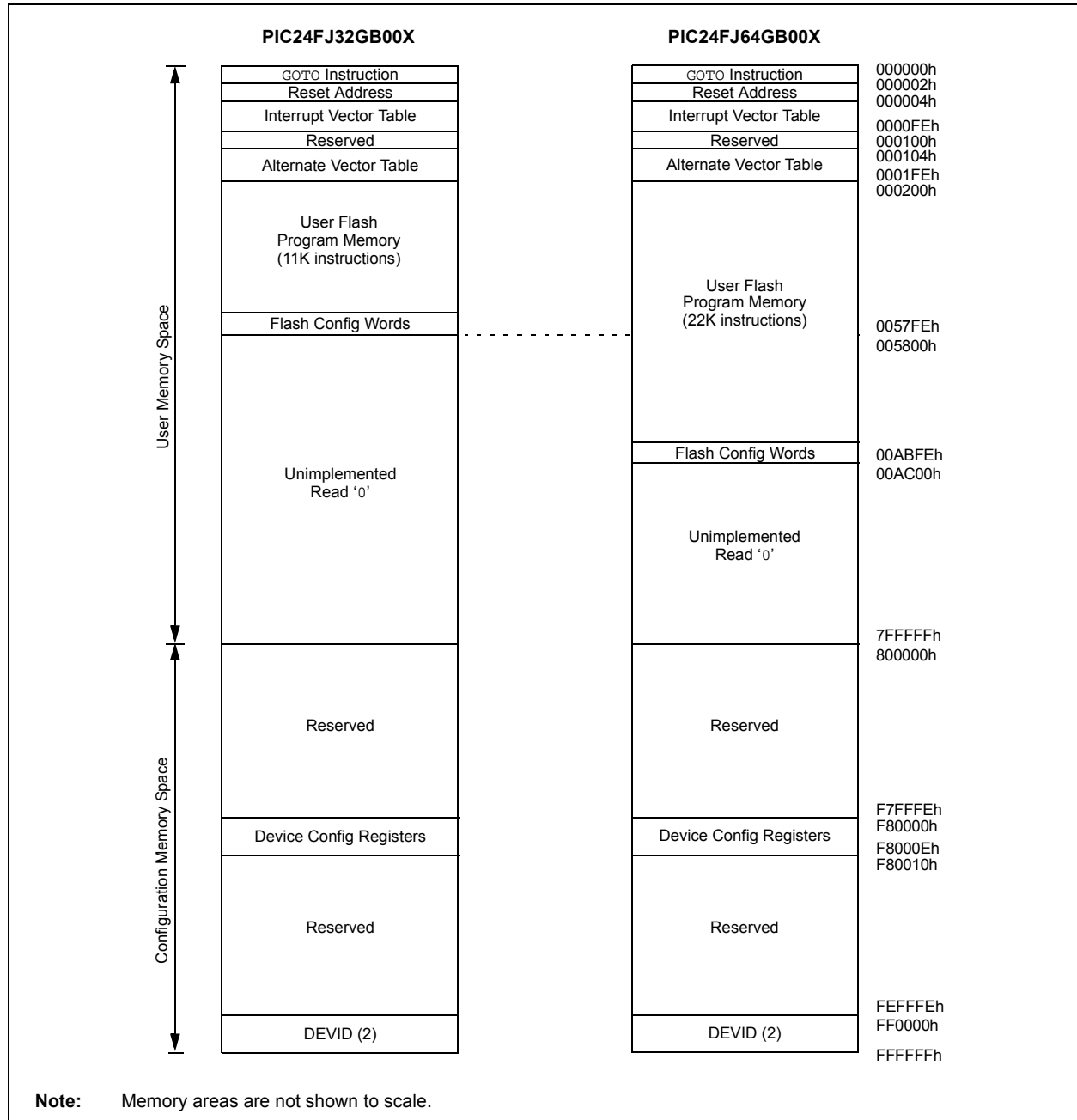
The program address memory space of the PIC24FJ64GB004 family devices is 4M instructions. The space is addressable by a 24-bit value derived

from either the 23-bit Program Counter (PC) during program execution, or from table operation or data space remapping, as described in **Section 4.3 “Interfacing Program and Data Memory Spaces”**.

User access to the program memory space is restricted to the lower half of the address range (000000h to 7FFFFFFh). The exception is the use of TBLRD/TBLWT operations which use TBLPAG<7> to permit access to the Configuration bits and Device ID sections of the configuration memory space.

Memory maps for the PIC24FJ64GB004 family of devices are shown in Figure 4-1.

**FIGURE 4-1: PROGRAM SPACE MEMORY MAP FOR PIC24FJ64GB004 FAMILY DEVICES**



# PIC24FJ64GB004 FAMILY

## 4.1.1 PROGRAM MEMORY ORGANIZATION

The program memory space is organized in word-addressable blocks. Although it is treated as 24 bits wide, it is more appropriate to think of each address of the program memory as a lower and upper word, with the upper byte of the upper word being unimplemented. The lower word always has an even address, while the upper word has an odd address (Figure 4-2).

Program memory addresses are always word-aligned on the lower word and addresses are incremented or decremented by two during code execution. This arrangement also provides compatibility with data memory space addressing and makes it possible to access data in the program memory space.

## 4.1.2 HARD MEMORY VECTORS

All PIC24F devices reserve the addresses between 00000h and 000200h for hard-coded program execution vectors. A hardware Reset vector is provided to redirect code execution from the default value of the PC on device Reset to the actual start of code. A GOTO instruction is programmed by the user at 000000h with the actual address for the start of code at 000002h.

PIC24F devices also have two interrupt vector tables, located from 000004h to 0000FFh and 000100h to 0001FFh. These vector tables allow each of the many device interrupt sources to be handled by separate ISRs. A more detailed discussion of the interrupt vector tables is provided in **Section 7.1 “Interrupt Vector Table”**.

## 4.1.3 FLASH CONFIGURATION WORDS

In PIC24FJ64GB004 family devices, the top four words of on-chip program memory are reserved for configuration information. On device Reset, the configuration information is copied into the appropriate Configuration registers. The addresses of the Flash Configuration Word for devices in the PIC24FJ64GB004 family are shown in Table 4-1. Their location in the memory map is shown with the other memory vectors in Figure 4-1.

The Configuration Words in program memory are a compact format. The actual Configuration bits are mapped in several different registers in the configuration memory space. Their order in the Flash Configuration Words do not reflect a corresponding arrangement in the configuration space. Additional details on the device Configuration Words are provided in **Section 26.1 “Configuration Bits”**.

**TABLE 4-1: FLASH CONFIGURATION WORDS FOR PIC24FJ64GB004 FAMILY DEVICES**

| Device       | Program Memory (Words) | Configuration Word Addresses |
|--------------|------------------------|------------------------------|
| PIC24FJ32GB0 | 11,008                 | 0057F8h:<br>0057FEh          |
| PIC24FJ64GB0 | 22,016                 | 00ABF8h:<br>00ABFEh          |

**FIGURE 4-2: PROGRAM MEMORY ORGANIZATION**





# PIC24FJ64GB004 FAMILY

## 4.2 Data Address Space

The PIC24F core has a separate, 16-bit wide data memory space, addressable as a single linear range. The data space is accessed using two Address Generation Units (AGUs), one each for read and write operations. The data space memory map is shown in Figure 4-3.

All Effective Addresses (EAs) in the data memory space are 16 bits wide and point to bytes within the data space. This gives a data space address range of 64 Kbytes or 32K words. The lower half of the data memory space (that is, when  $EA<15> = 0$ ) is used for implemented memory addresses, while the upper half ( $EA<15> = 1$ ) is reserved for the program space visibility area (see Section 4.3.3 “Reading Data from Program Memory Using Program Space Visibility”).

PIC24FJ64GB004 family devices implement a total of 16 Kbytes of data memory. Should an EA point to a location outside of this area, an all zero word or byte will be returned.

### 4.2.1 DATA SPACE WIDTH

The data memory space is organized in byte-addressable, 16-bit wide blocks. Data is aligned in data memory and registers as 16-bit words, but all data space EAs resolve to bytes. The Least Significant Bytes (LSBs) of each word have even addresses, while the Most Significant Bytes (MSBs) have odd addresses.

FIGURE 4-3: DATA SPACE MEMORY MAP FOR PIC24FJ64GB004 FAMILY DEVICES



# PIC24FJ64GB004 FAMILY

## 4.2.2 DATA MEMORY ORGANIZATION AND ALIGNMENT

To maintain backward compatibility with PIC® devices and improve data space memory usage efficiency, the PIC24F instruction set supports both word and byte operations. As a consequence of byte accessibility, all Effective Address calculations are internally scaled to step through word-aligned memory. For example, the core recognizes that Post-Modified Register Indirect Addressing mode [Ws++] will result in a value of Ws + 1 for byte operations and Ws + 2 for word operations.

Data byte reads will read the complete word which contains the byte using the LSb of any EA to determine which byte to select. The selected byte is placed onto the LSB of the data path. That is, data memory and registers are organized as two parallel, byte-wide entities with shared (word) address decode, but separate write lines. Data byte writes only write to the corresponding side of the array or register which matches the byte address.

All word accesses must be aligned to an even address. Misaligned word data fetches are not supported, so care must be taken when mixing byte and word operations or translating from 8-bit MCU code. If a misaligned read or write is attempted, an address error trap will be generated. If the error occurred on a read, the instruction underway is completed; if it occurred on a write, the instruction will be executed but the write will not occur. In either case, a trap is then executed, allowing the system and/or user to examine the machine state prior to execution of the address Fault.

All byte loads into any W register are loaded into the Least Significant Byte. The Most Significant Byte is not modified.

A Sign-Extend (SE) instruction is provided to allow users to translate 8-bit signed data to 16-bit signed values. Alternatively, for 16-bit unsigned data, users can clear the MSB of any W register by executing a Zero-Extend (ZE) instruction on the appropriate address.

Although most instructions are capable of operating on word or byte data sizes, it should be noted that some instructions operate only on words.

## 4.2.3 NEAR DATA SPACE

The 8-Kbyte area between 0000h and 1FFFh is referred to as the near data space. Locations in this space are directly addressable via a 13-bit absolute address field within all memory direct instructions. The remainder of the data space is indirectly addressable. Additionally, the whole data space is addressable using MOV instructions, which support Memory Direct Addressing with a 16-bit address field.

## 4.2.4 SFR SPACE

The first 2 Kbytes of the near data space, from 0000h to 07FFh, are primarily occupied with Special Function Registers (SFRs). These are used by the PIC24F core and peripheral modules for controlling the operation of the device.

SFRs are distributed among the modules that they control and are generally grouped together by the module. Much of the SFR space contains unused addresses; these are read as '0'. A diagram of the SFR space, showing where SFRs are actually implemented, is shown in Table 4-2. Each implemented area indicates a 32-byte region where at least one address is implemented as an SFR. A complete listing of implemented SFRs, including their addresses, is shown in Tables 4-3 through 4-27.

**TABLE 4-2: IMPLEMENTED REGIONS OF SFR DATA SPACE**

| SFR Space Address |                   |          |           |             |            |      |      |      |
|-------------------|-------------------|----------|-----------|-------------|------------|------|------|------|
|                   | xx00              | xx20     | xx40      | xx60        | xx80       | xxA0 | xxC0 | xxE0 |
| 000h              | Core              |          |           | ICN         | Interrupts |      |      | —    |
| 100h              | Timers            |          | Capture   |             | Compare    |      |      | —    |
| 200h              | I <sup>2</sup> C™ | UART     | SPI       | —           | —          | —    | I/O  |      |
| 300h              | A/D               | A/D/CTMU | —         | —           | —          | —    | —    | —    |
| 400h              | —                 | —        | —         | —           | USB        |      |      | —    |
| 500h              | —                 | —        | —         | —           | —          | —    | —    | —    |
| 600h              | PMP               | RTCC     | CRC/Comp  | Comparators | PPS        |      |      | —    |
| 700h              | —                 | —        | System/DS | NVM/PMD     | —          | —    | —    | —    |

**Legend:** — = No implemented SFRs in this block

**TABLE 4-3: CPU CORE REGISTERS MAP**

| File Name | Addr | Bit 15                             | Bit 14 | Bit 13                              | Bit 12 | Bit 11 | Bit 10 | Bit 9 | Bit 8 | Bit 7                                          | Bit 6 | Bit 5 | Bit 4 | Bit 3 | Bit 2 | Bit 1 | Bit 0 | All Resets |
|-----------|------|------------------------------------|--------|-------------------------------------|--------|--------|--------|-------|-------|------------------------------------------------|-------|-------|-------|-------|-------|-------|-------|------------|
| WREG0     | 0000 | Working Register 0                 |        |                                     |        |        |        |       |       |                                                |       |       |       |       |       |       |       | 0000       |
| WREG1     | 0002 | Working Register 1                 |        |                                     |        |        |        |       |       |                                                |       |       |       |       |       |       |       | 0000       |
| WREG2     | 0004 | Working Register 2                 |        |                                     |        |        |        |       |       |                                                |       |       |       |       |       |       |       | 0000       |
| WREG3     | 0006 | Working Register 3                 |        |                                     |        |        |        |       |       |                                                |       |       |       |       |       |       |       | 0000       |
| WREG4     | 0008 | Working Register 4                 |        |                                     |        |        |        |       |       |                                                |       |       |       |       |       |       |       | 0000       |
| WREG5     | 000A | Working Register 5                 |        |                                     |        |        |        |       |       |                                                |       |       |       |       |       |       |       | 0000       |
| WREG6     | 000C | Working Register 6                 |        |                                     |        |        |        |       |       |                                                |       |       |       |       |       |       |       | 0000       |
| WREG7     | 000E | Working Register 7                 |        |                                     |        |        |        |       |       |                                                |       |       |       |       |       |       |       | 0000       |
| WREG8     | 0010 | Working Register 8                 |        |                                     |        |        |        |       |       |                                                |       |       |       |       |       |       |       | 0000       |
| WREG9     | 0012 | Working Register 9                 |        |                                     |        |        |        |       |       |                                                |       |       |       |       |       |       |       | 0000       |
| WREG10    | 0014 | Working Register 10                |        |                                     |        |        |        |       |       |                                                |       |       |       |       |       |       |       | 0000       |
| WREG11    | 0016 | Working Register 11                |        |                                     |        |        |        |       |       |                                                |       |       |       |       |       |       |       | 0000       |
| WREG12    | 0018 | Working Register 12                |        |                                     |        |        |        |       |       |                                                |       |       |       |       |       |       |       | 0000       |
| WREG13    | 001A | Working Register 13                |        |                                     |        |        |        |       |       |                                                |       |       |       |       |       |       |       | 0000       |
| WREG14    | 001C | Working Register 14                |        |                                     |        |        |        |       |       |                                                |       |       |       |       |       |       |       | 0000       |
| WREG15    | 001E | Working Register 15                |        |                                     |        |        |        |       |       |                                                |       |       |       |       |       |       |       | 0800       |
| SPLIM     | 0020 | Stack Pointer Limit Value Register |        |                                     |        |        |        |       |       |                                                |       |       |       |       |       |       |       | xxxx       |
| PCL       | 002E | Program Counter Low Word Register  |        |                                     |        |        |        |       |       |                                                |       |       |       |       |       |       |       | 0000       |
| PCH       | 0030 | —                                  | —      | —                                   | —      | —      | —      | —     | —     | Program Counter Register High Byte             |       |       |       |       |       |       |       | 0000       |
| TBLPAG    | 0032 | —                                  | —      | —                                   | —      | —      | —      | —     | —     | Table Memory Page Address Register             |       |       |       |       |       |       |       | 0000       |
| PSVPAG    | 0034 | —                                  | —      | —                                   | —      | —      | —      | —     | —     | Program Space Visibility Page Address Register |       |       |       |       |       |       |       | 0000       |
| RCOUNT    | 0036 | Repeat Loop Counter Register       |        |                                     |        |        |        |       |       |                                                |       |       |       |       |       |       |       | xxxx       |
| SR        | 0042 | —                                  | —      | —                                   | —      | —      | —      | —     | DC    | IPL2                                           | IPL1  | IPL0  | RA    | N     | OV    | Z     | C     | 0000       |
| CORCON    | 0044 | —                                  | —      | —                                   | —      | —      | —      | —     | —     | —                                              | —     | —     | —     | IPL3  | PSV   | —     | —     | 0000       |
| DISICNT   | 0052 | —                                  | —      | Disable Interrupts Counter Register |        |        |        |       |       |                                                |       |       |       |       |       |       |       | xxxx       |

**Legend:** — = unimplemented, read as '0'. Reset values are shown in hexadecimal.

TABLE 4-4: ICN REGISTER MAP

| File Name | Addr | Bit 15  | Bit 14  | Bit 13  | Bit 12                 | Bit 11  | Bit 10                 | Bit 9                  | Bit 8                 | Bit 7   | Bit 6   | Bit 5   | Bit 4                  | Bit 3                  | Bit 2                  | Bit 1                  | Bit 0   | All Resets |
|-----------|------|---------|---------|---------|------------------------|---------|------------------------|------------------------|-----------------------|---------|---------|---------|------------------------|------------------------|------------------------|------------------------|---------|------------|
| CNEN1     | 0060 | CN15IE  | —       | CN13IE  | CN12IE                 | CN11IE  | CN10IE <sup>(1)</sup>  | CN9IE <sup>(1)</sup>   | CN8IE <sup>(1)</sup>  | CN7IE   | CN6IE   | CN5IE   | CN4IE                  | CN3IE                  | CN2IE                  | CN1IE                  | CN0IE   | 0000       |
| CNEN2     | 0062 | —       | CN30IE  | CN29IE  | CN28IE <sup>(1)</sup>  | CN27IE  | CN26IE <sup>(1)</sup>  | CN25IE <sup>(1)</sup>  | —                     | CN23IE  | CN22IE  | CN21IE  | CN20IE <sup>(1)</sup>  | CN19IE <sup>(1)</sup>  | CN18IE <sup>(1)</sup>  | CN17IE <sup>(1)</sup>  | CN16IE  | 0000       |
| CNPU1     | 0068 | CN15PUE | —       | CN13PUE | CN12PUE                | CN11PUE | CN10PUE <sup>(1)</sup> | CN9PUE <sup>(1)</sup>  | CN8PUE <sup>(1)</sup> | CN7PUE  | CN6PUE  | CN5PUE  | CN4PUE                 | CN3PUE                 | CN2PUE                 | CN1PUE                 | CN0PUE  | 0000       |
| CNPU2     | 006A | —       | CN30PUE | CN29PUE | CN28PUE <sup>(1)</sup> | CN27PUE | CN26PUE <sup>(1)</sup> | CN25PUE <sup>(1)</sup> | —                     | CN23PUE | CN22PUE | CN21PUE | CN20PUE <sup>(1)</sup> | CN19PUE <sup>(1)</sup> | CN18PUE <sup>(1)</sup> | CN17PUE <sup>(1)</sup> | CN16PUE | 0000       |

**Legend:** — = unimplemented, read as '0'. Reset values are shown in hexadecimal.

**Note 1:** Unimplemented in 28-pin devices; read as '0'.

**TABLE 4-5: INTERRUPT CONTROLLER REGISTER MAP**

| File Name | Addr | Bit 15 | Bit 14  | Bit 13  | Bit 12  | Bit 11 | Bit 10   | Bit 9    | Bit 8    | Bit 7 | Bit 6    | Bit 5    | Bit 4    | Bit 3   | Bit 2    | Bit 1    | Bit 0    | All Resets |
|-----------|------|--------|---------|---------|---------|--------|----------|----------|----------|-------|----------|----------|----------|---------|----------|----------|----------|------------|
| INTCON1   | 0080 | NSTDIS | —       | —       | —       | —      | —        | —        | —        | —     | —        | —        | MATHERR  | ADDRERR | STKERR   | OSCFAIL  | —        | 0000       |
| INTCON2   | 0082 | ALTIPT | DISI    | —       | —       | —      | —        | —        | —        | —     | —        | —        | —        | —       | INT2EP   | INT1EP   | INT0EP   | 0000       |
| IFS0      | 0084 | —      | —       | AD1IF   | U1TXIF  | U1RXIF | SPI1IF   | SPF1IF   | T3IF     | T2IF  | OC2IF    | IC2IF    | —        | T1IF    | OC1IF    | IC1IF    | INT0IF   | 0000       |
| IFS1      | 0086 | U2TXIF | U2RXIF  | INT2IF  | T5IF    | T4IF   | OC4IF    | OC3IF    | —        | —     | —        | —        | INT1IF   | CNIF    | CMIF     | MI2C1F   | SI2C1F   | 0000       |
| IFS2      | 0088 | —      | —       | PMPIF   | —       | —      | —        | OC5IF    | —        | IC5IF | IC4IF    | IC3IF    | —        | —       | —        | SPI2IF   | SPF2IF   | 0000       |
| IFS3      | 008A | —      | RTCIF   | —       | —       | —      | —        | —        | —        | —     | —        | —        | —        | —       | MI2C2IF  | SI2C2IF  | —        | 0000       |
| IFS4      | 008C | —      | —       | CTMUIF  | —       | —      | —        | —        | LVDIF    | —     | —        | —        | —        | CRCIF   | U2ERIF   | U1ERIF   | —        | 0000       |
| IFS5      | 008E | —      | —       | —       | —       | —      | —        | —        | —        | —     | USB1IF   | —        | —        | —       | —        | —        | —        | 0000       |
| IEC0      | 0094 | —      | —       | AD1IE   | U1TXIE  | U1RXIE | SPI1IE   | SPF1IE   | T3IE     | T2IE  | OC2IE    | IC2IE    | —        | T1IE    | OC1IE    | IC1IE    | INT0IE   | 0000       |
| IEC1      | 0096 | U2TXIE | U2RXIE  | INT2IE  | T5IE    | T4IE   | OC4IE    | OC3IE    | —        | —     | —        | —        | INT1IE   | CNIE    | CMIE     | MI2C1IE  | SI2C1IE  | 0000       |
| IEC2      | 0098 | —      | —       | PMPIE   | —       | —      | —        | OC5IE    | —        | IC5IE | IC4IE    | IC3IE    | —        | —       | —        | SPI2IE   | SPF2IE   | 0000       |
| IEC3      | 009A | —      | RTCIE   | —       | —       | —      | —        | —        | —        | —     | —        | —        | —        | —       | MI2C2IE  | SI2C2IE  | —        | 0000       |
| IEC4      | 009C | —      | —       | CTMUIE  | —       | —      | —        | —        | LVDIE    | —     | —        | —        | —        | CRCIE   | U2ERIE   | U1ERIE   | —        | 0000       |
| IEC5      | 009E | —      | —       | —       | —       | —      | —        | —        | —        | —     | USB1IE   | —        | —        | —       | —        | —        | —        | 0000       |
| IPC0      | 00A4 | —      | T1IP2   | T1IP1   | T1IP0   | —      | OC1IP2   | OC1IP1   | OC1IP0   | —     | IC1IP2   | IC1IP1   | IC1IP0   | —       | INT0IP2  | INT0IP1  | INT0IP0  | 4444       |
| IPC1      | 00A6 | —      | T2IP2   | T2IP1   | T2IP0   | —      | OC2IP2   | OC2IP1   | OC2IP0   | —     | IC2IP2   | IC2IP1   | IC2IP0   | —       | —        | —        | —        | 4440       |
| IPC2      | 00A8 | —      | U1RXIP2 | U1RXIP1 | U1RXIP0 | —      | SPI1IP2  | SPI1IP1  | SPI1IP0  | —     | SPF1IP2  | SPF1IP1  | SPF1IP0  | —       | T3IP2    | T3IP1    | T3IP0    | 4444       |
| IPC3      | 00AA | —      | —       | —       | —       | —      | —        | —        | —        | —     | AD1IP2   | AD1IP1   | AD1IP0   | —       | U1TXIP2  | U1TXIP1  | U1TXIP0  | 0044       |
| IPC4      | 00AC | —      | CNIP2   | CNIP1   | CNIP0   | —      | CMIP2    | CMIP1    | CMIP0    | —     | MI2C1IP2 | MI2C1IP1 | MI2C1IP0 | —       | SI2C1IP2 | SI2C1IP1 | SI2C1IP0 | 4444       |
| IPC5      | 00AE | —      | —       | —       | —       | —      | —        | —        | —        | —     | —        | —        | —        | —       | INT1IP2  | INT1IP1  | INT1IP0  | 0004       |
| IPC6      | 00B0 | —      | T4IP2   | T4IP1   | T4IP0   | —      | OC4IP2   | OC4IP1   | OC4IP0   | —     | OC3IP2   | OC3IP1   | OC3IP0   | —       | —        | —        | —        | 4440       |
| IPC7      | 00B2 | —      | U2TXIP2 | U2TXIP1 | U2TXIP0 | —      | U2RXIP2  | U2RXIP1  | U2RXIP0  | —     | INT2IP2  | INT2IP1  | INT2IP0  | —       | T5IP2    | T5IP1    | T5IP0    | 4444       |
| IPC8      | 00B4 | —      | —       | —       | —       | —      | —        | —        | —        | —     | SPI2IP2  | SPI2IP1  | SPI2IP0  | —       | SPF2IP2  | SPF2IP1  | SPF2IP0  | 0044       |
| IPC9      | 00B6 | —      | IC5IP2  | IC5IP1  | IC5IP0  | —      | IC4IP2   | IC4IP1   | IC4IP0   | —     | IC3IP2   | IC3IP1   | IC3IP0   | —       | —        | —        | —        | 4440       |
| IPC10     | 00B8 | —      | —       | —       | —       | —      | —        | —        | —        | —     | OC5IP2   | OC5IP1   | OC5IP0   | —       | —        | —        | —        | 0040       |
| IPC11     | 00BA | —      | —       | —       | —       | —      | —        | —        | —        | —     | PMPIP2   | PMPIP1   | PMPIP0   | —       | —        | —        | —        | 0040       |
| IPC12     | 00BC | —      | —       | —       | —       | —      | MI2C2IP2 | MI2C2IP1 | MI2C2IP0 | —     | SI2C2IP2 | SI2C2IP1 | SI2C2IP0 | —       | —        | —        | —        | 0440       |
| IPC15     | 00C2 | —      | —       | —       | —       | —      | RTCIP2   | RTCIP1   | RTCIP0   | —     | —        | —        | —        | —       | —        | —        | —        | 0400       |
| IPC16     | 00C4 | —      | CRCIP2  | CRCIP1  | CRCIP0  | —      | U2ERIP2  | U2ERIP1  | U2ERIP0  | —     | U1ERIP2  | U1ERIP1  | U1ERIP0  | —       | —        | —        | —        | 4440       |
| IPC18     | 00C8 | —      | —       | —       | —       | —      | —        | —        | —        | —     | —        | —        | —        | —       | LVDIP2   | LVDIP1   | LVDIP0   | 0004       |
| IPC19     | 00CA | —      | —       | —       | —       | —      | —        | —        | —        | —     | CTMUIP2  | CTMUIP1  | CTMUIP0  | —       | —        | —        | —        | 0040       |
| IPC21     | 00CE | —      | —       | —       | —       | —      | USB1IP2  | USB1IP1  | USB1IP0  | —     | —        | —        | —        | —       | —        | —        | —        | 0400       |
| INTTREG   | 00E0 | CPUIRQ | —       | VHOLD   | —       | ILR3   | ILR2     | ILR1     | ILR0     | —     | VECNUM6  | VECNUM5  | VECNUM4  | VECNUM3 | VECNUM2  | VECNUM1  | VECNUM0  | 0000       |

**Legend:** — = unimplemented, read as '0'. Reset values are shown in hexadecimal.

**TABLE 4-6: TIMER REGISTER MAP**

| File Name | Addr | Bit 15                                                     | Bit 14 | Bit 13 | Bit 12 | Bit 11 | Bit 10 | Bit 9 | Bit 8 | Bit 7 | Bit 6 | Bit 5  | Bit 4  | Bit 3 | Bit 2 | Bit 1 | Bit 0 | All Resets |
|-----------|------|------------------------------------------------------------|--------|--------|--------|--------|--------|-------|-------|-------|-------|--------|--------|-------|-------|-------|-------|------------|
| TMR1      | 0100 | Timer1 Register                                            |        |        |        |        |        |       |       |       |       |        |        |       |       |       |       | 0000       |
| PR1       | 0102 | Timer1 Period Register                                     |        |        |        |        |        |       |       |       |       |        |        |       |       |       |       | FFFF       |
| T1CON     | 0104 | TON                                                        | —      | TSIDL  | —      | —      | —      | —     | —     | —     | TGATE | TCKPS1 | TCKPS0 | —     | TSYNC | TCS   | —     | 0000       |
| TMR2      | 0106 | Timer2 Register                                            |        |        |        |        |        |       |       |       |       |        |        |       |       |       |       | 0000       |
| TMR3HLD   | 0108 | Timer3 Holding Register (for 32-bit timer operations only) |        |        |        |        |        |       |       |       |       |        |        |       |       |       |       | 0000       |
| TMR3      | 010A | Timer3 Register                                            |        |        |        |        |        |       |       |       |       |        |        |       |       |       |       | 0000       |
| PR2       | 010C | Timer2 Period Register                                     |        |        |        |        |        |       |       |       |       |        |        |       |       |       |       | FFFF       |
| PR3       | 010E | Timer3 Period Register                                     |        |        |        |        |        |       |       |       |       |        |        |       |       |       |       | FFFF       |
| T2CON     | 0110 | TON                                                        | —      | TSIDL  | —      | —      | —      | —     | —     | —     | TGATE | TCKPS1 | TCKPS0 | T32   | —     | TCS   | —     | 0000       |
| T3CON     | 0112 | TON                                                        | —      | TSIDL  | —      | —      | —      | —     | —     | —     | TGATE | TCKPS1 | TCKPS0 | —     | —     | TCS   | —     | 0000       |
| TMR4      | 0114 | Timer4 Register                                            |        |        |        |        |        |       |       |       |       |        |        |       |       |       |       | 0000       |
| TMR5HLD   | 0116 | Timer5 Holding Register (for 32-bit operations only)       |        |        |        |        |        |       |       |       |       |        |        |       |       |       |       | 0000       |
| TMR5      | 0118 | Timer5 Register                                            |        |        |        |        |        |       |       |       |       |        |        |       |       |       |       | 0000       |
| PR4       | 011A | Timer4 Period Register                                     |        |        |        |        |        |       |       |       |       |        |        |       |       |       |       | FFFF       |
| PR5       | 011C | Timer5 Period Register                                     |        |        |        |        |        |       |       |       |       |        |        |       |       |       |       | FFFF       |
| T4CON     | 011E | TON                                                        | —      | TSIDL  | —      | —      | —      | —     | —     | —     | TGATE | TCKPS1 | TCKPS0 | T32   | —     | TCS   | —     | 0000       |
| T5CON     | 0120 | TON                                                        | —      | TSIDL  | —      | —      | —      | —     | —     | —     | TGATE | TCKPS1 | TCKPS0 | —     | —     | TCS   | —     | 0000       |

**Legend:** — = unimplemented, read as '0'. Reset values are shown in hexadecimal.

**TABLE 4-7: INPUT CAPTURE REGISTER MAP**

| File Name | Addr | Bit 15                          | Bit 14 | Bit 13 | Bit 12  | Bit 11  | Bit 10  | Bit 9 | Bit 8 | Bit 7  | Bit 6    | Bit 5 | Bit 4    | Bit 3    | Bit 2    | Bit 1    | Bit 0    | All Resets |
|-----------|------|---------------------------------|--------|--------|---------|---------|---------|-------|-------|--------|----------|-------|----------|----------|----------|----------|----------|------------|
| IC1CON1   | 0140 | —                               | —      | ICSIDL | ICTSEL2 | ICTSEL1 | ICTSEL0 | —     | —     | —      | IC1      | IC10  | ICOV     | ICBNE    | ICM2     | ICM1     | ICM0     | 0000       |
| IC1CON2   | 0142 | —                               | —      | —      | —       | —       | —       | —     | IC32  | ICTRIG | TRIGSTAT | —     | SYNCSEL4 | SYNCSEL3 | SYNCSEL2 | SYNCSEL1 | SYNCSEL0 | 000D       |
| IC1BUF    | 0144 | Input Capture 1 Buffer Register |        |        |         |         |         |       |       |        |          |       |          |          |          |          |          | 0000       |
| IC1TMR    | 0146 | Timer Value 1 Register          |        |        |         |         |         |       |       |        |          |       |          |          |          |          |          | xxxxx      |
| IC2CON1   | 0148 | —                               | —      | ICSIDL | ICTSEL2 | ICTSEL1 | ICTSEL0 | —     | —     | —      | IC1      | IC10  | ICOV     | ICBNE    | ICM2     | ICM1     | ICM0     | 0000       |
| IC2CON2   | 014A | —                               | —      | —      | —       | —       | —       | —     | IC32  | ICTRIG | TRIGSTAT | —     | SYNCSEL4 | SYNCSEL3 | SYNCSEL2 | SYNCSEL1 | SYNCSEL0 | 000D       |
| IC2BUF    | 014C | Input Capture 2 Buffer Register |        |        |         |         |         |       |       |        |          |       |          |          |          |          |          | 0000       |
| IC2TMR    | 014E | Timer Value 2 Register          |        |        |         |         |         |       |       |        |          |       |          |          |          |          |          | xxxxx      |
| IC3CON1   | 0150 | —                               | —      | ICSIDL | ICTSEL2 | ICTSEL1 | ICTSEL0 | —     | —     | —      | IC1      | IC10  | ICOV     | ICBNE    | ICM2     | ICM1     | ICM0     | 0000       |
| IC3CON2   | 0152 | —                               | —      | —      | —       | —       | —       | —     | IC32  | ICTRIG | TRIGSTAT | —     | SYNCSEL4 | SYNCSEL3 | SYNCSEL2 | SYNCSEL1 | SYNCSEL0 | 000D       |
| IC3BUF    | 0154 | Input Capture 3 Buffer Register |        |        |         |         |         |       |       |        |          |       |          |          |          |          |          | 0000       |
| IC3TMR    | 0156 | Timer Value 3 Register          |        |        |         |         |         |       |       |        |          |       |          |          |          |          |          | xxxxx      |
| IC4CON1   | 0158 | —                               | —      | ICSIDL | ICTSEL2 | ICTSEL1 | ICTSEL0 | —     | —     | —      | IC1      | IC10  | ICOV     | ICBNE    | ICM2     | ICM1     | ICM0     | 0000       |
| IC4CON2   | 015A | —                               | —      | —      | —       | —       | —       | —     | IC32  | ICTRIG | TRIGSTAT | —     | SYNCSEL4 | SYNCSEL3 | SYNCSEL2 | SYNCSEL1 | SYNCSEL0 | 000D       |
| IC4BUF    | 015C | Input Capture 4 Buffer Register |        |        |         |         |         |       |       |        |          |       |          |          |          |          |          | 0000       |
| IC4TMR    | 015E | Timer Value 4 Register          |        |        |         |         |         |       |       |        |          |       |          |          |          |          |          | xxxxx      |
| IC5CON1   | 0160 | —                               | —      | ICSIDL | ICTSEL2 | ICTSEL1 | ICTSEL0 | —     | —     | —      | IC1      | IC10  | ICOV     | ICBNE    | ICM2     | ICM1     | ICM0     | 0000       |
| IC5CON2   | 0162 | —                               | —      | —      | —       | —       | —       | —     | IC32  | ICTRIG | TRIGSTAT | —     | SYNCSEL4 | SYNCSEL3 | SYNCSEL2 | SYNCSEL1 | SYNCSEL0 | 000D       |
| IC5BUF    | 0164 | Input Capture 5 Buffer Register |        |        |         |         |         |       |       |        |          |       |          |          |          |          |          | 0000       |
| IC5TMR    | 0166 | Timer Value 5 Register          |        |        |         |         |         |       |       |        |          |       |          |          |          |          |          | xxxxx      |

**Legend:** — = unimplemented, read as '0'. Reset values are shown in hexadecimal.

TABLE 4-8: OUTPUT COMPARE REGISTER MAP

| File Name | Addr | Bit 15                              | Bit 14 | Bit 13   | Bit 12  | Bit 11  | Bit 10  | Bit 9  | Bit 8  | Bit 7  | Bit 6    | Bit 5  | Bit 4    | Bit 3    | Bit 2    | Bit 1    | Bit 0    | All Resets |
|-----------|------|-------------------------------------|--------|----------|---------|---------|---------|--------|--------|--------|----------|--------|----------|----------|----------|----------|----------|------------|
| OC1CON1   | 0190 | —                                   | —      | OCSIDL   | OCTSEL2 | OCTSEL1 | OCTSEL0 | ENFLT2 | ENFLT1 | ENFLT0 | OCFLT2   | OCFLT1 | OCFLT0   | TRIGMODE | OCM2     | OCM1     | OCM0     | 0000       |
| OC1CON2   | 0192 | FLTMD                               | FLTOUT | FLTTRIEN | OCINV   | —       | DCB1    | DCB0   | OC32   | OCTRIG | TRIGSTAT | OCTRIS | SYNCSEL4 | SYNCSEL3 | SYNCSEL2 | SYNCSEL1 | SYNCSEL0 | 000c       |
| OC1RS     | 0194 | Output Compare 1 Secondary Register |        |          |         |         |         |        |        |        |          |        |          |          |          |          |          | 0000       |
| OC1R      | 0196 | Output Compare 1 Register           |        |          |         |         |         |        |        |        |          |        |          |          |          |          |          | 0000       |
| OC1TMR    | 0198 | Timer Value 1 Register              |        |          |         |         |         |        |        |        |          |        |          |          |          |          |          | xxxx       |
| OC2CON1   | 019A | —                                   | —      | OCSIDL   | OCTSEL2 | OCTSEL1 | OCTSEL0 | ENFLT2 | ENFLT1 | ENFLT0 | OCFLT2   | OCFLT1 | OCFLT0   | TRIGMODE | OCM2     | OCM1     | OCM0     | 0000       |
| OC2CON2   | 019C | FLTMD                               | FLTOUT | FLTTRIEN | OCINV   | —       | DCB1    | DCB0   | OC32   | OCTRIG | TRIGSTAT | OCTRIS | SYNCSEL4 | SYNCSEL3 | SYNCSEL2 | SYNCSEL1 | SYNCSEL0 | 000c       |
| OC2RS     | 019E | Output Compare 2 Secondary Register |        |          |         |         |         |        |        |        |          |        |          |          |          |          |          | 0000       |
| OC2R      | 01A0 | Output Compare 2 Register           |        |          |         |         |         |        |        |        |          |        |          |          |          |          |          | 0000       |
| OC2TMR    | 01A2 | Timer Value 2 Register              |        |          |         |         |         |        |        |        |          |        |          |          |          |          |          | xxxx       |
| OC3CON1   | 01A4 | —                                   | —      | OCSIDL   | OCTSEL2 | OCTSEL1 | OCTSEL0 | ENFLT2 | ENFLT1 | ENFLT0 | OCFLT2   | OCFLT1 | OCFLT0   | TRIGMODE | OCM2     | OCM1     | OCM0     | 0000       |
| OC3CON2   | 01A6 | FLTMD                               | FLTOUT | FLTTRIEN | OCINV   | —       | DCB1    | DCB0   | OC32   | OCTRIG | TRIGSTAT | OCTRIS | SYNCSEL4 | SYNCSEL3 | SYNCSEL2 | SYNCSEL1 | SYNCSEL0 | 000c       |
| OC3RS     | 01A8 | Output Compare 3 Secondary Register |        |          |         |         |         |        |        |        |          |        |          |          |          |          |          | 0000       |
| OC3R      | 01AA | Output Compare 3 Register           |        |          |         |         |         |        |        |        |          |        |          |          |          |          |          | 0000       |
| OC3TMR    | 01AC | Timer Value 3 Register              |        |          |         |         |         |        |        |        |          |        |          |          |          |          |          | xxxx       |
| OC4CON1   | 01AE | —                                   | —      | OCSIDL   | OCTSEL2 | OCTSEL1 | OCTSEL0 | ENFLT2 | ENFLT1 | ENFLT0 | OCFLT2   | OCFLT1 | OCFLT0   | TRIGMODE | OCM2     | OCM1     | OCM0     | 0000       |
| OC4CON2   | 01B0 | FLTMD                               | FLTOUT | FLTTRIEN | OCINV   | —       | DCB1    | DCB0   | OC32   | OCTRIG | TRIGSTAT | OCTRIS | SYNCSEL4 | SYNCSEL3 | SYNCSEL2 | SYNCSEL1 | SYNCSEL0 | 000c       |
| OC4RS     | 01B2 | Output Compare 4 Secondary Register |        |          |         |         |         |        |        |        |          |        |          |          |          |          |          | 0000       |
| OC4R      | 01B4 | Output Compare 4 Register           |        |          |         |         |         |        |        |        |          |        |          |          |          |          |          | 0000       |
| OC4TMR    | 01B6 | Timer Value 4 Register              |        |          |         |         |         |        |        |        |          |        |          |          |          |          |          | xxxx       |
| OC5CON1   | 01B8 | —                                   | —      | OCSIDL   | OCTSEL2 | OCTSEL1 | OCTSEL0 | ENFLT2 | ENFLT1 | ENFLT0 | OCFLT2   | OCFLT1 | OCFLT0   | TRIGMODE | OCM2     | OCM1     | OCM0     | 0000       |
| OC5CON2   | 01BA | FLTMD                               | FLTOUT | FLTTRIEN | OCINV   | —       | DCB1    | DCB0   | OC32   | OCTRIG | TRIGSTAT | OCTRIS | SYNCSEL4 | SYNCSEL3 | SYNCSEL2 | SYNCSEL1 | SYNCSEL0 | 000c       |
| OC5RS     | 01BC | Output Compare 5 Secondary Register |        |          |         |         |         |        |        |        |          |        |          |          |          |          |          | 0000       |
| OC5R      | 01BE | Output Compare 5 Register           |        |          |         |         |         |        |        |        |          |        |          |          |          |          |          | 0000       |
| OC5TMR    | 01C0 | Timer Value 5 Register              |        |          |         |         |         |        |        |        |          |        |          |          |          |          |          | xxxx       |

Legend: — = unimplemented, read as '0'. Reset values are shown in hexadecimal.



**TABLE 4-9: I<sup>2</sup>C™ REGISTER MAP**

| File Name | Addr | Bit 15  | Bit 14 | Bit 13  | Bit 12 | Bit 11 | Bit 10 | Bit 9                 | Bit 8                        | Bit 7             | Bit 6 | Bit 5 | Bit 4 | Bit 3 | Bit 2 | Bit 1 | Bit 0 | All Resets |
|-----------|------|---------|--------|---------|--------|--------|--------|-----------------------|------------------------------|-------------------|-------|-------|-------|-------|-------|-------|-------|------------|
| I2C1RCV   | 0200 | —       | —      | —       | —      | —      | —      | —                     | —                            | Receive Register  |       |       |       |       |       |       |       | 0000       |
| I2C1TRN   | 0202 | —       | —      | —       | —      | —      | —      | —                     | —                            | Transmit Register |       |       |       |       |       |       |       | 00FF       |
| I2C1BRG   | 0204 | —       | —      | —       | —      | —      | —      | —                     | Baud Rate Generator Register |                   |       |       |       |       |       |       | 0000  |            |
| I2C1CON   | 0206 | I2CEN   | —      | I2CSIDL | SCLREL | IPMIEN | A10M   | DISSLW                | SMEN                         | GCEN              | STREN | ACKDT | ACKEN | RCEN  | PEN   | RSEN  | SEN   | 1000       |
| I2C1STAT  | 0208 | ACKSTAT | TRSTAT | —       | —      | —      | BCL    | GCSTAT                | ADD10                        | IWCOL             | I2COV | D/Ā   | P     | S     | R/W   | RBF   | TBF   | 0000       |
| I2C1ADD   | 020A | —       | —      | —       | —      | —      | —      | Address Register      |                              |                   |       |       |       |       |       | 0000  |       |            |
| I2C1MSK   | 020C | —       | —      | —       | —      | —      | —      | Address Mask Register |                              |                   |       |       |       |       |       | 0000  |       |            |
| I2C2RCV   | 0210 | —       | —      | —       | —      | —      | —      | —                     | —                            | Receive Register  |       |       |       |       |       |       |       | 0000       |
| I2C2TRN   | 0212 | —       | —      | —       | —      | —      | —      | —                     | —                            | Transmit Register |       |       |       |       |       |       |       | 00FF       |
| I2C2BRG   | 0214 | —       | —      | —       | —      | —      | —      | —                     | Baud Rate Generator Register |                   |       |       |       |       |       |       | 0000  |            |
| I2C2CON   | 0216 | I2CEN   | —      | I2CSIDL | SCLREL | IPMIEN | A10M   | DISSLW                | SMEN                         | GCEN              | STREN | ACKDT | ACKEN | RCEN  | PEN   | RSEN  | SEN   | 1000       |
| I2C2STAT  | 0218 | ACKSTAT | TRSTAT | —       | —      | —      | BCL    | GCSTAT                | ADD10                        | IWCOL             | I2COV | D/Ā   | P     | S     | R/W   | RBF   | TBF   | 0000       |
| I2C2ADD   | 021A | —       | —      | —       | —      | —      | —      | Address Register      |                              |                   |       |       |       |       |       | 0000  |       |            |
| I2C2MSK   | 021C | —       | —      | —       | —      | —      | —      | Address Mask Register |                              |                   |       |       |       |       |       | 0000  |       |            |

**Legend:** — = unimplemented, read as '0'. Reset values are shown in hexadecimal.

**TABLE 4-10: UART REGISTER MAPS**

| File Name | Addr | Bit 15                                 | Bit 14 | Bit 13   | Bit 12 | Bit 11 | Bit 10 | Bit 9 | Bit 8             | Bit 7    | Bit 6    | Bit 5 | Bit 4 | Bit 3 | Bit 2  | Bit 1  | Bit 0 | All Resets |
|-----------|------|----------------------------------------|--------|----------|--------|--------|--------|-------|-------------------|----------|----------|-------|-------|-------|--------|--------|-------|------------|
| U1MODE    | 0220 | UARTEN                                 | —      | USIDL    | IREN   | RTSMO  | —      | UEN1  | UEN0              | WAKE     | LPBACK   | ABAUD | RXINV | BRGH  | PDSEL1 | PDSEL0 | STSEL | 0000       |
| U1STA     | 0222 | UTXISEL1                               | UTXINV | UTXISEL0 | —      | UTXBRK | UTXEN  | UTXBF | TRMT              | URXISEL1 | URXISEL0 | ADDEN | RIDLE | PERR  | FERR   | OERR   | URXDA | 0110       |
| U1TXREG   | 0224 | —                                      | —      | —        | —      | —      | —      | —     | Transmit Register |          |          |       |       |       |        |        | xxxxx |            |
| U1RXREG   | 0226 | —                                      | —      | —        | —      | —      | —      | —     | Receive Register  |          |          |       |       |       |        |        | 0000  |            |
| U1BRG     | 0228 | Baud Rate Generator Prescaler Register |        |          |        |        |        |       |                   |          |          |       |       |       |        |        |       | 0000       |
| U2MODE    | 0230 | UARTEN                                 | —      | USIDL    | IREN   | RTSMO  | —      | UEN1  | UEN0              | WAKE     | LPBACK   | ABAUD | RXINV | BRGH  | PDSEL1 | PDSEL0 | STSEL | 0000       |
| U2STA     | 0232 | UTXISEL1                               | UTXINV | UTXISEL0 | —      | UTXBRK | UTXEN  | UTXBF | TRMT              | URXISEL1 | URXISEL0 | ADDEN | RIDLE | PERR  | FERR   | OERR   | URXDA | 0110       |
| U2TXREG   | 0234 | —                                      | —      | —        | —      | —      | —      | —     | Transmit Register |          |          |       |       |       |        |        | xxxxx |            |
| U2RXREG   | 0236 | —                                      | —      | —        | —      | —      | —      | —     | Receive Register  |          |          |       |       |       |        |        | 0000  |            |
| U2BRG     | 0238 | Baud Rate Generator Prescaler Register |        |          |        |        |        |       |                   |          |          |       |       |       |        |        |       | 0000       |

**Legend:** — = unimplemented, read as '0'. Reset values are shown in hexadecimal.

TABLE 4-11: SPI REGISTER MAPS

| File Name | Addr | Bit 15                      | Bit 14 | Bit 13  | Bit 12 | Bit 11 | Bit 10  | Bit 9   | Bit 8   | Bit 7 | Bit 6  | Bit 5  | Bit 4  | Bit 3  | Bit 2  | Bit 1  | Bit 0  | All Resets |
|-----------|------|-----------------------------|--------|---------|--------|--------|---------|---------|---------|-------|--------|--------|--------|--------|--------|--------|--------|------------|
| SPI1STAT  | 0240 | SPIEN                       | —      | SPISIDL | —      | —      | SPIBEC2 | SPIBEC1 | SPIBEC0 | SRMPT | SPIROV | SRXMPT | SISEL2 | SISEL1 | SISEL0 | SPITBF | SPIRBF | 0000       |
| SPI1CON1  | 0242 | —                           | —      | —       | DISSCK | DISSDO | MODE16  | SMP     | CKE     | SSEN  | CKP    | MSTEN  | SPRE2  | SPRE1  | SPRE0  | PPRE1  | PPRE0  | 0000       |
| SPI1CON2  | 0244 | FRMEN                       | SPIFSD | SPIFPOL | —      | —      | —       | —       | —       | —     | —      | —      | —      | —      | —      | SPIFE  | SPIBEN | 0000       |
| SPI1BUF   | 0248 | Transmit and Receive Buffer |        |         |        |        |         |         |         |       |        |        |        |        |        |        |        | 0000       |
| SPI2STAT  | 0260 | SPIEN                       | —      | SPISIDL | —      | —      | SPIBEC2 | SPIBEC1 | SPIBEC0 | SRMPT | SPIROV | SRXMPT | SISEL2 | SISEL1 | SISEL0 | SPITBF | SPIRBF | 0000       |
| SPI2CON1  | 0262 | —                           | —      | —       | DISSCK | DISSDO | MODE16  | SMP     | CKE     | SSEN  | CKP    | MSTEN  | SPRE2  | SPRE1  | SPRE0  | PPRE1  | PPRE0  | 0000       |
| SPI2CON2  | 0264 | FRMEN                       | SPIFSD | SPIFPOL | —      | —      | —       | —       | —       | —     | —      | —      | —      | —      | —      | SPIFE  | SPIBEN | 0000       |
| SPI2BUF   | 0268 | Transmit and Receive Buffer |        |         |        |        |         |         |         |       |        |        |        |        |        |        |        | 0000       |

Legend: — = unimplemented, read as '0'. Reset values are shown in hexadecimal.

TABLE 4-12: PORTA REGISTER MAP

| File Name | Addr | Bit 15 | Bit 14 | Bit 13 | Bit 12 | Bit 11 | Bit 10 <sup>(1)</sup> | Bit 9 <sup>(1)</sup> | Bit 8 <sup>(1)</sup> | Bit 7 <sup>(1)</sup> | Bit 6 | Bit 5 | Bit 4  | Bit 3  | Bit 2  | Bit 1  | Bit 0  | All Resets |
|-----------|------|--------|--------|--------|--------|--------|-----------------------|----------------------|----------------------|----------------------|-------|-------|--------|--------|--------|--------|--------|------------|
| TRISA     | 02C0 | —      | —      | —      | —      | —      | TRISA10               | TRISA9               | TRISA8               | TRISA7               | —     | —     | TRISA4 | TRISA3 | TRISA2 | TRISA1 | TRISA0 | 079F       |
| PORTA     | 02C2 | —      | —      | —      | —      | —      | RA10                  | RA9                  | RA8                  | RA7                  | —     | —     | RA4    | RA3    | RA2    | RA1    | RA0    | xxxx       |
| LATA      | 02C4 | —      | —      | —      | —      | —      | LATA10                | LATA9                | LATA8                | LATA7                | —     | —     | LATA4  | LATA3  | LATA2  | LATA1  | LATA0  | xxxx       |
| ODCA      | 02C6 | —      | —      | —      | —      | —      | ODA10                 | ODA9                 | ODA8                 | ODA7                 | —     | —     | ODA4   | ODA3   | ODA2   | ODA1   | ODA0   | 0000       |

Legend: — = unimplemented, read as '0'. Reset values are shown in hexadecimal. Reset values shown are for 44-pin devices.

Note 1: Bits are unimplemented in 28-pin devices; read as '0'.

TABLE 4-13: PORTB REGISTER MAP

| File Name | Addr | Bit 15  | Bit 14  | Bit 13  | Bit 12 | Bit 11  | Bit 10  | Bit 9  | Bit 8  | Bit 7  | Bit 6 | Bit 5  | Bit 4  | Bit 3  | Bit 2  | Bit 1  | Bit 0  | All Resets |
|-----------|------|---------|---------|---------|--------|---------|---------|--------|--------|--------|-------|--------|--------|--------|--------|--------|--------|------------|
| TRISB     | 02C8 | TRISB15 | TRISB14 | TRISB13 | —      | TRISB11 | TRISB10 | TRISB9 | TRISB8 | TRISB7 | —     | TRISB5 | TRISB4 | TRISB3 | TRISB2 | TRISB1 | TRISB0 | EFBF       |
| PORTB     | 02CA | RB15    | RB14    | RB13    | —      | RB11    | RB10    | RB9    | RB8    | RB7    | —     | RB5    | RB4    | RB3    | RB2    | RB1    | RB0    | xxxx       |
| LATB      | 02CC | LATB15  | LATB14  | LATB13  | —      | LATB11  | LATB10  | LATB9  | LATB8  | LATB7  | —     | LATB5  | LATB4  | LATB3  | LATB2  | LATB1  | LATB0  | xxxx       |
| ODCB      | 02CE | ODB15   | ODB14   | ODB13   | —      | ODB11   | ODB10   | ODB9   | ODB8   | ODB7   | —     | ODB5   | ODB4   | ODB3   | ODB2   | ODB1   | ODB0   | 0000       |

Legend: — = unimplemented, read as '0'. Reset values are shown in hexadecimal.

TABLE 4-14: PORTC REGISTER MAP

| File Name | Addr | Bit 15 | Bit 14 | Bit 13 | Bit 12 | Bit 11 | Bit 10 | Bit 9 <sup>(1)</sup> | Bit 8 <sup>(1)</sup> | Bit 7 <sup>(1)</sup> | Bit 6 <sup>(1)</sup> | Bit 5 <sup>(1)</sup> | Bit 4 <sup>(1)</sup> | Bit 3 <sup>(1)</sup> | Bit 2 <sup>(1)</sup> | Bit 1 <sup>(2(1))</sup> | Bit 0 <sup>(1)</sup> | All Resets |
|-----------|------|--------|--------|--------|--------|--------|--------|----------------------|----------------------|----------------------|----------------------|----------------------|----------------------|----------------------|----------------------|-------------------------|----------------------|------------|
| TRISC     | 02D0 | —      | —      | —      | —      | —      | —      | TRISC9               | TRISC8               | TRISC7               | TRISC6               | TRISC5               | TRISC4               | TRISC3               | TRISC2               | TRISC1                  | TRISC0               | 03FF       |
| PORTC     | 02D2 | —      | —      | —      | —      | —      | —      | RC9                  | RC8                  | RC7                  | RC6                  | RC5                  | RC4                  | RC3                  | RC2                  | RC1                     | RC0                  | xxxx       |
| LATC      | 02D4 | —      | —      | —      | —      | —      | —      | LATC9                | LATC8                | LATC7                | LATC6                | LATC5                | LATC4                | LATC3                | LATC2                | LATC1                   | LATC0                | xxxx       |
| ODCC      | 02D6 | —      | —      | —      | —      | —      | —      | ODC9                 | ODC8                 | ODC7                 | ODC6                 | ODC5                 | ODC4                 | ODC3                 | ODC2                 | ODC1                    | ODC0                 | 0000       |

Legend: — = unimplemented, read as '0'. Reset values are shown in hexadecimal. Reset values shown are for 44-pin devices.

Note 1: Bits are unimplemented in 28-pin devices; read as '0'.

**TABLE 4-15: PAD CONFIGURATION REGISTER MAP**

| File Name | Addr | Bit 15 | Bit 14 | Bit 13 | Bit 12 | Bit 11 | Bit 10 | Bit 9 | Bit 8 | Bit 7 | Bit 6 | Bit 5 | Bit 4 | Bit 3 | Bit 2    | Bit 1    | Bit 0  | All Resets |
|-----------|------|--------|--------|--------|--------|--------|--------|-------|-------|-------|-------|-------|-------|-------|----------|----------|--------|------------|
| PADCFG1   | 02FC | —      | —      | —      | —      | —      | —      | —     | —     | —     | —     | —     | —     | —     | RTSESEL1 | RTSESEL0 | PMPTTL | 0000       |

**Legend:** — = unimplemented, read as '0'. Reset values are shown in hexadecimal.

**TABLE 4-16: ADC REGISTER MAP**

| File Name | Addr | Bit 15             | Bit 14 | Bit 13 | Bit 12                | Bit 11 | Bit 10 | Bit 9  | Bit 8                | Bit 7                | Bit 6                | Bit 5 | Bit 4  | Bit 3  | Bit 2  | Bit 1  | Bit 0  | All Resets |
|-----------|------|--------------------|--------|--------|-----------------------|--------|--------|--------|----------------------|----------------------|----------------------|-------|--------|--------|--------|--------|--------|------------|
| ADC1BUF0  | 0300 | ADC Data Buffer 0  |        |        |                       |        |        |        |                      |                      |                      |       |        |        |        |        |        | xxxx       |
| ADC1BUF1  | 0302 | ADC Data Buffer 1  |        |        |                       |        |        |        |                      |                      |                      |       |        |        |        |        |        | xxxx       |
| ADC1BUF2  | 0304 | ADC Data Buffer 2  |        |        |                       |        |        |        |                      |                      |                      |       |        |        |        |        |        | xxxx       |
| ADC1BUF3  | 0306 | ADC Data Buffer 3  |        |        |                       |        |        |        |                      |                      |                      |       |        |        |        |        |        | xxxx       |
| ADC1BUF4  | 0308 | ADC Data Buffer 4  |        |        |                       |        |        |        |                      |                      |                      |       |        |        |        |        |        | xxxx       |
| ADC1BUF5  | 030A | ADC Data Buffer 5  |        |        |                       |        |        |        |                      |                      |                      |       |        |        |        |        |        | xxxx       |
| ADC1BUF6  | 030C | ADC Data Buffer 6  |        |        |                       |        |        |        |                      |                      |                      |       |        |        |        |        |        | xxxx       |
| ADC1BUF7  | 030E | ADC Data Buffer 7  |        |        |                       |        |        |        |                      |                      |                      |       |        |        |        |        |        | xxxx       |
| ADC1BUF8  | 0310 | ADC Data Buffer 8  |        |        |                       |        |        |        |                      |                      |                      |       |        |        |        |        |        | xxxx       |
| ADC1BUF9  | 0312 | ADC Data Buffer 9  |        |        |                       |        |        |        |                      |                      |                      |       |        |        |        |        |        | xxxx       |
| ADC1BUFA  | 0314 | ADC Data Buffer 10 |        |        |                       |        |        |        |                      |                      |                      |       |        |        |        |        |        | xxxx       |
| ADC1BUFB  | 0316 | ADC Data Buffer 11 |        |        |                       |        |        |        |                      |                      |                      |       |        |        |        |        |        | xxxx       |
| ADC1BUFC  | 0318 | ADC Data Buffer 12 |        |        |                       |        |        |        |                      |                      |                      |       |        |        |        |        |        | xxxx       |
| ADC1BUFD  | 031A | ADC Data Buffer 13 |        |        |                       |        |        |        |                      |                      |                      |       |        |        |        |        |        | xxxx       |
| ADC1BUFE  | 031C | ADC Data Buffer 14 |        |        |                       |        |        |        |                      |                      |                      |       |        |        |        |        |        | xxxx       |
| ADC1BUFF  | 031E | ADC Data Buffer 15 |        |        |                       |        |        |        |                      |                      |                      |       |        |        |        |        |        | xxxx       |
| AD1CON1   | 0320 | ADON               | —      | ADSIDL | —                     | —      | —      | FORM1  | FORM0                | SSRC2                | SSRC1                | SSRC0 | —      | —      | ASAM   | SAMP   | DONE   | 0000       |
| AD1CON2   | 0322 | VCFG2              | VCFG1  | VCFG0  | r                     | —      | CSCNA  | —      | —                    | BUF5                 | —                    | SMP13 | SMP12  | SMP11  | SMP10  | BUFM   | ALTS   | 0000       |
| AD1CON3   | 0324 | ADRC               | r      | r      | SAMC4                 | SAMC3  | SAMC2  | SAMC1  | SAMC0                | ADCS7                | ADCS6                | ADCS5 | ADCS4  | ADCS3  | ADCS2  | ADCS1  | ADCS0  | 0000       |
| AD1CHS    | 0328 | CH0NB              | —      | —      | CH0SB4                | CH0SB3 | CH0SB2 | CH0SB1 | CH0SB0               | CH0NA                | —                    | —     | CH0SA4 | CH0SA3 | CH0SA2 | CH0SA1 | CH0SA0 | 0000       |
| AD1PCFG   | 032C | PCFG15             | PCFG14 | PCFG13 | PCFG12 <sup>(1)</sup> | PCFG11 | PCFG10 | PCFG9  | PCFG8 <sup>(1)</sup> | PCFG7 <sup>(1)</sup> | PCFG6 <sup>(1)</sup> | PCFG5 | PCFG4  | PCFG3  | PCFG2  | PCFG1  | PCFG0  | 0000       |
| AD1CSSL   | 0330 | CSSL15             | CSSL14 | CSSL13 | CSSL12 <sup>(1)</sup> | CSSL11 | CSSL10 | CSSL9  | CSSL8 <sup>(1)</sup> | CSSL7 <sup>(1)</sup> | CSSL6 <sup>(1)</sup> | CSSL5 | CSSL4  | CSSL3  | CSSL2  | CSSL1  | CSSL0  | 0000       |

**Legend:** — = unimplemented, read as '0'; r = reserved, maintain as '0'. Reset values are shown in hexadecimal.

**Note 1:** Bits are not available on 28-pin devices; read as '0'.

**TABLE 4-17: CTMU REGISTER MAP**

| File Name | Addr | Bit 15 | Bit 14 | Bit 13   | Bit 12 | Bit 11 | Bit 10   | Bit 9   | Bit 8  | Bit 7   | Bit 6    | Bit 5    | Bit 4   | Bit 3    | Bit 2    | Bit 1    | Bit 0    | All Resets |
|-----------|------|--------|--------|----------|--------|--------|----------|---------|--------|---------|----------|----------|---------|----------|----------|----------|----------|------------|
| CTMUCON   | 033C | CTMUEN | —      | CTMUSIDL | TGEN   | EDGEN  | EDGSEQEN | IDISSEN | CTTRIG | EDG2POL | EDG2SEL1 | EDG2SEL0 | EDG1POL | EDG1SEL1 | EDG1SEL0 | EDG2STAT | EDG1STAT | 0000       |
| CTMUICON  | 033E | ITRIM5 | ITRIM4 | ITRIM3   | ITRIM2 | ITRIM1 | ITRIM0   | IRNG1   | IRNG0  | —       | —        | —        | —       | —        | —        | —        | —        | 0000       |

**Legend:** — = unimplemented, read as '0'. Reset values are shown in hexadecimal.

TABLE 4-18: USB OTG REGISTER MAP

| File Name            | Addr                | Bit 15 | Bit 14 | Bit 13 | Bit 12 | Bit 11 | Bit 10 | Bit 9 | Bit 8 | Bit 7                                         | Bit 6                                 | Bit 5    | Bit 4                  | Bit 3    | Bit 2    | Bit 1                | Bit 0                   | All Resets           |
|----------------------|---------------------|--------|--------|--------|--------|--------|--------|-------|-------|-----------------------------------------------|---------------------------------------|----------|------------------------|----------|----------|----------------------|-------------------------|----------------------|
| U1OTGIR              | 0480                | —      | —      | —      | —      | —      | —      | —     | —     | IDIF                                          | T1MSECIF                              | LSTATEIF | ACTVIF                 | SESVIF   | SESENDIF | —                    | VBUSVDIF                | 0000                 |
| U1OTGIE              | 0482                | —      | —      | —      | —      | —      | —      | —     | —     | IDIE                                          | T1MSECIE                              | LSTATEIE | ACTVIE                 | SESVIE   | SESENDIE | —                    | VBUSVDIE                | 0000                 |
| U1OTGSTAT            | 0484                | —      | —      | —      | —      | —      | —      | —     | —     | ID                                            | —                                     | LSTATE   | —                      | SESV     | SESEND   | —                    | VBUSVD                  | 0000                 |
| U1OTGCON             | 0486                | —      | —      | —      | —      | —      | —      | —     | —     | DPPULUP                                       | DMPULUP                               | DPPULDWN | DMPULDWN               | VBUSON   | OTGEN    | VBUSCHG              | VBUSDIS                 | 0000                 |
| U1PWRC               | 0488                | —      | —      | —      | —      | —      | —      | —     | —     | UACTPND                                       | —                                     | —        | USLPGRD                | —        | —        | USUSPND              | USBPWR                  | 0000                 |
| U1IR                 | 048A <sup>(1)</sup> | —      | —      | —      | —      | —      | —      | —     | —     | STALLIF                                       | —                                     | RESUMEIF | IDLEIF                 | TRNIF    | SOFIF    | UERRIF               | URSTIF                  | 0000                 |
|                      |                     | —      | —      | —      | —      | —      | —      | —     | —     | STALLIF                                       | ATTACHIF <sup>(1)</sup>               | RESUMEIF | IDLEIF                 | TRNIF    | SOFIF    | UERRIF               | DETACHIF <sup>(1)</sup> | 0000                 |
| U1IE                 | 048C <sup>(1)</sup> | —      | —      | —      | —      | —      | —      | —     | —     | STALLIE                                       | —                                     | RESUMEIE | IDLEIE                 | TRNIE    | SOFIE    | UERRIE               | URSTIE                  | 0000                 |
|                      |                     | —      | —      | —      | —      | —      | —      | —     | —     | STALLIE                                       | ATTACHIE <sup>(1)</sup>               | RESUMEIE | IDLEIE                 | TRNIE    | SOFIE    | UERRIE               | DETACHIE <sup>(1)</sup> | 0000                 |
| U1EIR                | 048E <sup>(1)</sup> | —      | —      | —      | —      | —      | —      | —     | —     | BTSEF                                         | —                                     | DMAEF    | BTOEF                  | DFN8EF   | CRC16EF  | CRC5EF               | PIDEF                   | 0000                 |
|                      |                     | —      | —      | —      | —      | —      | —      | —     | —     | BTSEF                                         | —                                     | DMAEF    | BTOEF                  | DFN8EF   | CRC16EF  | EOFEE <sup>(1)</sup> | PIDEF                   | 0000                 |
| U1EIE                | 0490 <sup>(1)</sup> | —      | —      | —      | —      | —      | —      | —     | —     | BTSEE                                         | —                                     | DMAEE    | BTOEE                  | DFN8EE   | CRC16EE  | CRC5EE               | PIDEE                   | 0000                 |
|                      |                     | —      | —      | —      | —      | —      | —      | —     | —     | BTSEE                                         | —                                     | DMAEE    | BTOEE                  | DFN8EE   | CRC16EE  | EOFEE <sup>(1)</sup> | PIDEE                   | 0000                 |
| U1STAT               | 0492                | —      | —      | —      | —      | —      | —      | —     | —     | ENDPT3                                        | ENDPT2                                | ENDPT1   | ENDPT0                 | DIR      | PPBI     | —                    | —                       | 0000                 |
| U1CON                | 0494 <sup>(1)</sup> | —      | —      | —      | —      | —      | —      | —     | —     | —                                             | SE0                                   | PKTDIS   | —                      | HOSTEN   | RESUME   | PPBRST               | USBEN                   | 0000                 |
|                      |                     | —      | —      | —      | —      | —      | —      | —     | —     | —                                             | JSTATE <sup>(1)</sup>                 | SE0      | TOKBUSY <sup>(1)</sup> | USBRST   | HOSTEN   | RESUME               | PPBRST                  | SOFEN <sup>(1)</sup> |
| U1ADDR               | 0496                | —      | —      | —      | —      | —      | —      | —     | —     | LSPDEN <sup>(1)</sup>                         | USB Device Address (DEVADDR) Register |          |                        |          |          |                      |                         | 0000                 |
| U1BDTP1              | 0498                | —      | —      | —      | —      | —      | —      | —     | —     | Buffer Descriptor Table Base Address Register |                                       |          |                        |          |          |                      | —                       | 0000                 |
| U1FRML               | 049A                | —      | —      | —      | —      | —      | —      | —     | —     | Frame Count Register Low Byte                 |                                       |          |                        |          |          |                      |                         | 0000                 |
| U1FRMH               | 049C                | —      | —      | —      | —      | —      | —      | —     | —     | Frame Count Register High Byte                |                                       |          |                        |          |          |                      |                         | 0000                 |
| U1TOK <sup>(2)</sup> | 049E                | —      | —      | —      | —      | —      | —      | —     | —     | PID3                                          | PID2                                  | PID1     | PID0                   | EP3      | EP2      | EP1                  | EP0                     | 0000                 |
| U1SOF <sup>(2)</sup> | 04A0                | —      | —      | —      | —      | —      | —      | —     | —     | Start-of-Frame Count Register                 |                                       |          |                        |          |          |                      |                         | 0000                 |
| U1CNFG1              | 04A6                | —      | —      | —      | —      | —      | —      | —     | —     | UTEYE                                         | UOEMON                                | —        | USBSIDL                | —        | —        | PPB1                 | PPB0                    | 0000                 |
| U1CNFG2              | 04A8                | —      | —      | —      | —      | —      | —      | —     | —     | —                                             | —                                     | UVCMPSEL | PUVBUS                 | EXTI2CEN | UVBUSDIS | UVCMPDIS             | UTRDIS                  | 0000                 |

**Legend:** — = unimplemented, read as '0'. Reset values are shown in hexadecimal.  
**Note 1:** Alternate register or bit definitions when the module is operating in Host mode.  
**Note 2:** This register is available in Host mode only.

**TABLE 4-18: USB OTG REGISTER MAP (CONTINUED)**

| File Name | Addr | Bit 15                                   | Bit 14 | Bit 13 | Bit 12 | Bit 11 | Bit 10 | Bit 9  | Bit 8 | Bit 7               | Bit 6                                | Bit 5 | Bit 4    | Bit 3  | Bit 2  | Bit 1   | Bit 0  | All Resets |
|-----------|------|------------------------------------------|--------|--------|--------|--------|--------|--------|-------|---------------------|--------------------------------------|-------|----------|--------|--------|---------|--------|------------|
| U1EP0     | 04AA | —                                        | —      | —      | —      | —      | —      | —      | —     | LSPD <sup>(1)</sup> | RETRYDIS <sup>(1)</sup>              | —     | EPCONDIS | EPRXEN | EPTXEN | EPSTALL | EPHSHK | 0000       |
| U1EP1     | 04AC | —                                        | —      | —      | —      | —      | —      | —      | —     | —                   | —                                    | —     | EPCONDIS | EPRXEN | EPTXEN | EPSTALL | EPHSHK | 0000       |
| U1EP2     | 04AE | —                                        | —      | —      | —      | —      | —      | —      | —     | —                   | —                                    | —     | EPCONDIS | EPRXEN | EPTXEN | EPSTALL | EPHSHK | 0000       |
| U1EP3     | 04B0 | —                                        | —      | —      | —      | —      | —      | —      | —     | —                   | —                                    | —     | EPCONDIS | EPRXEN | EPTXEN | EPSTALL | EPHSHK | 0000       |
| U1EP4     | 04B2 | —                                        | —      | —      | —      | —      | —      | —      | —     | —                   | —                                    | —     | EPCONDIS | EPRXEN | EPTXEN | EPSTALL | EPHSHK | 0000       |
| U1EP5     | 04B4 | —                                        | —      | —      | —      | —      | —      | —      | —     | —                   | —                                    | —     | EPCONDIS | EPRXEN | EPTXEN | EPSTALL | EPHSHK | 0000       |
| U1EP6     | 04B6 | —                                        | —      | —      | —      | —      | —      | —      | —     | —                   | —                                    | —     | EPCONDIS | EPRXEN | EPTXEN | EPSTALL | EPHSHK | 0000       |
| U1EP7     | 04B8 | —                                        | —      | —      | —      | —      | —      | —      | —     | —                   | —                                    | —     | EPCONDIS | EPRXEN | EPTXEN | EPSTALL | EPHSHK | 0000       |
| U1EP8     | 04BA | —                                        | —      | —      | —      | —      | —      | —      | —     | —                   | —                                    | —     | EPCONDIS | EPRXEN | EPTXEN | EPSTALL | EPHSHK | 0000       |
| U1EP9     | 04BC | —                                        | —      | —      | —      | —      | —      | —      | —     | —                   | —                                    | —     | EPCONDIS | EPRXEN | EPTXEN | EPSTALL | EPHSHK | 0000       |
| U1EP10    | 04BE | —                                        | —      | —      | —      | —      | —      | —      | —     | —                   | —                                    | —     | EPCONDIS | EPRXEN | EPTXEN | EPSTALL | EPHSHK | 0000       |
| U1EP11    | 04C0 | —                                        | —      | —      | —      | —      | —      | —      | —     | —                   | —                                    | —     | EPCONDIS | EPRXEN | EPTXEN | EPSTALL | EPHSHK | 0000       |
| U1EP12    | 04C2 | —                                        | —      | —      | —      | —      | —      | —      | —     | —                   | —                                    | —     | EPCONDIS | EPRXEN | EPTXEN | EPSTALL | EPHSHK | 0000       |
| U1EP13    | 04C4 | —                                        | —      | —      | —      | —      | —      | —      | —     | —                   | —                                    | —     | EPCONDIS | EPRXEN | EPTXEN | EPSTALL | EPHSHK | 0000       |
| U1EP14    | 04C6 | —                                        | —      | —      | —      | —      | —      | —      | —     | —                   | —                                    | —     | EPCONDIS | EPRXEN | EPTXEN | EPSTALL | EPHSHK | 0000       |
| U1EP15    | 04C8 | —                                        | —      | —      | —      | —      | —      | —      | —     | —                   | —                                    | —     | EPCONDIS | EPRXEN | EPTXEN | EPSTALL | EPHSHK | 0000       |
| U1PWMRRS  | 04CC | USB Power Supply PWM Duty Cycle Register |        |        |        |        |        |        |       |                     | USB Power Supply PWM Period Register |       |          |        |        |         |        | 0000       |
| U1PWMCON  | 04CE | PWMEN                                    | —      | —      | —      | —      | —      | PWMPOL | CNTEN | —                   | —                                    | —     | —        | —      | —      | —       | —      | 0000       |

**Legend:** — = unimplemented, read as '0'. Reset values are shown in hexadecimal.

**Note 1:** Alternate register or bit definitions when the module is operating in Host mode.

**2:** This register is available in Host mode only.

**TABLE 4-19: PARALLEL MASTER/SLAVE PORT REGISTER MAP**

| File Name | Addr | Bit 15                                              | Bit 14 | Bit 13 | Bit 12  | Bit 11  | Bit 10                | Bit 9                | Bit 8                | Bit 7                | Bit 6                | Bit 5                | Bit 4                | Bit 3                | Bit 2                | Bit 1  | Bit 0  | All Resets |
|-----------|------|-----------------------------------------------------|--------|--------|---------|---------|-----------------------|----------------------|----------------------|----------------------|----------------------|----------------------|----------------------|----------------------|----------------------|--------|--------|------------|
| PMCON     | 0600 | PMPEN                                               | —      | PSIDL  | ADRMUX1 | ADRMUX0 | PTBEEN                | PTWREN               | PTRDEN               | CSF1                 | CSF0                 | ALP                  | —                    | CS1P                 | BEP                  | WRSP   | RDSP   | 0000       |
| PMMODE    | 0602 | BUSY                                                | IRQM1  | IRQM0  | INCM1   | INCM0   | MODE16                | MODE1                | MODE0                | WAITB1               | WAITB0               | WAITM3               | WAITM2               | WAITM1               | WAITM0               | WAITE1 | WAITE0 | 0000       |
| PMADDR    | 0604 | —                                                   | CS1    | —      | —       | —       | ADDR10 <sup>(1)</sup> | ADDR9 <sup>(1)</sup> | ADDR8 <sup>(1)</sup> | ADDR7 <sup>(1)</sup> | ADDR6 <sup>(1)</sup> | ADDR5 <sup>(1)</sup> | ADDR4 <sup>(1)</sup> | ADDR3 <sup>(1)</sup> | ADDR2 <sup>(1)</sup> | ADDR1  | ADDR0  | 0000       |
| PMDOUT1   |      | Parallel Port Data Out Register 1 (Buffers 0 and 1) |        |        |         |         |                       |                      |                      |                      |                      |                      |                      |                      |                      |        |        | 0000       |
| PMDOUT2   | 0606 | Parallel Port Data Out Register 2 (Buffers 2 and 3) |        |        |         |         |                       |                      |                      |                      |                      |                      |                      |                      |                      |        |        | 0000       |
| PMDIN1    | 0608 | Parallel Port Data In Register 1 (Buffers 0 and 1)  |        |        |         |         |                       |                      |                      |                      |                      |                      |                      |                      |                      |        |        | 0000       |
| PMDIN2    | 060A | Parallel Port Data In Register 2 (Buffers 2 and 3)  |        |        |         |         |                       |                      |                      |                      |                      |                      |                      |                      |                      |        |        | 0000       |
| PMAEN     | 060C | —                                                   | PTEN14 | —      | —       | —       | PTEN10 <sup>(1)</sup> | PTEN9 <sup>(1)</sup> | PTEN8 <sup>(1)</sup> | PTEN7 <sup>(1)</sup> | PTEN6 <sup>(1)</sup> | PTEN5 <sup>(1)</sup> | PTEN4 <sup>(1)</sup> | PTEN3 <sup>(1)</sup> | PTEN2 <sup>(1)</sup> | PTEN1  | PTEN0  | 0000       |
| PMSTAT    | 060E | IBF                                                 | IBOV   | —      | —       | IB3F    | IB2F                  | IB1F                 | IB0F                 | OBE                  | OBUF                 | —                    | —                    | OB3E                 | OB2E                 | OB1E   | OB0E   | 0000       |

**Legend:** — = unimplemented, read as '0'. Reset values are shown in hexadecimal.

**Note 1:** Bits are not available on 28-pin devices; read as '0'.

**TABLE 4-20: REAL-TIME CLOCK AND CALENDAR REGISTER MAP**

| File Name | Addr | Bit 15                                            | Bit 14 | Bit 13  | Bit 12  | Bit 11  | Bit 10 | Bit 9    | Bit 8    | Bit 7 | Bit 6 | Bit 5 | Bit 4 | Bit 3 | Bit 2 | Bit 1 | Bit 0 | All Resets |
|-----------|------|---------------------------------------------------|--------|---------|---------|---------|--------|----------|----------|-------|-------|-------|-------|-------|-------|-------|-------|------------|
| ALRMVAL   | 0620 | Alarm Value Register Window Based on ALRMPTR<1:0> |        |         |         |         |        |          |          |       |       |       |       |       |       |       |       | xxxx       |
| ALCFGRPT  | 0622 | ALRMEN                                            | CHIME  | AMASK3  | AMASK2  | AMASK1  | AMASK0 | ALRMPTR1 | ALRMPTR0 | ARPT7 | ARPT6 | ARPT5 | ARPT4 | ARPT3 | ARPT2 | ARPT1 | ARPT0 | 0000       |
| RTCVAL    | 0624 | RTCC Value Register Window Based on RTCPTR<1:0>   |        |         |         |         |        |          |          |       |       |       |       |       |       |       |       | xxxx       |
| RCFGCAL   | 0626 | RTCEN                                             | —      | RTCWREN | RTCSYNC | HALFSEC | RTCOE  | RTCPT1   | RTCPT0   | CAL7  | CAL6  | CAL5  | CAL4  | CAL3  | CAL2  | CAL1  | CAL0  | xxxx       |

**Legend:** — = unimplemented, read as '0'. Reset values are shown in hexadecimal.

**TABLE 4-21: CRC REGISTER MAP**

| File Name | Addr | Bit 15                            | Bit 14 | Bit 13 | Bit 12  | Bit 11  | Bit 10  | Bit 9   | Bit 8   | Bit 7  | Bit 6  | Bit 5   | Bit 4 | Bit 3   | Bit 2 | Bit 1 | Bit 0 | All Resets |
|-----------|------|-----------------------------------|--------|--------|---------|---------|---------|---------|---------|--------|--------|---------|-------|---------|-------|-------|-------|------------|
| CRCCON1   | 0640 | CRCEN                             | —      | CSIDL  | VWORD4  | VWORD3  | VWORD2  | VWORD1  | VWORD0  | CRCFUL | CRCMPT | CRCISEL | CRCGO | LENDIAN | —     | —     | —     | 0000       |
| CRCCON2   | 0642 | —                                 | —      | —      | DWIDTH4 | DWIDTH3 | DWIDTH2 | DWIDTH1 | DWIDTH0 | —      | —      | —       | PLEN4 | PLEN3   | PLEN2 | PLEN1 | PLEN0 | 0000       |
| CRCXORL   | 0644 | X15                               | X14    | X13    | X12     | X11     | X10     | X9      | X8      | X7     | X6     | X5      | X4    | X3      | X2    | X1    | —     | 0000       |
| CRCXORH   | 0646 | X31                               | X30    | X29    | X28     | X27     | X26     | X25     | X24     | X23    | X22    | X21     | X20   | X19     | X18   | X17   | X16   | 0000       |
| CRCDATL   | 0648 | CRC Data Input Register Low Word  |        |        |         |         |         |         |         |        |        |         |       |         |       |       |       | xxxx       |
| CRCDATH   | 064A | CRC Data Input Register High Word |        |        |         |         |         |         |         |        |        |         |       |         |       |       |       | xxxx       |
| CRCWDATL  | 064C | CRC Result Register Low Word      |        |        |         |         |         |         |         |        |        |         |       |         |       |       |       | xxxx       |
| CRCWDATH  | 064E | CRC Result Register High Word     |        |        |         |         |         |         |         |        |        |         |       |         |       |       |       | xxxx       |

**Legend:** — = unimplemented, read as '0'. Reset values are shown in hexadecimal.

**TABLE 4-22: COMPARATORS REGISTER MAP**

| File Name | Addr | Bit 15 | Bit 14 | Bit 13 | Bit 12 | Bit 11 | Bit 10 | Bit 9   | Bit 8   | Bit 7  | Bit 6  | Bit 5 | Bit 4 | Bit 3 | Bit 2 | Bit 1 | Bit 0 | All Resets |
|-----------|------|--------|--------|--------|--------|--------|--------|---------|---------|--------|--------|-------|-------|-------|-------|-------|-------|------------|
| CMSTAT    | 0650 | CMIDL  | —      | —      | —      | —      | C3EVT  | C2EVT   | C1EVT   | —      | —      | —     | —     | —     | C3OUT | C2OUT | C1OUT | 0000       |
| CVRCON    | 0652 | —      | —      | —      | —      | —      | CVREFP | CVREFM1 | CVREFM0 | CVREN  | CVROE  | CVRR  | CVRSS | CVR3  | CVR2  | CVR1  | CVR0  | 0000       |
| CM1CON    | 0654 | CEN    | COE    | CPOL   | —      | —      | —      | CEVT    | COU     | EVPOL1 | EVPOL0 | —     | CREF  | —     | —     | CCH1  | CCH0  | 0000       |
| CM2CON    | 065C | CEN    | COE    | CPOL   | —      | —      | —      | CEVT    | COU     | EVPOL1 | EVPOL0 | —     | CREF  | —     | —     | CCH1  | CCH0  | 0000       |
| CM3CON    | 0664 | CEN    | COE    | CPOL   | —      | —      | —      | CEVT    | COU     | EVPOL1 | EVPOL0 | —     | CREF  | —     | —     | CCH1  | CCH0  | 0000       |

**Legend:** — = unimplemented, read as '0'. Reset values are shown in hexadecimal.

**TABLE 4-23: PERIPHERAL PIN SELECT REGISTER MAP**

| File Name             | Addr | Bit 15 | Bit 14 | Bit 13 | Bit 12  | Bit 11  | Bit 10  | Bit 9   | Bit 8   | Bit 7 | Bit 6 | Bit 5 | Bit 4  | Bit 3  | Bit 2  | Bit 1  | Bit 0  | All Resets |
|-----------------------|------|--------|--------|--------|---------|---------|---------|---------|---------|-------|-------|-------|--------|--------|--------|--------|--------|------------|
| RPINR0                | 0680 | —      | —      | —      | INT1R4  | INT1R3  | INT1R2  | INT1R1  | INT1R0  | —     | —     | —     | —      | —      | —      | —      | —      | 1F00       |
| RPINR1                | 0682 | —      | —      | —      | —       | —       | —       | —       | —       | —     | —     | —     | INT2R4 | INT2R3 | INT2R2 | INT2R1 | INT2R0 | 001F       |
| RPINR3                | 0686 | —      | —      | —      | T3CKR4  | T3CKR3  | T3CKR2  | T3CKR1  | T3CKR0  | —     | —     | —     | T2CKR4 | T2CKR3 | T2CKR2 | T2CKR1 | T2CKR0 | 1F1F       |
| RPINR4                | 0688 | —      | —      | —      | T5CKR4  | T5CKR3  | T5CKR2  | T5CKR1  | T5CKR0  | —     | —     | —     | T4CKR4 | T4CKR3 | T4CKR2 | T4CKR1 | T4CKR0 | 1F1F       |
| RPINR7                | 068E | —      | —      | —      | IC2R4   | IC2R3   | IC2R2   | IC2R1   | IC2R0   | —     | —     | —     | IC1R4  | IC1R3  | IC1R2  | IC1R1  | IC1R0  | 1F1F       |
| RPINR8                | 0690 | —      | —      | —      | IC4R4   | IC4R3   | IC4R2   | IC4R1   | IC4R0   | —     | —     | —     | IC3R4  | IC3R3  | IC3R2  | IC3R1  | IC3R0  | 1F1F       |
| RPINR9                | 0692 | —      | —      | —      | —       | —       | —       | —       | —       | —     | —     | —     | IC5R4  | IC5R3  | IC5R2  | IC5R1  | IC5R0  | 001F       |
| RPINR11               | 0696 | —      | —      | —      | OCFBR4  | OCFBR3  | OCFBR2  | OCFBR1  | OCFBR0  | —     | —     | —     | OCFAR4 | OCFAR3 | OCFAR2 | OCFAR1 | OCFAR0 | 1F1F       |
| RPINR18               | 06A4 | —      | —      | —      | U1CTSR4 | U1CTSR3 | U1CTSR2 | U1CTSR1 | U1CTSR0 | —     | —     | —     | U1RXR4 | U1RXR3 | U1RXR2 | U1RXR1 | U1RXR0 | 1F1F       |
| RPINR19               | 06A6 | —      | —      | —      | U2CTSR4 | U2CTSR3 | U2CTSR2 | U2CTSR1 | U2CTSR0 | —     | —     | —     | U2RXR4 | U2RXR3 | U2RXR2 | U2RXR1 | U2RXR0 | 1F1F       |
| RPINR20               | 06A8 | —      | —      | —      | SCK1R4  | SCK1R3  | SCK1R2  | SCK1R1  | SCK1R0  | —     | —     | —     | SDI1R4 | SDI1R3 | SDI1R2 | SDI1R1 | SDI1R0 | 1F1F       |
| RPINR21               | 06AA | —      | —      | —      | —       | —       | —       | —       | —       | —     | —     | —     | SS1R4  | SS1R3  | SS1R2  | SS1R1  | SS1R0  | 001F       |
| RPINR22               | 06AC | —      | —      | —      | SCK2R4  | SCK2R3  | SCK2R2  | SCK2R1  | SCK2R0  | —     | —     | —     | SDI2R4 | SDI2R3 | SDI2R2 | SDI2R1 | SDI2R0 | 1F1F       |
| RPINR23               | 06AE | —      | —      | —      | —       | —       | —       | —       | —       | —     | —     | —     | SS2R4  | SS2R3  | SS2R2  | SS2R1  | SS2R0  | 001F       |
| RPOR0                 | 06C0 | —      | —      | —      | RP1R4   | RP1R3   | RP1R2   | RP1R1   | RP1R0   | —     | —     | —     | RP0R4  | RP0R3  | RP0R2  | RP0R1  | RP0R0  | 0000       |
| RPOR1                 | 06C2 | —      | —      | —      | RP3R4   | RP3R3   | RP3R2   | RP3R1   | RP3R0   | —     | —     | —     | RP2R4  | RP2R3  | RP2R2  | RP2R1  | RP2R0  | 0000       |
| RPOR2                 | 06C4 | —      | —      | —      | RP5R4   | RP5R3   | RP5R2   | RP5R1   | RP5R0   | —     | —     | —     | RP4R4  | RP4R3  | RP4R2  | RP4R1  | RP4R0  | 0000       |
| RPOR3                 | 06C6 | —      | —      | —      | RP7R4   | RP7R3   | RP7R2   | RP7R1   | RP7R0   | —     | —     | —     | RP6R4  | RP6R3  | RP6R2  | RP6R1  | RP6R0  | 0000       |
| RPOR4                 | 06C8 | —      | —      | —      | RP9R4   | RP9R3   | RP9R2   | RP9R1   | RP9R0   | —     | —     | —     | RP8R4  | RP8R3  | RP8R2  | RP8R1  | RP8R0  | 0000       |
| RPOR5                 | 06CA | —      | —      | —      | RP11R4  | RP11R3  | RP11R2  | RP11R1  | RP11R0  | —     | —     | —     | RP10R4 | RP10R3 | RP10R2 | RP10R1 | RP10R0 | 0000       |
| RPOR6                 | 06CC | —      | —      | —      | RP13R4  | RP13R3  | RP13R2  | RP13R1  | RP13R0  | —     | —     | —     | —      | —      | —      | —      | —      | 0000       |
| RPOR7                 | 06CE | —      | —      | —      | RP15R4  | RP15R3  | RP15R2  | RP15R1  | RP15R0  | —     | —     | —     | RP14R4 | RP14R3 | RP14R2 | RP14R1 | RP14R0 | 0000       |
| RPOR8 <sup>(1)</sup>  | 06D0 | —      | —      | —      | RP17R4  | RP17R3  | RP17R2  | RP17R1  | RP17R0  | —     | —     | —     | RP16R4 | RP16R3 | RP16R2 | RP16R1 | RP16R0 | 0000       |
| RPOR9 <sup>(1)</sup>  | 06D2 | —      | —      | —      | RP19R4  | RP19R3  | RP19R2  | RP19R1  | RP19R0  | —     | —     | —     | RP18R4 | RP18R3 | RP18R2 | RP18R1 | RP18R0 | 0000       |
| RPOR10 <sup>(1)</sup> | 06D4 | —      | —      | —      | RP21R4  | RP21R3  | RP21R2  | RP21R1  | RP21R0  | —     | —     | —     | RP20R4 | RP20R3 | RP20R2 | RP20R1 | RP20R0 | 0000       |
| RPOR11 <sup>(1)</sup> | 06D6 | —      | —      | —      | RP23R4  | RP23R3  | RP23R2  | RP23R1  | RP23R0  | —     | —     | —     | RP22R4 | RP22R3 | RP22R2 | RP22R1 | RP22R0 | 0000       |
| RPOR12 <sup>(1)</sup> | 06D8 | —      | —      | —      | RP25R4  | RP25R3  | RP25R2  | RP25R1  | RP25R0  | —     | —     | —     | RP24R4 | RP24R3 | RP24R2 | RP24R1 | RP24R0 | 0000       |

**Legend:** — = unimplemented, read as '0'. Reset values are shown in hexadecimal.

**Note 1:** Registers are unimplemented in 28-pin devices; read as '0'.

**TABLE 4-24: SYSTEM REGISTER MAP**

| File Name | Addr | Bit 15 | Bit 14 | Bit 13 | Bit 12 | Bit 11 | Bit 10 | Bit 9  | Bit 8  | Bit 7   | Bit 6  | Bit 5  | Bit 4 | Bit 3 | Bit 2  | Bit 1  | Bit 0 | All Resets |
|-----------|------|--------|--------|--------|--------|--------|--------|--------|--------|---------|--------|--------|-------|-------|--------|--------|-------|------------|
| RCON      | 0740 | TRAPR  | IOPUWR | —      | —      | —      | DPSLP  | CM     | PMSLP  | EXTR    | SWR    | SWDTEN | WDTO  | SLEEP | IDLE   | BOR    | POR   | Note 1     |
| OSCCON    | 0742 | —      | COSC2  | COSC1  | COSC0  | —      | NOSC2  | NOSC1  | NOSC0  | CLKLOCK | IOLOCK | LOCK   | —     | CF    | POSCEN | SOSCEN | OSWEN | Note 2     |
| CLKDIV    | 0744 | ROI    | DOZE2  | DOZE1  | DOZE0  | DOZEN  | RCDIV2 | RCDIV1 | RCDIV0 | CPDIV1  | CPDIV0 | PLLEN  | —     | —     | —      | —      | —     | 0100       |
| OSCTUN    | 0748 | —      | —      | —      | —      | —      | —      | —      | —      | —       | —      | TUN5   | TUN4  | TUN3  | TUN2   | TUN1   | TUN0  | 0000       |
| REFOCON   | 074E | ROEN   | —      | ROSSLP | ROSEL  | RODIV3 | RODIV2 | RODIV1 | RODIV0 | —       | —      | —      | —     | —     | —      | —      | —     | 0000       |

**Legend:** — = unimplemented, read as '0'. Reset values are shown in hexadecimal.

**Note 1:** The Reset value of the RCON register is dependent on the type of Reset event. See Section 6.0 "Resets" for more information.

**2:** The Reset value of the OSCCON register is dependent on both the type of Reset event and the device configuration. See Section 8.0 "Oscillator Configuration" for more information.

**TABLE 4-25: DEEP SLEEP REGISTER MAP**

| File Name | Addr | Bit 15                                | Bit 14 | Bit 13 | Bit 12 | Bit 11 | Bit 10 | Bit 9 | Bit 8  | Bit 7 | Bit 6 | Bit 5 | Bit 4 | Bit 3 | Bit 2  | Bit 1 | Bit 0   | All Resets <sup>(1)</sup> |
|-----------|------|---------------------------------------|--------|--------|--------|--------|--------|-------|--------|-------|-------|-------|-------|-------|--------|-------|---------|---------------------------|
| DSCON     | 758  | DSEN                                  | —      | —      | —      | —      | —      | —     | —      | —     | —     | —     | —     | —     | —      | DSBOR | RELEASE | 0000                      |
| DSWAKE    | 075A | —                                     | —      | —      | —      | —      | —      | —     | DSINT0 | DSFLT | —     | —     | DSWDT | DSRTC | DSMCLR | —     | DSPOR   | 0001                      |
| DSGPR0    | 075C | Deep Sleep General Purpose Register 0 |        |        |        |        |        |       |        |       |       |       |       |       |        |       |         | 0000                      |
| DSGPR1    | 075E | Deep Sleep General Purpose Register 1 |        |        |        |        |        |       |        |       |       |       |       |       |        |       |         | 0000                      |

**Legend:** — = unimplemented, read as '0'. Reset values are shown in hexadecimal.

**Note 1:** The Deep Sleep registers are only reset on a VDD POR event.

**TABLE 4-26: NVM REGISTER MAP**

| File Name | Addr | Bit 15 | Bit 14 | Bit 13 | Bit 12 | Bit 11 | Bit 10 | Bit 9 | Bit 8 | Bit 7 | Bit 6                | Bit 5 | Bit 4 | Bit 3  | Bit 2  | Bit 1  | Bit 0  | All Resets          |
|-----------|------|--------|--------|--------|--------|--------|--------|-------|-------|-------|----------------------|-------|-------|--------|--------|--------|--------|---------------------|
| NVMCON    | 0760 | WR     | WREN   | WRERR  | —      | —      | —      | —     | —     | —     | ERASE                | —     | —     | NVMOP3 | NVMOP2 | NVMOP1 | NVMOP0 | 0000 <sup>(1)</sup> |
| NVMKEY    | 0766 | —      | —      | —      | —      | —      | —      | —     | —     | —     | NVMKEY Register<7:0> |       |       |        |        |        | 0000   |                     |

**Legend:** — = unimplemented, read as '0'. Reset values are shown in hexadecimal.

**Note 1:** Reset value shown is for POR only. Value on other Reset states is dependent on the state of memory write or erase operations at the time of Reset.



**TABLE 4-27: PMD REGISTER MAP**

| File Name | Addr | Bit 15 | Bit 14 | Bit 13 | Bit 12 | Bit 11 | Bit 10 | Bit 9  | Bit 8 | Bit 7  | Bit 6  | Bit 5 | Bit 4  | Bit 3  | Bit 2  | Bit 1  | Bit 0  | All Resets |
|-----------|------|--------|--------|--------|--------|--------|--------|--------|-------|--------|--------|-------|--------|--------|--------|--------|--------|------------|
| PMD1      | 0770 | T5MD   | T4MD   | T3MD   | T2MD   | T1MD   | —      | —      | —     | I2C1MD | U2MD   | U1MD  | SPI2MD | SPI1MD | —      | —      | ADC1MD | 0000       |
| PMD2      | 0772 | —      | —      | —      | IC5MD  | IC4MD  | IC3MD  | IC2MD  | IC1MD | —      | —      | —     | OC5MD  | OC4MD  | OC3MD  | OC2MD  | OC1MD  | 0000       |
| PMD3      | 0774 | —      | —      | —      | —      | —      | CMPMD  | RTCCMD | PMPMD | CRCMD  | —      | —     | —      | —      | —      | I2C2MD | —      | 0000       |
| PMD4      | 0776 | —      | —      | —      | —      | —      | —      | —      | —     | —      | UPWMMD | —     | —      | REFOMD | CTMUMD | LVDMD  | USB1MD | 0000       |

**Legend:** — = unimplemented, read as '0'. Reset values are shown in hexadecimal.

# PIC24FJ64GB004 FAMILY

## 4.2.5 SOFTWARE STACK

In addition to its use as a working register, the W15 register in PIC24F devices is also used as a Software Stack Pointer. The pointer always points to the first available free word and grows from lower to higher addresses. It decrements for stack pops and post-increments for stack pushes, as shown in Figure 4-4. Note that for a PC push during any CALL instruction, the MSB of the PC is zero-extended before the push, ensuring that the MSB is always clear.

**Note:** A PC push during exception processing will concatenate the SRL register to the MSB of the PC prior to the push.

The Stack Pointer Limit Value (SPLIM) register, associated with the Stack Pointer, sets an upper address boundary for the stack. SPLIM is uninitialized at Reset. As is the case for the Stack Pointer,  $SPLIM<0>$  is forced to '0' because all stack operations must be word-aligned. Whenever an EA is generated, using W15 as a source or destination pointer, the resulting address is compared with the value in SPLIM. If the contents of the Stack Pointer (W15) and the SPLIM register are equal, and a push operation is performed, a stack error trap will not occur. The stack error trap will occur on a subsequent push operation. Thus, for example, if it is desirable to cause a stack error trap when the stack grows beyond address, 2000h in RAM, initialize the SPLIM with the value, 1FFEh.

Similarly, a Stack Pointer underflow (stack error) trap is generated when the Stack Pointer address is found to be less than 0800h. This prevents the stack from interfering with the Special Function Register (SFR) space.

A write to the SPLIM register should not be immediately followed by an indirect read operation using W15.

**FIGURE 4-4: CALL STACK FRAME**



## 4.3 Interfacing Program and Data Memory Spaces

The PIC24F architecture uses a 24-bit wide program space and a 16-bit wide data space. The architecture is also a modified Harvard scheme, meaning that data can also be present in the program space. To use this data successfully, it must be accessed in a way that preserves the alignment of information in both spaces.

Aside from normal execution, the PIC24F architecture provides two methods by which program space can be accessed during operation:

- Using table instructions to access individual bytes or words anywhere in the program space
- Remapping a portion of the program space into the data space (program space visibility)

Table instructions allow an application to read or write to small areas of the program memory. This makes the method ideal for accessing data tables that need to be updated from time to time. It also allows access to all bytes of the program word. The remapping method allows an application to access a large block of data on a read-only basis, which is ideal for look-ups from a large table of static data; it can only access the least significant word of the program word.

### 4.3.1 ADDRESSING PROGRAM SPACE

Since the address ranges for the data and program spaces are 16 and 24 bits, respectively, a method is needed to create a 23-bit or 24-bit program address from 16-bit data registers. The solution depends on the interface method to be used.

For table operations, the 8-bit Table Memory Page Address (TBLPAG) register is used to define a 32K word region within the program space. This is concatenated with a 16-bit EA to arrive at a full 24-bit program space address. In this format, the Most Significant bit of TBLPAG is used to determine if the operation occurs in the user memory ( $TBLPAG<7> = 0$ ) or the configuration memory ( $TBLPAG<7> = 1$ ).

For remapping operations, the 8-bit Program Space Visibility Page Address (PSVPAG) register is used to define a 16K word page in the program space. When the Most Significant bit of the EA is '1', PSVPAG is concatenated with the lower 15 bits of the EA to form a 23-bit program space address. Unlike table operations, this limits remapping operations strictly to the user memory area.

Table 4-28 and Figure 4-5 show how the program EA is created for table operations and remapping accesses from the data EA. Here, P<23:0> refers to a program space word, whereas D<15:0> refers to a data space word.

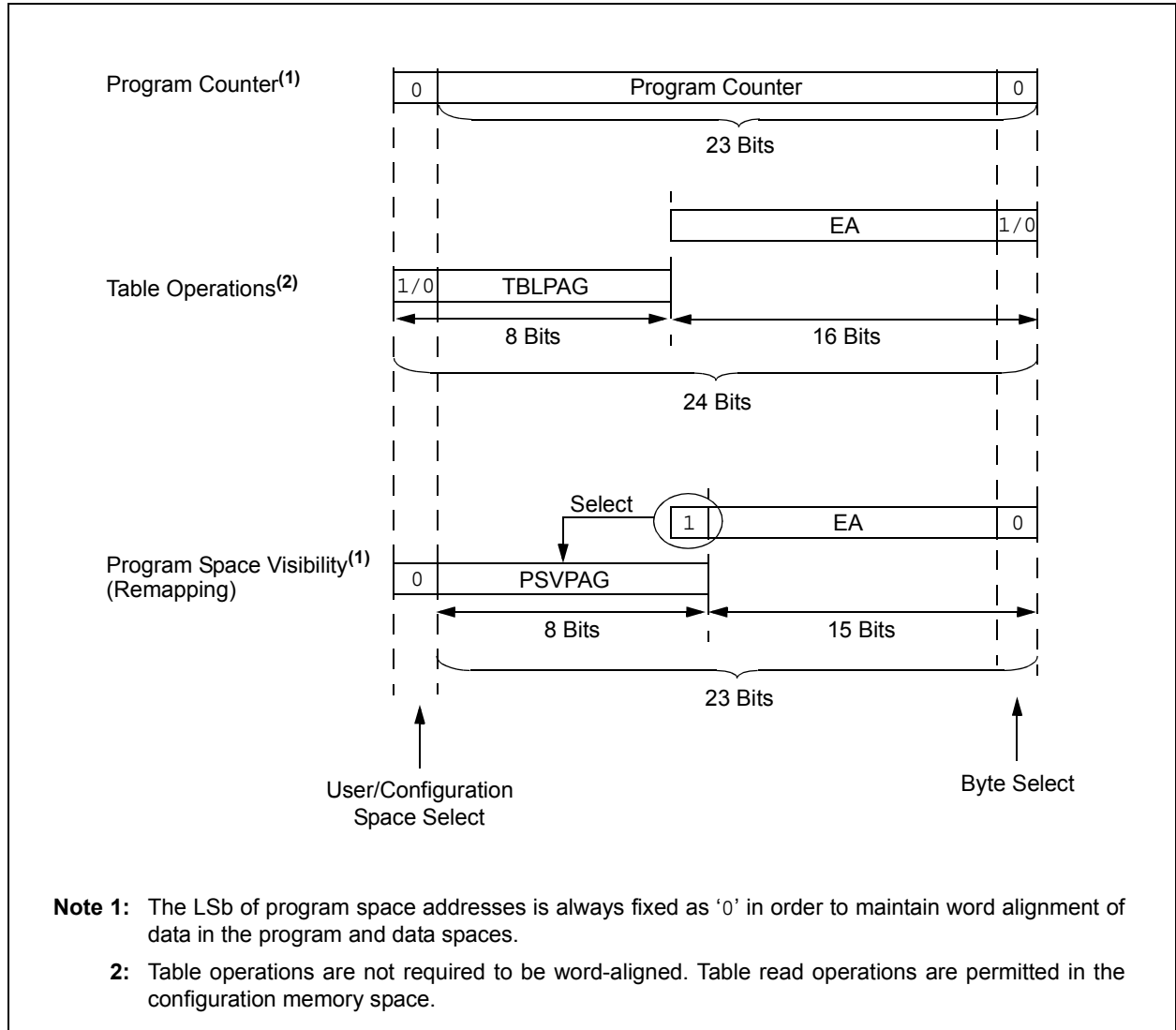
# PIC24FJ64GB004 FAMILY

**TABLE 4-28: PROGRAM SPACE ADDRESS CONSTRUCTION**

| Access Type                                    | Access Space  | Program Space Address        |             |                     |                              |     |
|------------------------------------------------|---------------|------------------------------|-------------|---------------------|------------------------------|-----|
|                                                |               | <23>                         | <22:16>     | <15>                | <14:1>                       | <0> |
| Instruction Access<br>(Code Execution)         | User          | 0                            | PC<22:1>    |                     |                              | 0   |
|                                                |               | 0xx xxxx xxxx xxxx xxxx xxx0 |             |                     |                              |     |
| TBLRD/TBLWT<br>(Byte/Word Read/Write)          | User          | TBLPAG<7:0>                  |             | Data EA<15:0>       |                              |     |
|                                                |               | 0xxx xxxx                    |             | xxxx xxxx xxxx xxxx |                              |     |
|                                                | Configuration | TBLPAG<7:0>                  |             | Data EA<15:0>       |                              |     |
|                                                |               | 1xxx xxxx                    |             | xxxx xxxx xxxx xxxx |                              |     |
| Program Space Visibility<br>(Block Remap/Read) | User          | 0                            | PSVPAG<7:0> |                     | Data EA<14:0> <sup>(1)</sup> |     |
|                                                |               | 0                            | xxxx xxxx   |                     | xxx xxxx xxxx xxxx           |     |

**Note 1:** Data EA<15> is always '1' in this case, but is not used in calculating the program space address. Bit 15 of the address is PSVPAG<0>.

**FIGURE 4-5: DATA ACCESS FROM PROGRAM SPACE ADDRESS GENERATION**



# PIC24FJ64GB004 FAMILY

## 4.3.2 DATA ACCESS FROM PROGRAM MEMORY USING TABLE INSTRUCTIONS

The `TBLRDL` and `TBLWTL` instructions offer a direct method of reading or writing the lower word of any address within the program space without going through data space. The `TBLRDH` and `TBLWTH` instructions are the only method to read or write the upper 8 bits of a program space word as data.

The PC is incremented by two for each successive 24-bit program word. This allows program memory addresses to directly map to data space addresses. Program memory can thus be regarded as two, 16-bit word-wide address spaces, residing side by side, each with the same address range. `TBLRDL` and `TBLWTL` access the space which contains the least significant data word, and `TBLRDH` and `TBLWTH` access the space which contains the upper data byte.

Two table instructions are provided to move byte or word-sized (16-bit) data to and from program space. Both function as either byte or word operations.

1. `TBLRDL` (Table Read Low): In Word mode, it maps the lower word of the program space location ( $P<15:0>$ ) to a data address ( $D<15:0>$ ). In Byte mode, either the upper or lower byte of the lower program word is mapped to the lower byte of a data address. The upper byte is selected when the byte select is '1'; the lower byte is selected when it is '0'.

2. `TBLRDH` (Table Read High): In Word mode, it maps the entire upper word of a program address ( $P<23:16>$ ) to a data address. Note that  $D<15:8>$ , the 'phantom' byte, will always be '0'.

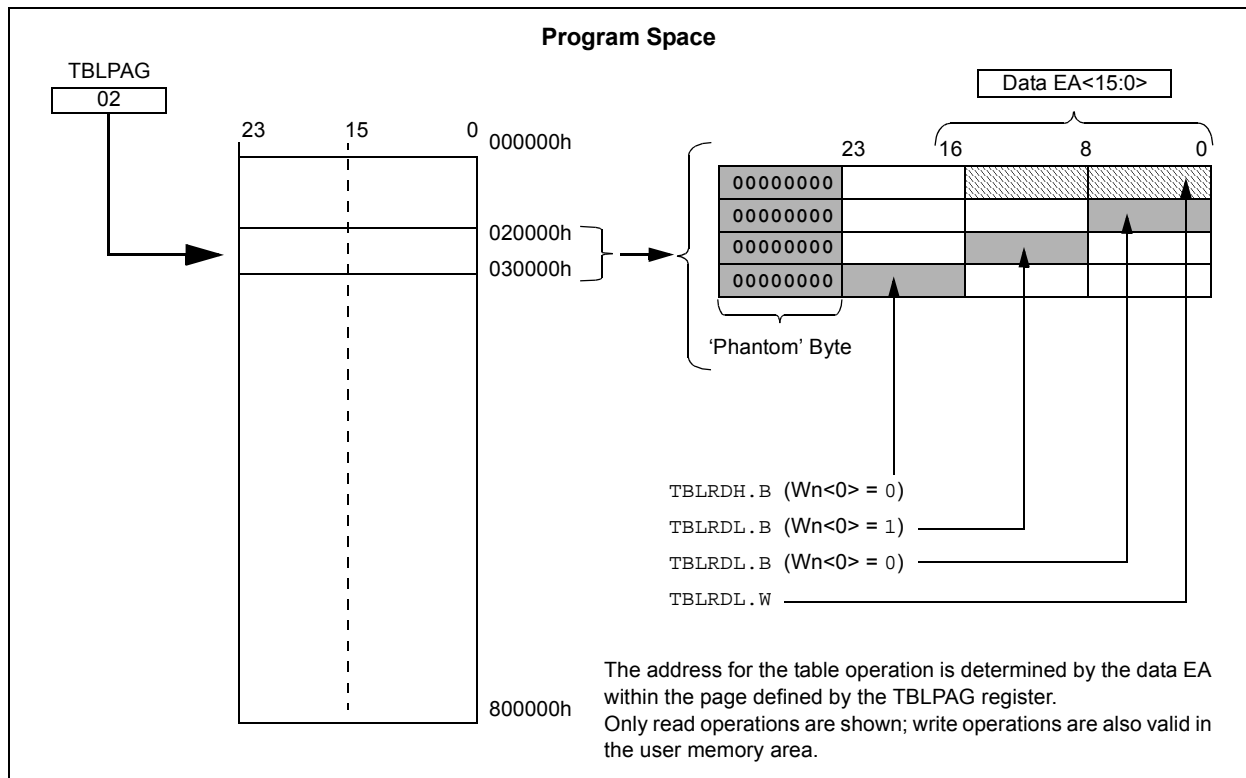
In Byte mode, it maps the upper or lower byte of the program word to  $D<7:0>$  of the data address, as above. Note that the data will always be '0' when the upper 'phantom' byte is selected (byte select = 1).

In a similar fashion, two table instructions, `TBLWTH` and `TBLWTL`, are used to write individual bytes or words to a program space address. The details of their operation are explained in **Section 5.0 "Flash Program Memory"**.

For all table operations, the area of program memory space to be accessed is determined by the Table Memory Page Address register (`TBLPAG`). `TBLPAG` covers the entire program memory space of the device, including user and configuration spaces. When `TBLPAG<7> = 0`, the table page is located in the user memory space. When `TBLPAG<7> = 1`, the page is located in configuration space.

**Note:** Only table read operations will execute in the configuration memory space, and only then, in implemented areas, such as the Device ID. Table write operations are not allowed.

**FIGURE 4-6: ACCESSING PROGRAM MEMORY WITH TABLE INSTRUCTIONS**



# PIC24FJ64GB004 FAMILY

## 4.3.3 READING DATA FROM PROGRAM MEMORY USING PROGRAM SPACE VISIBILITY

The upper 32 Kbytes of data space may optionally be mapped into any 16K word page of the program space. This provides transparent access of stored constant data from the data space without the need to use special instructions (i.e., TBLRDL/H).

Program space access through the data space occurs if the Most Significant bit (MSb) of the data space EA is '1' and program space visibility is enabled by setting the PSV bit in the CPU Control register (CORCON<2>). The location of the program memory space to be mapped into the data space is determined by the Program Space Visibility Page Address register (PSVPAG). This 8-bit register defines any one of 256 possible pages of 16K words in program space. In effect, PSVPAG functions as the upper 8 bits of the program memory address, with the 15 bits of the EA functioning as the lower bits. Note that by incrementing the PC by 2 for each program memory word, the lower 15 bits of data space addresses directly map to the lower 15 bits in the corresponding program space addresses.

Data reads to this area add an additional cycle to the instruction being executed, since two program memory fetches are required.

Although each data space address, 8000h and higher, maps directly into a corresponding program memory address (see Figure 4-7), only the lower 16 bits of the

24-bit program word are used to contain the data. The upper 8 bits of any program space locations used as data should be programmed with '1111 1111' or '0000 0000' to force a NOP. This prevents possible issues should the area of code ever be accidentally executed.

**Note:** PSV access is temporarily disabled during table reads/writes.

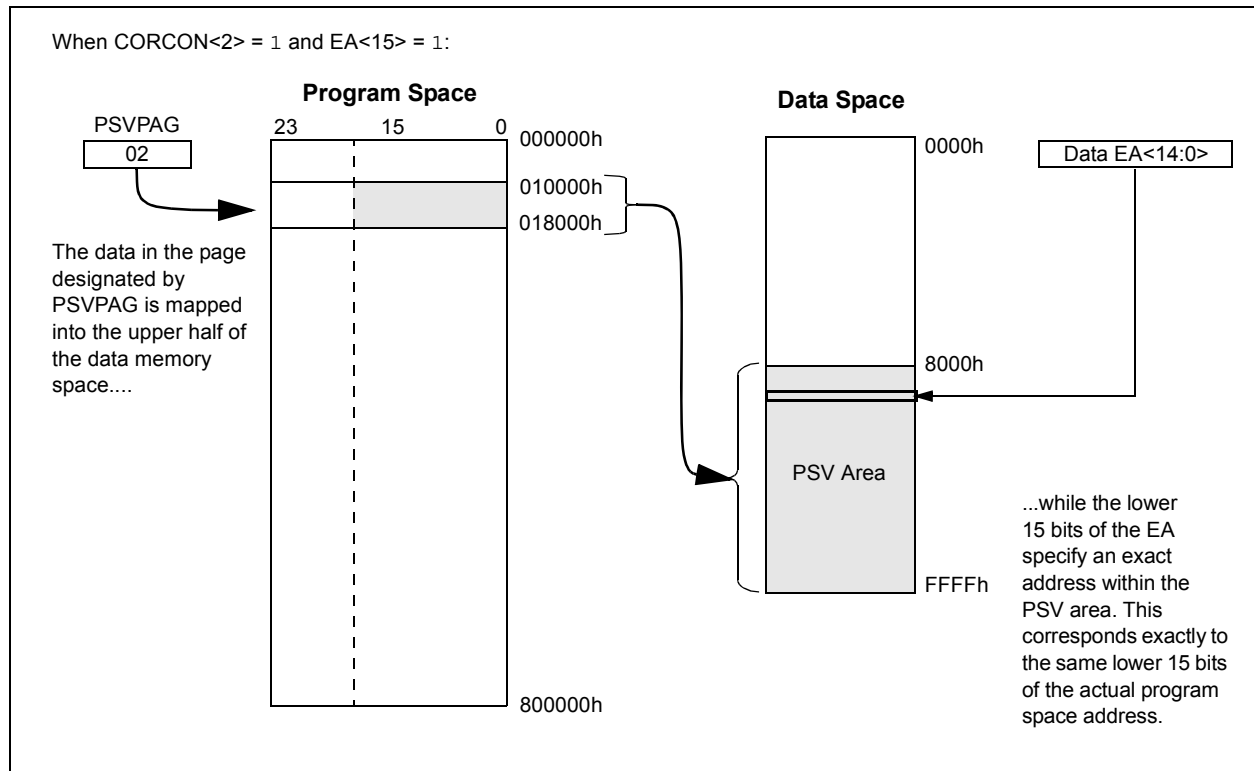
For operations that use PSV and are executed outside a REPEAT loop, the MOV and MOV.D instructions will require one instruction cycle in addition to the specified execution time. All other instructions will require two instruction cycles in addition to the specified execution time.

For operations that use PSV which are executed inside a REPEAT loop, there will be some instances that require two instruction cycles in addition to the specified execution time of the instruction:

- Execution in the first iteration
- Execution in the last iteration
- Execution prior to exiting the loop due to an interrupt
- Execution upon re-entering the loop after an interrupt is serviced

Any other iteration of the REPEAT loop will allow the instruction accessing data, using PSV, to execute in a single cycle.

**FIGURE 4-7: PROGRAM SPACE VISIBILITY OPERATION**



# PIC24FJ64GB004 FAMILY

---

NOTES:

# PIC24FJ64GB004 FAMILY

## 5.0 FLASH PROGRAM MEMORY

**Note:** This data sheet summarizes the features of this group of PIC24F devices. It is not intended to be a comprehensive reference source. For more information, refer to the “PIC24F Family Reference Manual”, Section 4. “Program Memory” (DS39715).

The PIC24FJ64GB004 family of devices contains internal Flash program memory for storing and executing application code. The memory is readable, writable and erasable when operating with VDD over 2.35V. (If the regulator is disabled, VDDCORE must be over 2.25V.)

It can be programmed in four ways:

- In-Circuit Serial Programming™ (ICSP™)
- Run-Time Self-Programming (RTSP)
- Enhanced In-Circuit Serial Programming (Enhanced ICSP)

ICSP allows a PIC24FJ64GB004 family device to be serially programmed while in the end application circuit. This is simply done with two lines for the programming clock and programming data (which are named PGECx and PGEDx, respectively), and three other lines for power (VDD), ground (VSS) and Master Clear (MCLR). This allows customers to manufacture boards with unprogrammed devices and then program the microcontroller just before shipping the product. This also allows the most recent firmware or a custom firmware to be programmed.

RTSP is accomplished using TBLRD (table read) and TBLWT (table write) instructions. With RTSP, the user may write program memory data in blocks of 64 instructions (192 bytes) at a time and erase program memory in blocks of 512 instructions (1536 bytes) at a time.

### 5.1 Table Instructions and Flash Programming

Regardless of the method used, all programming of Flash memory is done with the table read and table write instructions. These allow direct read and write access to the program memory space from the data memory while the device is in normal operating mode. The 24-bit target address in the program memory is formed using the TBLPAG<7:0> bits and the Effective Address (EA) from a W register specified in the table instruction, as shown in Figure 5-1.

The TBLRDL and the TBLWTL instructions are used to read or write to bits<15:0> of program memory. TBLRDL and TBLWTL can access program memory in both Word and Byte modes.

The TBLRDH and TBLWTH instructions are used to read or write to bits<23:16> of program memory. TBLRDH and TBLWTH can also access program memory in Word or Byte mode.

**FIGURE 5-1: ADDRESSING FOR TABLE REGISTERS**



# PIC24FJ64GB004 FAMILY

---

## 5.2 RTSP Operation

The PIC24F Flash program memory array is organized into rows of 64 instructions or 192 bytes. RTSP allows the user to erase blocks of eight rows (512 instructions) at a time and to program one row at a time. It is also possible to program single words.

The 8-row erase blocks and single row write blocks are edge-aligned, from the beginning of program memory, on boundaries of 1536 bytes and 192 bytes, respectively.

When data is written to program memory using `TBLWT` instructions, the data is not written directly to memory. Instead, data written using table writes is stored in holding latches until the programming sequence is executed.

Any number of `TBLWT` instructions can be executed and a write will be successfully performed. However, 64 `TBLWT` instructions are required to write the full row of memory.

To ensure that no data is corrupted during a write, any unused addresses should be programmed with `FFFFFFh`. This is because the holding latches reset to an unknown state, so if the addresses are left in the Reset state, they may overwrite the locations on rows which were not rewritten.

The basic sequence for RTSP programming is to set up a Table Pointer, then do a series of `TBLWT` instructions to load the buffers. Programming is performed by setting the control bits in the `NVMCON` register.

Data can be loaded in any order and the holding registers can be written to multiple times before performing a write operation. Subsequent writes, however, will wipe out any previous writes.

**Note:** Writing to a location multiple times without erasing is *not* recommended.

All of the table write operations are single-word writes (2 instruction cycles) because only the buffers are written. A programming cycle is required for programming each row.

## 5.3 JTAG Operation

The PIC24F family supports JTAG boundary scan. Boundary scan can improve the manufacturing process by verifying pin to PCB connectivity.

## 5.4 Enhanced In-Circuit Serial Programming

Enhanced In-Circuit Serial Programming uses an on-board bootloader, known as the program executive, to manage the programming process. Using an SPI data frame format, the program executive can erase, program and verify program memory. For more information on Enhanced ICSP, see the device programming specification.

## 5.5 Control Registers

There are two SFRs used to read and write the program Flash memory: `NVMCON` and `NVMKEY`.

The `NVMCON` register (Register 5-1) controls which blocks are to be erased, which memory type is to be programmed and when the programming cycle starts.

`NVMKEY` is a write-only register that is used for write protection. To start a programming or erase sequence, the user must consecutively write `55h` and `AAh` to the `NVMKEY` register. Refer to **Section 5.6 “Programming Operations”** for further details.

## 5.6 Programming Operations

A complete programming sequence is necessary for programming or erasing the internal Flash in RTSP mode. During a programming or erase operation, the processor stalls (waits) until the operation is finished. Setting the `WR` bit (`NVMCON<15>`) starts the operation and the `WR` bit is automatically cleared when the operation is finished.



# PIC24FJ64GB004 FAMILY

## REGISTER 5-1: NVMCON: FLASH MEMORY CONTROL REGISTER

|                           |                      |                          |     |     |     |     |       |
|---------------------------|----------------------|--------------------------|-----|-----|-----|-----|-------|
| R/SO-0, HC <sup>(1)</sup> | R/W-0 <sup>(1)</sup> | R/W-0, HS <sup>(1)</sup> | U-0 | U-0 | U-0 | U-0 | U-0   |
| WR                        | WREN                 | WRERR                    | —   | —   | —   | —   | —     |
| bit 15                    |                      |                          |     |     |     |     | bit 8 |

|       |                      |     |     |                       |                       |                       |                       |
|-------|----------------------|-----|-----|-----------------------|-----------------------|-----------------------|-----------------------|
| U-0   | R/W-0 <sup>(1)</sup> | U-0 | U-0 | R/W-0 <sup>(1)</sup>  | R/W-0 <sup>(1)</sup>  | R/W-0 <sup>(1)</sup>  | R/W-0 <sup>(1)</sup>  |
| —     | ERASE                | —   | —   | NVMOP3 <sup>(2)</sup> | NVMOP2 <sup>(2)</sup> | NVMOP1 <sup>(2)</sup> | NVMOP0 <sup>(2)</sup> |
| bit 7 |                      |     |     |                       |                       |                       | bit 0                 |

|                   |                        |                                    |                            |
|-------------------|------------------------|------------------------------------|----------------------------|
| <b>Legend:</b>    | SO = Settable Only bit | HC = Hardware Clearable bit        | HS = Hardware Settable bit |
| R = Readable bit  | W = Writable bit       | U = Unimplemented bit, read as '0' |                            |
| -n = Value at POR | '1' = Bit is set       | '0' = Bit is cleared               | x = Bit is unknown         |

- bit 15      **WR:** Write Control bit<sup>(1)</sup>  
 1 = Initiate a Flash memory program or erase operation. The operation is self-timed and the bit is cleared by hardware once the operation is complete.  
 0 = Program or erase operation is complete and inactive
- bit 14      **WREN:** Write Enable bit<sup>(1)</sup>  
 1 = Enable Flash program/erase operations  
 0 = Inhibit Flash program/erase operations
- bit 13      **WRERR:** Write Sequence Error Flag bit<sup>(1)</sup>  
 1 = An improper program or erase sequence attempt, or termination has occurred (bit is set automatically on any set attempt of the WR bit)  
 0 = The program or erase operation completed normally
- bit 12-7    **Unimplemented:** Read as '0'
- bit 6        **ERASE:** Erase/Program Enable bit<sup>(1)</sup>  
 1 = Perform the erase operation specified by NVMOP<3:0> on the next WR command  
 0 = Perform the program operation specified by NVMOP<3:0> on the next WR command
- bit 5-4     **Unimplemented:** Read as '0'
- bit 3-0     **NVMOP<3:0>:** NVM Operation Select bits<sup>(1,2)</sup>  
 1111 = Memory bulk erase operation (ERASE = 1) or no operation (ERASE = 0)<sup>(3)</sup>  
 0011 = Memory word program operation (ERASE = 0) or no operation (ERASE = 1)  
 0010 = Memory page erase operation (ERASE = 1) or no operation (ERASE = 0)  
 0001 = Memory row program operation (ERASE = 0) or no operation (ERASE = 1)

- Note 1:** These bits can only be reset on POR.  
**Note 2:** All other combinations of NVMOP<3:0> are unimplemented.  
**Note 3:** Available in ICSP™ mode only. Refer to the device programming specification.

# PIC24FJ64GB004 FAMILY

## 5.6.1 PROGRAMMING ALGORITHM FOR FLASH PROGRAM MEMORY

The user can program one row of Flash program memory at a time. To do this, it is necessary to erase the 8-row erase block containing the desired row. The general process is as follows:

1. Read eight rows of program memory (512 instructions) and store in data RAM.
2. Update the program data in RAM with the desired new data.
3. Erase the block (see Example 5-1):
  - a) Set the NVMOP bits (NVMCON<3:0>) to '0010' to configure for block erase. Set the ERASE (NVMCON<6>) and WREN (NVMCON<14>) bits.
  - b) Write the starting address of the block to be erased into the TBLPAG and W registers.
  - c) Write 55h to NVMKEY.
  - d) Write AAh to NVMKEY.
  - e) Set the WR bit (NVMCON<15>). The erase cycle begins and the CPU stalls for the duration of the erase cycle. When the erase is done, the WR bit is cleared automatically.
4. Write the first 64 instructions from data RAM into the program memory buffers (see Example 5-1).
5. Write the program block to Flash memory:
  - a) Set the NVMOP bits to '0001' to configure for row programming. Clear the ERASE bit and set the WREN bit.
  - b) Write 55h to NVMKEY.
  - c) Write AAh to NVMKEY.
  - d) Set the WR bit. The programming cycle begins and the CPU stalls for the duration of the write cycle. When the write to Flash memory is done, the WR bit is cleared automatically.
6. Repeat steps 4 and 5, using the next available 64 instructions from the block in data RAM by incrementing the value in TBLPAG, until all 512 instructions are written back to Flash memory.

For protection against accidental operations, the write initiate sequence for NVMKEY must be used to allow any erase or program operation to proceed. After the programming command has been executed, the user must wait for the programming time until programming is complete. The two instructions following the start of the programming sequence should be NOPS, as shown in Example 5-5.

### EXAMPLE 5-1: ERASING A PROGRAM MEMORY BLOCK – ASSEMBLY LANGUAGE CODE

```
; Set up NVMCON for block erase operation
MOV    #0x4042, W0                ;
MOV    W0, NVMCON                 ; Initialize NVMCON
; Init pointer to row to be ERASED
MOV    #tblpage(PROG_ADDR), W0    ;
MOV    W0, TBLPAG                 ; Initialize PM Page Boundary SFR
MOV    #tbloffset(PROG_ADDR), W0 ; Initialize in-page EA[15:0] pointer
TBLWTL W0, [W0]                  ; Set base address of erase block
DISI   #5                         ; Block all interrupts with priority <7
                                           ; for next 5 instructions

MOV    #0x55, W0
MOV    W0, NVMKEY                 ; Write the 55 key
MOV    #0xAA, W1
MOV    W1, NVMKEY                 ; Write the AA key
BSET   NVMCON, #WR               ; Start the erase sequence
NOP                                         ; Insert two NOPS after the erase
NOP                                         ; command is asserted
```

# PIC24FJ64GB004 FAMILY

## EXAMPLE 5-2: ERASING A PROGRAM MEMORY BLOCK – ‘C’ LANGUAGE CODE

```
// C example using MPLAB C30
unsigned long progAddr = 0xFFFFFFFF; // Address of row to write
unsigned int offset;

//Set up pointer to the first memory location to be written
TBLPAG = progAddr>>16; // Initialize PM Page Boundary SFR
offset = progAddr & 0xFFFF; // Initialize lower word of address

__builtin_tblwtl(offset, 0x0000); // Set base address of erase block
// with dummy latch write

NVMCON = 0x4042; // Initialize NVMCON

asm("DISI #5"); // Block all interrupts with priority <7
// for next 5 instructions
__builtin_write_NVM(); // C30 function to perform unlock
// sequence and set WR
```

## EXAMPLE 5-3: LOADING THE WRITE BUFFERS – ASSEMBLY LANGUAGE CODE

```
; Set up NVMCON for row programming operations
MOV    #0x4001, W0           ;
MOV    W0, NVMCON           ; Initialize NVMCON
; Set up a pointer to the first program memory location to be written
; program memory selected, and writes enabled
MOV    #0x0000, W0           ;
MOV    W0, TBLPAG           ; Initialize PM Page Boundary SFR
MOV    #0x6000, W0           ; An example program memory address
; Perform the TBLWT instructions to write the latches
; 0th_program_word
MOV    #LOW_WORD_0, W2       ;
MOV    #HIGH_BYTE_0, W3      ;
TBLWTL W2, [W0]              ; Write PM low word into program latch
TBLWTH W3, [W0++]           ; Write PM high byte into program latch
; 1st_program_word
MOV    #LOW_WORD_1, W2       ;
MOV    #HIGH_BYTE_1, W3      ;
TBLWTL W2, [W0]              ; Write PM low word into program latch
TBLWTH W3, [W0++]           ; Write PM high byte into program latch
; 2nd_program_word
MOV    #LOW_WORD_2, W2       ;
MOV    #HIGH_BYTE_2, W3      ;
TBLWTL W2, [W0]              ; Write PM low word into program latch
TBLWTH W3, [W0++]           ; Write PM high byte into program latch
.
.
.
; 63rd_program_word
MOV    #LOW_WORD_31, W2      ;
MOV    #HIGH_BYTE_31, W3     ;
TBLWTL W2, [W0]              ; Write PM low word into program latch
TBLWTH W3, [W0]              ; Write PM high byte into program latch
```

# PIC24FJ64GB004 FAMILY

## EXAMPLE 5-4: LOADING THE WRITE BUFFERS – ‘C’ LANGUAGE CODE

```
// C example using MPLAB C30

#define NUM_INSTRUCTION_PER_ROW 64
unsigned int offset;
unsigned int i;
unsigned long progAddr = 0XXXXXXX;           // Address of row to write
unsigned int progData[2*NUM_INSTRUCTION_PER_ROW]; // Buffer of data to write

//Set up NVMCON for row programming
NVMCON = 0x4001;                             // Initialize NVMCON

//Set up pointer to the first memory location to be written
TBLPAG = progAddr>>16;                       // Initialize PM Page Boundary SFR
offset = progAddr & 0xFFFF;                 // Initialize lower word of address

//Perform TBLWT instructions to write necessary number of latches
for(i=0; i < 2*NUM_INSTRUCTION_PER_ROW; i++)
{
    __builtin_tblwtl(offset, progData[i++]); // Write to address low word
    __builtin_tblwth(offset, progData[i]);   // Write to upper byte
    offset = offset + 2;                     // Increment address
}
```

## EXAMPLE 5-5: INITIATING A PROGRAMMING SEQUENCE – ASSEMBLY LANGUAGE CODE

```
DISI    #5                                ; Block all interrupts with priority <7
                                                ; for next 5 instructions

MOV     #0x55, W0
MOV     W0, NVMKEY                        ; Write the 55 key
MOV     #0xAA, W1
MOV     W1, NVMKEY                        ; Write the AA key
BSET    NVMCON, #WR                       ; Start the erase sequence
NOP
NOP
BTSC    NVMCON, #15                       ; and wait for it to be
BRA     $-2                                ; completed
```

## EXAMPLE 5-6: INITIATING A PROGRAMMING SEQUENCE – ‘C’ LANGUAGE CODE

```
// C example using MPLAB C30

asm("DISI #5");                            // Block all interrupts with priority < 7
                                                // for next 5 instructions

__builtin_write_NVM();                      // Perform unlock sequence and set WR
```

# PIC24FJ64GB004 FAMILY

## 5.6.2 PROGRAMMING A SINGLE WORD OF FLASH PROGRAM MEMORY

If a Flash location has been erased, it can be programmed using table write instructions to write an instruction word (24-bit) into the write latch. The TBLPAG register is loaded with the 8 Most Significant Bytes of the Flash address. The TBLWTL and TBLWTH

instructions write the desired data into the write latches and specify the lower 16 bits of the program memory address to write to. To configure the NVMCON register for a word write, set the NVMOP bits (NVMCON<3:0>) to '0011'. The write is performed by executing the unlock sequence and setting the WR bit (see Example 5-7).

### EXAMPLE 5-7: PROGRAMMING A SINGLE WORD OF FLASH PROGRAM MEMORY – ASSEMBLY LANGUAGE CODE

```
; Setup a pointer to data Program Memory
MOV    #tblpage(PROG_ADDR), W0      ;
MOV    W0, TBLPAG                  ; Initialize PM Page Boundary SFR
MOV    #tbloffset(PROG_ADDR), W0    ; Initialize a register with program memory address

MOV    #LOW_WORD, W2                ;
MOV    #HIGH_BYTE, W3              ;
TBLWTL W2, [W0]                    ; Write PM low word into program latch
TBLWTH W3, [W0++]                  ; Write PM high byte into program latch

; Setup NVMCON for programming one word to data Program Memory
MOV    #0x4003, W0                 ;
MOV    W0, NVMCON                  ; Set NVMOP bits to 0011

DISI   #5                          ; Disable interrupts while the KEY sequence is written
MOV    #0x55, W0                   ; Write the key sequence
MOV    W0, NVMKEY
MOV    #0xAA, W0
MOV    W0, NVMKEY
BSET   NVMCON, #WR                 ; Start the write cycle
NOP    ; Insert two NOPs after the erase
NOP    ; Command is asserted
```

### EXAMPLE 5-8: PROGRAMMING A SINGLE WORD OF FLASH PROGRAM MEMORY – 'C' LANGUAGE CODE

```
// C example using MPLAB C30

unsigned int offset;
unsigned long progAddr = 0xFFFFFFFF; // Address of word to program
unsigned int progDataL = 0xFFFF; // Data to program lower word
unsigned char progDataH = 0xFF; // Data to program upper byte

//Set up NVMCON for word programming
NVMCON = 0x4003; // Initialize NVMCON

//Set up pointer to the first memory location to be written
TBLPAG = progAddr>>16; // Initialize PM Page Boundary SFR
offset = progAddr & 0xFFFF; // Initialize lower word of address

//Perform TBLWT instructions to write latches
__builtin_tblwtl(offset, progDataL); // Write to address low word
__builtin_tblwth(offset, progDataH); // Write to upper byte
asm("DISI #5"); // Block interrupts with priority < 7
// for next 5 instructions
__builtin_write_NVM(); // C30 function to perform unlock
// sequence and set WR
```

# PIC24FJ64GB004 FAMILY

---

NOTES:

# PIC24FJ64GB004 FAMILY

## 6.0 RESETS

**Note:** This data sheet summarizes the features of this group of PIC24F devices. It is not intended to be a comprehensive reference source. For more information, refer to the “PIC24F Family Reference Manual”, Section 7. “Reset” (DS39712).

The Reset module combines all Reset sources and controls the device Master Reset Signal,  $\overline{\text{SYSRST}}$ . The following is a list of device Reset sources:

- POR: Power-on Reset
- MCLR: Pin Reset
- SWR: RESET Instruction
- WDT: Watchdog Timer Reset
- BOR: Brown-out Reset
- CM: Configuration Mismatch Reset
- TRAPR: Trap Conflict Reset
- IOPUWR: Illegal Opcode Reset
- UWR: Uninitialized W Register Reset

A simplified block diagram of the Reset module is shown in Figure 6-1.

Any active source of Reset will make the  $\overline{\text{SYSRST}}$  signal active. Many registers associated with the CPU and peripherals are forced to a known Reset state. Most registers are unaffected by a Reset; their status is unknown on POR and unchanged by all other Resets.

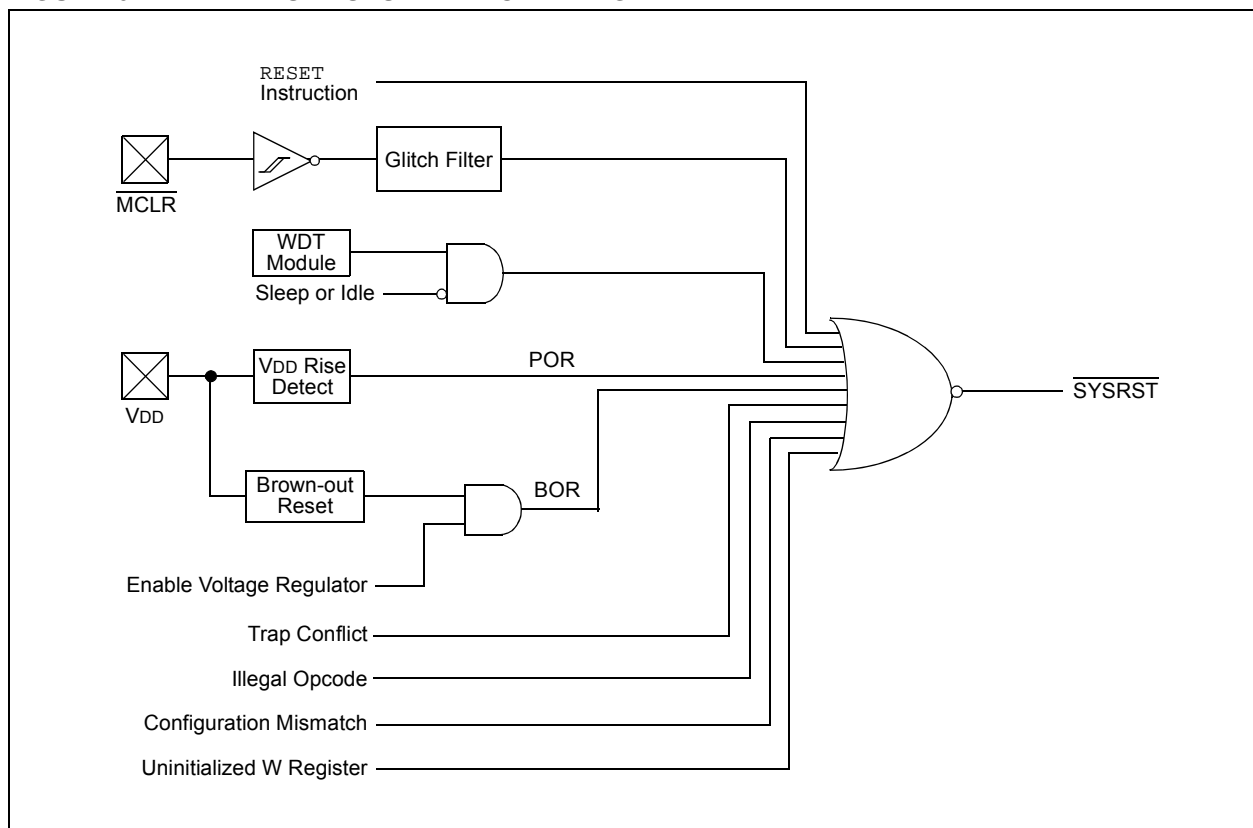
**Note:** Refer to the specific peripheral or CPU section of this manual for register Reset states.

All types of device Reset will set a corresponding status bit in the RCON register to indicate the type of Reset (see Register 6-1). A Power-on Reset will clear all bits, except for the BOR and POR bits (RCON<1:0>), which are set. The user may set or clear any bit at any time during code execution. The RCON bits only serve as status bits. Setting a particular Reset status bit in software will not cause a device Reset to occur.

The RCON register also has other bits associated with the Watchdog Timer and device power-saving states. The function of these bits is discussed in other sections of this data sheet.

**Note:** The status bits in the RCON register should be cleared after they are read so that the next RCON register value after a device Reset will be meaningful.

FIGURE 6-1: RESET SYSTEM BLOCK DIAGRAM



# PIC24FJ64GB004 FAMILY

## REGISTER 6-1: RCON: RESET CONTROL REGISTER<sup>(1)</sup>

|           |           |     |     |     |            |           |       |
|-----------|-----------|-----|-----|-----|------------|-----------|-------|
| R/W-0, HS | R/W-0, HS | U-0 | U-0 | U-0 | R/CO-0, HS | R/W-0, HS | R/W-0 |
| TRAPR     | IOPUWR    | —   | —   | —   | DPSLP      | CM        | PMSLP |
| bit 15    |           |     |     |     |            |           | bit 8 |

|           |           |                       |           |           |           |           |           |
|-----------|-----------|-----------------------|-----------|-----------|-----------|-----------|-----------|
| R/W-0, HS | R/W-0, HS | R/W-0                 | R/W-0, HS | R/W-0, HS | R/W-0, HS | R/W-1, HS | R/W-1, HS |
| EXTR      | SWR       | SWDTEN <sup>(2)</sup> | WDTO      | SLEEP     | IDLE      | BOR       | POR       |
| bit 7     |           |                       |           |           |           |           | bit 0     |

|                   |                         |                                    |
|-------------------|-------------------------|------------------------------------|
| <b>Legend:</b>    | CO = Clearable Only bit | HS = Hardware Settable bit         |
| R = Readable bit  | W = Writable bit        | U = Unimplemented bit, read as '0' |
| -n = Value at POR | '1' = Bit is set        | '0' = Bit is cleared               |
|                   |                         | x = Bit is unknown                 |

- bit 15      **TRAPR:** Trap Reset Flag bit  
 1 = A Trap Conflict Reset has occurred  
 0 = A Trap Conflict Reset has not occurred
- bit 14      **IOPUWR:** Illegal Opcode or Uninitialized W Access Reset Flag bit  
 1 = An illegal opcode detection, an illegal address mode or uninitialized W register used as an Address Pointer caused a Reset  
 0 = An illegal opcode or uninitialized W Reset has not occurred
- bit 13-11   **Unimplemented:** Read as '0'
- bit 10      **DPSLP:** Deep Sleep Mode Flag bit  
 1 = Deep Sleep has occurred  
 0 = Deep Sleep has not occurred
- bit 9        **CM:** Configuration Word Mismatch Reset Flag bit  
 1 = A Configuration Word Mismatch Reset has occurred  
 0 = A Configuration Word Mismatch Reset has not occurred
- bit 8        **PMSLP:** Program Memory Power During Sleep bit  
 1 = Program memory bias voltage remains powered during Sleep  
 0 = Program memory bias voltage is powered down during Sleep and the voltage regulator enters Standby mode
- bit 7        **EXTR:** External Reset ( $\overline{\text{MCLR}}$ ) Pin bit  
 1 = A Master Clear (pin) Reset has occurred  
 0 = A Master Clear (pin) Reset has not occurred
- bit 6        **SWR:** Software Reset (Instruction) Flag bit  
 1 = A RESET instruction has been executed  
 0 = A RESET instruction has not been executed
- bit 5        **SWDTEN:** Software Enable/Disable of WDT bit<sup>(2)</sup>  
 1 = WDT is enabled  
 0 = WDT is disabled
- bit 4        **WDTO:** Watchdog Timer Time-out Flag bit  
 1 = WDT time-out has occurred  
 0 = WDT time-out has not occurred
- bit 3        **SLEEP:** Wake From Sleep Flag bit  
 1 = Device has been in Sleep mode  
 0 = Device has not been in Sleep mode
- bit 2        **IDLE:** Wake-up From Idle Flag bit  
 1 = Device has been in Idle mode  
 0 = Device has not been in Idle mode

**Note 1:** All of the Reset status bits may be set or cleared in software. Setting one of these bits in software does not cause a device Reset.

**2:** If the FWDTEN Configuration bit is '1' (unprogrammed), the WDT is always enabled, regardless of the SWDTEN bit setting.



# PIC24FJ64GB004 FAMILY

## REGISTER 6-1: RCON: RESET CONTROL REGISTER<sup>(1)</sup> (CONTINUED)

- bit 1      **BOR:** Brown-out Reset Flag bit  
             1 = A Brown-out Reset has occurred. Note that BOR is also set after a Power-on Reset.  
             0 = A Brown-out Reset has not occurred
- bit 0      **POR:** Power-on Reset Flag bit  
             1 = A Power-on Reset has occurred  
             0 = A Power-on Reset has not occurred

- Note 1:** All of the Reset status bits may be set or cleared in software. Setting one of these bits in software does not cause a device Reset.
- 2:** If the FWDTEN Configuration bit is '1' (unprogrammed), the WDT is always enabled, regardless of the SWDTEN bit setting.

**TABLE 6-1: RESET FLAG BIT OPERATION**

| Flag Bit          | Setting Event                                     | Clearing Event           |
|-------------------|---------------------------------------------------|--------------------------|
| TRAPR (RCON<15>)  | Trap Conflict Event                               | POR                      |
| IOPUWR (RCON<14>) | Illegal Opcode or Uninitialized W Register Access | POR                      |
| CM (RCON<9>)      | Configuration Mismatch Reset                      | POR                      |
| EXTR (RCON<7>)    | $\overline{\text{MCLR}}$ Reset                    | POR                      |
| SWR (RCON<6>)     | RESET Instruction                                 | POR                      |
| WDTO (RCON<4>)    | WDT Time-out                                      | PWRSVAV Instruction, POR |
| SLEEP (RCON<3>)   | PWRSVAV #SLEEP Instruction                        | POR                      |
| IDLE (RCON<2>)    | PWRSVAV #IDLE Instruction                         | POR                      |
| BOR (RCON<1>)     | POR, BOR                                          | —                        |
| POR (RCON<0>)     | POR                                               | —                        |
| DPSLP (RCON<10>)  | PWRSVAV #SLEEP instruction with DSCON <DSEN> set  | POR                      |

**Note:** All Reset flag bits may be set or cleared by the user software.

### 6.1 Clock Source Selection at Reset

If clock switching is enabled, the system clock source at device Reset is chosen as shown in Table 6-2. If clock switching is disabled, the system clock source is always selected according to the oscillator configuration bits. Refer to **Section 8.0 “Oscillator Configuration”** for further details.

**TABLE 6-2: OSCILLATOR SELECTION vs. TYPE OF RESET (CLOCK SWITCHING ENABLED)**

| Reset Type               | Clock Source Determinant                |
|--------------------------|-----------------------------------------|
| POR                      | FNOSC Configuration bits<br>(CW2<10:8>) |
| BOR                      |                                         |
| $\overline{\text{MCLR}}$ | COSC Control bits<br>(OSCCON<14:12>)    |
| WDTO                     |                                         |
| SWR                      |                                         |

### 6.2 Device Reset Times

The Reset times for various types of device Reset are summarized in Table 6-3. Note that the System Reset signal,  $\overline{\text{SYSRST}}$ , is released after the POR and PWRT delay times expire.

The time at which the device actually begins to execute code will also depend on the system oscillator delays, which include the Oscillator Start-up Timer (OST) and the PLL lock time. The OST and PLL lock times occur in parallel with the applicable  $\overline{\text{SYSRST}}$  delay times.

The FSCM delay determines the time at which the FSCM begins to monitor the system clock source after the  $\overline{\text{SYSRST}}$  signal is released.

# PIC24FJ64GB004 FAMILY

**TABLE 6-3: RESET DELAY TIMES FOR VARIOUS DEVICE RESETS**

| Reset Type         | Clock Source | $\overline{\text{SYSRST}}$ Delay | System Clock Delay | Notes         |
|--------------------|--------------|----------------------------------|--------------------|---------------|
| POR <sup>(6)</sup> | EC           | TPOR + TRST + TPWRT              | —                  | 1, 2, 3       |
|                    | FRC, FRCDIV  | TPOR + TRST + TPWRT              | TFRC               | 1, 2, 3, 4    |
|                    | LPRC         | TPOR + TRST + TPWRT              | TLPRC              | 1, 2, 3, 4    |
|                    | ECPLL        | TPOR + TRST + TPWRT              | TLOCK              | 1, 2, 3, 5    |
|                    | FRCPLL       | TPOR + TRST + TPWRT              | TFRC + TLOCK       | 1, 2, 3, 4, 5 |
|                    | XT, HS, SOSC | TPOR + TRST + TPWRT              | TOST               | 1, 2, 3, 6    |
|                    | XTPLL, HSPLL | TPOR + TRST + TPWRT              | TOST + TLOCK       | 1, 2, 3, 5, 6 |
| BOR                | EC           | TRST + TPWRT                     | —                  | 2, 3          |
|                    | FRC, FRCDIV  | TRST + TPWRT                     | TFRC               | 2, 3, 4       |
|                    | LPRC         | TRST + TPWRT                     | TLPRC              | 2, 3, 4       |
|                    | ECPLL        | TRST + TPWRT                     | TLOCK              | 2, 3, 5       |
|                    | FRCPLL       | TRST + TPWRT                     | TFRC + TLOCK       | 2, 3, 4, 5    |
|                    | XT, HS, SOSC | TRST + TPWRT                     | TOST               | 2, 3, 6       |
|                    | XTPLL, HSPLL | TRST + TPWRT                     | TFRC + TLOCK       | 2, 3, 4, 5    |
| All Others         | Any Clock    | TRST                             | —                  | 2             |

- Note 1:** TPOR = Power-on Reset delay.  
**2:** TRST = Internal State Reset time.  
**3:** TPWRT = 64 ms nominal if regulator is disabled (DISVREG tied to VDD).  
**4:** TFRC and TLPRC = RC Oscillator start-up times.  
**5:** TLOCK = PLL lock time.  
**6:** TOST = Oscillator Start-up Timer (OST). A 10-bit counter waits 1024 oscillator periods before releasing the oscillator clock to the system.  
**7:** If Two-Speed Start-up is enabled, regardless of the primary oscillator selected, the device starts with FRC, and in such cases, FRC start-up time is valid.

**Note:** For detailed operating frequency and timing specifications, see **Section 29.0 “Electrical Characteristics”**.

# PIC24FJ64GB004 FAMILY

---

## 6.2.1 POR AND LONG OSCILLATOR START-UP TIMES

The oscillator start-up circuitry and its associated delay timers are not linked to the device Reset delays that occur at power-up. Some crystal circuits (especially low-frequency crystals) will have a relatively long start-up time. Therefore, one or more of the following conditions is possible after  $\overline{\text{SYSRST}}$  is released:

- The oscillator circuit has not begun to oscillate.
- The Oscillator Start-up Timer has not expired (if a crystal oscillator is used).
- The PLL has not achieved a lock (if PLL is used).

The device will not begin to execute code until a valid clock source has been released to the system. Therefore, the oscillator and PLL start-up delays must be considered when the Reset delay time must be known.

## 6.2.2 FAIL-SAFE CLOCK MONITOR (FSCM) AND DEVICE RESETS

If the FSCM is enabled, it will begin to monitor the system clock source when  $\overline{\text{SYSRST}}$  is released. If a valid clock source is not available at this time, the device will automatically switch to the FRC Oscillator and the user can switch to the desired crystal oscillator in the Trap Service Routine (TSR).

## 6.3 Special Function Register Reset States

Most of the Special Function Registers (SFRs) associated with the PIC24F CPU and peripherals are reset to a particular value at a device Reset. The SFRs are grouped by their peripheral or CPU function and their Reset values are specified in each section of this manual.

The Reset value for each SFR does not depend on the type of Reset with the exception of four registers. The Reset value for the Reset Control register, RCON, will depend on the type of device Reset. The Reset value for the Oscillator Control register, OSCCON, will depend on the type of Reset and the programmed values of the FNOSC bits in Flash Configuration Word 2 (CW2); see Table 6-2. The RCFGAL and NVMCON registers are only affected by a POR.

## 6.4 Deep Sleep BOR (DSBOR)

Deep Sleep BOR is a very low-power BOR circuitry, used when the device is in Deep Sleep mode. Due to low-current consumption, accuracy may vary.

The DSBOR trip point is around 2.0V. DSBOR is enabled by configuring  $\text{CW4}<\text{DSBOREN}> = 1$ . DSBOR will re-arm the POR to ensure the device will reset if VDD drops below the POR threshold.

# PIC24FJ64GB004 FAMILY

---

NOTES:

## 7.0 INTERRUPT CONTROLLER

**Note:** This data sheet summarizes the features of this group of PIC24F devices. It is not intended to be a comprehensive reference source. For more information, refer to the “PIC24F Family Reference Manual”, Section 8. “Interrupts” (DS39707).

The PIC24F interrupt controller reduces the numerous peripheral interrupt request signals to a single interrupt request signal to the PIC24F CPU. It has the following features:

- Up to 8 processor exceptions and software traps
- 7 user-selectable priority levels
- Interrupt Vector Table (IVT) with up to 118 vectors
- A unique vector for each interrupt or exception source
- Fixed priority within a specified user priority level
- Alternate Interrupt Vector Table (AIVT) for debug support
- Fixed interrupt entry and return latencies

### 7.1 Interrupt Vector Table

The Interrupt Vector Table (IVT) is shown in Figure 7-1. The IVT resides in program memory, starting at location 000004h. The IVT contains 126 vectors, consisting of 8 non-maskable trap vectors, plus up to 118 sources of interrupt. In general, each interrupt source has its own vector. Each interrupt vector contains a 24-bit wide address. The value programmed into each interrupt vector location is the starting address of the associated Interrupt Service Routine (ISR).

Interrupt vectors are prioritized in terms of their natural priority. This is linked to their position in the vector table. All other things being equal, lower addresses have a higher natural priority. For example, the interrupt associated with Vector 0 will take priority over interrupts at any other vector address.

PIC24FJ64GB004 family devices implement non-maskable traps and unique interrupts. These are summarized in Table 7-1 and Table 7-2.

### 7.1.1 ALTERNATE INTERRUPT VECTOR TABLE

The Alternate Interrupt Vector Table (AIVT) is located after the IVT, as shown in Figure 7-1. Access to the AIVT is provided by the ALTIVT control bit (INTCON2<15>). If the ALTIVT bit is set, all interrupt and exception processes will use the alternate vectors instead of the default vectors. The alternate vectors are organized in the same manner as the default vectors.

The AIVT supports emulation and debugging efforts by providing a means to switch between an application and a support environment without requiring the interrupt vectors to be reprogrammed. This feature also enables switching between applications for evaluation of different software algorithms at run time. If the AIVT is not needed, the AIVT should be programmed with the same addresses used in the IVT.

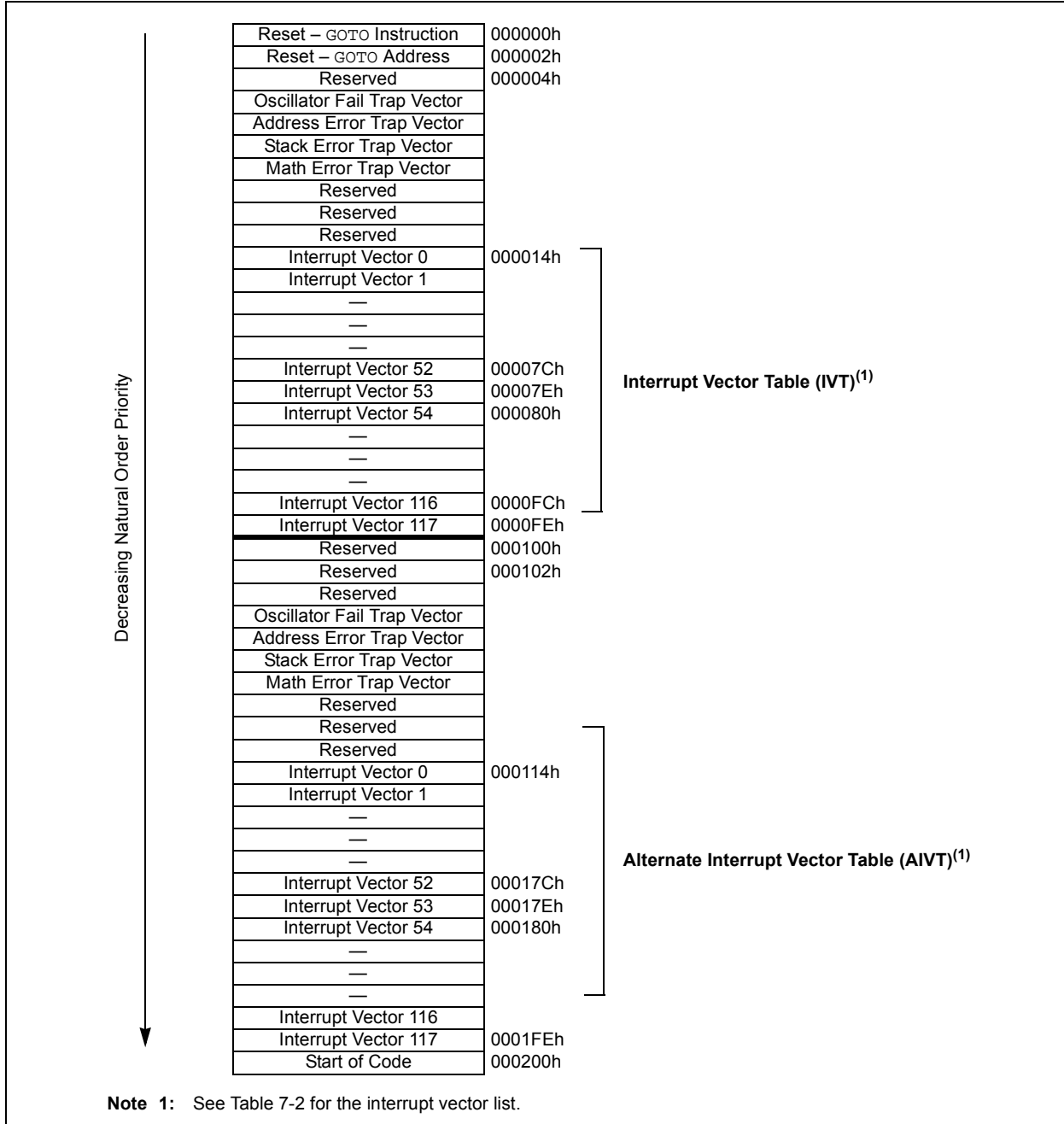
## 7.2 Reset Sequence

A device Reset is not a true exception because the interrupt controller is not involved in the Reset process. The PIC24F devices clear their registers in response to a Reset which forces the PC to zero. The microcontroller then begins program execution at location 000000h. The user programs a GOTO instruction at the Reset address, which redirects program execution to the appropriate start-up routine.

**Note:** Any unimplemented or unused vector locations in the IVT and AIVT should be programmed with the address of a default interrupt handler routine that contains a RESET instruction.

# PIC24FJ64GB004 FAMILY

**FIGURE 7-1: PIC24F INTERRUPT VECTOR TABLE**



**TABLE 7-1: TRAP VECTOR DETAILS**

| Vector Number | IVT Address | AIVT Address | Trap Source        |
|---------------|-------------|--------------|--------------------|
| 0             | 000004h     | 000104h      | Reserved           |
| 1             | 000006h     | 000106h      | Oscillator Failure |
| 2             | 000008h     | 000108h      | Address Error      |
| 3             | 00000Ah     | 00010Ah      | Stack Error        |
| 4             | 00000Ch     | 00010Ch      | Math Error         |
| 5             | 00000Eh     | 00010Eh      | Reserved           |
| 6             | 000010h     | 000110h      | Reserved           |
| 7             | 000012h     | 000112h      | Reserved           |

# PIC24FJ64GB004 FAMILY

**TABLE 7-2: IMPLEMENTED INTERRUPT VECTORS**

| Interrupt Source          | Vector Number | IVT Address | AIVT Address | Interrupt Bit Locations |          |              |
|---------------------------|---------------|-------------|--------------|-------------------------|----------|--------------|
|                           |               |             |              | Flag                    | Enable   | Priority     |
| ADC1 Conversion Done      | 13            | 00002Eh     | 00012Eh      | IFS0<13>                | IEC0<13> | IPC3<6:4>    |
| Comparator Event          | 18            | 000038h     | 000138h      | IFS1<2>                 | IEC1<2>  | IPC4<10:8>   |
| CRC Generator             | 67            | 00009Ah     | 00019Ah      | IFS4<3>                 | IEC4<3>  | IPC16<14:12> |
| CTMU Event                | 77            | 0000AEh     | 0001AEh      | IFS4<13>                | IEC4<13> | IPC19<6:4>   |
| External Interrupt 0      | 0             | 000014h     | 000114h      | IFS0<0>                 | IEC0<0>  | IPC0<2:0>    |
| External Interrupt 1      | 20            | 00003Ch     | 00013Ch      | IFS1<4>                 | IEC1<4>  | IPC5<2:0>    |
| External Interrupt 2      | 29            | 00004Eh     | 00014Eh      | IFS1<13>                | IEC1<13> | IPC7<6:4>    |
| I2C1 Master Event         | 17            | 000036h     | 000136h      | IFS1<1>                 | IEC1<1>  | IPC4<6:4>    |
| I2C1 Slave Event          | 16            | 000034h     | 000134h      | IFS1<0>                 | IEC1<0>  | IPC4<2:0>    |
| I2C2 Master Event         | 50            | 000078h     | 000178h      | IFS3<2>                 | IEC3<2>  | IPC12<10:8>  |
| I2C2 Slave Event          | 49            | 000076h     | 000176h      | IFS3<1>                 | IEC3<1>  | IPC12<6:4>   |
| Input Capture 1           | 1             | 000016h     | 000116h      | IFS0<1>                 | IEC0<1>  | IPC0<6:4>    |
| Input Capture 2           | 5             | 00001Eh     | 00011Eh      | IFS0<5>                 | IEC0<5>  | IPC1<6:4>    |
| Input Capture 3           | 37            | 00005Eh     | 00015Eh      | IFS2<5>                 | IEC2<5>  | IPC9<6:4>    |
| Input Capture 4           | 38            | 000060h     | 000160h      | IFS2<6>                 | IEC2<6>  | IPC9<10:8>   |
| Input Capture 5           | 39            | 000062h     | 000162h      | IFS2<7>                 | IEC2<7>  | IPC9<14:12>  |
| Input Change Notification | 19            | 00003Ah     | 00013Ah      | IFS1<3>                 | IEC1<3>  | IPC4<14:12>  |
| LVD Low-Voltage Detect    | 72            | 0000A4h     | 0001A4h      | IFS4<8>                 | IEC4<8>  | IPC18<2:0>   |
| Output Compare 1          | 2             | 000018h     | 000118h      | IFS0<2>                 | IEC0<2>  | IPC0<10:8>   |
| Output Compare 2          | 6             | 000020h     | 000120h      | IFS0<6>                 | IEC0<6>  | IPC1<10:8>   |
| Output Compare 3          | 25            | 000046h     | 000146h      | IFS1<9>                 | IEC1<9>  | IPC6<6:4>    |
| Output Compare 4          | 26            | 000048h     | 000148h      | IFS1<10>                | IEC1<10> | IPC6<10:8>   |
| Output Compare 5          | 41            | 000066h     | 000166h      | IFS2<9>                 | IEC2<9>  | IPC10<6:4>   |
| Parallel Master Port      | 45            | 00006Eh     | 00016Eh      | IFS2<13>                | IEC2<13> | IPC11<6:4>   |
| Real-Time Clock/Calendar  | 62            | 000090h     | 000190h      | IFS3<14>                | IEC3<14> | IPC15<10:8>  |
| SPI1 Error                | 9             | 000026h     | 000126h      | IFS0<9>                 | IEC0<9>  | IPC2<6:4>    |
| SPI1 Event                | 10            | 000028h     | 000128h      | IFS0<10>                | IEC0<10> | IPC2<10:8>   |
| SPI2 Error                | 32            | 000054h     | 000154h      | IFS2<0>                 | IEC2<0>  | IPC8<2:0>    |
| SPI2 Event                | 33            | 000056h     | 000156h      | IFS2<1>                 | IEC2<1>  | IPC8<6:4>    |
| Timer1                    | 3             | 00001Ah     | 00011Ah      | IFS0<3>                 | IEC0<3>  | IPC0<14:12>  |
| Timer2                    | 7             | 000022h     | 000122h      | IFS0<7>                 | IEC0<7>  | IPC1<14:12>  |
| Timer3                    | 8             | 000024h     | 000124h      | IFS0<8>                 | IEC0<8>  | IPC2<2:0>    |
| Timer4                    | 27            | 00004Ah     | 00014Ah      | IFS1<11>                | IEC1<11> | IPC6<14:12>  |
| Timer5                    | 28            | 00004Ch     | 00014Ch      | IFS1<12>                | IEC1<12> | IPC7<2:0>    |
| UART1 Error               | 65            | 000096h     | 000196h      | IFS4<1>                 | IEC4<1>  | IPC16<6:4>   |
| UART1 Receiver            | 11            | 00002Ah     | 00012Ah      | IFS0<11>                | IEC0<11> | IPC2<14:12>  |
| UART1 Transmitter         | 12            | 00002Ch     | 00012Ch      | IFS0<12>                | IEC0<12> | IPC3<2:0>    |
| UART2 Error               | 66            | 000098h     | 000198h      | IFS4<2>                 | IEC4<2>  | IPC16<10:8>  |
| UART2 Receiver            | 30            | 000050h     | 000150h      | IFS1<14>                | IEC1<14> | IPC7<10:8>   |
| UART2 Transmitter         | 31            | 000052h     | 000152h      | IFS1<15>                | IEC1<15> | IPC7<14:12>  |
| USB Interrupt             | 86            | 0000C0h     | 0001C0h      | IFS5<6>                 | IEC5<6>  | IPC21<10:8>  |

# PIC24FJ64GB004 FAMILY

---

## 7.3 Interrupt Control and Status Registers

The PIC24FJ64GB004 family of devices implements the following registers for the interrupt controller:

- INTCON1
- INTCON2
- IFS0 through IFS5
- IEC0 through IEC5
- IPC0 through IPC21 (except IPC13, IPC14 and IPC17)
- INTTREG

Global interrupt control functions are controlled from INTCON1 and INTCON2. INTCON1 contains the Interrupt Nesting Disable (NSTDIS) bit, as well as the control and status flags for the processor trap sources. The INTCON2 register controls the external interrupt request signal behavior and the use of the Alternate Interrupt Vector Table.

The IFSx registers maintain all of the interrupt request flags. Each source of interrupt has a status bit which is set by the respective peripherals, or an external signal, and is cleared via software.

The IECx registers maintain all of the interrupt enable bits. These control bits are used to individually enable interrupts from the peripherals or external signals.

The IPCx registers are used to set the Interrupt Priority Level for each source of interrupt. Each user interrupt source can be assigned to one of eight priority levels.

The interrupt sources are assigned to the IFSx, IECx and IPCx registers in the order of their vector numbers, as shown in Table 7-2. For example, the INT0 (External Interrupt 0) is shown as having a vector number and a natural order priority of 0. Thus, the INTOIF status bit is found in IFS0<0>, the INTOIE enable bit in IEC0<0> and the INTOIP<2:0> priority bits in the first position of IPC0 (IPC0<2:0>).

Although they are not specifically part of the interrupt control hardware, two of the CPU control registers contain bits that control interrupt functionality. The ALU STATUS Register (SR) contains the IPL<2:0> bits (SR<7:5>); these indicate the current CPU interrupt priority level. The user may change the current CPU priority level by writing to the IPL bits.

The CORCON register contains the IPL3 bit, which, together with IPL<2:0>, indicates the current CPU priority level. IPL3 is a read-only bit so that trap events cannot be masked by the user software.

The interrupt controller has the Interrupt Controller Test Register (INTTREG) that displays the status of the interrupt controller. When an interrupt request occurs, its associated vector number and the new interrupt priority level are latched into INTTREG.

This information can be used to determine a specific interrupt source if a generic ISR is used for multiple vectors – such as when ISR remapping is used in boot-loader applications. It also could be used to check if another interrupt is pending while in an ISR.

All interrupt registers are described in Register 7-1 through Register 7-35, on the following pages.



# PIC24FJ64GB004 FAMILY

## REGISTER 7-1: SR: ALU STATUS REGISTER (IN CPU)

|        |     |     |     |     |     |     |                   |
|--------|-----|-----|-----|-----|-----|-----|-------------------|
| U-0    | U-0 | U-0 | U-0 | U-0 | U-0 | U-0 | R-0               |
| —      | —   | —   | —   | —   | —   | —   | DC <sup>(1)</sup> |
| bit 15 |     |     |     |     |     |     | bit 8             |

|                       |                       |                       |                   |                  |                   |                  |                  |
|-----------------------|-----------------------|-----------------------|-------------------|------------------|-------------------|------------------|------------------|
| R/W-0                 | R/W-0                 | R/W-0                 | R-0               | R/W-0            | R/W-0             | R/W-0            | R/W-0            |
| IPL2 <sup>(2,3)</sup> | IPL1 <sup>(2,3)</sup> | IPL0 <sup>(2,3)</sup> | RA <sup>(1)</sup> | N <sup>(1)</sup> | OV <sup>(1)</sup> | Z <sup>(1)</sup> | C <sup>(1)</sup> |
| bit 7                 |                       |                       |                   |                  |                   |                  | bit 0            |

### Legend:

R = Readable bit                      W = Writable bit                      U = Unimplemented bit, read as '0'  
 -n = Value at POR                      '1' = Bit is set                      '0' = Bit is cleared                      x = Bit is unknown

bit 7-5                      **IPL<2:0>**: CPU Interrupt Priority Level Status bits<sup>(2,3)</sup>  
 111 = CPU interrupt priority level is 7 (15). User interrupts disabled.  
 110 = CPU interrupt priority level is 6 (14)  
 101 = CPU interrupt priority level is 5 (13)  
 100 = CPU interrupt priority level is 4 (12)  
 011 = CPU interrupt priority level is 3 (11)  
 010 = CPU interrupt priority level is 2 (10)  
 001 = CPU interrupt priority level is 1 (9)  
 000 = CPU interrupt priority level is 0 (8)

- Note 1:** See Register 3-1 for the description of the remaining bit(s) that are not dedicated to interrupt control functions.
- 2:** The IPL bits are concatenated with the IPL3 bit (CORCON<3>) to form the CPU interrupt priority level. The value in parentheses indicates the interrupt priority level if IPL3 = 1.
- 3:** The IPL Status bits are read-only when NSTDIS (INTCON1<15>) = 1.

## REGISTER 7-2: CORCON: CPU CONTROL REGISTER

|        |     |     |     |     |     |     |       |
|--------|-----|-----|-----|-----|-----|-----|-------|
| U-0    | U-0 | U-0 | U-0 | U-0 | U-0 | U-0 | U-0   |
| —      | —   | —   | —   | —   | —   | —   | —     |
| bit 15 |     |     |     |     |     |     | bit 8 |

|       |     |     |     |                     |                    |     |       |
|-------|-----|-----|-----|---------------------|--------------------|-----|-------|
| U-0   | U-0 | U-0 | U-0 | R/C-0               | R/W-0              | U-0 | U-0   |
| —     | —   | —   | —   | IPL3 <sup>(2)</sup> | PSV <sup>(1)</sup> | —   | —     |
| bit 7 |     |     |     |                     |                    |     | bit 0 |

### Legend:

C = Clearable bit  
 R = Readable bit                      W = Writable bit                      U = Unimplemented bit, read as '0'  
 -n = Value at POR                      '1' = Bit is set                      '0' = Bit is cleared                      x = Bit is unknown

bit 3                      **IPL3**: CPU Interrupt Priority Level Status bit<sup>(2)</sup>  
 1 = CPU interrupt priority level is greater than 7  
 0 = CPU interrupt priority level is 7 or less

- Note 1:** See Register 3-2 for the description of the remaining bit(s) that are not dedicated to interrupt control functions.
- 2:** The IPL3 bit is concatenated with the IPL<2:0> bits (SR<7:5>) to form the CPU interrupt priority level.

# PIC24FJ64GB004 FAMILY

## REGISTER 7-3: INTCON1: INTERRUPT CONTROL REGISTER 1

|        |     |     |     |     |     |     |       |
|--------|-----|-----|-----|-----|-----|-----|-------|
| R/W-0  | U-0 | U-0 | U-0 | U-0 | U-0 | U-0 | U-0   |
| NSTDIS | —   | —   | —   | —   | —   | —   | —     |
| bit 15 |     |     |     |     |     |     | bit 8 |

|       |     |     |         |         |        |         |       |
|-------|-----|-----|---------|---------|--------|---------|-------|
| U-0   | U-0 | U-0 | R/W-0   | R/W-0   | R/W-0  | R/W-0   | U-0   |
| —     | —   | —   | MATHERR | ADDRERR | STKERR | OSCFAIL | —     |
| bit 7 |     |     |         |         |        |         | bit 0 |

### Legend:

R = Readable bit

W = Writable bit

U = Unimplemented bit, read as '0'

-n = Value at POR

'1' = Bit is set

'0' = Bit is cleared

x = Bit is unknown

- bit 15      **NSTDIS:** Interrupt Nesting Disable bit  
             1 = Interrupt nesting is disabled  
             0 = Interrupt nesting is enabled
- bit 14-5    **Unimplemented:** Read as '0'
- bit 4        **MATHERR:** Arithmetic Error Trap Status bit  
             1 = Overflow trap has occurred  
             0 = Overflow trap has not occurred
- bit 3        **ADDRERR:** Address Error Trap Status bit  
             1 = Address error trap has occurred  
             0 = Address error trap has not occurred
- bit 2        **STKERR:** Stack Error Trap Status bit  
             1 = Stack error trap has occurred  
             0 = Stack error trap has not occurred
- bit 1        **OSCFAIL:** Oscillator Failure Trap Status bit  
             1 = Oscillator failure trap has occurred  
             0 = Oscillator failure trap has not occurred
- bit 0        **Unimplemented:** Read as '0'

# PIC24FJ64GB004 FAMILY

## REGISTER 7-4: INTCON2: INTERRUPT CONTROL REGISTER 2

|        |      |     |     |     |     |     |       |
|--------|------|-----|-----|-----|-----|-----|-------|
| R/W-0  | R-0  | U-0 | U-0 | U-0 | U-0 | U-0 | U-0   |
| ALTIVT | DISI | —   | —   | —   | —   | —   | —     |
| bit 15 |      |     |     |     |     |     | bit 8 |

|       |     |     |     |     |        |        |        |
|-------|-----|-----|-----|-----|--------|--------|--------|
| U-0   | U-0 | U-0 | U-0 | U-0 | R/W-0  | R/W-0  | R/W-0  |
| —     | —   | —   | —   | —   | INT2EP | INT1EP | INT0EP |
| bit 7 |     |     |     |     |        | bit 0  |        |

### Legend:

|                   |                  |                                    |
|-------------------|------------------|------------------------------------|
| R = Readable bit  | W = Writable bit | U = Unimplemented bit, read as '0' |
| -n = Value at POR | '1' = Bit is set | '0' = Bit is cleared               |
|                   |                  | x = Bit is unknown                 |

- bit 15     **ALTIVT:** Enable Alternate Interrupt Vector Table (AIVT) bit  
           1 = Use Alternate Interrupt Vector Table  
           0 = Use standard (default) Interrupt Vector Table (IVT)
- bit 14     **DISI:** DISI Instruction Status bit  
           1 = DISI instruction is active  
           0 = DISI instruction is not active
- bit 13-3   **Unimplemented:** Read as '0'
- bit 2     **INT2EP:** External Interrupt 2 Edge Detect Polarity Select bit  
           1 = Interrupt on negative edge  
           0 = Interrupt on positive edge
- bit 1     **INT1EP:** External Interrupt 1 Edge Detect Polarity Select bit  
           1 = Interrupt on negative edge  
           0 = Interrupt on positive edge
- bit 0     **INT0EP:** External Interrupt 0 Edge Detect Polarity Select bit  
           1 = Interrupt on negative edge  
           0 = Interrupt on positive edge

# PIC24FJ64GB004 FAMILY

## REGISTER 7-5: IFS0: INTERRUPT FLAG STATUS REGISTER 0

|        |     |       |        |        |        |        |       |
|--------|-----|-------|--------|--------|--------|--------|-------|
| U-0    | U-0 | R/W-0 | R/W-0  | R/W-0  | R/W-0  | R/W-0  | R/W-0 |
| —      | —   | AD1IF | U1TXIF | U1RXIF | SPI1IF | SPF1IF | T3IF  |
| bit 15 |     |       |        |        |        |        | bit 8 |

|       |       |       |     |       |       |       |        |
|-------|-------|-------|-----|-------|-------|-------|--------|
| R/W-0 | R/W-0 | R/W-0 | U-0 | R/W-0 | R/W-0 | R/W-0 | R/W-0  |
| T2IF  | OC2IF | IC2IF | —   | T1IF  | OC1IF | IC1IF | INT0IF |
| bit 7 |       |       |     |       |       |       | bit 0  |

### Legend:

|                   |                  |                                    |
|-------------------|------------------|------------------------------------|
| R = Readable bit  | W = Writable bit | U = Unimplemented bit, read as '0' |
| -n = Value at POR | '1' = Bit is set | '0' = Bit is cleared               |
|                   |                  | x = Bit is unknown                 |

- bit 15-14 **Unimplemented:** Read as '0'
- bit 13 **AD1IF:** A/D Conversion Complete Interrupt Flag Status bit  
1 = Interrupt request has occurred  
0 = Interrupt request has not occurred
- bit 12 **U1TXIF:** UART1 Transmitter Interrupt Flag Status bit  
1 = Interrupt request has occurred  
0 = Interrupt request has not occurred
- bit 11 **U1RXIF:** UART1 Receiver Interrupt Flag Status bit  
1 = Interrupt request has occurred  
0 = Interrupt request has not occurred
- bit 10 **SPI1IF:** SPI1 Event Interrupt Flag Status bit  
1 = Interrupt request has occurred  
0 = Interrupt request has not occurred
- bit 9 **SPF1IF:** SPI1 Fault Interrupt Flag Status bit  
1 = Interrupt request has occurred  
0 = Interrupt request has not occurred
- bit 8 **T3IF:** Timer3 Interrupt Flag Status bit  
1 = Interrupt request has occurred  
0 = Interrupt request has not occurred
- bit 7 **T2IF:** Timer2 Interrupt Flag Status bit  
1 = Interrupt request has occurred  
0 = Interrupt request has not occurred
- bit 6 **OC2IF:** Output Compare Channel 2 Interrupt Flag Status bit  
1 = Interrupt request has occurred  
0 = Interrupt request has not occurred
- bit 5 **IC2IF:** Input Capture Channel 2 Interrupt Flag Status bit  
1 = Interrupt request has occurred  
0 = Interrupt request has not occurred
- bit 4 **Unimplemented:** Read as '0'
- bit 3 **T1IF:** Timer1 Interrupt Flag Status bit  
1 = Interrupt request has occurred  
0 = Interrupt request has not occurred
- bit 2 **OC1IF:** Output Compare Channel 1 Interrupt Flag Status bit  
1 = Interrupt request has occurred  
0 = Interrupt request has not occurred
- bit 1 **IC1IF:** Input Capture Channel 1 Interrupt Flag Status bit  
1 = Interrupt request has occurred  
0 = Interrupt request has not occurred
- bit 0 **INT0IF:** External Interrupt 0 Flag Status bit  
1 = Interrupt request has occurred  
0 = Interrupt request has not occurred

# PIC24FJ64GB004 FAMILY

## REGISTER 7-6: IFS1: INTERRUPT FLAG STATUS REGISTER 1

|        |        |        |       |       |       |       |       |
|--------|--------|--------|-------|-------|-------|-------|-------|
| R/W-0  | R/W-0  | R/W-0  | R/W-0 | R/W-0 | R/W-0 | R/W-0 | U-0   |
| U2TXIF | U2RXIF | INT2IF | T5IF  | T4IF  | OC4IF | OC3IF | —     |
| bit 15 |        |        |       |       |       |       | bit 8 |

|       |     |     |        |       |       |         |         |
|-------|-----|-----|--------|-------|-------|---------|---------|
| U-0   | U-0 | U-0 | R/W-0  | R/W-0 | R/W-0 | R/W-0   | R/W-0   |
| —     | —   | —   | INT1IF | CNIF  | CMIF  | MI2C1IF | SI2C1IF |
| bit 7 |     |     |        |       |       |         | bit 0   |

### Legend:

R = Readable bit

W = Writable bit

U = Unimplemented bit, read as '0'

-n = Value at POR

'1' = Bit is set

'0' = Bit is cleared

x = Bit is unknown

- bit 15      **U2TXIF:** UART2 Transmitter Interrupt Flag Status bit  
1 = Interrupt request has occurred  
0 = Interrupt request has not occurred
- bit 14      **U2RXIF:** UART2 Receiver Interrupt Flag Status bit  
1 = Interrupt request has occurred  
0 = Interrupt request has not occurred
- bit 13      **INT2IF:** External Interrupt 2 Flag Status bit  
1 = Interrupt request has occurred  
0 = Interrupt request has not occurred
- bit 12      **T5IF:** Timer5 Interrupt Flag Status bit  
1 = Interrupt request has occurred  
0 = Interrupt request has not occurred
- bit 11      **T4IF:** Timer4 Interrupt Flag Status bit  
1 = Interrupt request has occurred  
0 = Interrupt request has not occurred
- bit 10      **OC4IF:** Output Compare Channel 4 Interrupt Flag Status bit  
1 = Interrupt request has occurred  
0 = Interrupt request has not occurred
- bit 9        **OC3IF:** Output Compare Channel 3 Interrupt Flag Status bit  
1 = Interrupt request has occurred  
0 = Interrupt request has not occurred
- bit 8-5     **Unimplemented:** Read as '0'
- bit 4        **INT1IF:** External Interrupt 1 Flag Status bit  
1 = Interrupt request has occurred  
0 = Interrupt request has not occurred
- bit 3        **CNIF:** Input Change Notification Interrupt Flag Status bit  
1 = Interrupt request has occurred  
0 = Interrupt request has not occurred
- bit 2        **CMIF:** Comparator Interrupt Flag Status bit  
1 = Interrupt request has occurred  
0 = Interrupt request has not occurred
- bit 1        **MI2C1IF:** Master I2C1 Event Interrupt Flag Status bit  
1 = Interrupt request has occurred  
0 = Interrupt request has not occurred
- bit 0        **SI2C1IF:** Slave I2C1 Event Interrupt Flag Status bit  
1 = Interrupt request has occurred  
0 = Interrupt request has not occurred

# PIC24FJ64GB004 FAMILY

## REGISTER 7-7: IFS2: INTERRUPT FLAG STATUS REGISTER 2

|        |     |       |     |     |     |       |       |
|--------|-----|-------|-----|-----|-----|-------|-------|
| U-0    | U-0 | R/W-0 | U-0 | U-0 | U-0 | R/W-0 | U-0   |
| —      | —   | PMPIF | —   | —   | —   | OC5IF | —     |
| bit 15 |     |       |     |     |     |       | bit 8 |

|       |       |       |     |     |     |        |        |
|-------|-------|-------|-----|-----|-----|--------|--------|
| R/W-0 | R/W-0 | R/W-0 | U-0 | U-0 | U-0 | R/W-0  | R/W-0  |
| IC5IF | IC4IF | IC3IF | —   | —   | —   | SPI2IF | SPF2IF |
| bit 7 |       |       |     |     |     |        | bit 0  |

### Legend:

R = Readable bit                      W = Writable bit                      U = Unimplemented bit, read as '0'  
 -n = Value at POR                      '1' = Bit is set                      '0' = Bit is cleared                      x = Bit is unknown

- bit 15-14      **Unimplemented:** Read as '0'
- bit 13        **PMPIF:** Parallel Master Port Interrupt Flag Status bit  
                   1 = Interrupt request has occurred  
                   0 = Interrupt request has not occurred
- bit 12-10     **Unimplemented:** Read as '0'
- bit 9         **OC5IF:** Output Compare Channel 5 Interrupt Flag Status bit  
                   1 = Interrupt request has occurred  
                   0 = Interrupt request has not occurred
- bit 8         **Unimplemented:** Read as '0'
- bit 7         **IC5IF:** Input Capture Channel 5 Interrupt Flag Status bit  
                   1 = Interrupt request has occurred  
                   0 = Interrupt request has not occurred
- bit 6         **IC4IF:** Input Capture Channel 4 Interrupt Flag Status bit  
                   1 = Interrupt request has occurred  
                   0 = Interrupt request has not occurred
- bit 5         **IC3IF:** Input Capture Channel 3 Interrupt Flag Status bit  
                   1 = Interrupt request has occurred  
                   0 = Interrupt request has not occurred
- bit 4-2       **Unimplemented:** Read as '0'
- bit 1         **SPI2IF:** SPI2 Event Interrupt Flag Status bit  
                   1 = Interrupt request has occurred  
                   0 = Interrupt request has not occurred
- bit 0         **SPF2IF:** SPI2 Fault Interrupt Flag Status bit  
                   1 = Interrupt request has occurred  
                   0 = Interrupt request has not occurred

# PIC24FJ64GB004 FAMILY

## REGISTER 7-8: IFS3: INTERRUPT FLAG STATUS REGISTER 3

|        |       |     |     |     |     |       |     |
|--------|-------|-----|-----|-----|-----|-------|-----|
| U-0    | R/W-0 | U-0 | U-0 | U-0 | U-0 | U-0   | U-0 |
| —      | RTCIF | —   | —   | —   | —   | —     | —   |
| bit 15 |       |     |     |     |     | bit 8 |     |

|       |     |     |     |     |         |         |     |
|-------|-----|-----|-----|-----|---------|---------|-----|
| U-0   | U-0 | U-0 | U-0 | U-0 | R/W-0,  | R/W-0   | U-0 |
| —     | —   | —   | —   | —   | MI2C2IF | SI2C2IF | —   |
| bit 7 |     |     |     |     |         | bit 0   |     |

### Legend:

R = Readable bit

W = Writable bit

U = Unimplemented bit, read as '0'

-n = Value at POR

'1' = Bit is set

'0' = Bit is cleared

x = Bit is unknown

- bit 15      **Unimplemented:** Read as '0'
- bit 14      **RTCIF:** Real-Time Clock/Calendar Interrupt Flag Status bit  
             1 = Interrupt request has occurred  
             0 = Interrupt request has not occurred
- bit 13-3    **Unimplemented:** Read as '0'
- bit 2        **MI2C2IF:** Master I2C2 Event Interrupt Flag Status bit  
             1 = Interrupt request has occurred  
             0 = Interrupt request has not occurred
- bit 1        **SI2C2IF:** Slave I2C2 Event Interrupt Flag Status bit  
             1 = Interrupt request has occurred  
             0 = Interrupt request has not occurred
- bit 0        **Unimplemented:** Read as '0'

# PIC24FJ64GB004 FAMILY

## REGISTER 7-9: IFS4: INTERRUPT FLAG STATUS REGISTER 4

|        |     |        |     |     |     |     |       |
|--------|-----|--------|-----|-----|-----|-----|-------|
| U-0    | U-0 | R/W-0  | U-0 | U-0 | U-0 | U-0 | R/W-0 |
| —      | —   | CTMUIF | —   | —   | —   | —   | LVDIF |
| bit 15 |     |        |     |     |     |     | bit 8 |

|       |     |     |     |       |        |        |       |
|-------|-----|-----|-----|-------|--------|--------|-------|
| U-0   | U-0 | U-0 | U-0 | R/W-0 | R/W-0  | R/W-0  | U-0   |
| —     | —   | —   | —   | CRCIF | U2ERIF | U1ERIF | —     |
| bit 7 |     |     |     |       |        |        | bit 0 |

### Legend:

R = Readable bit

W = Writable bit

U = Unimplemented bit, read as '0'

-n = Value at POR

'1' = Bit is set

'0' = Bit is cleared

x = Bit is unknown

- bit 15-14     **Unimplemented:** Read as '0'
- bit 13       **CTMUIF:** CTMU Interrupt Flag Status bit  
1 = Interrupt request has occurred  
0 = Interrupt request has not occurred
- bit 12-9     **Unimplemented:** Read as '0'
- bit 8        **LVDIF:** Low-Voltage Detect Interrupt Flag Status bit  
1 = Interrupt request has occurred  
0 = Interrupt request has not occurred
- bit 7-4      **Unimplemented:** Read as '0'
- bit 3        **CRCIF:** CRC Generator Interrupt Flag Status bit  
1 = Interrupt request has occurred  
0 = Interrupt request has not occurred
- bit 2        **U2ERIF:** UART2 Error Interrupt Flag Status bit  
1 = Interrupt request has occurred  
0 = Interrupt request has not occurred
- bit 1        **U1ERIF:** UART1 Error Interrupt Flag Status bit  
1 = Interrupt request has occurred  
0 = Interrupt request has not occurred
- bit 0        **Unimplemented:** Read as '0'



# PIC24FJ64GB004 FAMILY

## REGISTER 7-10: IFS5: INTERRUPT FLAG STATUS REGISTER 5

|        |     |     |     |     |     |     |       |
|--------|-----|-----|-----|-----|-----|-----|-------|
| U-0    | U-0 | U-0 | U-0 | U-0 | U-0 | U-0 | U-0   |
| —      | —   | —   | —   | —   | —   | —   | —     |
| bit 15 |     |     |     |     |     |     | bit 8 |

|       |        |     |     |     |     |     |       |
|-------|--------|-----|-----|-----|-----|-----|-------|
| U-0   | R/W-0  | U-0 | U-0 | U-0 | U-0 | U-0 | U-0   |
| —     | USB1IF | —   | —   | —   | —   | —   | —     |
| bit 7 |        |     |     |     |     |     | bit 0 |

### Legend:

R = Readable bit

W = Writable bit

U = Unimplemented bit, read as '0'

-n = Value at POR

'1' = Bit is set

'0' = Bit is cleared

x = Bit is unknown

bit 15-7 **Unimplemented:** Read as '0'

bit 6 **USB1IF:** USB1 (USB OTG) Interrupt Flag Status bit

1 = Interrupt request has occurred

0 = Interrupt request has not occurred

bit 5-0 **Unimplemented:** Read as '0'

# PIC24FJ64GB004 FAMILY

## REGISTER 7-11: IEC0: INTERRUPT ENABLE CONTROL REGISTER 0

|        |     |       |        |        |        |        |       |
|--------|-----|-------|--------|--------|--------|--------|-------|
| U-0    | U-0 | R/W-0 | R/W-0  | R/W-0  | R/W-0  | R/W-0  | R/W-0 |
| —      | —   | AD1IE | U1TXIE | U1RXIE | SPI1IE | SPF1IE | T3IE  |
| bit 15 |     |       |        |        |        |        | bit 8 |

|       |       |       |     |       |       |       |        |
|-------|-------|-------|-----|-------|-------|-------|--------|
| R/W-0 | R/W-0 | R/W-0 | U-0 | R/W-0 | R/W-0 | R/W-0 | R/W-0  |
| T2IE  | OC2IE | IC2IE | —   | T1IE  | OC1IE | IC1IE | INT0IE |
| bit 7 |       |       |     |       |       |       | bit 0  |

### Legend:

|                   |                  |                                    |
|-------------------|------------------|------------------------------------|
| R = Readable bit  | W = Writable bit | U = Unimplemented bit, read as '0' |
| -n = Value at POR | '1' = Bit is set | '0' = Bit is cleared               |
|                   |                  | x = Bit is unknown                 |

- bit 15-14     **Unimplemented:** Read as '0'
- bit 13       **AD1IE:** A/D Conversion Complete Interrupt Enable bit  
1 = Interrupt request is enabled  
0 = Interrupt request is not enabled
- bit 12       **U1TXIE:** UART1 Transmitter Interrupt Enable bit  
1 = Interrupt request is enabled  
0 = Interrupt request is not enabled
- bit 11       **U1RXIE:** UART1 Receiver Interrupt Enable bit  
1 = Interrupt request is enabled  
0 = Interrupt request is not enabled
- bit 10       **SPI1IE:** SPI1 Transfer Complete Interrupt Enable bit  
1 = Interrupt request is enabled  
0 = Interrupt request is not enabled
- bit 9         **SPF1IE:** SPI1 Fault Interrupt Enable bit  
1 = Interrupt request is enabled  
0 = Interrupt request is not enabled
- bit 8         **T3IE:** Timer3 Interrupt Enable bit  
1 = Interrupt request is enabled  
0 = Interrupt request is not enabled
- bit 7         **T2IE:** Timer2 Interrupt Enable bit  
1 = Interrupt request is enabled  
0 = Interrupt request is not enabled
- bit 6         **OC2IE:** Output Compare Channel 2 Interrupt Enable bit  
1 = Interrupt request is enabled  
0 = Interrupt request is not enabled
- bit 5         **IC2IE:** Input Capture Channel 2 Interrupt Enable bit  
1 = Interrupt request is enabled  
0 = Interrupt request is not enabled
- bit 4         **Unimplemented:** Read as '0'
- bit 3         **T1IE:** Timer1 Interrupt Enable bit  
1 = Interrupt request is enabled  
0 = Interrupt request is not enabled
- bit 2         **OC1IE:** Output Compare Channel 1 Interrupt Enable bit  
1 = Interrupt request is enabled  
0 = Interrupt request is not enabled
- bit 1         **IC1IE:** Input Capture Channel 1 Interrupt Enable bit  
1 = Interrupt request is enabled  
0 = Interrupt request is not enabled
- bit 0         **INT0IE:** External Interrupt 0 Enable bit  
1 = Interrupt request is enabled  
0 = Interrupt request is not enabled

# PIC24FJ64GB004 FAMILY

## REGISTER 7-12: IEC1: INTERRUPT ENABLE CONTROL REGISTER 1

|        |        |                       |       |       |       |       |       |
|--------|--------|-----------------------|-------|-------|-------|-------|-------|
| R/W-0  | R/W-0  | R/W-0                 | R/W-0 | R/W-0 | R/W-0 | R/W-0 | U-0   |
| U2TXIE | U2RXIE | INT2IE <sup>(1)</sup> | T5IE  | T4IE  | OC4IE | OC3IE | —     |
| bit 15 |        |                       |       |       |       |       | bit 8 |

|       |     |     |                       |       |       |         |         |
|-------|-----|-----|-----------------------|-------|-------|---------|---------|
| U-0   | U-0 | U-0 | R/W-0                 | R/W-0 | R/W-0 | R/W-0   | R/W-0   |
| —     | —   | —   | INT1IE <sup>(1)</sup> | CNIE  | CMIE  | MI2C1IE | SI2C1IE |
| bit 7 |     |     |                       |       |       |         | bit 0   |

### Legend:

|                   |                  |                                    |
|-------------------|------------------|------------------------------------|
| R = Readable bit  | W = Writable bit | U = Unimplemented bit, read as '0' |
| -n = Value at POR | '1' = Bit is set | '0' = Bit is cleared               |
|                   |                  | x = Bit is unknown                 |

- bit 15      **U2TXIE:** UART2 Transmitter Interrupt Enable bit  
1 = Interrupt request is enabled  
0 = Interrupt request is not enabled
- bit 14      **U2RXIE:** UART2 Receiver Interrupt Enable bit  
1 = Interrupt request is enabled  
0 = Interrupt request is not enabled
- bit 13      **INT2IE:** External Interrupt 2 Enable bit<sup>(1)</sup>  
1 = Interrupt request is enabled  
0 = Interrupt request is not enabled
- bit 12      **T5IE:** Timer5 Interrupt Enable bit  
1 = Interrupt request is enabled  
0 = Interrupt request is not enabled
- bit 11      **T4IE:** Timer4 Interrupt Enable bit  
1 = Interrupt request is enabled  
0 = Interrupt request is not enabled
- bit 10      **OC4IE:** Output Compare Channel 4 Interrupt Enable bit  
1 = Interrupt request is enabled  
0 = Interrupt request is not enabled
- bit 9        **OC3IE:** Output Compare Channel 3 Interrupt Enable bit  
1 = Interrupt request is enabled  
0 = Interrupt request is not enabled
- bit 8-5     **Unimplemented:** Read as '0'
- bit 4        **INT1IE:** External Interrupt 1 Enable bit<sup>(1)</sup>  
1 = Interrupt request is enabled  
0 = Interrupt request is not enabled
- bit 3        **CNIE:** Input Change Notification Interrupt Enable bit  
1 = Interrupt request is enabled  
0 = Interrupt request is not enabled
- bit 2        **CMIE:** Comparator Interrupt Enable bit  
1 = Interrupt request is enabled  
0 = Interrupt request is not enabled
- bit 1        **MI2C1IE:** Master I2C1 Event Interrupt Enable bit  
1 = Interrupt request is enabled  
0 = Interrupt request is not enabled
- bit 0        **SI2C1IE:** Slave I2C1 Event Interrupt Enable bit  
1 = Interrupt request is enabled  
0 = Interrupt request is not enabled

**Note 1:** If an external interrupt is enabled, the interrupt input must also be configured to an available RPN or PRIn pin. See **Section 10.4 “Peripheral Pin Select (PPS)”** for more information.

# PIC24FJ64GB004 FAMILY

## REGISTER 7-13: IEC2: INTERRUPT ENABLE CONTROL REGISTER 2

|        |     |       |     |     |     |       |       |
|--------|-----|-------|-----|-----|-----|-------|-------|
| U-0    | U-0 | R/W-0 | U-0 | U-0 | U-0 | R/W-0 | U-0   |
| —      | —   | PMPIE | —   | —   | —   | OC5IE | —     |
| bit 15 |     |       |     |     |     |       | bit 8 |

|       |       |       |     |     |     |        |        |
|-------|-------|-------|-----|-----|-----|--------|--------|
| R/W-0 | R/W-0 | R/W-0 | U-0 | U-0 | U-0 | R/W-0  | R/W-0  |
| IC5IE | IC4IE | IC3IE | —   | —   | —   | SPI2IE | SPF2IE |
| bit 7 |       |       |     |     |     |        | bit 0  |

### Legend:

R = Readable bit

W = Writable bit

U = Unimplemented bit, read as '0'

-n = Value at POR

'1' = Bit is set

'0' = Bit is cleared

x = Bit is unknown

- bit 15-14     **Unimplemented:** Read as '0'
- bit 13       **PMPIE:** Parallel Master Port Interrupt Enable bit  
               1 = Interrupt request is enabled  
               0 = Interrupt request is not enabled
- bit 12-10    **Unimplemented:** Read as '0'
- bit 9         **OC5IE:** Output Compare Channel 5 Interrupt Enable bit  
               1 = Interrupt request is enabled  
               0 = Interrupt request is not enabled
- bit 8         **Unimplemented:** Read as '0'
- bit 7         **IC5IE:** Input Capture Channel 5 Interrupt Enable bit  
               1 = Interrupt request is enabled  
               0 = Interrupt request is not enabled
- bit 6         **IC4IE:** Input Capture Channel 4 Interrupt Enable bit  
               1 = Interrupt request is enabled  
               0 = Interrupt request is not enabled
- bit 5         **IC3IE:** Input Capture Channel 3 Interrupt Enable bit  
               1 = Interrupt request is enabled  
               0 = Interrupt request is not enabled
- bit 4-2      **Unimplemented:** Read as '0'
- bit 1         **SPI2IE:** SPI2 Event Interrupt Enable bit  
               1 = Interrupt request is enabled  
               0 = Interrupt request is not enabled
- bit 0         **SPF2IE:** SPI2 Fault Interrupt Enable bit  
               1 = Interrupt request is enabled  
               0 = Interrupt request is not enabled

# PIC24FJ64GB004 FAMILY

## REGISTER 7-14: IEC3: INTERRUPT ENABLE CONTROL REGISTER 3

|        |       |     |     |     |     |     |       |
|--------|-------|-----|-----|-----|-----|-----|-------|
| U-0    | R/W-0 | U-0 | U-0 | U-0 | U-0 | U-0 | U-0   |
| —      | RTCIE | —   | —   | —   | —   | —   | —     |
| bit 15 |       |     |     |     |     |     | bit 8 |

|       |     |     |     |     |         |         |     |
|-------|-----|-----|-----|-----|---------|---------|-----|
| U-0   | U-0 | U-0 | U-0 | U-0 | R/W-0   | R/W-0   | U-0 |
| —     | —   | —   | —   | —   | MI2C2IE | SI2C2IE | —   |
| bit 7 |     |     |     |     |         | bit 0   |     |

### Legend:

R = Readable bit

W = Writable bit

U = Unimplemented bit, read as '0'

-n = Value at POR

'1' = Bit is set

'0' = Bit is cleared

x = Bit is unknown

- bit 15      **Unimplemented:** Read as '0'
- bit 14      **RTCIE:** Real-Time Clock/Calendar Interrupt Enable bit  
                  1 = Interrupt request is enabled  
                  0 = Interrupt request is not enabled
- bit 13-3    **Unimplemented:** Read as '0'
- bit 2        **MI2C2IE:** Master I2C2 Event Interrupt Enable bit  
                  1 = Interrupt request is enabled  
                  0 = Interrupt request is not enabled
- bit 1        **SI2C2IE:** Slave I2C2 Event Interrupt Enable bit  
                  1 = Interrupt request is enabled  
                  0 = Interrupt request is not enabled
- bit 0        **Unimplemented:** Read as '0'

# PIC24FJ64GB004 FAMILY

## REGISTER 7-15: IEC4: INTERRUPT ENABLE CONTROL REGISTER 4

|        |     |        |     |     |     |     |       |
|--------|-----|--------|-----|-----|-----|-----|-------|
| U-0    | U-0 | R/W-0  | U-0 | U-0 | U-0 | U-0 | R/W-0 |
| —      | —   | CTMUIE | —   | —   | —   | —   | LVDIE |
| bit 15 |     |        |     |     |     |     | bit 8 |

|       |     |     |     |       |        |        |       |
|-------|-----|-----|-----|-------|--------|--------|-------|
| U-0   | U-0 | U-0 | U-0 | R/W-0 | R/W-0  | R/W-0  | U-0   |
| —     | —   | —   | —   | CRCIE | U2ERIE | U1ERIE | —     |
| bit 7 |     |     |     |       |        |        | bit 0 |

### Legend:

R = Readable bit

W = Writable bit

U = Unimplemented bit, read as '0'

-n = Value at POR

'1' = Bit is set

'0' = Bit is cleared

x = Bit is unknown

- bit 15-14     **Unimplemented:** Read as '0'
- bit 13       **CTMUIE:** CTMU Interrupt Enable bit  
1 = Interrupt request is enabled  
0 = Interrupt request is not enabled
- bit 12-9     **Unimplemented:** Read as '0'
- bit 8         **LVDIE:** Low-Voltage Detect Interrupt Enable bit  
1 = Interrupt request is enabled  
0 = Interrupt request is not enabled
- bit 7-4      **Unimplemented:** Read as '0'
- bit 3         **CRCIE:** CRC Generator Interrupt Enable bit  
1 = Interrupt request is enabled  
0 = Interrupt request is not enabled
- bit 2         **U2ERIE:** UART2 Error Interrupt Enable bit  
1 = Interrupt request is enabled  
0 = Interrupt request is not enabled
- bit 1         **U1ERIE:** UART1 Error Interrupt Enable bit  
1 = Interrupt request is enabled  
0 = Interrupt request is not enabled
- bit 0         **Unimplemented:** Read as '0'

# PIC24FJ64GB004 FAMILY

## REGISTER 7-16: IEC5: INTERRUPT ENABLE CONTROL REGISTER 5

|        |     |     |     |     |     |     |       |
|--------|-----|-----|-----|-----|-----|-----|-------|
| U-0    | U-0 | U-0 | U-0 | U-0 | U-0 | U-0 | U-0   |
| —      | —   | —   | —   | —   | —   | —   | —     |
| bit 15 |     |     |     |     |     |     | bit 8 |

|       |        |     |     |     |     |     |       |
|-------|--------|-----|-----|-----|-----|-----|-------|
| U-0   | R/W-0  | U-0 | U-0 | U-0 | U-0 | U-0 | U-0   |
| —     | USB1IE | —   | —   | —   | —   | —   | —     |
| bit 7 |        |     |     |     |     |     | bit 0 |

### Legend:

R = Readable bit

W = Writable bit

U = Unimplemented bit, read as '0'

-n = Value at POR

'1' = Bit is set

'0' = Bit is cleared

x = Bit is unknown

bit 15-7 **Unimplemented:** Read as '0'

bit 6 **USB1IE:** USB1 (USB OTG) Interrupt Enable bit  
 1 = Interrupt request is enabled  
 0 = Interrupt request is not enabled

bit 5-0 **Unimplemented:** Read as '0'

# PIC24FJ64GB004 FAMILY

## REGISTER 7-17: IPC0: INTERRUPT PRIORITY CONTROL REGISTER 0

|        |       |       |       |     |        |        |        |
|--------|-------|-------|-------|-----|--------|--------|--------|
| U-0    | R/W-1 | R/W-0 | R/W-0 | U-0 | R/W-1  | R/W-0  | R/W-0  |
| —      | T1IP2 | T1IP1 | T1IP0 | —   | OC1IP2 | OC1IP1 | OC1IP0 |
| bit 15 |       |       |       |     |        | bit 8  |        |

|       |        |        |        |     |         |         |         |
|-------|--------|--------|--------|-----|---------|---------|---------|
| U-0   | R/W-1  | R/W-0  | R/W-0  | U-0 | R/W-1   | R/W-0   | R/W-0   |
| —     | IC1IP2 | IC1IP1 | IC1IP0 | —   | INT0IP2 | INT0IP1 | INT0IP0 |
| bit 7 |        |        |        |     |         | bit 0   |         |

### Legend:

R = Readable bit                      W = Writable bit                      U = Unimplemented bit, read as '0'  
 -n = Value at POR                      '1' = Bit is set                      '0' = Bit is cleared                      x = Bit is unknown

- bit 15                      **Unimplemented:** Read as '0'
- bit 14-12                **T1IP<2:0>:** Timer1 Interrupt Priority bits
  - 111 = Interrupt is Priority 7 (highest priority interrupt)
  - 
  - 
  - 
  - 001 = Interrupt is Priority 1
  - 000 = Interrupt source is disabled
- bit 11                    **Unimplemented:** Read as '0'
- bit 10-8                **OC1IP<2:0>:** Output Compare Channel 1 Interrupt Priority bits
  - 111 = Interrupt is Priority 7 (highest priority interrupt)
  - 
  - 
  - 
  - 001 = Interrupt is Priority 1
  - 000 = Interrupt source is disabled
- bit 7                     **Unimplemented:** Read as '0'
- bit 6-4                 **IC1IP<2:0>:** Input Capture Channel 1 Interrupt Priority bits
  - 111 = Interrupt is Priority 7 (highest priority interrupt)
  - 
  - 
  - 
  - 001 = Interrupt is Priority 1
  - 000 = Interrupt source is disabled
- bit 3                    **Unimplemented:** Read as '0'
- bit 2-0                 **INT0IP<2:0>:** External Interrupt 0 Priority bits
  - 111 = Interrupt is Priority 7 (highest priority interrupt)
  - 
  - 
  - 
  - 001 = Interrupt is Priority 1
  - 000 = Interrupt source is disabled



# PIC24FJ64GB004 FAMILY

## REGISTER 7-18: IPC1: INTERRUPT PRIORITY CONTROL REGISTER 1

|        |       |       |       |       |        |        |        |
|--------|-------|-------|-------|-------|--------|--------|--------|
| U-0    | R/W-1 | R/W-0 | R/W-0 | U-0   | R/W-1  | R/W-0  | R/W-0  |
| —      | T2IP2 | T2IP1 | T2IP0 | —     | OC2IP2 | OC2IP1 | OC2IP0 |
| bit 15 |       |       |       | bit 8 |        |        |        |

|       |        |        |        |       |     |     |     |
|-------|--------|--------|--------|-------|-----|-----|-----|
| U-0   | R/W-1  | R/W-0  | R/W-0  | U-0   | U-0 | U-0 | U-0 |
| —     | IC2IP2 | IC2IP1 | IC2IP0 | —     | —   | —   | —   |
| bit 7 |        |        |        | bit 0 |     |     |     |

### Legend:

R = Readable bit

W = Writable bit

U = Unimplemented bit, read as '0'

-n = Value at POR

'1' = Bit is set

'0' = Bit is cleared

x = Bit is unknown

- bit 15      **Unimplemented:** Read as '0'
- bit 14-12    **T2IP<2:0>:** Timer2 Interrupt Priority bits  
 111 = Interrupt is Priority 7 (highest priority interrupt)  
 •  
 •  
 •  
 001 = Interrupt is Priority 1  
 000 = Interrupt source is disabled
- bit 11      **Unimplemented:** Read as '0'
- bit 10-8    **OC2IP<2:0>:** Output Compare Channel 2 Interrupt Priority bits  
 111 = Interrupt is Priority 7 (highest priority interrupt)  
 •  
 •  
 •  
 001 = Interrupt is Priority 1  
 000 = Interrupt source is disabled
- bit 7        **Unimplemented:** Read as '0'
- bit 6-4     **IC2IP<2:0>:** Input Capture Channel 2 Interrupt Priority bits  
 111 = Interrupt is Priority 7 (highest priority interrupt)  
 •  
 •  
 •  
 001 = Interrupt is Priority 1  
 000 = Interrupt source is disabled
- bit 3-0     **Unimplemented:** Read as '0'

# PIC24FJ64GB004 FAMILY

## REGISTER 7-19: IPC2: INTERRUPT PRIORITY CONTROL REGISTER 2

|        |         |         |         |     |         |         |         |
|--------|---------|---------|---------|-----|---------|---------|---------|
| U-0    | R/W-1   | R/W-0   | R/W-0   | U-0 | R/W-1   | R/W-0   | R/W-0   |
| —      | U1RXIP2 | U1RXIP1 | U1RXIP0 | —   | SPI1IP2 | SPI1IP1 | SPI1IP0 |
| bit 15 |         |         |         |     |         | bit 8   |         |

|       |         |         |         |     |       |       |       |
|-------|---------|---------|---------|-----|-------|-------|-------|
| U-0   | R/W-1   | R/W-0   | R/W-0   | U-0 | R/W-1 | R/W-0 | R/W-0 |
| —     | SPF1IP2 | SPF1IP1 | SPF1IP0 | —   | T3IP2 | T3IP1 | T3IP0 |
| bit 7 |         |         |         |     |       | bit 0 |       |

### Legend:

R = Readable bit

W = Writable bit

U = Unimplemented bit, read as '0'

-n = Value at POR

'1' = Bit is set

'0' = Bit is cleared

x = Bit is unknown

- bit 15      **Unimplemented:** Read as '0'
- bit 14-12    **U1RXIP<2:0>:** UART1 Receiver Interrupt Priority bits  
 111 = Interrupt is Priority 7 (highest priority interrupt)  
 •  
 •  
 •  
 001 = Interrupt is Priority 1  
 000 = Interrupt source is disabled
- bit 11      **Unimplemented:** Read as '0'
- bit 10-8    **SPI1IP<2:0>:** SPI1 Event Interrupt Priority bits  
 111 = Interrupt is Priority 7 (highest priority interrupt)  
 •  
 •  
 •  
 001 = Interrupt is Priority 1  
 000 = Interrupt source is disabled
- bit 7       **Unimplemented:** Read as '0'
- bit 6-4    **SPF1IP<2:0>:** SPI1 Fault Interrupt Priority bits  
 111 = Interrupt is Priority 7 (highest priority interrupt)  
 •  
 •  
 •  
 001 = Interrupt is Priority 1  
 000 = Interrupt source is disabled
- bit 3       **Unimplemented:** Read as '0'
- bit 2-0    **T3IP<2:0>:** Timer3 Interrupt Priority bits  
 111 = Interrupt is Priority 7 (highest priority interrupt)  
 •  
 •  
 •  
 001 = Interrupt is Priority 1  
 000 = Interrupt source is disabled

# PIC24FJ64GB004 FAMILY

## REGISTER 7-20: IPC3: INTERRUPT PRIORITY CONTROL REGISTER 3

|        |     |     |     |     |     |       |     |
|--------|-----|-----|-----|-----|-----|-------|-----|
| U-0    | U-0 | U-0 | U-0 | U-0 | U-0 | U-0   | U-0 |
| —      | —   | —   | —   | —   | —   | —     | —   |
| bit 15 |     |     |     |     |     | bit 8 |     |

|       |        |        |        |     |         |         |         |
|-------|--------|--------|--------|-----|---------|---------|---------|
| U-0   | R/W-1  | R/W-0  | R/W-0  | U-0 | R/W-1   | R/W-0   | R/W-0   |
| —     | AD1IP2 | AD1IP1 | AD1IP0 | —   | U1TXIP2 | U1TXIP1 | U1TXIP0 |
| bit 7 |        |        |        |     |         | bit 0   |         |

### Legend:

R = Readable bit

W = Writable bit

U = Unimplemented bit, read as '0'

-n = Value at POR

'1' = Bit is set

'0' = Bit is cleared

x = Bit is unknown

bit 15-7     **Unimplemented:** Read as '0'

bit 6-4     **AD1IP<2:0>:** A/D Conversion Complete Interrupt Priority bits

111 = Interrupt is Priority 7 (highest priority interrupt)

•

•

•

001 = Interrupt is Priority 1

000 = Interrupt source is disabled

bit 3       **Unimplemented:** Read as '0'

bit 2-0     **U1TXIP<2:0>:** UART1 Transmitter Interrupt Priority bits

111 = Interrupt is Priority 7 (highest priority interrupt)

•

•

•

001 = Interrupt is Priority 1

000 = Interrupt source is disabled

# PIC24FJ64GB004 FAMILY

## REGISTER 7-21: IPC4: INTERRUPT PRIORITY CONTROL REGISTER 4

|        |       |       |       |     |       |       |       |
|--------|-------|-------|-------|-----|-------|-------|-------|
| U-0    | R/W-1 | R/W-0 | R/W-0 | U-0 | R/W-1 | R/W-0 | R/W-0 |
| —      | CNIP2 | CNIP1 | CNIP0 | —   | CMIP2 | CMIP1 | CMIP0 |
| bit 15 |       |       |       |     |       |       | bit 8 |

|       |          |          |          |     |          |          |          |
|-------|----------|----------|----------|-----|----------|----------|----------|
| U-0   | R/W-1    | R/W-0    | R/W-0    | U-0 | R/W-1    | R/W-0    | R/W-0    |
| —     | MI2C1IP2 | MI2C1IP1 | MI2C1IP0 | —   | SI2C1IP2 | SI2C1IP1 | SI2C1IP0 |
| bit 7 |          |          |          |     |          |          | bit 0    |

### Legend:

R = Readable bit                      W = Writable bit                      U = Unimplemented bit, read as '0'  
 -n = Value at POR                      '1' = Bit is set                      '0' = Bit is cleared                      x = Bit is unknown

- bit 15                      **Unimplemented:** Read as '0'
- bit 14-12                **CNIP<2:0>:** Input Change Notification Interrupt Priority bits
  - 111 = Interrupt is Priority 7 (highest priority interrupt)
  - 
  - 
  - 
  - 001 = Interrupt is Priority 1
  - 000 = Interrupt source is disabled
- bit 11                    **Unimplemented:** Read as '0'
- bit 10-8                **CMIP<2:0>:** Comparator Interrupt Priority bits
  - 111 = Interrupt is Priority 7 (highest priority interrupt)
  - 
  - 
  - 
  - 001 = Interrupt is Priority 1
  - 000 = Interrupt source is disabled
- bit 7                     **Unimplemented:** Read as '0'
- bit 6-4                 **MI2C1IP<2:0>:** Master I2C1 Event Interrupt Priority bits
  - 111 = Interrupt is Priority 7 (highest priority interrupt)
  - 
  - 
  - 
  - 001 = Interrupt is Priority 1
  - 000 = Interrupt source is disabled
- bit 3                    **Unimplemented:** Read as '0'
- bit 2-0                **SI2C1IP<2:0>:** Slave I2C1 Event Interrupt Priority bits
  - 111 = Interrupt is Priority 7 (highest priority interrupt)
  - 
  - 
  - 
  - 001 = Interrupt is Priority 1
  - 000 = Interrupt source is disabled

# PIC24FJ64GB004 FAMILY

## REGISTER 7-22: IPC5: INTERRUPT PRIORITY CONTROL REGISTER 5

|        |     |     |     |     |     |       |     |
|--------|-----|-----|-----|-----|-----|-------|-----|
| U-0    | U-0 | U-0 | U-0 | U-0 | U-0 | U-0   | U-0 |
| —      | —   | —   | —   | —   | —   | —     | —   |
| bit 15 |     |     |     |     |     | bit 8 |     |

|       |     |     |     |     |         |         |         |
|-------|-----|-----|-----|-----|---------|---------|---------|
| U-0   | U-0 | U-0 | U-0 | U-0 | R/W-1   | R/W-0   | R/W-0   |
| —     | —   | —   | —   | —   | INT1IP2 | INT1IP1 | INT1IP0 |
| bit 7 |     |     |     |     | bit 0   |         |         |

### Legend:

R = Readable bit

W = Writable bit

U = Unimplemented bit, read as '0'

-n = Value at POR

'1' = Bit is set

'0' = Bit is cleared

x = Bit is unknown

bit 15-3 **Unimplemented:** Read as '0'

bit 2-0 **INT1IP<2:0>:** External Interrupt 1 Priority bits

- 111 = Interrupt is Priority 7 (highest priority interrupt)
- 
- 
- 
- 001 = Interrupt is Priority 1
- 000 = Interrupt source is disabled

# PIC24FJ64GB004 FAMILY

## REGISTER 7-23: IPC6: INTERRUPT PRIORITY CONTROL REGISTER 6

|        |       |       |       |     |        |        |        |
|--------|-------|-------|-------|-----|--------|--------|--------|
| U-0    | R/W-1 | R/W-0 | R/W-0 | U-0 | R/W-1  | R/W-0  | R/W-0  |
| —      | T4IP2 | T4IP1 | T4IP0 | —   | OC4IP2 | OC4IP1 | OC4IP0 |
| bit 15 |       |       |       |     |        | bit 8  |        |

|       |        |        |        |     |     |       |     |
|-------|--------|--------|--------|-----|-----|-------|-----|
| U-0   | R/W-1  | R/W-0  | R/W-0  | U-0 | U-0 | U-0   | U-0 |
| —     | OC3IP2 | OC3IP1 | OC3IP0 | —   | —   | —     | —   |
| bit 7 |        |        |        |     |     | bit 0 |     |

### Legend:

R = Readable bit                      W = Writable bit                      U = Unimplemented bit, read as '0'  
 -n = Value at POR                      '1' = Bit is set                      '0' = Bit is cleared                      x = Bit is unknown

- bit 15                      **Unimplemented:** Read as '0'
- bit 14-12                **T4IP<2:0>:** Timer4 Interrupt Priority bits
  - 111 = Interrupt is Priority 7 (highest priority interrupt)
  - 
  - 
  - 
  - 001 = Interrupt is Priority 1
  - 000 = Interrupt source is disabled
- bit 11                    **Unimplemented:** Read as '0'
- bit 10-8                **OC4IP<2:0>:** Output Compare Channel 4 Interrupt Priority bits
  - 111 = Interrupt is Priority 7 (highest priority interrupt)
  - 
  - 
  - 
  - 001 = Interrupt is Priority 1
  - 000 = Interrupt source is disabled
- bit 7                     **Unimplemented:** Read as '0'
- bit 6-4                **OC3IP<2:0>:** Output Compare Channel 3 Interrupt Priority bits
  - 111 = Interrupt is Priority 7 (highest priority interrupt)
  - 
  - 
  - 
  - 001 = Interrupt is Priority 1
  - 000 = Interrupt source is disabled
- bit 3-0                 **Unimplemented:** Read as '0'

# PIC24FJ64GB004 FAMILY

## REGISTER 7-24: IPC7: INTERRUPT PRIORITY CONTROL REGISTER 7

|        |         |         |         |       |         |         |         |
|--------|---------|---------|---------|-------|---------|---------|---------|
| U-0    | R/W-1   | R/W-0   | R/W-0   | U-0   | R/W-1   | R/W-0   | R/W-0   |
| —      | U2TXIP2 | U2TXIP1 | U2TXIP0 | —     | U2RXIP2 | U2RXIP1 | U2RXIP0 |
| bit 15 |         |         |         | bit 8 |         |         |         |

|       |         |         |         |       |       |       |       |
|-------|---------|---------|---------|-------|-------|-------|-------|
| U-0   | R/W-1   | R/W-0   | R/W-0   | U-0   | R/W-1 | R/W-0 | R/W-0 |
| —     | INT2IP2 | INT2IP1 | INT2IP0 | —     | T5IP2 | T5IP1 | T5IP0 |
| bit 7 |         |         |         | bit 0 |       |       |       |

### Legend:

R = Readable bit                      W = Writable bit                      U = Unimplemented bit, read as '0'  
 -n = Value at POR                      '1' = Bit is set                      '0' = Bit is cleared                      x = Bit is unknown

- bit 15            **Unimplemented:** Read as '0'
- bit 14-12        **U2TXIP<2:0>:** UART2 Transmitter Interrupt Priority bits  
                   111 = Interrupt is Priority 7 (highest priority interrupt)  
                   •  
                   •  
                   •  
                   001 = Interrupt is Priority 1  
                   000 = Interrupt source is disabled
- bit 11            **Unimplemented:** Read as '0'
- bit 10-8         **U2RXIP<2:0>:** UART2 Receiver Interrupt Priority bits  
                   111 = Interrupt is Priority 7 (highest priority interrupt)  
                   •  
                   •  
                   •  
                   001 = Interrupt is Priority 1  
                   000 = Interrupt source is disabled
- bit 7             **Unimplemented:** Read as '0'
- bit 6-4          **INT2IP<2:0>:** External Interrupt 2 Priority bits  
                   111 = Interrupt is Priority 7 (highest priority interrupt)  
                   •  
                   •  
                   •  
                   001 = Interrupt is Priority 1  
                   000 = Interrupt source is disabled
- bit 3             **Unimplemented:** Read as '0'
- bit 2-0          **T5IP<2:0>:** Timer5 Interrupt Priority bits  
                   111 = Interrupt is Priority 7 (highest priority interrupt)  
                   •  
                   •  
                   •  
                   001 = Interrupt is Priority 1  
                   000 = Interrupt source is disabled

# PIC24FJ64GB004 FAMILY

## REGISTER 7-25: IPC8: INTERRUPT PRIORITY CONTROL REGISTER 8

|        |     |     |     |     |     |     |       |
|--------|-----|-----|-----|-----|-----|-----|-------|
| U-0    | U-0 | U-0 | U-0 | U-0 | U-0 | U-0 | U-0   |
| —      | —   | —   | —   | —   | —   | —   | —     |
| bit 15 |     |     |     |     |     |     | bit 8 |

|       |         |         |         |     |         |         |         |
|-------|---------|---------|---------|-----|---------|---------|---------|
| U-0   | R/W-1   | R/W-0   | R/W-0   | U-0 | R/W-1   | R/W-0   | R/W-0   |
| —     | SPI2IP2 | SPI2IP1 | SPI2IP0 | —   | SPF2IP2 | SPF2IP1 | SPF2IP0 |
| bit 7 |         |         |         |     |         |         | bit 0   |

### Legend:

R = Readable bit

W = Writable bit

U = Unimplemented bit, read as '0'

-n = Value at POR

'1' = Bit is set

'0' = Bit is cleared

x = Bit is unknown

bit 15-7 **Unimplemented:** Read as '0'

bit 6-4 **SPI2IP<2:0>:** SPI2 Event Interrupt Priority bits

111 = Interrupt is Priority 7 (highest priority interrupt)

•  
•  
•

001 = Interrupt is Priority 1

000 = Interrupt source is disabled

bit 3 **Unimplemented:** Read as '0'

bit 2-0 **SPF2IP<2:0>:** SPI2 Fault Interrupt Priority bits

111 = Interrupt is Priority 7 (highest priority interrupt)

•  
•  
•

001 = Interrupt is Priority 1

000 = Interrupt source is disabled



# PIC24FJ64GB004 FAMILY

## REGISTER 7-26: IPC9: INTERRUPT PRIORITY CONTROL REGISTER 9

|        |        |        |        |       |        |        |        |
|--------|--------|--------|--------|-------|--------|--------|--------|
| U-0    | R/W-1  | R/W-0  | R/W-0  | U-0   | R/W-1  | R/W-0  | R/W-0  |
| —      | IC5IP2 | IC5IP1 | IC5IP0 | —     | IC4IP2 | IC4IP1 | IC4IP0 |
| bit 15 |        |        |        | bit 8 |        |        |        |

|       |        |        |        |       |     |     |     |
|-------|--------|--------|--------|-------|-----|-----|-----|
| U-0   | R/W-1  | R/W-0  | R/W-0  | U-0   | U-0 | U-0 | U-0 |
| —     | IC3IP2 | IC3IP1 | IC3IP0 | —     | —   | —   | —   |
| bit 7 |        |        |        | bit 0 |     |     |     |

### Legend:

|                   |                  |                                    |
|-------------------|------------------|------------------------------------|
| R = Readable bit  | W = Writable bit | U = Unimplemented bit, read as '0' |
| -n = Value at POR | '1' = Bit is set | '0' = Bit is cleared               |
|                   |                  | x = Bit is unknown                 |

- bit 15      **Unimplemented:** Read as '0'
- bit 14-12    **IC5IP<2:0>:** Input Capture Channel 5 Interrupt Priority bits  
 111 = Interrupt is Priority 7 (highest priority interrupt)  
 •  
 •  
 •  
 001 = Interrupt is Priority 1  
 000 = Interrupt source is disabled
- bit 11      **Unimplemented:** Read as '0'
- bit 10-8    **IC4IP<2:0>:** Input Capture Channel 4 Interrupt Priority bits  
 111 = Interrupt is Priority 7 (highest priority interrupt)  
 •  
 •  
 •  
 001 = Interrupt is Priority 1  
 000 = Interrupt source is disabled
- bit 7        **Unimplemented:** Read as '0'
- bit 6-4     **IC3IP<2:0>:** Input Capture Channel 3 Interrupt Priority bits  
 111 = Interrupt is Priority 7 (highest priority interrupt)  
 •  
 •  
 •  
 001 = Interrupt is Priority 1  
 000 = Interrupt source is disabled
- bit 3-0     **Unimplemented:** Read as '0'

# PIC24FJ64GB004 FAMILY

## REGISTER 7-27: IPC10: INTERRUPT PRIORITY CONTROL REGISTER 10

|        |     |     |     |     |     |     |       |
|--------|-----|-----|-----|-----|-----|-----|-------|
| U-0    | U-0 | U-0 | U-0 | U-0 | U-0 | U-0 | U-0   |
| —      | —   | —   | —   | —   | —   | —   | —     |
| bit 15 |     |     |     |     |     |     | bit 8 |

|       |        |        |        |     |     |     |       |
|-------|--------|--------|--------|-----|-----|-----|-------|
| U-0   | R/W-1  | R/W-0  | R/W-0  | U-0 | U-0 | U-0 | U-0   |
| —     | OC5IP2 | OC5IP1 | OC5IP0 | —   | —   | —   | —     |
| bit 7 |        |        |        |     |     |     | bit 0 |

### Legend:

|                   |                  |                                              |
|-------------------|------------------|----------------------------------------------|
| R = Readable bit  | W = Writable bit | U = Unimplemented bit, read as '0'           |
| -n = Value at POR | '1' = Bit is set | '0' = Bit is cleared      x = Bit is unknown |

- bit 15-7      **Unimplemented:** Read as '0'
- bit 6-4      **OC5IP<2:0>:** Output Compare Channel 5 Interrupt Priority bits
  - 111 = Interrupt is Priority 7 (highest priority interrupt)
  - 
  - 
  - 
  - 001 = Interrupt is Priority 1
  - 000 = Interrupt source is disabled
- bit 3-0      **Unimplemented:** Read as '0'

# PIC24FJ64GB004 FAMILY

## REGISTER 7-28: IPC11: INTERRUPT PRIORITY CONTROL REGISTER 11

|        |     |     |     |     |     |     |       |
|--------|-----|-----|-----|-----|-----|-----|-------|
| U-0    | U-0 | U-0 | U-0 | U-0 | U-0 | U-0 | U-0   |
| —      | —   | —   | —   | —   | —   | —   | —     |
| bit 15 |     |     |     |     |     |     | bit 8 |

|       |        |        |        |     |     |     |       |
|-------|--------|--------|--------|-----|-----|-----|-------|
| U-0   | R/W-1  | R/W-0  | R/W-0  | U-0 | U-0 | U-0 | U-0   |
| —     | PMPIP2 | PMPIP1 | PMPIP0 | —   | —   | —   | —     |
| bit 7 |        |        |        |     |     |     | bit 0 |

### Legend:

R = Readable bit

W = Writable bit

U = Unimplemented bit, read as '0'

-n = Value at POR

'1' = Bit is set

'0' = Bit is cleared

x = Bit is unknown

bit 15-7 **Unimplemented:** Read as '0'

bit 6-4 **PMPIP<2:0>:** Parallel Master Port Interrupt Priority bits

111 = Interrupt is Priority 7 (highest priority interrupt)

•  
•  
•

001 = Interrupt is Priority 1

000 = Interrupt source is disabled

bit 3-0 **Unimplemented:** Read as '0'

# PIC24FJ64GB004 FAMILY

## REGISTER 7-29: IPC12: INTERRUPT PRIORITY CONTROL REGISTER 12

|        |     |     |     |     |          |          |          |
|--------|-----|-----|-----|-----|----------|----------|----------|
| U-0    | U-0 | U-0 | U-0 | U-0 | R/W-1    | R/W-0    | R/W-0    |
| —      | —   | —   | —   | —   | MI2C2IP2 | MI2C2IP1 | MI2C2IP0 |
| bit 15 |     |     |     |     |          | bit 8    |          |

|       |          |          |          |     |     |       |     |
|-------|----------|----------|----------|-----|-----|-------|-----|
| U-0   | R/W-1    | R/W-0    | R/W-0    | U-0 | U-0 | U-0   | U-0 |
| —     | SI2C2IP2 | SI2C2IP1 | SI2C2IP0 | —   | —   | —     | —   |
| bit 7 |          |          |          |     |     | bit 0 |     |

### Legend:

|                   |                  |                                              |
|-------------------|------------------|----------------------------------------------|
| R = Readable bit  | W = Writable bit | U = Unimplemented bit, read as '0'           |
| -n = Value at POR | '1' = Bit is set | '0' = Bit is cleared      x = Bit is unknown |

- bit 15-11      **Unimplemented:** Read as '0'
- bit 10-8      **MI2C2IP<2:0>:** Master I2C2 Event Interrupt Priority bits
  - 111 = Interrupt is Priority 7 (highest priority interrupt)
  - 
  - 
  - 
  - 001 = Interrupt is Priority 1
  - 000 = Interrupt source is disabled
- bit 7          **Unimplemented:** Read as '0'
- bit 6-4      **SI2C2IP<2:0>:** Slave I2C2 Event Interrupt Priority bits
  - 111 = Interrupt is Priority 7 (highest priority interrupt)
  - 
  - 
  - 
  - 001 = Interrupt is Priority 1
  - 000 = Interrupt source is disabled
- bit 3-0      **Unimplemented:** Read as '0'

# PIC24FJ64GB004 FAMILY

## REGISTER 7-30: IPC15: INTERRUPT PRIORITY CONTROL REGISTER 15

|        |     |     |     |     |        |        |        |
|--------|-----|-----|-----|-----|--------|--------|--------|
| U-0    | U-0 | U-0 | U-0 | U-0 | R/W-1  | R/W-0  | R/W-0  |
| —      | —   | —   | —   | —   | RTCIP2 | RTCIP1 | RTCIP0 |
| bit 15 |     |     |     |     |        | bit 8  |        |

|       |     |     |     |     |     |       |     |
|-------|-----|-----|-----|-----|-----|-------|-----|
| U-0   | U-0 | U-0 | U-0 | U-0 | U-0 | U-0   | U-0 |
| —     | —   | —   | —   | —   | —   | —     | —   |
| bit 7 |     |     |     |     |     | bit 0 |     |

### Legend:

R = Readable bit

W = Writable bit

U = Unimplemented bit, read as '0'

-n = Value at POR

'1' = Bit is set

'0' = Bit is cleared

x = Bit is unknown

bit 15-11 **Unimplemented:** Read as '0'

bit 10-8 **RTCIP<2:0>:** Real-Time Clock/Calendar Interrupt Priority bits

111 = Interrupt is Priority 7 (highest priority interrupt)

•

•

•

001 = Interrupt is Priority 1

000 = Interrupt source is disabled

bit 7-0 **Unimplemented:** Read as '0'

# PIC24FJ64GB004 FAMILY

## REGISTER 7-31: IPC16: INTERRUPT PRIORITY CONTROL REGISTER 16

|        |        |        |        |     |         |         |         |
|--------|--------|--------|--------|-----|---------|---------|---------|
| U-0    | R/W-1  | R/W-0  | R/W-0  | U-0 | R/W-1   | R/W-0   | R/W-0   |
| —      | CRCIP2 | CRCIP1 | CRCIP0 | —   | U2ERIP2 | U2ERIP1 | U2ERIP0 |
| bit 15 |        |        |        |     |         | bit 8   |         |

|       |         |         |         |     |     |       |     |
|-------|---------|---------|---------|-----|-----|-------|-----|
| U-0   | R/W-1   | R/W-0   | R/W-0   | U-0 | U-0 | U-0   | U-0 |
| —     | U1ERIP2 | U1ERIP1 | U1ERIP0 | —   | —   | —     | —   |
| bit 7 |         |         |         |     |     | bit 0 |     |

### Legend:

R = Readable bit

W = Writable bit

U = Unimplemented bit, read as '0'

-n = Value at POR

'1' = Bit is set

'0' = Bit is cleared

x = Bit is unknown

- bit 15      **Unimplemented:** Read as '0'
- bit 14-12    **CRCIP<2:0>:** CRC Generator Error Interrupt Priority bits  
               111 = Interrupt is Priority 7 (highest priority interrupt)  
               •  
               •  
               •  
               001 = Interrupt is Priority 1  
               000 = Interrupt source is disabled
- bit 11      **Unimplemented:** Read as '0'
- bit 10-8    **U2ERIP<2:0>:** UART2 Error Interrupt Priority bits  
               111 = Interrupt is Priority 7 (highest priority interrupt)  
               •  
               •  
               •  
               001 = Interrupt is Priority 1  
               000 = Interrupt source is disabled
- bit 7        **Unimplemented:** Read as '0'
- bit 6-4     **U1ERIP<2:0>:** UART1 Error Interrupt Priority bits  
               111 = Interrupt is Priority 7 (highest priority interrupt)  
               •  
               •  
               •  
               001 = Interrupt is Priority 1  
               000 = Interrupt source is disabled
- bit 3-0     **Unimplemented:** Read as '0'

# PIC24FJ64GB004 FAMILY

## REGISTER 7-32: IPC18: INTERRUPT PRIORITY CONTROL REGISTER 18

|        |     |     |     |     |     |     |       |
|--------|-----|-----|-----|-----|-----|-----|-------|
| U-0    | U-0 | U-0 | U-0 | U-0 | U-0 | U-0 | U-0   |
| —      | —   | —   | —   | —   | —   | —   | —     |
| bit 15 |     |     |     |     |     |     | bit 8 |

|       |     |     |     |     |        |        |        |
|-------|-----|-----|-----|-----|--------|--------|--------|
| U-0   | U-0 | U-0 | U-0 | U-0 | R/W-1  | R/W-0  | R/W-0  |
| —     | —   | —   | —   | —   | LVDIP2 | LVDIP1 | LVDIP0 |
| bit 7 |     |     |     |     |        |        | bit 0  |

### Legend:

R = Readable bit

W = Writable bit

U = Unimplemented bit, read as '0'

-n = Value at POR

'1' = Bit is set

'0' = Bit is cleared

x = Bit is unknown

bit 15-3 **Unimplemented:** Read as '0'

bit 2-0 **LVDIP<2:0>:** Low-Voltage Detect Interrupt Priority bits

111 = Interrupt is Priority 7 (highest priority interrupt)

•

•

•

001 = Interrupt is Priority 1

000 = Interrupt source is disabled

## REGISTER 7-33: IPC19: INTERRUPT PRIORITY CONTROL REGISTER 19

|        |     |     |     |     |     |     |       |
|--------|-----|-----|-----|-----|-----|-----|-------|
| U-0    | U-0 | U-0 | U-0 | U-0 | U-0 | U-0 | U-0   |
| —      | —   | —   | —   | —   | —   | —   | —     |
| bit 15 |     |     |     |     |     |     | bit 8 |

|       |         |         |         |     |     |     |       |
|-------|---------|---------|---------|-----|-----|-----|-------|
| U-0   | R/W-1   | R/W-0   | R/W-0   | U-0 | U-0 | U-0 | U-0   |
| —     | CTMUIP2 | CTMUIP1 | CTMUIP0 | —   | —   | —   | —     |
| bit 7 |         |         |         |     |     |     | bit 0 |

### Legend:

R = Readable bit

W = Writable bit

U = Unimplemented bit, read as '0'

-n = Value at POR

'1' = Bit is set

'0' = Bit is cleared

x = Bit is unknown

bit 15-7 **Unimplemented:** Read as '0'

bit 6-4 **CTMUIP<2:0>:** CTMU Interrupt Priority bits

111 = Interrupt is Priority 7 (highest priority interrupt)

•

•

•

001 = Interrupt is Priority 1

000 = Interrupt source is disabled

bit 3-0 **Unimplemented:** Read as '0'

# PIC24FJ64GB004 FAMILY

## REGISTER 7-34: IPC21: INTERRUPT PRIORITY CONTROL REGISTER 21

|        |     |     |     |     |         |         |         |
|--------|-----|-----|-----|-----|---------|---------|---------|
| U-0    | U-0 | U-0 | U-0 | U-0 | R/W-0   | R/W-0   | R/W-0   |
| —      | —   | —   | —   | —   | USB1IP2 | USB1IP1 | USB1IP0 |
| bit 15 |     |     |     |     |         |         | bit 8   |

|       |     |     |     |     |     |     |       |
|-------|-----|-----|-----|-----|-----|-----|-------|
| U-0   | U-0 | U-0 | U-0 | U-0 | U-0 | U-0 | U-0   |
| —     | —   | —   | —   | —   | —   | —   | —     |
| bit 7 |     |     |     |     |     |     | bit 0 |

### Legend:

|                   |                  |                                              |
|-------------------|------------------|----------------------------------------------|
| R = Readable bit  | W = Writable bit | U = Unimplemented bit, read as '0'           |
| -n = Value at POR | '1' = Bit is set | '0' = Bit is cleared      x = Bit is unknown |

bit 15-11      **Unimplemented:** Read as '0'

bit 10-8      **USB1IP<2:0>:** USB Interrupt Priority bits  
                  111 = Interrupt is Priority 7 (highest priority interrupt)  
                  •  
                  •  
                  001 = Interrupt is Priority 1  
                  000 = Interrupt source is disabled

bit 7-0      **Unimplemented:** Read as '0'



# PIC24FJ64GB004 FAMILY

## REGISTER 7-35: INTTREG: INTERRUPT CONTROL AND STATUS REGISTER

|        |     |       |     |      |      |      |       |
|--------|-----|-------|-----|------|------|------|-------|
| R-0    | U-0 | R/W-0 | U-0 | R-0  | R-0  | R-0  | R-0   |
| CPUIRQ | —   | VHOLD | —   | ILR3 | ILR2 | ILR1 | ILR0  |
| bit 15 |     |       |     |      |      |      | bit 8 |

|       |         |         |         |         |         |         |         |
|-------|---------|---------|---------|---------|---------|---------|---------|
| U-0   | R-0     | R-0     | R-0     | R-0     | R-0     | R-0     | R-0     |
| —     | VECNUM6 | VECNUM5 | VECNUM4 | VECNUM3 | VECNUM2 | VECNUM1 | VECNUM0 |
| bit 7 |         |         |         |         |         |         | bit 0   |

### Legend:

R = Readable bit

W = Writable bit

U = Unimplemented bit, read as '0'

-n = Value at POR

'1' = Bit is set

'0' = Bit is cleared

x = Bit is unknown

- bit 15      **CPUIRQ:** Interrupt Request from Interrupt Controller CPU bit  
 1 = An interrupt request has occurred but has not yet been Acknowledged by the CPU; this happens when the CPU priority is higher than the interrupt priority  
 0 = No interrupt request is unacknowledged
- bit 14      Unimplemented: Read as '0'
- bit 13      **VHOLD:** Vector Number Capture Configuration bit  
 1 = The VECNUM bits contain the value of the highest priority pending interrupt  
 0 = The VECNUM bits contain the value of the last Acknowledged interrupt (i.e., the last interrupt that has occurred with higher priority than the CPU, even if other interrupts are pending)
- bit 12      Unimplemented: Read as '0'
- bit 11-8    **ILR<3:0>:** New CPU Interrupt Priority Level bits  
 1111 = CPU Interrupt Priority Level is 15  
 •  
 •  
 •  
 0001 = CPU Interrupt Priority Level is 1  
 0000 = CPU Interrupt Priority Level is 0
- bit 7        Unimplemented: Read as '0'
- bit 6-0     **VECNUM<6:0>:** Pending Interrupt Vector ID bits (pending vector number is VECNUM + 8)  
 0111111 = Interrupt vector pending is Number 135  
 •  
 •  
 •  
 0000001 = Interrupt vector pending is Number 9  
 0000000 = Interrupt vector pending is Number 8

# PIC24FJ64GB004 FAMILY

---

## 7.4 Interrupt Setup Procedures

### 7.4.1 INITIALIZATION

To configure an interrupt source:

1. Set the NSTDIS control bit (INTCON1<15>) if nested interrupts are not desired.
2. Select the user-assigned priority level for the interrupt source by writing the control bits in the appropriate IPCx register. The priority level will depend on the specific application and type of interrupt source. If multiple priority levels are not desired, the IPCx register control bits for all enabled interrupt sources may be programmed to the same non-zero value.

**Note:** At a device Reset, the IPCx registers are initialized, such that all user interrupt sources are assigned to Priority Level 4.

3. Clear the interrupt flag status bit associated with the peripheral in the associated IFSx register.
4. Enable the interrupt source by setting the interrupt enable control bit associated with the source in the appropriate IECx register.

### 7.4.2 INTERRUPT SERVICE ROUTINE

The method that is used to declare an ISR and initialize the IVT with the correct vector address will depend on the programming language (i.e., 'C' or assembler) and the language development toolsuite that is used to develop the application. In general, the user must clear the interrupt flag in the appropriate IFSx register for the source of the interrupt that the ISR handles. Otherwise, the ISR will be re-entered immediately after exiting the routine. If the ISR is coded in assembly language, it must be terminated using a RETFIE instruction to unstack the saved PC value, SRL value and old CPU priority level.

### 7.4.3 TRAP SERVICE ROUTINE

A Trap Service Routine (TSR) is coded like an ISR, except that the appropriate trap status flag in the INTCON1 register must be cleared to avoid re-entry into the TSR.

### 7.4.4 INTERRUPT DISABLE

All user interrupts can be disabled using the following procedure:

1. Push the current SR value onto the software stack using the PUSH instruction.
2. Force the CPU to Priority Level 7 by inclusive ORing the value OEh with SRL.

To enable user interrupts, the POP instruction may be used to restore the previous SR value.

Note that only user interrupts with a priority level of 7 or less can be disabled. Trap sources (Level 8-15) cannot be disabled.

The DISI instruction provides a convenient way to disable interrupts of Priority Levels 1-6 for a fixed period of time. Level 7 interrupt sources are not disabled by the DISI instruction.

# PIC24FJ64GB004 FAMILY

## 8.0 OSCILLATOR CONFIGURATION

**Note:** This data sheet summarizes the features of this group of PIC24F devices. It is not intended to be a comprehensive reference source. For more information, refer to the "PIC24F Family Reference Manual", Section 6. "Oscillator" (DS39700).

The oscillator system for PIC24FJ64GB004 family devices has the following features:

- A total of four external and internal oscillator options as clock sources, providing 11 different clock modes

- An on-chip USB PLL block to provide a stable 48 MHz clock for the USB module, as well as a range of frequency options for the system clock
- Software-controllable switching between various clock sources
- Software-controllable postscaler for selective clocking of CPU for system power savings
- A Fail-Safe Clock Monitor (FSCM) that detects clock failure and permits safe application recovery or shutdown
- A separate and independently configurable system clock output for synchronizing external hardware

A simplified diagram of the oscillator system is shown in Figure 8-1.

**FIGURE 8-1: PIC24FJ64GB004 FAMILY CLOCK DIAGRAM**



# PIC24FJ64GB004 FAMILY

## 8.1 CPU Clocking Scheme

The system clock source can be provided by one of four sources:

- Primary Oscillator (POSC) on the OSCI and OSCO pins
- Secondary Oscillator (SOSC) on the SOSCI and SOSCO pins
- Fast Internal RC (FRC) Oscillator
- Low-Power Internal RC (LPRC) Oscillator

The primary oscillator and FRC sources have the option of using the internal USB PLL block, which generates both the USB module clock and a separate system clock from the 96 MHz PLL. Refer to **Section 8.5 “Oscillator Modes and USB Operation”** for additional information.

The Fast Internal RC (FRC) provides an 8 MHz clock source. It can optionally be reduced by the programmable clock divider to provide a range of system clock frequencies.

The selected clock source generates the processor and peripheral clock sources. The processor clock source is divided by two to produce the internal instruction cycle clock, Fcy. In this document, the instruction cycle clock is also denoted by Fosc/2. The internal instruction cycle clock, Fosc/2, can be provided on the OSCO I/O pin for some operating modes of the primary oscillator.

## 8.2 Initial Configuration on POR

The oscillator source (and operating mode) that is used at a device Power-on Reset event is selected using Configuration bit settings. The oscillator Configuration bit settings are located in the Configuration registers in the program memory (refer to **Section 26.1 “Configuration Bits”** for further details). The Primary Oscillator Configuration bits, POSCMD<1:0> (Configuration Word 2<1:0>), and the Initial Oscillator Select Configuration bits, FNOSC<2:0> (Configuration Word 2<10:8>), select the oscillator source that is used at a Power-on Reset. The FRC Primary Oscillator with Postscaler (FRCDIV) is the default (unprogrammed) selection. The secondary oscillator, or one of the internal oscillators, may be chosen by programming these bit locations.

The Configuration bits allow users to choose between the various clock modes, shown in Table 8-1.

### 8.2.1 CLOCK SWITCHING MODE CONFIGURATION BITS

The FCKSM Configuration bits (Configuration Word 2<7:6>) are used to jointly configure device clock switching and the Fail-Safe Clock Monitor (FSCM). Clock switching is enabled only when FCKSM1 is programmed ('0'). The FSCM is enabled only when the FCKSM<1:0> bits are both programmed ('00').

**TABLE 8-1: CONFIGURATION BIT VALUES FOR CLOCK SELECTION**

| Oscillator Mode                                 | Oscillator Source | POSCMD<1:0> | FNOSC<2:0> | Notes       |
|-------------------------------------------------|-------------------|-------------|------------|-------------|
| Fast RC Oscillator with Postscaler (FRCDIV)     | Internal          | 11          | 111        | <b>1, 2</b> |
| (Reserved)                                      | Internal          | xx          | 110        | <b>1</b>    |
| Low-Power RC Oscillator (LPRC)                  | Internal          | 11          | 101        | <b>1</b>    |
| Secondary (Timer1) Oscillator (SOSC)            | Secondary         | 11          | 100        | <b>1</b>    |
| Primary Oscillator (XT) with PLL Module (XTPLL) | Primary           | 01          | 011        |             |
| Primary Oscillator (EC) with PLL Module (ECPLL) | Primary           | 00          | 011        |             |
| Primary Oscillator (HS)                         | Primary           | 10          | 010        |             |
| Primary Oscillator (XT)                         | Primary           | 01          | 010        |             |
| Primary Oscillator (EC)                         | Primary           | 00          | 010        |             |
| Fast RC Oscillator with PLL Module (FRCPLL)     | Internal          | 11          | 001        | <b>1</b>    |
| Fast RC Oscillator (FRC)                        | Internal          | 11          | 000        | <b>1</b>    |

**Note 1:** OSCO pin function is determined by the OSCIOFCN Configuration bit.

**2:** This is the default oscillator mode for an unprogrammed (erased) device.

# PIC24FJ64GB004 FAMILY

## 8.3 Control Registers

The operation of the oscillator is controlled by three Special Function Registers (SFRs):

- OSCCON
- CLKDIV
- OSCTUN

The OSCCON register (Register 8-1) is the main control register for the oscillator. It controls clock source switching and allows the monitoring of clock sources.

The CLKDIV register (Register 8-2) controls the features associated with Doze mode, as well as the postscaler for the FRC Oscillator. The OSCTUN register (Register 8-3) allows the user to fine tune the FRC Oscillator over a range of approximately  $\pm 12\%$ .

### REGISTER 8-1: OSCCON: OSCILLATOR CONTROL REGISTER

|        |       |       |       |       |                      |                      |                      |
|--------|-------|-------|-------|-------|----------------------|----------------------|----------------------|
| U-0    | R-0   | R-0   | R-0   | U-0   | R/W-x <sup>(1)</sup> | R/W-x <sup>(1)</sup> | R/W-x <sup>(1)</sup> |
| —      | COSC2 | COSC1 | COSC0 | —     | NOSC2                | NOSC1                | NOSC0                |
| bit 15 |       |       |       | bit 8 |                      |                      |                      |

|         |                       |                    |     |        |        |        |       |
|---------|-----------------------|--------------------|-----|--------|--------|--------|-------|
| R/SO-0  | R/W-0                 | R-0 <sup>(3)</sup> | U-0 | R/CO-0 | R/W-0  | R/W-0  | R/W-0 |
| CLKLOCK | IOLOCK <sup>(2)</sup> | LOCK               | —   | CF     | POSCEN | SOSCEN | OSWEN |
| bit 7   |                       |                    |     | bit 0  |        |        |       |

|                   |                         |                                    |
|-------------------|-------------------------|------------------------------------|
| <b>Legend:</b>    | CO = Clearable Only bit | SO = Settable Only bit             |
| R = Readable bit  | W = Writable bit        | U = Unimplemented bit, read as '0' |
| -n = Value at POR | '1' = Bit is set        | '0' = Bit is cleared               |
|                   |                         | x = Bit is unknown                 |

bit 15 **Unimplemented:** Read as '0'

bit 14-12 **COSC<2:0>:** Current Oscillator Selection bits

- 111 = Fast RC Oscillator with Postscaler (FRCDIV)
- 110 = Reserved
- 101 = Low-Power RC Oscillator (LPRC)
- 100 = Secondary Oscillator (SOSC)
- 011 = Primary Oscillator with PLL module (XTPLL, HSPLL, ECPLL)
- 010 = Primary Oscillator (XT, HS, EC)
- 001 = Fast RC Oscillator with Postscaler and PLL module (FRCPLL)
- 000 = Fast RC Oscillator (FRC)

bit 11 **Unimplemented:** Read as '0'

bit 10-8 **NOSC<2:0>:** New Oscillator Selection bits<sup>(1)</sup>

- 111 = Fast RC Oscillator with Postscaler (FRCDIV)
- 110 = Reserved
- 101 = Low-Power RC Oscillator (LPRC)
- 100 = Secondary Oscillator (SOSC)
- 011 = Primary Oscillator with PLL module (XTPLL, HSPLL, ECPLL)
- 010 = Primary Oscillator (XT, HS, EC)
- 001 = Fast RC Oscillator with Postscaler and PLL module (FRCPLL)
- 000 = Fast RC Oscillator (FRC)

**Note 1:** Reset values for these bits are determined by the FNOSC Configuration bits.

**Note 2:** The state of the IOLOCK bit can only be changed once an unlocking sequence has been executed. In addition, if the IOL1WAY Configuration bit is '1', once the IOLOCK bit is set, it cannot be cleared.

**Note 3:** Also resets to '0' during any valid clock switch or whenever a non-PLL Clock mode is selected.

# PIC24FJ64GB004 FAMILY

---

## REGISTER 8-1: OSCCON: OSCILLATOR CONTROL REGISTER (CONTINUED)

- bit 7      **CLKLOCK:** Clock Selection Lock Enabled bit  
If FSCM is enabled (FCKSM1 = 1):  
1 = Clock and PLL selections are locked  
0 = Clock and PLL selections are not locked and may be modified by setting the OSWEN bit  
If FSCM is disabled (FCKSM1 = 0):  
Clock and PLL selections are never locked and may be modified by setting the OSWEN bit.
- bit 6      **IOLOCK:** I/O Lock Enable bit<sup>(2)</sup>  
1 = I/O lock is active  
0 = I/O lock is not active
- bit 5      **LOCK:** PLL Lock Status bit<sup>(3)</sup>  
1 = PLL module is in lock or PLL module start-up timer is satisfied  
0 = PLL module is out of lock, PLL start-up timer is running or PLL is disabled
- bit 4      **Unimplemented:** Read as '0'
- bit 3      **CF:** Clock Fail Detect bit  
1 = FSCM has detected a clock failure  
0 = No clock failure has been detected
- bit 2      **POSCEN:** Primary Oscillator Sleep Enable bit  
1 = Primary oscillator continues to operate during Sleep mode  
0 = Primary oscillator disabled during Sleep mode
- bit 1      **SOSCEN:** 32 kHz Secondary Oscillator (SOSC) Enable bit  
1 = Enable secondary oscillator  
0 = Disable secondary oscillator
- bit 0      **OSWEN:** Oscillator Switch Enable bit  
1 = Initiate an oscillator switch to the clock source specified by the NOSC<2:0> bits  
0 = Oscillator switch is complete

- Note 1:** Reset values for these bits are determined by the FNOSC Configuration bits.
- 2:** The state of the IOLOCK bit can only be changed once an unlocking sequence has been executed. In addition, if the IOL1WAY Configuration bit is '1', once the IOLOCK bit is set, it cannot be cleared.
- 3:** Also resets to '0' during any valid clock switch or whenever a non-PLL Clock mode is selected.

# PIC24FJ64GB004 FAMILY

## REGISTER 8-2: CLKDIV: CLOCK DIVIDER REGISTER

|        |       |       |       |                      |        |        |        |
|--------|-------|-------|-------|----------------------|--------|--------|--------|
| R/W-0  | R/W-0 | R/W-0 | R/W-0 | R/W-0                | R/W-0  | R/W-0  | R/W-1  |
| ROI    | DOZE2 | DOZE1 | DOZE0 | DOZEN <sup>(1)</sup> | RCDIV2 | RCDIV1 | RCDIV0 |
| bit 15 |       |       |       |                      |        |        | bit 8  |

|        |        |       |     |     |     |     |       |
|--------|--------|-------|-----|-----|-----|-----|-------|
| R/W-0  | R/W-0  | R/W-0 | U-0 | U-0 | U-0 | U-0 | U-0   |
| CPDIV1 | CPDIV0 | PLLEN | —   | —   | —   | —   | —     |
| bit 7  |        |       |     |     |     |     | bit 0 |

### Legend:

R = Readable bit                      W = Writable bit                      U = Unimplemented bit, read as '0'  
 -n = Value at POR                      '1' = Bit is set                      '0' = Bit is cleared                      x = Bit is unknown

- bit 15            **ROI:** Recover on Interrupt bit  
 1 = Interrupts clear the DOZEN bit and reset the CPU peripheral clock ratio to 1:1  
 0 = Interrupts have no effect on the DOZEN bit
- bit 14-12        **DOZE<2:0>:** CPU Peripheral Clock Ratio Select bits  
 111 = 1:128  
 110 = 1:64  
 101 = 1:32  
 100 = 1:16  
 011 = 1:8  
 010 = 1:4  
 001 = 1:2  
 000 = 1:1
- bit 11            **DOZEN:** DOZE Enable bit<sup>(1)</sup>  
 1 = DOZE<2:0> bits specify the CPU peripheral clock ratio  
 0 = CPU peripheral clock ratio is set to 1:1
- bit 10-8        **RCDIV<2:0>:** FRC Postscaler Select bits  
 111 = 31.25 kHz (divide-by-256)  
 110 = 125 kHz (divide-by-64)  
 101 = 250 kHz (divide-by-32)  
 100 = 500 kHz (divide-by-16)  
 011 = 1 MHz (divide-by-8)  
 010 = 2 MHz (divide-by-4)  
 001 = 4 MHz (divide-by-2)  
 000 = 8 MHz (divide-by-1)
- bit 7-6         **CPDIV<1:0>:** USB System Clock Select bits (postscaler select from 32 MHz clock branch)  
 11 = 4 MHz (divide-by-8)<sup>(2)</sup>  
 10 = 8 MHz (divide-by-4)<sup>(2)</sup>  
 01 = 16 MHz (divide-by-2)  
 00 = 32 MHz (divide-by-1)
- bit 5            **PLLEN:** 96 MHz PLL Enable bit  
 1 = Enable PLL  
 0 = Disable PLL
- bit 4-0         **Unimplemented:** Read as '0'

**Note 1:** This bit is automatically cleared when the ROI bit is set and an interrupt occurs.

**2:** This setting is not allowed while the USB module is enabled.

# PIC24FJ64GB004 FAMILY

## REGISTER 8-3: OSCTUN: FRC OSCILLATOR TUNE REGISTER

|        |     |     |     |     |     |     |       |
|--------|-----|-----|-----|-----|-----|-----|-------|
| U-0    | U-0 | U-0 | U-0 | U-0 | U-0 | U-0 | U-0   |
| —      | —   | —   | —   | —   | —   | —   | —     |
| bit 15 |     |     |     |     |     |     | bit 8 |

|       |     |                     |                     |                     |                     |                     |                     |
|-------|-----|---------------------|---------------------|---------------------|---------------------|---------------------|---------------------|
| U-0   | U-0 | R/W-0               | R/W-0               | R/W-0               | R/W-0               | R/W-0               | R/W-0               |
| —     | —   | TUN5 <sup>(1)</sup> | TUN4 <sup>(1)</sup> | TUN3 <sup>(1)</sup> | TUN2 <sup>(1)</sup> | TUN1 <sup>(1)</sup> | TUN0 <sup>(1)</sup> |
| bit 7 |     |                     |                     |                     |                     |                     | bit 0               |

### Legend:

R = Readable bit

W = Writable bit

U = Unimplemented bit, read as '0'

-n = Value at POR

'1' = Bit is set

'0' = Bit is cleared

x = Bit is unknown

bit 15-6

**Unimplemented:** Read as '0'

bit 5-0

**TUN<5:0>:** FRC Oscillator Tuning bits<sup>(1)</sup>

011111 = Maximum frequency deviation

011110 =

•

•

•

000001 =

000000 = Center frequency, oscillator is running at factory calibrated frequency

111111 =

•

•

•

100001 =

100000 = Minimum frequency deviation

**Note 1:** Increments or decrements of TUN<5:0> may not change the FRC frequency in equal steps over the FRC tuning range and may not be monotonic.

## 8.4 Clock Switching Operation

With few limitations, applications are free to switch between any of the four clock sources (POSC, SOSC, FRC and LPRC) under software control and at any time. To limit the possible side effects that could result from this flexibility, PIC24F devices have a safeguard lock built into the switching process.

**Note:** The Primary Oscillator mode has three different submodes (XT, HS and EC) which are determined by the POSCMDx Configuration bits. While an application can switch to and from Primary Oscillator mode in software, it cannot switch between the different primary submodes without reprogramming the device.

### 8.4.1 ENABLING CLOCK SWITCHING

To enable clock switching, the FCKSM Configuration bits in CW2 must be programmed to '00'. (Refer to **Section 26.1 "Configuration Bits"** for further details.) If the FCKSM Configuration bits are unprogrammed ('1x'), the clock switching function and Fail-Safe Clock Monitor function are disabled; this is the default setting.

The NOSCx control bits (OSCCON<10:8>) do not control the clock selection when clock switching is disabled. However, the COSCx bits (OSCCON<14:12>) will reflect the clock source selected by the FNOSCx Configuration bits.

The OSWEN control bit (OSCCON<0>) has no effect when clock switching is disabled; it is held at '0' at all times.



# PIC24FJ64GB004 FAMILY

## 8.4.2 OSCILLATOR SWITCHING SEQUENCE

At a minimum, performing a clock switch requires this basic sequence:

1. If desired, read the COSCx bits (OSCCON<14:12>) to determine the current oscillator source.
2. Perform the unlock sequence to allow a write to the OSCCON register high byte.
3. Write the appropriate value to the NOSCx bits (OSCCON<10:8>) for the new oscillator source.
4. Perform the unlock sequence to allow a write to the OSCCON register low byte.
5. Set the OSWEN bit to initiate the oscillator switch.

Once the basic sequence is completed, the system clock hardware responds automatically as follows:

1. The clock switching hardware compares the COSCx bits with the new value of the NOSCx bits. If they are the same, then the clock switch is a redundant operation. In this case, the OSWEN bit is cleared automatically and the clock switch is aborted.
2. If a valid clock switch has been initiated, the LOCK (OSCCON<5>) and CF (OSCCON<3>) bits are cleared.
3. The new oscillator is turned on by the hardware if it is not currently running. If a crystal oscillator must be turned on, the hardware will wait until the OST expires. If the new source is using the PLL, then the hardware waits until a PLL lock is detected (LOCK = 1).
4. The hardware waits for 10 clock cycles from the new clock source and then performs the clock switch.
5. The hardware clears the OSWEN bit to indicate a successful clock transition. In addition, the NOSCx bit values are transferred to the COSCx bits.
6. The old clock source is turned off at this time, with the exception of LPRC (if WDT or FSCM is enabled) or SOSC (if SOSSEN remains set).

**Note 1:** The processor will continue to execute code throughout the clock switching sequence. Timing-sensitive code should not be executed during this time.

- 2: Direct clock switches between any Primary Oscillator mode with PLL and FRCPLL mode are not permitted. This applies to clock switches in either direction. In these instances, the application must switch to FRC mode as a transition clock source between the two PLL modes.

A recommended code sequence for a clock switch includes the following:

1. Disable interrupts during the OSCCON register unlock and write sequence.
2. Execute the unlock sequence for the OSCCON high byte by writing 78h and 9Ah to OSCCON<15:8> in two back-to-back instructions.
3. Write new oscillator source to the NOSCx bits in the instruction immediately following the unlock sequence.
4. Execute the unlock sequence for the OSCCON low byte by writing 46h and 57h to OSCCON<7:0> in two back-to-back instructions.
5. Set the OSWEN bit in the instruction immediately following the unlock sequence.
6. Continue to execute code that is not clock-sensitive (optional).
7. Invoke an appropriate amount of software delay (cycle counting) to allow the selected oscillator and/or PLL to start and stabilize.
8. Check to see if OSWEN is '0'. If it is, the switch was successful. If OSWEN is still set, then check the LOCK bit to determine the cause of failure.

The core sequence for unlocking the OSCCON register and initiating a clock switch is shown in Example 8-1.

### EXAMPLE 8-1: BASIC CODE SEQUENCE FOR CLOCK SWITCHING

```
;Place the new oscillator selection in
w0
;OSCCONH (high byte) Unlock Sequence
MOV      #OSCCONH, w1
MOV      #0x78, w2
MOV      #0x9A, w3
MOV.b    w2, [w1]
MOV.b    w3, [w1]
;Set new oscillator selection
MOV.b    WREG, OSCCONH
;OSCCONL (low byte) unlock sequence
MOV      #OSCCONL, w1
MOV      #0x46, w2
MOV      #0x57, w3
MOV.b    w2, [w1]
MOV.b    w3, [w1]
;Start oscillator switch operation
BSET     OSCCON,#0
```

# PIC24FJ64GB004 FAMILY

## 8.5 Oscillator Modes and USB Operation

Because of the timing requirements imposed by USB, an internal clock of 48 MHz is required at all times while the USB module is enabled. Since this is well beyond the maximum CPU clock speed, a method is provided to internally generate both the USB and system clocks from a single oscillator source. PIC24FJ64GB004 family devices use the same clock structure as other PIC24FJ devices, but include a two-branch PLL system to generate the two clock signals.

The USB PLL block is shown in Figure 8-2. In this system, the input from the primary oscillator is divided down by a PLL prescaler to generate a 4 MHz output. This is used to drive an on-chip 96 MHz PLL frequency multiplier to drive the two clock branches. One branch uses a fixed, divide-by-2 frequency divider to generate the 48 MHz USB clock. The other branch uses a fixed, divide-by-3 frequency divider and configurable PLL prescaler/divider to generate a range of system clock frequencies. The CPDIV bits select the system clock speed; available clock options are listed in Table 8-2.

The USB PLL prescaler does not automatically sense the incoming oscillator frequency. The user must manually configure the PLL divider to generate the required 4 MHz output using the PLLDIV<2:0> Configuration bits. This limits the choices for primary oscillator frequency to a total of 8 possibilities, shown in Table 8-3.

**TABLE 8-2: SYSTEM CLOCK OPTIONS DURING USB OPERATION**

| MCU Clock Division (CPDIV<1:0>) | Microcontroller Clock Frequency |
|---------------------------------|---------------------------------|
| None (00)                       | 32 MHz                          |
| ÷2 (01)                         | 16 MHz                          |
| ÷4 (10)                         | 8 MHz                           |
| ÷8 (11)                         | 4 MHz                           |

**TABLE 8-3: VALID PRIMARY OSCILLATOR CONFIGURATIONS FOR USB OPERATIONS**

| Input Oscillator Frequency | Clock Mode   | PLL Division (PLLDIV<2:0>) |
|----------------------------|--------------|----------------------------|
| 48 MHz                     | ECPLL        | ÷12 (111)                  |
| 32 MHz                     | ECPLL        | ÷8 (110)                   |
| 24 MHz                     | HSPLL, ECPLL | ÷6 (101)                   |
| 20 MHz                     | HSPLL, ECPLL | ÷5 (100)                   |
| 16 MHz                     | HSPLL, ECPLL | ÷4 (011)                   |
| 12 MHz                     | HSPLL, ECPLL | ÷3 (010)                   |
| 8 MHz                      | XTPLL, ECPLL | ÷2 (001)                   |
| 4 MHz                      | XTPLL, ECPLL | ÷1 (000)                   |

**FIGURE 8-2: USB PLL BLOCK**



### 8.5.1 CONSIDERATIONS FOR USB OPERATION

When using the USB On-The-Go module in PIC24FJ64GB004 family devices, users must always observe these rules in configuring the system clock:

- For USB operation, the selected clock source (EC, HS or XT) must meet the USB clock tolerance requirements.
- The Primary Oscillator/PLL modes are the only oscillator configurations that permit USB operation. There is no provision to provide a separate external clock source to the USB module.
- All oscillator modes are available; however, USB operation is not possible when these modes are selected. They may still be useful in cases where other power levels of operation are desirable and the USB module is not needed (e.g., the application is Sleeping and waiting for bus attachment).

## 8.6 Secondary Oscillator (SOSC)

### 8.6.1 BASIC SOSC OPERATION

PIC24FJ64GB004 family devices do not have to set the SOSCEN bit to use the secondary oscillator. Any module requiring the SOSC (such as RTCC, Timer1 or DSWDT) will automatically turn on the SOSC when the clock signal is needed. The SOSC, however, has a long start-up time. To avoid delays for peripheral start-up, the SOSC can be manually started using the SOSCEN bit.

To use the secondary oscillator, the SOSCSEL<1:0> bits (CW3<9:8>) must be configured in an oscillator mode – either '11' or '01'. Setting SOSCSEL to '00' configures the SOSC pins for Digital mode, enabling digital I/O functionality on the pins. Digital functionality will not be available if the SOSC is configured in either of the oscillator modes.

### 8.6.2 LOW-POWER SOSC OPERATION

The secondary oscillator can operate in two distinct levels of power consumption based on device configuration. In Low-Power mode, the oscillator operates in a low drive strength, low-power state. By default, the oscillator uses a higher drive strength, and therefore, requires more power. The Secondary Oscillator Mode Configuration bits, SOSCSEL<1:0> (CW3<9:8>), determine the oscillator's power mode. Programming the SOSCSEL bits to '01' selects low-power operation.

The lower drive strength of this mode makes the SOSC more sensitive to noise and requires a longer start-up time. When Low-Power mode is used, care must be taken in the design and layout of the SOSC circuit to ensure that the oscillator starts up and oscillates properly.

### 8.6.3 EXTERNAL (DIGITAL) CLOCK MODE (SCLKI)

The SOSC can also be configured to run from an external 32 kHz clock source, rather than the internal oscillator. In this mode, also referred to as Digital mode, the clock source provided on the SCLKI pin is used to clock any modules that are configured to use the secondary oscillator. In this mode, the crystal driving circuit is disabled and the SOSCEN bit (OSCCON<1>) has no effect.

### 8.6.4 SOSC LAYOUT CONSIDERATIONS

The pinout limitations on low pin count devices, such as those in the PIC24FJ64GB004 family, may make the SOSC more susceptible to noise than other PIC24F devices. Unless proper care is taken in the design and layout of the SOSC circuit, this external noise may introduce inaccuracies into the oscillator's period.

In general, the crystal circuit connections should be as short as possible. It is also good practice to surround the crystal circuit with a ground loop or ground plane. For more information on crystal circuit design, please refer to **Section 6 "Oscillator"** (DS39700) of the "PIC24F Family Reference Manual". Additional information is also available in these Microchip Application Notes:

- AN826, "Crystal Oscillator Basics and Crystal Selection for rPIC® and PICmicro® Devices" (DS00826)
- AN849, "Basic PICmicro® Oscillator Design" (DS00849).

## 8.7 Reference Clock Output

In addition to the CLKO output (Fosc/2) available in certain oscillator modes, the device clock in the PIC24FJ64GB004 family devices can also be configured to provide a reference clock output signal to a port pin. This feature is available in all oscillator configurations and allows the user to select a greater range of clock submultiples to drive external devices in the application.

This reference clock output is controlled by the REFOCON register (Register 8-4). Setting the ROEN bit (REFOCON<15>) makes the clock signal available on the REFO pin. The RODIV bits (REFOCON<11:8>) enable the selection of 16 different clock divider options.

The ROSSLP and ROSEL bits (REFOCON<13:12>) control the availability of the reference output during Sleep mode. The ROSEL bit determines if the oscillator on OSC1 and OSC2, or the current system clock source, is used for the reference clock output. The ROSSLP bit determines if the reference source is available on REFO when the device is in Sleep mode.

To use the reference clock output in Sleep mode, both the ROSSLP and ROSEL bits must be set. The device clock must also be configured for one of the primary modes (EC, HS or XT); otherwise, if the POSCEN bit is not also set, the oscillator on OSC1 and OSC2 will be powered down when the device enters Sleep mode. Clearing the ROSEL bit allows the reference output frequency to change as the system clock changes during any clock switches.

# PIC24FJ64GB004 FAMILY

## REGISTER 8-4: REFOCON: REFERENCE OSCILLATOR CONTROL REGISTER

|        |     |        |       |        |        |        |        |
|--------|-----|--------|-------|--------|--------|--------|--------|
| R/W-0  | U-0 | R/W-0  | R/W-0 | R/W-0  | R/W-0  | R/W-0  | R/W-0  |
| ROEN   | —   | ROSSLP | ROSEL | RODIV3 | RODIV2 | RODIV1 | RODIV0 |
| bit 15 |     |        |       |        |        |        | bit 8  |

|       |     |     |     |     |     |     |       |
|-------|-----|-----|-----|-----|-----|-----|-------|
| U-0   | U-0 | U-0 | U-0 | U-0 | U-0 | U-0 | U-0   |
| —     | —   | —   | —   | —   | —   | —   | —     |
| bit 7 |     |     |     |     |     |     | bit 0 |

### Legend:

R = Readable bit

W = Writable bit

U = Unimplemented bit, read as '0'

-n = Value at POR

'1' = Bit is set

'0' = Bit is cleared

x = Bit is unknown

- bit 15      **ROEN:** Reference Oscillator Output Enable bit  
 1 = Reference oscillator is enabled on REFO pin  
 0 = Reference oscillator is disabled
- bit 14      **Unimplemented:** Read as '0'
- bit 13      **ROSSLP:** Reference Oscillator Output Stop in Sleep bit  
 1 = Reference oscillator continues to run in Sleep  
 0 = Reference oscillator is disabled in Sleep
- bit 12      **ROSEL:** Reference Oscillator Source Select bit  
 1 = Primary oscillator is used as the base clock. Note that the crystal oscillator must be enabled using the FOSC<2:0> bits; the crystal maintains the operation in Sleep mode.  
 0 = System clock used as the base clock; base clock reflects any clock switching of the device
- bit 11-8    **RODIV<3:0>:** Reference Oscillator Divisor Select bits  
 1111 = Base clock value divided by 32,768  
 1110 = Base clock value divided by 16,384  
 1101 = Base clock value divided by 8,192  
 1100 = Base clock value divided by 4,096  
 1011 = Base clock value divided by 2,048  
 1010 = Base clock value divided by 1,024  
 1001 = Base clock value divided by 512  
 1000 = Base clock value divided by 256  
 0111 = Base clock value divided by 128  
 0110 = Base clock value divided by 64  
 0101 = Base clock value divided by 32  
 0100 = Base clock value divided by 16  
 0011 = Base clock value divided by 8  
 0010 = Base clock value divided by 4  
 0001 = Base clock value divided by 2  
 0000 = Base clock value
- bit 7-0    **Unimplemented:** Read as '0'

# PIC24FJ64GB004 FAMILY

## 9.0 POWER-SAVING FEATURES

**Note:** This data sheet summarizes the features of this group of PIC24F devices. It is not intended to be a comprehensive reference source. For more information, refer to the “PIC24F Family Reference Manual”, **Section 39. “Power-Saving Features with Deep Sleep”** (DS39727).

The PIC24FJ64GB004 family of devices provides the ability to manage power consumption by selectively managing clocking to the CPU and the peripherals. In general, a lower clock frequency and a reduction in the number of circuits being clocked constitutes lower consumed power. All PIC24F devices manage power consumption in four different ways:

- Clock Frequency
- Instruction-Based Sleep, Idle and Deep Sleep modes
- Software Controlled Doze mode
- Selective Peripheral Control in Software

Combinations of these methods can be used to selectively tailor an application’s power consumption, while still maintaining critical application features, such as timing-sensitive communications.

### 9.1 Clock Frequency and Clock Switching

PIC24F devices allow for a wide range of clock frequencies to be selected under application control. If the system clock configuration is not locked, users can choose low-power or high-precision oscillators by simply changing the NOSC bits. The process of changing a system clock during operation, as well as limitations to the process, are discussed in more detail in **Section 8.0 “Oscillator Configuration”**.

### 9.2 Instruction-Based Power-Saving Modes

PIC24F devices have two special power-saving modes that are entered through the execution of a special `PWRSVAV` instruction. Sleep mode stops clock operation and halts all code execution; Idle mode halts the CPU and code execution, but allows peripheral modules to continue operation. Deep Sleep mode stops clock operation, code execution and all peripherals except RTCC and DSWDT. It also freezes I/O states and removes power to SRAM and Flash memory.

The assembly syntax of the `PWRSVAV` instruction is shown in Example 9-1.

**Note:** `SLEEP_MODE` and `IDLE_MODE` are constants defined in the assembler include file for the selected device.

Sleep and Idle modes can be exited as a result of an enabled interrupt, WDT time-out or a device Reset. When the device exits these modes, it is said to “wake-up”.

#### 9.2.1 SLEEP MODE

Sleep mode has these features:

- The system clock source is shut down. If an on-chip oscillator is used, it is turned off.
- The device current consumption will be reduced to a minimum provided that no I/O pin is sourcing current.
- The I/O pin directions and states are frozen.
- The Fail-Safe Clock Monitor does not operate during Sleep mode since the system clock source is disabled.
- The LPRC clock will continue to run in Sleep mode if the WDT or RTCC, with LPRC as clock source, is enabled.
- The WDT, if enabled, is automatically cleared prior to entering Sleep mode.
- Some device features or peripherals may continue to operate in Sleep mode. This includes items, such as the input change notification on the I/O ports, or peripherals that use an external clock input. Any peripheral that requires the system clock source for its operation will be disabled in Sleep mode.

The device will wake-up from Sleep mode on any of these events:

- On any interrupt source that is individually enabled
- On any form of device Reset
- On a WDT time-out

On wake-up from Sleep, the processor will restart with the same clock source that was active when Sleep mode was entered.

#### EXAMPLE 9-1: `PWRSVAV` INSTRUCTION SYNTAX

```
PWRSVAV    #SLEEP_MODE    ; Put the device into SLEEP mode
PWRSVAV    #IDLE_MODE     ; Put the device into IDLE mode
BSET       DSCON, #DSEN   ; Enable Deep Sleep
PWRSVAV    #SLEEP_MODE    ; Put the device into Deep SLEEP mode
```

# PIC24FJ64GB004 FAMILY

## 9.2.2 IDLE MODE

Idle mode has these features:

- The CPU will stop executing instructions.
- The WDT is automatically cleared.
- The system clock source remains active. By default, all peripheral modules continue to operate normally from the system clock source, but can also be selectively disabled (see **Section 9.4 “Selective Peripheral Module Control”**).
- If the WDT or FSCM is enabled, the LPRC will also remain active.

The device will wake from Idle mode on any of these events:

- Any interrupt that is individually enabled
- Any device Reset
- A WDT time-out

On wake-up from Idle mode, the clock is reapplied to the CPU and instruction execution begins immediately, starting with the instruction following the `PWRSAV` instruction or the first instruction in the ISR.

## 9.2.3 INTERRUPTS COINCIDENT WITH POWER SAVE INSTRUCTIONS

Any interrupt that coincides with the execution of a `PWRSAV` instruction (except for Deep Sleep mode) will be held off until entry into Sleep or Idle mode has completed. The device will then wake-up from Sleep or Idle mode.

## 9.2.4 DEEP SLEEP MODE

In PIC24FJ64GB004 family devices, Deep Sleep mode is intended to provide the lowest levels of power consumption available, without requiring the use of external switches to completely remove all power from the device. Entry into Deep Sleep mode is completely under software control. Exit from Deep Sleep mode can be triggered from any of the following events:

- POR event
- $\overline{\text{MCLR}}$  event
- RTCC alarm (If the RTCC is present)
- External Interrupt 0
- Deep Sleep Watchdog Timer (DSWDT) time-out

In Deep Sleep mode, it is possible to keep the device Real-Time Clock and Calendar (RTCC) running without the loss of clock cycles.

The device has a dedicated Deep Sleep Brown-out Reset (DSBOR) and a Deep Sleep Watchdog Timer Reset (DSWDT) for monitoring voltage and time-out events. The DSBOR and DSWDT are independent of the standard BOR and WDT used with other power-managed modes (Sleep, Idle and Doze).

**Note:** Since Deep Sleep mode powers down the microcontroller by turning off the on-chip VDDCORE voltage regulator, Deep Sleep capability is available only when operating with the internal regulator enabled.

### 9.2.4.1 Entering Deep Sleep Mode

Deep Sleep mode is entered by setting the DSEN bit in the DSCON register, and then executing a `SLEEP` instruction (`PWRSAV #SLEEP_MODE`) within one to three instruction cycles to minimize the chance that Deep Sleep will be spuriously entered.

If the `PWRSAV` command is not given within three instruction cycles, the DSEN bit will be cleared by the hardware and must be set again by the software before entering Deep Sleep mode. The DSEN bit is also automatically cleared when exiting the Deep Sleep mode.

**Note:** To re-enter Deep Sleep after a Deep Sleep wake-up, allow a delay of at least 3  $T_{CY}$  after clearing the RELEASE bit.

The sequence to enter Deep Sleep mode is:

1. If the application requires the Deep Sleep WDT, enable it and configure its clock source (see **Section 9.2.4.7 “Deep Sleep WDT”** for details).
2. If the application requires Deep Sleep BOR, enable it by programming the DSBORN Configuration bit (`CW4<6>`).
3. If the application requires wake-up from Deep Sleep on RTCC alarm, enable and configure the RTCC module (see **Section 20.0 “Real-Time Clock and Calendar (RTCC)”** for more information).
4. If needed, save any critical application context data by writing it to the `DSGPR0` and `DSGPR1` registers (optional).
5. Enable Deep Sleep mode by setting the DSEN bit (`DSCON<15>`).
6. Enter Deep Sleep mode by immediately issuing a `PWRSAV #0` instruction.

Any time the DSEN bit is set, all bits in the `DSWAKE` register will be automatically cleared.

## 9.2.4.2 Special Cases when Entering Deep Sleep Mode

When entering Deep Sleep mode, there are certain circumstances that require a delay between setting the DSEN bit and executing the `PWRSVAV` instruction. These can be generally reduced to three scenarios:

1. Scenario (1): use an external wake-up source (INT0) or the RTCC
2. Scenario (2): with application-level interrupts that can be temporarily disabled
3. Scenario (3): with interrupts that must be monitored

In the first scenario, the application requires a wake-up from Deep Sleep on the assertion of the INT0 pin or the RTCC interrupt. In this case, three `NOP` instructions must be inserted to properly synchronize the detection of an asynchronous INT0 interrupt after the device enters Deep Sleep mode. If the application does not use wake-up on INT0 or RTCC, the `NOP` instructions are optional.

In the second scenario, the application also uses interrupts which can be briefly ignored. With these applications, an interrupt event during the execution of the `NOP` instructions may cause an ISR to be executed. This means that more than three instruction cycles will elapse before returning to the code and that the DSEN bit will be cleared. To prevent the missed entry into Deep Sleep, temporarily disable interrupts prior to entering Deep Sleep mode. Invoking the `DISI` instruction for four cycles is sufficient to prevent interrupts from disrupting Deep Sleep entry.

In the third scenario, interrupts cannot be ignored even briefly; constant interrupt detection is required, even during the interval between setting DSEN and executing the `PWRSVAV` instruction. For these cases, it is possible to disable interrupts and test for an interrupt condition, skipping the `PWRSVAV` instruction if necessary. Testing for interrupts can be accomplished by checking the status of the CPUIRQ bit (INTTREG<15>); if an unserved interrupt is pending, this bit will be set. If CPUIRQ is set prior to executing the `PWRSVAV` instruction, the instruction is skipped. At this point, the `DISI` instruction has expired (being more than 4 instructions from when it was executed) and the application vectors to the appropriate ISR. When the application returns, it can either attempt to re-enter Deep Sleep mode or perform some other system function. In either case, the application must have some functional code located, following the `PWRSVAV` instruction, in the event that the `PWRSVAV` instruction is skipped and the device does not enter Deep Sleep mode.

Examples for implementing these cases are shown in Example 9-2. It is recommended that an assembler, or in-line C routine, be used in these cases to ensure that the code executes in the number of cycles required.

### EXAMPLE 9-2: IMPLEMENTING THE SPECIAL CASES FOR ENTERING DEEP SLEEP

```
// Case 1: simplest delay scenario
//
asm("bset DSCON, #15");
asm("nop");
asm("nop");
asm("nop");
asm("pwrsav #0");
//
// Case 2: interrupts disabled
//
asm("disi #4");
asm("bset DSCON, #15");
asm("nop");
asm("nop");
asm("nop");
asm("pwrsav #0");
//
// Case 3: interrupts disabled with
// interrupt testing
//
asm("disi #4");
asm("bset DSCON, #15");
asm("nop");
asm("nop");
asm("btss INTTREG, #15");
asm("pwrsav #0");
// continue with application code here
//
```

# PIC24FJ64GB004 FAMILY

## 9.2.4.3 Exiting Deep Sleep Mode

Deep Sleep mode exits on any one of the following events:

- POR event on V<sub>DD</sub> supply. If there is no DSBOR circuit to re-arm the V<sub>DD</sub> supply POR circuit, the external V<sub>DD</sub> supply must be lowered to the natural arming voltage of the POR circuit.
- DSWDT time-out. When the DSWDT timer times out, the device exits Deep Sleep.
- RTCC alarm (if RTCEN = 1).
- Assertion ('0') of the MCLR pin.
- Assertion of the INT0 pin (if the interrupt was enabled before Deep Sleep mode was entered). The polarity configuration is used to determine the assertion level ('0' or '1') of the pin that will cause an exit from Deep Sleep mode. Exiting from Deep Sleep mode requires a change on the INT0 pin while in Deep Sleep mode.

**Note:** Any interrupt pending when entering Deep Sleep mode is cleared.

Exiting Deep Sleep mode generally does not retain the state of the device and is equivalent to a Power-on Reset (POR) of the device. Exceptions to this include the RTCC (if present), which remains operational through the wake-up, the DSGPRx registers and DSWDT.

Wake-up events that occur from the time Deep Sleep exits, until the time that the POR sequence completes, are ignored and are not captured in the DSWAKE register.

The sequence for exiting Deep Sleep mode is:

1. After a wake-up event, the device exits Deep Sleep and performs a POR. The DSEN bit is cleared automatically. Code execution resumes at the Reset vector.
2. To determine if the device exited Deep Sleep, read the Deep Sleep bit, DP<sub>SLP</sub> (RCON<10>). This bit will be set if there was an exit from Deep Sleep mode. If the bit is set, clear it.
3. Determine the wake-up source by reading the DSWAKE register.
4. Determine if a DSBOR event occurred during Deep Sleep mode by reading the DSBOR bit (DSCON<1>).
5. If application context data has been saved, read it back from the DSGPR0 and DSGPR1 registers.
6. Clear the RELEASE bit (DSCON<0>).

## 9.2.4.4 Deep Sleep Wake-up Time

Since wake-up from Deep Sleep results in a POR, the wake-up time from Deep Sleep is the same as the device POR time. Also, because the internal regulator is turned off, the voltage on V<sub>CAP</sub> may drop depending on how long the device is asleep. If V<sub>CAP</sub> has dropped below 2V, then there will be additional wake-up time while the regulator charges V<sub>CAP</sub>.

Deep Sleep wake-up time is specified in **Section 29.0 “Electrical Characteristics”** as T<sub>DSWU</sub>. This specification indicates the worst case wake-up time, including the full POR Reset time (including T<sub>POR</sub> and T<sub>TRST</sub>), as well as the time to fully charge a 10 μF capacitor on V<sub>CAP</sub> which has discharged to 0V. Wake-up may be significantly faster if V<sub>CAP</sub> has not discharged.

## 9.2.4.5 Saving Context Data with the DSGPR0/DSGPR1 Registers

As exiting Deep Sleep mode causes a POR, most Special Function Registers reset to their default POR values. In addition, because V<sub>DDCORE</sub> power is not supplied in Deep Sleep mode, information in data RAM may be lost when exiting this mode.

Applications which require critical data to be saved prior to Deep Sleep may use the Deep Sleep General Purpose registers, DSGPR0 and DSGPR1, or data EEPROM (if available). Unlike other SFRs, the contents of these registers are preserved while the device is in Deep Sleep mode. After exiting Deep Sleep, software can restore the data by reading the registers and clearing the RELEASE bit (DSCON<0>).

## 9.2.4.6 I/O Pins During Deep Sleep Mode

During Deep Sleep, the general purpose I/O pins retain their previous states and the Secondary Oscillator (SOSC) will remain running, if enabled. Pins that are configured as inputs (TRIS bit set) prior to entry into Deep Sleep remain high-impedance during Deep Sleep. Pins that are configured as outputs (TRIS bit clear) prior to entry into Deep Sleep remain as output pins during Deep Sleep. While in this mode, they continue to drive the output level determined by their corresponding LAT bit at the time of entry into Deep Sleep.



# PIC24FJ64GB004 FAMILY

Once the device wakes back up, all I/O pins continue to maintain their previous states, even after the device has finished the POR sequence and is executing application code again. Pins configured as inputs during Deep Sleep remain high-impedance and pins configured as outputs continue to drive their previous value. After waking up, the TRIS and LAT registers, and the SOSCEN bit (OSCCON<1>) are reset. If firmware modifies any of these bits or registers, the I/O will not immediately go to the newly configured states. Once the firmware clears the RELEASE bit (DSCON<0>) the I/O pins are “released”. This causes the I/O pins to take the states configured by their respective TRIS and LAT bit values.

This means that keeping the SOSC running after waking up requires the SOSCEN bit to be set before clearing RELEASE.

If the Deep Sleep BOR (DSBOR) is enabled, and a DSBOR or a true POR event occurs during Deep Sleep, the I/O pins will be immediately released similar to clearing the RELEASE bit. All previous state information will be lost, including the general purpose DSGPR0 and DSGPR1 contents.

If a MCLR Reset event occurs during Deep Sleep, the DSGPRx, DSCON and DSWAKE registers will remain valid and the RELEASE bit will remain set. The state of the SOSC will also be retained. The I/O pins, however, will be reset to their MCLR Reset state. Since RELEASE is still set, changes to the SOSCEN bit (OSCCON<1>) cannot take effect until the RELEASE bit is cleared.

In all other Deep Sleep wake-up cases, application firmware must clear the RELEASE bit in order to reconfigure the I/O pins.

## 9.2.4.7 Deep Sleep WDT

To enable the DSWDT in Deep Sleep mode, program the Configuration bit, DSWDTEN (CW4<7>). The device Watchdog Timer (WDT) need not be enabled for the DSWDT to function. Entry into Deep Sleep mode automatically resets the DSWDT.

The DSWDT clock source is selected by the DSWDTOSC Configuration bit (CW4<4>). The postscaler options are programmed by the DSWDTPS<3:0> Configuration bits (CW4<3:0>). The minimum time-out period that can be achieved is 2.1 ms and the maximum is 25.7 days. For more details on the CW4 Configuration register and DSWDT configuration options, refer to **Section 26.0 “Special Features”**.

## 9.2.4.8 Switching Clocks in Deep Sleep Mode

Both the RTCC and the DSWDT may run from either SOSC or the LPRC clock source. This allows both the RTCC and DSWDT to run without requiring both the LPRC and SOSC to be enabled together, reducing power consumption.

Running the RTCC from LPRC will result in a loss of accuracy in the RTCC of approximately 5 to 10%. If an accurate RTCC is required, it must be run from the SOSC clock source. The RTCC clock source is selected with the RTCOSC Configuration bit (CW4<5>).

Under certain circumstances, it is possible for the DSWDT clock source to be off when entering Deep Sleep mode. In this case, the clock source is turned on automatically (if DSWDT is enabled), without the need for software intervention. However, this can cause a delay in the start of the DSWDT counters. In order to avoid this delay when using SOSC as a clock source, the application can activate SOSC prior to entering Deep Sleep mode.

## 9.2.4.9 Checking and Clearing the Status of Deep Sleep Mode

Upon entry into Deep Sleep mode, the status bit, DPSLP (RCON<10>), becomes set and must be cleared by software.

On power-up, the software should read this status bit to determine if the Reset was due to an exit from Deep Sleep mode and clear the bit if it is set. Of the four possible combinations of DPSLP and POR bit states, three cases can be considered:

- Both the DPSLP and POR bits are cleared. In this case, the Reset was due to some event other than a Deep Sleep mode exit.
- The DPSLP bit is clear, but the POR bit is set. This is a normal Power-on Reset.
- Both the DPSLP and POR bits are set. This means that Deep Sleep mode was entered, the device was powered down and Deep Sleep mode was exited.

# PIC24FJ64GB004 FAMILY

---

## 9.2.4.10 Power-on Resets (PORs)

V<sub>DD</sub> voltage is monitored to produce PORs. Since exiting from Deep Sleep functionally looks like a POR, the technique described in **Section 9.2.4.9 “Checking and Clearing the Status of Deep Sleep Mode”** should be used to distinguish between Deep Sleep and a true POR event.

When a true POR occurs, the entire device, including all Deep Sleep logic (Deep Sleep registers, RTCC, DSWDT, etc.) is reset.

## 9.2.4.11 Summary of Deep Sleep Sequence

To review, these are the necessary steps involved in invoking and exiting Deep Sleep mode:

1. Device exits Reset and begins to execute its application code.
2. If DSWDT functionality is required, program the appropriate Configuration bit.
3. Select the appropriate clock(s) for the DSWDT and RTCC (optional).
4. Enable and configure the RTCC (optional).
5. Write context data to the DSGPRx registers (optional).
6. Enable the INTO interrupt (optional).
7. Set the DSEN bit in the DSCON register.
8. Enter Deep Sleep by issuing a `PWRSV #SLEEP_MODE` command.
9. Device exits Deep Sleep when a wake-up event occurs.
10. The DSEN bit is automatically cleared.
11. Read and clear the DPSLP status bit in RCON, and the DSWAKE status bits.
12. Read the DSGPRx registers (optional).
13. Once all state related configurations are complete, clear the RELEASE bit.
14. Application resumes normal operation.

# PIC24FJ64GB004 FAMILY

## REGISTER 9-1: DSCON: DEEP SLEEP CONTROL REGISTER

|                     |     |     |     |     |     |     |       |
|---------------------|-----|-----|-----|-----|-----|-----|-------|
| R/W-0, HC           | U-0 | U-0 | U-0 | U-0 | U-0 | U-0 | U-0   |
| DSEN <sup>(1)</sup> | —   | —   | —   | —   | —   | —   | —     |
| bit 15              |     |     |     |     |     |     | bit 8 |

|       |     |     |     |     |     |                          |                          |
|-------|-----|-----|-----|-----|-----|--------------------------|--------------------------|
| U-0   | U-0 | U-0 | U-0 | U-0 | U-0 | R/W-0, HCS               | R/C-0, HS                |
| —     | —   | —   | —   | —   | —   | DSBOR <sup>(1,2,3)</sup> | RELEASE <sup>(1,2)</sup> |
| bit 7 |     |     |     |     |     |                          | bit 0                    |

### Legend:

|                             |                            |                                       |                                |
|-----------------------------|----------------------------|---------------------------------------|--------------------------------|
| R = Readable bit            | W = Writable bit           | C = Clearable bit                     | U = Unimplemented, read as '0' |
| -n = Value at POR           | '1' = Bit is set           | '0' = Bit is cleared                  | x = Bit is unknown             |
| HC = Hardware Clearable bit | HS = Hardware Settable bit | HCS = Hardware Clearable/Settable bit |                                |

bit 15 **DSEN:** Deep Sleep Enable bit<sup>(1)</sup>

- 1 = Device entered Deep Sleep when PWRSAV #0 was executed in the next instruction
- 0 = Device entered normal Sleep when PWRSAV #0 was executed

bit 14-2 **Unimplemented:** Read as '0'

bit 1 **DSBOR:** Deep Sleep BOR Event Status bit<sup>(1,2,3)</sup>

- 1 = The DSBOR is active and a BOR event is detected during Deep Sleep
- 0 = The DSBOR is disabled or is active and does not detect a BOR event during Deep Sleep

bit 0 **RELEASE:** I/O Pin State Deep Sleep Release bit<sup>(1,2)</sup>

- 1 = I/O pins and SOSC maintain their states following exit from Deep Sleep, regardless of their LAT and TRIS configuration
- 0 = I/O pins and SOSC are released from their Deep Sleep states. The pin state is controlled by the LAT and TRIS configurations, and the SOSCEN bit.

**Note 1:** These bits are reset only in the case of a POR event outside of Deep Sleep mode.

**2:** Reset value is '0' for initial power-on POR only and '1' for Deep Sleep POR.

**3:** This is a status bit only; a DSBOR event will NOT cause a wake-up from Deep Sleep.

# PIC24FJ64GB004 FAMILY

## REGISTER 9-2: DSWAKE: DEEP SLEEP WAKE-UP SOURCE REGISTER

|        |     |     |     |     |     |     |                       |
|--------|-----|-----|-----|-----|-----|-----|-----------------------|
| U-0    | U-0 | U-0 | U-0 | U-0 | U-0 | U-0 | R/W-0, HS             |
| —      | —   | —   | —   | —   | —   | —   | DSINT0 <sup>(1)</sup> |
| bit 15 |     |     |     |     |     |     | bit 8                 |

|                      |     |     |                      |                      |                       |     |                      |
|----------------------|-----|-----|----------------------|----------------------|-----------------------|-----|----------------------|
| R/W-0, HS            | U-0 | U-0 | R/W-0, HS            | R/W-0, HS            | R/W-0, HS             | U-0 | R/W-0, HS            |
| DSFLT <sup>(1)</sup> | —   | —   | DSWDT <sup>(1)</sup> | DSRTC <sup>(1)</sup> | DSMCLR <sup>(1)</sup> | —   | DSPOR <sup>(2)</sup> |
| bit 7                |     |     |                      |                      |                       |     | bit 0                |

|                   |                            |                                    |                    |
|-------------------|----------------------------|------------------------------------|--------------------|
| <b>Legend:</b>    | HS = Hardware Settable bit |                                    |                    |
| R = Readable bit  | W = Writable bit           | U = Unimplemented bit, read as '0' |                    |
| -n = Value at POR | '1' = Bit is set           | '0' = Bit is cleared               | x = Bit is unknown |

- bit 15-9      **Unimplemented:** Read as '0'
- bit 8      **DSINT0:** Interrupt-on-Change bit<sup>(1)</sup>  
 1 = External Interrupt 0 was asserted during Deep Sleep  
 0 = External Interrupt 0 was not asserted during Deep Sleep
- bit 7      **DSFLT:** Deep Sleep Fault Detected bit<sup>(1)</sup>  
 1 = A Fault occurred during Deep Sleep and some Deep Sleep configuration settings may have been corrupted  
 0 = No Fault was detected during Deep Sleep
- bit 6-5      **Unimplemented:** Read as '0'
- bit 4      **DSWDT:** Deep Sleep Watchdog Timer Time-out bit<sup>(1)</sup>  
 1 = The Deep Sleep Watchdog Timer timed out during Deep Sleep  
 0 = The Deep Sleep Watchdog Timer did not time out during Deep Sleep
- bit 3      **DSRTC:** Real-Time Clock and Calendar Alarm bit<sup>(1)</sup>  
 1 = The Real-Time Clock and Calendar triggered an alarm during Deep Sleep  
 0 = The Real-Time Clock and Calendar did not trigger an alarm during Deep Sleep
- bit 2      **DSMCLR:** Deep Sleep  $\overline{\text{MCLR}}$  Event bit<sup>(1)</sup>  
 1 = The  $\overline{\text{MCLR}}$  pin was asserted during Deep Sleep  
 0 = The  $\overline{\text{MCLR}}$  pin was not asserted during Deep Sleep
- bit 1      **Unimplemented:** Read as '0'
- bit 0      **DSPOR:** Power-on Reset Event bit<sup>(2)</sup>  
 1 = The VDD supply POR circuit was active and a POR event was detected  
 0 = The VDD supply POR circuit was not active, or was active, but did not detect a POR event

- Note 1:** This bit can only be set while the device is in Deep Sleep mode.  
**Note 2:** This bit can be set outside of Deep Sleep.

## 9.3 Doze Mode

Generally, changing clock speed and invoking one of the power-saving modes are the preferred strategies for reducing power consumption. There may be circumstances, however, where this is not practical. For example, it may be necessary for an application to maintain uninterrupted synchronous communication, even while it is doing nothing else. Reducing system clock speed may introduce communication errors, while using a power-saving mode may stop communications completely.

Doze mode is a simple and effective alternative method to reduce power consumption while the device is still executing code. In this mode, the system clock continues to operate from the same source and at the same speed. Peripheral modules continue to be clocked at the same speed while the CPU clock speed is reduced. Synchronization between the two clock domains is maintained, allowing the peripherals to access the SFRs while the CPU executes code at a slower rate.

Doze mode is enabled by setting the DOZEN bit (CLKDIV<11>). The ratio between peripheral and core clock speed is determined by the DOZE<2:0> bits (CLKDIV<14:12>). There are eight possible configurations, from 1:1 to 1:128, with 1:1 being the default.

It is also possible to use Doze mode to selectively reduce power consumption in event-driven applications. This allows clock-sensitive functions, such as synchronous communications, to continue without interruption while the CPU Idles, waiting for something to invoke an interrupt routine. Enabling the automatic return to full-speed CPU operation on interrupts is enabled by setting the ROI bit (CLKDIV<15>). By default, interrupt events have no effect on Doze mode operation.

## 9.4 Selective Peripheral Module Control

Idle and Doze modes allow users to substantially reduce power consumption by slowing or stopping the CPU clock. Even so, peripheral modules still remain clocked, and thus, consume power. There may be cases where the application needs what these modes do not provide: the allocation of power resources to CPU processing with minimal power consumption from the peripherals.

PIC24F devices address this requirement by allowing peripheral modules to be selectively disabled, reducing or eliminating their power consumption. This can be done with two control bits:

- The Peripheral Enable bit, generically named “XXXEN”, located in the module’s main control SFR.
- The Peripheral Module Disable (PMD) bit, generically named “XXXMD”, located in one of the PMD Control registers.

Both bits have similar functions in enabling or disabling its associated module. Setting the PMD bit for a module disables all clock sources to that module, reducing its power consumption to an absolute minimum. In this state, the control and status registers associated with the peripheral will also be disabled, so writes to those registers will have no effect and read values will be invalid. Many peripheral modules have a corresponding PMD bit.

In contrast, disabling a module by clearing its XXXEN bit disables its functionality, but leaves its registers available to be read and written to. This reduces power consumption, but not by as much as setting the PMD bit does. Most peripheral modules have an enable bit; exceptions include input capture, output compare and RTCC.

To achieve more selective power savings, peripheral modules can also be selectively disabled when the device enters Idle mode. This is done through the control bit of the generic name format, “XXXIDL”. By default, all modules that can operate during Idle mode will do so. Using the disable on Idle feature allows further reduction of power consumption during Idle mode, enhancing power savings for extremely critical power applications.

# PIC24FJ64GB004 FAMILY

---

NOTES:

# PIC24FJ64GB004 FAMILY

## 10.0 I/O PORTS

**Note:** This data sheet summarizes the features of this group of PIC24F devices. It is not intended to be a comprehensive reference source. For more information, refer to the “PIC24F Family Reference Manual”, Section 12. “I/O Ports with Peripheral Pin Select (PPS)” (DS39711).

All of the device pins (except VDD, VSS,  $\overline{\text{MCLR}}$  and OSC1/CLKI) are shared between the peripherals and the parallel I/O ports. All I/O input ports feature Schmitt Trigger inputs for improved noise immunity.

### 10.1 Parallel I/O (PIO) Ports

A parallel I/O port that shares a pin with a peripheral is, in general, subservient to the peripheral. The peripheral's output buffer data and control signals are provided to a pair of multiplexers. The multiplexers select whether the peripheral or the associated port has ownership of the output data and control signals of the I/O pin. The logic also prevents “loop through”, in which a port's digital output can drive the input of a peripheral that shares the same pin. Figure 10-1 shows how ports are shared with other peripherals and the associated I/O pin to which they are connected.

When a peripheral is enabled and the peripheral is actively driving an associated pin, the use of the pin as a general purpose output pin is disabled. The I/O pin may be read, but the output driver for the parallel port bit will be disabled. If a peripheral is enabled, but the peripheral is not actively driving a pin, that pin may be driven by a port.

All port pins have three registers directly associated with their operation as digital I/Os. The Data Direction register (TRIS) determines whether the pin is an input or an output. If the data direction bit is a '1', then the pin is an input. All port pins are defined as inputs after a Reset. Reads from the Output Latch register (LAT), read the latch. Writes to the Output Latch register, write the latch. Reads from the port (PORT), read the port pins, while writes to the port pins, write the latch.

Any bit and its associated data and control registers that are not valid for a particular device will be disabled. That means the corresponding LAT and TRIS registers, and the port pin will read as zeros.

When a pin is shared with another peripheral or function that is defined as an input only, it is regarded as a dedicated port because there is no other competing source of outputs.

**FIGURE 10-1: BLOCK DIAGRAM OF A TYPICAL SHARED PORT STRUCTURE**



# PIC24FJ64GB004 FAMILY

## 10.1.1 OPEN-DRAIN CONFIGURATION

In addition to the PORT, LAT and TRIS registers for data control, each port pin can also be individually configured for either digital or open-drain output. This is controlled by the Open-Drain Control register, ODCx, associated with each port. Setting any of the bits configures the corresponding pin to act as an open-drain output.

The open-drain feature allows the generation of outputs higher than VDD (e.g., 5V) on any desired digital only pins by using external pull-up resistors. The maximum open-drain voltage allowed is the same as the maximum VIH specification.

## 10.2 Configuring Analog Port Pins

The AD1PCFGL and TRIS registers control the operation of the A/D port pins. Setting a port pin as an analog input also requires that the corresponding TRIS bit be set. If the TRIS bit is cleared (output), the digital output level (VOH or VOL) will be converted.

When reading the PORT register, all pins configured as analog input channels will read as cleared (a low level).

Pins configured as digital inputs will not convert an analog input. Analog levels on any pin that is defined as a digital input (including the ANx pins) may cause the input buffer to consume current that exceeds the device specifications.

### 10.2.1 I/O PORT WRITE/READ TIMING

One instruction cycle is required between a port direction change or port write operation and a read operation of the same port. Typically, this instruction would be a NOP (Example 10-1).

#### EXAMPLE 10-1: PORT WRITE/READ EXAMPLE

```
MOV    0xFF00, W0          ; Configure PORTB<15:8> as inputs
MOV    W0, TRISB          ; and PORTB<7:0> as outputs
NOP                                ; Delay 1 cycle
BTSS   PORTB, #13        ; Next Instruction
```

## 10.2.2 ANALOG INPUT PINS AND VOLTAGE CONSIDERATIONS

The voltage tolerance of pins used as device inputs is dependent on the pin's input function. Pins that are used as digital only inputs are able to handle DC voltages up to 5.5V, a level typical for digital logic circuits. In contrast, pins that also have analog input functions of any kind can only tolerate voltages up to VDD. Voltage excursions beyond VDD on these pins should be avoided.

Table 10-1 summarizes the input voltage capabilities. Refer to Section 29.0 "Electrical Characteristics" for more details.

TABLE 10-1: INPUT VOLTAGE TOLERANCE

| Port or Pin                | Tolerated Input | Description                                                       |
|----------------------------|-----------------|-------------------------------------------------------------------|
| PORTA<4:0>                 | VDD             | Only VDD input levels are tolerated.                              |
| PORTB<15:13>               |                 |                                                                   |
| PORTB<4:0>                 |                 |                                                                   |
| PORTC<3:0> <sup>(1)</sup>  |                 |                                                                   |
| PORTA<10:7> <sup>(1)</sup> | 5.5V            | Tolerates input levels above VDD, useful for most standard logic. |
| PORTB<11:7>                |                 |                                                                   |
| PORTB<5>                   |                 |                                                                   |
| PORTC<9:4> <sup>(1)</sup>  |                 |                                                                   |

**Note 1:** Not available on 28-pin devices.



## 10.3 Input Change Notification

The input change notification function of the I/O ports allows the PIC24FJ64GB004 family of devices to generate interrupt requests to the processor in response to a change of state on selected input pins. This feature is capable of detecting input Change-of-States (COS) even in Sleep mode, when the clocks are disabled. Depending on the device pin count, there are up to 29 external inputs that may be selected (enabled) for generating an interrupt request on a Change-of-State.

Registers, CNEN1 and CNEN2, contain the interrupt enable control bits for each of the CN input pins. Setting any of these bits enables a CN interrupt for the corresponding pins.

Each CN pin has a weak pull-up connected to it. The pull-up acts as a current source that is connected to the pin. This eliminates the need for external resistors when push button or keypad devices are connected. The pull-ups are separately enabled using the CNPU1 and CNPU2 registers (for pull-ups). Each CN pin has individual control bits for its pull-up. Setting a control bit enables the weak pull-up for the corresponding pin.

When the internal pull-up is selected, the pin pulls up to VDD-0.7V (typical). Make sure that there is no external pull-up source when the internal pull-ups are enabled, as the voltage difference can cause a current path.

**Note:** Pull-ups on change notification pins should always be disabled whenever the port pin is configured as a digital output.

## 10.4 Peripheral Pin Select (PPS)

A major challenge in general purpose devices is providing the largest possible set of peripheral features while minimizing the conflict of features on I/O pins. In an application that needs to use more than one peripheral multiplexed on a single pin, inconvenient work arounds in application code or a complete redesign may be the only option.

The Peripheral Pin Select feature provides an alternative to these choices by enabling the user's peripheral set selection and their placement on a wide range of I/O pins. By increasing the pinout options available on a particular device, users can better tailor the microcontroller to their entire application, rather than trimming the application to fit the device.

The Peripheral Pin Select feature operates over a fixed subset of digital I/O pins. Users may independently map the input and/or output of any one of many digital peripherals to any one of these I/O pins. Peripheral Pin Select is performed in software and generally does not require the device to be reprogrammed. Hardware

safeguards are included that prevent accidental or spurious changes to the peripheral mapping once it has been established.

### 10.4.1 AVAILABLE PINS

The Peripheral Pin Select feature is used with a range of up to 25 pins, depending on the particular device and its pin count. Pins that support the Peripheral Pin Select feature include the designation "RPn" in their full pin designation, where "n" is the remappable pin number.

See Table 1-2 for a summary of pinout options in each package offering.

### 10.4.2 AVAILABLE PERIPHERALS

The peripherals managed by the Peripheral Pin Select are all digital only peripherals. These include general serial communications (UART and SPI), general purpose timer clock inputs, timer related peripherals (input capture and output compare) and external interrupt inputs. Also included are the outputs of the comparator module, since these are discrete digital signals.

Peripheral Pin Select is not available for I<sup>2</sup>C™ change notification inputs, RTCC alarm outputs or peripherals with analog inputs.

A key difference between pin select and non pin select peripherals is that pin select peripherals are not associated with a default I/O pin. The peripheral must always be assigned to a specific I/O pin before it can be used. In contrast, non pin select peripherals are always available on a default pin, assuming that the peripheral is active and not conflicting with another peripheral.

#### 10.4.2.1 Peripheral Pin Select Function Priority

Pin-selectable peripheral outputs (for example, OC and UART transmit) take priority over any general purpose digital functions permanently tied to that pin, such as PMP and port I/O. Specialized digital outputs, such as USB functionality, take priority over PPS outputs on the same pin. The pin diagrams at the beginning of this data sheet list peripheral outputs in order of priority. Refer to them for priority concerns on a particular pin.

Unlike devices with fixed peripherals, pin-selectable peripheral inputs never take ownership of a pin. The pin's output buffer is controlled by the pin's TRIS bit setting, or by a fixed peripheral on the pin. If the pin is configured in Digital mode, then the PPS input will operate correctly, reading the input. If an analog function is enabled on the same pin, the pin-selectable input will be disabled.

# PIC24FJ64GB004 FAMILY

## 10.4.3 CONTROLLING PERIPHERAL PIN SELECT

Peripheral Pin Select features are controlled through two sets of Special Function Registers: one to map peripheral inputs and one to map outputs. Because they are separately controlled, a particular peripheral's input and output (if the peripheral has both) can be placed on any selectable function pin without constraint.

The association of a peripheral to a peripheral-selectable pin is handled in two different ways, depending on if an input or an output is being mapped.

### 10.4.3.1 Input Mapping

The inputs of the Peripheral Pin Select options are mapped on the basis of the peripheral; that is, a control register associated with a peripheral dictates the pin it will be mapped to. The RPINRx registers are used to configure peripheral input mapping (see Register 10-1 through Register 10-14). Each register contains up to two sets of 5-bit fields, with each set associated with one of the pin-selectable peripherals. Programming a given peripheral's bit field with an appropriate 6-bit value maps the RPn pin with that value to that peripheral. For any given device, the valid range of values for any of the bit fields corresponds to the maximum number of Peripheral Pin Select options supported by the device.

**TABLE 10-2: SELECTABLE INPUT SOURCES (MAPS INPUT TO FUNCTION)<sup>(1)</sup>**

| Input Name              | Function Name      | Register | Function Mapping Bits |
|-------------------------|--------------------|----------|-----------------------|
| External Interrupt 1    | INT1               | RPINR0   | INT1R<5:0>            |
| External Interrupt 2    | INT2               | RPINR1   | INT2R<5:0>            |
| Input Capture 1         | IC1                | RPINR7   | IC1R<5:0>             |
| Input Capture 2         | IC2                | RPINR7   | IC2R<5:0>             |
| Input Capture 3         | IC3                | RPINR8   | IC3R<5:0>             |
| Input Capture 4         | IC4                | RPINR8   | IC4R<5:0>             |
| Input Capture 5         | IC5                | RPINR9   | IC5R<5:0>             |
| Output Compare Fault A  | OCFA               | RPINR11  | OCFAR<5:0>            |
| Output Compare Fault B  | OCFB               | RPINR11  | OCFBR<5:0>            |
| SPI1 Clock Input        | SCK1IN             | RPINR20  | SCK1R<5:0>            |
| SPI1 Data Input         | SDI1               | RPINR20  | SDI1R<5:0>            |
| SPI1 Slave Select Input | SS1IN              | RPINR21  | SS1R<5:0>             |
| SPI2 Clock Input        | SCK2IN             | RPINR22  | SCK2R<5:0>            |
| SPI2 Data Input         | SDI2               | RPINR22  | SDI2R<5:0>            |
| SPI2 Slave Select Input | SS2IN              | RPINR23  | SS2R<5:0>             |
| Timer2 External Clock   | T2CK               | RPINR3   | T2CKR<5:0>            |
| Timer3 External Clock   | T3CK               | RPINR3   | T3CKR<5:0>            |
| Timer4 External Clock   | T4CK               | RPINR4   | T4CKR<5:0>            |
| Timer5 External Clock   | T5CK               | RPINR4   | T5CKR<5:0>            |
| UART1 Clear To Send     | $\overline{U1CTS}$ | RPINR18  | U1CTSR<5:0>           |
| UART1 Receive           | U1RX               | RPINR18  | U1RXR<5:0>            |
| UART2 Clear To Send     | $\overline{U2CTS}$ | RPINR19  | U2CTSR<5:0>           |
| UART2 Receive           | U2RX               | RPINR19  | U2RXR<5:0>            |

**Note 1:** Unless otherwise noted, all inputs use the Schmitt Trigger input buffers.

# PIC24FJ64GB004 FAMILY

## 10.4.3.2 Output Mapping

In contrast to inputs, the outputs of the Peripheral Pin Select options are mapped on the basis of the pin. In this case, a control register associated with a particular pin dictates the peripheral output to be mapped. The RPORx registers are used to control output mapping. Each register contains up to two 5-bit fields, with each field being associated with one RPN pin (see Register 10-15 through Register 10-27). The value of

the bit field corresponds to one of the peripherals and that peripheral's output is mapped to the pin (see Table 10-3).

Because of the mapping technique, the list of peripherals for output mapping also includes a null value of '000000'. This permits any given pin to remain disconnected from the output of any of the pin-selectable peripherals.

**TABLE 10-3: SELECTABLE OUTPUT SOURCES (MAPS FUNCTION TO OUTPUT)**

| Output Function Number <sup>(1)</sup> | Function                          | Output Name              |
|---------------------------------------|-----------------------------------|--------------------------|
| 0                                     | NULL <sup>(2)</sup>               | Null                     |
| 1                                     | C1OUT                             | Comparator 1 Output      |
| 2                                     | C2OUT                             | Comparator 2 Output      |
| 3                                     | U1TX                              | UART1 Transmit           |
| 4                                     | $\overline{U1RTS}$ <sup>(3)</sup> | UART1 Request To Send    |
| 5                                     | U2TX                              | UART2 Transmit           |
| 6                                     | $\overline{U2RTS}$ <sup>(3)</sup> | UART2 Request To Send    |
| 7                                     | SDO1                              | SPI1 Data Output         |
| 8                                     | SCK1OUT                           | SPI1 Clock Output        |
| 9                                     | SS1OUT                            | SPI1 Slave Select Output |
| 10                                    | SDO2                              | SPI2 Data Output         |
| 11                                    | SCK2OUT                           | SPI2 Clock Output        |
| 12                                    | SS2OUT                            | SPI2 Slave Select Output |
| 18                                    | OC1                               | Output Compare 1         |
| 19                                    | OC2                               | Output Compare 2         |
| 20                                    | OC3                               | Output Compare 3         |
| 21                                    | OC4                               | Output Compare 4         |
| 22                                    | OC5                               | Output Compare 5         |
| 23-28                                 | (unused)                          | NC                       |
| 29                                    | CTPLS                             | CTMU Output Pulse        |
| 30                                    | C3OUT                             | Comparator 3 Output      |
| 31                                    | (unused)                          | NC                       |

- Note 1:** Setting the RPORx register with the listed value assigns that output function to the associated RPN pin.  
**2:** The NULL function is assigned to all RPN outputs at device Reset and disables the RPN output function.  
**3:** IrDA<sup>®</sup> BCLK functionality uses this output.

# PIC24FJ64GB004 FAMILY

## 10.4.3.3 Mapping Limitations

The control schema of the Peripheral Pin Select is extremely flexible. Other than systematic blocks that prevent signal contention caused by two physical pins being configured as the same functional input, or two functional outputs configured as the same pin, there are no hardware enforced lock outs. The flexibility extends to the point of allowing a single input to drive multiple peripherals or a single functional output to drive multiple output pins.

## 10.4.3.4 PPS Mapping Exceptions for PIC24FJ64GB0 Family Devices

Although the PPS registers allow for up to 32 remappable pins, not all of these are implemented in all devices. Exceptions and unimplemented RPn pins are listed in Table 10-4.

**TABLE 10-4: REMAPPABLE PIN EXCEPTIONS FOR PIC24FJ64GB004 FAMILY DEVICES**

| Device Pin Count | RP Pins (I/O) |                 |
|------------------|---------------|-----------------|
|                  | Total         | Unimplemented   |
| 28 Pins          | 15            | RP12, RP16-RP25 |
| 44 Pins          | 25            | RP12            |

## 10.4.4 CONTROLLING CONFIGURATION CHANGES

Because peripheral remapping can be changed during run time, some restrictions on peripheral remapping are needed to prevent accidental configuration changes. PIC24F devices include three features to prevent alterations to the peripheral map:

- Control register lock sequence
- Continuous state monitoring
- Configuration bit remapping lock

## 10.4.4.1 Control Register Lock

Under normal operation, writes to the RPINRx and RPORx registers are not allowed. Attempted writes will appear to execute normally, but the contents of the registers will remain unchanged. To change these registers, they must be unlocked in hardware. The register lock is controlled by the IOLOCK bit (OSCCON<6>). Setting IOLOCK prevents writes to the control registers; clearing IOLOCK allows writes.

To set or clear IOLOCK, a specific command sequence must be executed:

1. Write 46h to OSCCON<7:0>.
2. Write 57h to OSCCON<7:0>.
3. Clear (or set) IOLOCK as a single operation.

Unlike the similar sequence with the oscillator's LOCK bit, IOLOCK remains in one state until changed. This allows all of the Peripheral Pin Selects to be configured with a single unlock sequence, followed by an update to all control registers, then locked with a second lock sequence.

## 10.4.4.2 Continuous State Monitoring

In addition to being protected from direct writes, the contents of the RPINRx and RPORx registers are constantly monitored in hardware by shadow registers. If an unexpected change in any of the registers occurs (such as cell disturbances caused by ESD or other external events), a Configuration Mismatch Reset will be triggered.

## 10.4.4.3 Configuration Bit Pin Select Lock

As an additional level of safety, the device can be configured to prevent more than one write session to the RPINRx and RPORx registers. The IOL1WAY (CW2<4>) Configuration bit blocks the IOLOCK bit from being cleared after it has been set once. If IOLOCK remains set, the register unlock procedure will not execute and the Peripheral Pin Select Control registers cannot be written to. The only way to clear the bit and re-enable peripheral remapping is to perform a device Reset.

In the default (unprogrammed) state, IOL1WAY is set, restricting users to one write session. Programming IOL1WAY allows users unlimited access (with the proper use of the unlock sequence) to the Peripheral Pin Select registers.

## 10.4.5 CONSIDERATIONS FOR PERIPHERAL PIN SELECTION

The ability to control Peripheral Pin Selection introduces several considerations into application design that could be overlooked. This is particularly true for several common peripherals that are available only as remappable peripherals.

The main consideration is that the Peripheral Pin Selects are not available on default pins in the device's default (Reset) state. Since all RPNR<sub>x</sub> registers reset to '11111' and all RPOR<sub>x</sub> registers reset to '00000', all Peripheral Pin Select inputs are tied to V<sub>SS</sub> and all Peripheral Pin Select outputs are disconnected.

**Note:** RP31 does not have to exist on a device for the registers to be reset to it, or for peripheral pin outputs to be tied to it.

This situation requires the user to initialize the device with the proper peripheral configuration before any other application code is executed. Since the IOLOCK bit resets in the unlocked state, it is not necessary to execute the unlock sequence after the device has come out of Reset. For application safety, however, it is best to set IOLOCK and lock the configuration after writing to the control registers.

Because the unlock sequence is timing-critical, it must be executed as an assembly language routine in the same manner as changes to the oscillator configuration. If the bulk of the application is written in C or another high-level language, the unlock sequence should be performed by writing in-line assembly.

Choosing the configuration requires the review of all Peripheral Pin Selects and their pin assignments, especially those that will not be used in the application. In all cases, unused pin-selectable peripherals should be disabled completely. Unused peripherals should have their inputs assigned to an unused RP<sub>n</sub> pin function. I/O pins with unused RP<sub>n</sub> functions should be configured with the null peripheral output.

The assignment of a peripheral to a particular pin does not automatically perform any other configuration of the pin's I/O circuitry. In theory, this means adding a pin-selectable output to a pin may mean inadvertently driving an existing peripheral input when the output is driven. Users must be familiar with the behavior of other fixed peripherals that share a remappable pin and know when to enable or disable them. To be safe, fixed digital peripherals that share the same pin should be disabled when not in use.

Along these lines, configuring a remappable pin for a specific peripheral does not automatically turn that feature on. The peripheral must be specifically configured for operation and enabled, as if it were tied to a fixed pin. Where this happens in the application code (immediately following device Reset and peripheral configuration or inside the main application routine) depends on the peripheral and its use in the application.

A final consideration is that Peripheral Pin Select functions neither override analog inputs, nor reconfigure pins with analog functions for digital I/O. If a pin is configured as an analog input on device Reset, it must be explicitly reconfigured as digital I/O when used with a Peripheral Pin Select.

Example 10-2 shows a configuration for bidirectional communication with flow control using UART1. The following input and output functions are used:

- Input Functions: U1RX, U1CTS
- Output Functions: U1TX, U1RTS

# PIC24FJ64GB004 FAMILY

## EXAMPLE 10-2: CONFIGURING UART1 INPUT AND OUTPUT FUNCTIONS IN ASSEMBLY CODE

```
;unlock    registers
push      w1;
push      w2;
push      w3;
mov       #OSCCON, w1;
mov       #0x46, w2;
mov       #0x57, w3;
mov.b     w2, [w1];
mov.b     w3, [w1];
bclr     OSCCON, #6;

; Configure Input Functions (Table10-2)
; Assign U1CTS To Pin RP1, U1RX To Pin RP0
mov       #0x0100, w1;
mov       w1, RPINR18;

; Configure Output Functions (Table 10-3)
; Assign U1RTS To Pin RP3, U1TX To Pin RP2
mov       #0x0403, w1;
mov       w1, RPOR1;

;lock     registers
mov       #OSCCON, w1;
mov       #0x46, w2;
mov       #0x57, w3;
mov.b     w2, [w1];
mov.b     w3, [w1];
bset     OSCCON, #6;
pop       w3;
pop       w2;
pop       w1;
```

## EXAMPLE 10-3: CONFIGURING UART1 INPUT AND OUTPUT FUNCTIONS IN 'C'

```
//unlock registers
__builtin_write_OSCCONL(OSCCON & 0xBF);

// Configure Input Functions (Table 9-1)
// Assign U1RX To Pin RP0
RPINR18bits.U1RXR = 0;

// Assign U1CTS To Pin RP1
RPINR18bits.U1CTSR = 1;

// Configure Output Functions (Table 9-2)
// Assign U1TX To Pin RP2
RPOR1bits.RP2R = 3;

// Assign U1RTS To Pin RP3
RPOR1bits.RP3R = 4;

//lock registers
__builtin_write_OSCCONL(OSCCON | 0x40);
```

# PIC24FJ64GB004 FAMILY

## 10.4.6 PERIPHERAL PIN SELECT REGISTERS

The PIC24FJ64GB004 family of devices implements a total of 27 registers for remappable peripheral configuration:

- Input Remappable Peripheral Registers (14)
- Output Remappable Peripheral Registers (13)

**Note:** Input and output register values can only be changed if IOLOCK (OSCCON<6>) = 0. See **Section 10.4.4.1 “Control Register Lock”** for a specific command sequence.

### REGISTER 10-1: RPINR0: PERIPHERAL PIN SELECT INPUT REGISTER 0

|        |     |     |        |        |        |        |        |
|--------|-----|-----|--------|--------|--------|--------|--------|
| U-0    | U-0 | U-0 | R/W-1  | R/W-1  | R/W-1  | R/W-1  | R/W-1  |
| —      | —   | —   | INT1R4 | INT1R3 | INT1R2 | INT1R1 | INT1R0 |
| bit 15 |     |     |        |        |        |        | bit 8  |

|       |     |     |     |     |     |     |       |
|-------|-----|-----|-----|-----|-----|-----|-------|
| U-0   | U-0 | U-0 | U-0 | U-0 | U-0 | U-0 | U-0   |
| —     | —   | —   | —   | —   | —   | —   | —     |
| bit 7 |     |     |     |     |     |     | bit 0 |

**Legend:**

R = Readable bit                      W = Writable bit                      U = Unimplemented bit, read as '0'  
 -n = Value at POR                      '1' = Bit is set                      '0' = Bit is cleared                      x = Bit is unknown

- bit 15-13     **Unimplemented:** Read as '0'
- bit 12-8     **INT1R<4:0>:** Assign External Interrupt 1 (INT1) to Corresponding RPN or RPN Pin bits
- bit 7-0      **Unimplemented:** Read as '0'

### REGISTER 10-2: RPINR1: PERIPHERAL PIN SELECT INPUT REGISTER 1

|        |     |     |     |     |     |     |       |
|--------|-----|-----|-----|-----|-----|-----|-------|
| U-0    | U-0 | U-0 | U-0 | U-0 | U-0 | U-0 | U-0   |
| —      | —   | —   | —   | —   | —   | —   | —     |
| bit 15 |     |     |     |     |     |     | bit 8 |

|       |     |     |        |        |        |        |        |
|-------|-----|-----|--------|--------|--------|--------|--------|
| U-0   | U-0 | U-0 | R/W-1  | R/W-1  | R/W-1  | R/W-1  | R/W-1  |
| —     | —   | —   | INT2R4 | INT2R3 | INT2R2 | INT2R1 | INT2R0 |
| bit 7 |     |     |        |        |        |        | bit 0  |

**Legend:**

R = Readable bit                      W = Writable bit                      U = Unimplemented bit, read as '0'  
 -n = Value at POR                      '1' = Bit is set                      '0' = Bit is cleared                      x = Bit is unknown

- bit 15-5     **Unimplemented:** Read as '0'
- bit 4-0      **INT1R<4:0>:** Assign External Interrupt 2 (INT2) to Corresponding RPN or RPN Pin bits

# PIC24FJ64GB004 FAMILY

## REGISTER 10-3: RPINR3: PERIPHERAL PIN SELECT INPUT REGISTER 3

|        |     |     |        |        |        |        |        |
|--------|-----|-----|--------|--------|--------|--------|--------|
| U-0    | U-0 | U-0 | R/W-1  | R/W-1  | R/W-1  | R/W-1  | R/W-1  |
| —      | —   | —   | T3CKR4 | T3CKR3 | T3CKR2 | T3CKR1 | T3CKR0 |
| bit 15 |     |     |        |        |        |        | bit 8  |

|       |     |     |        |        |        |        |        |
|-------|-----|-----|--------|--------|--------|--------|--------|
| U-0   | U-0 | U-0 | R/W-1  | R/W-1  | R/W-1  | R/W-1  | R/W-1  |
| —     | —   | —   | T2CKR4 | T2CKR3 | T2CKR2 | T2CKR1 | T2CKR0 |
| bit 7 |     |     |        |        |        |        | bit 0  |

### Legend:

R = Readable bit                      W = Writable bit                      U = Unimplemented bit, read as '0'  
 -n = Value at POR                      '1' = Bit is set                      '0' = Bit is cleared                      x = Bit is unknown

- bit 15-13      **Unimplemented:** Read as '0'
- bit 12-8      **T3CKR<4:0>:** Assign Timer3 External Clock (T3CK) to Corresponding RPN or RPN Pin bits
- bit 7-5      **Unimplemented:** Read as '0'
- bit 4-0      **T2CKR<4:0>:** Assign Timer2 External Clock (T2CK) to Corresponding RPN or RPN Pin bits

## REGISTER 10-4: RPINR4: PERIPHERAL PIN SELECT INPUT REGISTER 4

|        |     |     |        |        |        |        |        |
|--------|-----|-----|--------|--------|--------|--------|--------|
| U-0    | U-0 | U-0 | R/W-1  | R/W-1  | R/W-1  | R/W-1  | R/W-1  |
| —      | —   | —   | T5CKR4 | T5CKR3 | T5CKR2 | T5CKR1 | T5CKR0 |
| bit 15 |     |     |        |        |        |        | bit 8  |

|       |     |     |        |        |        |        |        |
|-------|-----|-----|--------|--------|--------|--------|--------|
| U-0   | U-0 | U-0 | R/W-1  | R/W-1  | R/W-1  | R/W-1  | R/W-1  |
| —     | —   | —   | T4CKR4 | T4CKR3 | T4CKR2 | T4CKR1 | T4CKR0 |
| bit 7 |     |     |        |        |        |        | bit 0  |

### Legend:

R = Readable bit                      W = Writable bit                      U = Unimplemented bit, read as '0'  
 -n = Value at POR                      '1' = Bit is set                      '0' = Bit is cleared                      x = Bit is unknown

- bit 15-13      **Unimplemented:** Read as '0'
- bit 12-8      **T5CKR<4:0>:** Assign Timer5 External Clock (T5CK) to Corresponding RPN or RPN Pin bits
- bit 7-5      **Unimplemented:** Read as '0'
- bit 4-0      **T4CKR<4:0>:** Assign Timer4 External Clock (T4CK) to Corresponding RPN or RPN Pin bits



# PIC24FJ64GB004 FAMILY

## REGISTER 10-5: RPINR7: PERIPHERAL PIN SELECT INPUT REGISTER 7

|        |     |     |       |       |       |       |       |
|--------|-----|-----|-------|-------|-------|-------|-------|
| U-0    | U-0 | U-0 | R/W-1 | R/W-1 | R/W-1 | R/W-1 | R/W-1 |
| —      | —   | —   | IC2R4 | IC2R3 | IC2R2 | IC2R1 | IC2R0 |
| bit 15 |     |     |       |       |       |       | bit 8 |

|       |     |     |       |       |       |       |       |
|-------|-----|-----|-------|-------|-------|-------|-------|
| U-0   | U-0 | U-0 | R/W-1 | R/W-1 | R/W-1 | R/W-1 | R/W-1 |
| —     | —   | —   | IC1R4 | IC1R3 | IC1R2 | IC1R1 | IC1R0 |
| bit 7 |     |     |       |       |       |       | bit 0 |

### Legend:

R = Readable bit                      W = Writable bit                      U = Unimplemented bit, read as '0'  
 -n = Value at POR                      '1' = Bit is set                      '0' = Bit is cleared                      x = Bit is unknown

- bit 15-13     **Unimplemented:** Read as '0'
- bit 12-8     **IC2R<4:0>:** Assign Input Capture 2 (IC2) to Corresponding RPn or RPIIn Pin bits
- bit 7-5      **Unimplemented:** Read as '0'
- bit 4-0      **IC1R<4:0>:** Assign Input Capture 1 (IC1) to Corresponding RPn or RPIIn Pin bits

## REGISTER 10-6: RPINR8: PERIPHERAL PIN SELECT INPUT REGISTER 8

|        |     |     |       |       |       |       |       |
|--------|-----|-----|-------|-------|-------|-------|-------|
| U-0    | U-0 | U-0 | R/W-1 | R/W-1 | R/W-1 | R/W-1 | R/W-1 |
| —      | —   | —   | IC4R4 | IC4R3 | IC4R2 | IC4R1 | IC4R0 |
| bit 15 |     |     |       |       |       |       | bit 8 |

|       |     |     |       |       |       |       |       |
|-------|-----|-----|-------|-------|-------|-------|-------|
| U-0   | U-0 | U-0 | R/W-1 | R/W-1 | R/W-1 | R/W-1 | R/W-1 |
| —     | —   | —   | IC3R4 | IC3R3 | IC3R2 | IC3R1 | IC3R0 |
| bit 7 |     |     |       |       |       |       | bit 0 |

### Legend:

R = Readable bit                      W = Writable bit                      U = Unimplemented bit, read as '0'  
 -n = Value at POR                      '1' = Bit is set                      '0' = Bit is cleared                      x = Bit is unknown

- bit 15-13     **Unimplemented:** Read as '0'
- bit 12-8     **IC4R<4:0>:** Assign Input Capture 4 (IC4) to Corresponding RPn or RPIIn Pin bits
- bit 7-5      **Unimplemented:** Read as '0'
- bit 4-0      **IC3R<4:0>:** Assign Input Capture 3 (IC3) to Corresponding RPn or RPIIn Pin bits

# PIC24FJ64GB004 FAMILY

## REGISTER 10-7: RPNR9: PERIPHERAL PIN SELECT INPUT REGISTER 9

|        |     |     |     |     |     |     |       |
|--------|-----|-----|-----|-----|-----|-----|-------|
| U-0    | U-0 | U-0 | U-0 | U-0 | U-0 | U-0 | U-0   |
| —      | —   | —   | —   | —   | —   | —   | —     |
| bit 15 |     |     |     |     |     |     | bit 8 |

|       |     |     |       |       |       |       |       |
|-------|-----|-----|-------|-------|-------|-------|-------|
| U-0   | U-0 | U-0 | R/W-1 | R/W-1 | R/W-1 | R/W-1 | R/W-1 |
| —     | —   | —   | IC5R4 | IC5R3 | IC5R2 | IC5R1 | IC5R0 |
| bit 7 |     |     |       |       |       |       | bit 0 |

### Legend:

R = Readable bit      W = Writable bit      U = Unimplemented bit, read as '0'  
 -n = Value at POR      '1' = Bit is set      '0' = Bit is cleared      x = Bit is unknown

bit 15-5      **Unimplemented:** Read as '0'  
 bit 4-0      **IC5R<4:0>:** Assign Input Capture 5 (IC5) to Corresponding RPN or RPN Pin bits

## REGISTER 10-8: RPNR11: PERIPHERAL PIN SELECT INPUT REGISTER 11

|        |     |     |        |        |        |        |        |
|--------|-----|-----|--------|--------|--------|--------|--------|
| U-0    | U-0 | U-0 | R/W-1  | R/W-1  | R/W-1  | R/W-1  | R/W-1  |
| —      | —   | —   | OCFBR4 | OCFBR3 | OCFBR2 | OCFBR1 | OCFBR0 |
| bit 15 |     |     |        |        |        |        | bit 8  |

|       |     |     |        |        |        |        |        |
|-------|-----|-----|--------|--------|--------|--------|--------|
| U-0   | U-0 | U-0 | R/W-1  | R/W-1  | R/W-1  | R/W-1  | R/W-1  |
| —     | —   | —   | OCFAR4 | OCFAR3 | OCFAR2 | OCFAR1 | OCFAR0 |
| bit 7 |     |     |        |        |        |        | bit 0  |

### Legend:

R = Readable bit      W = Writable bit      U = Unimplemented bit, read as '0'  
 -n = Value at POR      '1' = Bit is set      '0' = Bit is cleared      x = Bit is unknown

bit 15-13      **Unimplemented:** Read as '0'  
 bit 12-8      **OCFBR<4:0>:** Assign Output Compare Fault B (OCFB) to Corresponding RPN or RPN Pin bits  
 bit 7-5      **Unimplemented:** Read as '0'  
 bit 4-0      **OCFAR<4:0>:** Assign Output Compare Fault A (OCFA) to Corresponding RPN or RPN Pin bits

# PIC24FJ64GB004 FAMILY

## REGISTER 10-9: RPINR18: PERIPHERAL PIN SELECT INPUT REGISTER 18

|        |     |     |         |         |         |         |         |
|--------|-----|-----|---------|---------|---------|---------|---------|
| U-0    | U-0 | U-0 | R/W-1   | R/W-1   | R/W-1   | R/W-1   | R/W-1   |
| —      | —   | —   | U1CTSR4 | U1CTSR3 | U1CTSR2 | U1CTSR1 | U1CTSR0 |
| bit 15 |     |     |         |         |         |         | bit 8   |

|       |     |     |        |        |        |        |        |
|-------|-----|-----|--------|--------|--------|--------|--------|
| U-0   | U-0 | U-0 | R/W-1  | R/W-1  | R/W-1  | R/W-1  | R/W-1  |
| —     | —   | —   | U1RXR4 | U1RXR3 | U1RXR2 | U1RXR1 | U1RXR0 |
| bit 7 |     |     |        |        |        |        | bit 0  |

### Legend:

R = Readable bit                      W = Writable bit                      U = Unimplemented bit, read as '0'  
 -n = Value at POR                      '1' = Bit is set                      '0' = Bit is cleared                      x = Bit is unknown

- bit 15-13     **Unimplemented:** Read as '0'
- bit 12-8     **U1CTSR<4:0>:** Assign UART1 Clear to Send ( $\overline{U1CTS}$ ) to Corresponding RPn or RPIn Pin bits
- bit 7-5      **Unimplemented:** Read as '0'
- bit 4-0      **U1RXR<4:0>:** Assign UART1 Receive (U1RX) to Corresponding RPn or RPIn Pin bits

## REGISTER 10-10: RPINR19: PERIPHERAL PIN SELECT INPUT REGISTER 19

|        |     |     |         |         |         |         |         |
|--------|-----|-----|---------|---------|---------|---------|---------|
| U-0    | U-0 | U-0 | R/W-1   | R/W-1   | R/W-1   | R/W-1   | R/W-1   |
| —      | —   | —   | U2CTSR4 | U2CTSR3 | U2CTSR2 | U2CTSR1 | U2CTSR0 |
| bit 15 |     |     |         |         |         |         | bit 8   |

|       |     |     |        |        |        |        |        |
|-------|-----|-----|--------|--------|--------|--------|--------|
| U-0   | U-0 | U-0 | R/W-1  | R/W-1  | R/W-1  | R/W-1  | R/W-1  |
| —     | —   | —   | U2RXR4 | U2RXR3 | U2RXR2 | U2RXR1 | U2RXR0 |
| bit 7 |     |     |        |        |        |        | bit 0  |

### Legend:

R = Readable bit                      W = Writable bit                      U = Unimplemented bit, read as '0'  
 -n = Value at POR                      '1' = Bit is set                      '0' = Bit is cleared                      x = Bit is unknown

- bit 15-13     **Unimplemented:** Read as '0'
- bit 12-8     **U2CTSR<4:0>:** Assign UART2 Clear to Send ( $\overline{U2CTS}$ ) to Corresponding RPn or RPIn Pin bits
- bit 7-5      **Unimplemented:** Read as '0'
- bit 4-0      **U2RXR<4:0>:** Assign UART2 Receive (U2RX) to Corresponding RPn or RPIn Pin bits

# PIC24FJ64GB004 FAMILY

## REGISTER 10-11: RPINR20: PERIPHERAL PIN SELECT INPUT REGISTER 20

|        |     |     |        |        |        |        |        |
|--------|-----|-----|--------|--------|--------|--------|--------|
| U-0    | U-0 | U-0 | R/W-1  | R/W-1  | R/W-1  | R/W-1  | R/W-1  |
| —      | —   | —   | SCK1R4 | SCK1R3 | SCK1R2 | SCK1R1 | SCK1R0 |
| bit 15 |     |     |        |        |        |        | bit 8  |

|       |     |     |        |        |        |        |        |
|-------|-----|-----|--------|--------|--------|--------|--------|
| U-0   | U-0 | U-0 | R/W-1  | R/W-1  | R/W-1  | R/W-1  | R/W-1  |
| —     | —   | —   | SDI1R4 | SDI1R3 | SDI1R2 | SDI1R1 | SDI1R0 |
| bit 7 |     |     |        |        |        |        | bit 0  |

### Legend:

R = Readable bit                      W = Writable bit                      U = Unimplemented bit, read as '0'  
 -n = Value at POR                      '1' = Bit is set                      '0' = Bit is cleared                      x = Bit is unknown

- bit 15-13      **Unimplemented:** Read as '0'
- bit 12-8      **SCK1R<4:0>:** Assign SPI1 Clock Input (SCK1IN) to Corresponding RPn or RPIn Pin bits
- bit 7-5        **Unimplemented:** Read as '0'
- bit 4-0        **SDI1R<4:0>:** Assign SPI1 Data Input (SDI1) to Corresponding RPn or RPIn Pin bits

## REGISTER 10-12: RPINR21: PERIPHERAL PIN SELECT INPUT REGISTER 21

|        |     |     |     |     |     |     |       |
|--------|-----|-----|-----|-----|-----|-----|-------|
| U-0    | U-0 | U-0 | U-0 | U-0 | U-0 | U-0 | U-0   |
| —      | —   | —   | —   | —   | —   | —   | —     |
| bit 15 |     |     |     |     |     |     | bit 8 |

|       |     |     |       |       |       |       |       |
|-------|-----|-----|-------|-------|-------|-------|-------|
| U-0   | U-0 | U-0 | R/W-1 | R/W-1 | R/W-1 | R/W-1 | R/W-1 |
| —     | —   | —   | SS1R4 | SS1R3 | SS1R2 | SS1R1 | SS1R0 |
| bit 7 |     |     |       |       |       |       | bit 0 |

### Legend:

R = Readable bit                      W = Writable bit                      U = Unimplemented bit, read as '0'  
 -n = Value at POR                      '1' = Bit is set                      '0' = Bit is cleared                      x = Bit is unknown

- bit 15-5      **Unimplemented:** Read as '0'
- bit 4-0        **SS1R<4:0>:** Assign SPI1 Slave Select Input (SS1IN) to Corresponding RPn or RPIn Pin bits

# PIC24FJ64GB004 FAMILY

## REGISTER 10-13: RPINR22: PERIPHERAL PIN SELECT INPUT REGISTER 22

|        |     |     |        |        |        |        |        |
|--------|-----|-----|--------|--------|--------|--------|--------|
| U-0    | U-0 | U-0 | R/W-1  | R/W-1  | R/W-1  | R/W-1  | R/W-1  |
| —      | —   | —   | SCK2R4 | SCK2R3 | SCK2R2 | SCK2R1 | SCK2R0 |
| bit 15 |     |     |        |        |        |        | bit 8  |

|       |     |     |        |        |        |        |        |
|-------|-----|-----|--------|--------|--------|--------|--------|
| U-0   | U-0 | U-0 | R/W-1  | R/W-1  | R/W-1  | R/W-1  | R/W-1  |
| —     | —   | —   | SDI2R4 | SDI2R3 | SDI2R2 | SDI2R1 | SDI2R0 |
| bit 7 |     |     |        |        |        |        | bit 0  |

### Legend:

R = Readable bit                      W = Writable bit                      U = Unimplemented bit, read as '0'  
 -n = Value at POR                      '1' = Bit is set                      '0' = Bit is cleared                      x = Bit is unknown

- bit 15-13      **Unimplemented:** Read as '0'
- bit 12-8      **SCK2R<4:0>:** Assign SPI2 Clock Input (SCK2IN) to Corresponding RPn or RPIn Pin bits
- bit 7-5      **Unimplemented:** Read as '0'
- bit 4-0      **SDI2R<4:0>:** Assign SPI2 Data Input (SDI2) to Corresponding RPn or RPIn Pin bits

## REGISTER 10-14: RPINR23: PERIPHERAL PIN SELECT INPUT REGISTER 23

|        |     |     |     |     |     |     |       |
|--------|-----|-----|-----|-----|-----|-----|-------|
| U-0    | U-0 | U-0 | U-0 | U-0 | U-0 | U-0 | U-0   |
| —      | —   | —   | —   | —   | —   | —   | —     |
| bit 15 |     |     |     |     |     |     | bit 8 |

|       |     |     |       |       |       |       |       |
|-------|-----|-----|-------|-------|-------|-------|-------|
| U-0   | U-0 | U-0 | R/W-1 | R/W-1 | R/W-1 | R/W-1 | R/W-1 |
| —     | —   | —   | SS2R4 | SS2R3 | SS2R2 | SS2R1 | SS2R0 |
| bit 7 |     |     |       |       |       |       | bit 0 |

### Legend:

R = Readable bit                      W = Writable bit                      U = Unimplemented bit, read as '0'  
 -n = Value at POR                      '1' = Bit is set                      '0' = Bit is cleared                      x = Bit is unknown

- bit 15-5      **Unimplemented:** Read as '0'
- bit 4-0      **SS2R<4:0>:** Assign SPI2 Slave Select Input (SS2IN) to Corresponding RPn or RPIn Pin bits

# PIC24FJ64GB004 FAMILY

## REGISTER 10-15: RPOR1: PERIPHERAL PIN SELECT OUTPUT REGISTER 1

|        |     |     |       |       |       |       |       |
|--------|-----|-----|-------|-------|-------|-------|-------|
| U-0    | U-0 | U-0 | R/W-0 | R/W-0 | R/W-0 | R/W-0 | R/W-0 |
| —      | —   | —   | RP3R4 | RP3R3 | RP3R2 | RP3R1 | RP3R0 |
| bit 15 |     |     |       |       |       |       | bit 8 |

|       |     |     |       |       |       |       |       |
|-------|-----|-----|-------|-------|-------|-------|-------|
| U-0   | U-0 | U-0 | R/W-0 | R/W-0 | R/W-0 | R/W-0 | R/W-0 |
| —     | —   | —   | RP2R4 | RP2R3 | RP2R2 | RP2R1 | RP2R0 |
| bit 7 |     |     |       |       |       |       | bit 0 |

### Legend:

R = Readable bit                      W = Writable bit                      U = Unimplemented bit, read as '0'  
 -n = Value at POR                      '1' = Bit is set                      '0' = Bit is cleared                      x = Bit is unknown

- bit 15-13      **Unimplemented:** Read as '0'
- bit 12-8      **RP3R<4:0>:** RP3 Output Pin Mapping bits  
Peripheral output number n is assigned to pin, RP3 (see Table 10-3 for peripheral function numbers).
- bit 7-5        **Unimplemented:** Read as '0'
- bit 4-0        **RP2R<4:0>:** RP2 Output Pin Mapping bits  
Peripheral output number n is assigned to pin, RP2 (see Table 10-3 for peripheral function numbers).

## REGISTER 10-16: RPOR1: PERIPHERAL PIN SELECT OUTPUT REGISTER 1

|        |     |     |       |       |       |       |       |
|--------|-----|-----|-------|-------|-------|-------|-------|
| U-0    | U-0 | U-0 | R/W-0 | R/W-0 | R/W-0 | R/W-0 | R/W-0 |
| —      | —   | —   | RP1R4 | RP1R3 | RP1R2 | RP1R1 | RP1R0 |
| bit 15 |     |     |       |       |       |       | bit 8 |

|       |     |     |       |       |       |       |       |
|-------|-----|-----|-------|-------|-------|-------|-------|
| U-0   | U-0 | U-0 | R/W-0 | R/W-0 | R/W-0 | R/W-0 | R/W-0 |
| —     | —   | —   | RP0R4 | RP0R3 | RP0R2 | RP0R1 | RP0R0 |
| bit 7 |     |     |       |       |       |       | bit 0 |

### Legend:

R = Readable bit                      W = Writable bit                      U = Unimplemented bit, read as '0'  
 -n = Value at POR                      '1' = Bit is set                      '0' = Bit is cleared                      x = Bit is unknown

- bit 15-13      **Unimplemented:** Read as '0'
- bit 12-8      **RP1R<4:0>:** RP1 Output Pin Mapping bits  
Peripheral output number n is assigned to pin, RP1 (see Table 10-3 for peripheral function numbers).
- bit 7-5        **Unimplemented:** Read as '0'
- bit 4-0        **RP0R<4:0>:** RP0 Output Pin Mapping bits  
Peripheral output number n is assigned to pin, RP0 (see Table 10-3 for peripheral function numbers).

# PIC24FJ64GB004 FAMILY

## REGISTER 10-17: RPOR2: PERIPHERAL PIN SELECT OUTPUT REGISTER 2

|        |     |     |       |       |       |       |       |
|--------|-----|-----|-------|-------|-------|-------|-------|
| U-0    | U-0 | U-0 | R/W-0 | R/W-0 | R/W-0 | R/W-0 | R/W-0 |
| —      | —   | —   | RP5R4 | RP5R3 | RP5R2 | RP5R1 | RP5R0 |
| bit 15 |     |     |       |       |       |       | bit 8 |

|       |     |     |       |       |       |       |       |
|-------|-----|-----|-------|-------|-------|-------|-------|
| U-0   | U-0 | U-0 | R/W-0 | R/W-0 | R/W-0 | R/W-0 | R/W-0 |
| —     | —   | —   | RP4R4 | RP4R3 | RP4R2 | RP4R1 | RP4R0 |
| bit 7 |     |     |       |       |       |       | bit 0 |

### Legend:

R = Readable bit                      W = Writable bit                      U = Unimplemented bit, read as '0'  
 -n = Value at POR                      '1' = Bit is set                      '0' = Bit is cleared                      x = Bit is unknown

- bit 15-13     **Unimplemented:** Read as '0'
- bit 12-8     **RP5R<4:0>:** RP5 Output Pin Mapping bits<sup>(1)</sup>  
                  Peripheral output number n is assigned to pin, RP5 (see Table 10-3 for peripheral function numbers).
- bit 7-5      **Unimplemented:** Read as '0'
- bit 4-0      **RP4R<4:0>:** RP4 Output Pin Mapping bits  
                  Peripheral output number n is assigned to pin, RP4 (see Table 10-3 for peripheral function numbers).

## REGISTER 10-18: RPOR3: PERIPHERAL PIN SELECT OUTPUT REGISTER 3

|        |     |     |       |       |       |       |       |
|--------|-----|-----|-------|-------|-------|-------|-------|
| U-0    | U-0 | U-0 | R/W-0 | R/W-0 | R/W-0 | R/W-0 | R/W-0 |
| —      | —   | —   | RP7R4 | RP7R3 | RP7R2 | RP7R1 | RP7R0 |
| bit 15 |     |     |       |       |       |       | bit 8 |

|       |     |     |       |       |       |       |       |
|-------|-----|-----|-------|-------|-------|-------|-------|
| U-0   | U-0 | U-0 | R/W-0 | R/W-0 | R/W-0 | R/W-0 | R/W-0 |
| —     | —   | —   | RP6R4 | RP6R3 | RP6R2 | RP6R1 | RP6R0 |
| bit 7 |     |     |       |       |       |       | bit 0 |

### Legend:

R = Readable bit                      W = Writable bit                      U = Unimplemented bit, read as '0'  
 -n = Value at POR                      '1' = Bit is set                      '0' = Bit is cleared                      x = Bit is unknown

- bit 15-13     **Unimplemented:** Read as '0'
- bit 12-8     **RP7R<4:0>:** RP7 Output Pin Mapping bits  
                  Peripheral output number n is assigned to pin, RP7 (see Table 10-3 for peripheral function numbers).
- bit 7-5      **Unimplemented:** Read as '0'
- bit 4-0      **RP6R<4:0>:** RP6 Output Pin Mapping bits  
                  Peripheral output number n is assigned to pin, RP6 (see Table 10-3 for peripheral function numbers).

# PIC24FJ64GB004 FAMILY

## REGISTER 10-19: RPOR4: PERIPHERAL PIN SELECT OUTPUT REGISTER 4

|        |     |     |       |       |       |       |       |
|--------|-----|-----|-------|-------|-------|-------|-------|
| U-0    | U-0 | U-0 | R/W-0 | R/W-0 | R/W-0 | R/W-0 | R/W-0 |
| —      | —   | —   | RP9R4 | RP9R3 | RP9R2 | RP9R1 | RP9R0 |
| bit 15 |     |     |       |       |       |       | bit 8 |

|       |     |     |       |       |       |       |       |
|-------|-----|-----|-------|-------|-------|-------|-------|
| U-0   | U-0 | U-0 | R/W-0 | R/W-0 | R/W-0 | R/W-0 | R/W-0 |
| —     | —   | —   | RP8R4 | RP8R3 | RP8R2 | RP8R1 | RP8R0 |
| bit 7 |     |     |       |       |       |       | bit 0 |

### Legend:

R = Readable bit                      W = Writable bit                      U = Unimplemented bit, read as '0'  
 -n = Value at POR                      '1' = Bit is set                      '0' = Bit is cleared                      x = Bit is unknown

- bit 15-13      **Unimplemented:** Read as '0'
- bit 12-8      **RP9R<4:0>:** RP9 Output Pin Mapping bits  
                   Peripheral output number n is assigned to pin, RP9 (see Table 10-3 for peripheral function numbers).
- bit 7-5        **Unimplemented:** Read as '0'
- bit 4-0        **RP8R<4:0>:** RP8 Output Pin Mapping bits  
                   Peripheral output number n is assigned to pin, RP8 (see Table 10-3 for peripheral function numbers).

## REGISTER 10-20: RPOR5: PERIPHERAL PIN SELECT OUTPUT REGISTER 5

|        |     |     |        |        |        |        |        |
|--------|-----|-----|--------|--------|--------|--------|--------|
| U-0    | U-0 | U-0 | R/W-0  | R/W-0  | R/W-0  | R/W-0  | R/W-0  |
| —      | —   | —   | RP11R4 | RP11R3 | RP11R2 | RP11R1 | RP11R0 |
| bit 15 |     |     |        |        |        |        | bit 8  |

|       |     |     |        |        |        |        |        |
|-------|-----|-----|--------|--------|--------|--------|--------|
| U-0   | U-0 | U-0 | R/W-0  | R/W-0  | R/W-0  | R/W-0  | R/W-0  |
| —     | —   | —   | RP10R4 | RP10R3 | RP10R2 | RP10R1 | RP10R0 |
| bit 7 |     |     |        |        |        |        | bit 0  |

### Legend:

R = Readable bit                      W = Writable bit                      U = Unimplemented bit, read as '0'  
 -n = Value at POR                      '1' = Bit is set                      '0' = Bit is cleared                      x = Bit is unknown

- bit 15-13      **Unimplemented:** Read as '0'
- bit 12-8      **RP11R<4:0>:** RP11 Output Pin Mapping bits  
                   Peripheral output number n is assigned to pin, RP11 (see Table 10-3 for peripheral function numbers).
- bit 7-5        **Unimplemented:** Read as '0'
- bit 4-0        **RP10R<4:0>:** RP10 Output Pin Mapping bits  
                   Peripheral output number n is assigned to pin, RP10 (see Table 10-3 for peripheral function numbers).



# PIC24FJ64GB004 FAMILY

## REGISTER 10-21: RPOR6: PERIPHERAL PIN SELECT OUTPUT REGISTER 6

|        |     |     |        |        |        |        |        |
|--------|-----|-----|--------|--------|--------|--------|--------|
| U-0    | U-0 | U-0 | R/W-0  | R/W-0  | R/W-0  | R/W-0  | R/W-0  |
| —      | —   | —   | RP13R4 | RP13R3 | RP13R2 | RP13R1 | RP13R0 |
| bit 15 |     |     |        |        |        |        | bit 8  |

|       |     |     |     |     |     |     |       |
|-------|-----|-----|-----|-----|-----|-----|-------|
| U-0   | U-0 | U-0 | U-0 | U-0 | U-0 | U-0 | U-0   |
| —     | —   | —   | —   | —   | —   | —   | —     |
| bit 7 |     |     |     |     |     |     | bit 0 |

### Legend:

R = Readable bit

W = Writable bit

U = Unimplemented bit, read as '0'

-n = Value at POR

'1' = Bit is set

'0' = Bit is cleared

x = Bit is unknown

bit 15-13 **Unimplemented:** Read as '0'

bit 12-8 **RP13R<4:0>:** RP13 Output Pin Mapping bits

Peripheral output number n is assigned to pin, RP13 (see Table 10-3 for peripheral function numbers).

bit 7-0 **Unimplemented:** Read as '0'

## REGISTER 10-22: RPOR7: PERIPHERAL PIN SELECT OUTPUT REGISTER 7

|        |     |     |        |        |        |        |        |
|--------|-----|-----|--------|--------|--------|--------|--------|
| U-0    | U-0 | U-0 | R/W-0  | R/W-0  | R/W-0  | R/W-0  | R/W-0  |
| —      | —   | —   | RP15R4 | RP15R3 | RP15R2 | RP15R1 | RP15R0 |
| bit 15 |     |     |        |        |        |        | bit 8  |

|       |     |     |        |        |        |        |        |
|-------|-----|-----|--------|--------|--------|--------|--------|
| U-0   | U-0 | U-0 | R/W-0  | R/W-0  | R/W-0  | R/W-0  | R/W-0  |
| —     | —   | —   | RP14R4 | RP14R3 | RP14R2 | RP14R1 | RP14R0 |
| bit 7 |     |     |        |        |        |        | bit 0  |

### Legend:

R = Readable bit

W = Writable bit

U = Unimplemented bit, read as '0'

-n = Value at POR

'1' = Bit is set

'0' = Bit is cleared

x = Bit is unknown

bit 15-13 **Unimplemented:** Read as '0'

bit 12-8 **RP15R<4:0>:** RP15 Output Pin Mapping bits

Peripheral output number n is assigned to pin, RP0 (see Table 10-3 for peripheral function numbers).

bit 7-5 **Unimplemented:** Read as '0'

bit 4-0 **RP14R<4:0>:** RP14 Output Pin Mapping bits

Peripheral output number n is assigned to pin, RP14 (see Table 10-3 for peripheral function numbers).

# PIC24FJ64GB004 FAMILY

## REGISTER 10-23: RPOR8: PERIPHERAL PIN SELECT OUTPUT REGISTER 8<sup>(1)</sup>

|        |     |     |        |        |        |        |        |
|--------|-----|-----|--------|--------|--------|--------|--------|
| U-0    | U-0 | U-0 | R/W-0  | R/W-0  | R/W-0  | R/W-0  | R/W-0  |
| —      | —   | —   | RP17R4 | RP17R3 | RP17R2 | RP17R1 | RP17R0 |
| bit 15 |     |     |        |        |        |        | bit 8  |

|       |     |     |        |        |        |        |        |
|-------|-----|-----|--------|--------|--------|--------|--------|
| U-0   | U-0 | U-0 | R/W-0  | R/W-0  | R/W-0  | R/W-0  | R/W-0  |
| —     | —   | —   | RP16R4 | RP16R3 | RP16R2 | RP16R1 | RP16R0 |
| bit 7 |     |     |        |        |        |        | bit 0  |

### Legend:

R = Readable bit      W = Writable bit      U = Unimplemented bit, read as '0'  
 -n = Value at POR      '1' = Bit is set      '0' = Bit is cleared      x = Bit is unknown

- bit 15-13      **Unimplemented:** Read as '0'
- bit 12-8      **RP17R<4:0>:** RP17 Output Pin Mapping bits  
Peripheral output number n is assigned to pin, RP17 (see Table 10-3 for peripheral function numbers).
- bit 7-5      **Unimplemented:** Read as '0'
- bit 4-0      **RP16R<4:0>:** RP16 Output Pin Mapping bits  
Peripheral output number n is assigned to pin, RP16 (see Table 10-3 for peripheral function numbers).

**Note 1:** This register is unimplemented in 28-pin devices; all bits read as '0'.

## REGISTER 10-24: RPOR9: PERIPHERAL PIN SELECT OUTPUT REGISTER 9<sup>(1)</sup>

|        |     |     |        |        |        |        |        |
|--------|-----|-----|--------|--------|--------|--------|--------|
| U-0    | U-0 | U-0 | R/W-0  | R/W-0  | R/W-0  | R/W-0  | R/W-0  |
| —      | —   | —   | RP19R4 | RP19R3 | RP19R2 | RP19R1 | RP19R0 |
| bit 15 |     |     |        |        |        |        | bit 8  |

|       |     |     |        |        |        |        |        |
|-------|-----|-----|--------|--------|--------|--------|--------|
| U-0   | U-0 | U-0 | R/W-0  | R/W-0  | R/W-0  | R/W-0  | R/W-0  |
| —     | —   | —   | RP18R4 | RP18R3 | RP18R2 | RP18R1 | RP18R0 |
| bit 7 |     |     |        |        |        |        | bit 0  |

### Legend:

R = Readable bit      W = Writable bit      U = Unimplemented bit, read as '0'  
 -n = Value at POR      '1' = Bit is set      '0' = Bit is cleared      x = Bit is unknown

- bit 15-13      **Unimplemented:** Read as '0'
- bit 12-8      **RP19R<4:0>:** RP19 Output Pin Mapping bits  
Peripheral output number n is assigned to pin, RP19 (see Table 10-3 for peripheral function numbers).
- bit 7-5      **Unimplemented:** Read as '0'
- bit 4-0      **RP18R<4:0>:** RP18 Output Pin Mapping bits  
Peripheral output number n is assigned to pin, RP18 (see Table 10-3 for peripheral function numbers).

**Note 1:** This register is unimplemented in 28-pin devices; all bits read as '0'.

# PIC24FJ64GB004 FAMILY

## REGISTER 10-25: RPOR10: PERIPHERAL PIN SELECT OUTPUT REGISTER 10<sup>(1)</sup>

|        |     |     |        |        |        |        |        |
|--------|-----|-----|--------|--------|--------|--------|--------|
| U-0    | U-0 | U-0 | R/W-0  | R/W-0  | R/W-0  | R/W-0  | R/W-0  |
| —      | —   | —   | RP21R4 | RP21R3 | RP21R2 | RP21R1 | RP21R0 |
| bit 15 |     |     |        |        |        |        | bit 8  |

|       |     |     |        |        |        |        |        |
|-------|-----|-----|--------|--------|--------|--------|--------|
| U-0   | U-0 | U-0 | R/W-0  | R/W-0  | R/W-0  | R/W-0  | R/W-0  |
| —     | —   | —   | RP20R4 | RP20R3 | RP20R2 | RP20R1 | RP20R0 |
| bit 7 |     |     |        |        |        |        | bit 0  |

### Legend:

R = Readable bit                      W = Writable bit                      U = Unimplemented bit, read as '0'  
 -n = Value at POR                      '1' = Bit is set                      '0' = Bit is cleared                      x = Bit is unknown

- bit 15-13     **Unimplemented:** Read as '0'
- bit 12-8     **RP21R<4:0>:** RP21 Output Pin Mapping bits  
Peripheral output number n is assigned to pin, RP21 (see Table 10-3 for peripheral function numbers).
- bit 7-5      **Unimplemented:** Read as '0'
- bit 4-0      **RP20R<4:0>:** RP20 Output Pin Mapping bits  
Peripheral output number n is assigned to pin, RP20 (see Table 10-3 for peripheral function numbers).

**Note 1:** This register is unimplemented in 28-pin devices; all bits read as '0'.

## REGISTER 10-26: RPOR11: PERIPHERAL PIN SELECT OUTPUT REGISTER 11<sup>(1)</sup>

|        |     |     |        |        |        |        |        |
|--------|-----|-----|--------|--------|--------|--------|--------|
| U-0    | U-0 | U-0 | R/W-0  | R/W-0  | R/W-0  | R/W-0  | R/W-0  |
| —      | —   | —   | RP23R4 | RP23R3 | RP23R2 | RP23R1 | RP23R0 |
| bit 15 |     |     |        |        |        |        | bit 8  |

|       |     |     |        |        |        |        |        |
|-------|-----|-----|--------|--------|--------|--------|--------|
| U-0   | U-0 | U-0 | R/W-0  | R/W-0  | R/W-0  | R/W-0  | R/W-0  |
| —     | —   | —   | RP22R4 | RP22R3 | RP22R2 | RP22R1 | RP22R0 |
| bit 7 |     |     |        |        |        |        | bit 0  |

### Legend:

R = Readable bit                      W = Writable bit                      U = Unimplemented bit, read as '0'  
 -n = Value at POR                      '1' = Bit is set                      '0' = Bit is cleared                      x = Bit is unknown

- bit 15-13     **Unimplemented:** Read as '0'
- bit 12-8     **RP23R<4:0>:** RP23 Output Pin Mapping bits  
Peripheral output number n is assigned to pin, RP23 (see Table 10-3 for peripheral function numbers).
- bit 7-5      **Unimplemented:** Read as '0'
- bit 4-0      **RP22R<4:0>:** RP22 Output Pin Mapping bits  
Peripheral output number n is assigned to pin, RP22 (see Table 10-3 for peripheral function numbers).

**Note 1:** This register is unimplemented in 28-pin devices; all bits read as '0'.

# PIC24FJ64GB004 FAMILY

## REGISTER 10-27: RPOR12: PERIPHERAL PIN SELECT OUTPUT REGISTER 12<sup>(1)</sup>

|        |     |     |        |        |        |        |        |
|--------|-----|-----|--------|--------|--------|--------|--------|
| U-0    | U-0 | U-0 | R/W-0  | R/W-0  | R/W-0  | R/W-0  | R/W-0  |
| —      | —   | —   | RP25R4 | RP25R3 | RP25R2 | RP25R1 | RP25R0 |
| bit 15 |     |     |        |        |        |        | bit 8  |

|       |     |     |        |        |        |        |        |
|-------|-----|-----|--------|--------|--------|--------|--------|
| U-0   | U-0 | U-0 | R/W-0  | R/W-0  | R/W-0  | R/W-0  | R/W-0  |
| —     | —   | —   | RP24R4 | RP24R3 | RP24R2 | RP24R1 | RP24R0 |
| bit 7 |     |     |        |        |        |        | bit 0  |

### Legend:

R = Readable bit

W = Writable bit

U = Unimplemented bit, read as '0'

-n = Value at POR

'1' = Bit is set

'0' = Bit is cleared

x = Bit is unknown

bit 15-13 **Unimplemented:** Read as '0'

bit 12-8 **RP25R<5:0>:** RP25 Output Pin Mapping bits  
Peripheral output number n is assigned to pin, RP25 (see Table 10-3 for peripheral function numbers).

bit 7-5 **Unimplemented:** Read as '0'

bit 4-0 **RP24R<5:0>:** RP24 Output Pin Mapping bits  
Peripheral output number n is assigned to pin, RP24 (see Table 10-3 for peripheral function numbers).

**Note 1:** This register is unimplemented in 28-pin devices; all bits read as '0'.

# PIC24FJ64GB004 FAMILY

## 11.0 TIMER1

**Note:** This data sheet summarizes the features of this group of PIC24F devices. It is not intended to be a comprehensive reference source. For more information, refer to the “PIC24F Family Reference Manual”, Section 14. “Timers” (DS39704).

The Timer1 module is a 16-bit timer which can serve as the time counter for the Real-Time Clock (RTC) or operate as a free-running, interval timer/counter. Timer1 can operate in three modes:

- 16-Bit Timer
- 16-Bit Synchronous Counter
- 16-Bit Asynchronous Counter

Timer1 also supports these features:

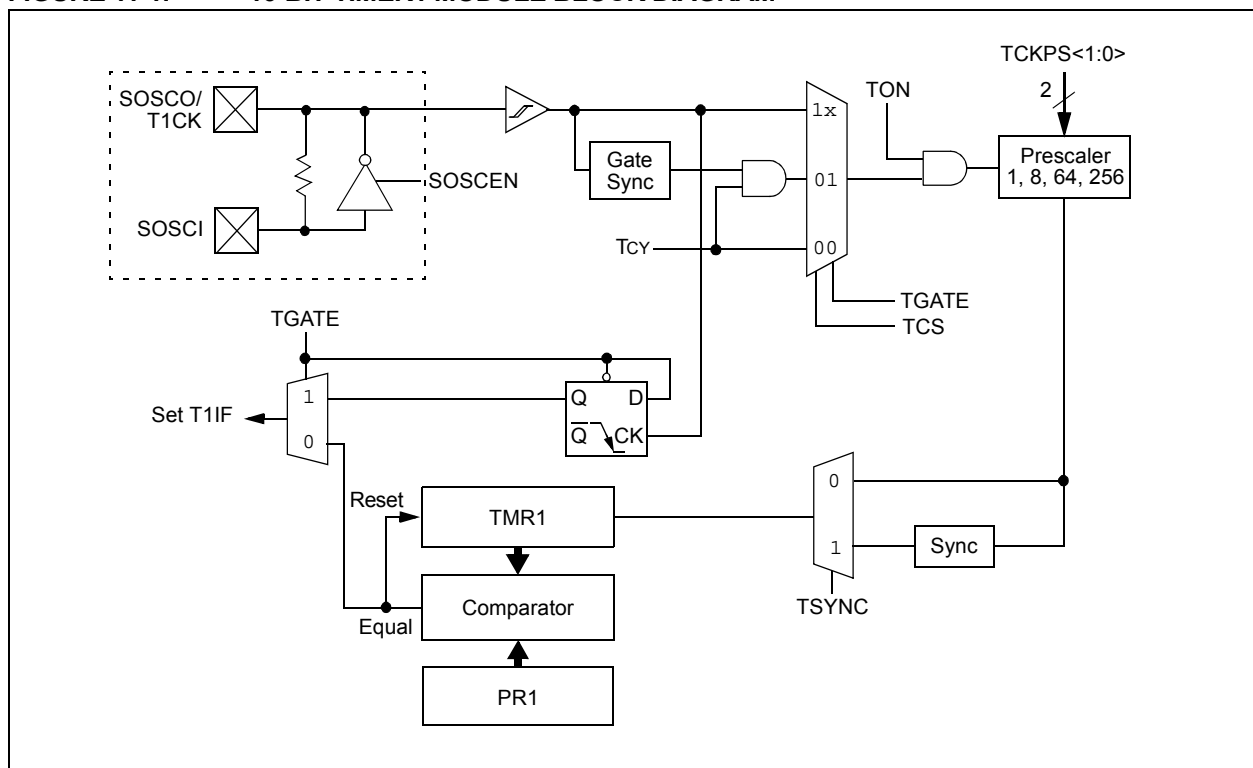
- Timer Gate Operation
- Selectable Prescaler Settings
- Timer Operation during CPU Idle and Sleep modes
- Interrupt on 16-Bit Period Register Match or Falling Edge of External Gate Signal

Figure 11-1 presents a block diagram of the 16-bit timer module.

To configure Timer1 for operation:

1. Set the TON bit (= 1).
2. Select the timer prescaler ratio using the TCKPS<1:0> bits.
3. Set the Clock and Gating modes using the TCS and TGATE bits.
4. Set or clear the TSYNC bit to configure synchronous or asynchronous operation.
5. Load the timer period value into the PR1 register.
6. If interrupts are required, set the interrupt enable bit, T1IE. Use the priority bits, T1IP<2:0>, to set the interrupt priority.

**FIGURE 11-1: 16-BIT TIMER1 MODULE BLOCK DIAGRAM**



# PIC24FJ64GB004 FAMILY

## REGISTER 11-1: T1CON: TIMER1 CONTROL REGISTER<sup>(1)</sup>

|        |     |       |     |     |     |       |     |
|--------|-----|-------|-----|-----|-----|-------|-----|
| R/W-0  | U-0 | R/W-0 | U-0 | U-0 | U-0 | U-0   | U-0 |
| TON    | —   | TSIDL | —   | —   | —   | —     | —   |
| bit 15 |     |       |     |     |     | bit 8 |     |

|       |       |        |        |     |       |       |     |
|-------|-------|--------|--------|-----|-------|-------|-----|
| U-0   | R/W-0 | R/W-0  | R/W-0  | U-0 | R/W-0 | R/W-0 | U-0 |
| —     | TGATE | TCKPS1 | TCKPS0 | —   | TSYNC | TCS   | —   |
| bit 7 |       |        |        |     |       | bit 0 |     |

### Legend:

R = Readable bit                      W = Writable bit                      U = Unimplemented bit, read as '0'  
 -n = Value at POR                      '1' = Bit is set                      '0' = Bit is cleared                      x = Bit is unknown

- bit 15            **TON:** Timer1 On bit  
                   1 = Starts 16-bit Timer1  
                   0 = Stops 16-bit Timer1
- bit 14            **Unimplemented:** Read as '0'
- bit 13            **TSIDL:** Stop in Idle Mode bit  
                   1 = Discontinue module operation when device enters Idle mode  
                   0 = Continue module operation in Idle mode
- bit 12-7        **Unimplemented:** Read as '0'
- bit 6            **TGATE:** Timer1 Gated Time Accumulation Enable bit  
                   When TCS = 1:  
                   This bit is ignored.  
                   When TCS = 0:  
                   1 = Gated time accumulation is enabled  
                   0 = Gated time accumulation is disabled
- bit 5-4        **TCKPS<1:0>:** Timer1 Input Clock Prescale Select bits  
                   11 = 1:256  
                   10 = 1:64  
                   01 = 1:8  
                   00 = 1:1
- bit 3            **Unimplemented:** Read as '0'
- bit 2            **TSYNC:** Timer1 External Clock Input Synchronization Select bit  
                   When TCS = 1:  
                   1 = Synchronize external clock input  
                   0 = Do not synchronize external clock input  
                   When TCS = 0:  
                   This bit is ignored.
- bit 1            **TCS:** Timer1 Clock Source Select bit  
                   1 = External clock from T1CK pin (on the rising edge)  
                   0 = Internal clock (Fosc/2)
- bit 0            **Unimplemented:** Read as '0'

**Note 1:** Changing the value of TxCON while the timer is running (TON = 1) causes the timer prescale counter to reset and is not recommended.

## 12.0 TIMER2/3 AND TIMER4/5

**Note:** This data sheet summarizes the features of this group of PIC24F devices. It is not intended to be a comprehensive reference source. For more information, refer to the “PIC24F Family Reference Manual”, **Section 14. “Timers”** (DS39704).

The Timer2/3 and Timer4/5 modules are 32-bit timers, which can also be configured as four independent 16-bit timers with selectable operating modes.

As 32-bit timers, Timer2/3 and Timer4/5 can each operate in three modes:

- Two Independent 16-Bit Timers with all 16-Bit Operating modes (except Asynchronous Counter mode)
- Single 32-Bit Timer
- Single 32-Bit Synchronous Counter

They also support these features:

- Timer Gate Operation
- Selectable Prescaler Settings
- Timer Operation during Idle and Sleep modes
- Interrupt on a 32-Bit Period Register Match
- ADC Event Trigger (Timer4/5 only)

Individually, all four of the 16-bit timers can function as synchronous timers or counters. They also offer the features listed above, except for the ADC event trigger; this is implemented only with Timer5. The operating modes and enabled features are determined by setting the appropriate bit(s) in the T2CON, T3CON, T4CON and T5CON registers. T2CON and T4CON are shown in generic form in Register 12-1; T3CON and T5CON are shown in Register 12-2.

For 32-bit timer/counter operation, Timer2 and Timer4 are the least significant word; Timer3 and Timer4 are the most significant word of the 32-bit timers.

**Note:** For 32-bit operation, T3CON and T5CON control bits are ignored. Only T2CON and T4CON control bits are used for setup and control. Timer2 and Timer4 clock and gate inputs are utilized for the 32-bit timer modules, but an interrupt is generated with the Timer3 or Timer5 interrupt flags.

To configure Timer2/3 or Timer4/5 for 32-bit operation:

1. Set the T32 bit (T2CON<3> or T4CON<3> = 1).
2. Select the prescaler ratio for Timer2 or Timer4 using the TCKPS<1:0> bits.
3. Set the Clock and Gating modes using the TCS and TGATE bits. If TCS is set to an external clock, RPINRx (TxCK) must be configured to an available RPN pin. See **Section 10.4 “Peripheral Pin Select (PPS)”** for more information.
4. Load the timer period value. PR3 (or PR5) will contain the most significant word of the value while PR2 (or PR4) contains the least significant word.
5. If interrupts are required, set the interrupt enable bit, T3IE or T5IE. Use the priority bits, T3IP<2:0> or T5IP<2:0>, to set the interrupt priority. Note that while Timer2 or Timer4 controls the timer, the interrupt appears as a Timer3 or Timer5 interrupt.
6. Set the TON bit (= 1).

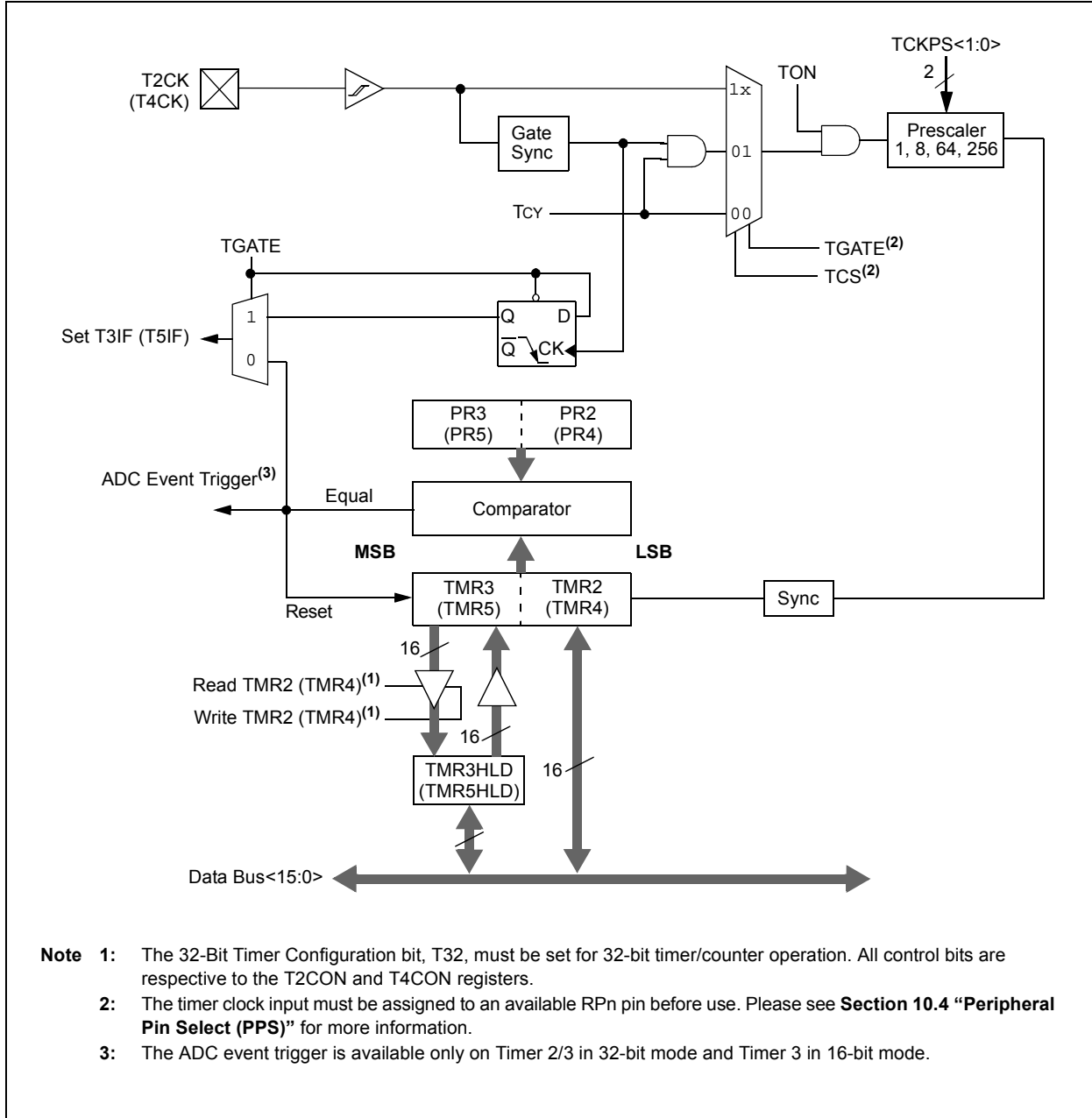
The timer value, at any point, is stored in the register pair, TMR3:TMR2 (or TMR5:TMR4). TMR3 (TMR5) always contains the most significant word of the count, while TMR2 (TMR4) contains the least significant word.

To configure any of the timers for individual 16-bit operation:

1. Clear the T32 bit corresponding to that timer (T2CON<3> for Timer2 and Timer3 or T4CON<3> for Timer4 and Timer5).
2. Select the timer prescaler ratio using the TCKPS<1:0> bits.
3. Set the Clock and Gating modes using the TCS and TGATE bits. See **Section 10.4 “Peripheral Pin Select (PPS)”** for more information.
4. Load the timer period value into the PRx register.
5. If interrupts are required, set the interrupt enable bit, TxIE; use the priority bits, TxIP<2:0>, to set the interrupt priority.
6. Set the TON bit (TxCON<15> = 1).

# PIC24FJ64GB004 FAMILY

**FIGURE 12-1: TIMER2/3 AND TIMER4/5 (32-BIT) BLOCK DIAGRAM**





# PIC24FJ64GB004 FAMILY

**FIGURE 12-2: TIMER2 AND TIMER4 (16-BIT SYNCHRONOUS) BLOCK DIAGRAM**



**FIGURE 12-3: TIMER3 AND TIMER5 (16-BIT ASYNCHRONOUS) BLOCK DIAGRAM**



# PIC24FJ64GB004 FAMILY

**REGISTER 12-1: TxCON: TIMER2 AND TIMER4 CONTROL REGISTER<sup>(3)</sup>**

|        |     |       |     |     |     |       |     |
|--------|-----|-------|-----|-----|-----|-------|-----|
| R/W-0  | U-0 | R/W-0 | U-0 | U-0 | U-0 | U-0   | U-0 |
| TON    | —   | TSIDL | —   | —   | —   | —     | —   |
| bit 15 |     |       |     |     |     | bit 8 |     |

|       |       |        |        |                    |     |                    |     |
|-------|-------|--------|--------|--------------------|-----|--------------------|-----|
| U-0   | R/W-0 | R/W-0  | R/W-0  | R/W-0              | U-0 | R/W-0              | U-0 |
| —     | TGATE | TCKPS1 | TCKPS0 | T32 <sup>(1)</sup> | —   | TCS <sup>(2)</sup> | —   |
| bit 7 |       |        |        |                    |     | bit 0              |     |

**Legend:**

|                   |                  |                                              |
|-------------------|------------------|----------------------------------------------|
| R = Readable bit  | W = Writable bit | U = Unimplemented bit, read as '0'           |
| -n = Value at POR | '1' = Bit is set | '0' = Bit is cleared      x = Bit is unknown |

- bit 15      **TON:** Timerx On bit  
When TxCON<3> = 1:  
 1 = Starts 32-bit Timerx/y  
 0 = Stops 32-bit Timerx/y  
When TxCON<3> = 0:  
 1 = Starts 16-bit Timerx  
 0 = Stops 16-bit Timerx
- bit 14      **Unimplemented:** Read as '0'
- bit 13      **TSIDL:** Stop in Idle Mode bit  
 1 = Discontinue module operation when device enters Idle mode  
 0 = Continue module operation in Idle mode
- bit 12-7    **Unimplemented:** Read as '0'
- bit 6      **TGATE:** Timerx Gated Time Accumulation Enable bit  
When TCS = 1:  
 This bit is ignored.  
When TCS = 0:  
 1 = Gated time accumulation is enabled  
 0 = Gated time accumulation is disabled
- bit 5-4    **TCKPS<1:0>:** Timerx Input Clock Prescale Select bits  
 11 = 1:256  
 10 = 1:64  
 01 = 1:8  
 00 = 1:1
- bit 3      **T32:** 32-Bit Timer Mode Select bit<sup>(1)</sup>  
 1 = Timerx and Timery form a single 32-bit timer  
 0 = Timerx and Timery act as two 16-bit timers  
 In 32-bit mode, T3CON control bits do not affect 32-bit timer operation.
- bit 2      **Unimplemented:** Read as '0'
- bit 1      **TCS:** Timerx Clock Source Select bit<sup>(2)</sup>  
 1 = External clock from pin, TxCK (on the rising edge)  
 0 = Internal clock (Fosc/2)
- bit 0      **Unimplemented:** Read as '0'

- Note 1:** In 32-bit mode, the T3CON or T5CON control bits do not affect 32-bit timer operation.
- 2:** If TCS = 1, RPINRx (TxCK) must be configured to an available RPN pin. For more information, see **Section 10.4 "Peripheral Pin Select (PPS)"**.
- 3:** Changing the value of TxCON while the timer is running (TON = 1) causes the timer prescale counter to reset and is not recommended.

# PIC24FJ64GB004 FAMILY

**REGISTER 12-2: TyCON: TIMER3 AND TIMER5 CONTROL REGISTER<sup>(3)</sup>**

|                    |     |                      |     |     |     |       |     |
|--------------------|-----|----------------------|-----|-----|-----|-------|-----|
| R/W-0              | U-0 | R/W-0                | U-0 | U-0 | U-0 | U-0   | U-0 |
| TON <sup>(1)</sup> | —   | TSIDL <sup>(1)</sup> | —   | —   | —   | —     | —   |
| bit 15             |     |                      |     |     |     | bit 8 |     |

|       |                      |                       |                       |     |     |                      |     |
|-------|----------------------|-----------------------|-----------------------|-----|-----|----------------------|-----|
| U-0   | R/W-0                | R/W-0                 | R/W-0                 | U-0 | U-0 | R/W-0                | U-0 |
| —     | TGATE <sup>(1)</sup> | TCKPS1 <sup>(1)</sup> | TCKPS0 <sup>(1)</sup> | —   | —   | TCS <sup>(1,2)</sup> | —   |
| bit 7 |                      |                       |                       |     |     | bit 0                |     |

**Legend:**

R = Readable bit                      W = Writable bit                      U = Unimplemented bit, read as '0'  
 -n = Value at POR                      '1' = Bit is set                      '0' = Bit is cleared                      x = Bit is unknown

- bit 15            **TON:** Timery On bit<sup>(1)</sup>  
                   1 = Starts 16-bit Timery  
                   0 = Stops 16-bit Timery
- bit 14            **Unimplemented:** Read as '0'
- bit 13            **TSIDL:** Stop in Idle Mode bit<sup>(1)</sup>  
                   1 = Discontinue module operation when device enters Idle mode  
                   0 = Continue module operation in Idle mode
- bit 12-7        **Unimplemented:** Read as '0'
- bit 6            **TGATE:** Timery Gated Time Accumulation Enable bit<sup>(1)</sup>  
                   When TCS = 1:  
                   This bit is ignored.  
                   When TCS = 0:  
                   1 = Gated time accumulation enabled  
                   0 = Gated time accumulation disabled
- bit 5-4        **TCKPS<1:0>:** Timery Input Clock Prescale Select bits<sup>(1)</sup>  
                   11 = 1:256  
                   10 = 1:64  
                   01 = 1:8  
                   00 = 1:1
- bit 3-2        **Unimplemented:** Read as '0'
- bit 1            **TCS:** Timery Clock Source Select bit<sup>(1,2)</sup>  
                   1 = External clock from pin TyCK (on the rising edge)  
                   0 = Internal clock (Fosc/2)
- bit 0            **Unimplemented:** Read as '0'

- Note 1:** When 32-bit operation is enabled (T2CON<3> or T4CON<3> = 1), these bits have no effect on Timery operation; all timer functions are set through T2CON and T4CON.
- 2:** If TCS = 1, RPINRx (TxCK) must be configured to an available RPN pin. See **Section 10.4 “Peripheral Pin Select (PPS)”** for more information.
- 3:** Changing the value of TyCON while the timer is running (TON = 1) causes the timer prescale counter to reset and is not recommended.

# PIC24FJ64GB004 FAMILY

---

NOTES:

# PIC24FJ64GB004 FAMILY

## 13.0 INPUT CAPTURE WITH DEDICATED TIMERS

**Note:** This data sheet summarizes the features of this group of PIC24F devices. It is not intended to be a comprehensive reference source. For more information, refer to the “PIC24F Family Reference Manual”, Section 34. “Input Capture with Dedicated Timer” (DS39722).

Devices in the PIC24FJ64GB004 family all feature 5 independent input capture modules. Each of the modules offers a wide range of configuration and operating options for capturing external pulse events and generating interrupts.

Key features of the input capture module include:

- Hardware-configurable for 32-bit operation in all modes by cascading two adjacent modules
- Synchronous and Trigger modes of output compare operation, with up to 20 user-selectable trigger/sync sources available
- A 4-level FIFO buffer for capturing and holding timer values for several events
- Configurable interrupt generation
- Up to 6 clock sources available for each module, driving a separate internal 16-bit counter

The module is controlled through two registers: ICxCON1 (Register 13-1) and ICxCON2 (Register 13-2). A general block diagram of the module is shown in Figure 13-1.

## 13.1 General Operating Modes

### 13.1.1 SYNCHRONOUS AND TRIGGER MODES

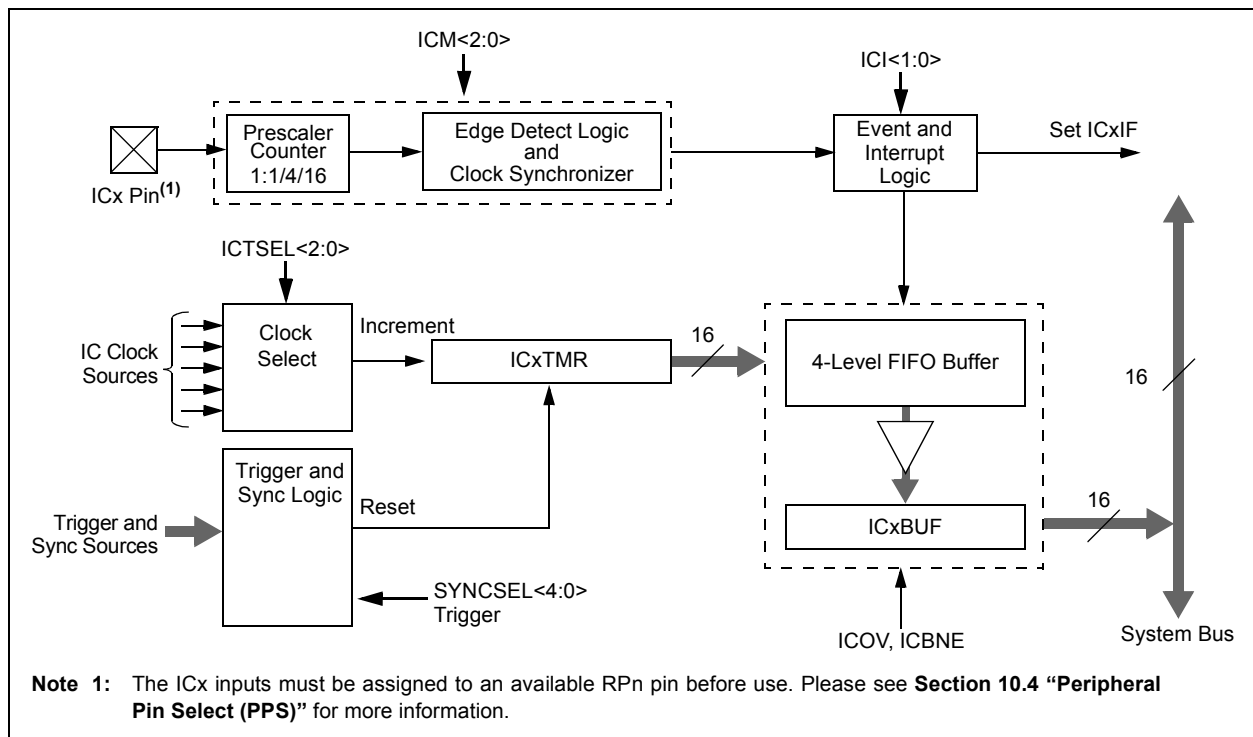
By default, the input capture module operates in a free-running mode. The internal 16-bit counter, ICxTMR, counts up continuously, wrapping around from FFFFh to 0000h on each overflow, with its period synchronized to the selected external clock source. When a capture event occurs, the current 16-bit value of the internal counter is written to the FIFO buffer.

In Synchronous mode, the module begins capturing events on the ICx pin as soon as its selected clock source is enabled. Whenever an event occurs on the selected sync source, the internal counter is reset. In Trigger mode, the module waits for a Sync event from another internal module to occur before allowing the internal counter to run.

Standard, free-running operation is selected by setting the SYNCSEL bits to ‘00000’ and clearing the ICTRIG bit (ICxCON2<7>). Synchronous and Trigger modes are selected any time the SYNCSEL bits are set to any value except ‘00000’. The ICTRIG bit selects either Synchronous or Trigger mode; setting the bit selects Trigger mode operation. In both modes, the SYNCSEL bits determine the sync/trigger source.

When the SYNCSEL bits are set to ‘00000’ and ICTRIG is set, the module operates in Software Trigger mode. In this case, capture operations are started by manually setting the TRIGSTAT bit (ICxCON2<6>).

**FIGURE 13-1: INPUT CAPTURE BLOCK DIAGRAM**



# PIC24FJ64GB004 FAMILY

## 13.1.2 CASCADED (32-BIT) MODE

By default, each module operates independently with its own 16-bit timer. To increase resolution, adjacent even and odd modules can be configured to function as a single 32-bit module. (For example, Modules 1 and 2 are paired, as are modules 3 and 4, and so on.) The odd-numbered module (ICx) provides the Least Significant 16 bits of the 32-bit register pairs, and the even module (ICy) provides the Most Significant 16 bits. Wrap-arounds of the ICx registers cause an increment of their corresponding ICy registers.

Cascaded operation is configured in hardware by setting the IC32 bits (ICxCON2<8>) for both modules.

## 13.2 Capture Operations

The input capture module can be configured to capture timer values and generate interrupts on rising edges on ICx, or all transitions on ICx. Captures can be configured to occur on all rising edges or just some (every 4th or 16th). Interrupts can be independently configured to generate on each event or a subset of events.

To set up the module for capture operations:

1. Configure the ICx input for one of the available Peripheral Pin Select pins.
2. If Synchronous mode is to be used, disable the sync source before proceeding.
3. Make sure that any previous data has been removed from the FIFO by reading ICxBUF until the ICBNE bit (ICxCON1<3>) is cleared.
4. Set the SYNCSEL bits (ICxCON2<4:0>) to the desired sync/trigger source.
5. Set the ICTSEL bits (ICxCON1<12:10>) for the desired clock source. If the desired clock source is running, set the ICTSEL bits before the Input Capture module is enabled for proper synchronization with the desired clock source.
6. Set the ICI bits (ICxCON1<6:5>) to the desired interrupt frequency
7. Select Synchronous or Trigger mode operation:
  - a) Check that the SYNCSEL bits are not set to '00000'.
  - b) For Synchronous mode, clear the ICTRIG bit (ICxCON2<7>).
  - c) For Trigger mode, set ICTRIG and clear the TRIGSTAT bit (ICxCON2<6>).
8. Set the ICM bits (ICxCON1<2:0>) to the desired operational mode.
9. Enable the selected trigger/sync source.

For 32-bit cascaded operations, the setup procedure is slightly different:

1. Set the IC32 bits for both modules (ICyCON2<8> and (ICxCON2<8>), enabling the even-numbered module first. This ensures the modules will start functioning in unison.
2. Set the ICTSEL and SYNCSEL bits for both modules to select the same sync/trigger and time base source. Set the even module first, then the odd module. Both modules must use the same ICTSEL and SYNCSEL settings.
3. Clear the ICTRIG bit of the even module (ICyCON2<7>); this forces the module to run in Synchronous mode with the odd module, regardless of its trigger setting.
4. Use the odd module's ICI bits (ICxCON1<6:5>) to the desired interrupt frequency.
5. Use the ICTRIG bit of the odd module (ICxCON2<7>) to configure Trigger or Synchronous mode operation.

**Note:** For Synchronous mode operation, enable the sync source as the last step. Both input capture modules are held in Reset until the sync source is enabled.

6. Use the ICM bits of the odd module (ICxCON1<2:0>) to set the desired capture mode.

The module is ready to capture events when the time base and the trigger/sync source are enabled. When the ICBNE bit (ICxCON1<3>) becomes set, at least one capture value is available in the FIFO. Read input capture values from the FIFO until the ICBNE clears to '0'.

For 32-bit operation, read both the ICxBUF and ICyBUF for the full 32-bit timer value (ICxBUF for the lsw, ICyBUF for the msw). At least one capture value is available in the FIFO buffer when the odd module's ICBNE bit (ICxCON1<3>) becomes set. Continue to read the buffer registers until ICBNE is cleared (perform automatically by hardware).

# PIC24FJ64GB004 FAMILY

## REGISTER 13-1: ICxCON1: INPUT CAPTURE x CONTROL REGISTER 1

|        |     |        |         |         |         |       |     |
|--------|-----|--------|---------|---------|---------|-------|-----|
| U-0    | U-0 | R/W-0  | R/W-0   | R/W-0   | R/W-0   | U-0   | U-0 |
| —      | —   | ICSIDL | ICTSEL2 | ICTSEL1 | ICTSEL0 | —     | —   |
| bit 15 |     |        |         |         |         | bit 8 |     |

|       |       |       |          |          |                     |                     |                     |
|-------|-------|-------|----------|----------|---------------------|---------------------|---------------------|
| U-0   | R/W-0 | R/W-0 | R-0, HCS | R-0, HCS | R/W-0               | R/W-0               | R/W-0               |
| —     | ICI1  | ICI0  | ICOV     | ICBNE    | ICM2 <sup>(1)</sup> | ICM1 <sup>(1)</sup> | ICM0 <sup>(1)</sup> |
| bit 7 |       |       |          |          |                     | bit 0               |                     |

|                   |                                       |                                    |                    |
|-------------------|---------------------------------------|------------------------------------|--------------------|
| <b>Legend:</b>    | HCS = Hardware Clearable/Settable bit |                                    |                    |
| R = Readable bit  | W = Writable bit                      | U = Unimplemented bit, read as '0' |                    |
| -n = Value at POR | '1' = Bit is set                      | '0' = Bit is cleared               | x = Bit is unknown |

bit 15-14 **Unimplemented:** Read as '0'

bit 13 **ICSIDL:** Input Capture x Module Stop in Idle Control bit  
 1 = Input capture module halts in CPU Idle mode  
 0 = Input capture module continues to operate in CPU Idle mode

bit 12-10 **ICTSEL<2:0>:** Input Capture Timer Select bits  
 111 = System clock (Fosc/2)  
 110 = Reserved  
 101 = Reserved  
 100 = Timer1  
 011 = Timer5  
 010 = Timer4  
 001 = Timer2  
 000 = Timer3

bit 9-7 **Unimplemented:** Read as '0'

bit 6-5 **ICI<1:0>:** Select Number of Captures per Interrupt bits  
 11 = Interrupt on every fourth capture event  
 10 = Interrupt on every third capture event  
 01 = Interrupt on every second capture event  
 00 = Interrupt on every capture event

bit 4 **ICOV:** Input Capture x Overflow Status Flag bit (read-only)  
 1 = Input capture overflow occurred  
 0 = No input capture overflow occurred

bit 3 **ICBNE:** Input Capture x Buffer Empty Status bit (read-only)  
 1 = Input capture buffer is not empty, at least one more capture value can be read  
 0 = Input capture buffer is empty

bit 2-0 **ICM<2:0>:** Input Capture Mode Select bits<sup>(1)</sup>  
 111 = Interrupt mode: input capture functions as interrupt pin only when device is in Sleep or Idle mode (rising edge detect only, all other control bits are not applicable)  
 110 = Unused (module disabled)  
 101 = Prescaler Capture mode: capture on every 16th rising edge  
 100 = Prescaler Capture mode: capture on every 4th rising edge  
 011 = Simple Capture mode: capture on every rising edge  
 010 = Simple Capture mode: capture on every falling edge  
 001 = Edge Detect Capture mode: capture on every edge (rising and falling); ICI<1:0> bits do not control interrupt generation for this mode  
 000 = Input capture module turned off

**Note 1:** The ICx input must also be configured to an available RPN pin. For more information, see **Section 10.4 "Peripheral Pin Select (PPS)"**.

# PIC24FJ64GB004 FAMILY

## REGISTER 13-2: ICxCON2: INPUT CAPTURE x CONTROL REGISTER 2

|        |     |     |     |     |     |     |       |
|--------|-----|-----|-----|-----|-----|-----|-------|
| U-0    | U-0 | U-0 | U-0 | U-0 | U-0 | U-0 | R/W-0 |
| —      | —   | —   | —   | —   | —   | —   | IC32  |
| bit 15 |     |     |     |     |     |     | bit 8 |

|        |           |     |          |          |          |          |          |
|--------|-----------|-----|----------|----------|----------|----------|----------|
| R/W-0  | R/W-0, HS | U-0 | R/W-0    | R/W-1    | R/W-1    | R/W-0    | R/W-1    |
| ICTRIG | TRIGSTAT  | —   | SYNCSEL4 | SYNCSEL3 | SYNCSEL2 | SYNCSEL1 | SYNCSEL0 |
| bit 7  |           |     |          |          |          |          | bit 0    |

|                   |                            |                                    |                    |
|-------------------|----------------------------|------------------------------------|--------------------|
| <b>Legend:</b>    | HS = Hardware Settable bit |                                    |                    |
| R = Readable bit  | W = Writable bit           | U = Unimplemented bit, read as '0' |                    |
| -n = Value at POR | '1' = Bit is set           | '0' = Bit is cleared               | x = Bit is unknown |

- bit 15-9 **Unimplemented:** Read as '0'
- bit 8 **IC32:** Cascade Two IC Modules Enable bit (32-bit operation)  
 1 = ICx and ICy operate in cascade as a 32-bit module (this bit must be set in both modules)  
 0 = ICx functions independently as a 16-bit module
- bit 7 **ICTRIG:** ICx Trigger/Sync Select bit  
 1 = Trigger ICx from source designated by SYNCSELx bits  
 0 = Synchronize ICx with source designated by SYNCSELx bits
- bit 6 **TRIGSTAT:** Timer Trigger Status bit  
 1 = Timer source has been triggered and is running (set in hardware, can be set in software)  
 0 = Timer source has not been triggered and is being held clear
- bit 5 **Unimplemented:** Read as '0'
- bit 4-0 **SYNCSEL<4:0>:** Trigger/Synchronization Source Selection bits  
 11111 = Reserved  
 11110 = Reserved  
 11101 = Reserved  
 11100 = CTMU<sup>(1)</sup>  
 11011 = A/D<sup>(1)</sup>  
 11010 = Comparator 3<sup>(1)</sup>  
 11001 = Comparator 2<sup>(1)</sup>  
 11000 = Comparator 1<sup>(1)</sup>  
 10111 = Input Capture 4  
 10110 = Input Capture 3  
 10101 = Input Capture 2  
 10100 = Input Capture 1  
 10011 = Reserved  
 10010 = Reserved  
 1000x = Reserved  
 01111 = Timer5  
 01110 = Timer4  
 01101 = Timer3  
 01100 = Timer2  
 01011 = Timer1  
 01010 = Input Capture 5  
 01001 = Reserved  
 01000 = Reserved  
 00111 = Reserved  
 00110 = Reserved  
 00101 = Output Compare 5  
 00100 = Output Compare 4  
 00011 = Output Compare 3  
 00010 = Output Compare 2  
 00001 = Output Compare 1  
 00000 = Not synchronized to any other module

**Note 1:** Use these inputs as trigger sources only and never as sync sources.



## 14.0 OUTPUT COMPARE WITH DEDICATED TIMERS

**Note:** This data sheet summarizes the features of this group of PIC24F devices. It is not intended to be a comprehensive reference source. For more information, refer to the “PIC24F Family Reference Manual”, **Section 35. “Output Capture with Dedicated Timer”** (DS39723).

All devices in the PIC24FJ64GB004 family features 5 independent output compare modules. Each of these modules offers a wide range of configuration and operating options for generating pulse trains on internal device events, and can produce Pulse-Width Modulated (PWM) waveforms for driving power applications.

Key features of the output compare module include:

- Hardware-configurable for 32-bit operation in all modes by cascading two adjacent modules
- Synchronous and Trigger modes of output compare operation, with up to 21 user-selectable trigger/sync sources available
- Two separate Period registers (a main register, OCxR, and a secondary register, OCxRS) for greater flexibility in generating pulses of varying widths
- Configurable for single pulse or continuous pulse generation on an output event or continuous PWM waveform generation
- Up to 6 clock sources available for each module, driving a separate internal 16-bit counter

### 14.1 General Operating Modes

#### 14.1.1 SYNCHRONOUS AND TRIGGER MODES

By default, the output compare module operates in a Free-Running mode. The internal 16-bit counter, OCxTMR, runs counts up continuously, wrapping around from FFFFh to 0000h on each overflow with its period synchronized to the selected external clock source. Compare or PWM events are generated each time a match between the internal counter and one of the Period registers occurs.

In Synchronous mode, the module begins performing its compare or PWM operation as soon as its selected clock source is enabled. Whenever an event occurs on the selected sync source, the module's internal counter is reset. In Trigger mode, the module waits for a sync event from another internal module to occur before allowing the counter to run.

Free-Running mode is selected by default or any time that the SYNCSEL bits (OCxCON2<4:0>) are set to '00000'. Synchronous or Trigger modes are selected any time the SYNCSEL bits are set to any value except '00000'. The OCTRIG bit (OCxCON2<7>) selects either Synchronous or Trigger mode; setting the bit selects Trigger mode operation. In both modes, the SYNCSEL bits determine the sync/trigger source.

#### 14.1.2 CASCADED (32-BIT) MODE

By default, each module operates independently with its own set of 16-bit Timer and Duty Cycle registers. To increase the range, adjacent even and odd modules can be configured to function as a single 32-bit module. (For example, Modules 1 and 2 are paired, as are Modules 3 and 4, and so on.) The odd-numbered module (OCx) provides the Least Significant 16 bits of the 32-bit register pairs and the even-numbered module (OCy) provides the Most Significant 16 bits. Wrap-arounds of the OCx registers cause an increment of their corresponding OCy registers.

Cascaded operation is configured in hardware by setting the OC32 bit (OCxCON2<8>) for both modules.

# PIC24FJ64GB004 FAMILY

FIGURE 14-1: OUTPUT COMPARE BLOCK DIAGRAM (16-BIT MODE)



## 14.2 Compare Operations

In Compare mode (Figure 14-1), the output compare module can be configured for single-shot or continuous pulse generation; it can also repeatedly toggle an output pin on each timer event.

To set up the module for compare operations:

1. Configure the OCx output for one of the available Peripheral Pin Select pins.
2. Calculate the required values for the OCxR and (for Double Compare modes) OCxRS Duty Cycle registers:
  - a) Determine the instruction clock cycle time. Take into account the frequency of the external clock to the timer source (if one is used) and the timer prescaler settings.
  - b) Calculate time to the rising edge of the output pulse relative to the timer start value (0000h).
  - c) Calculate the time to the falling edge of the pulse based on the desired pulse width and the time to the rising edge of the pulse.
3. Write the rising edge value to OCxR and the falling edge value to OCxRS.
4. For Trigger mode operations, set OCTRIG to enable Trigger mode. Set or clear TRIGMODE to configure trigger operation and TRIGSTAT to select a hardware or software trigger. For Synchronous mode, clear OCTRIG.
5. Set the SYNCSEL<4:0> bits to configure the trigger or synchronization source. If free-running timer operation is required, set the SYNCSEL bits to '00000' (no sync/trigger source).
6. Select the time base source with the OCTSEL<2:0> bits. If the desired clock source is running, set the OCTSEL<2:0> bits before the output compare module is enabled for proper synchronization with the desired clock source. If necessary, set the TON bit for the selected timer which enables the compare time base to count. Synchronous mode operation starts as soon as the synchronization source is enabled. Trigger mode operation starts after a trigger source event occurs.
7. Set the OCM<2:0> bits for the appropriate compare operation (= 0xx).

For 32-bit cascaded operation, these steps are also necessary:

1. Set the OC32 bits for both registers (OCyCON2<8> and (OCxCON2<8>). Enable the even-numbered module first to ensure the modules will start functioning in unison.
2. Clear the OCTRIG bit of the even module (OCyCON2), so the module will run in Synchronous mode.
3. Configure the desired output and Fault settings for OCy.
4. Force the output pin for OCx to the output state by clearing the OCTRIS bit.
5. If Trigger mode operation is required, configure the trigger options in OCx by using the OCTRIG (OCxCON2<7>), TRIGSTAT (OCxCON2<6>) and SYNCSEL (OCxCON2<4:0>) bits.
6. Configure the desired Compare or PWM mode of operation (OCM<2:0>) for OCy first, then for OCx.

Depending on the output mode selected, the module holds the OCx pin in its default state and forces a transition to the opposite state when OCxR matches the timer. In Double Compare modes, OCx is forced back to its default state when a match with OCxRS occurs. The OCxIF interrupt flag is set after an OCxR match in Single Compare modes and after each OCxRS match in Double Compare modes.

Single-shot pulse events only occur once, but may be repeated by simply rewriting the value of the OCxCON1 register. Continuous pulse events continue indefinitely until terminated.

# PIC24FJ64GB004 FAMILY

## 14.3 Pulse-Width Modulation (PWM) Mode

In PWM mode, the output compare module can be configured for edge-aligned or center-aligned pulse waveform generation. All PWM operations are double-buffered (buffer registers are internal to the module and are not mapped into SFR space).

To configure the output compare module for edge-aligned PWM operation:

1. Configure the OCx output for one of the available Peripheral Pin Select pins.
2. Calculate the desired on-time and load it into the OCxR register.
3. Calculate the desired period and load it into the OCxRS register.
4. Select the current OCx as the synchronization source by writing 0x1F to SYNCSEL<4:0> (OCxCON2<4:0>) and '0' to OCTRIG (OCxCON2<7>).

5. Select a clock source by writing to the OCTSEL2<2:0> (OCxCON1<12:10>) bits.
6. Enable interrupts, if required, for the timer and output compare modules. The output compare interrupt is required for PWM Fault pin utilization.
7. Select the desired PWM mode in the OCM<2:0> (OCxCON1<2:0>) bits.
8. If a timer is selected as a clock source, set the TMRy prescale value and enable the time base by setting the TON (TxCON<15>) bit.

**Note:** This peripheral contains input and output functions that may need to be configured by the Peripheral Pin Select. See **Section 10.4 “Peripheral Pin Select (PPS)”** for more information.

**FIGURE 14-2: OUTPUT COMPARE BLOCK DIAGRAM (DOUBLE-BUFFERED, 16-BIT PWM MODE)**



# PIC24FJ64GB004 FAMILY

## 14.3.1 PWM PERIOD

In edge aligned PWM mode, the period is specified by the value of OCxRS register. In center aligned PWM mode, the period of the synchronization source such as Timer's PRy specifies the period. The period in both cases can be calculated using Equation 14-1.

### EQUATION 14-1: CALCULATING THE PWM PERIOD<sup>(1)</sup>

$$\text{PWM Period} = [\text{Value} + 1] \times \text{TCY} \times (\text{Prescaler Value})$$

Where: Value = OCxRS in Edge-Aligned PWM mode and can be PRy in Center-Aligned PWM mode (If TMRy is the sync source).

**Note 1:** Based on TCY = TOSC \* 2; Doze mode and PLL are disabled.

## 14.3.2 PWM DUTY CYCLE

The PWM duty cycle is specified by writing to the OCxRS and OCxR registers. The OCxRS and OCxR registers can be written to at any time, but the duty cycle value is not latched until a period is complete. This provides a double buffer for the PWM duty cycle and is essential for glitchless PWM operation.

Some important boundary parameters of the PWM duty cycle include:

- Edge-Aligned PWM
  - If OCxR and OCxRS are loaded with 0000h, the OCx pin will remain low (0% duty cycle).
  - If OCxRS is greater than OCxR, the pin will remain high (100% duty cycle).
- Center-Aligned PWM (with TMRy as the sync source)
  - If OCxR, OCxRS and PRy are all loaded with 0000h, the OCx pin will remain low (0% duty cycle).
  - If OCxRS is greater than PRy, the pin will go high (100% duty cycle).

See Example 14-1 for PWM mode timing details. Table 14-1 and Table 14-2 show example PWM frequencies and resolutions for a device operating at 4 MIPS and 10 MIPS, respectively.

### EQUATION 14-2: CALCULATION FOR MAXIMUM PWM RESOLUTION<sup>(1)</sup>

$$\text{Maximum PWM Resolution (bits)} = \frac{\log_{10}\left(\frac{\text{FCY}}{\text{FPWM} \cdot (\text{Prescale Value})}\right)}{\log_{10}(2)} \text{ bits}$$

**Note 1:** Based on FCY = FOSC/2; Doze mode and PLL are disabled.

### EXAMPLE 14-1: PWM PERIOD AND DUTY CYCLE CALCULATIONS<sup>(1)</sup>

1. Find the OCxRS register value for a desired PWM frequency of 52.08 kHz, where FOSC = 8 MHz with PLL (32 MHz device clock rate) and a prescaler setting of 1:1 using Edge-Aligned PWM mode.

$$\text{TCY} = 2 * \text{TOSC} = 62.5 \text{ ns}$$

$$\text{PWM Period} = 1/\text{PWM Frequency} = 1/52.08 \text{ kHz} = 19.2 \mu\text{s}$$

$$\text{PWM Period} = (\text{OCxRS} + 1) \cdot \text{TCY} \cdot (\text{OCx Prescale Value})$$

$$19.2 \mu\text{s} = (\text{OCxRS} + 1) \cdot 62.5 \text{ ns} \cdot 1$$

$$\text{OCxRS} = 306$$

2. Find the maximum resolution of the duty cycle that can be used with a 52.08 kHz frequency and a 32 MHz device clock rate:

$$\text{PWM Resolution} = \log_{10}(\text{FCY}/\text{FPWM})/\log_{10}(2) \text{ bits}$$

$$= (\log_{10}(16 \text{ MHz}/52.08 \text{ kHz})/\log_{10}(2)) \text{ bits}$$

$$= 8.3 \text{ bits}$$

**Note 1:** Based on TCY = 2 \* TOSC; Doze mode and PLL are disabled.

# PIC24FJ64GB004 FAMILY

## 14.4 Subcycle Resolution

The DCB bits (OCxCON2<10:9>) provide for resolution better than one instruction cycle. When used, they delay the falling edge generated by a match event by a portion of an instruction cycle.

For example, setting DCB<1:0> = 10 causes the falling edge to occur half way through the instruction cycle in which the match event occurs, instead of at the beginning. These bits cannot be used when OCM<2:0> = 001. When operating the module in PWM mode (OCM<2:0> = 110 or 111), the DCB bits will be double-buffered.

The DCB bits are intended for use with a clock source identical to the system clock. When an OCx module with enabled prescaler is used, the falling edge delay caused by the DCB bits will be referenced to the system clock period, rather than the OCx module's period.

**TABLE 14-1: EXAMPLE PWM FREQUENCIES AND RESOLUTIONS AT 4 MIPS (F<sub>cy</sub> = 4 MHz)<sup>(1)</sup>**

| PWM Frequency     | 7.6 Hz | 61 Hz | 122 Hz | 977 Hz | 3.9 kHz | 31.3 kHz | 125 kHz |
|-------------------|--------|-------|--------|--------|---------|----------|---------|
| Prescaler Ratio   | 8      | 1     | 1      | 1      | 1       | 1        | 1       |
| Period Value      | FFFFh  | FFFFh | 7FFFh  | 0FFFh  | 03FFh   | 007Fh    | 001Fh   |
| Resolution (bits) | 16     | 16    | 15     | 12     | 10      | 7        | 5       |

**Note 1:** Based on F<sub>cy</sub> = F<sub>osc</sub>/2; Doze mode and PLL are disabled.

**TABLE 14-2: EXAMPLE PWM FREQUENCIES AND RESOLUTIONS AT 16 MIPS (F<sub>cy</sub> = 16 MHz)<sup>(1)</sup>**

| PWM Frequency     | 30.5 Hz | 244 Hz | 488 Hz | 3.9 kHz | 15.6 kHz | 125 kHz | 500 kHz |
|-------------------|---------|--------|--------|---------|----------|---------|---------|
| Prescaler Ratio   | 8       | 1      | 1      | 1       | 1        | 1       | 1       |
| Period Value      | FFFFh   | FFFFh  | 7FFFh  | 0FFFh   | 03FFh    | 007Fh   | 001Fh   |
| Resolution (bits) | 16      | 16     | 15     | 12      | 10       | 7       | 5       |

**Note 1:** Based on F<sub>cy</sub> = F<sub>osc</sub>/2; Doze mode and PLL are disabled.

# PIC24FJ64GB004 FAMILY

**REGISTER 14-1: OCxCON1: OUTPUT COMPARE x CONTROL REGISTER 1**

|        |     |        |         |         |         |                       |        |
|--------|-----|--------|---------|---------|---------|-----------------------|--------|
| U-0    | U-0 | R/W-0  | R/W-0   | R/W-0   | R/W-0   | R/W-0                 | R/W-0  |
| —      | —   | OCSIDL | OCTSEL2 | OCTSEL1 | OCTSEL0 | ENFLT2 <sup>(2)</sup> | ENFLT1 |
| bit 15 |     |        |         |         |         |                       | bit 8  |

|        |            |            |            |          |                     |                     |                     |
|--------|------------|------------|------------|----------|---------------------|---------------------|---------------------|
| R/W-0  | R/W-0, HCS | R/W-0, HCS | R/W-0, HCS | R/W-0    | R/W-0               | R/W-0               | R/W-0               |
| ENFLT0 | OCFLT2     | OCFLT1     | OCFLT0     | TRIGMODE | OCM2 <sup>(1)</sup> | OCM1 <sup>(1)</sup> | OCM0 <sup>(1)</sup> |
| bit 7  |            |            |            |          |                     |                     | bit 0               |

|                   |                                       |                                    |                    |
|-------------------|---------------------------------------|------------------------------------|--------------------|
| <b>Legend:</b>    | HCS = Hardware Clearable/Settable bit |                                    |                    |
| R = Readable bit  | W = Writable bit                      | U = Unimplemented bit, read as '0' |                    |
| -n = Value at POR | '1' = Bit is set                      | '0' = Bit is cleared               | x = Bit is unknown |

- bit 15-14    **Unimplemented:** Read as '0'
- bit 13      **OCSIDL:** Stop Output Compare x in Idle Mode Control bit  
               1 = Output compare x halts in CPU Idle mode  
               0 = Output compare x continues to operate in CPU Idle mode
- bit 12-10   **OCTSEL<2:0>:** Output Compare x Timer Select bits  
               111 = System clock  
               110 = Reserved  
               101 = Reserved  
               100 = Timer1  
               011 = Timer5  
               010 = Timer4  
               001 = Timer3  
               000 = Timer2
- bit 9        **ENFLT2:** Comparator Fault Input Enable bit<sup>(2)</sup>  
               1 = Comparator Fault input is enabled  
               0 = Comparator Fault input is disabled
- bit 8        **ENFLT1:** OCFB Fault Input Enable bit  
               1 = OCFB Fault input is enabled  
               0 = OCFB Fault input is disabled
- bit 7        **ENFLT0:** OCFA Fault Input Enable bit  
               1 = OCFA Fault input is enabled  
               0 = OCFA Fault input is disabled
- bit 6        **OCFLT2:** PWM Comparator Fault Condition Status bit<sup>(2)</sup>  
               1 = PWM comparator Fault condition has occurred (this is cleared in hardware only)  
               0 = PWM comparator Fault condition has not occurred (this bit is used only when OCM<2:0> = 111)
- bit 5        **OCFLT1:** PWM OCFB Fault Input Enable bit  
               1 = PWM OCFB Fault condition has occurred (this is cleared in hardware only)  
               0 = PWM OCFB Fault condition has not occurred (this bit is used only when OCM<2:0> = 111)
- bit 4        **OCFLT0:** PWM OCFA Fault Condition Status bit  
               1 = PWM OCFA Fault condition has occurred (this is cleared in hardware only)  
               0 = PWM OCFA Fault condition has not occurred (this bit is used only when OCM<2:0> = 111)
- bit 3        **TRIGMODE:** Trigger Status Mode Select bit  
               1 = TRIGSTAT (OCxCON2<6>) is cleared when OCxRS = OCxTMR or in software  
               0 = TRIGSTAT is only cleared by software

- Note 1:** The OCx output must also be configured to an available RPN pin. For more information, see **Section 10.4 "Peripheral Pin Select (PPS)"**.
- Note 2:** The comparator module used for Fault input varies with the OCx module. OC1 and OC2 use Comparator 1; OC3 and OC4 use Comparator 2; OC5 uses Comparator 3.

# PIC24FJ64GB004 FAMILY

---

## REGISTER 14-1: OCxCON1: OUTPUT COMPARE x CONTROL REGISTER 1 (CONTINUED)

bit 2-0      **OCM<2:0>**: Output Compare x Mode Select bits<sup>(1)</sup>

- 111 = Center-Aligned PWM mode on OCx
- 110 = Edge-Aligned PWM mode on OCx
- 101 = Double Compare Continuous Pulse mode: initialize OCx pin low, toggle OCx state continuously on alternate matches of OCxR and OCxRS
- 100 = Double Compare Single-Shot mode: initialize OCx pin low, toggle OCx state on matches of OCxR and OCxRS for one cycle
- 011 = Single Compare Continuous Pulse mode: compare events continuously toggle OCx pin
- 010 = Single Compare Single-Shot mode: initialize OCx pin high, compare event forces OCx pin low
- 001 = Single Compare Single-Shot mode: initialize OCx pin low, compare event forces OCx pin high
- 000 = Output compare channel is disabled

**Note 1:** The OCx output must also be configured to an available RPN pin. For more information, see **Section 10.4 “Peripheral Pin Select (PPS)”**.

**2:** The comparator module used for Fault input varies with the OCx module. OC1 and OC2 use Comparator 1; OC3 and OC4 use Comparator 2; OC5 uses Comparator 3.



# PIC24FJ64GB004 FAMILY

## REGISTER 14-2: OCxCON2: OUTPUT COMPARE x CONTROL REGISTER 2

|        |        |          |       |     |                     |                     |       |
|--------|--------|----------|-------|-----|---------------------|---------------------|-------|
| R/W-0  | R/W-0  | R/W-0    | R/W-0 | U-0 | R/W-0               | R/W-0               | R/W-0 |
| FLTMD  | FLTOUT | FLTTRIEN | OCINV | —   | DCB1 <sup>(3)</sup> | DCB0 <sup>(3)</sup> | OC32  |
| bit 15 |        |          |       |     |                     |                     | bit 8 |

|        |           |        |          |          |          |          |          |
|--------|-----------|--------|----------|----------|----------|----------|----------|
| R/W-0  | R/W-0, HS | R/W-0  | R/W-0    | R/W-1    | R/W-1    | R/W-0    | R/W-0    |
| OCTRIG | TRIGSTAT  | OCTRIS | SYNCSEL4 | SYNCSEL3 | SYNCSEL2 | SYNCSEL1 | SYNCSEL0 |
| bit 7  |           |        |          |          |          |          | bit 0    |

|                   |                                    |
|-------------------|------------------------------------|
| <b>Legend:</b>    | HS = Hardware Settable bit         |
| R = Readable bit  | W = Writable bit                   |
| -n = Value at POR | '1' = Bit is set                   |
|                   | U = Unimplemented bit, read as '0' |
|                   | '0' = Bit is cleared               |
|                   | x = Bit is unknown                 |

- bit 15     **FLTMD:** Fault Mode Select bit  
 1 = Fault mode is maintained until the Fault source is removed and the corresponding OCFLT0 bit is cleared in software  
 0 = Fault mode is maintained until the Fault source is removed and a new PWM period starts
- bit 14     **FLTOUT:** Fault Out bit  
 1 = PWM output is driven high on a Fault  
 0 = PWM output is driven low on a Fault
- bit 13     **FLTTRIEN:** Fault Output State Select bit  
 1 = Pin is forced to an output on a Fault condition  
 0 = Pin I/O condition is unaffected by a Fault
- bit 12     **OCINV:** OCMP Invert bit  
 1 = OCx output is inverted  
 0 = OCx output is not inverted
- bit 11     **Unimplemented:** Read as '0'
- bit 10-9   **DCB<1:0>:** OC Pulse-Width Least Significant bits<sup>(3)</sup>  
 11 = Delay OCx falling edge by 3/4 of the instruction cycle  
 10 = Delay OCx falling edge by 1/2 of the instruction cycle  
 01 = Delay OCx falling edge by 1/4 of the instruction cycle  
 00 = OCx falling edge occurs at start of the instruction cycle
- bit 8     **OC32:** Cascade Two OC Modules Enable bit (32-bit operation)  
 1 = Cascade module operation enabled  
 0 = Cascade module operation disabled
- bit 7     **OCTRIG:** OCx Trigger/Sync Select bit  
 1 = Trigger OCx from source designated by SYNCSELx bits  
 0 = Synchronize OCx with source designated by SYNCSELx bits
- bit 6     **TRIGSTAT:** Timer Trigger Status bit  
 1 = Timer source has been triggered and is running  
 0 = Timer source has not been triggered and is being held clear
- bit 5     **OCTRIS:** OCx Output Pin Direction Select bit  
 1 = OCx pin is tri-stated  
 0 = Output compare peripheral x connected to OCx pin

- Note 1:** Do not use an OC module as its own trigger source, either by selecting this mode or another equivalent SYNCSEL setting.
- 2:** Use these inputs as trigger sources only and never as sync sources.
- 3:** These bits affect the rising edge when OCINV = 1. The bits have no effect when the OCM bits (OCxCON1<1:0>) = 001.

# PIC24FJ64GB004 FAMILY

---

## REGISTER 14-2: OCxCON2: OUTPUT COMPARE x CONTROL REGISTER 2 (CONTINUED)

bit 4-0      **SYNCSEL<4:0>**: Trigger/Synchronization Source Selection bits

11111 = This OC module<sup>(1)</sup>  
11110 = Reserved  
11101 = Reserved  
11100 = CTMU<sup>(2)</sup>  
11011 = A/D<sup>(2)</sup>  
11010 = Comparator 3<sup>(2)</sup>  
11001 = Comparator 2<sup>(2)</sup>  
11000 = Comparator 1<sup>(2)</sup>  
10111 = Input Capture 4<sup>(2)</sup>  
10110 = Input Capture 3<sup>(2)</sup>  
10101 = Input Capture 2<sup>(2)</sup>  
10100 = Input Capture 1<sup>(2)</sup>  
100xx = Reserved  
01111 = Timer5  
01110 = Timer4  
01101 = Timer3  
01100 = Timer2  
01011 = Timer1  
01010 = Input Capture 5<sup>(2)</sup>  
01001 = Reserved  
01000 = Reserved  
00111 = Reserved  
00110 = Reserved  
00101 = Output Compare 5<sup>(1)</sup>  
00100 = Output Compare 4<sup>(1)</sup>  
00011 = Output Compare 3<sup>(1)</sup>  
00010 = Output Compare 2<sup>(1)</sup>  
00001 = Output Compare 1<sup>(1)</sup>  
00000 = Not synchronized to any other module

**Note 1:** Do not use an OC module as its own trigger source, either by selecting this mode or another equivalent SYNCSEL setting.

**2:** Use these inputs as trigger sources only and never as sync sources.

**3:** These bits affect the rising edge when OCINV = 1. The bits have no effect when the OCM bits (OCxCON1<1:0>) = 001.

## 15.0 SERIAL PERIPHERAL INTERFACE (SPI)

**Note:** This data sheet summarizes the features of this group of PIC24F devices. It is not intended to be a comprehensive reference source. For more information, refer to the “PIC24F Family Reference Manual”, Section 23. “Serial Peripheral Interface (SPI)” (DS39699).

The Serial Peripheral Interface (SPI) module is a synchronous serial interface useful for communicating with other peripheral or microcontroller devices. These peripheral devices may be serial EEPROMs, shift registers, display drivers, A/D Converters, etc. The SPI module is compatible with Motorola® SPI and SIO<sup>®</sup> interfaces. All devices of the PIC24FJ64GB004 family include three SPI modules

The module supports operation in two buffer modes. In Standard mode, data is shifted through a single serial buffer. In Enhanced Buffer mode, data is shifted through an 8-level FIFO buffer.

**Note:** Do not perform read-modify-write operations (such as bit-oriented instructions) on the SPIxBUF register in either Standard or Enhanced Buffer mode.

The module also supports a basic framed SPI protocol while operating in either Master or Slave mode. A total of four framed SPI configurations are supported.

The SPI serial interface consists of four pins:

- SDIx: Serial Data Input
- SDOx: Serial Data Output
- SCKx: Shift Clock Input or Output
- $\overline{\text{SSx}}$ : Active-Low Slave Select or Frame Synchronization I/O Pulse

The SPI module can be configured to operate using 2, 3 or 4 pins. In the 3-pin mode,  $\overline{\text{SSx}}$  is not used. In the 2-pin mode, both SDOx and  $\overline{\text{SSx}}$  are not used.

Block diagrams of the module in Standard and Enhanced modes are shown in Figure 15-1 and Figure 15-2.

**Note:** In this section, the SPI modules are referred to together as SPIx or separately as SPI1, SPI2 or SPI3. Special Function Registers will follow a similar notation. For example, SPIxCON1 and SPIxCON2 refer to the control registers for any of the 3 SPI modules.



# PIC24FJ64GB004 FAMILY

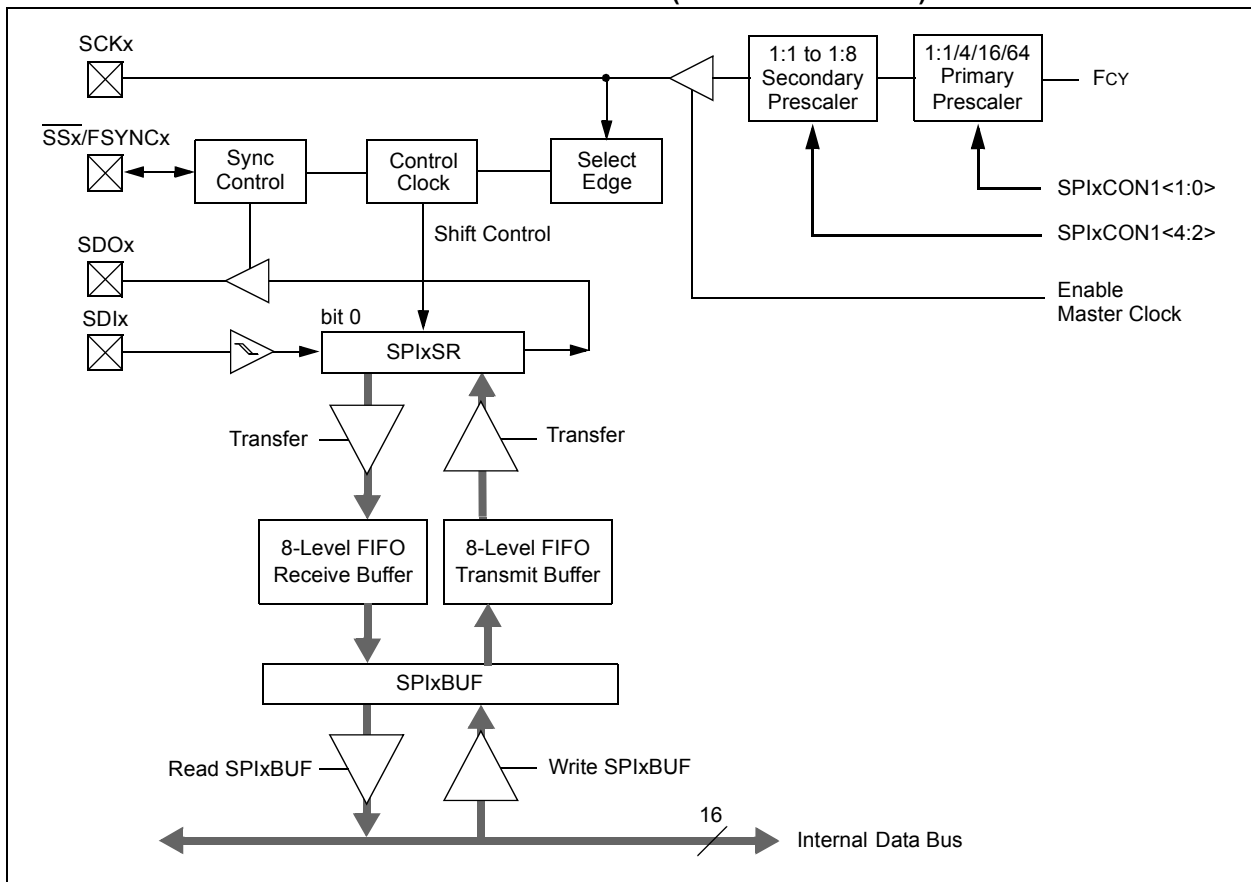
To set up the SPI module for the Enhanced Buffer Master mode of operation:

1. If using interrupts:
  - a) Clear the SPIxIF bit in the respective IFS register.
  - b) Set the SPIxIE bit in the respective IEC register.
  - c) Write the SPIxIP bits in the respective IPC register.
2. Write the desired settings to the SPIxCON1 and SPIxCON2 registers with MSTEN (SPIxCON1<5>) = 1.
3. Clear the SPIROV bit (SPIxSTAT<6>).
4. Select Enhanced Buffer mode by setting the SPIBEN bit (SPIxCON2<0>).
5. Enable SPI operation by setting the SPIEN bit (SPIxSTAT<15>).
6. Write the data to be transmitted to the SPIxBUF register. Transmission (and reception) will start as soon as data is written to the SPIxBUF register.

To set up the SPI module for the Enhanced Buffer Slave mode of operation:

1. Clear the SPIxBUF register.
2. If using interrupts:
  - a) Clear the SPIxIF bit in the respective IFS register.
  - b) Set the SPIxIE bit in the respective IEC register.
  - c) Write the SPIxIP bits in the respective IPC register to set the interrupt priority.
3. Write the desired settings to the SPIxCON1 and SPIxCON2 registers with MSTEN (SPIxCON1<5>) = 0.
4. Clear the SMP bit.
5. If the CKE bit is set, then the SSxEN bit must be set, thus enabling the  $\overline{SSx}$  pin.
6. Clear the SPIROV bit (SPIxSTAT<6>).
7. Select Enhanced Buffer mode by setting the SPIBEN bit (SPIxCON2<0>).
8. Enable SPI operation by setting the SPIEN bit (SPIxSTAT<15>).

**FIGURE 15-2: SPIx MODULE BLOCK DIAGRAM (ENHANCED MODE)**



# PIC24FJ64GB004 FAMILY

## REGISTER 15-1: SPIxSTAT: SPIx STATUS AND CONTROL REGISTER

|                      |     |         |     |     |         |         |         |
|----------------------|-----|---------|-----|-----|---------|---------|---------|
| R/W-0                | U-0 | R/W-0   | U-0 | U-0 | R-0     | R-0     | R-0     |
| SPIEN <sup>(1)</sup> | —   | SPISIDL | —   | —   | SPIBEC2 | SPIBEC1 | SPIBEC0 |
| bit 15               |     |         |     |     |         | bit 8   |         |

|       |           |        |        |        |        |        |        |
|-------|-----------|--------|--------|--------|--------|--------|--------|
| R-0   | R/C-0, HS | R/W-0  | R/W-0  | R/W-0  | R/W-0  | R-0    | R-0    |
| SRMPT | SPIROV    | SRXMPT | SISEL2 | SISEL1 | SISEL0 | SPITBF | SPIRBF |
| bit 7 |           |        |        |        |        | bit 0  |        |

|                   |                   |                                              |
|-------------------|-------------------|----------------------------------------------|
| <b>Legend:</b>    | C = Clearable bit | HS = Hardware Settable bit                   |
| R = Readable bit  | W = Writable bit  | U = Unimplemented bit, read as '0'           |
| -n = Value at POR | '1' = Bit is set  | '0' = Bit is cleared      x = Bit is unknown |

- bit 15      **SPIEN:** SPIx Enable bit<sup>(1)</sup>  
 1 = Enables module and configures SCKx, SDOx, SDIx and  $\overline{SSx}$  as serial port pins  
 0 = Disables module
- bit 14      **Unimplemented:** Read as '0'
- bit 13      **SPISIDL:** Stop in Idle Mode bit  
 1 = Discontinue module operation when device enters Idle mode  
 0 = Continue module operation in Idle mode
- bit 12-11      **Unimplemented:** Read as '0'
- bit 10-8      **SPIBEC<2:0>:** SPIx Buffer Element Count bits (valid in Enhanced Buffer mode)  
Master mode:  
 Number of SPI transfers pending.  
Slave mode:  
 Number of SPI transfers unread.
- bit 7      **SRMPT:** Shift Register (SPIxSR) Empty bit (valid in Enhanced Buffer mode)  
 1 = SPIx Shift register is empty and ready to send or receive  
 0 = SPIx Shift register is not empty
- bit 6      **SPIROV:** Receive Overflow Flag bit  
 1 = A new byte/word is completely received and discarded. The user software has not read the previous data in the SPIxBUF register.  
 0 = No overflow has occurred
- bit 5      **SRXMPT:** Receive FIFO Empty bit (valid in Enhanced Buffer mode)  
 1 = Receive FIFO is empty  
 0 = Receive FIFO is not empty
- bit 4-2      **SISEL<2:0>:** SPIx Buffer Interrupt Mode bits (valid in Enhanced Buffer mode)  
 111 = Interrupt when SPIx transmit buffer is full (SPITBF bit is set)  
 110 = Interrupt when last bit is shifted into SPIxSR; as a result, the TX FIFO is empty  
 101 = Interrupt when the last bit is shifted out of SPIxSR; now the transmit is complete  
 100 = Interrupt when one data is shifted into the SPIxSR; as a result, the TX FIFO has one open spot  
 011 = Interrupt when SPIx receive buffer is full (SPIRBF bit is set)  
 010 = Interrupt when SPIx receive buffer is 3/4 or more full  
 001 = Interrupt when data is available in receive buffer (SRMPT bit is set)  
 000 = Interrupt when the last data in the receive buffer is read; as a result, the buffer is empty (SRXMPT bit set)

**Note 1:** If SPIEN = 1, these functions must be assigned to available RPN pins before use. See **Section 10.4 "Peripheral Pin Select (PPS)"** for more information.

# PIC24FJ64GB004 FAMILY

---

## REGISTER 15-1: SPIxSTAT: SPIx STATUS AND CONTROL REGISTER (CONTINUED)

- bit 1      **SPITBF:** SPIx Transmit Buffer Full Status bit  
1 = Transmit not yet started; SPIxTXB is full  
0 = Transmit started; SPIxTXB is empty
- In Standard Buffer mode:  
Automatically set in hardware when CPU writes SPIxBUF location, loading SPIxTXB. Automatically cleared in hardware when SPIx module transfers data from SPIxTXB to SPIxSR.
- In Enhanced Buffer mode:  
Automatically set in hardware when CPU writes SPIxBUF location, loading the last available buffer location. Automatically cleared in hardware when a buffer location is available for a CPU write.
- bit 0      **SPIRBF:** SPIx Receive Buffer Full Status bit  
1 = Receive complete, SPIxRXB is full  
0 = Receive is not complete, SPIxRXB is empty
- In Standard Buffer mode:  
Automatically set in hardware when SPIx transfers data from SPIxSR to SPIxRXB. Automatically cleared in hardware when core reads SPIxBUF location, reading SPIxRXB.
- In Enhanced Buffer mode:  
Automatically set in hardware when SPIx transfers data from SPIxSR to buffer, filling the last unread buffer location. Automatically cleared in hardware when a buffer location is available for a transfer from SPIxSR.

**Note 1:** If SPIEN = 1, these functions must be assigned to available RPN pins before use. See **Section 10.4** “Peripheral Pin Select (PPS)” for more information.

# PIC24FJ64GB004 FAMILY

## REGISTER 15-2: SPIxCON1: SPIx CONTROL REGISTER 1

|        |     |     |                       |                       |        |       |                    |
|--------|-----|-----|-----------------------|-----------------------|--------|-------|--------------------|
| U-0    | U-0 | U-0 | R/W-0                 | R/W-0                 | R/W-0  | R/W-0 | R/W-0              |
| —      | —   | —   | DISSCK <sup>(1)</sup> | DISSDO <sup>(2)</sup> | MODE16 | SMP   | CKE <sup>(3)</sup> |
| bit 15 |     |     |                       |                       |        | bit 8 |                    |

|                     |       |       |       |       |       |       |       |
|---------------------|-------|-------|-------|-------|-------|-------|-------|
| R/W-0               | R/W-0 | R/W-0 | R/W-0 | R/W-0 | R/W-0 | R/W-0 | R/W-0 |
| SSEN <sup>(4)</sup> | CKP   | MSTEN | SPRE2 | SPRE1 | SPRE0 | PPRE1 | PPRE0 |
| bit 7               |       |       |       |       |       | bit 0 |       |

### Legend:

R = Readable bit                      W = Writable bit                      U = Unimplemented bit, read as '0'  
 -n = Value at POR                      '1' = Bit is set                      '0' = Bit is cleared                      x = Bit is unknown

- bit 15-13      **Unimplemented:** Read as '0'
- bit 12      **DISSCK:** Disable SCKx pin bit (SPI Master modes only)<sup>(1)</sup>  
                     1 = Internal SPI clock is disabled; pin functions as I/O  
                     0 = Internal SPI clock is enabled
- bit 11      **DISSDO:** Disable SDOx pin bit<sup>(2)</sup>  
                     1 = SDOx pin is not used by module; pin functions as I/O  
                     0 = SDOx pin is controlled by the module
- bit 10      **MODE16:** Word/Byte Communication Select bit  
                     1 = Communication is word-wide (16 bits)  
                     0 = Communication is byte-wide (8 bits)
- bit 9      **SMP:** SPIx Data Input Sample Phase bit  
                     Master mode:  
                     1 = Input data sampled at end of data output time  
                     0 = Input data sampled at middle of data output time  
                     Slave mode:  
                     SMP must be cleared when SPIx is used in Slave mode.
- bit 8      **CKE:** SPIx Clock Edge Select bit<sup>(3)</sup>  
                     1 = Serial output data changes on transition from active clock state to Idle clock state (see bit 6)  
                     0 = Serial output data changes on transition from Idle clock state to active clock state (see bit 6)
- bit 7      **SSEN:** Slave Select Enable (Slave mode) bit<sup>(4)</sup>  
                     1 =  $\overline{SSx}$  pin used for Slave mode  
                     0 =  $\overline{SSx}$  pin not used by module; pin controlled by port function
- bit 6      **CKP:** Clock Polarity Select bit  
                     1 = Idle state for clock is a high level; active state is a low level  
                     0 = Idle state for clock is a low level; active state is a high level
- bit 5      **MSTEN:** Master Mode Enable bit  
                     1 = Master mode  
                     0 = Slave mode

- Note 1:** If DISSCK = 0, SCKx must be configured to an available RPN pin. See **Section 10.4 “Peripheral Pin Select (PPS)”** for more information.
- Note 2:** If DISSDO = 0, SDOx must be configured to an available RPN pin. See **Section 10.4 “Peripheral Pin Select (PPS)”** for more information.
- Note 3:** The CKE bit is not used in the Framed SPI modes. The user should program this bit to '0' for the Framed SPI modes (FRMEN = 1).
- Note 4:** If SSEN = 1,  $\overline{SSx}$  must be configured to an available RPN pin. See **Section 10.4 “Peripheral Pin Select (PPS)”** for more information.



# PIC24FJ64GB004 FAMILY

## REGISTER 15-2: SPIxCON1: SPIx CONTROL REGISTER 1 (CONTINUED)

bit 4-2 **SPRE<2:0>**: Secondary Prescale bits (Master mode)

111 = Secondary prescale 1:1  
 110 = Secondary prescale 2:1  
 ...  
 000 = Secondary prescale 8:1

bit 1-0 **PPRE<1:0>**: Primary Prescale bits (Master mode)

11 = Primary prescale 1:1  
 10 = Primary prescale 4:1  
 01 = Primary prescale 16:1  
 00 = Primary prescale 64:1

- Note 1:** If DISSCK = 0, SCKx must be configured to an available RPN pin. See **Section 10.4 “Peripheral Pin Select (PPS)”** for more information.
- 2:** If DISSDO = 0, SDOx must be configured to an available RPN pin. See **Section 10.4 “Peripheral Pin Select (PPS)”** for more information.
- 3:** The CKE bit is not used in the Framed SPI modes. The user should program this bit to ‘0’ for the Framed SPI modes (FRMEN = 1).
- 4:** If SSEN = 1, SSx must be configured to an available RPN pin. See **Section 10.4 “Peripheral Pin Select (PPS)”** for more information.

## REGISTER 15-3: SPIxCON2: SPIx CONTROL REGISTER 2

|        |        |         |     |     |     |       |     |
|--------|--------|---------|-----|-----|-----|-------|-----|
| R/W-0  | R/W-0  | R/W-0   | U-0 | U-0 | U-0 | U-0   | U-0 |
| FRMEN  | SPIFSD | SPIFPOL | —   | —   | —   | —     | —   |
| bit 15 |        |         |     |     |     | bit 8 |     |

|       |     |     |     |     |     |       |        |
|-------|-----|-----|-----|-----|-----|-------|--------|
| U-0   | U-0 | U-0 | U-0 | U-0 | U-0 | R/W-0 | R/W-0  |
| —     | —   | —   | —   | —   | —   | SPIFE | SPIBEN |
| bit 7 |     |     |     |     |     | bit 0 |        |

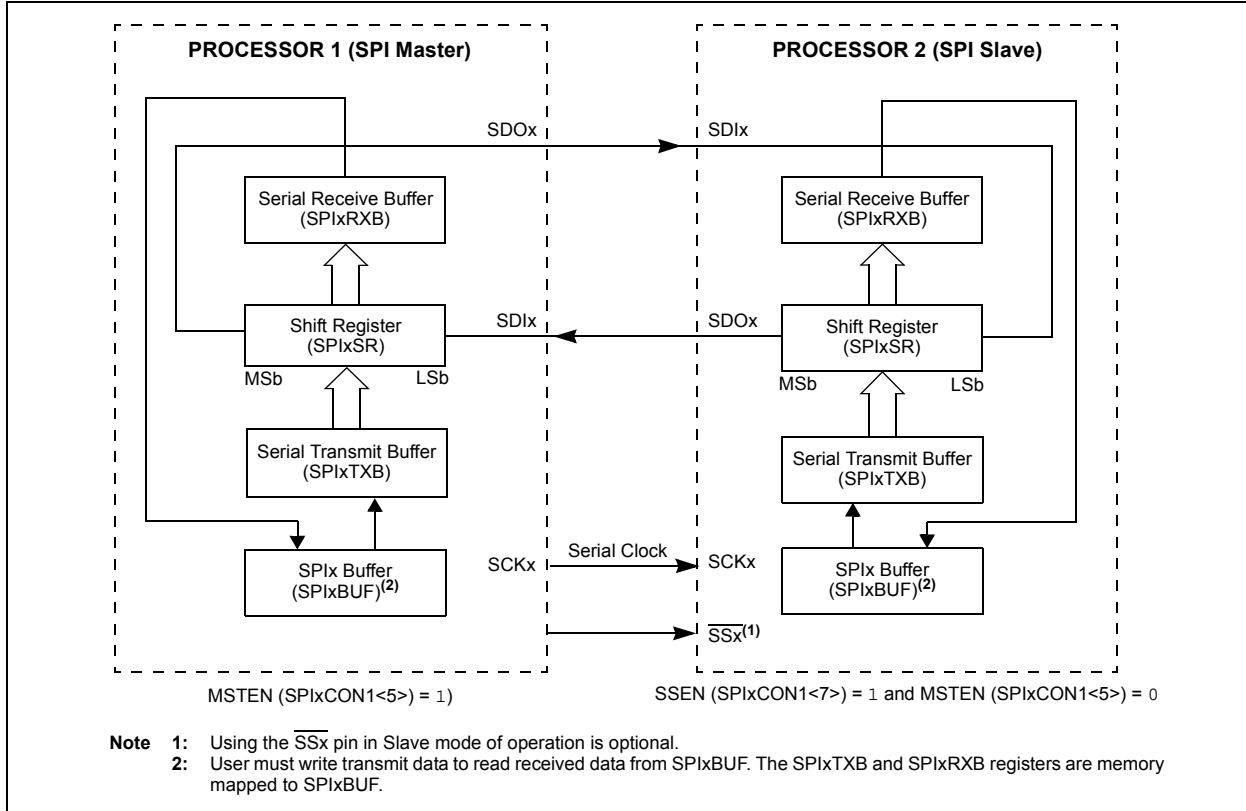
### Legend:

R = Readable bit                      W = Writable bit                      U = Unimplemented bit, read as ‘0’  
 -n = Value at POR                      ‘1’ = Bit is set                      ‘0’ = Bit is cleared                      x = Bit is unknown

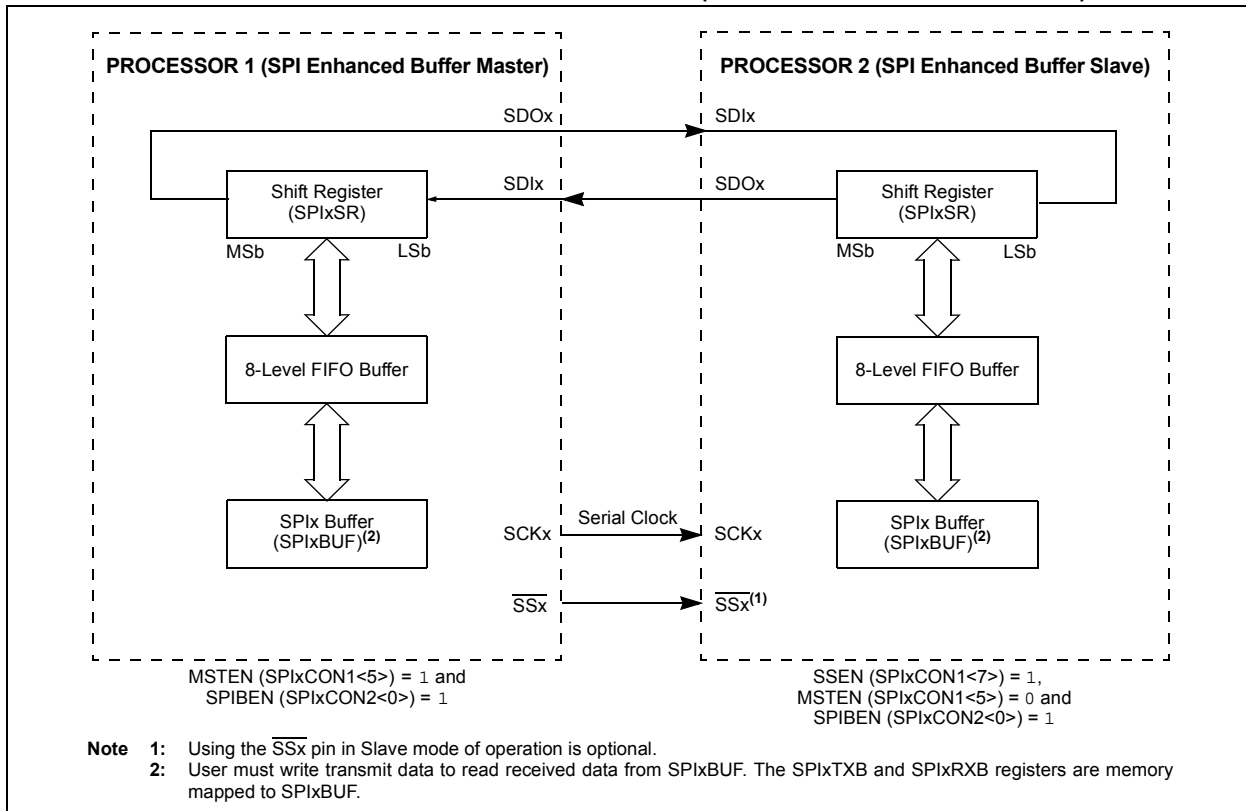
- bit 15 **FRMEN**: Framed SPIx Support bit  
 1 = Framed SPIx support enabled  
 0 = Framed SPIx support disabled
- bit 14 **SPIFSD**: Frame Sync Pulse Direction Control on SSx Pin bit  
 1 = Frame sync pulse input (slave)  
 0 = Frame sync pulse output (master)
- bit 13 **SPIFPOL**: Frame Sync Pulse Polarity bit (Frame mode only)  
 1 = Frame sync pulse is active-high  
 0 = Frame sync pulse is active-low
- bit 12-2 **Unimplemented**: Read as ‘0’
- bit 1 **SPIFE**: Frame Sync Pulse Edge Select bit  
 1 = Frame sync pulse coincides with first bit clock  
 0 = Frame sync pulse precedes first bit clock
- bit 0 **SPIBEN**: Enhanced Buffer Enable bit  
 1 = Enhanced buffer enabled  
 0 = Enhanced buffer disabled (Legacy mode)

# PIC24FJ64GB004 FAMILY

**FIGURE 15-3: SPI MASTER/SLAVE CONNECTION (STANDARD MODE)**



**FIGURE 15-4: SPI MASTER/SLAVE CONNECTION (ENHANCED BUFFER MODES)**



# PIC24FJ64GB004 FAMILY

**FIGURE 15-5: SPI MASTER, FRAME MASTER CONNECTION DIAGRAM**



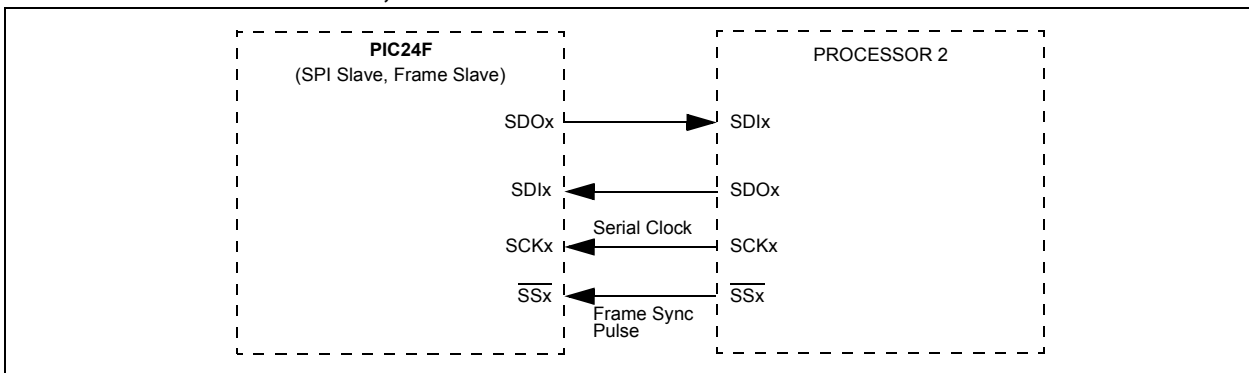
**FIGURE 15-6: SPI MASTER, FRAME SLAVE CONNECTION DIAGRAM**



**FIGURE 15-7: SPI SLAVE, FRAME MASTER CONNECTION DIAGRAM**



**FIGURE 15-8: SPI SLAVE, FRAME SLAVE CONNECTION DIAGRAM**



# PIC24FJ64GB004 FAMILY

**EQUATION 15-1: RELATIONSHIP BETWEEN DEVICE AND SPI CLOCK SPEED<sup>(1)</sup>**

$$F_{SCK} = \frac{F_{CY}}{\text{Primary Prescaler} * \text{Secondary Prescaler}}$$

**Note 1:** Based on  $F_{CY} = F_{OSC}/2$ ; Doze mode and PLL are disabled.

**TABLE 15-1: SAMPLE SCK FREQUENCIES<sup>(1,2)</sup>**

| F <sub>cy</sub> = 16 MHz   |      | Secondary Prescaler Settings |      |      |      |      |
|----------------------------|------|------------------------------|------|------|------|------|
|                            |      | 1:1                          | 2:1  | 4:1  | 6:1  | 8:1  |
| Primary Prescaler Settings | 1:1  | Invalid                      | 8000 | 4000 | 2667 | 2000 |
|                            | 4:1  | 4000                         | 2000 | 1000 | 667  | 500  |
|                            | 16:1 | 1000                         | 500  | 250  | 167  | 125  |
|                            | 64:1 | 250                          | 125  | 63   | 42   | 31   |
| F <sub>cy</sub> = 5 MHz    |      |                              |      |      |      |      |
| Primary Prescaler Settings | 1:1  | 5000                         | 2500 | 1250 | 833  | 625  |
|                            | 4:1  | 1250                         | 625  | 313  | 208  | 156  |
|                            | 16:1 | 313                          | 156  | 78   | 52   | 39   |
|                            | 64:1 | 78                           | 39   | 20   | 13   | 10   |

**Note 1:** Based on  $F_{CY} = F_{OSC}/2$ , Doze mode and PLL are disabled.

**Note 2:** SCKx frequencies shown in kHz.

## 16.0 INTER-INTEGRATED CIRCUIT (I<sup>2</sup>C™)

**Note:** This data sheet summarizes the features of this group of PIC24F devices. It is not intended to be a comprehensive reference source. For more information, refer to the “PIC24F Family Reference Manual”, **Section 24. “Inter-Integrated Circuit™ (I<sup>2</sup>C™)”** (DS39702).

The Inter-Integrated Circuit (I<sup>2</sup>C) module is a serial interface useful for communicating with other peripheral or microcontroller devices. These peripheral devices may be serial EEPROMs, display drivers, A/D Converters, etc.

The I<sup>2</sup>C module supports these features:

- Independent master and slave logic
- 7-bit and 10-bit device addresses
- General call address as defined in the I<sup>2</sup>C protocol
- Clock stretching to provide delays for the processor to respond to a slave data request
- Both 100 kHz and 400 kHz bus specifications.
- Configurable address masking
- Multi-Master modes to prevent loss of messages in arbitration
- Bus Repeater mode, allowing the acceptance of all messages as a slave regardless of the address
- Automatic SCL

A block diagram of the module is shown in Figure 16-1.

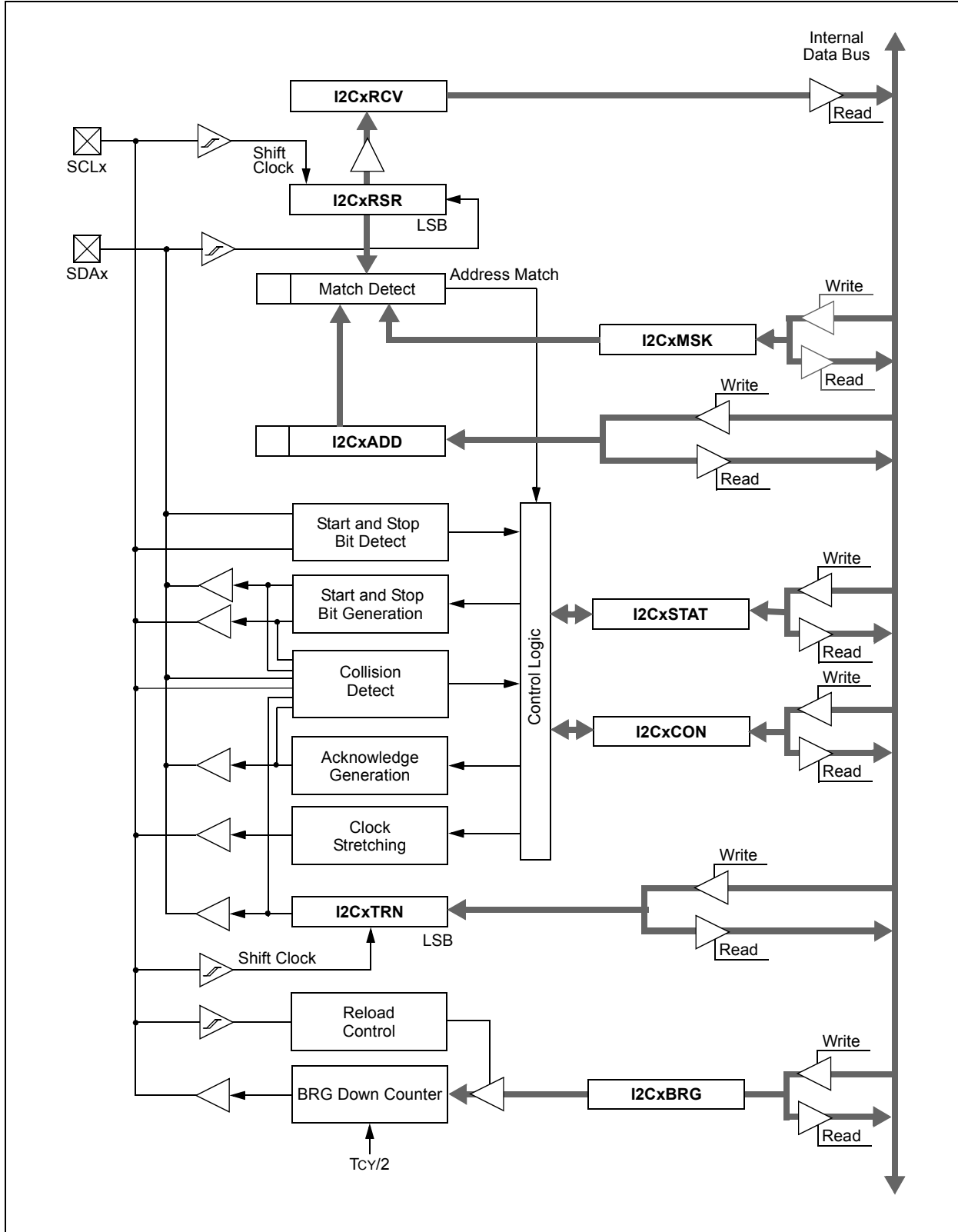
## 16.1 Communicating as a Master in a Single Master Environment

The details of sending a message in Master mode depends on the communications protocol for the device being communicated with. Typically, the sequence of events is as follows:

1. Assert a Start condition on SDAx and SCLx.
2. Send the I<sup>2</sup>C device address byte to the slave with a write indication.
3. Wait for and verify an Acknowledge from the slave.
4. Send the first data byte (sometimes known as the command) to the slave.
5. Wait for and verify an Acknowledge from the slave.
6. Send the serial memory address low byte to the slave.
7. Repeat steps 4 and 5 until all data bytes are sent.
8. Assert a Repeated Start condition on SDAx and SCLx.
9. Send the device address byte to the slave with a read indication.
10. Wait for and verify an Acknowledge from the slave.
11. Enable master reception to receive serial memory data.
12. Generate an ACK or NACK condition at the end of a received byte of data.
13. Generate a Stop condition on SDAx and SCLx.

# PIC24FJ64GB004 FAMILY

FIGURE 16-1: I<sup>2</sup>C™ BLOCK DIAGRAM



# PIC24FJ64GB004 FAMILY

## 16.2 Setting Baud Rate When Operating as a Bus Master

To compute the Baud Rate Generator (BRG) reload value, use Equation 16-1.

**EQUATION 16-1: COMPUTING BAUD RATE RELOAD VALUE<sup>(1,2)</sup>**

$$F_{SCL} = \frac{F_{CY}}{I2CxBRG + 1 + \frac{F_{CY}}{10,000,000}}$$

or

$$I2CxBRG = \left( \frac{F_{CY}}{F_{SCL}} - \frac{F_{CY}}{10,000,000} \right) - 1$$

**Note 1:** Based on  $F_{CY} = F_{OSC}/2$ , Doze mode and PLL are disabled.

**2:** These clock rate values are for guidance only. The actual clock rate can be affected by various system level parameters. The actual clock rate should be measured in its intended application.

## 16.3 Slave Address Masking

The I2CxMSK register (Register 16-3) designates address bit positions as “don’t care” for both 7-Bit and 10-Bit Addressing modes. Setting a particular bit location (= 1) in the I2CxMSK register causes the slave module to respond whether the corresponding address bit value is a ‘0’ or a ‘1’. For example, when I2CxMSK is set to ‘00100000’, the slave module will detect both addresses: ‘0000000’ and ‘0100000’.

To enable address masking, the IPMI (Intelligent Peripheral Management Interface) must be disabled by clearing the IPMIEN bit (I2CxCON<11>).

**Note:** As a result of changes in the I<sup>2</sup>C™ protocol, the addresses in Table 16-2 are reserved and will not be Acknowledged in Slave mode. This includes any address mask settings that include any of these addresses.

**TABLE 16-1: I<sup>2</sup>C™ CLOCK RATES<sup>(1,2)</sup>**

| Required System F <sub>SCL</sub> | F <sub>CY</sub> | I2CxBRG Value |               | Actual F <sub>SCL</sub> |
|----------------------------------|-----------------|---------------|---------------|-------------------------|
|                                  |                 | (Decimal)     | (Hexadecimal) |                         |
| 100 kHz                          | 16 MHz          | 157           | 9D            | 100 kHz                 |
| 100 kHz                          | 8 MHz           | 78            | 4E            | 100 kHz                 |
| 100 kHz                          | 4 MHz           | 39            | 27            | 99 kHz                  |
| 400 kHz                          | 16 MHz          | 37            | 25            | 404 kHz                 |
| 400 kHz                          | 8 MHz           | 18            | 12            | 404 kHz                 |
| 400 kHz                          | 4 MHz           | 9             | 9             | 385 kHz                 |
| 400 kHz                          | 2 MHz           | 4             | 4             | 385 kHz                 |
| 1 MHz                            | 16 MHz          | 13            | D             | 1.026 MHz               |
| 1 MHz                            | 8 MHz           | 6             | 6             | 1.026 MHz               |
| 1 MHz                            | 4 MHz           | 3             | 3             | 0.909 MHz               |

**Note 1:** Based on  $F_{CY} = F_{OSC}/2$ , Doze mode and PLL are disabled.

**2:** These clock rate values are for guidance only. The actual clock rate can be affected by various system level parameters. The actual clock rate should be measured in its intended application.

**TABLE 16-2: I<sup>2</sup>C™ RESERVED ADDRESSES<sup>(1)</sup>**

| Slave Address | R/W Bit | Description                            |
|---------------|---------|----------------------------------------|
| 0000 000      | 0       | General Call Address <sup>(2)</sup>    |
| 0000 000      | 1       | Start Byte                             |
| 0000 001      | x       | Cbus Address                           |
| 0000 010      | x       | Reserved                               |
| 0000 011      | x       | Reserved                               |
| 0000 1xx      | x       | HS Mode Master Code                    |
| 1111 1xx      | x       | Reserved                               |
| 1111 0xx      | x       | 10-Bit Slave Upper Byte <sup>(3)</sup> |

**Note 1:** The address bits listed here will never cause an address match, independent of address mask settings.

**2:** The address will be Acknowledged only if GCEN = 1.

**3:** A match on this address can only occur on the upper byte in 10-Bit Addressing mode.

# PIC24FJ64GB004 FAMILY

## REGISTER 16-1: I2CxCON: I2Cx CONTROL REGISTER

|        |     |         |           |        |       |        |       |
|--------|-----|---------|-----------|--------|-------|--------|-------|
| R/W-0  | U-0 | R/W-0   | R/W-1, HC | R/W-0  | R/W-0 | R/W-0  | R/W-0 |
| I2CEN  | —   | I2CSIDL | SCLREL    | IPMIEN | A10M  | DISSLW | SMEN  |
| bit 15 |     |         |           |        |       |        | bit 8 |

|       |       |       |           |           |           |           |           |
|-------|-------|-------|-----------|-----------|-----------|-----------|-----------|
| R/W-0 | R/W-0 | R/W-0 | R/W-0, HC | R/W-0, HC | R/W-0, HC | R/W-0, HC | R/W-0, HC |
| GCEN  | STREN | ACKDT | ACKEN     | RCEN      | PEN       | RSEN      | SEN       |
| bit 7 |       |       |           |           |           |           | bit 0     |

|                   |                             |                                    |                    |
|-------------------|-----------------------------|------------------------------------|--------------------|
| <b>Legend:</b>    | HC = Hardware Clearable bit |                                    |                    |
| R = Readable bit  | W = Writable bit            | U = Unimplemented bit, read as '0' |                    |
| -n = Value at POR | '1' = Bit is set            | '0' = Bit is cleared               | x = Bit is unknown |

- bit 15      **I2CEN:** I2Cx Enable bit  
 1 = Enables the I2Cx module and configures the SDAx and SCLx pins as serial port pins  
 0 = Disables the I2Cx module. All I<sup>2</sup>C pins are controlled by port functions.
- bit 14      **Unimplemented:** Read as '0'
- bit 13      **I2CSIDL:** Stop in Idle Mode bit  
 1 = Discontinues module operation when device enters an Idle mode  
 0 = Continues module operation in Idle mode
- bit 12      **SCLREL:** SCLx Release Control bit (when operating as I<sup>2</sup>C Slave)  
 1 = Releases SCLx clock  
 0 = Holds SCLx clock low (clock stretch)  
If STREN = 1:  
 Bit is R/W (i.e., software may write '0' to initiate stretch and write '1' to release clock). Hardware clear at beginning of slave transmission. Hardware clear at end of slave reception.  
If STREN = 0:  
 Bit is R/S (i.e., software may only write '1' to release clock). Hardware clear at beginning of slave transmission.
- bit 11      **IPMIEN:** Intelligent Platform Management Interface (IPMI) Enable bit  
 1 = IPMI Support mode is enabled; all addresses Acknowledged  
 0 = IPMI mode disabled
- bit 10      **A10M:** 10-Bit Slave Addressing bit  
 1 = I2CxADD is a 10-bit slave address  
 0 = I2CxADD is a 7-bit slave address
- bit 9        **DISSLW:** Disable Slew Rate Control bit  
 1 = Slew rate control disabled  
 0 = Slew rate control enabled
- bit 8        **SMEN:** SMBus Input Levels bit  
 1 = Enables I/O pin thresholds compliant with SMBus specification  
 0 = Disables SMBus input thresholds
- bit 7        **GCEN:** General Call Enable bit (when operating as I<sup>2</sup>C slave)  
 1 = Enables interrupt when a general call address is received in the I2CxRSR (module is enabled for reception)  
 0 = General call address disabled
- bit 6        **STREN:** SCLx Clock Stretch Enable bit (when operating as I<sup>2</sup>C slave)  
 Used in conjunction with the SCLREL bit.  
 1 = Enables software or receive clock stretching  
 0 = Disables software or receive clock stretching



# PIC24FJ64GB004 FAMILY

---

## REGISTER 16-1: I2CxCON: I2Cx CONTROL REGISTER (CONTINUED)

- bit 5      **ACKDT:** Acknowledge Data bit (When operating as I<sup>2</sup>C master. Applicable during master receive.)  
Value that will be transmitted when the software initiates an Acknowledge sequence.  
1 = Sends NACK during Acknowledge  
0 = Sends ACK during Acknowledge
- bit 4      **ACKEN:** Acknowledge Sequence Enable bit  
(When operating as I<sup>2</sup>C master. Applicable during master receive.)  
1 = Initiates Acknowledge sequence on SDAx and SCLx pins and transmits ACKDT data bit. Hardware clear at end of master Acknowledge sequence.  
0 = Acknowledge sequence not in progress
- bit 3      **RCEN:** Receive Enable bit (when operating as I<sup>2</sup>C master)  
1 = Enables Receive mode for I<sup>2</sup>C. Hardware clear at end of eighth bit of master receive data byte.  
0 = Receives sequence not in progress
- bit 2      **PEN:** Stop Condition Enable bit (when operating as I<sup>2</sup>C master)  
1 = Initiates Stop condition on SDAx and SCLx pins. Hardware clear at end of master Stop sequence.  
0 = Stop condition not in progress
- bit 1      **RSEN:** Repeated Start Condition Enabled bit (when operating as I<sup>2</sup>C master)  
1 = Initiates Repeated Start condition on SDAx and SCLx pins. Hardware clear at end of master Repeated Start sequence  
0 = Repeated Start condition not in progress
- bit 0      **SEN:** Start Condition Enabled bit (when operating as I<sup>2</sup>C master)  
1 = Initiates Start condition on SDAx and SCLx pins. Hardware clear at end of master Start sequence.  
0 = Start condition not in progress

# PIC24FJ64GB004 FAMILY

## REGISTER 16-2: I2CxSTAT: I2Cx STATUS REGISTER

|          |          |     |     |     |           |          |          |
|----------|----------|-----|-----|-----|-----------|----------|----------|
| R-0, HSC | R-0, HSC | U-0 | U-0 | U-0 | R/C-0, HS | R-0, HSC | R-0, HSC |
| ACKSTAT  | TRSTAT   | —   | —   | —   | BCL       | GCSTAT   | ADD10    |
| bit 15   |          |     |     |     |           |          | bit 8    |

|           |           |              |            |            |              |          |          |
|-----------|-----------|--------------|------------|------------|--------------|----------|----------|
| R/C-0, HS | R/C-0, HS | R-0, HSC     | R/C-0, HSC | R/C-0, HSC | R-0, HSC     | R-0, HSC | R-0, HSC |
| IWCOL     | I2COV     | D/ $\bar{A}$ | P          | S          | R/ $\bar{W}$ | RBF      | TBF      |
| bit 7     |           |              |            |            |              |          | bit 0    |

|                   |                   |                                    |                                       |
|-------------------|-------------------|------------------------------------|---------------------------------------|
| <b>Legend:</b>    | C = Clearable bit | HS = Hardware Settable bit         | HSC = Hardware Settable/Clearable bit |
| R = Readable bit  | W = Writable bit  | U = Unimplemented bit, read as '0' |                                       |
| -n = Value at POR | '1' = Bit is set  | '0' = Bit is cleared               | x = Bit is unknown                    |

- bit 15 **ACKSTAT:** Acknowledge Status bit  
 1 = NACK was detected last  
 0 = ACK was detected last  
 Hardware set or clear at the end of Acknowledge.
- bit 14 **TRSTAT:** Transmit Status bit  
 (When operating as I<sup>2</sup>C master. Applicable to master transmit operation.)  
 1 = Master transmit is in progress (8 bits + ACK)  
 0 = Master transmit is not in progress  
 Hardware set at the beginning of master transmission. Hardware clear at the end of slave Acknowledge.
- bit 13-11 **Unimplemented:** Read as '0'
- bit 10 **BCL:** Master Bus Collision Detect bit  
 1 = A bus collision has been detected during a master operation  
 0 = No collision  
 Hardware set at detection of bus collision.
- bit 9 **GCSTAT:** General Call Status bit  
 1 = General call address was received  
 0 = General call address was not received  
 Hardware set when address matches the general call address. Hardware clear at the Stop detection.
- bit 8 **ADD10:** 10-Bit Address Status bit  
 1 = 10-bit address was matched  
 0 = 10-bit address was not matched  
 Hardware set at the match of the 2nd byte of matched 10-bit address. Hardware clear at the Stop detection.
- bit 7 **IWCOL:** Write Collision Detect bit  
 1 = An attempt to write to the I2CxTRN register failed because the I<sup>2</sup>C module is busy  
 0 = No collision  
 Hardware set at occurrence of write to I2CxTRN while busy (cleared by software).
- bit 6 **I2COV:** Receive Overflow Flag bit  
 1 = A byte was received while the I2CxRCV register was still holding the previous byte  
 0 = No overflow  
 Hardware set at attempt to transfer I2CxRSR to I2CxRCV (cleared by software).
- bit 5 **D/ $\bar{A}$ :** Data/Address bit (when operating as I<sup>2</sup>C slave)  
 1 = Indicates that the last byte received was data  
 0 = Indicates that the last byte received was the device address  
 Hardware clear occurs at device address match. Hardware set after a transmission finishes or at reception of the slave byte.

# PIC24FJ64GB004 FAMILY

---

## REGISTER 16-2: I2CxSTAT: I2Cx STATUS REGISTER (CONTINUED)

- bit 4     **P**: Stop bit  
1 = Indicates that a Stop bit has been detected last  
0 = Stop bit was not detected last  
Hardware set or clear when Start, Repeated Start or Stop is detected.
- bit 3     **S**: Start bit  
1 = Indicates that a Start (or Repeated Start) bit has been detected last  
0 = Start bit was not detected last  
Hardware set or clear when Start, Repeated Start or Stop is detected.
- bit 2     **R/W**: Read/Write Information bit (when operating as I<sup>2</sup>C slave)  
1 = Read – indicates data transfer is output from slave  
0 = Write – indicates data transfer is input to slave  
Hardware set or clear after reception of I<sup>2</sup>C device address byte.
- bit 1     **RBF**: Receive Buffer Full Status bit  
1 = Receive complete, I2CxRCV is full  
0 = Receive not complete, I2CxRCV is empty  
Hardware set when I2CxRCV is written with received byte. Hardware clear when software reads I2CxRCV.
- bit 0     **TBF**: Transmit Buffer Full Status bit  
1 = Transmit in progress, I2CxTRN is full  
0 = Transmit complete, I2CxTRN is empty  
Hardware set when software writes I2CxTRN. Hardware clear at completion of data transmission.

# PIC24FJ64GB004 FAMILY

## REGISTER 16-3: I2CxMSK: I2Cx SLAVE MODE ADDRESS MASK REGISTER

|        |     |     |     |     |     |       |       |
|--------|-----|-----|-----|-----|-----|-------|-------|
| U-0    | U-0 | U-0 | U-0 | U-0 | U-0 | R/W-0 | R/W-0 |
| —      | —   | —   | —   | —   | —   | AMSK9 | AMSK8 |
| bit 15 |     |     |     |     |     | bit 8 |       |

|       |       |       |       |       |       |       |       |
|-------|-------|-------|-------|-------|-------|-------|-------|
| R/W-0 | R/W-0 | R/W-0 | R/W-0 | R/W-0 | R/W-0 | R/W-0 | R/W-0 |
| AMSK7 | AMSK6 | AMSK5 | AMSK4 | AMSK3 | AMSK2 | AMSK1 | AMSK0 |
| bit 7 |       |       |       |       |       | bit 0 |       |

### Legend:

|                   |                  |                                              |
|-------------------|------------------|----------------------------------------------|
| R = Readable bit  | W = Writable bit | U = Unimplemented bit, read as '0'           |
| -n = Value at POR | '1' = Bit is set | '0' = Bit is cleared      x = Bit is unknown |

bit 15-10      **Unimplemented:** Read as '0'

bit 9-0      **AMSK<9:0>:** Mask for Address Bit x Select bits

1 = Enable masking for bit x of incoming message address; bit match not required in this position

0 = Disable masking for bit x; bit match required in this position

# PIC24FJ64GB004 FAMILY

## 17.0 UNIVERSAL ASYNCHRONOUS RECEIVER TRANSMITTER (UART)

**Note:** This data sheet summarizes the features of this group of PIC24F devices. It is not intended to be a comprehensive reference source. For more information, refer to the "PIC24F Family Reference Manual", Section 21. "UART" (DS39708).

The Universal Asynchronous Receiver Transmitter (UART) module is one of the serial I/O modules available in the PIC24F device family. The UART is a full-duplex, asynchronous system that can communicate with peripheral devices, such as personal computers, LIN/J2602, RS-232 and RS-485 interfaces. The module also supports a hardware flow control option with the UxCTS and UxRTS pins, and also includes an IrDA® encoder and decoder.

The primary features of the UART module are:

- Full-Duplex, 8 or 9-Bit Data Transmission through the UxTX and UxRX pins
- Even, Odd or No Parity Options (for 8-bit data)
- One or Two Stop bits
- Hardware Flow Control Option with UxCTS and UxRTS pins

- Fully Integrated Baud Rate Generator with 16-Bit Prescaler
- Baud Rates Ranging from 1 Mbps to 15 bps at 16 MIPS
- 4-Deep, First-In-First-Out (FIFO) Transmit Data Buffer
- 4-Deep FIFO Receive Data Buffer
- Parity, Framing and Buffer Overrun Error Detection
- Support for 9-Bit mode with Address Detect (9th bit = 1)
- Transmit and Receive Interrupts
- Loopback mode for Diagnostic Support
- Support for Sync and Break Characters
- Supports Automatic Baud Rate Detection
- IrDA Encoder and Decoder Logic
- 16x Baud Clock Output for IrDA Support

A simplified block diagram of the UART is shown in Figure 17-1. The UART module consists of these key important hardware elements:

- Baud Rate Generator
- Asynchronous Transmitter
- Asynchronous Receiver

**FIGURE 17-1: UART SIMPLIFIED BLOCK DIAGRAM**



# PIC24FJ64GB004 FAMILY

## 17.1 UART Baud Rate Generator (BRG)

The UART module includes a dedicated 16-bit Baud Rate Generator. The UxBRG register controls the period of a free-running, 16-bit timer. Equation 17-1 shows the formula for computation of the baud rate with BRGH = 0.

### EQUATION 17-1: UART BAUD RATE WITH BRGH = 0<sup>(1,2)</sup>

$$\text{Baud Rate} = \frac{\text{FCY}}{16 \cdot (\text{UxBRG} + 1)}$$

$$\text{UxBRG} = \frac{\text{FCY}}{16 \cdot \text{Baud Rate}} - 1$$

- Note 1:** FCY denotes the instruction cycle clock frequency (FOSC/2).
- 2:** Based on FCY = FOSC/2, Doze mode and PLL are disabled.

Example 17-1 shows the calculation of the baud rate error for the following conditions:

- FCY = 4 MHz
- Desired Baud Rate = 9600

### EXAMPLE 17-1: BAUD RATE ERROR CALCULATION (BRGH = 0)<sup>(1)</sup>

$$\text{Desired Baud Rate} = \text{FCY}/(16 (\text{UxBRG} + 1))$$

Solving for UxBRG Value:

$$\text{UxBRG} = ((\text{FCY}/\text{Desired Baud Rate})/16) - 1$$

$$\text{UxBRG} = ((4000000/9600)/16) - 1$$

$$\text{UxBRG} = 25$$

$$\begin{aligned} \text{Calculated Baud Rate} &= 4000000/(16 (25 + 1)) \\ &= 9615 \end{aligned}$$

$$\begin{aligned} \text{Error} &= (\text{Calculated Baud Rate} - \text{Desired Baud Rate}) \\ &\quad \text{Desired Baud Rate} \\ &= (9615 - 9600)/9600 \\ &= 0.16\% \end{aligned}$$

- Note 1:** Based on FCY = FOSC/2, Doze mode and PLL are disabled.

The maximum baud rate (BRGH = 0) possible is FCY/16 (for UxBRG = 0) and the minimum baud rate possible is FCY/(16 \* 65536).

Equation 17-2 shows the formula for computation of the baud rate with BRGH = 1.

### EQUATION 17-2: UART BAUD RATE WITH BRGH = 1<sup>(1,2)</sup>

$$\text{Baud Rate} = \frac{\text{FCY}}{4 \cdot (\text{UxBRG} + 1)}$$

$$\text{UxBRG} = \frac{\text{FCY}}{4 \cdot \text{Baud Rate}} - 1$$

- Note 1:** FCY denotes the instruction cycle clock frequency.
- 2:** Based on FCY = FOSC/2, Doze mode and PLL are disabled.

The maximum baud rate (BRGH = 1) possible is FCY/4 (for UxBRG = 0) and the minimum baud rate possible is FCY/(4 \* 65536).

Writing a new value to the UxBRG register causes the BRG timer to be reset (cleared). This ensures the BRG does not wait for a timer overflow before generating the new baud rate.

## 17.2 Transmitting in 8-Bit Data Mode

1. Set up the UART:
  - a) Write appropriate values for data, parity and Stop bits.
  - b) Write appropriate baud rate value to the UxBRG register.
  - c) Set up transmit and receive interrupt enable and priority bits.
2. Enable the UART.
3. Set the UTXEN bit (causes a transmit interrupt two cycles after being set).
4. Write data byte to the lower byte of UxTXREG word. The value will be immediately transferred to the Transmit Shift Register (TSR) and the serial bit stream will start shifting out with the next rising edge of the baud clock.
5. Alternately, the data byte may be transferred while UTXEN = 0 and then the user may set UTXEN. This will cause the serial bit stream to begin immediately because the baud clock will start from a cleared state.
6. A transmit interrupt will be generated as per interrupt control bit, UTXISELx.

## 17.3 Transmitting in 9-Bit Data Mode

1. Set up the UART (as described in **Section 17.2 “Transmitting in 8-Bit Data Mode”**).
2. Enable the UART.
3. Set the UTXEN bit (causes a transmit interrupt).
4. Write UxTXREG as a 16-bit value only.
5. A word write to UxTXREG triggers the transfer of the 9-bit data to the TSR. The serial bit stream will start shifting out with the first rising edge of the baud clock.
6. A transmit interrupt will be generated as per the setting of control bit, UTXISELx.

## 17.4 Break and Sync Transmit Sequence

The following sequence will send a message frame header made up of a Break, followed by an Auto-Baud Sync byte.

1. Configure the UART for the desired mode.
2. Set UTXEN and UTXBRK to set up the Break character.
3. Load the UxTXREG with a dummy character to initiate transmission (value is ignored).
4. Write '55h' to UxTXREG; this loads the Sync character into the transmit FIFO.
5. After the Break has been sent, the UTXBRK bit is reset by hardware. The Sync character now transmits.

## 17.5 Receiving in 8-Bit or 9-Bit Data Mode

1. Set up the UART (as described in **Section 17.2 “Transmitting in 8-Bit Data Mode”**).
2. Enable the UART.
3. A receive interrupt will be generated when one or more data characters have been received as per interrupt control bit, URXISELx.
4. Read the OERR bit to determine if an overrun error has occurred. The OERR bit must be reset in software.
5. Read UxRXREG.

The act of reading the UxRXREG character will move the next character to the top of the receive FIFO, including a new set of PERR and FERR values.

## 17.6 Operation of $\overline{\text{UxCTS}}$ and $\overline{\text{UxRTS}}$ Control Pins

UARTx Clear to Send ( $\overline{\text{UxCTS}}$ ) and Request to Send ( $\overline{\text{UxRTS}}$ ) are the two hardware-controlled pins that are associated with the UART module. These two pins allow the UART to operate in Simplex and Flow Control modes. They are implemented to control the transmission and reception between the Data Terminal Equipment (DTE). The UEN<1:0> bits in the UxMODE register configure these pins.

## 17.7 Infrared Support

The UART module provides two types of infrared UART support: one is the IrDA clock output to support the external IrDA encoder and decoder device (legacy module support), and the other is the full implementation of the IrDA encoder and decoder. Note that because the IrDA modes require a 16x baud clock, they will only work when the BRGH bit (UxMODE<3>) is '0'.

### 17.7.1 IRDA CLOCK OUTPUT FOR EXTERNAL IRDA SUPPORT

To support external IrDA encoder and decoder devices, the BCLKx pin (same as the UxRTS pin) can be configured to generate the 16x baud clock. When UEN<1:0> = 11, the BCLKx pin will output the 16x baud clock if the UART module is enabled. It can be used to support the IrDA codec chip.

### 17.7.2 BUILT-IN IRDA ENCODER AND DECODER

The UART has full implementation of the IrDA encoder and decoder as part of the UART module. The built-in IrDA encoder and decoder functionality is enabled using the IREN bit (UxMODE<12>). When enabled (IREN = 1), the receive pin (UxRX) acts as the input from the infrared receiver. The transmit pin (UxTX) acts as the output to the infrared transmitter.

# PIC24FJ64GB004 FAMILY

## REGISTER 17-1: UxMODE: UARTx MODE REGISTER

|                       |     |       |                     |       |     |       |       |
|-----------------------|-----|-------|---------------------|-------|-----|-------|-------|
| R/W-0                 | U-0 | R/W-0 | R/W-0               | R/W-0 | U-0 | R/W-0 | R/W-0 |
| UARTEN <sup>(1)</sup> | —   | USIDL | IREN <sup>(2)</sup> | RTSMD | —   | UEN1  | UEN0  |
| bit 15                |     |       |                     |       |     | bit 8 |       |

|           |        |           |       |       |        |        |       |
|-----------|--------|-----------|-------|-------|--------|--------|-------|
| R/W-0, HC | R/W-0  | R/W-0, HC | R/W-0 | R/W-0 | R/W-0  | R/W-0  | R/W-0 |
| WAKE      | LPBACK | ABAUD     | RXINV | BRGH  | PDSEL1 | PDSEL0 | STSEL |
| bit 7     |        |           |       |       |        | bit 0  |       |

|                   |                                    |
|-------------------|------------------------------------|
| <b>Legend:</b>    | HC = Hardware Clearable bit        |
| R = Readable bit  | W = Writable bit                   |
| -n = Value at POR | '1' = Bit is set                   |
|                   | U = Unimplemented bit, read as '0' |
|                   | '0' = Bit is cleared               |
|                   | x = Bit is unknown                 |

- bit 15     **UARTEN:** UARTx Enable bit<sup>(1)</sup>  
 1 = UARTx is enabled; all UARTx pins are controlled by UARTx as defined by UEN<1:0>  
 0 = UARTx is disabled; all UARTx pins are controlled by port latches; UARTx power consumption is minimal
- bit 14     **Unimplemented:** Read as '0'
- bit 13     **USIDL:** Stop in Idle Mode bit  
 1 = Discontinue module operation when the device enters Idle mode  
 0 = Continue module operation in Idle mode
- bit 12     **IREN:** IrDA<sup>®</sup> Encoder and Decoder Enable bit<sup>(2)</sup>  
 1 = IrDA encoder and decoder enabled  
 0 = IrDA encoder and decoder disabled
- bit 11     **RTSMD:** Mode Selection for  $\overline{\text{UxRTS}}$  Pin bit  
 1 =  $\overline{\text{UxRTS}}$  pin in Simplex mode  
 0 =  $\overline{\text{UxRTS}}$  pin in Flow Control mode
- bit 10     **Unimplemented:** Read as '0'
- bit 9-8    **UEN<1:0>:** UARTx Enable bits  
 11 =  $\overline{\text{UxTX}}$ ,  $\overline{\text{UxRX}}$  and  $\overline{\text{BCLKx}}$  pins are enabled and used;  $\overline{\text{UxCTS}}$  pin controlled by port latches  
 10 =  $\overline{\text{UxTX}}$ ,  $\overline{\text{UxRX}}$ ,  $\overline{\text{UxCTS}}$  and  $\overline{\text{UxRTS}}$  pins are enabled and used  
 01 =  $\overline{\text{UxTX}}$ ,  $\overline{\text{UxRX}}$  and  $\overline{\text{UxRTS}}$  pins are enabled and used;  $\overline{\text{UxCTS}}$  pin controlled by port latches  
 00 =  $\overline{\text{UxTX}}$  and  $\overline{\text{UxRX}}$  pins are enabled and used;  $\overline{\text{UxCTS}}$  and  $\overline{\text{UxRTS/BCLKx}}$  pins controlled by port latches
- bit 7     **WAKE:** Wake-up on Start Bit Detect During Sleep Mode Enable bit  
 1 = UARTx will continue to sample the  $\overline{\text{UxRX}}$  pin; interrupt generated on falling edge; bit cleared in hardware on following rising edge  
 0 = No wake-up enabled
- bit 6     **LPBACK:** UARTx Loopback Mode Select bit  
 1 = Enable Loopback mode  
 0 = Loopback mode is disabled
- bit 5     **ABAUD:** Auto-Baud Enable bit  
 1 = Enable baud rate measurement on the next character – requires reception of a Sync field (55h); cleared in hardware upon completion  
 0 = Baud rate measurement disabled or completed
- bit 4     **RXINV:** Receive Polarity Inversion bit  
 1 =  $\overline{\text{UxRX}}$  Idle state is '0'  
 0 =  $\overline{\text{UxRX}}$  Idle state is '1'

- Note 1:** If UARTEN = 1, the peripheral inputs and outputs must be configured to an available RPN pin. See **Section 10.4 “Peripheral Pin Select (PPS)”** for more information.
- 2:** This feature is only available for the 16x BRG mode (BRGH = 0).



# PIC24FJ64GB004 FAMILY

---

## REGISTER 17-1: UxMODE: UARTx MODE REGISTER (CONTINUED)

- bit 3      **BRGH:** High Baud Rate Enable bit  
1 = High-Speed mode (four BRG clock cycles per bit)  
0 = Standard mode (16 BRG clock cycles per bit)
- bit 2-1    **PDSEL<1:0>:** Parity and Data Selection bits  
11 = 9-bit data, no parity  
10 = 8-bit data, odd parity  
01 = 8-bit data, even parity  
00 = 8-bit data, no parity
- bit 0      **STSEL:** Stop Bit Selection bit  
1 = Two Stop bits  
0 = One Stop bit

- Note 1:** If `UARTEN = 1`, the peripheral inputs and outputs must be configured to an available `RPn` pin. See **Section 10.4 “Peripheral Pin Select (PPS)”** for more information.
- 2:** This feature is only available for the 16x BRG mode (`BRGH = 0`).

# PIC24FJ64GB004 FAMILY

## REGISTER 17-2: UxSTA: UARTx STATUS AND CONTROL REGISTER

|          |                       |          |     |           |                      |       |       |
|----------|-----------------------|----------|-----|-----------|----------------------|-------|-------|
| R/W-0    | R/W-0                 | R/W-0    | U-0 | R/W-0, HC | R/W-0                | R-0   | R-1   |
| UTXISEL1 | UTXINV <sup>(1)</sup> | UTXISEL0 | —   | UTXBRK    | UTXEN <sup>(2)</sup> | UTXBF | TRMT  |
| bit 15   |                       |          |     |           |                      |       | bit 8 |

|          |          |       |       |      |      |       |       |
|----------|----------|-------|-------|------|------|-------|-------|
| R/W-0    | R/W-0    | R/W-0 | R-1   | R-0  | R-0  | R/C-0 | R-0   |
| URXISEL1 | URXISEL0 | ADDEN | RIDLE | PERR | FERR | OERR  | URXDA |
| bit 7    |          |       |       |      |      |       | bit 0 |

|                   |                   |                                    |
|-------------------|-------------------|------------------------------------|
| <b>Legend:</b>    | C = Clearable bit | HC = Hardware Clearable bit        |
| R = Readable bit  | W = Writable bit  | U = Unimplemented bit, read as '0' |
| -n = Value at POR | '1' = Bit is set  | '0' = Bit is cleared               |
|                   |                   | x = Bit is unknown                 |

- bit 15,13 **UTXISEL<1:0>**: Transmission Interrupt Mode Selection bits
- 11 = Reserved; do not use
  - 10 = Interrupt when a character is transferred to the Transmit Shift Register (TSR), and as a result, the transmit buffer becomes empty
  - 01 = Interrupt when the last character is shifted out of the Transmit Shift Register; all transmit operations are completed
  - 00 = Interrupt when a character is transferred to the Transmit Shift Register (this implies there is at least one character open in the transmit buffer)
- bit 14 **UTXINV**: IrDA<sup>®</sup> Encoder Transmit Polarity Inversion bit<sup>(1)</sup>
- IREN = 0:
- 1 = UxTX Idle '0'
  - 0 = UxTX Idle '1'
- IREN = 1:
- 1 = UxTX Idle '1'
  - 0 = UxTX Idle '0'
- bit 12 **Unimplemented**: Read as '0'
- bit 11 **UTXBRK**: Transmit Break bit
- 1 = Send Sync Break on next transmission – Start bit, followed by twelve '0' bits, followed by Stop bit; cleared by hardware upon completion
  - 0 = Sync Break transmission disabled or completed
- bit 10 **UTXEN**: Transmit Enable bit<sup>(2)</sup>
- 1 = Transmit enabled, UxTX pin controlled by UARTx
  - 0 = Transmit disabled, any pending transmission is aborted and the buffer is reset; UxTX pin controlled by port
- bit 9 **UTXBF**: Transmit Buffer Full Status bit (read-only)
- 1 = Transmit buffer is full
  - 0 = Transmit buffer is not full; at least one more character can be written
- bit 8 **TRMT**: Transmit Shift Register Empty bit (read-only)
- 1 = Transmit Shift Register is empty and transmit buffer is empty (the last transmission has completed)
  - 0 = Transmit Shift Register is not empty, a transmission is in progress or queued
- bit 7-6 **URXISEL<1:0>**: Receive Interrupt Mode Selection bits
- 11 = Interrupt is set on RSR transfer, making the receive buffer full (i.e., has 4 data characters)
  - 10 = Interrupt is set on RSR transfer, making the receive buffer 3/4 full (i.e., has 3 data characters)
  - 0x = Interrupt is set when any character is received and transferred from the RSR to the receive buffer; receive buffer has one or more characters

**Note 1:** Value of bit only affects the transmit properties of the module when the IrDA encoder is enabled (IREN = 1).

**Note 2:** If UARTEEN = 1, the peripheral inputs and outputs must be configured to an available RPN pin. See **Section 10.4 “Peripheral Pin Select (PPS)”** for more information.

# PIC24FJ64GB004 FAMILY

---

## REGISTER 17-2: UxSTA: UARTx STATUS AND CONTROL REGISTER (CONTINUED)

- bit 5      **ADDEN:** Address Character Detect bit (bit 8 of received data = 1)  
          1 = Address Detect mode enabled. If 9-bit mode is not selected, this does not take effect.  
          0 = Address Detect mode disabled
- bit 4      **RIDLE:** Receiver Idle bit (read-only)  
          1 = Receiver is Idle  
          0 = Receiver is active
- bit 3      **PERR:** Parity Error Status bit (read-only)  
          1 = Parity error has been detected for the current character (character at the top of the receive FIFO)  
          0 = Parity error has not been detected
- bit 2      **FERR:** Framing Error Status bit (read-only)  
          1 = Framing error has been detected for the current character (character at the top of the receive FIFO)  
          0 = Framing error has not been detected
- bit 1      **OERR:** Receive Buffer Overrun Error Status bit (clear/read-only)  
          1 = Receive buffer has overflowed  
          0 = Receive buffer has not overflowed (clearing a previously set OERR bit (1 → 0 transition) will reset the receiver buffer and the RSR to the empty state)
- bit 0      **URXDA:** Receive Buffer Data Available bit (read-only)  
          1 = Receive buffer has data, at least one more character can be read  
          0 = Receive buffer is empty

- Note 1:** Value of bit only affects the transmit properties of the module when the IrDA encoder is enabled (IREN = 1).
- Note 2:** If UARTEEN = 1, the peripheral inputs and outputs must be configured to an available RPN pin. See **Section 10.4 “Peripheral Pin Select (PPS)”** for more information.

# PIC24FJ64GB004 FAMILY

---

NOTES:

# PIC24FJ64GB004 FAMILY

## 18.0 UNIVERSAL SERIAL BUS WITH ON-THE-GO SUPPORT (USB OTG)

**Note:** This data sheet summarizes the features of this group of PIC24F devices. It is not intended to be a comprehensive reference source. For more information, refer to the “PIC24F Family Reference Manual”, “Section 27. USB On-The-Go (OTG)” (DS39721).

PIC24FJ64GB004 family devices contain a full-speed and low-speed compatible, On-The-Go (OTG) USB Serial Interface Engine (SIE). The OTG capability allows the device to act either as a USB peripheral device or as a USB embedded host with limited host capabilities. The OTG capability allows the device to dynamically switch from device to host operation using OTG’s Host Negotiation Protocol (HNP).

For more details on OTG operation, refer to the “On-The-Go Supplement to the USB 2.0 Specification”, published by the USB-IF. For more information on USB operation, refer to the “Universal Serial Bus Specification”, v2.0.

The USB OTG module offers these features:

- USB functionality in Device and Host modes, and OTG capabilities for application-controlled mode switching
- 0.25% Accuracy using Internal Oscillator – No External Crystal Required
- Software-selectable module speeds of full speed (12 Mbps) or low speed (1.5 Mbps, available in Host mode only)
- Support for all four USB transfer types: control, interrupt, bulk and isochronous
- 16 bidirectional endpoints for a total of 32 unique endpoints
- DMA interface for data RAM access
- Queues up to sixteen unique endpoint transfers without servicing
- Integrated on-chip USB transceiver, with support for off-chip transceivers via a digital interface
- Integrated VBUS generation with on-chip comparators and boost generation, and support of external VBUS comparators and regulators through a digital interface
- Configurations for on-chip bus pull-up and pull-down resistors

A simplified block diagram of the USB OTG module is shown in Figure 18-1.

The USB OTG module can function as a USB peripheral device or as a USB host, and may dynamically switch between Device and Host modes under software control. In either mode, the same data paths and buffer descriptors are used for the transmission and reception of data.

In discussing USB operation, this section will use a controller-centric nomenclature for describing the direction of the data transfer between the microcontroller and the USB. Rx (Receive) will be used to describe transfers that move data from the USB to the microcontroller, and Tx (Transmit) will be used to describe transfers that move data from the microcontroller to the USB. Table 18-1 shows the relationship between data direction in this nomenclature and the USB tokens exchanged.

**TABLE 18-1: CONTROLLER-CENTRIC DATA DIRECTION FOR USB HOST OR TARGET**

| USB Mode | Direction    |              |
|----------|--------------|--------------|
|          | Rx           | Tx           |
| Device   | OUT or SETUP | IN           |
| Host     | IN           | OUT or SETUP |

This chapter presents the most basic operations needed to implement USB OTG functionality in an application. A complete and detailed discussion of the USB protocol and its OTG supplement are beyond the scope of this data sheet. It is assumed that the user already has a basic understanding of USB architecture and the latest version of the protocol.

Not all steps for proper USB operation (such as device enumeration) are presented here. It is recommended that application developers use an appropriate device driver to implement all of the necessary features. Microchip provides a number of application-specific resources, such as USB firmware and driver support. Refer to [www.microchip.com/usb](http://www.microchip.com/usb) for the latest firmware and driver support.

# PIC24FJ64GB004 FAMILY

FIGURE 18-1: USB OTG MODULE BLOCK DIAGRAM



# PIC24FJ64GB004 FAMILY

## 18.1 Hardware Configuration

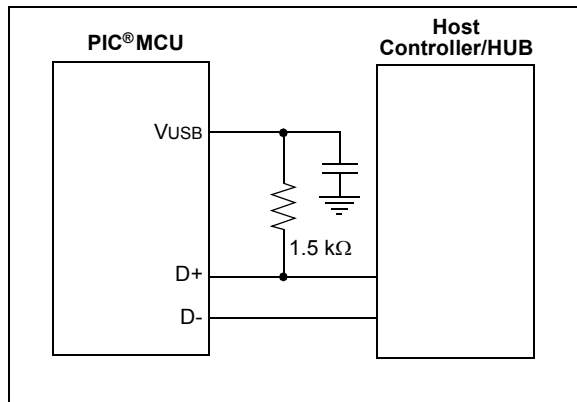
### 18.1.1 DEVICE MODE

#### 18.1.1.1 D+ Pull-up Resistor

PIC24FJ64GB004 family devices have a built-in 1.5 kΩ resistor on the D+ line that is available when the microcontroller in operating in device mode. This is used to signal an external Host that the device is operating in Full-Speed Device mode. It is engaged by setting the USBEN bit (U1CON<0>). If the OTGEN bit (U1OTGCON<2>) is set, then the D+ pull-up is enabled through the DPPULUP bit (U1OTGCON<7>).

Alternatively, an external resistor may be used on D+, as shown in Figure 18-2.

**FIGURE 18-2: EXTERNAL PULL-UP FOR FULL-SPEED DEVICE MODE**



#### 18.1.1.2 Power Modes

Many USB applications will likely have several different sets of power requirements and configuration. The most common power modes encountered are:

- Bus Power Only
- Self-Power Only
- Dual Power with Self-Power Dominance

Bus Power Only mode (Figure 18-3) is effectively the simplest method. All power for the application is drawn from the USB.

To meet the inrush current requirements of the USB 2.0 Specification, the total effective capacitance appearing across VBUS and ground must be no more than 10 μF.

In the USB Suspend mode, devices must consume no more than 2.5 mA from the 5V VBUS line of the USB cable. During the USB Suspend mode, the D+ or D-pull-up resistor must remain active, which will consume some of the allowed suspend current.

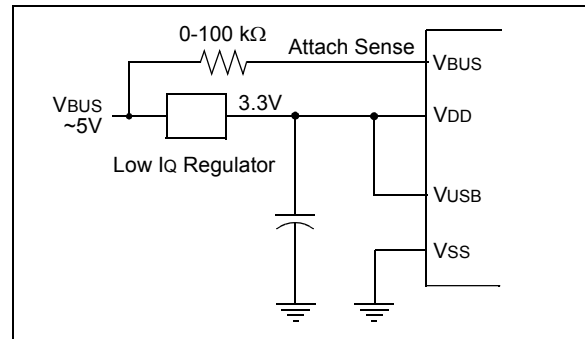
In Self-Power Only mode (Figure 18-4), the USB application provides its own power, with very little power being pulled from the USB. Note that an attach indication is added to indicate when the USB has been connected and the host is actively powering VBUS.

To meet compliance specifications, the USB module (and the D+ or D- pull-up resistor) should not be enabled until the host actively drives VBUS high. One of the 5.5V tolerant I/O pins may be used for this purpose.

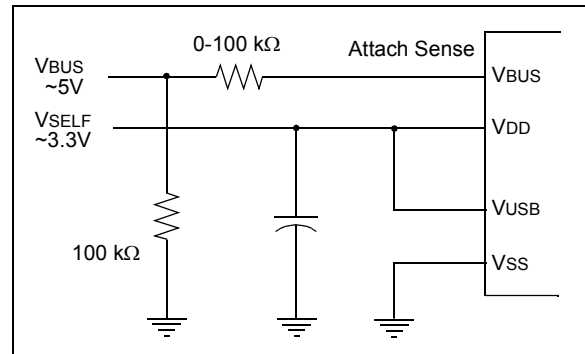
The application should never source any current onto the 5V VBUS pin of the USB cable.

The Dual Power option with Self-Power Dominance (Figure 18-5) allows the application to use internal power primarily, but switch to power from the USB when no internal power is available. Dual Power devices must also meet all of the special requirements for inrush current and Suspend mode current previously described, and must not enable the USB module until VBUS is driven high.

**FIGURE 18-3: BUS POWER ONLY**



**FIGURE 18-4: SELF-POWER ONLY**



**FIGURE 18-5: DUAL POWER EXAMPLE**



# PIC24FJ64GB004 FAMILY

## 18.1.2 HOST AND OTG MODES

### 18.1.2.1 D+ and D- Pull-down Resistors

PIC24FJ64GB004 family devices have built-in 15 kΩ pull-down resistor on the D+ and D- lines. These are used in tandem to signal to the bus that the microcontroller is operating in Host mode. They are engaged by setting the HOSTEN bit (U1CON<3>). If the OTGEN bit (U1OTGCON<2>) is set, then these pull-downs are enabled by setting the DPPULDWN and DMPULDWN bits (U1OTGCON<5:4>).

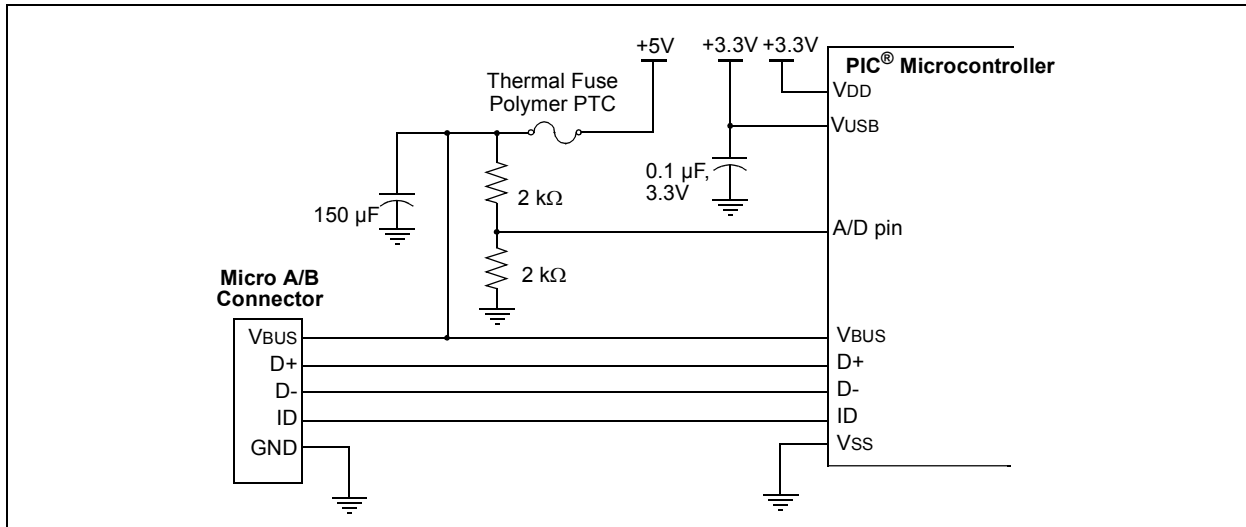
microcontroller is running below VBUS and is not able to source sufficient current, a separate power supply must be provided.

When the application is always operating in Host mode, a simple circuit can be used to supply VBUS and regulate current on the bus (Figure 18-6). For OTG operation, it is necessary to be able to turn VBUS on or off as needed, as the microcontroller switches between Device and Host modes. A typical example using an external charge pump is shown in Figure 18-7.

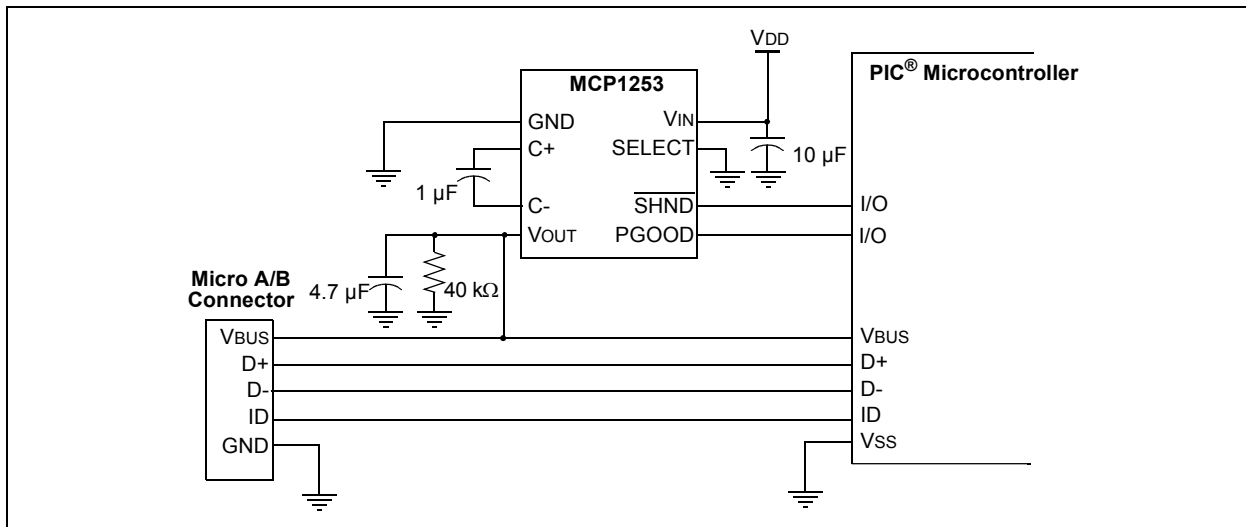
### 18.1.2.2 Power Configurations

In Host mode, as well as Host mode in On-the-Go operation, the USB 2.0 specification requires that the Host application supply power on VBUS. Since the

**FIGURE 18-6: HOST INTERFACE EXAMPLE**



**FIGURE 18-7: OTG INTERFACE EXAMPLE**





# PIC24FJ64GB004 FAMILY

## 18.1.2.3 VBUS Voltage Generation with External Devices

When operating as a USB host, either as an A-device in an OTG configuration or as an embedded host, VBUS must be supplied to the attached device. PIC24FJ64GB004 family devices have an internal VBUS boost assist to help generate the required 5V VBUS from the available voltages on the board. This is comprised of a simple PWM output to control a switch-mode power supply, and built-in comparators to monitor output voltage and limit current.

To enable voltage generation:

1. Verify that the USB module is powered (U1PWRC<0> = 1) and that the VBUS discharge is disabled (U1OTGCON<0> = 0).
2. Set the PWM period (U1PWMRRS<7:0>) and duty cycle (U1PWMRRS<15:8>) as required.
3. Select the required polarity of the output signal based on the configuration of the external circuit with the PWMPOL bit (U1PWMCON<9>).
4. Select the desired target voltage using the VBUSCHG bit (U1OTGCON<1>).
5. Enable the PWM counter by setting the CNTEN bit to '1' (U1PWMCON<8>).
6. Enable the PWM module by setting the PWMEN bit to '1' (U1PWMCON<15>).
7. Enable the VBUS generation circuit (U1OTGCON<3> = 1).

**Note:** This section describes the general process for VBUS voltage generation and control. Please refer to the “PIC24F Family Reference Manual” for additional examples.

## 18.1.3 USING AN EXTERNAL INTERFACE

Some applications may require the USB interface to be isolated from the rest of the system. PIC24FJ64GB004 family devices include a complete interface to communicate with and control an external USB transceiver, including the control of data line pull-ups and pull-downs. The VBUS voltage generation control circuit can also be configured for different VBUS generation topologies.

Please refer to the “PIC24F Family Reference Manual”, “Section 27. USB On-The-Go (OTG)” for information on using the external interface.

## 18.1.4 CALCULATING TRANSCEIVER POWER REQUIREMENTS

The USB transceiver consumes a variable amount of current depending on the characteristic impedance of the USB cable, the length of the cable, the VUSB supply voltage and the actual data patterns moving across the USB cable. Longer cables have larger capacitances and consume more total energy when switching output states. The total transceiver current consumption will be application-specific. Equation 18-1 can help estimate how much current actually may be required in Full-speed applications.

Please refer to the “PIC24F Family Reference Manual”, “Section 27. USB On-The-Go (OTG)” for a complete discussion on transceiver power consumption.

## EQUATION 18-1: ESTIMATING USB TRANSCEIVER CURRENT CONSUMPTION

$$I_{XCVR} = \frac{(40 \text{ mA} \cdot V_{USB} \cdot P_{ZERO} \cdot P_{IN} \cdot L_{CABLE})}{(3.3\text{V} \cdot 5\text{m})} + I_{PULLUP}$$

**Legend:** VUSB – Voltage applied to the VUSB pin in volts (3.0V to 3.6V).

PZERO – Percentage (in decimal) of the IN traffic bits sent by the PIC® microcontroller that are a value of '0'.

PIN – Percentage (in decimal) of total bus bandwidth that is used for IN traffic.

LCABLE – Length (in meters) of the USB cable. The USB 2.0 Specification requires that full-speed applications use cables no longer than 5m.

IPULLUP – Current which the nominal, 1.5 kΩ pull-up resistor (when enabled) must supply to the USB cable.

# PIC24FJ64GB004 FAMILY

## 18.2 USB Buffer Descriptors and the BDT

Endpoint buffer control is handled through a structure called the Buffer Descriptor Table (BDT). This provides a flexible method for users to construct and control endpoint buffers of various lengths and configurations.

The BDT can be located in any available, 512-byte aligned block of data RAM. The BDT Pointer (U1BDTP1) contains the upper address byte of the BDT, and sets the location of the BDT in RAM. The user must set this pointer to indicate the table's location.

The BDT is composed of Buffer Descriptors (BDs) which are used to define and control the actual buffers in the USB RAM space. Each BD consists of two, 16-bit "soft" (non-fixed-address) registers, BDnSTAT and BDnADR, where n represents one of the 64 possible BDs (range of 0 to 63). BDnSTAT is the status register for BDn, while BDnADR specifies the starting address for the buffer associated with BDn.

Depending on the endpoint buffering configuration used, there are up to 64 sets of buffer descriptors, for a total of 256 bytes. At a minimum, the BDT must be at least 8 bytes long. This is because the USB specification mandates that every device must have Endpoint 0 with both input and output for initial setup.

Endpoint mapping in the BDT is dependent on three variables:

- Endpoint number (0 to 15)
- Endpoint direction (Rx or Tx)
- Ping-pong settings (U1CNFG1<1:0>)

Figure 18-8 illustrates how these variables are used to map endpoints in the BDT.

In Host mode, only Endpoint 0 buffer descriptors are used. All transfers utilize the Endpoint 0 buffer descriptor and Endpoint Control register (U1EP0). For received packets, the attached device's source endpoint is indicated by the value of ENDPT3:ENDPT0 in the USB status register (U1STAT<7:4>). For transmitted packet, the attached device's destination endpoint is indicated by the value written to the Token register (U1TOK).

**FIGURE 18-8: BDT MAPPING FOR ENDPOINT BUFFERING MODES**



# PIC24FJ64GB004 FAMILY

BDs have a fixed relationship to a particular endpoint, depending on the buffering configuration. Table 18-2 provides the mapping of BDs to endpoints. This relationship also means that gaps may occur in the BDT if endpoints are not enabled contiguously. This theoretically means that the BDs for disabled endpoints could be used as buffer space. In practice, users should avoid using such spaces in the BDT unless a method of validating BD addresses is implemented.

## 18.2.1 BUFFER OWNERSHIP

Because the buffers and their BDs are shared between the CPU and the USB module, a simple semaphore mechanism is used to distinguish which is allowed to update the BD and associated buffers in memory. This is done by using the UOWN bit as a semaphore to distinguish which is allowed to update the BD and associated buffers in memory. UOWN is the only bit that is shared between the two configurations of BDnSTAT.

When UOWN is clear, the BD entry is “owned” by the microcontroller core. When the UOWN bit is set, the BD entry and the buffer memory are “owned” by the USB peripheral. The core should not modify the BD or its corresponding data buffer during this time. Note that the microcontroller core can still read BDnSTAT while the SIE owns the buffer and vice versa.

The buffer descriptors have a different meaning based on the source of the register update. Register 18-1 and Register 18-2 show the differences in BDnSTAT depending on its current “ownership”.

When UOWN is set, the user can no longer depend on the values that were written to the BDs. From this point, the USB module updates the BDs as necessary, overwriting the original BD values. The BDnSTAT register is updated by the SIE with the token PID and the transfer count is updated.

## 18.2.2 DMA INTERFACE

The USB OTG module uses a dedicated DMA to access both the BDT and the endpoint data buffers. Since part of the address space of the DMA is dedicated to the Buffer Descriptors, a portion of the memory connected to the DMA must comprise a contiguous address space properly mapped for the access by the module.

**TABLE 18-2: ASSIGNMENT OF BUFFER DESCRIPTORS FOR THE DIFFERENT BUFFERING MODES**

| Endpoint | BDs Assigned to Endpoint |    |                                  |    |                                  |                |                                                       |                |
|----------|--------------------------|----|----------------------------------|----|----------------------------------|----------------|-------------------------------------------------------|----------------|
|          | Mode 0<br>(No Ping-Pong) |    | Mode 1<br>(Ping-Pong on EP0 OUT) |    | Mode 2<br>(Ping-Pong on all EPs) |                | Mode 3<br>(Ping-Pong on all other EPs,<br>except EP0) |                |
|          | Out                      | In | Out                              | In | Out                              | In             | Out                                                   | In             |
| 0        | 0                        | 1  | 0 (E), 1 (O)                     | 2  | 0 (E), 1 (O)                     | 2 (E), 3 (O)   | 0                                                     | 1              |
| 1        | 2                        | 3  | 3                                | 4  | 4 (E), 5 (O)                     | 6 (E), 7 (O)   | 2 (E), 3 (O)                                          | 4 (E), 5 (O)   |
| 2        | 4                        | 5  | 5                                | 6  | 8 (E), 9 (O)                     | 10 (E), 11 (O) | 6 (E), 7 (O)                                          | 8 (E), 9 (O)   |
| 3        | 6                        | 7  | 7                                | 8  | 12 (E), 13 (O)                   | 14 (E), 15 (O) | 10 (E), 11 (O)                                        | 12 (E), 13 (O) |
| 4        | 8                        | 9  | 9                                | 10 | 16 (E), 17 (O)                   | 18 (E), 19 (O) | 14 (E), 15 (O)                                        | 16 (E), 17 (O) |
| 5        | 10                       | 11 | 11                               | 12 | 20 (E), 21 (O)                   | 22 (E), 23 (O) | 18 (E), 19 (O)                                        | 20 (E), 21 (O) |
| 6        | 12                       | 13 | 13                               | 14 | 24 (E), 25 (O)                   | 26 (E), 27 (O) | 22 (E), 23 (O)                                        | 24 (E), 25 (O) |
| 7        | 14                       | 15 | 15                               | 16 | 28 (E), 29 (O)                   | 30 (E), 31 (O) | 26 (E), 27 (O)                                        | 28 (E), 29 (O) |
| 8        | 16                       | 17 | 17                               | 18 | 32 (E), 33 (O)                   | 34 (E), 35 (O) | 30 (E), 31 (O)                                        | 32 (E), 33 (O) |
| 9        | 18                       | 19 | 19                               | 20 | 36 (E), 37 (O)                   | 38 (E), 39 (O) | 34 (E), 35 (O)                                        | 36 (E), 37 (O) |
| 10       | 20                       | 21 | 21                               | 22 | 40 (E), 41 (O)                   | 42 (E), 43 (O) | 38 (E), 39 (O)                                        | 40 (E), 41 (O) |
| 11       | 22                       | 23 | 23                               | 24 | 44 (E), 45 (O)                   | 46 (E), 47 (O) | 42 (E), 43 (O)                                        | 44 (E), 45 (O) |
| 12       | 24                       | 25 | 25                               | 26 | 48 (E), 49 (O)                   | 50 (E), 51 (O) | 46 (E), 47 (O)                                        | 48 (E), 49 (O) |
| 13       | 26                       | 27 | 27                               | 28 | 52 (E), 53 (O)                   | 54 (E), 55 (O) | 50 (E), 51 (O)                                        | 52 (E), 53 (O) |
| 14       | 28                       | 29 | 29                               | 30 | 56 (E), 57 (O)                   | 58 (E), 59 (O) | 54 (E), 55 (O)                                        | 56 (E), 57 (O) |
| 15       | 30                       | 31 | 31                               | 32 | 60 (E), 61 (O)                   | 62 (E), 63 (O) | 58 (E), 59 (O)                                        | 60 (E), 61 (O) |

**Legend:** (E) = Even transaction buffer, (O) = Odd transaction buffer

# PIC24FJ64GB004 FAMILY

## REGISTER 18-1: BDnSTAT: BUFFER DESCRIPTOR n STATUS REGISTER PROTOTYPE, USB MODE (BD0STAT THROUGH BD63STAT)

|        |       |       |       |       |       |       |       |
|--------|-------|-------|-------|-------|-------|-------|-------|
| R/W-x  | R/W-x | R/W-x | R/W-x | R/W-x | R/W-x | R/W-x | R/W-x |
| UOWN   | DTS   | PID3  | PID2  | PID1  | PID0  | BC9   | BC8   |
| bit 15 |       |       |       |       |       | bit 8 |       |

|       |       |       |       |       |       |       |       |
|-------|-------|-------|-------|-------|-------|-------|-------|
| R/W-x | R/W-x | R/W-x | R/W-x | R/W-x | R/W-x | R/W-x | R/W-x |
| BC7   | BC6   | BC5   | BC4   | BC3   | BC2   | BC1   | BC0   |
| bit 7 |       |       |       |       |       | bit 0 |       |

### Legend:

R = Readable bit                      W = Writable bit                      U = Unimplemented bit, read as '0'  
 -n = Value at POR                      '1' = Bit is set                      '0' = Bit is cleared                      x = Bit is unknown

- bit 15            **UOWN:** USB Own bit  
                   1 = The USB module owns the BD and its corresponding buffer; the CPU must not modify the BD or the buffer
- bit 14            **DTS:** Data Toggle Packet bit  
                   1 = Data 1 packet  
                   0 = Data 0 packet
- bit 13-10        **PID<3:0>:** Packet Identifier bits (written by the USB module)  
                   In Device mode:  
                   Represents the PID of the received token during the last transfer.  
                   In Host mode:  
                   Represents the last returned PID, or the transfer status indicator.
- bit 9-0            **BC<9:0>:** Byte Count  
                   This represents the number of bytes to be transmitted or the maximum number of bytes to be received during a transfer. Upon completion, the byte count is updated by the USB module with the actual number of bytes transmitted or received.

# PIC24FJ64GB004 FAMILY

**REGISTER 18-2: BDnSTAT: BUFFER DESCRIPTOR n STATUS REGISTER PROTOTYPE, CPU MODE (BD0STAT THROUGH BD63STAT)**

|        |                    |       |       |       |        |       |       |
|--------|--------------------|-------|-------|-------|--------|-------|-------|
| R/W-x  | R/W-x              | R/W-x | R/W-x | R/W-x | R/W-x  | R/W-x | R/W-x |
| UOWN   | DTS <sup>(1)</sup> | 0     | 0     | DTSEN | BSTALL | BC9   | BC8   |
| bit 15 |                    |       |       |       |        | bit 8 |       |

|       |       |       |       |       |       |       |       |
|-------|-------|-------|-------|-------|-------|-------|-------|
| R/W-x | R/W-x | R/W-x | R/W-x | R/W-x | R/W-x | R/W-x | R/W-x |
| BC7   | BC6   | BC5   | BC4   | BC3   | BC2   | BC1   | BC0   |
| bit 7 |       |       |       |       |       | bit 0 |       |

**Legend:**

|                   |                  |                                              |
|-------------------|------------------|----------------------------------------------|
| R = Readable bit  | W = Writable bit | U = Unimplemented bit, read as '0'           |
| -n = Value at POR | '1' = Bit is set | '0' = Bit is cleared      x = Bit is unknown |

- bit 15      **UOWN:** USB Own bit  
0 = The microcontroller core owns the BD and its corresponding buffer. The USB module ignores all other fields in the BD.
- bit 14      **DTS:** Data Toggle Packet bit<sup>(1)</sup>  
1 = Data 1 packet  
0 = Data 0 packet
- bit 13-12   **Reserved Function:** Maintain as '0'
- bit 11      **DTSEN:** Data Toggle Synchronization Enable bit  
1 = Data toggle synchronization is enabled; data packets with incorrect sync value will be ignored  
0 = No data toggle synchronization is performed
- bit 10      **BSTALL:** Buffer Stall Enable bit  
1 = Buffer STALL enabled; STALL handshake issued if a token is received that would use the BD in the given location (UOWN bit remains set, BD value is unchanged); corresponding EPSTALL bit will get set on any STALL handshake  
0 = Buffer STALL disabled
- bit 9-0     **BC<9:0>:** Byte Count bits  
This represents the number of bytes to be transmitted or the maximum number of bytes to be received during a transfer. Upon completion, the byte count is updated by the USB module with the actual number of bytes transmitted or received.

**Note 1:** This bit is ignored unless DTSEN = 1.

# PIC24FJ64GB004 FAMILY

## 18.3 USB Interrupts

The USB OTG module has many conditions that can be configured to cause an interrupt. All interrupt sources use the same interrupt vector.

Figure 18-9 shows the interrupt logic for the USB module. There are two layers of interrupt registers in the USB module. The top level consists of overall USB status interrupts; these are enabled and flagged in the U1IE and U1IR registers, respectively. The second

level consists of USB error conditions, which are enabled and flagged in the U1EIR and U1EIE registers. An interrupt condition in any of these triggers a USB Error Interrupt Flag (UERRIF) in the top level.

Interrupts may be used to trap routine events in a USB transaction. Figure 18-10 provides some common events within a USB frame and their corresponding interrupts.

**FIGURE 18-9: USB OTG INTERRUPT FUNNEL**



# PIC24FJ64GB004 FAMILY

## 18.3.1 CLEARING USB OTG INTERRUPTS

Unlike device level interrupts, the USB OTG interrupt status flags are not freely writable in software. All USB OTG flag bits are implemented as hardware set only bits. Additionally, these bits can only be cleared in

software by writing a '1' to their locations (i.e., performing a MOV type instruction). Writing a '0' to a flag bit (i.e., a BCLR instruction) has no effect.

**Note:** Throughout this data sheet, a bit that can only be cleared by writing a '1' to its location is referred to as "Write '1' to clear". In register descriptions, this function is indicated by the descriptor "K".

**FIGURE 18-10: EXAMPLE OF A USB TRANSACTION AND INTERRUPT EVENTS**



## 18.4 Device Mode Operation

The following section describes how to perform a common Device mode task. In Device mode, USB transfers are performed at the transfer level. The USB module automatically performs the status phase of the transfer.

### 18.4.1 ENABLING DEVICE MODE

1. Reset the Ping-Pong Buffer Pointers by setting, then clearing, the Ping-Pong Buffer Reset bit PPBRST (U1CON<1>).
2. Disable all interrupts (U1IE and U1EIE = 00h).
3. Clear any existing interrupt flags by writing FFh to U1IR and U1EIR.
4. Verify that VBUS is present (non OTG devices only).

5. Enable the USB module by setting the USBEN bit (U1CON<0>).
6. Set the OTGEN bit (U1OTGCON<2>) to enable OTG operation.
7. Enable the endpoint zero buffer to receive the first setup packet by setting the EPRXEN and EPHSHK bits for Endpoint 0 (U1EP0<3,0> = 1).
8. Power up the USB module by setting the USBPWR bit (U1PWRC<0>).
9. Enable the D+ pull-up resistor to signal an attach by setting DPPULUP (U1OTGCON<7>).

# PIC24FJ64GB004 FAMILY

---

## 18.4.2 RECEIVING AN IN TOKEN IN DEVICE MODE

1. Attach to a USB host and enumerate as described in Chapter 9 of the USB 2.0 specification.
2. Create a data buffer, and populate it with the data to send to the host.
3. In the appropriate (EVEN or ODD) Tx BD for the desired endpoint:
  - a) Set up the status register (BDnSTAT) with the correct data toggle (DATA0/1) value and the byte count of the data buffer.
  - b) Set up the address register (BDnADR) with the starting address of the data buffer.
  - c) Set the UOWN bit of the status register to '1'.
4. When the USB module receives an IN token, it automatically transmits the data in the buffer. Upon completion, the module updates the status register (BDnSTAT) and sets the Transfer Complete Interrupt Flag, TRNIF (U1IR<3>).

## 18.4.3 RECEIVING AN OUT TOKEN IN DEVICE MODE

1. Attach to a USB host and enumerate as described in Chapter 9 of the USB 2.0 specification.
2. Create a data buffer with the amount of data you are expecting from the host.
3. In the appropriate (EVEN or ODD) Tx BD for the desired endpoint:
  - a) Set up the status register (BDnSTAT) with the correct data toggle (DATA0/1) value and the byte count of the data buffer.
  - b) Set up the address register (BDnADR) with the starting address of the data buffer.
  - c) Set the UOWN bit of the status register to '1'.
4. When the USB module receives an OUT token, it automatically receives the data sent by the host to the buffer. Upon completion, the module updates the status register (BDnSTAT) and sets the Transfer Complete Interrupt Flag, TRNIF (U1IR<3>).

## 18.5 Host Mode Operation

The following sections describe how to perform common Host mode tasks. In Host mode, USB transfers are invoked explicitly by the host software. The host software is responsible for the Acknowledge portion of the transfer. Also, all transfers are performed using the Endpoint 0 control register (U1EP0) and buffer descriptors.

### 18.5.1 ENABLE HOST MODE AND DISCOVER A CONNECTED DEVICE

1. Enable Host mode by setting the HOSTEN bit (U1CON<3>). This causes the Host mode control bits in other USB OTG registers to become available.
2. Enable the D+ and D- pull-down resistors by setting DPPULDWN and DMPULDWN (U1OTGCON<5:4>). Disable the D+ and D-pull-up resistors by clearing DPPULUP and DMPULUP (U1OTGCON<7:6>).
3. At this point, SOF generation begins with the SOF counter loaded with 12,000. Eliminate noise on the USB by clearing the SOFEN bit (U1CON<0>) to disable Start-of-Frame packet generation.
4. Enable the device attached interrupt by setting ATTACHIE (U1IE<6>).
5. Wait for the device attached interrupt (U1IR<6> = 1). This is signaled by the USB device changing the state of D+ or D- from '0' to '1' (SE0 to J state). After it occurs, wait 100 ms for the device power to stabilize.
6. Check the state of the JSTATE and SE0 bits in U1CON. If the JSTATE bit (U1CON<7>) is '0', the connecting device is low speed. If the connecting device is low speed, set the low LSPDEN and LSPD bits (U1ADDR<7> and U1EP0<7>) to enable low-speed operation.
7. Reset the USB device by setting the USBRST bit (U1CON<4>) for at least 50 ms, sending Reset signaling on the bus. After 50 ms, terminate the Reset by clearing USBRST.
8. To keep the connected device from going into suspend, enable SOF packet generation to keep by setting the SOFEN bit.
9. Wait 10 ms for the device to recover from Reset.
10. Perform enumeration as described by Chapter 9 of the USB 2.0 specification.



# PIC24FJ64GB004 FAMILY

## 18.5.2 COMPLETE A CONTROL TRANSACTION TO A CONNECTED DEVICE

1. Follow the procedure described in **Section 18.5.1 “Enable Host Mode and Discover a Connected Device”** to discover a device.
2. Set up the Endpoint Control register for bidirectional control transfers by writing 0Dh to U1EP0 (this sets the EPCONDIS, EPTXEN, and EPHSHK bits).
3. Place a copy of the device framework setup command in a memory buffer. See Chapter 9 of the USB 2.0 specification for information on the device framework command set.
4. Initialize the buffer descriptor (BD) for the current (EVEN or ODD) Tx EP0, to transfer the eight bytes of command data for a device framework command (i.e., a GET DEVICE DESCRIPTOR):
  - a) Set the BD data buffer address (BD0ADR) to the starting address of the 8-byte memory buffer containing the command.
  - b) Write 8008h to BD0STAT (this sets the UOWN bit, and sets a byte count of 8).
5. Set the USB device address of the target device in the address register (U1ADDR<6:0>). After a USB bus Reset, the device USB address will be zero. After enumeration, it will be set to another value between 1 and 127.
6. Write D0h to U1TOK; this is a SETUP token to Endpoint 0, the target device's default control pipe. This initiates a SETUP token on the bus, followed by a data packet. The device handshake is returned in the PID field of BD0STAT after the packets are complete. When the USB module updates BD0STAT, a transfer done interrupt is asserted (the TRNIF flag is set). This completes the setup phase of the setup transaction as referenced in Chapter 9 of the USB specification.
7. To initiate the data phase of the setup transaction (i.e., get the data for the GET DEVICE DESCRIPTOR command), set up a buffer in memory to store the received data.
8. Initialize the current (EVEN or ODD) Rx or Tx (Rx for IN, Tx for OUT) EP0 BD to transfer the data:
  - a) Write C040h to BD0STAT. This sets the UOWN, configures Data Toggle (DTS) to DATA1, and sets the byte count to the length of the data buffer (64 or 40h, in this case).
  - b) Set BD0ADR to the starting address of the data buffer.
9. Write the token register with the appropriate IN or OUT token to Endpoint 0, the target device's default control pipe (e.g., write 90h to U1TOK for an IN token for a GET DEVICE DESCRIPTOR command). This initiates an IN token on the bus followed by a data packet from the device to the host. When the data packet completes, the BD0STAT is written and a transfer done interrupt is asserted (the TRNIF flag is set). For control transfers with a single packet data phase, this completes the data phase of the setup transaction as referenced in Chapter 9 of the USB specification. If more data needs to be transferred, return to step 8.
10. To initiate the status phase of the setup transaction, set up a buffer in memory to receive or send the zero length status phase data packet.
11. Initialize the current (even or odd) Tx EP0 BD to transfer the status data:
  - a) Set the BDT buffer address field to the start address of the data buffer
  - b) Write 8000h to BD0STAT (set UOWN bit, configure DTS to DATA0, and set byte count to 0).
12. Write the Token register with the appropriate IN or OUT token to Endpoint 0, the target device's default control pipe (e.g., write 01h to U1TOK for an OUT token for a GET DEVICE DESCRIPTOR command). This initiates an OUT token on the bus followed by a zero length data packet from the host to the device. When the data packet completes, the BD is updated with the handshake from the device, and a transfer done interrupt is asserted (the TRNIF flag is set). This completes the status phase of the setup transaction as described in Chapter 9 of the USB specification.

**Note:** Only one control transaction can be performed per frame.

# PIC24FJ64GB004 FAMILY

## 18.5.3 SEND A FULL-SPEED BULK DATA TRANSFER TO A TARGET DEVICE

1. Follow the procedure described in **Section 18.5.1 “Enable Host Mode and Discover a Connected Device”** and **Section 18.5.2 “Complete a Control Transaction to a Connected Device”** to discover and configure a device.
2. To enable transmit and receive transfers with handshaking enabled, write 1Dh to U1EP0. If the target device is a low-speed device, also set the LSPD bit (U1EP0<7>). If you want the hardware to automatically retry indefinitely if the target device asserts a NAK on the transfer, clear the Retry Disable bit, RETRYDIS (U1EP0<6>).
3. Set up the BD for the current (EVEN or ODD) Tx EP0 to transfer up to 64 bytes.
4. Set the USB device address of the target device in the address register (U1ADDR<6:0>).
5. Write an OUT token to the desired endpoint to U1TOK. This triggers the module's transmit state machines to begin transmitting the token and the data.
6. Wait for the Transfer Done Interrupt Flag, TRNIF. This indicates that the BD has been released back to the microprocessor, and the transfer has completed. If the retry disable bit is set, the handshake (ACK, NAK, STALL or ERROR (0Fh)) is returned in the BD PID field. If a STALL interrupt occurs, the pending packet must be dequeued and the error condition in the target device cleared. If a detach interrupt occurs (SE0 for more than 2.5  $\mu$ s), then the target has detached (U1IR<0> is set).
7. Once the transfer done interrupt occurs (TRNIF is set), the BD can be examined and the next data packet queued by returning to step 2.

**Note:** USB speed, transceiver and pull-ups should only be configured during the module setup phase. It is not recommended to change these settings while the module is enabled.

## 18.6 OTG Operation

### 18.6.1 SESSION REQUEST PROTOCOL (SRP)

An OTG A-device may decide to power down the VBUS supply when it is not using the USB link through the Session Request Protocol (SRP). Software may do this by clearing VBUSON (U1OTGCON<3>). When the VBUS supply is powered down, the A-device is said to have ended a USB session.

An OTG A-device or Embedded Host may re-power the VBUS supply at any time (initiate a new session). An OTG B-device may also request that the OTG A-device re-power the VBUS supply (initiate a new session). This is accomplished via Session Request Protocol (SRP).

Prior to requesting a new session, the B-device must first check that the previous session has definitely ended. To do this, the B-device must check for two conditions:

1. VBUS supply is below the Session Valid voltage, and
2. Both D+ and D- have been low for at least 2 ms.

The B-device will be notified of condition 1 by the SESENDIF (U1OTGIR<2>) interrupt. Software will have to manually check for condition 2.

**Note:** When the A-device powers down the VBUS supply, the B-device must disconnect its pull-up resistor from power. If the device is self-powered, it can do this by clearing DPPULUP (U1OTGCON<7>) and DMPULUP (U1OTGCON<6>).

The B-device may aid in achieving condition 1 by discharging the VBUS supply through a resistor. Software may do this by setting VBUSDIS (U1OTGCON<0>).

After these initial conditions are met, the B-device may begin requesting the new session. The B-device begins by pulsing the D+ data line. Software should do this by setting DPPULUP (U1OTGCON<7>). The data line should be held high for 5 to 10 ms.

# PIC24FJ64GB004 FAMILY

The B-device then proceeds by pulsing the VBUS supply. Software should do this by setting PUVBUS (U1CNFG2<4>). When an A-device detects SRP signaling (either via the ATTACHIF (U1IR<6>) interrupt or via the SESVDIF (U1OTGIR<3>) interrupt), the A-device must restore the VBUS supply by either setting VBUSON (U1OTGCON<3>), or by setting the I/O port controlling the external power source.

The B-device should not monitor the state of the VBUS supply while performing VBUS supply pulsing. When the B-device does detect that the VBUS supply has been restored (via the SESVDIF (U1OTGIR<3>) interrupt), the B-device must re-connect to the USB link by pulling up D+ or D- (via the DPPULUP or DMPULUP).

The A-device must complete the SRP by driving USB Reset signaling.

## 18.6.2 HOST NEGOTIATION PROTOCOL (HNP)

In USB OTG applications, a Dual Role Device (DRD) is a device that is capable of being either a host or a peripheral. Any OTG DRD must support Host Negotiation Protocol (HNP).

HNP allows an OTG B-device to temporarily become the USB host. The A-device must first enable the B-device to follow HNP. Refer to the *On-The-Go Supplement to the USB 2.0 Specification* for more information regarding HNP. HNP may only be initiated at full speed.

After being enabled for HNP by the A-device, the B-device requests being the host any time that the USB link is in Suspend state, by simply indicating a disconnect. This can be done in software by clearing

DPPULUP and DMPULUP. When the A-device detects the disconnect condition (via the URSTIF (U1IR<0>) interrupt), the A-device may allow the B-device to take over as Host. The A-device does this by signaling connect as a full-speed function. Software may accomplish this by setting DPPULUP.

If the A-device responds instead with resume signaling, the A-device remains as host. When the B-device detects the connect condition (via ATTACHIF (U1IR<6>)), the B-device becomes host. The B-device drives Reset signaling prior to using the bus.

When the B-device has finished in its role as Host, it stops all bus activity and turns on its D+ pull-up resistor by setting DPPULUP. When the A-device detects a suspend condition (Idle for 3 ms), the A-device turns off its D+ pull-up. The A-device may also power-down VBUS supply to end the session. When the A-device detects the connect condition (via ATTACHIF), the A-device resumes host operation, and drives Reset signaling.

## 18.6.3 EXTERNAL VBUS COMPARATORS

The external VBUS comparator option is enabled by setting the UVCMPDIS bit (U1CNFG2<1>). This disables the internal VBUS comparators, removing the need to attach VBUS to the microcontroller's VBUS pin.

The external comparator interface uses either the VCOMPST1 and VCOMPST2 pins, or the VBUSVLD, SESSVLD and SESSEND pins, based upon the setting of the UVCMPSEL bit (U1CNFG2<5>). These pins are digital inputs and should be set in the following patterns (see Table 18-3), based on the current level of the VBUS voltage.

**TABLE 18-3: EXTERNAL VBUS COMPARATOR STATES**

| If UVCMPSEL = 0 |          |                                  |                                  |
|-----------------|----------|----------------------------------|----------------------------------|
| VCOMPST1        | VCOMPST2 | Bus Condition                    |                                  |
| 0               | 0        | VBUS < VB_SESS_END               |                                  |
| 1               | 0        | VB_SESS_END < VBUS < VA_SESS_VLD |                                  |
| 0               | 1        | VA_SESS_VLD < VBUS < VA_VBUS_VLD |                                  |
| 1               | 1        | VBUS > VVBUS_VLD                 |                                  |
| If UVCMPSEL = 1 |          |                                  |                                  |
| VBUSVLD         | SESSVLD  | SESSEND                          | Bus Condition                    |
| 0               | 0        | 1                                | VBUS < VB_SESS_END               |
| 0               | 0        | 0                                | VB_SESS_END < VBUS < VA_SESS_VLD |
| 0               | 1        | 0                                | VA_SESS_VLD < VBUS < VA_VBUS_VLD |
| 1               | 1        | 0                                | VBUS > VVBUS_VLD                 |

# PIC24FJ64GB004 FAMILY

---

## 18.7 USB OTG Module Registers

There are a total of 37 memory mapped registers associated with the USB OTG module. They can be divided into four general categories:

- USB OTG Module Control (12)
- USB Interrupt (7)
- USB Endpoint Management (16)
- USB VBus Power Control (2)

This total does not include the (up to) 128 BD registers in the BDT. Their prototypes, described in Register 18-1 and Register 18-2, are shown separately in **Section 18.2 “USB Buffer Descriptors and the BDT”**.

With the exception U1PWMCON and U1PWMRRS, all USB OTG registers are implemented in the Least Significant Byte of the register. Bits in the upper byte are unimplemented, and have no function. Note that some registers are instantiated only in Host mode, while other registers have different bit instantiations and functions in Device and Host modes.

Registers described in the following sections are those that have bits with specific control and configuration features. The following registers are used for data or address values only:

- U1BDTP1: Specifies the 256-word page in data RAM used for the BDT; 8-bit value with bit 0 fixed as '0' for boundary alignment
- U1FRML and U1FRMH: Contains the 11-bit byte counter for the current data frame
- U1PWMRRS: Contains the 8-bit value for PWM duty cycle (bits<15:8>) and PWM period (bits<7:0>) for the VBUS boost assist PWM module.

# PIC24FJ64GB004 FAMILY

## 18.7.1 USB OTG MODULE CONTROL REGISTERS

**REGISTER 18-3: U1OTGSTAT: USB OTG STATUS REGISTER (HOST MODE ONLY)**

|        |     |     |     |     |     |       |     |
|--------|-----|-----|-----|-----|-----|-------|-----|
| U-0    | U-0 | U-0 | U-0 | U-0 | U-0 | U-0   | U-0 |
| —      | —   | —   | —   | —   | —   | —     | —   |
| bit 15 |     |     |     |     |     | bit 8 |     |

|          |     |          |     |          |          |       |          |
|----------|-----|----------|-----|----------|----------|-------|----------|
| R-0, HSC | U-0 | R-0, HSC | U-0 | R-0, HSC | R-0, HSC | U-0   | R-0, HSC |
| ID       | —   | LSTATE   | —   | SESVD    | SESEND   | —     | VBUSVD   |
| bit 7    |     |          |     |          |          | bit 0 |          |

|                   |                                    |                                       |                    |
|-------------------|------------------------------------|---------------------------------------|--------------------|
| <b>Legend:</b>    | U = Unimplemented bit, read as '0' |                                       |                    |
| R = Readable bit  | W = Writable bit                   | HSC = Hardware Settable/Clearable bit |                    |
| -n = Value at POR | '1' = Bit is set                   | '0' = Bit is cleared                  | x = Bit is unknown |

bit 15-8 **Unimplemented:** Read as '0'

bit 7 **ID:** ID Pin State Indicator bit

- 1 = No plug is attached, or a type B cable has been plugged into the USB receptacle
- 0 = A type A plug has been plugged into the USB receptacle

bit 6 **Unimplemented:** Read as '0'

bit 5 **LSTATE:** Line State Stable Indicator bit

- 1 = The USB line state (as defined by SE0 and JSTATE) has been stable for the previous 1 ms
- 0 = The USB line state has NOT been stable for the previous 1 ms

bit 4 **Unimplemented:** Read as '0'

bit 3 **SESVD:** Session Valid Indicator bit

- 1 = The VBUS voltage is above VA\_SESS\_VLD (as defined in the USB OTG Specification) on the A or B-device
- 0 = The VBUS voltage is below VA\_SESS\_VLD on the A or B-device

bit 2 **SESEND:** B-Session End Indicator bit

- 1 = The VBUS voltage is below VB\_SESS\_END (as defined in the USB OTG Specification) on the B-device
- 0 = The VBUS voltage is above VB\_SESS\_END on the B-device

bit 1 **Unimplemented:** Read as '0'

bit 0 **VBUSVD:** A-VBUS Valid Indicator bit

- 1 = The VBUS voltage is above VA\_VBUS\_VLD (as defined in the USB OTG Specification) on the A-device
- 0 = The VBUS voltage is below VA\_VBUS\_VLD on the A-device

# PIC24FJ64GB004 FAMILY

**REGISTER 18-4: U1OTGCON: USB ON-THE-GO CONTROL REGISTER**

|        |     |     |     |     |     |     |       |
|--------|-----|-----|-----|-----|-----|-----|-------|
| U-0    | U-0 | U-0 | U-0 | U-0 | U-0 | U-0 | U-0   |
| —      | —   | —   | —   | —   | —   | —   | —     |
| bit 15 |     |     |     |     |     |     | bit 8 |

|         |         |                         |                         |                       |                      |                        |                        |
|---------|---------|-------------------------|-------------------------|-----------------------|----------------------|------------------------|------------------------|
| R/W-0   | R/W-0   | R/W-0                   | R/W-0                   | R/W-0                 | R/W-0                | R/W-0                  | R/W-0                  |
| DPPULUP | DMPULUP | DPPULDWN <sup>(1)</sup> | DMPULDWN <sup>(1)</sup> | VBUSON <sup>(1)</sup> | OTGEN <sup>(1)</sup> | VBUSCHG <sup>(1)</sup> | VBUSDIS <sup>(1)</sup> |
| bit 7   |         |                         |                         |                       |                      |                        | bit 0                  |

**Legend:**

R = Readable bit                      W = Writable bit                      U = Unimplemented bit, read as '0'  
 -n = Value at POR                      '1' = Bit is set                      '0' = Bit is cleared                      x = Bit is unknown

- bit 15-8      **Unimplemented:** Read as '0'
- bit 7      **DPPULUP:** D+ Pull-Up Enable bit  
             1 = D+ data line pull-up resistor is enabled  
             0 = D+ data line pull-up resistor is disabled
- bit 6      **DMPULUP:** D- Pull-Up Enable bit  
             1 = D- data line pull-up resistor is enabled  
             0 = D- data line pull-up resistor is disabled
- bit 5      **DPPULDWN:** D+ Pull-Down Enable bit<sup>(1)</sup>  
             1 = D+ data line pull-down resistor is enabled  
             0 = D+ data line pull-down resistor is disabled
- bit 4      **DMPULDWN:** D- Pull-Down Enable bit<sup>(1)</sup>  
             1 = D- data line pull-down resistor is enabled  
             0 = D- data line pull-down resistor is disabled
- bit 3      **VBUSON:** VBUS Power-on bit<sup>(1)</sup>  
             1 = VBUS line is powered  
             0 = VBUS line is not powered
- bit 2      **OTGEN:** OTG Features Enable bit<sup>(1)</sup>  
             1 = USB OTG is enabled; all D+/D- pull-ups and pull-downs bits are enabled  
             0 = USB OTG is disabled; D+/D- pull-ups and pull-downs are controlled in hardware by the settings of the HOSTEN and USBEN bits (U1CON<3,0>)
- bit 1      **VBUSCHG:** VBUS Charge Select bit<sup>(1)</sup>  
             1 = VBUS line is set to charge to 3.3V  
             0 = VBUS line is set to charge to 5V
- bit 0      **VBUSDIS:** VBUS Discharge Enable bit<sup>(1)</sup>  
             1 = VBUS line is discharged through a resistor  
             0 = VBUS line is not discharged

**Note 1:** These bits are only used in Host mode; do not use in Device mode.

# PIC24FJ64GB004 FAMILY

## REGISTER 18-5: U1PWRC: USB POWER CONTROL REGISTER

|        |     |     |     |     |     |     |       |
|--------|-----|-----|-----|-----|-----|-----|-------|
| U-0    | U-0 | U-0 | U-0 | U-0 | U-0 | U-0 | U-0   |
| —      | —   | —   | —   | —   | —   | —   | —     |
| bit 15 |     |     |     |     |     |     | bit 8 |

|           |     |     |         |     |     |           |        |
|-----------|-----|-----|---------|-----|-----|-----------|--------|
| R/W-0, HS | U-0 | U-0 | R/W-0   | U-0 | U-0 | R/W-0, HC | R/W-0  |
| UACTPND   | —   | —   | USLPGRD | —   | —   | USUSPND   | USBPWR |
| bit 7     |     |     |         |     |     |           | bit 0  |

|                   |                            |                                    |
|-------------------|----------------------------|------------------------------------|
| <b>Legend:</b>    | HS = Hardware Settable bit | HC = Hardware Clearable bit        |
| R = Readable bit  | W = Writable bit           | U = Unimplemented bit, read as '0' |
| -n = Value at POR | '1' = Bit is set           | '0' = Bit is cleared               |
|                   |                            | x = Bit is unknown                 |

bit 15-8 **Unimplemented:** Read as '0'

bit 7 **UACTPND:** USB Activity Pending bit

1 = Module should not be suspended at the moment (requires USLPGRD bit to be set)

0 = Module may be suspended or powered down

bit 6-5 **Unimplemented:** Read as '0'

bit 4 **USLPGRD:** Sleep/Suspend Guard bit

1 = Indicate to the USB module that it is about to be suspended or powered down

0 = No suspend

bit 3-2 **Unimplemented:** Read as '0'

bit 1 **USUSPND:** USB Suspend Mode Enable bit

1 = USB OTG module is in Suspend mode; USB clock is gated and the transceiver is placed in a low-power state

0 = Normal USB OTG operation

bit 0 **USBPWR:** USB Operation Enable bit

1 = USB OTG module is enabled

0 = USB OTG module is disabled<sup>(1)</sup>

**Note 1:** Do not clear this bit unless the HOSTEN, USBEN and OTGEN bits (U1CON<3,0> and U1OTGCON<2>) are all cleared.

# PIC24FJ64GB004 FAMILY

## REGISTER 18-6: U1STAT: USB STATUS REGISTER

|        |     |     |     |     |     |     |       |
|--------|-----|-----|-----|-----|-----|-----|-------|
| U-0    | U-0 | U-0 | U-0 | U-0 | U-0 | U-0 | U-0   |
| —      | —   | —   | —   | —   | —   | —   | —     |
| bit 15 |     |     |     |     |     |     | bit 8 |

|          |          |          |          |          |                     |     |       |
|----------|----------|----------|----------|----------|---------------------|-----|-------|
| R-0, HSC | R-0, HSC | R-0, HSC | R-0, HSC | R-0, HSC | R-0, HSC            | U-0 | U-0   |
| ENDPT3   | ENDPT2   | ENDPT1   | ENDPT0   | DIR      | PPBI <sup>(1)</sup> | —   | —     |
| bit 7    |          |          |          |          |                     |     | bit 0 |

|                   |                                    |                                       |                    |
|-------------------|------------------------------------|---------------------------------------|--------------------|
| <b>Legend:</b>    | U = Unimplemented bit, read as '0' |                                       |                    |
| R = Readable bit  | W = Writable bit                   | HSC = Hardware Settable/Clearable bit |                    |
| -n = Value at POR | '1' = Bit is set                   | '0' = Bit is cleared                  | x = Bit is unknown |

bit 15-8 **Unimplemented:** Read as '0'

bit 7-4 **ENDPT<3:0>:** Number of the Last Endpoint Activity bits  
(Represents the number of the BDT updated by the last USB transfer).

1111 = Endpoint 15

1110 = Endpoint 14

....

0001 = Endpoint 1

0000 = Endpoint 0

bit 3 **DIR:** Last BD Direction Indicator bit

1 = The last transaction was a transmit transfer (Tx)

0 = The last transaction was a receive transfer (Rx)

bit 2 **PPBI:** Ping-Pong BD Pointer Indicator bit<sup>(1)</sup>

1 = The last transaction was to the ODD BD bank

0 = The last transaction was to the EVEN BD bank

bit 1-0 **Unimplemented:** Read as '0'

**Note 1:** This bit is only valid for endpoints with available EVEN and ODD BD registers.



# PIC24FJ64GB004 FAMILY

**REGISTER 18-7: U1CON: USB CONTROL REGISTER (DEVICE MODE)**

|        |     |     |     |     |     |       |     |
|--------|-----|-----|-----|-----|-----|-------|-----|
| U-0    | U-0 | U-0 | U-0 | U-0 | U-0 | U-0   | U-0 |
| —      | —   | —   | —   | —   | —   | —     | —   |
| bit 15 |     |     |     |     |     | bit 8 |     |

|       |          |        |     |        |        |        |       |
|-------|----------|--------|-----|--------|--------|--------|-------|
| U-0   | R-x, HSC | R/W-0  | U-0 | R/W-0  | R/W-0  | R/W-0  | R/W-0 |
| —     | SE0      | PKTDIS | —   | HOSTEN | RESUME | PPBRST | USBEN |
| bit 7 |          |        |     |        |        | bit 0  |       |

|                   |                                       |
|-------------------|---------------------------------------|
| <b>Legend:</b>    | U = Unimplemented bit, read as '0'    |
| R = Readable bit  | W = Writable bit                      |
| -n = Value at POR | '1' = Bit is set                      |
|                   | HSC = Hardware Settable/Clearable bit |
|                   | '0' = Bit is cleared                  |
|                   | x = Bit is unknown                    |

- bit 15-7     **Unimplemented:** Read as '0'
- bit 6       **SE0:** Live Single-Ended Zero Flag bit
  - 1 = Single-ended zero is active on the USB bus
  - 0 = No single-ended zero is detected
- bit 5       **PKTDIS:** Packet Transfer Disable bit
  - 1 = SIE token and packet processing are disabled; automatically set when a SETUP token is received
  - 0 = SIE token and packet processing are enabled
- bit 4       **Unimplemented:** Read as '0'
- bit 3       **HOSTEN:** Host Mode Enable bit
  - 1 = USB host capability is enabled; pull-downs on D+ and D- are activated in hardware
  - 0 = USB host capability is disabled
- bit 2       **RESUME:** Resume Signaling Enable bit
  - 1 = Resume signaling is activated
  - 0 = Resume signaling is disabled
- bit 1       **PPBRST:** Ping-Pong Buffers Reset bit
  - 1 = Reset all Ping-Pong Buffer Pointers to the EVEN BD banks
  - 0 = Ping-Pong Buffer Pointers are not reset
- bit 0       **USBEN:** USB Module Enable bit
  - 1 = USB module and supporting circuitry are enabled (device attached); D+ pull-up is activated in hardware
  - 0 = USB module and supporting circuitry are disabled (device detached)

# PIC24FJ64GB004 FAMILY

## REGISTER 18-8: U1CON: USB CONTROL REGISTER (HOST MODE ONLY)

|        |     |     |     |     |     |     |       |
|--------|-----|-----|-----|-----|-----|-----|-------|
| U-0    | U-0 | U-0 | U-0 | U-0 | U-0 | U-0 | U-0   |
| —      | —   | —   | —   | —   | —   | —   | —     |
| bit 15 |     |     |     |     |     |     | bit 8 |

|          |          |         |        |        |        |        |       |
|----------|----------|---------|--------|--------|--------|--------|-------|
| R-x, HSC | R-x, HSC | R/W-0   | R/W-0  | R/W-0  | R/W-0  | R/W-0  | R/W-0 |
| JSTATE   | SE0      | TOKBUSY | USBRST | HOSTEN | RESUME | PPBRST | SOFEN |
| bit 7    |          |         |        |        |        |        | bit 0 |

|                   |                                    |                                       |                    |
|-------------------|------------------------------------|---------------------------------------|--------------------|
| <b>Legend:</b>    | U = Unimplemented bit, read as '0' |                                       |                    |
| R = Readable bit  | W = Writable bit                   | HSC = Hardware Settable/Clearable bit |                    |
| -n = Value at POR | '1' = Bit is set                   | '0' = Bit is cleared                  | x = Bit is unknown |

- bit 15-8      **Unimplemented:** Read as '0'
- bit 7      **JSTATE:** Live Differential Receiver J State Flag bit  
 1 = J state (differential '0' in low speed, differential '1' in full speed) is detected on the USB  
 0 = No J state was detected
- bit 6      **SE0:** Live Single-Ended Zero Flag bit  
 1 = Single-ended zero is active on the USB bus  
 0 = No single-ended zero is detected
- bit 5      **TOKBUSY:** Token Busy Status bit  
 1 = Token is being executed by the USB module in On-The-Go state  
 0 = No token is being executed
- bit 4      **USBRST:** Module Reset bit  
 1 = USB Reset has been generated; for software Reset, application must set this bit for 50 ms, then clear it  
 0 = USB Reset is terminated
- bit 3      **HOSTEN:** Host Mode Enable bit  
 1 = USB host capability is enabled; pull-downs on D+ and D- are activated in hardware  
 0 = USB host capability is disabled
- bit 2      **RESUME:** Resume Signaling Enable bit  
 1 = Resume signaling activated; software must set bit for 10 ms and then clear to enable remote wake-up  
 0 = Resume signaling disabled
- bit 1      **PPBRST:** Ping-Pong Buffers Reset bit  
 1 = Reset all Ping-Pong Buffer Pointers to the EVEN BD banks  
 0 = Ping-Pong Buffer Pointers are not reset
- bit 0      **SOFEN:** Start-of-Frame Enable bit  
 1 = Start-of-Frame token is sent every one 1 millisecond  
 0 = Start-of-Frame token is disabled

# PIC24FJ64GB004 FAMILY

## REGISTER 18-9: U1ADDR: USB ADDRESS REGISTER

|        |     |     |     |     |     |     |       |
|--------|-----|-----|-----|-----|-----|-----|-------|
| U-0    | U-0 | U-0 | U-0 | U-0 | U-0 | U-0 | U-0   |
| —      | —   | —   | —   | —   | —   | —   | —     |
| bit 15 |     |     |     |     |     |     | bit 8 |

|                       |       |       |       |       |       |       |       |
|-----------------------|-------|-------|-------|-------|-------|-------|-------|
| R/W-0                 | R/W-0 | R/W-0 | R/W-0 | R/W-0 | R/W-0 | R/W-0 | R/W-0 |
| LSPDEN <sup>(1)</sup> | ADDR6 | ADDR5 | ADDR4 | ADDR3 | ADDR2 | ADDR1 | ADDR0 |
| bit 7                 |       |       |       |       |       |       | bit 0 |

### Legend:

R = Readable bit                      W = Writable bit                      U = Unimplemented bit, read as '0'  
 -n = Value at POR                      '1' = Bit is set                      '0' = Bit is cleared                      x = Bit is unknown

bit 15-8            **Unimplemented:** Read as '0'  
 bit 7                **LSPDEN:** Low-Speed Enable Indicator bit<sup>(1)</sup>  
                           1 = USB module operates at low speed  
                           0 = USB module operates at full speed  
 bit 6-0            **ADDR<6:0>:** USB Device Address bits

**Note 1:** Host mode only. In Device mode, this bit is unimplemented and read as '0'.

## REGISTER 18-10: U1TOK: USB TOKEN REGISTER (HOST MODE ONLY)

|        |     |     |     |     |     |     |       |
|--------|-----|-----|-----|-----|-----|-----|-------|
| U-0    | U-0 | U-0 | U-0 | U-0 | U-0 | U-0 | U-0   |
| —      | —   | —   | —   | —   | —   | —   | —     |
| bit 15 |     |     |     |     |     |     | bit 8 |

|       |       |       |       |       |       |       |       |
|-------|-------|-------|-------|-------|-------|-------|-------|
| R/W-0 | R/W-0 | R/W-0 | R/W-0 | R/W-0 | R/W-0 | R/W-0 | R/W-0 |
| PID3  | PID2  | PID1  | PID0  | EP3   | EP2   | EP1   | EP0   |
| bit 7 |       |       |       |       |       |       | bit 0 |

### Legend:

R = Readable bit                      W = Writable bit                      U = Unimplemented bit, read as '0'  
 -n = Value at POR                      '1' = Bit is set                      '0' = Bit is cleared                      x = Bit is unknown

bit 15-8            **Unimplemented:** Read as '0'  
 bit 7-4            **PID<3:0>:** Token Type Identifier bits  
                           1101 = SETUP (TX) token type transaction<sup>(1)</sup>  
                           1001 = IN (RX) token type transaction<sup>(1)</sup>  
                           0001 = OUT (TX) token type transaction<sup>(1)</sup>  
 bit 3-0            **EP<3:0>:** Token Command Endpoint Address bits  
                           This value must specify a valid endpoint on the attached device.

**Note 1:** All other combinations are reserved and are not to be used.

# PIC24FJ64GB004 FAMILY

## REGISTER 18-11: U1SOF: USB OTG START-OF-TOKEN THRESHOLD REGISTER (HOST MODE ONLY)

|        |     |     |     |     |     |     |       |
|--------|-----|-----|-----|-----|-----|-----|-------|
| U-0    | U-0 | U-0 | U-0 | U-0 | U-0 | U-0 | U-0   |
| —      | —   | —   | —   | —   | —   | —   | —     |
| bit 15 |     |     |     |     |     |     | bit 8 |

|       |       |       |       |       |       |       |       |
|-------|-------|-------|-------|-------|-------|-------|-------|
| R/W-0 | R/W-0 | R/W-0 | R/W-0 | R/W-0 | R/W-0 | R/W-0 | R/W-0 |
| CNT7  | CNT6  | CNT5  | CNT4  | CNT3  | CNT2  | CNT1  | CNT0  |
| bit 7 |       |       |       |       |       |       | bit 0 |

### Legend:

R = Readable bit                      W = Writable bit                      U = Unimplemented bit, read as '0'  
 -n = Value at POR                      '1' = Bit is set                      '0' = Bit is cleared                      x = Bit is unknown

bit 15-8            **Unimplemented:** Read as '0'  
 bit 7-0            **CNT<7:0>:** Start-of-Frame Size bits;  
 Value represents 10 + (packet size of n bytes). For example:  
 0100 1010 = 64-byte packet  
 0010 1010 = 32-byte packet  
 0001 0010 = 8-byte packet

## REGISTER 18-12: U1CNFG1: USB CONFIGURATION REGISTER 1

|        |     |     |     |     |     |     |       |
|--------|-----|-----|-----|-----|-----|-----|-------|
| U-0    | U-0 | U-0 | U-0 | U-0 | U-0 | U-0 | U-0   |
| —      | —   | —   | —   | —   | —   | —   | —     |
| bit 15 |     |     |     |     |     |     | bit 8 |

|       |                       |     |         |     |     |       |       |
|-------|-----------------------|-----|---------|-----|-----|-------|-------|
| R/W-0 | R/W-0                 | U-0 | R/W-0   | U-0 | U-0 | R/W-0 | R/W-0 |
| UTEYE | UOEMON <sup>(1)</sup> | —   | USBSIDL | —   | —   | PPB1  | PPB0  |
| bit 7 |                       |     |         |     |     |       | bit 0 |

### Legend:

R = Readable bit                      W = Writable bit                      U = Unimplemented bit, read as '0'  
 -n = Value at POR                      '1' = Bit is set                      '0' = Bit is cleared                      x = Bit is unknown

bit 15-8            **Unimplemented:** Read as '0'  
 bit 7                **UTEYE:** USB Eye Pattern Test Enable bit  
                       1 = Eye pattern test is enabled  
                       0 = Eye pattern test is disabled  
 bit 6                **UOEMON:** USB  $\overline{OE}$  Monitor Enable bit<sup>(1)</sup>  
                       1 =  $\overline{OE}$  signal is active; it indicates the intervals during which the D+/D- lines are driving  
                       0 =  $\overline{OE}$  signal is inactive  
 bit 5                **Unimplemented:** Read as '0'  
 bit 4                **USBSIDL:** USB OTG Stop in Idle Mode bit  
                       1 = Discontinue module operation when device enters Idle mode  
                       0 = Continue module operation in Idle mode  
 bit 3-2            **Unimplemented:** Read as '0'

**Note 1:** This bit is only active when the UTRDIS bit (U1CNFG2<0>) is set.

# PIC24FJ64GB004 FAMILY

## REGISTER 18-12: U1CNFG1: USB CONFIGURATION REGISTER 1 (CONTINUED)

- bit 1-0     **PPB<1:0>**: Ping-Pong Buffers Configuration bit  
           11 = EVEN/ODD ping-pong buffers are enabled for Endpoints 1 to 15  
           10 = EVEN/ODD ping-pong buffers are enabled for all endpoints  
           01 = EVEN/ODD ping-pong buffers are enabled for OUT Endpoint 0  
           00 = EVEN/ODD ping-pong are buffers are disabled

**Note 1:** This bit is only active when the UTRDIS bit (U1CNFG2<0>) is set.

## REGISTER 18-13: U1CNFG2: USB CONFIGURATION REGISTER 2

|        |     |     |     |     |     |     |       |
|--------|-----|-----|-----|-----|-----|-----|-------|
| U-0    | U-0 | U-0 | U-0 | U-0 | U-0 | U-0 | U-0   |
| —      | —   | —   | —   | —   | —   | —   | —     |
| bit 15 |     |     |     |     |     |     | bit 8 |

|       |     |          |        |          |                         |                         |                       |
|-------|-----|----------|--------|----------|-------------------------|-------------------------|-----------------------|
| U-0   | U-0 | R/W-0    | R/W-0  | R/W-0    | R/W-0                   | R/W-0                   | R/W-0                 |
| —     | —   | UVCMPSEL | PUVBUS | EXTI2CEN | UVBUSDIS <sup>(1)</sup> | UVCMPDIS <sup>(1)</sup> | UTRDIS <sup>(1)</sup> |
| bit 7 |     |          |        |          |                         |                         | bit 0                 |

### Legend:

|                   |                  |                                    |
|-------------------|------------------|------------------------------------|
| R = Readable bit  | W = Writable bit | U = Unimplemented bit, read as '0' |
| -n = Value at POR | '1' = Bit is set | '0' = Bit is cleared               |
|                   |                  | x = Bit is unknown                 |

- bit 15-6     **Unimplemented:** Read as '0'
- bit 5     **UVCMPSEL:** External Comparator Input Mode Select bit (see Table 18-3)  
           When UVCMPDIS is set:  
           1 = Use 3 pin input for external comparators  
           0 = Use 2 pin input for external comparators
- bit 4     **PUVBUS:** VBUS Pull-up Enable bit  
           1 = Pull-up on VBUS pin is enabled  
           0 = Pull-up on VBUS pin is disabled
- bit 3     **EXTI2CEN:** I<sup>2</sup>C™ Interface For External Module Control Enable bit  
           1 = External module(s) is controlled via I<sup>2</sup>C interface  
           0 = External module(s) is controlled via dedicated pins
- bit 2     **UVBUSDIS:** On-Chip 5V Boost Regulator Builder Disable bit<sup>(1)</sup>  
           1 = On-chip boost regulator builder is disabled; digital output control interface is enabled  
           0 = On-chip boost regulator builder is active
- bit 1     **UVCMPDIS:** On-Chip VBUS Comparator Disable bit<sup>(1)</sup>  
           1 = On-chip charge VBUS comparator is disabled; digital input status interface is enabled  
           0 = On-chip charge VBUS comparator is active
- bit 0     **UTRDIS:** On-Chip Transceiver Disable bit<sup>(1)</sup>  
           1 = On-chip transceiver is disabled; digital transceiver interface is enabled  
           0 = On-chip transceiver is active

**Note 1:** Never change these bits while the USBPWR bit is set (U1PWRC<0> = 1).

# PIC24FJ64GB004 FAMILY

## 18.7.2 USB INTERRUPT REGISTERS

### REGISTER 18-14: U1OTGIR: USB OTG INTERRUPT STATUS REGISTER (HOST MODE ONLY)

|        |     |     |     |     |     |     |       |
|--------|-----|-----|-----|-----|-----|-----|-------|
| U-0    | U-0 | U-0 | U-0 | U-0 | U-0 | U-0 | U-0   |
| —      | —   | —   | —   | —   | —   | —   | —     |
| bit 15 |     |     |     |     |     |     | bit 8 |

|           |           |           |           |           |           |     |           |
|-----------|-----------|-----------|-----------|-----------|-----------|-----|-----------|
| R/K-0, HS | R/K-0, HS | R/K-0, HS | R/K-0, HS | R/K-0, HS | R/K-0, HS | U-0 | R/K-0, HS |
| IDIF      | T1MSECIF  | LSTATEIF  | ACTVIF    | SESVDIF   | SESENDIF  | —   | VBUSVDIF  |
| bit 7     |           |           |           |           |           |     | bit 0     |

|                   |                                    |                            |                    |
|-------------------|------------------------------------|----------------------------|--------------------|
| <b>Legend:</b>    | U = Unimplemented bit, read as '0' |                            |                    |
| R = Readable bit  | K = Write '1' to clear bit         | HS = Hardware Settable bit |                    |
| -n = Value at POR | '1' = Bit is set                   | '0' = Bit is cleared       | x = Bit is unknown |

- bit 15-8      **Unimplemented:** Read as '0'
- bit 7          **IDIF:** ID State Change Indicator bit  
 1 = Change in ID state is detected  
 0 = No ID state change
- bit 6          **T1MSECIF:** 1 Millisecond Timer bit  
 1 = The 1 millisecond timer has expired  
 0 = The 1 millisecond timer has not expired
- bit 5          **LSTATEIF:** Line State Stable Indicator bit  
 1 = USB line state (as defined by the SE0 and JSTATE bits) has been stable for 1 ms, but different from last time  
 0 = USB line state has not been stable for 1 ms
- bit 4          **ACTVIF:** Bus Activity Indicator bit  
 1 = Activity on the D+/D- lines or VBUS is detected  
 0 = No activity on the D+/D- lines or VBUS is detected
- bit 3          **SESVDIF:** Session Valid Change Indicator bit  
 1 = VBUS has crossed VA\_SESS\_END (as defined in the USB OTG Specification)<sup>(1)</sup>  
 0 = VBUS has not crossed VA\_SESS\_END
- bit 2          **SESENDIF:** B-Device VBUS Change Indicator bit  
 1 = VBUS change on B-device is detected; VBUS has crossed VB\_SESS\_END (as defined in the USB OTG Specification)<sup>(1)</sup>  
 0 = VBUS has not crossed VA\_SESS\_END
- bit 1          **Unimplemented:** Read as '0'
- bit 0          **VBUSVDIF:** A-Device VBUS Change Indicator bit  
 1 = VBUS change on A-device is detected; VBUS has crossed VA\_VBUS\_VLD (as defined in the USB OTG Specification)<sup>(1)</sup>  
 0 = No VBUS change on A-device is detected

**Note 1:** VBUS threshold crossings may be either rising or falling.

**Note:** Individual bits can only be cleared by writing a '1' to the bit position as part of a word write operation on the entire register. Using Boolean instructions or bitwise operations to write to a single bit position will cause all set bits at the moment of the write to become cleared.

# PIC24FJ64GB004 FAMILY

## REGISTER 18-15: U1OTGIE: USB OTG INTERRUPT ENABLE REGISTER (HOST MODE ONLY)

|        |     |     |     |     |     |     |       |
|--------|-----|-----|-----|-----|-----|-----|-------|
| U-0    | U-0 | U-0 | U-0 | U-0 | U-0 | U-0 | U-0   |
| —      | —   | —   | —   | —   | —   | —   | —     |
| bit 15 |     |     |     |     |     |     | bit 8 |

|       |          |          |        |         |          |     |          |
|-------|----------|----------|--------|---------|----------|-----|----------|
| R/W-0 | R/W-0    | R/W-0    | R/W-0  | R/W-0   | R/W-0    | U-0 | R/W-0    |
| IDIE  | T1MSECIE | LSTATEIE | ACTVIE | SESVDIE | SESENDIE | —   | VBUSVDIE |
| bit 7 |          |          |        |         |          |     | bit 0    |

### Legend:

R = Readable bit                      W = Writable bit                      U = Unimplemented bit, read as '0'  
 -n = Value at POR                      '1' = Bit is set                      '0' = Bit is cleared                      x = Bit is unknown

- bit 15-8     **Unimplemented:** Read as '0'
- bit 7        **IDIE:** ID Interrupt Enable bit  
               1 = Interrupt is enabled  
               0 = Interrupt is disabled
- bit 6        **T1MSECIE:** 1 Millisecond Timer Interrupt Enable bit  
               1 = Interrupt is enabled  
               0 = Interrupt is disabled
- bit 5        **LSTATEIE:** Line State Stable Interrupt Enable bit  
               1 = Interrupt is enabled  
               0 = Interrupt is disabled
- bit 4        **ACTVIE:** Bus Activity Interrupt Enable bit  
               1 = Interrupt is enabled  
               0 = Interrupt is disabled
- bit 3        **SESVDIE:** Session Valid Interrupt Enable bit  
               1 = Interrupt is enabled  
               0 = Interrupt is disabled
- bit 2        **SESENDIE:** B-Device Session End Interrupt Enable bit  
               1 = Interrupt is enabled  
               0 = Interrupt is disabled
- bit 1        **Unimplemented:** Read as '0'
- bit 0        **VBUSVDIE:** A-Device Vbus Valid Interrupt Enable bit  
               1 = Interrupt is enabled  
               0 = Interrupt is disabled

# PIC24FJ64GB004 FAMILY

## REGISTER 18-16: U1IR: USB INTERRUPT STATUS REGISTER (DEVICE MODE ONLY)

|        |     |     |     |     |     |     |       |
|--------|-----|-----|-----|-----|-----|-----|-------|
| U-0    | U-0 | U-0 | U-0 | U-0 | U-0 | U-0 | U-0   |
| —      | —   | —   | —   | —   | —   | —   | —     |
| bit 15 |     |     |     |     |     |     | bit 8 |

|           |     |           |           |           |           |        |           |
|-----------|-----|-----------|-----------|-----------|-----------|--------|-----------|
| R/K-0, HS | U-0 | R/K-0, HS | R/K-0, HS | R/K-0, HS | R/K-0, HS | R-0    | R/K-0, HS |
| STALLIF   | —   | RESUMEIF  | IDLEIF    | TRNIF     | SOFIF     | UERRIF | URSTIF    |
| bit 7     |     |           |           |           |           |        | bit 0     |

|                   |                                    |                            |                    |
|-------------------|------------------------------------|----------------------------|--------------------|
| <b>Legend:</b>    | U = Unimplemented bit, read as '0' |                            |                    |
| R = Readable bit  | K = Write '1' to clear bit         | HS = Hardware Settable bit |                    |
| -n = Value at POR | '1' = Bit is set                   | '0' = Bit is cleared       | x = Bit is unknown |

- bit 15-8      **Unimplemented:** Read as '0'
- bit 7      **STALLIF:** STALL Handshake Interrupt bit  
 1 = A STALL handshake was sent by the peripheral during the handshake phase of the transaction in Device mode  
 0 = A STALL handshake has not been sent
- bit 6      **Unimplemented:** Read as '0'
- bit 5      **RESUMEIF:** Resume Interrupt bit  
 1 = A K-state was observed on the D+ or D- pin for 2.5  $\mu$ s (differential '1' for low speed, differential '0' for full speed)  
 0 = No K-state was observed
- bit 4      **IDLEIF:** Idle Detect Interrupt bit  
 1 = Idle condition was detected (constant Idle state of 3 ms or more)  
 0 = No Idle condition was detected
- bit 3      **TRNIF:** Token Processing Complete Interrupt bit  
 1 = Processing of current token was complete; read U1STAT register for endpoint information  
 0 = Processing of current token was not complete; clear U1STAT register or load next token from STAT (clearing this bit causes the STAT FIFO to advance)
- bit 2      **SOFIF:** Start-of-Frame Token Interrupt bit  
 1 = A Start-of-Frame token received by the peripheral or the Start-of-Frame threshold was reached by the host  
 0 = No Start-of-Frame token was received or threshold reached
- bit 1      **UERRIF:** USB Error Condition Interrupt bit (read-only)  
 1 = An unmasked error condition has occurred; only error states enabled in the U1EIE register can set this bit  
 0 = No unmasked error condition has occurred
- bit 0      **URSTIF:** USB Reset Interrupt bit  
 1 = Valid USB Reset has occurred for at least 2.5  $\mu$ s; Reset state must be cleared before this bit can be reasserted  
 0 = No USB Reset has occurred. Individual bits can only be cleared by writing a '1' to the bit position as part of a word write operation on the entire register. Using Boolean instructions or bitwise operations to write to a single bit position will cause all set bits at the moment of the write to become cleared.

**Note:** Individual bits can only be cleared by writing a '1' to the bit position as part of a word write operation on the entire register. Using Boolean instructions or bitwise operations to write to a single bit position will cause all set bits at the moment of the write to become cleared.



# PIC24FJ64GB004 FAMILY

## REGISTER 18-17: U1IR: USB INTERRUPT STATUS REGISTER (HOST MODE ONLY)

|        |     |     |     |     |     |     |       |
|--------|-----|-----|-----|-----|-----|-----|-------|
| U-0    | U-0 | U-0 | U-0 | U-0 | U-0 | U-0 | U-0   |
| —      | —   | —   | —   | —   | —   | —   | —     |
| bit 15 |     |     |     |     |     |     | bit 8 |

|           |           |           |           |           |           |        |           |
|-----------|-----------|-----------|-----------|-----------|-----------|--------|-----------|
| R/K-0, HS | R/K-0, HS | R/K-0, HS | R/K-0, HS | R/K-0, HS | R/K-0, HS | R-0    | R/K-0, HS |
| STALLIF   | ATTACHIF  | RESUMEIF  | IDLEIF    | TRNIF     | SOFIF     | UERRIF | DETACHIF  |
| bit 7     |           |           |           |           |           |        | bit 0     |

|                   |                                    |                            |                    |
|-------------------|------------------------------------|----------------------------|--------------------|
| <b>Legend:</b>    | U = Unimplemented bit, read as '0' |                            |                    |
| R = Readable bit  | K = Write '1' to clear bit         | HS = Hardware Settable bit |                    |
| -n = Value at POR | '1' = Bit is set                   | '0' = Bit is cleared       | x = Bit is unknown |

- bit 15-8 **Unimplemented:** Read as '0'
- bit 7 **STALLIF:** STALL Handshake Interrupt bit  
 1 = A STALL handshake was sent by the peripheral device during the handshake phase of the transaction in Device mode  
 0 = A STALL handshake has not been sent
- bit 6 **ATTACHIF:** Peripheral Attach Interrupt bit  
 1 = A peripheral attachment has been detected by the module; set if the bus state is not SE0 and there has been no bus activity for 2.5  $\mu$ s  
 0 = No peripheral attachment is detected
- bit 5 **RESUMEIF:** Resume Interrupt bit  
 1 = A K-state is observed on the D+ or D- pin for 2.5  $\mu$ s (differential '1' for low speed, differential '0' for full speed)  
 0 = No K-state is observed
- bit 4 **IDLEIF:** Idle Detect Interrupt bit  
 1 = Idle condition is detected (constant Idle state of 3 ms or more)  
 0 = No Idle condition is detected
- bit 3 **TRNIF:** Token Processing Complete Interrupt bit  
 1 = Processing of current token is complete; read U1STAT register for endpoint information  
 0 = Processing of current token is not complete; clear U1STAT register or load next token from U1STAT
- bit 2 **SOFIF:** Start-of-Frame Token Interrupt bit  
 1 = A Start-of-Frame token is received by the peripheral or the Start-of-Frame threshold reached by the host  
 0 = No Start-of-Frame token is received or threshold reached
- bit 1 **UERRIF:** USB Error Condition Interrupt bit  
 1 = An unmasked error condition has occurred; only error states enabled in the U1EIE register can set this bit  
 0 = No unmasked error condition has occurred
- bit 0 **DETACHIF:** Detach Interrupt bit  
 1 = A peripheral detachment has been detected by the module; Reset state must be cleared before this bit can be reasserted  
 0 = No peripheral detachment detected. Individual bits can only be cleared by writing a '1' to the bit position as part of a word write operation on the entire register. Using Boolean instructions or bitwise operations to write to a single bit position will cause all set bits at the moment of the write to become cleared.

**Note:** Individual bits can only be cleared by writing a '1' to the bit position as part of a word write operation on the entire register. Using Boolean instructions or bitwise operations to write to a single bit position will cause all set bits at the moment of the write to become cleared.

# PIC24FJ64GB004 FAMILY

## REGISTER 18-18: U1IE: USB INTERRUPT ENABLE REGISTER (ALL USB MODES)

|        |     |     |     |     |     |     |       |
|--------|-----|-----|-----|-----|-----|-----|-------|
| U-0    | U-0 | U-0 | U-0 | U-0 | U-0 | U-0 | U-0   |
| —      | —   | —   | —   | —   | —   | —   | —     |
| bit 15 |     |     |     |     |     |     | bit 8 |

|         |                         |          |        |       |       |        |          |
|---------|-------------------------|----------|--------|-------|-------|--------|----------|
| R/W-0   | R/W-0                   | R/W-0    | R/W-0  | R/W-0 | R/W-0 | R/W-0  | R/W-0    |
| STALLIE | ATTACHIE <sup>(1)</sup> | RESUMEIE | IDLEIE | TRNIE | SOFIE | UERRIE | URSTIE   |
|         |                         |          |        |       |       |        | DETACHIE |
| bit 7   |                         |          |        |       |       |        | bit 0    |

### Legend:

R = Readable bit

W = Writable bit

U = Unimplemented bit, read as '0'

-n = Value at POR

'1' = Bit is set

'0' = Bit is cleared

x = Bit is unknown

- bit 15-8     **Unimplemented:** Read as '0'
- bit 7        **STALLIE:** STALL Handshake Interrupt Enable bit  
             1 = Interrupt is enabled  
             0 = Interrupt is disabled
- bit 6        **ATTACHIE:** Peripheral Attach Interrupt bit (Host mode only)<sup>(1)</sup>  
             1 = Interrupt is enabled  
             0 = Interrupt is disabled
- bit 5        **RESUMEIE:** Resume Interrupt bit  
             1 = Interrupt is enabled  
             0 = Interrupt is disabled
- bit 4        **IDLEIE:** Idle Detect Interrupt bit  
             1 = Interrupt is enabled  
             0 = Interrupt is disabled
- bit 3        **TRNIE:** Token Processing Complete Interrupt bit  
             1 = Interrupt is enabled  
             0 = Interrupt is disabled
- bit 2        **SOFIE:** Start-of-Frame Token Interrupt bit  
             1 = Interrupt is enabled  
             0 = Interrupt disabled
- bit 1        **UERRIE:** USB Error Condition Interrupt bit  
             1 = Interrupt is enabled  
             0 = Interrupt is disabled
- bit 0        **URSTIE or DETACHIE:** USB Reset Interrupt (Device mode) or USB Detach Interrupt (Host mode) Enable bit  
             1 = Interrupt is enabled  
             0 = Interrupt is disabled

**Note 1:** Unimplemented in Device mode; read as '0'.

# PIC24FJ64GB004 FAMILY

## REGISTER 18-19: U1EIR: USB ERROR INTERRUPT STATUS REGISTER

|        |     |     |     |     |     |     |       |
|--------|-----|-----|-----|-----|-----|-----|-------|
| U-0    | U-0 | U-0 | U-0 | U-0 | U-0 | U-0 | U-0   |
| —      | —   | —   | —   | —   | —   | —   | —     |
| bit 15 |     |     |     |     |     |     | bit 8 |

|           |     |           |           |           |           |                 |           |
|-----------|-----|-----------|-----------|-----------|-----------|-----------------|-----------|
| R/K-0, HS | U-0 | R/K-0, HS | R/K-0, HS | R/K-0, HS | R/K-0, HS | R/K-0, HS       | R/K-0, HS |
| BTSEF     | —   | DMAEF     | BTOEF     | DFN8EF    | CRC16EF   | CRC5EF<br>EOFEF | PIDEF     |
| bit 7     |     |           |           |           |           |                 | bit 0     |

|                   |                                    |
|-------------------|------------------------------------|
| <b>Legend:</b>    | U = Unimplemented bit, read as '0' |
| R = Readable bit  | K = Write '1' to clear bit         |
| -n = Value at POR | '1' = Bit is set                   |
|                   | HS = Hardware Settable bit         |
|                   | '0' = Bit is cleared               |
|                   | x = Bit is unknown                 |

- bit 15-8     **Unimplemented:** Read as '0'
- bit 7       **BTSEF:** Bit Stuff Error Flag bit
  - 1 = Bit stuff error has been detected
  - 0 = No bit stuff error
- bit 6       **Unimplemented:** Read as '0'
- bit 5       **DMAEF:** DMA Error Flag bit
  - 1 = A USB DMA error condition detected; the data size indicated by the BD byte count field is less than the number of received bytes. The received data is truncated.
  - 0 = No DMA error
- bit 4       **BTOEF:** Bus Turnaround Time-out Error Flag bit
  - 1 = Bus turnaround time-out has occurred
  - 0 = No bus turnaround time-out
- bit 3       **DFN8EF:** Data Field Size Error Flag bit
  - 1 = Data field was not an integral number of bytes
  - 0 = Data field was an integral number of bytes
- bit 2       **CRC16EF:** CRC16 Failure Flag bit
  - 1 = CRC16 failed
  - 0 = CRC16 passed
- bit 1       For Device mode:
  - CRC5EF:** CRC5 Host Error Flag bit
    - 1 = Token packet rejected due to CRC5 error
    - 0 = Token packet accepted (no CRC5 error)
  - For Host mode:
    - EOFEF:** End-Of-Frame Error Flag bit
      - 1 = End-Of-Frame error has occurred
      - 0 = End-Of-Frame interrupt disabled
- bit 0       **PIDEF:** PID Check Failure Flag bit
  - 1 = PID check failed
  - 0 = PID check passed. Individual bits can only be cleared by writing a '1' to the bit position as part of a word write operation on the entire register. Using Boolean instructions or bitwise operations to write to a single bit position will cause all set bits at the moment of the write to become cleared.

**Note:** Individual bits can only be cleared by writing a '1' to the bit position as part of a word write operation on the entire register. Using Boolean instructions or bitwise operations to write to a single bit position will cause all set bits at the moment of the write to become cleared.

# PIC24FJ64GB004 FAMILY

## REGISTER 18-20: U1EIE: USB ERROR INTERRUPT ENABLE REGISTER

|        |     |     |     |     |     |     |       |
|--------|-----|-----|-----|-----|-----|-----|-------|
| U-0    | U-0 | U-0 | U-0 | U-0 | U-0 | U-0 | U-0   |
| —      | —   | —   | —   | —   | —   | —   | —     |
| bit 15 |     |     |     |     |     |     | bit 8 |

|       |     |       |       |        |         |                 |       |
|-------|-----|-------|-------|--------|---------|-----------------|-------|
| R/W-0 | U-0 | R/W-0 | R/W-0 | R/W-0  | R/W-0   | R/W-0           | R/W-0 |
| BTSEE | —   | DMAEE | BTOEE | DFN8EE | CRC16EE | CRC5EE<br>EOFEE | PIDEE |
| bit 7 |     |       |       |        |         |                 | bit 0 |

### Legend:

R = Readable bit

W = Writable bit

U = Unimplemented bit, read as '0'

-n = Value at POR

'1' = Bit is set

'0' = Bit is cleared

x = Bit is unknown

bit 15-8 **Unimplemented:** Read as '0'

bit 7 **BTSEE:** Bit Stuff Error Interrupt Enable bit

1 = Interrupt is enabled

0 = Interrupt is disabled

bit 6 **Unimplemented:** Read as '0'

bit 5 **DMAEE:** DMA Error Interrupt Enable bit

1 = Interrupt is enabled

0 = Interrupt is disabled

bit 4 **BTOEE:** Bus Turnaround Time-out Error Interrupt Enable bit

1 = Interrupt is enabled

0 = Interrupt is disabled

bit 3 **DFN8EE:** Data Field Size Error Interrupt Enable bit

1 = Interrupt is enabled

0 = Interrupt is disabled

bit 2 **CRC16EE:** CRC16 Failure Interrupt Enable bit

1 = Interrupt is enabled

0 = Interrupt is disabled

bit 1 For Device mode:

**CRC5EE:** CRC5 Host Error Interrupt Enable bit

1 = Interrupt is enabled

0 = Interrupt is disabled

For Host mode:

**EOFEE:** End-of-Frame Error interrupt Enable bit

1 = Interrupt is enabled

0 = Interrupt is disabled

bit 0 **PIDEE:** PID Check Failure Interrupt Enable bit

1 = Interrupt is enabled

0 = Interrupt is disabled

# PIC24FJ64GB004 FAMILY

## 18.7.3 USB ENDPOINT MANAGEMENT REGISTERS

### REGISTER 18-21: U1EPn: USB ENDPOINT CONTROL REGISTERS (n = 0 TO 15)

|        |     |     |     |     |     |     |       |
|--------|-----|-----|-----|-----|-----|-----|-------|
| U-0    | U-0 | U-0 | U-0 | U-0 | U-0 | U-0 | U-0   |
| —      | —   | —   | —   | —   | —   | —   | —     |
| bit 15 |     |     |     |     |     |     | bit 8 |

|                     |                         |     |          |        |        |         |       |
|---------------------|-------------------------|-----|----------|--------|--------|---------|-------|
| R/W-0               | R/W-0                   | U-0 | R/W-0    | R/W-0  | R/W-0  | R/W-0   | R/W-0 |
| LSPD <sup>(1)</sup> | RETRYDIS <sup>(1)</sup> | —   | EPCONDIS | EPRXEN | EPTXEN | EPSTALL | EPHSK |
| bit 7               |                         |     |          |        |        |         | bit 0 |

#### Legend:

R = Readable bit                      W = Writable bit                      U = Unimplemented bit, read as '0'  
 -n = Value at POR                      '1' = Bit is set                      '0' = Bit is cleared                      x = Bit is unknown

- bit 15-8        **Unimplemented:** Read as '0'
- bit 7         **LSPD:** Low-Speed Direct Connection Enable bit (U1EP0 only)<sup>(1)</sup>  
                  1 = Direct connection to a low-speed device is enabled  
                  0 = Direct connection to a low-speed device is disabled
- bit 6         **RETRYDIS:** Retry Disable bit (U1EP0 only)<sup>(1)</sup>  
                  1 = Retry NAK transactions are disabled  
                  0 = Retry NAK transactions are enabled; retry done in hardware
- bit 5         **Unimplemented:** Read as '0'
- bit 4         **EPCONDIS:** Bidirectional Endpoint Control bit  
                  If EPTXEN and EPRXEN = 1:  
                  1 = Disable Endpoint n from Control transfers; only Tx and Rx transfers are allowed  
                  0 = Enable Endpoint n for Control (SETUP) transfers; Tx and Rx transfers also are allowed.  
                  For all other combinations of EPTXEN and EPRXEN:  
                  This bit is ignored.
- bit 3         **EPRXEN:** Endpoint Receive Enable bit  
                  1 = Endpoint n receive is enabled  
                  0 = Endpoint n receive is disabled
- bit 2         **EPTXEN:** Endpoint Transmit Enable bit  
                  1 = Endpoint n transmit is enabled  
                  0 = Endpoint n transmit is disabled
- bit 1         **EPSTALL:** Endpoint Stall Status bit  
                  1 = Endpoint n was stalled  
                  0 = Endpoint n was not stalled
- bit 0         **EPHSK:** Endpoint Handshake Enable bit  
                  1 = Endpoint handshake is enabled  
                  0 = Endpoint handshake is disabled (typically used for isochronous endpoints)

**Note 1:** These bits are available only for U1EP0, and only in Host mode. For all other U1EPn registers, these bits are always unimplemented and read as '0'.

# PIC24FJ64GB004 FAMILY

## 18.7.4 USB V<sub>Bus</sub> POWER CONTROL REGISTER

### REGISTER 18-22: U1PWMCON: USB V<sub>Bus</sub> PWM GENERATOR CONTROL REGISTER

|        |     |     |     |     |     |        |       |
|--------|-----|-----|-----|-----|-----|--------|-------|
| R/W-0  | U-0 | U-0 | U-0 | U-0 | U-0 | R/W-0  | R/W-0 |
| PWMEN  | —   | —   | —   | —   | —   | PWMPOL | CNTEN |
| bit 15 |     |     |     |     |     | bit 8  |       |

|       |     |     |     |     |     |       |     |
|-------|-----|-----|-----|-----|-----|-------|-----|
| U-0   | U-0 | U-0 | U-0 | U-0 | U-0 | U-0   | U-0 |
| —     | —   | —   | —   | —   | —   | —     | —   |
| bit 7 |     |     |     |     |     | bit 0 |     |

#### Legend:

R = Readable bit

W = Writable bit

U = Unimplemented bit, read as '0'

-n = Value at POR

'1' = Bit is set

'0' = Bit is cleared

x = Bit is unknown

bit 15

**PWMEN:** PWM Enable bit

1 = PWM generator is enabled

0 = PWM generator is disabled; output is held in Reset state specified by PWMPOL

bit 14-10

**Unimplemented:** Read as '0'

bit 9

**PWMPOL:** PWM Polarity bit

1 = PWM output is active-low and resets high

0 = PWM output is active-high and resets low

bit 8

**CNTEN:** PWM Counter Enable bit

1 = Counter is enabled

0 = Counter is disabled

bit 7-0

**Unimplemented:** Read as '0'

# PIC24FJ64GB004 FAMILY

## 19.0 PARALLEL MASTER PORT (PMP)

**Note:** This data sheet summarizes the features of this group of PIC24F devices. It is not intended to be a comprehensive reference source. For more information, refer to the “PIC24F Family Reference Manual”, Section 13. “Parallel Master Port (PMP)” (DS39713).

The Parallel Master Port (PMP) module is a parallel, 8-bit I/O module, specifically designed to communicate with a wide variety of parallel devices, such as communication peripherals, LCDs, external memory devices and microcontrollers. Because the interface to parallel peripherals varies significantly, the PMP is highly configurable.

**Note:** A number of the pins for the PMP are not present on PIC24FJ64GB0 family devices. Refer to the specific device’s pinout to determine which pins are available.

Key features of the PMP module include:

- Up to 16 Programmable Address Lines
- One Chip Select Line
- Programmable Strobe Options:
  - Individual Read and Write Strobes or;
  - Read/Write Strobe with Enable Strobe
- Address Auto-Increment/Auto-Decrement
- Programmable Address/Data Multiplexing
- Programmable Polarity on Control Signals
- Legacy Parallel Slave Port Support
- Enhanced Parallel Slave Support:
  - Address Support
  - 4-Byte Deep Auto-Incrementing Buffer
- Programmable Wait States
- Selectable Input Voltage Levels

**FIGURE 19-1: PMP MODULE OVERVIEW**



# PIC24FJ64GB004 FAMILY

## REGISTER 19-1: PMCON: PARALLEL PORT CONTROL REGISTER

|        |     |       |                       |                       |        |        |        |
|--------|-----|-------|-----------------------|-----------------------|--------|--------|--------|
| R/W-0  | U-0 | R/W-0 | R/W-0                 | R/W-0                 | R/W-0  | R/W-0  | R/W-0  |
| PMPEN  | —   | PSIDL | ADMUX1 <sup>(1)</sup> | ADMUX0 <sup>(1)</sup> | PTBEEN | PTWREN | PTRDEN |
| bit 15 |     |       |                       |                       |        |        | bit 8  |

|       |       |                      |     |                      |       |       |       |
|-------|-------|----------------------|-----|----------------------|-------|-------|-------|
| R/W-0 | R/W-0 | R/W-0 <sup>(2)</sup> | U-0 | R/W-0 <sup>(2)</sup> | R/W-0 | R/W-0 | R/W-0 |
| CSF1  | CSF0  | ALP                  | —   | CS1P                 | BEP   | WRSP  | RDSP  |
| bit 7 |       |                      |     |                      |       |       | bit 0 |

### Legend:

R = Readable bit                      W = Writable bit                      U = Unimplemented bit, read as '0'  
 -n = Value at POR                      '1' = Bit is set                      '0' = Bit is cleared                      x = Bit is unknown

- bit 15        **PMPEN:** Parallel Master Port Enable bit  
                  1 = PMP is enabled  
                  0 = PMP is disabled, no off-chip access performed
- bit 14        **Unimplemented:** Read as '0'
- bit 13        **PSIDL:** Stop in Idle Mode bit  
                  1 = Discontinue module operation when device enters Idle mode  
                  0 = Continue module operation in Idle mode
- bit 12-11    **ADMUX<1:0>:** Address/Data Multiplexing Selection bits<sup>(1)</sup>  
                  11 = Reserved  
                  10 = All 16 bits of address are multiplexed on PMD<7:0> pins  
                  01 = Lower 8 bits of address are multiplexed on PMD<7:0> pins; upper 3 bits are multiplexed on PMA<10:8>  
                  00 = Address and data appear on separate pins
- bit 10        **PTBEEN:** Byte Enable Port Enable bit (16-Bit Master mode)  
                  1 = PMBE port is enabled  
                  0 = PMBE port is disabled
- bit 9         **PTWREN:** Write Enable Strobe Port Enable bit  
                  1 = PMWR/PMENB port is enabled  
                  0 = PMWR/PMENB port is disabled
- bit 8         **PTRDEN:** Read/Write Strobe Port Enable bit  
                  1 = PMRD/ $\overline{\text{PMWR}}$  port is enabled  
                  0 = PMRD/ $\overline{\text{PMWR}}$  port is disabled
- bit 7-6       **CSF<1:0>:** Chip Select Function bits  
                  11 = Reserved  
                  10 = PMCS1 functions as chip set  
                  01 = Reserved  
                  00 = Reserved
- bit 5         **ALP:** Address Latch Polarity bit<sup>(2)</sup>  
                  1 = Active-high ( $\overline{\text{PMALL}}$  and  $\overline{\text{PMALH}}$ )  
                  0 = Active-low ( $\text{PMALL}$  and  $\text{PMALH}$ )
- bit 4         **Unimplemented:** Read as '0'
- bit 3         **CS1P:** Chip Select 1 Polarity bit<sup>(2)</sup>  
                  1 = Active-high ( $\overline{\text{PMCS1}}$ / $\overline{\text{PMCS1}}$ )  
                  0 = Active-low ( $\text{PMCS1}$ / $\text{PMCS1}$ )

**Note 1:** PMA<10:2> bits are not available on 28-pin devices.

**2:** These bits have no effect when their corresponding pins are used as address lines.



# PIC24FJ64GB004 FAMILY

---

## REGISTER 19-1: PMCON: PARALLEL PORT CONTROL REGISTER (CONTINUED)

- bit 2      **BEP:** Byte Enable Polarity bit  
1 = Byte enable is active-high (PMBE)  
0 = Byte enable is active-low (PMBE)
- bit 1      **WRSP:** Write Strobe Polarity bit  
For Slave modes and Master Mode 2 (PMMODE<9:8> = 00, 01, 10):  
1 = Write strobe is active-high (PMWR)  
0 = Write strobe is active-low (PMWR)  
For Master Mode 1 (PMMODE<9:8> = 11):  
1 = Enable strobe is active-high (PMENB)  
0 = Enable strobe is active-low (PMENB)
- bit 0      **RDSP:** Read Strobe Polarity bit  
For Slave modes and Master Mode 2 (PMMODE<9:8> = 00, 01, 10):  
1 = Read strobe is active-high (PMRD)  
0 = Read strobe is active-low (PMRD)  
For Master Mode 1 (PMMODE<9:8> = 11):  
1 = Read/write strobe is active-high (PMRD/PMWR)  
0 = Read/write strobe is active-low (PMRD/PMWR)

- Note 1:** PMA<10:2> bits are not available on 28-pin devices.  
**2:** These bits have no effect when their corresponding pins are used as address lines.

# PIC24FJ64GB004 FAMILY

## REGISTER 19-2: PMMODE: PARALLEL PORT MODE REGISTER

|        |       |       |       |       |        |       |       |
|--------|-------|-------|-------|-------|--------|-------|-------|
| R-0    | R/W-0 | R/W-0 | R/W-0 | R/W-0 | R/W-0  | R/W-0 | R/W-0 |
| BUSY   | IRQM1 | IRQM0 | INCM1 | INCM0 | MODE16 | MODE1 | MODE0 |
| bit 15 |       |       |       |       |        |       | bit 8 |

|                       |                       |        |        |        |        |                       |                       |
|-----------------------|-----------------------|--------|--------|--------|--------|-----------------------|-----------------------|
| R/W-0                 | R/W-0                 | R/W-0  | R/W-0  | R/W-0  | R/W-0  | R/W-0                 | R/W-0                 |
| WAITB1 <sup>(1)</sup> | WAITB0 <sup>(1)</sup> | WAITM3 | WAITM2 | WAITM1 | WAITM0 | WAITE1 <sup>(1)</sup> | WAITE0 <sup>(1)</sup> |
| bit 7                 |                       |        |        |        |        |                       | bit 0                 |

### Legend:

R = Readable bit                      W = Writable bit                      U = Unimplemented bit, read as '0'  
 -n = Value at POR                      '1' = Bit is set                      '0' = Bit is cleared                      x = Bit is unknown

- bit 15            **BUSY**: Busy bit (Master mode only)  
 1 = Port is busy (not useful when the processor stall is active)  
 0 = Port is not busy
- bit 14-13        **IRQM<1:0>**: Interrupt Request Mode bits  
 11 = Interrupt is generated when Read Buffer 3 is read or Write Buffer 3 is written (Buffered PSP mode) or on a read or write operation when PMA<1:0> = 11 (Addressable PSP mode only)  
 10 = No interrupt is generated; processor stall activated  
 01 = Interrupt is generated at the end of the read/write cycle  
 00 = No interrupt is generated
- bit 12-11        **INCM<1:0>**: Increment Mode bits  
 11 = PSP read and write buffers auto-increment (Legacy PSP mode only)  
 10 = Decrement ADDR<10:0> by 1 every read/write cycle  
 01 = Increment ADDR<10:0> by 1 every read/write cycle  
 00 = No increment or decrement of address
- bit 10            **MODE16**: 8/16-Bit Mode bit  
 1 = 16-bit mode: Data register is 16 bits; a read or write to the Data register invokes two 8-bit transfers  
 0 = 8-bit mode: Data register is 8 bits; a read or write to the Data register invokes one 8-bit transfer
- bit 9-8            **MODE<1:0>**: Parallel Port Mode Select bits  
 11 = Master Mode 1 (PMCS1, PMRD/PMWR, PMENB, PMBE, PMA<x:0> and PMD<7:0>)  
 10 = Master Mode 2 (PMCS1, PMRD, PMWR, PMBE, PMA<x:0> and PMD<7:0>)  
 01 = Enhanced PSP control signals (PMRD, PMWR, PMCS1, PMD<7:0> and PMA<1:0>)  
 00 = Legacy Parallel Slave Port control signals (PMRD, PMWR, PMCS1 and PMD<7:0>)
- bit 7-6            **WAITB<1:0>**: Data Setup to Read/Write Wait State Configuration bits<sup>(1)</sup>  
 11 = Data wait of 4 T<sub>cy</sub>; multiplexed address phase of 4 T<sub>cy</sub>  
 10 = Data wait of 3 T<sub>cy</sub>; multiplexed address phase of 3 T<sub>cy</sub>  
 01 = Data wait of 2 T<sub>cy</sub>; multiplexed address phase of 2 T<sub>cy</sub>  
 00 = Data wait of 1 T<sub>cy</sub>; multiplexed address phase of 1 T<sub>cy</sub>
- bit 5-2            **WAITM<3:0>**: Read to Byte Enable Strobe Wait State Configuration bits  
 1111 = Wait of additional 15 T<sub>cy</sub>  
 ...  
 0001 = Wait of additional 1 T<sub>cy</sub>  
 0000 = No additional wait cycles (operation forced into one T<sub>cy</sub>)
- bit 1-0            **WAITE<1:0>**: Data Hold After Strobe Wait State Configuration bits<sup>(1)</sup>  
 11 = Wait of 4 T<sub>cy</sub>  
 10 = Wait of 3 T<sub>cy</sub>  
 01 = Wait of 2 T<sub>cy</sub>  
 00 = Wait of 1 T<sub>cy</sub>

**Note 1:** WAITB and WAITE bits are ignored whenever WAITM<3:0> = 0000.

# PIC24FJ64GB004 FAMILY

## REGISTER 19-3: PMADDR: PARALLEL PORT ADDRESS REGISTER

|        |       |     |     |     |                       |                      |                      |
|--------|-------|-----|-----|-----|-----------------------|----------------------|----------------------|
| U-0    | R/W-0 | U-0 | U-0 | U-0 | R/W-0                 | R/W-0                | R/W-0                |
| —      | CS1   | —   | —   | —   | ADDR10 <sup>(1)</sup> | ADDR9 <sup>(1)</sup> | ADDR8 <sup>(1)</sup> |
| bit 15 |       |     |     |     |                       | bit 8                |                      |

|                      |                      |                      |                      |                      |                      |                      |                      |
|----------------------|----------------------|----------------------|----------------------|----------------------|----------------------|----------------------|----------------------|
| R/W-0                | R/W-0                | R/W-0                | R/W-0                | R/W-0                | R/W-0                | R/W-0                | R/W-0                |
| ADDR7 <sup>(1)</sup> | ADDR6 <sup>(1)</sup> | ADDR5 <sup>(1)</sup> | ADDR4 <sup>(1)</sup> | ADDR3 <sup>(1)</sup> | ADDR2 <sup>(1)</sup> | ADDR1 <sup>(1)</sup> | ADDR0 <sup>(1)</sup> |
| bit 7                |                      |                      |                      |                      |                      | bit 0                |                      |

### Legend:

R = Readable bit                      W = Writable bit                      U = Unimplemented bit, read as '0'  
 -n = Value at POR                      '1' = Bit is set                      '0' = Bit is cleared                      x = Bit is unknown

- bit 15            **Unimplemented:** Read as '0'
- bit 14            **CS1:** Chip Select 1 bit  
                     1 = Chip Select 1 is active  
                     0 = Chip Select 1 is inactive
- bit 13-11       **Unimplemented:** Read as '0'
- bit 10-0        **ADDR<10:0>:** Parallel Port Destination Address bits<sup>(1)</sup>

**Note 1:** PMA<10:2> bits are not available on 28-pin devices.

## REGISTER 19-4: PMAEN: PARALLEL PORT ENABLE REGISTER

|        |        |     |     |     |                       |                      |                      |
|--------|--------|-----|-----|-----|-----------------------|----------------------|----------------------|
| U-0    | R/W-0  | U-0 | U-0 | U-0 | R/W-0                 | R/W-0                | R/W-0                |
| —      | PTEN14 | —   | —   | —   | PTEN10 <sup>(1)</sup> | PTEN9 <sup>(1)</sup> | PTEN8 <sup>(1)</sup> |
| bit 15 |        |     |     |     |                       | bit 8                |                      |

|                      |                      |                      |                      |                      |                      |       |       |
|----------------------|----------------------|----------------------|----------------------|----------------------|----------------------|-------|-------|
| R/W-0                | R/W-0                | R/W-0                | R/W-0                | R/W-0                | R/W-0                | R/W-0 | R/W-0 |
| PTEN7 <sup>(1)</sup> | PTEN6 <sup>(1)</sup> | PTEN5 <sup>(1)</sup> | PTEN4 <sup>(1)</sup> | PTEN3 <sup>(1)</sup> | PTEN2 <sup>(1)</sup> | PTEN1 | PTEN0 |
| bit 7                |                      |                      |                      |                      |                      | bit 0 |       |

### Legend:

R = Readable bit                      W = Writable bit                      U = Unimplemented bit, read as '0'  
 -n = Value at POR                      '1' = Bit is set                      '0' = Bit is cleared                      x = Bit is unknown

- bit 15            **Unimplemented:** Read as '0'
- bit 14            **PTEN14:** PMCS1 Strobe Enable bit  
                     1 = PMCS1 functions as chip select  
                     0 = PMCS1 pin functions as port I/O
- bit 13-11       **Unimplemented:** Read as '0'
- bit 10-2        **PTEN<10:2>:** PMP Address Port Enable bits<sup>(1)</sup>  
                     1 = PMA<10:2> function as PMP address lines  
                     0 = PMA<10:2> function as port I/O
- bit 1-0         **PTEN<1:0>:** PMALH/PMALL Strobe Enable bits  
                     1 = PMA1 and PMA0 function as either PMA<1:0> or PMALH and PMALL  
                     0 = PMA1 and PMA0 pads function as port I/O

**Note 1:** PMA<10:2> bits are not available on 28-pin devices.

# PIC24FJ64GB004 FAMILY

## REGISTER 19-5: PMSTAT: PARALLEL PORT STATUS REGISTER

|        |           |     |     |      |      |      |       |
|--------|-----------|-----|-----|------|------|------|-------|
| R-0    | R/W-0, HS | U-0 | U-0 | R-0  | R-0  | R-0  | R-0   |
| IBF    | IBOV      | —   | —   | IB3F | IB2F | IB1F | IB0F  |
| bit 15 |           |     |     |      |      |      | bit 8 |

|       |           |     |     |      |      |      |       |
|-------|-----------|-----|-----|------|------|------|-------|
| R-1   | R/W-0, HS | U-0 | U-0 | R-1  | R-1  | R-1  | R-1   |
| OBE   | OBUF      | —   | —   | OB3E | OB2E | OB1E | OB0E  |
| bit 7 |           |     |     |      |      |      | bit 0 |

|                   |                            |                                    |                    |
|-------------------|----------------------------|------------------------------------|--------------------|
| <b>Legend:</b>    | HS = Hardware Settable bit |                                    |                    |
| R = Readable bit  | W = Writable bit           | U = Unimplemented bit, read as '0' |                    |
| -n = Value at POR | '1' = Bit is set           | '0' = Bit is cleared               | x = Bit is unknown |

- bit 15      **IBF:** Input Buffer Full Status bit
  - 1 = All writable input buffer registers are full
  - 0 = Some or all of the writable input buffer registers are empty
- bit 14      **IBOV:** Input Buffer Overflow Status bit
  - 1 = A write attempt to a full input byte register has occurred (must be cleared in software)
  - 0 = No overflow has occurred
- bit 13-12    **Unimplemented:** Read as '0'
- bit 11-8     **IB3F:IB0F** Input Buffer x Status Full bits
  - 1 = Input buffer contains data that has not been read (reading buffer will clear this bit)
  - 0 = Input buffer does not contain any unread data
- bit 7        **OBE:** Output Buffer Empty Status bit
  - 1 = All readable output buffer registers are empty
  - 0 = Some or all of the readable output buffer registers are full
- bit 6        **OBUF:** Output Buffer Underflow Status bits
  - 1 = A read occurred from an empty output byte register (must be cleared in software)
  - 0 = No underflow occurred
- bit 5-4     **Unimplemented:** Read as '0'
- bit 3-0     **OB3E:OB0E** Output Buffer x Status Empty bits
  - 1 = Output buffer is empty (writing data to the buffer will clear this bit)
  - 0 = Output buffer contains data that has not been transmitted

# PIC24FJ64GB004 FAMILY

## REGISTER 19-6: PADCFG1: PAD CONFIGURATION CONTROL REGISTER

|        |     |     |     |     |     |     |       |
|--------|-----|-----|-----|-----|-----|-----|-------|
| U-0    | U-0 | U-0 | U-0 | U-0 | U-0 | U-0 | U-0   |
| —      | —   | —   | —   | —   | —   | —   | —     |
| bit 15 |     |     |     |     |     |     | bit 8 |

|       |     |     |     |     |                          |                          |        |
|-------|-----|-----|-----|-----|--------------------------|--------------------------|--------|
| U-0   | U-0 | U-0 | U-0 | U-0 | R/W-0                    | R/W-0                    | R/W-0  |
| —     | —   | —   | —   | —   | RTSECSEL1 <sup>(1)</sup> | RTSECSEL0 <sup>(1)</sup> | PMPTTL |
| bit 7 |     |     |     |     |                          |                          | bit 0  |

### Legend:

R = Readable bit                      W = Writable bit                      U = Unimplemented bit, read as '0'  
 -n = Value at POR                      '1' = Bit is set                      '0' = Bit is cleared                      x = Bit is unknown

bit 15-3      **Unimplemented:** Read as '0'

bit 2-1      **RTSECSEL<1:0>:** RTCC Seconds Clock Output Select bits<sup>(1)</sup>

11 = Reserved; do not use

10 = RTCC source clock is selected for the RTCC pin (clock can be LPRC or SOSC, depending on the setting of the Flash Configuration bit, RTCOSC (CW4<5>))

01 = RTCC seconds clock is selected for the RTCC pin

00 = RTCC alarm pulse is selected for the RTCC pin

bit 0      **PMPTTL:** PMP Module TTL Input Buffer Select bit

1 = PMP module uses TTL input buffers

0 = PMP module uses Schmitt Trigger input buffers

**Note 1:** To enable the actual RTCC output, the RTCOE (RCFGCAL<10>) bit needs to be set.

# PIC24FJ64GB004 FAMILY

**FIGURE 19-2: LEGACY PARALLEL SLAVE PORT EXAMPLE**



**FIGURE 19-3: ADDRESSABLE PARALLEL SLAVE PORT EXAMPLE**



**TABLE 19-1: SLAVE MODE ADDRESS RESOLUTION**

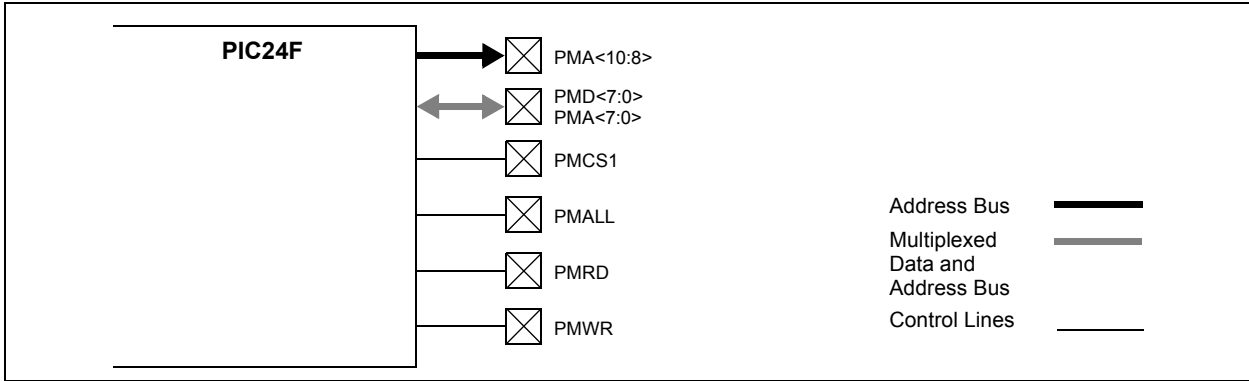
| $PMA<1:0>$ | Output Register (Buffer) | Input Register (Buffer) |
|------------|--------------------------|-------------------------|
| 00         | $PMDOUT1<7:0>(0)$        | $PMDIN1<7:0>(0)$        |
| 01         | $PMDOUT1<15:8>(1)$       | $PMDIN1<15:8>(1)$       |
| 10         | $PMDOUT2<7:0>(2)$        | $PMDIN2<7:0>(2)$        |
| 11         | $PMDOUT2<15:8>(3)$       | $PMDIN2<15:8>(3)$       |

**FIGURE 19-4: MASTER MODE, DEMULTIPLEXED ADDRESSING (SEPARATE READ AND WRITE STROBES, SINGLE CHIP SELECT)**

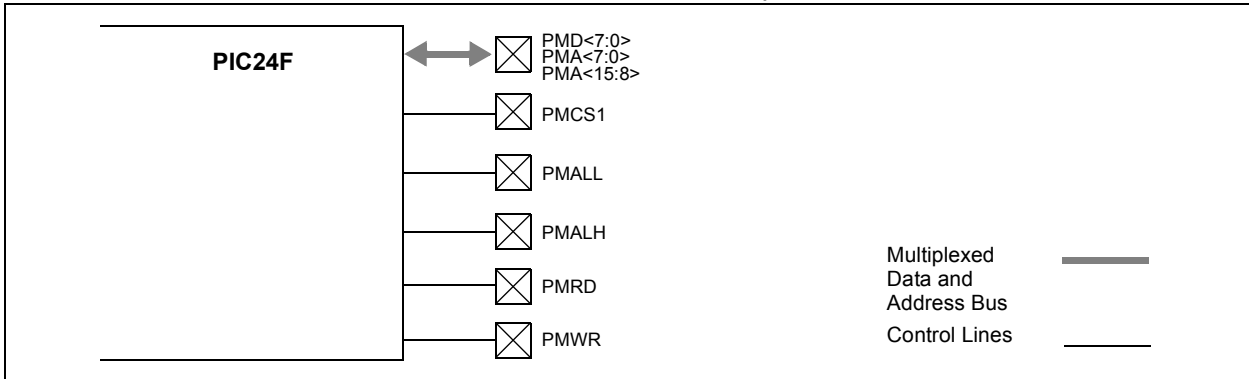


# PIC24FJ64GB004 FAMILY

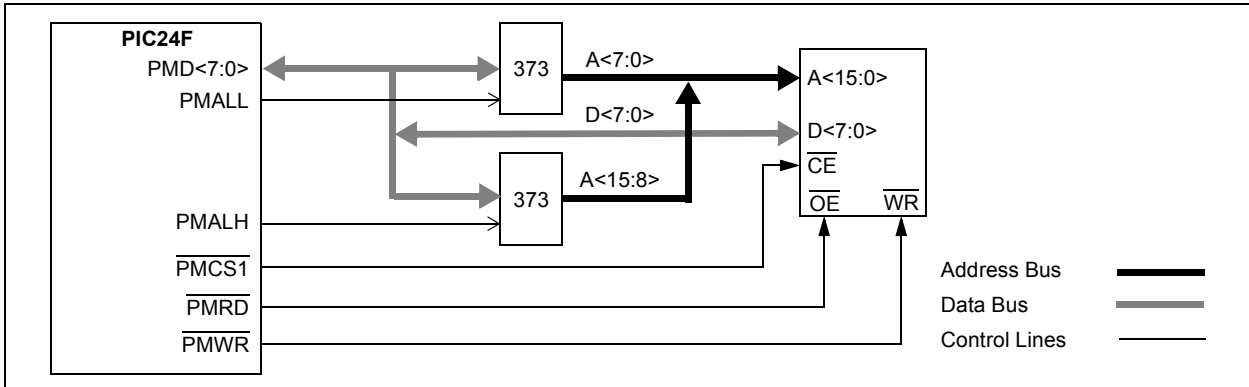
**FIGURE 19-5: MASTER MODE, PARTIALLY MULTIPLEXED ADDRESSING (SEPARATE READ AND WRITE STROBES, SINGLE CHIP SELECT)**



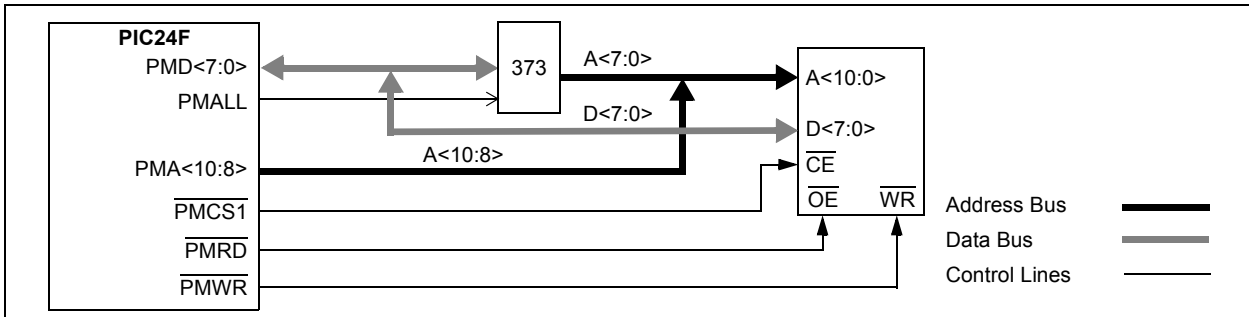
**FIGURE 19-6: MASTER MODE, FULLY MULTIPLEXED ADDRESSING (SEPARATE READ AND WRITE STROBES, SINGLE CHIP SELECT)**



**FIGURE 19-7: EXAMPLE OF A MULTIPLEXED ADDRESSING APPLICATION**



**FIGURE 19-8: EXAMPLE OF A PARTIALLY MULTIPLEXED ADDRESSING APPLICATION**



# PIC24FJ64GB004 FAMILY

**FIGURE 19-9: EXAMPLE OF AN 8-BIT MULTIPLEXED ADDRESS AND DATA APPLICATION**



**FIGURE 19-10: PARALLEL EEPROM EXAMPLE (UP TO 11-BIT ADDRESS, 8-BIT DATA)**



**FIGURE 19-11: PARALLEL EEPROM EXAMPLE (UP TO 11-BIT ADDRESS, 16-BIT DATA)**



**FIGURE 19-12: LCD CONTROL EXAMPLE (BYTE MODE OPERATION)**





# PIC24FJ64GB004 FAMILY

## 20.0 REAL-TIME CLOCK AND CALENDAR (RTCC)

**Note:** This data sheet summarizes the features of this group of PIC24F devices. It is not intended to be a comprehensive reference source. For more information, refer to the “PIC24F Family Reference Manual”, Section 29. “Real-Time Clock and Calendar (RTCC)” (DS39696).

The RTCC provides the user with a Real-Time Clock and Calendar (RTCC) function that can be calibrated.

Key features of the RTCC module are:

- Operates in Deep Sleep mode
- Selectable clock source
- Provides hours, minutes and seconds using 24-hour format
- Visibility of one half second period
- Provides calendar – weekday, date, month and year

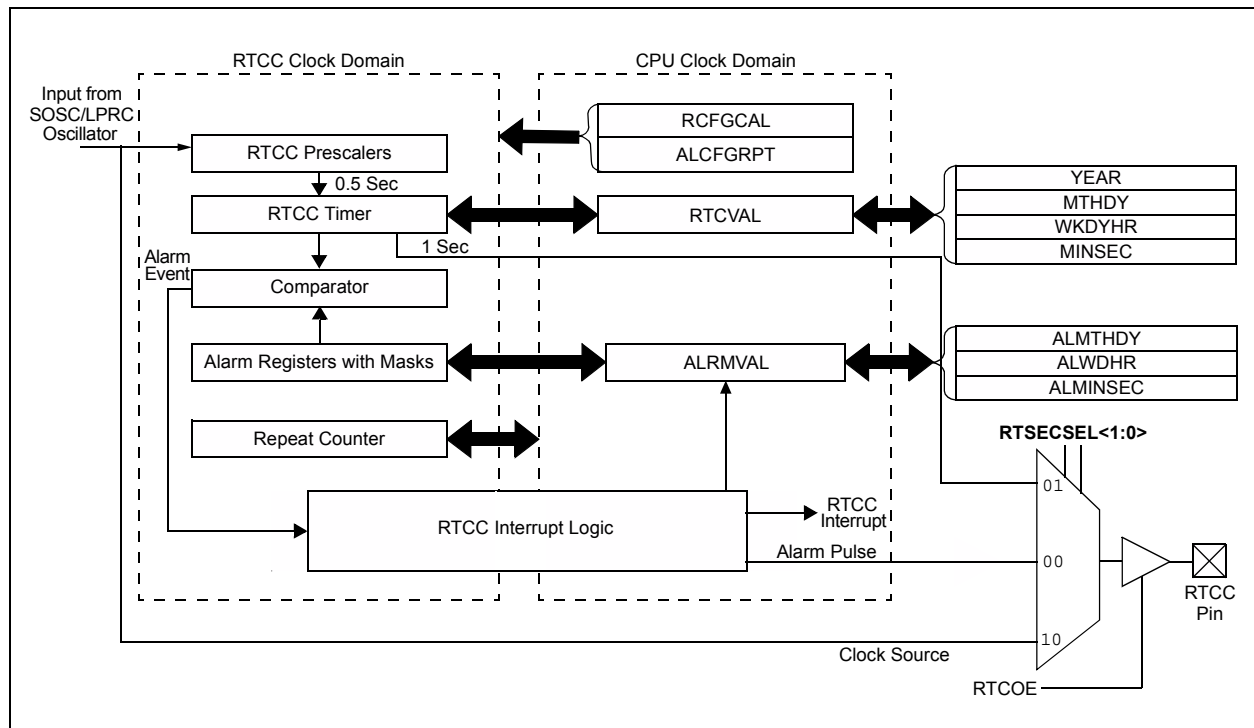
- Alarm-configurable for half a second, one second, 10 seconds, one minute, 10 minutes, one hour, one day, one week, one month or one year
- Alarm repeat with decremting counter
- Alarm with indefinite repeat chime
- Year 2000 to 2099 leap year correction
- BCD format for smaller software overhead
- Optimized for long-term battery operation
- User calibration of the 32.768 kHz clock crystal/32K INTRC frequency with periodic auto-adjust

### 20.1 RTCC Source Clock

The user can select between the SOSC crystal oscillator or the LPRC Low-Power Internal RC Oscillator as the clock reference for the RTCC module. This is configured using the RTCOSC (CW4<5>) Configuration bit. This gives the user an option to trade off system cost, accuracy and power consumption, based on the overall system needs.

The SOSC and RTCC will both remain running while the device is held in Reset with  $\overline{MCLR}$  and will continue running after  $\overline{MCLR}$  is released.

**FIGURE 20-1: RTCC BLOCK DIAGRAM**



# PIC24FJ64GB004 FAMILY

## 20.2 RTCC Module Registers

The RTCC module registers are organized as three categories:

- RTCC Control Registers
- RTCC Value Registers
- Alarm Value Registers

### 20.2.1 REGISTER MAPPING

To limit the register interface, the RTCC Timer and Alarm Time registers are accessed through corresponding register pointers. The RTCC Value register window (RTCVALH and RTCVALL) uses the RTCPTR bits (RCFGCAL<9:8>) to select the desired Timer register pair (see Table 20-1).

By writing to the RTCVALH byte, the RTCC Pointer value, RTCPTR<1:0> bits, decrements by one until they reach '00'. After they reach '00', the MINUTES and SECONDS value will be accessible through RTCVALH and RTCVALL until the pointer value is manually changed.

**TABLE 20-1: RTCVAL REGISTER MAPPING**

| RTCPTR<1:0> | RTCC Value Register Window |             |
|-------------|----------------------------|-------------|
|             | RTCVAL<15:8>               | RTCVAL<7:0> |
| 00          | MINUTES                    | SECONDS     |
| 01          | WEEKDAY                    | HOURS       |
| 10          | MONTH                      | DAY         |
| 11          | —                          | YEAR        |

The Alarm Value register window (ALRMVALH and ALRMVALL) uses the ALRMPTR bits (ALCFGRPT<9:8>) to select the desired Alarm register pair (see Table 20-2).

By writing to the ALRMVALH byte, the Alarm Pointer value, ALRMPTR<1:0> bits, decrements by one until they reach '00'. Once they reach '00', the ALRMMIN and ALRMSEC value will be accessible through ALRMVALH and ALRMVALL until the pointer value is manually changed.

### EXAMPLE 20-1: SETTING THE RTCWREN BIT

```
asm volatile("push w7");
asm volatile("push w8");
asm volatile("disi #5");
asm volatile("mov #0x55, w7");
asm volatile("mov w7, _NVMKEY");
asm volatile("mov #0xAA, w8");
asm volatile("mov w8, _NVMKEY");
asm volatile("bset _RCFGCAL, #13"); //set the RTCWREN bit
asm volatile("pop w8");
asm volatile("pop w7");
```

**TABLE 20-2: ALRMVAL REGISTER MAPPING**

| ALRMPTR<br><1:0> | Alarm Value Register Window |              |
|------------------|-----------------------------|--------------|
|                  | ALRMVAL<15:8>               | ALRMVAL<7:0> |
| 00               | ALRMMIN                     | ALRMSEC      |
| 01               | ALRMWD                      | ALRMHR       |
| 10               | ALRMMNTH                    | ALRMDAY      |
| 11               | —                           | —            |

Considering that the 16-bit core does not distinguish between 8-bit and 16-bit read operations, the user must be aware that when reading either the ALRMVALH or ALRMVALL bytes, the ALRMPTR<1:0> value will be decremented. The same applies to the RTCVALH or RTCVALL bytes with the RTCPTR<1:0> being decremented.

**Note:** This only applies to read operations and not write operations.

### 20.2.2 WRITE LOCK

In order to perform a write to any of the RTCC Timer registers, the RTCWREN bit (RCFGCAL<13>) must be set (refer to Example 20-1).

**Note:** To avoid accidental writes to the timer, it is recommended that the RTCWREN bit (RCFGCAL<13>) is kept clear at any other time. For the RTCWREN bit to be set, there is only one instruction cycle time window allowed between the 55h/AA sequence and the setting of RTCWREN; therefore, it is recommended that code follow the procedure in Example 20-1.

### 20.2.3 SELECTING RTCC CLOCK SOURCE

The clock source for the RTCC module can be selected using the Flash Configuration bit, RTCOSC (CW4<5>). When the bit is set to '1', the Secondary Oscillator (SOSC) is used as the reference clock, and when the bit is '0', LPRC is used as the reference clock.

# PIC24FJ64GB004 FAMILY

## 20.2.4 RTCC CONTROL REGISTERS

### REGISTER 20-1: RCFGAL: RTCC CALIBRATION AND CONFIGURATION REGISTER<sup>(1)</sup>

|                      |     |         |          |                        |       |         |         |
|----------------------|-----|---------|----------|------------------------|-------|---------|---------|
| R/W-0                | U-0 | R/W-0   | R-0, HSC | R-0, HSC               | R/W-0 | R/W-0   | R/W-0   |
| RTCEN <sup>(2)</sup> | —   | RTCWREN | RTCSYNC  | HALFSEC <sup>(3)</sup> | RTCOE | RTCPTR1 | RTCPTR0 |
| bit 15               |     |         |          |                        |       | bit 8   |         |

|       |       |       |       |       |       |       |       |
|-------|-------|-------|-------|-------|-------|-------|-------|
| R/W-0 | R/W-0 | R/W-0 | R/W-0 | R/W-0 | R/W-0 | R/W-0 | R/W-0 |
| CAL7  | CAL6  | CAL5  | CAL4  | CAL3  | CAL2  | CAL1  | CAL0  |
| bit 7 |       |       |       |       |       | bit 0 |       |

|                   |                                       |
|-------------------|---------------------------------------|
| <b>Legend:</b>    | HSC = Hardware Settable/Clearable bit |
| R = Readable bit  | W = Writable bit                      |
| -n = Value at POR | '1' = Bit is set                      |
|                   | '0' = Bit is cleared                  |
|                   | x = Bit is unknown                    |
|                   | U = Unimplemented bit, read as '0'    |

- bit 15     **RTCEN:** RTCC Enable bit<sup>(2)</sup>  
           1 = RTCC module is enabled  
           0 = RTCC module is disabled
- bit 14     **Unimplemented:** Read as '0'
- bit 13     **RTCWREN:** RTCC Value Registers Write Enable bit  
           1 = RTCVALH and RTCVALL registers can be written to by the user  
           0 = RTCVALH and RTCVALL registers are locked out from being written to by the user
- bit 12     **RTCSYNC:** RTCC Value Registers Read Synchronization bit  
           1 = RTCVALH, RTCVALL and ALCFGRPT registers can change while reading due to a rollover ripple resulting in an invalid data read. If the register is read twice and results in the same data, the data can be assumed to be valid.  
           0 = RTCVALH, RTCVALL or ALCFGRPT registers can be read without concern over a rollover ripple
- bit 11     **HALFSEC:** Half Second Status bit<sup>(3)</sup>  
           1 = Second half period of a second  
           0 = First half period of a second
- bit 10     **RTCOE:** RTCC Output Enable bit  
           1 = RTCC output is enabled  
           0 = RTCC output is disabled
- bit 9-8    **RTCPTR<1:0>:** RTCC Value Register Window Pointer bits  
           Points to the corresponding RTCC Value registers when reading the RTCVALH and RTCVALL registers. The RTCPTR<1:0> value decrements on every read or write of RTCVALH until it reaches '00'.  
           RTCVAL<15:8>:  
           00 = MINUTES  
           01 = WEEKDAY  
           10 = MONTH  
           11 = Reserved  
           RTCVAL<7:0>:  
           00 = SECONDS  
           01 = HOURS  
           10 = DAY  
           11 = YEAR

- Note 1:** The RCFGAL register is only affected by a POR.  
**Note 2:** A write to the RTCEN bit is only allowed when RTCWREN = 1.  
**Note 3:** This bit is read-only; it is cleared to '0' on a write to the lower half of the MINSEC register.

# PIC24FJ64GB004 FAMILY

## REGISTER 20-1: RCFGAL: RTCC CALIBRATION AND CONFIGURATION REGISTER<sup>(1)</sup> (CONTINUED)

bit 7-0      **CAL<7:0>**: RTC Drift Calibration bits  
 01111111 = Maximum positive adjustment; adds 508 RTC clock pulses every one minute  
 .  
 .  
 .  
 01111111 = Minimum positive adjustment; adds 4 RTC clock pulses every one minute  
 00000000 = No adjustment  
 11111111 = Minimum negative adjustment; subtracts 4 RTC clock pulses every one minute  
 .  
 .  
 .  
 10000000 = Maximum negative adjustment; subtracts 512 RTC clock pulses every one minute

- Note 1:** The RCFGAL register is only affected by a POR.  
**Note 2:** A write to the RTCEN bit is only allowed when RTCWREN = 1.  
**Note 3:** This bit is read-only; it is cleared to '0' on a write to the lower half of the MINSEC register.

## REGISTER 20-2: PADCFG1: PAD CONFIGURATION CONTROL REGISTER

|        |     |     |     |     |     |     |       |
|--------|-----|-----|-----|-----|-----|-----|-------|
| U-0    | U-0 | U-0 | U-0 | U-0 | U-0 | U-0 | U-0   |
| —      | —   | —   | —   | —   | —   | —   | —     |
| bit 15 |     |     |     |     |     |     | bit 8 |

|       |     |     |     |     |                          |                          |         |
|-------|-----|-----|-----|-----|--------------------------|--------------------------|---------|
| U-0   | U-0 | U-0 | U-0 | U-0 | R/W-0                    | R/W-0                    | R/W-0   |
| —     | —   | —   | —   | —   | RTSECSEL1 <sup>(1)</sup> | RTSECSEL0 <sup>(1)</sup> | PMP TTL |
| bit 7 |     |     |     |     |                          |                          | bit 0   |

### Legend:

R = Readable bit      W = Writable bit      U = Unimplemented bit, read as '0'  
 -n = Value at POR      '1' = Bit is set      '0' = Bit is cleared      x = Bit is unknown

bit 15-3      **Unimplemented:** Read as '0'  
 bit 2-1      **RTSECSEL<1:0>**: RTCC Seconds Clock Output Select bits<sup>(1)</sup>  
 11 = Reserved; do not use  
 10 = RTCC source clock is selected for the RTCC pin (clock can be LPRC or SOSC, depending on the setting of the RTCOSC bit (CW4<5>))  
 01 = RTCC seconds clock is selected for the RTCC pin  
 00 = RTCC alarm pulse is selected for the RTCC pin  
 bit 0      **PMP TTL**: PMP Module TTL Input Buffer Select bit  
 1 = PMP module uses TTL input buffers  
 0 = PMP module uses Schmitt Trigger input buffers

- Note 1:** To enable the actual RTCC output, the RTCOE (RCFGAL<10>) bit needs to be set.

# PIC24FJ64GB004 FAMILY

## REGISTER 20-3: ALCFGRPT: ALARM CONFIGURATION REGISTER

|        |       |        |        |        |        |          |          |
|--------|-------|--------|--------|--------|--------|----------|----------|
| R/W-0  | R/W-0 | R/W-0  | R/W-0  | R/W-0  | R/W-0  | R/W-0    | R/W-0    |
| ALRMEN | CHIME | AMASK3 | AMASK2 | AMASK1 | AMASK0 | ALRMPTR1 | ALRMPTR0 |
| bit 15 |       |        |        |        |        | bit 8    |          |

|       |       |       |       |       |       |       |       |
|-------|-------|-------|-------|-------|-------|-------|-------|
| R/W-0 | R/W-0 | R/W-0 | R/W-0 | R/W-0 | R/W-0 | R/W-0 | R/W-0 |
| ARPT7 | ARPT6 | ARPT5 | ARPT4 | ARPT3 | ARPT2 | ARPT1 | ARPT0 |
| bit 7 |       |       |       |       |       | bit 0 |       |

### Legend:

|                   |                  |                                    |
|-------------------|------------------|------------------------------------|
| R = Readable bit  | W = Writable bit | U = Unimplemented bit, read as '0' |
| -n = Value at POR | '1' = Bit is set | '0' = Bit is cleared               |
|                   |                  | x = Bit is unknown                 |

- bit 15     **ALRMEN:** Alarm Enable bit  
 1 = Alarm is enabled (cleared automatically after an alarm event whenever ARPT<7:0> = 00h and CHIME = 0)  
 0 = Alarm is disabled
- bit 14     **CHIME:** Chime Enable bit  
 1 = Chime is enabled; ARPT<7:0> bits are allowed to roll over from 00h to FFh  
 0 = Chime is disabled; ARPT<7:0> bits stop once they reach 00h
- bit 13-10   **AMASK<3:0>:** Alarm Mask Configuration bits  
 0000 = Every half second  
 0001 = Every second  
 0010 = Every 10 seconds  
 0011 = Every minute  
 0100 = Every 10 minutes  
 0101 = Every hour  
 0110 = Once a day  
 0111 = Once a week  
 1000 = Once a month  
 1001 = Once a year (except when configured for February 29<sup>th</sup>, once every 4 years)  
 101x = Reserved; do not use  
 11xx = Reserved; do not use
- bit 9-8     **ALRMPTR<1:0>:** Alarm Value Register Window Pointer bits  
 Points to the corresponding Alarm Value registers when reading the ALRMVALH and ALRMVALL registers. The ALRMPTR<1:0> value decrements on every read or write of ALRMVALH until it reaches '00'.  
ALRMVAL<15:8>:  
 00 = ALRMMIN  
 01 = ALRMWD  
 10 = ALRMMNTH  
 11 = Unimplemented  
ALRMVAL<7:0>:  
 00 = ALRMSEC  
 01 = ALRMHR  
 10 = ALRMDAY  
 11 = Unimplemented
- bit 7-0     **ARPT<7:0>:** Alarm Repeat Counter Value bits  
 11111111 = Alarm will repeat 255 more times  
 .  
 .  
 .  
 00000000 = Alarm will not repeat  
 The counter decrements on any alarm event; it is prevented from rolling over from 00h to FFh unless CHIME = 1.

# PIC24FJ64GB004 FAMILY

## 20.2.5 RTCVAL REGISTER MAPPINGS

### REGISTER 20-4: YEAR: YEAR VALUE REGISTER<sup>(1)</sup>

|          |          |          |          |          |          |          |          |
|----------|----------|----------|----------|----------|----------|----------|----------|
| U-0, HSC | U-0, HSC | U-0, HSC | U-0, HSC | U-0, HSC | U-0, HSC | U-0, HSC | U-0, HSC |
| —        | —        | —        | —        | —        | —        | —        | —        |
| bit 15   |          |          |          |          |          |          | bit 8    |

|            |            |            |            |            |            |            |            |
|------------|------------|------------|------------|------------|------------|------------|------------|
| R/W-x, HSC | R/W-x, HSC | R/W-x, HSC | R/W-x, HSC | R/W-x, HSC | R/W-x, HSC | R/W-x, HSC | R/W-x, HSC |
| YRTEN3     | YRTEN2     | YRTEN1     | YRTEN0     | YRONE3     | YRONE2     | YRONE1     | YRONE0     |
| bit 7      |            |            |            |            |            |            | bit 0      |

|                   |                                       |                                    |                    |  |  |  |  |
|-------------------|---------------------------------------|------------------------------------|--------------------|--|--|--|--|
| <b>Legend:</b>    | HSC = Hardware Settable/Clearable bit |                                    |                    |  |  |  |  |
| R = Readable bit  | W = Writable bit                      | U = Unimplemented bit, read as '0' |                    |  |  |  |  |
| -n = Value at POR | '1' = Bit is set                      | '0' = Bit is cleared               | x = Bit is unknown |  |  |  |  |

- bit 15-8      **Unimplemented:** Read as '0'
- bit 7-4      **YRTEN<3:0>:** Binary Coded Decimal Value of Year's Tens Digit bits  
Contains a value from 0 to 9.
- bit 3-0      **YRONE<3:0>:** Binary Coded Decimal Value of Year's Ones Digit bits  
Contains a value from 0 to 9.

**Note 1:** A write to the YEAR register is only allowed when RTCWREN = 1.

### REGISTER 20-5: MTHDY: MONTH AND DAY VALUE REGISTER<sup>(1)</sup>

|          |          |          |            |            |            |            |            |
|----------|----------|----------|------------|------------|------------|------------|------------|
| U-0, HSC | U-0, HSC | U-0, HSC | R/W-x, HSC | R/W-x, HSC | R/W-x, HSC | R/W-x, HSC | R/W-x, HSC |
| —        | —        | —        | MHTTEN0    | MTHONE3    | MTHONE2    | MTHONE1    | MTHONE0    |
| bit 15   |          |          |            |            |            |            | bit 8      |

|          |          |            |            |            |            |            |            |
|----------|----------|------------|------------|------------|------------|------------|------------|
| U-0, HSC | U-0, HSC | R/W-x, HSC | R/W-x, HSC | R/W-x, HSC | R/W-x, HSC | R/W-x, HSC | R/W-x, HSC |
| —        | —        | DAYTEN1    | DAYTEN0    | DAYONE3    | DAYONE2    | DAYONE1    | DAYONE0    |
| bit 7    |          |            |            |            |            |            | bit 0      |

|                   |                                       |                                    |                    |  |  |  |  |
|-------------------|---------------------------------------|------------------------------------|--------------------|--|--|--|--|
| <b>Legend:</b>    | HSC = Hardware Settable/Clearable bit |                                    |                    |  |  |  |  |
| R = Readable bit  | W = Writable bit                      | U = Unimplemented bit, read as '0' |                    |  |  |  |  |
| -n = Value at POR | '1' = Bit is set                      | '0' = Bit is cleared               | x = Bit is unknown |  |  |  |  |

- bit 15-13    **Unimplemented:** Read as '0'
- bit 12      **MHTTEN0:** Binary Coded Decimal Value of Month's Tens Digit bit  
Contains a value of '0' or '1'.
- bit 11-8    **MTHONE<3:0>:** Binary Coded Decimal Value of Month's Ones Digit bits  
Contains a value from 0 to 9.
- bit 7-6     **Unimplemented:** Read as '0'
- bit 5-4     **DAYTEN<1:0>:** Binary Coded Decimal Value of Day's Tens Digit bits  
Contains a value from 0 to 3.
- bit 3-0     **DAYONE<3:0>:** Binary Coded Decimal Value of Day's Ones Digit bits  
Contains a value from 0 to 9.

**Note 1:** A write to this register is only allowed when RTCWREN = 1.

# PIC24FJ64GB004 FAMILY

## REGISTER 20-6: WKDYHR: WEEKDAY AND HOURS VALUE REGISTER<sup>(1)</sup>

|          |          |          |          |          |            |            |            |
|----------|----------|----------|----------|----------|------------|------------|------------|
| U-0, HSC | U-0, HSC | U-0, HSC | U-0, HSC | U-0, HSC | R/W-x, HSC | R/W-x, HSC | R/W-x, HSC |
| —        | —        | —        | —        | —        | WDAY2      | WDAY1      | WDAY0      |
| bit 15   |          |          |          |          |            |            | bit 8      |

|          |          |            |            |            |            |            |            |
|----------|----------|------------|------------|------------|------------|------------|------------|
| U-0, HSC | U-0, HSC | R/W-x, HSC | R/W-x, HSC | R/W-x, HSC | R/W-x, HSC | R/W-x, HSC | R/W-x, HSC |
| —        | —        | HRTEN1     | HRTEN0     | HRONE3     | HRONE2     | HRONE1     | HRONE0     |
| bit 7    |          |            |            |            |            |            | bit 0      |

|                   |                                       |
|-------------------|---------------------------------------|
| <b>Legend:</b>    | HSC = Hardware Settable/Clearable bit |
| R = Readable bit  | W = Writable bit                      |
| -n = Value at POR | '1' = Bit is set                      |
|                   | U = Unimplemented bit, read as '0'    |
|                   | '0' = Bit is cleared                  |
|                   | x = Bit is unknown                    |

- bit 15-11 **Unimplemented:** Read as '0'
- bit 10-8 **WDAY<2:0>:** Binary Coded Decimal Value of Weekday Digit bits  
Contains a value from 0 to 6.
- bit 7-6 **Unimplemented:** Read as '0'
- bit 5-4 **HRTEN<1:0>:** Binary Coded Decimal Value of Hour's Tens Digit bits  
Contains a value from 0 to 2.
- bit 3-0 **HRONE<3:0>:** Binary Coded Decimal Value of Hour's Ones Digit bits  
Contains a value from 0 to 9.

**Note 1:** A write to this register is only allowed when RTCWREN = 1.

## REGISTER 20-7: MINSEC: MINUTES AND SECONDS VALUE REGISTER

|          |            |            |            |            |            |            |            |
|----------|------------|------------|------------|------------|------------|------------|------------|
| U-0, HSC | R/W-x, HSC | R/W-x, HSC | R/W-x, HSC | R/W-x, HSC | R/W-x, HSC | R/W-x, HSC | R/W-x, HSC |
| —        | MINTEN2    | MINTEN1    | MINTEN0    | MINONE3    | MINONE2    | MINONE1    | MINONE0    |
| bit 15   |            |            |            |            |            |            | bit 8      |

|          |            |            |            |            |            |            |            |
|----------|------------|------------|------------|------------|------------|------------|------------|
| U-0, HSC | R/W-x, HSC | R/W-x, HSC | R/W-x, HSC | R/W-x, HSC | R/W-x, HSC | R/W-x, HSC | R/W-x, HSC |
| —        | SECTEN2    | SECTEN1    | SECTEN0    | SECONE3    | SECONE2    | SECONE1    | SECONE0    |
| bit 7    |            |            |            |            |            |            | bit 0      |

|                   |                                       |
|-------------------|---------------------------------------|
| <b>Legend:</b>    | HSC = Hardware Settable/Clearable bit |
| R = Readable bit  | W = Writable bit                      |
| -n = Value at POR | '1' = Bit is set                      |
|                   | U = Unimplemented bit, read as '0'    |
|                   | '0' = Bit is cleared                  |
|                   | x = Bit is unknown                    |

- bit 15 **Unimplemented:** Read as '0'
- bit 14-12 **MINTEN<2:0>:** Binary Coded Decimal Value of Minute's Tens Digit bits  
Contains a value from 0 to 5.
- bit 11-8 **MINONE<3:0>:** Binary Coded Decimal Value of Minute's Ones Digit bits  
Contains a value from 0 to 9.
- bit 7 **Unimplemented:** Read as '0'
- bit 6-4 **SECTEN<2:0>:** Binary Coded Decimal Value of Second's Tens Digit bits  
Contains a value from 0 to 5.
- bit 3-0 **SECONE<3:0>:** Binary Coded Decimal Value of Second's Ones Digit bits  
Contains a value from 0 to 9.

# PIC24FJ64GB004 FAMILY

## 20.2.6 ALRMVAL REGISTER MAPPINGS

### REGISTER 20-8: ALMTHDY: ALARM MONTH AND DAY VALUE REGISTER<sup>(1)</sup>

|        |     |     |         |         |         |         |         |       |
|--------|-----|-----|---------|---------|---------|---------|---------|-------|
| U-0    | U-0 | U-0 | R/W-x   | R/W-x   | R/W-x   | R/W-x   | R/W-x   |       |
| —      | —   | —   | MHTTEN0 | MTHONE3 | MTHONE2 | MTHONE1 | MTHONE0 |       |
| bit 15 |     |     |         |         |         |         |         | bit 8 |

|       |     |         |         |         |         |         |         |
|-------|-----|---------|---------|---------|---------|---------|---------|
| U-0   | U-0 | R/W-x   | R/W-x   | R/W-x   | R/W-x   | R/W-x   | R/W-x   |
| —     | —   | DAYTEN1 | DAYTEN0 | DAYONE3 | DAYONE2 | DAYONE1 | DAYONE0 |
| bit 7 |     |         |         |         |         | bit 0   |         |

#### Legend:

R = Readable bit      W = Writable bit      U = Unimplemented bit, read as '0'  
 -n = Value at POR      '1' = Bit is set      '0' = Bit is cleared      x = Bit is unknown

- bit 15-13      **Unimplemented:** Read as '0'
- bit 12      **MHTTEN0:** Binary Coded Decimal Value of Month's Tens Digit bit  
Contains a value of '0' or '1'.
- bit 11-8      **MTHONE<3:0>:** Binary Coded Decimal Value of Month's Ones Digit bits  
Contains a value from 0 to 9.
- bit 7-6      **Unimplemented:** Read as '0'
- bit 5-4      **DAYTEN<1:0>:** Binary Coded Decimal Value of Day's Tens Digit bits  
Contains a value from 0 to 3.
- bit 3-0      **DAYONE<3:0>:** Binary Coded Decimal Value of Day's Ones Digit bits  
Contains a value from 0 to 9.

**Note 1:** A write to this register is only allowed when RTCWREN = 1.

### REGISTER 20-9: ALWDHR: ALARM WEEKDAY AND HOURS VALUE REGISTER<sup>(1)</sup>

|        |     |     |     |     |       |       |       |
|--------|-----|-----|-----|-----|-------|-------|-------|
| U-0    | U-0 | U-0 | U-0 | U-0 | R/W-x | R/W-x | R/W-x |
| —      | —   | —   | —   | —   | WDAY2 | WDAY1 | WDAY0 |
| bit 15 |     |     |     |     |       |       | bit 8 |

|       |     |        |        |        |        |        |        |
|-------|-----|--------|--------|--------|--------|--------|--------|
| U-0   | U-0 | R/W-x  | R/W-x  | R/W-x  | R/W-x  | R/W-x  | R/W-x  |
| —     | —   | HRTEN1 | HRTEN0 | HRONE3 | HRONE2 | HRONE1 | HRONE0 |
| bit 7 |     |        |        |        |        | bit 0  |        |

#### Legend:

R = Readable bit      W = Writable bit      U = Unimplemented bit, read as '0'  
 -n = Value at POR      '1' = Bit is set      '0' = Bit is cleared      x = Bit is unknown

- bit 15-11      **Unimplemented:** Read as '0'
- bit 10-8      **WDAY<2:0>:** Binary Coded Decimal Value of Weekday Digit bits  
Contains a value from 0 to 6.
- bit 7-6      **Unimplemented:** Read as '0'
- bit 5-4      **HRTEN<1:0>:** Binary Coded Decimal Value of Hour's Tens Digit bits  
Contains a value from 0 to 2.
- bit 3-0      **HRONE<3:0>:** Binary Coded Decimal Value of Hour's Ones Digit bits  
Contains a value from 0 to 9.

**Note 1:** A write to this register is only allowed when RTCWREN = 1.



# PIC24FJ64GB004 FAMILY

## REGISTER 20-10: ALMINSEC: ALARM MINUTES AND SECONDS VALUE REGISTER

|        |         |         |         |         |         |         |         |
|--------|---------|---------|---------|---------|---------|---------|---------|
| U-0    | R/W-x   | R/W-x   | R/W-x   | R/W-x   | R/W-x   | R/W-x   | R/W-x   |
| —      | MINTEN2 | MINTEN1 | MINTEN0 | MINONE3 | MINONE2 | MINONE1 | MINONE0 |
| bit 15 |         |         |         |         |         |         | bit 8   |

|       |         |         |         |         |         |         |         |
|-------|---------|---------|---------|---------|---------|---------|---------|
| U-0   | R/W-x   | R/W-x   | R/W-x   | R/W-x   | R/W-x   | R/W-x   | R/W-x   |
| —     | SECTEN2 | SECTEN1 | SECTEN0 | SECONE3 | SECONE2 | SECONE1 | SECONE0 |
| bit 7 |         |         |         |         |         |         | bit 0   |

### Legend:

R = Readable bit

W = Writable bit

U = Unimplemented bit, read as '0'

-n = Value at POR

'1' = Bit is set

'0' = Bit is cleared

x = Bit is unknown

- bit 15      **Unimplemented:** Read as '0'
- bit 14-12    **MINTEN<2:0>:** Binary Coded Decimal Value of Minute's Tens Digit bits  
Contains a value from 0 to 5.
- bit 11-8     **MINONE<3:0>:** Binary Coded Decimal Value of Minute's Ones Digit bits  
Contains a value from 0 to 9.
- bit 7        **Unimplemented:** Read as '0'
- bit 6-4      **SECTEN<2:0>:** Binary Coded Decimal Value of Second's Tens Digit bits  
Contains a value from 0 to 5.
- bit 3-0     **SECONE<3:0>:** Binary Coded Decimal Value of Second's Ones Digit bits  
Contains a value from 0 to 9.

# PIC24FJ64GB004 FAMILY

## 20.3 Calibration

The real-time crystal input can be calibrated using the periodic auto-adjust feature. When calibrated, the RTCC can provide an error of less than 3 seconds per month. This is accomplished by finding the number of error clock pulses and storing the value into the lower half of the RCFGAL register. The 8-bit signed value loaded into the lower half of RCFGAL is multiplied by four and will either be added or subtracted from the RTCC timer, once every minute. Refer to the steps below for RTCC calibration:

1. Using another timer resource on the device; the user must find the error of the 32.768 kHz crystal.
2. Once the error is known, it must be converted to the number of error clock pulses per minute.
3.
  - a) If the oscillator is faster than ideal (negative result from step 2), the RCFGAL register value must be negative. This causes the specified number of clock pulses to be subtracted from the timer counter, once every minute.
  - b) If the oscillator is slower than ideal (positive result from step 2), the RCFGAL register value must be positive. This causes the specified number of clock pulses to be subtracted from the timer counter, once every minute.

Divide the number of error clocks per minute by 4 to get the correct calibration value and load the RCFGAL register with the correct value. (Each 1-bit increment in the calibration adds or subtracts 4 pulses.)

### EQUATION 20-1:

$$(\text{Ideal Frequency} \dagger - \text{Measured Frequency}) * 60 = \text{Clocks per Minute}$$

$$\dagger \text{ Ideal Frequency} = 32,768 \text{ Hz}$$

Writes to the lower half of the RCFGAL register should only occur when the timer is turned off or immediately after the rising edge of the seconds pulse.

**Note:** It is up to the user to include, in the error value, the initial error of the crystal drift due to temperature and drift due to crystal aging.

## 20.4 Alarm

- Configurable from half second to one year
- Enabled using the ALRMEN bit (ALCFGRPT<15>)
- One-time alarm and repeat alarm options are available

### 20.4.1 CONFIGURING THE ALARM

The alarm feature is enabled using the ALRMEN bit. This bit is cleared when an alarm is issued. Writes to ALRMVAL should only take place when ALRMEN = 0.

As displayed in Figure 20-2, the interval selection of the alarm is configured through the AMASK bits (ALCFGRPT<13:10>). These bits determine which and how many digits of the alarm must match the clock value for the alarm to occur.

The alarm can also be configured to repeat based on a preconfigured interval. The amount of times this occurs, once the alarm is enabled, is stored in the ARPT<7:0> bits (ALCFGRPT<7:0>). When the value of the ARPT bits equals 00h and the CHIME bit (ALCFGRPT<14>) is cleared, the repeat function is disabled and only a single alarm will occur. The alarm can be repeated up to 255 times by loading ARPT<7:0> with FFh.

After each alarm is issued, the value of the ARPT bits is decremented by one. Once the value has reached 00h, the alarm will be issued one last time, after which, the ALRMEN bit will be cleared automatically and the alarm will turn off.

Indefinite repetition of the alarm can occur if the CHIME bit = 1. Instead of the alarm being disabled when the value of the ARPT bits reaches 00h, it rolls over to FFh and continues counting indefinitely while CHIME is set.

### 20.4.2 ALARM INTERRUPT

At every alarm event, an interrupt is generated. In addition, an alarm pulse output is provided that operates at half the frequency of the alarm. This output is completely synchronous to the RTCC clock and can be used as a trigger clock to other peripherals.

**Note:** Changing any of the registers, other than the RCFGAL and ALCFGRPT registers, and the CHIME bit while the alarm is enabled (ALRMEN = 1), can result in a false alarm event leading to a false alarm interrupt. To avoid a false alarm event, the timer and alarm values should only be changed while the alarm is disabled (ALRMEN = 0). It is recommended that the ALCFGRPT register and CHIME bit be changed when RTCSYNC = 0.

# PIC24FJ64GB004 FAMILY

**FIGURE 20-2: ALARM MASK SETTINGS**

| Alarm Mask Setting<br>(AMASK<3:0>)              | Day of<br>the<br>Week    | Month                                             | Day                                                 | Hours                                                                                                                                                     | Minutes | Seconds                                               |
|-------------------------------------------------|--------------------------|---------------------------------------------------|-----------------------------------------------------|-----------------------------------------------------------------------------------------------------------------------------------------------------------|---------|-------------------------------------------------------|
| 0000 - Every half second<br>0001 - Every second | <input type="checkbox"/> | <input type="checkbox"/> <input type="checkbox"/> | / <input type="checkbox"/> <input type="checkbox"/> | <input type="checkbox"/> <input type="checkbox"/> : <input type="checkbox"/> <input type="checkbox"/> : <input type="checkbox"/> <input type="checkbox"/> |         |                                                       |
| 0010 - Every 10 seconds                         | <input type="checkbox"/> | <input type="checkbox"/> <input type="checkbox"/> | / <input type="checkbox"/> <input type="checkbox"/> | <input type="checkbox"/> <input type="checkbox"/> : <input type="checkbox"/> <input type="checkbox"/> : <input type="checkbox"/> <input type="checkbox"/> |         | <input type="checkbox"/> s                            |
| 0011 - Every minute                             | <input type="checkbox"/> | <input type="checkbox"/> <input type="checkbox"/> | / <input type="checkbox"/> <input type="checkbox"/> | <input type="checkbox"/> <input type="checkbox"/> : <input type="checkbox"/> <input type="checkbox"/> : <input type="checkbox"/> <input type="checkbox"/> |         | <input type="checkbox"/> s <input type="checkbox"/> s |
| 0100 - Every 10 minutes                         | <input type="checkbox"/> | <input type="checkbox"/> <input type="checkbox"/> | / <input type="checkbox"/> <input type="checkbox"/> | <input type="checkbox"/> <input type="checkbox"/> : <input type="checkbox"/> m : <input type="checkbox"/> <input type="checkbox"/>                        |         | <input type="checkbox"/> s <input type="checkbox"/> s |
| 0101 - Every hour                               | <input type="checkbox"/> | <input type="checkbox"/> <input type="checkbox"/> | / <input type="checkbox"/> <input type="checkbox"/> | <input type="checkbox"/> <input type="checkbox"/> : m m : <input type="checkbox"/> <input type="checkbox"/>                                               |         | <input type="checkbox"/> s <input type="checkbox"/> s |
| 0110 - Every day                                | <input type="checkbox"/> | <input type="checkbox"/> <input type="checkbox"/> | / <input type="checkbox"/> <input type="checkbox"/> | h h : m m : <input type="checkbox"/> <input type="checkbox"/>                                                                                             |         | <input type="checkbox"/> s <input type="checkbox"/> s |
| 0111 - Every week                               | d                        | <input type="checkbox"/> <input type="checkbox"/> | / <input type="checkbox"/> <input type="checkbox"/> | h h : m m : <input type="checkbox"/> <input type="checkbox"/>                                                                                             |         | <input type="checkbox"/> s <input type="checkbox"/> s |
| 1000 - Every month                              | <input type="checkbox"/> | <input type="checkbox"/> <input type="checkbox"/> | /d d                                                | h h : m m : <input type="checkbox"/> <input type="checkbox"/>                                                                                             |         | <input type="checkbox"/> s <input type="checkbox"/> s |
| 1001 - Every year <sup>(1)</sup>                | <input type="checkbox"/> | m m                                               | /d d                                                | h h : m m : <input type="checkbox"/> <input type="checkbox"/>                                                                                             |         | <input type="checkbox"/> s <input type="checkbox"/> s |

**Note 1:** Annually, except when configured for February 29.

# PIC24FJ64GB004 FAMILY

---

NOTES:

# PIC24FJ64GB004 FAMILY

## 21.0 32-BIT PROGRAMMABLE CYCLIC REDUNDANCY CHECK (CRC) GENERATOR

**Note:** This data sheet summarizes the features of this group of PIC24F devices. It is not intended to be a comprehensive reference source. For more information, refer to the "PIC24F Family Reference Manual", Section 41. "32-Bit Programmable Cyclic Redundancy Check (CRC)" (DS39729).

The programmable CRC generator provides a hardware-implemented method of quickly generating checksums for various networking and security applications. It offers the following features:

- User-programmable CRC polynomial equation, up to 32 bits
- Programmable shift direction (little or big-endian)
- Independent data and polynomial lengths
- Configurable Interrupt output
- Data FIFO

A simplified block diagram of the CRC generator is shown in Figure 21-1. A simple version of the CRC shift engine is shown in Figure 21-2.

**FIGURE 21-1: CRC BLOCK DIAGRAM**



**FIGURE 21-2: CRC SHIFT ENGINE DETAIL**



# PIC24FJ64GB004 FAMILY

## 21.1 User Interface

### 21.1.1 POLYNOMIAL INTERFACE

The CRC module can be programmed for CRC polynomials of up to the 32nd order, using up to 32 bits. Polynomial length, which reflects the highest exponent in the equation, is selected by the PLEN<4:0> bits (CRCCON2<4:0>).

The CRCXORL and CRCXORH registers control which exponent terms are included in the equation. Setting a particular bit includes that exponent term in the equation; functionally, this includes an XOR operation on the corresponding bit in the CRC engine. Clearing the bit disables the XOR.

For example, consider two CRC polynomials, one a 16-bit equation and the other a 32-bit equation:

|                                                                                                               |
|---------------------------------------------------------------------------------------------------------------|
| $x^{16} + x^{12} + x^5 + 1$                                                                                   |
| <p style="text-align: center;">and</p>                                                                        |
| $x^{32} + x^{26} + x^{23} + x^{22} + x^{16} + x^{12} + x^{11} + x^{10} + x^8 + x^7 + x^5 + x^4 + x^2 + x + 1$ |

To program these polynomials into the CRC generator, set the register bits as shown in Table 21-1.

Note that the appropriate positions are set to '1' to indicate that they are used in the equation (for example, X26 and X23). The 0 bit required by the equation is always XORed; thus, X0 is a don't care. For a polynomial of length N, it is assumed that the Nth bit will always be used, regardless of the bit setting. Therefore, for a polynomial length of 32, there is no 32nd bit in the CRCxOR register.

### 21.1.2 DATA INTERFACE

The module incorporates a FIFO that works with a variable data width. Input data width can be configured to any value between one and 32 bits using the DWIDTH<4:0> bits (CRCCON2<12:8>). When the data width is greater than 15, the FIFO is four words deep. When the DWIDTH value is between 15 and 8, the FIFO is 8 words deep. When the DWIDTH value is less than 8, the FIFO is 16 words deep.

The data for which the CRC is to be calculated must first be written into the FIFO. Even if the data width is less than 8, the smallest data element that can be written into the FIFO is one byte. For example, if the DWIDTH value is five, then the size of the data is DWIDTH + 1, or six. The data is written as a whole byte; the two unused upper bits are ignored by the module.

Once data is written into the MSb of the CRCDAT registers (that is, MSb as defined by the data width), the value of the VWORD<4:0> bits (CRCCON1<12:8>) increments by one. For example, if the DWIDTH value is 24, the VWORD bits will increment when bit 7 of CRCDAT is written. Therefore, CRCDATL must always be written before CRCDATAH.

The CRC engine starts shifting data when the CRCGO bit is set and the value of VWORD is greater than zero. Each word is copied out of the FIFO into a buffer register, which decrements VWORD. The data is then shifted out of the buffer. The CRC engine continues shifting at a rate of two bits per instruction cycle, until the VWORD value reaches zero. This means that for a given data width, it takes half that number of instructions for each word to complete the calculation. For example, it takes 16 cycles to calculate the CRC for a single word of 32-bit data.

When the VWORD value reaches the maximum value for the configured value of DWIDTH (4, 8 or 16), the CRCFUL bit becomes set. When the VWORD value reaches zero, the CRCMPT bit becomes set. The FIFO is emptied and VWORD<4:0> are set to '00000' whenever CRCEN is '0'.

At least one instruction cycle must pass, after a write to CRCDAT, before a read of the VWORD bits is done.

**TABLE 21-1: CRC SETUP EXAMPLES FOR 16 AND 32-BIT POLYNOMIAL**

| CRC Control Bits | Bit Values          |                     |
|------------------|---------------------|---------------------|
|                  | 16-Bit Polynomial   | 32-Bit Polynomial   |
| PLEN<4:0>        | 01111               | 11111               |
| X<31:16>         | 0000 0000 0000 000x | 0000 0100 1100 0001 |
| X<15:0>          | 0001 0000 0010 000x | 0001 1101 1011 011x |

## 21.1.3 DATA SHIFT DIRECTION

The LENDIAN bit (CRCCON1<3>) is used to control the shift direction. By default, the CRC will shift data through the engine, MSb first. Setting LENDIAN (= 1) causes the CRC to shift data, LSb first. This setting allows better integration with various communication schemes and removes the overhead of reversing the bit order in software. Note that this only changes the direction of the data that is shifted into the engine. The result of the CRC calculation will still be a normal CRC result, not a reverse CRC result.

## 21.1.4 INTERRUPT OPERATION

The module generates an interrupt that is configurable by the user for either of two conditions.

If CRCISEL is '0', an interrupt is generated when the VWORD<4:0> bits make a transition from a value of '1' to '0'. If CRCISEL is '1', an interrupt will be generated after the CRC operation finishes and the module sets the CRCGO bit to '0'. Manually setting CRCGO to '0' will not generate an interrupt.

## 21.1.5 TYPICAL OPERATION

To use the module for a typical CRC calculation:

1. Set the CRCEN bit to enable the module.
2. Configure the module for the desired operation:
  - a) Program the desired polynomial using the CRCXORL and CRCXORH registers, and the PLEN<4:0> bits
  - b) Configure the data width and shift direction using the DWIDTH and LENDIAN bits
  - c) Select the desired interrupt mode using the CRCISEL bit
3. Preload the FIFO by writing to the CRCDATL and CRCDATH registers until the CRCFUL bit is set or no data is left
4. Clear old results by writing 00h to CRCWDATL and CRCWDATH. CRCWDAT can also be left unchanged to resume a previously halted calculation.
5. Set the CRCGO bit to start calculation.
6. Write remaining data into the FIFO as space becomes available.
7. When the calculation completes, CRCGO is automatically cleared. An interrupt will be generated if CRCISEL = 1.
8. Read CRCWDATL and CRCWDATH for the result of the calculation.

## 21.2 Registers

There are eight registers associated with the module:

- CRCCON1
- CRCCON2
- CRCXORL
- CRCXORH
- CRCDATL
- CRCDATH
- CRCWDATL
- CRCWDATH

The CRCCON1 and CRCCON2 registers (Register 21-1 and Register 21-2) control the operation of the module and configure the various settings. The CRCXOR registers (Register 21-3 and Register 21-4) select the polynomial terms to be used in the CRC equation. The CRCDAT and CRCWDAT registers are each register pairs that serve as buffers for the double-word, input data and CRC processed output, respectively.

# PIC24FJ64GB004 FAMILY

## REGISTER 21-1: CRCCON1: CRC CONTROL REGISTER 1

|        |     |       |        |        |        |        |        |
|--------|-----|-------|--------|--------|--------|--------|--------|
| R/W-0  | U-0 | R/W-0 | R-0    | R-0    | R-0    | R-0    | R-0    |
| CRCCEN | —   | CSIDL | VWORD4 | VWORD3 | VWORD2 | VWORD1 | VWORD0 |
| bit 15 |     |       |        |        |        |        | bit 8  |

|          |          |         |           |         |     |     |       |
|----------|----------|---------|-----------|---------|-----|-----|-------|
| R-0, HCS | R-1, HCS | R/W-0   | R/W-0, HC | R/W-0   | U-0 | U-0 | U-0   |
| CRCFUL   | CRCMPT   | CRCISEL | CRCGO     | LENDIAN | —   | —   | —     |
| bit 7    |          |         |           |         |     |     | bit 0 |

|                   |                             |                                              |
|-------------------|-----------------------------|----------------------------------------------|
| <b>Legend:</b>    | HC = Hardware Clearable bit | HCS = Hardware Clearable/Settable bit        |
| R = Readable bit  | W = Writable bit            | U = Unimplemented bit, read as '0'           |
| -n = Value at POR | '1' = Bit is set            | '0' = Bit is cleared      x = Bit is unknown |

- bit 15      **CRCCEN:** CRC Enable bit  
 1 = Module is enabled  
 0 = Module is disabled. All state machines, pointers and CRCWDAT/CRCDAT are reset; other SFRs are NOT reset
- bit 14      **Unimplemented:** Read as '0'
- bit 13      **CSIDL:** CRC Stop in Idle Mode bit  
 1 = Discontinue module operation when device enters Idle mode  
 0 = Continue module operation in Idle mode
- bit 12-8    **VWORD<4:0>:** Pointer Value bits  
 Indicates the number of valid words in the FIFO. Has a maximum value of 8 when PLEN<3:0> > 7 or 16 when PLEN<3:0> ≤ 7.
- bit 7      **CRCFUL:** FIFO Full bit  
 1 = FIFO is full  
 0 = FIFO is not full
- bit 6      **CRCMPT:** FIFO Empty Bit  
 1 = FIFO is empty  
 0 = FIFO is not empty
- bit 5      **CRCISEL:** CRC interrupt Selection bit  
 1 = Interrupt on FIFO is empty; CRC calculation is not complete  
 0 = Interrupt on shift is complete and CRCWDAT result is ready
- bit 4      **CRCGO:** Start CRC bit  
 1 = Start CRC serial shifter  
 0 = CRC serial shifter is turned off
- bit 3      **LENDIAN:** Data Shift Direction Select bit  
 1 = Data word is shifted into the CRC starting with the LSb (little endian)  
 0 = Data word is shifted into the CRC starting with the MSb (big endian)
- bit 2-0    **Unimplemented:** Read as '0'



# PIC24FJ64GB004 FAMILY

## REGISTER 21-2: CRCCON2: CRC CONTROL REGISTER 2

|        |     |     |         |         |         |         |         |
|--------|-----|-----|---------|---------|---------|---------|---------|
| U-0    | U-0 | U-0 | R/W-0   | R/W-0   | R/W-0   | R/W-0   | R/W-0   |
| —      | —   | —   | DWIDTH4 | DWIDTH3 | DWIDTH2 | DWIDTH1 | DWIDTH0 |
| bit 15 |     |     |         |         |         |         | bit 8   |

|       |     |     |       |       |       |       |       |
|-------|-----|-----|-------|-------|-------|-------|-------|
| U-0   | U-0 | U-0 | R/W-0 | R/W-0 | R/W-0 | R/W-0 | R/W-0 |
| —     | —   | —   | PLEN4 | PLEN3 | PLEN2 | PLEN1 | PLEN0 |
| bit 7 |     |     |       |       |       |       | bit 0 |

### Legend:

R = Readable bit                      W = Writable bit                      U = Unimplemented bit, read as '0'  
 -n = Value at POR                      '1' = Bit is set                      '0' = Bit is cleared                      x = Bit is unknown

- bit 15-13     **Unimplemented:** Read as '0'
- bit 12-8     **DWIDTH<4:0>:** Data Width Select bits  
 Defines the width of the data word (Data Word Width = (DWIDTH<4:0>) + 1).
- bit 7-5      **Unimplemented:** Read as '0'
- bit 4-0      **PLEN<4:0>:** Polynomial Length Select bits  
 Defines the length of the CRC polynomial (Polynomial Length = (PLEN<4:0>) + 1).

## REGISTER 21-3: CRCXORL: CRC XOR POLYNOMIAL REGISTER, LOW BYTE

|        |       |       |       |       |       |       |       |
|--------|-------|-------|-------|-------|-------|-------|-------|
| R/W-0  | R/W-0 | R/W-0 | R/W-0 | R/W-0 | R/W-0 | R/W-0 | R/W-0 |
| X15    | X14   | X13   | X12   | X11   | X10   | X9    | X8    |
| bit 15 |       |       |       |       |       |       | bit 8 |

|       |       |       |       |       |       |       |       |
|-------|-------|-------|-------|-------|-------|-------|-------|
| R/W-0 | R/W-0 | R/W-0 | R/W-0 | R/W-0 | R/W-0 | R/W-0 | U-0   |
| X7    | X6    | X5    | X4    | X3    | X2    | X1    | —     |
| bit 7 |       |       |       |       |       |       | bit 0 |

### Legend:

R = Readable bit                      W = Writable bit                      U = Unimplemented bit, read as '0'  
 -n = Value at POR                      '1' = Bit is set                      '0' = Bit is cleared                      x = Bit is unknown

- bit 15-1     **X<15:1>:** XOR of Polynomial Term X<sup>n</sup> Enable bits
- bit 0        **Unimplemented:** Read as '0'

# PIC24FJ64GB004 FAMILY

---

## REGISTER 21-4: CRCXORH: CRC XOR POLYNOMIAL REGISTER, HIGH BYTE

|        |       |       |       |       |       |       |       |
|--------|-------|-------|-------|-------|-------|-------|-------|
| R/W-0  | R/W-0 | R/W-0 | R/W-0 | R/W-0 | R/W-0 | R/W-0 | R/W-0 |
| X31    | X30   | X29   | X28   | X27   | X26   | X25   | X24   |
| bit 15 |       |       |       |       |       |       | bit 8 |

|       |       |       |       |       |       |       |       |
|-------|-------|-------|-------|-------|-------|-------|-------|
| R/W-0 | R/W-0 | R/W-0 | R/W-0 | R/W-0 | R/W-0 | R/W-0 | R/W-0 |
| X23   | X22   | X21   | X20   | X19   | X18   | X17   | X16   |
| bit 7 |       |       |       |       |       |       | bit 0 |

### Legend:

R = Readable bit

W = Writable bit

U = Unimplemented bit, read as '0'

-n = Value at POR

'1' = Bit is set

'0' = Bit is cleared

x = Bit is unknown

bit 15-0      **X<31:16>**: XOR of Polynomial Term  $X^n$  Enable bits

## 22.0 10-BIT HIGH-SPEED A/D CONVERTER

**Note:** This data sheet summarizes the features of this group of PIC24F devices. It is not intended to be a comprehensive reference source. For more information, refer to the “PIC24F Family Reference Manual”, Section 17. “10-Bit A/D Converter” (DS39705).

The 10-bit A/D Converter has the following key features:

- Successive Approximation (SAR) conversion
- Conversion speeds of up to 500 ksps
- 13 analog input pins
- External voltage reference input pins
- Internal band gap reference inputs
- Automatic Channel Scan mode
- Selectable conversion trigger source
- 16-word conversion result buffer
- Selectable Buffer Fill modes
- Four result alignment options
- Operation during CPU Sleep and Idle modes

On all PIC24FJ64GB004 family devices, the 10-bit A/D Converter has 13 analog input pins, designated AN0 through AN12. In addition, there are two analog input pins for external voltage reference connections (VREF+ and VREF-). These voltage reference inputs may be shared with other analog input pins.

A block diagram of the A/D Converter is shown in Figure 22-1.

To perform an A/D conversion:

1. Configure the A/D module:
  - a) Configure port pins as analog inputs and/or select band gap reference inputs (AD1PCFGL<15:0> and AD1PCFGH<1:0>).
  - b) Select voltage reference source to match expected range on analog inputs (AD1CON2<15:13>).
  - c) Select the analog conversion clock to match the desired data rate with the processor clock (AD1CON3<7:0>).
  - d) Select the appropriate sample/conversion sequence (AD1CON1<7:5> and AD1CON3<12:8>).
  - e) Select how conversion results are presented in the buffer (AD1CON1<9:8>).
  - f) Select interrupt rate (AD1CON2<5:2>).
  - g) Turn on A/D module (AD1CON1<15>).
2. Configure the A/D interrupt (if required):
  - a) Clear the AD1IF bit.
  - b) Select A/D interrupt priority.

# PIC24FJ64GB004 FAMILY

FIGURE 22-1: 10-BIT HIGH-SPEED A/D CONVERTER BLOCK DIAGRAM



# PIC24FJ64GB004 FAMILY

## REGISTER 22-1: AD1CON1: A/D CONTROL REGISTER 1

|                     |     |        |     |     |     |       |       |
|---------------------|-----|--------|-----|-----|-----|-------|-------|
| R/W-0               | U-0 | R/W-0  | U-0 | U-0 | U-0 | R/W-0 | R/W-0 |
| ADON <sup>(1)</sup> | —   | ADSIDL | —   | —   | —   | FORM1 | FORM0 |
| bit 15              |     |        |     |     |     | bit 8 |       |

|       |       |       |     |     |       |            |            |
|-------|-------|-------|-----|-----|-------|------------|------------|
| R/W-0 | R/W-0 | R/W-0 | U-0 | U-0 | R/W-0 | R/W-0, HCS | R/C-0, HCS |
| SSRC2 | SSRC1 | SSRC0 | —   | —   | ASAM  | SAMP       | DONE       |
| bit 7 |       |       |     |     |       | bit 0      |            |

|                   |                   |                                       |
|-------------------|-------------------|---------------------------------------|
| <b>Legend:</b>    | C = Clearable bit | HCS = Hardware Clearable/Settable bit |
| R = Readable bit  | W = Writable bit  | U = Unimplemented bit, read as '0'    |
| -n = Value at POR | '1' = Bit is set  | '0' = Bit is cleared                  |
|                   |                   | x = Bit is unknown                    |

- bit 15     **ADON:** A/D Operating Mode bit<sup>(1)</sup>  
           1 = A/D Converter module is operating  
           0 = A/D Converter is off
- bit 14     **Unimplemented:** Read as '0'
- bit 13     **ADSIDL:** Stop in Idle Mode bit  
           1 = Discontinue module operation when device enters Idle mode  
           0 = Continue module operation in Idle mode
- bit 12-10   **Unimplemented:** Read as '0'
- bit 9-8     **FORM<1:0>:** Data Output Format bits  
           11 = Signed fractional (sddd dddd dd00 0000)  
           10 = Fractional (dddd dddd dd00 0000)  
           01 = Signed integer (ssss sssd dddd dddd)  
           00 = Integer (0000 00dd dddd dddd)
- bit 7-5     **SSRC<2:0>:** Conversion Trigger Source Select bits  
           111 = Internal counter ends sampling and starts conversion (auto-convert)  
           110 = CTMU event ends sampling and starts conversion  
           101 = Reserved  
           100 = Timer5 compare ends sampling and starts conversion  
           011 = Reserved  
           010 = Timer3 compare ends sampling and starts conversion  
           001 = Active transition on INT0 pin ends sampling and starts conversion  
           000 = Clearing the SAMP bit ends sampling and starts conversion
- bit 4-3     **Unimplemented:** Read as '0'
- bit 2       **ASAM:** A/D Sample Auto-Start bit  
           1 = Sampling begins immediately after the last conversion completes; SAMP bit is auto-set  
           0 = Sampling begins when the SAMP bit is set
- bit 1       **SAMP:** A/D Sample Enable bit  
           1 = A/D sample/hold amplifier is sampling input  
           0 = A/D sample/hold amplifier is holding
- bit 0       **DONE:** A/D Conversion Status bit  
           1 = A/D conversion is done  
           0 = A/D conversion is NOT done

**Note 1:** Values of ADC1BUFx registers will not retain their values once the ADON bit is cleared. Read out the conversion values from the buffer before disabling the module.

# PIC24FJ64GB004 FAMILY

## REGISTER 22-2: AD1CON2: A/D CONTROL REGISTER 2

|        |       |       |     |     |       |       |     |
|--------|-------|-------|-----|-----|-------|-------|-----|
| R/W-0  | R/W-0 | R/W-0 | r-0 | U-0 | R/W-0 | U-0   | U-0 |
| VCFG2  | VCFG1 | VCFG0 | r   | —   | CSCNA | —     | —   |
| bit 15 |       |       |     |     |       | bit 8 |     |

|       |     |       |       |       |       |       |       |
|-------|-----|-------|-------|-------|-------|-------|-------|
| R-0   | U-0 | R/W-0 | R/W-0 | R/W-0 | R/W-0 | R/W-0 | R/W-0 |
| BUFS  | —   | SMPI3 | SMPI2 | SMPI1 | SMPI0 | BUFM  | ALTS  |
| bit 7 |     |       |       |       |       | bit 0 |       |

|                   |                      |                                    |
|-------------------|----------------------|------------------------------------|
| <b>Legend:</b>    | r = Reserved bit     | U = Unimplemented bit, read as '0' |
| R = Readable bit  | W = Writable bit     | '1' = Bit is set                   |
| -n = Value at POR | '0' = Bit is cleared | x = Bit is unknown                 |

bit 15-13 **VCFG<2:0>**: Voltage Reference Configuration bits

| VCFG<2:0> | VR+                | VR-                |
|-----------|--------------------|--------------------|
| 000       | AVDD               | AVSS               |
| 001       | External VREF+ pin | AVSS               |
| 010       | AVDD               | External VREF- pin |
| 011       | External VREF+ pin | External VREF- pin |
| 1xx       | AVDD               | AVSS               |

bit 12 **Reserved:** Maintain as '0'

bit 11 **Unimplemented:** Read as '0'

bit 10 **CSCNA:** Scan Input Selections for CH0+ S/H Input for MUX A Input Multiplexer Setting bit

- 1 = Scan inputs
- 0 = Do not scan inputs

bit 9-8 **Unimplemented:** Read as '0'

bit 7 **BUFS:** Buffer Fill Status bit (valid only when BUFM = 1)

- 1 = A/D is currently filling buffer 08-0F; user should access data in 00-07
- 0 = A/D is currently filling buffer 00-07; user should access data in 08-0F

bit 6 **Unimplemented:** Read as '0'

bit 5-2 **SMPI<3:0>**: Sample/Convert Sequences Per Interrupt Selection bits

- 1111 = Interrupts are at the completion of conversion for each 16th sample/convert sequence
- 1110 = Interrupts are at the completion of conversion for each 15th sample/convert sequence
- .....
- 0001 = Interrupts are at the completion of conversion for each 2nd sample/convert sequence
- 0000 = Interrupts are at the completion of conversion for each sample/convert sequence

bit 1 **BUFM:** Buffer Mode Select bit

- 1 = Buffer is configured as two 8-word buffers (ADC1BUFn<15:8> and ADC1BUFn<7:0>)
- 0 = Buffer is configured as one 16-word buffer (ADC1BUFn<15:0>)

bit 0 **ALTS:** Alternate Input Sample Mode Select bit

- 1 = Uses MUX A input multiplexer settings for first sample, then alternates between MUX B and MUX A input multiplexer settings for all subsequent samples
- 0 = Always uses MUX A input multiplexer settings

# PIC24FJ64GB004 FAMILY

## REGISTER 22-3: AD1CON3: A/D CONTROL REGISTER 3

|        |     |     |       |       |       |       |       |
|--------|-----|-----|-------|-------|-------|-------|-------|
| R/W-0  | r-0 | r-0 | R/W-0 | R/W-0 | R/W-0 | R/W-0 | R/W-0 |
| ADRC   | r   | r   | SAMC4 | SAMC3 | SAMC2 | SAMC1 | SAMC0 |
| bit 15 |     |     |       |       |       |       | bit 8 |

|       |       |       |       |       |       |       |       |
|-------|-------|-------|-------|-------|-------|-------|-------|
| R/W-0 | R/W-0 | R/W-0 | R/W-0 | R/W-0 | R/W-0 | R/W-0 | R/W-0 |
| ADCS7 | ADCS6 | ADCS5 | ADCS4 | ADCS3 | ADCS2 | ADCS1 | ADCS0 |
| bit 7 |       |       |       |       |       |       | bit 0 |

|                   |                  |                                    |
|-------------------|------------------|------------------------------------|
| <b>Legend:</b>    | r = Reserved bit | U = Unimplemented bit, read as '0' |
| R = Readable bit  | W = Writable bit | '0' = Bit is cleared               |
| -n = Value at POR | '1' = Bit is set | x = Bit is unknown                 |

bit 15     **ADRC:** A/D Conversion Clock Source bit  
           1 = A/D internal RC clock  
           0 = Clock derived from system clock

bit 14-13   **Reserved:** Maintain as '0'

bit 12-8    **SAMC<4:0>:** Auto-Sample Time bits  
           11111 = 31 TAD  
           .....  
           00001 = 1 TAD  
           00000 = 0 TAD (not recommended)

bit 7-0     **ADCS<7:0>:** A/D Conversion Clock Select bits  
           11111111 to 01000000 = Reserved  
           .....  
           00111111 = 64 • TCY  
           .....  
           00000001 = 2 • TCY  
           00000000 = TCY

# PIC24FJ64GB004 FAMILY

## REGISTER 22-4: AD1CHS: A/D INPUT SELECT REGISTER

|        |     |     |                         |                         |                         |                         |                         |
|--------|-----|-----|-------------------------|-------------------------|-------------------------|-------------------------|-------------------------|
| R/W-0  | U-0 | U-0 | R/W-0                   | R/W-0                   | R/W-0                   | R/W-0                   | R/W-0                   |
| CH0NB  | —   | —   | CH0SB4 <sup>(1,2)</sup> | CH0SB3 <sup>(1,2)</sup> | CH0SB2 <sup>(1,2)</sup> | CH0SB1 <sup>(1,2)</sup> | CH0SB0 <sup>(1,2)</sup> |
| bit 15 |     |     |                         |                         |                         |                         | bit 8                   |

|       |     |     |        |        |        |        |        |
|-------|-----|-----|--------|--------|--------|--------|--------|
| R/W-0 | U-0 | U-0 | R/W-0  | R/W-0  | R/W-0  | R/W-0  | R/W-0  |
| CH0NA | —   | —   | CH0SA4 | CH0SA3 | CH0SA2 | CH0SA1 | CH0SA0 |
| bit 7 |     |     |        |        |        |        | bit 0  |

### Legend:

R = Readable bit                      W = Writable bit                      U = Unimplemented bit, read as '0'  
 -n = Value at POR                      '1' = Bit is set                      '0' = Bit is cleared                      x = Bit is unknown

- bit 15            **CH0NB:** Channel 0 Negative Input Select for MUX B Multiplexer Setting bit  
                   1 = Channel 0 negative input is AN1  
                   0 = Channel 0 negative input is VR-
- bit 14-13       **Unimplemented:** Read as '0'
- bit 12-8        **CH0SB<4:0>:** Channel 0 Positive Input Select for MUX B Multiplexer Setting bits<sup>(1,2)</sup>  
                   11111 = Channel 0 positive input is reserved for CTMU use only<sup>(3)</sup>  
                   1xxxxx = Unimplemented; do not use.  
                   01111 = Channel 0 positive input is internal band gap reference (V<sub>BG</sub>)  
                   01110 = Channel 0 positive input is V<sub>BG</sub>/2  
                   01101 = Channel 0 positive input is voltage regulator output (V<sub>DDCORE</sub>)  
                   01100 = Channel 0 positive input is AN12  
                   01011 = Channel 0 positive input is AN11  
                   01010 = Channel 0 positive input is AN10  
                   01001 = Channel 0 positive input is AN9  
                   01000 = Channel 0 positive input is AN8  
                   00111 = Channel 0 positive input is AN7  
                   00110 = Channel 0 positive input is AN6  
                   00101 = Channel 0 positive input is AN5  
                   00100 = Channel 0 positive input is AN4  
                   00011 = Channel 0 positive input is AN3  
                   00010 = Channel 0 positive input is AN2  
                   00001 = Channel 0 positive input is AN1  
                   00000 = Channel 0 positive input is AN0
- bit 7            **CH0NA:** Channel 0 Negative Input Select for MUX A Multiplexer Setting bit  
                   1 = Channel 0 negative input is AN1  
                   0 = Channel 0 negative input is VR-
- bit 6-5        **Unimplemented:** Read as '0'
- bit 4-0        **CH0SA<4:0>:** Channel 0 Positive Input Select for MUX A Multiplexer Setting bits  
                   Implemented combinations are identical to those for CH0SB<4:0> (above).

- Note 1:** Combinations not shown here are unimplemented; do not use.  
**Note 2:** Analog channels, AN6, AN7, AN8 and AN12, are unavailable on 28-pin devices; do not use.  
**Note 3:** Selecting this internal channel allows the CTMU module to utilize the A/D Converter sample and hold capacitor (CAD) for the smallest time measurements.



# PIC24FJ64GB004 FAMILY

## REGISTER 22-5: AD1PCFG: A/D PORT CONFIGURATION REGISTER

|        |        |        |                      |        |        |       |                      |
|--------|--------|--------|----------------------|--------|--------|-------|----------------------|
| R/W-0  | R/W-0  | R/W-0  | R/W-0 <sup>(1)</sup> | R/W-0  | R/W-0  | R/W-0 | R/W-0 <sup>(1)</sup> |
| PCFG15 | PCFG14 | PCFG13 | PCFG12               | PCFG11 | PCFG10 | PCFG9 | PCFG8                |
| bit 15 |        |        |                      |        |        |       | bit 8                |

|                      |                      |       |       |       |       |       |       |
|----------------------|----------------------|-------|-------|-------|-------|-------|-------|
| R/W-0 <sup>(1)</sup> | R/W-0 <sup>(1)</sup> | R/W-0 | R/W-0 | R/W-0 | R/W-0 | R/W-0 | R/W-0 |
| PCFG7                | PCFG6                | PCFG5 | PCFG4 | PCFG3 | PCFG2 | PCFG1 | PCFG0 |
| bit 7                |                      |       |       |       |       |       | bit 0 |

### Legend:

|                   |                  |                                    |
|-------------------|------------------|------------------------------------|
| R = Readable bit  | W = Writable bit | U = Unimplemented bit, read as '0' |
| -n = Value at POR | '1' = Bit is set | '0' = Bit is cleared               |
|                   |                  | x = Bit is unknown                 |

- bit 15      **PCFG15:** A/D Input Band Gap Reference Enable bit  
             1 = Internal band gap (V<sub>BG</sub>) reference channel is disabled  
             0 = Internal band gap reference channel is enabled
- bit 14      **PCFG14:** A/D Input Half Band Gap Reference Enable bit  
             1 = Internal half band gap (V<sub>BG</sub>/2) reference channel is disabled  
             0 = Internal half band gap reference channel is enabled
- bit 13      **PCFG13:** A/D Input Voltage Regulator Output Reference Enable bit  
             1 = Internal voltage regulator output (V<sub>DDCORE</sub>) reference channel is disabled  
             0 = Internal voltage regulator output reference channel is enabled
- bit 12-0    **PCFG<12:0>:** Analog Input Pin Configuration Control bits<sup>(1)</sup>  
             1 = Pin for corresponding analog channel is configured in Digital mode; I/O port read is enabled  
             0 = Pin is configured in Analog mode; I/O port read is disabled, A/D samples pin voltage

**Note 1:** Analog channels, AN6, AN7, AN8 and AN12, are unavailable on 28-pin devices; leave these corresponding bits set.

# PIC24FJ64GB004 FAMILY

## REGISTER 22-6: AD1CSSL: A/D INPUT SCAN SELECT REGISTER

|        |        |        |                      |        |        |       |                      |
|--------|--------|--------|----------------------|--------|--------|-------|----------------------|
| R/W-0  | R/W-0  | R/W-0  | R/W-0 <sup>(1)</sup> | R/W-0  | R/W-0  | R/W-0 | R/W-0                |
| CSSL15 | CSSL14 | CSSL13 | CSSL12               | CSSL11 | CSSL10 | CSSL9 | CSSL8 <sup>(1)</sup> |
| bit 15 |        |        |                      |        |        |       | bit 8                |

|       |       |       |       |       |       |       |       |
|-------|-------|-------|-------|-------|-------|-------|-------|
| R/W-0 | R/W-0 | R/W-0 | R/W-0 | R/W-0 | R/W-0 | R/W-0 | R/W-0 |
| CSSL7 | CSSL6 | CSSL5 | CSSL4 | CSSL3 | CSSL2 | CSSL1 | CSSL0 |
| bit 7 |       |       |       |       |       |       | bit 0 |

### Legend:

R = Readable bit

W = Writable bit

U = Unimplemented bit, read as '0'

-n = Value at POR

'1' = Bit is set

'0' = Bit is cleared

x = Bit is unknown

- bit 15      **CSSL15:** A/D Input Band Gap Scan Enable bit  
 1 = Internal band gap (V<sub>BG</sub>) channel is enabled for input scan  
 0 = Analog channel is disabled from input scan
- bit 14      **CSSL14:** A/D Input Half Band Gap Scan Enable bit  
 1 = Internal half band gap (V<sub>BG</sub>/2) channel is enabled for input scan  
 0 = Analog channel is disabled from input scan
- bit 13      **CSSL13:** A/D Input Voltage Regulator Output Scan Enable bit  
 1 = Internal voltage regulator output (V<sub>DDCORE</sub>) is enabled for input scan  
 0 = Analog channel is disabled from input scan
- bit 12-0    **CSSL<12:0>:** A/D Input Pin Scan Selection bits<sup>(1)</sup>  
 1 = Corresponding analog channel is selected for input scan  
 0 = Analog channel is omitted from input scan

**Note 1:** Analog channels, AN6, AN7, AN8 and AN12, are unavailable on 28-pin devices; leave these corresponding bits cleared.

# PIC24FJ64GB004 FAMILY

**EQUATION 22-1: A/D CONVERSION CLOCK PERIOD<sup>(1)</sup>**

$$ADCS = \frac{T_{AD}}{T_{CY}} - 1$$

$$T_{AD} = T_{CY} \cdot (ADCS + 1)$$

**Note 1:** Based on  $T_{CY} = 2 * T_{OSC}$ , Doze mode and PLL are disabled.

**FIGURE 22-2: 10-BIT A/D CONVERTER ANALOG INPUT MODEL**

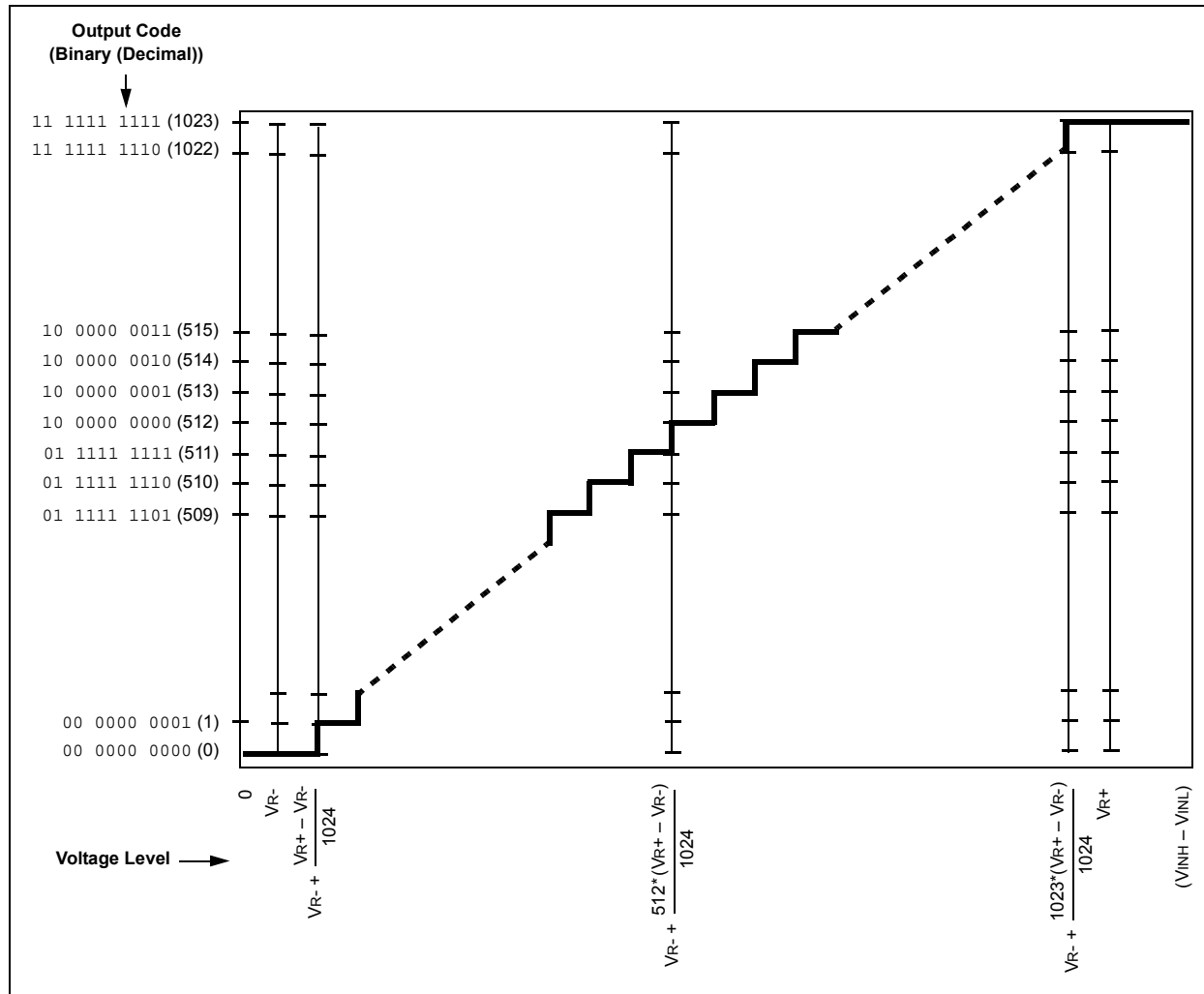


|                |          |                                                       |
|----------------|----------|-------------------------------------------------------|
| <b>Legend:</b> | CPIN     | = Input Capacitance                                   |
|                | VT       | = Threshold Voltage                                   |
|                | ILEAKAGE | = Leakage Current at the pin due to various junctions |
|                | RIC      | = Interconnect Resistance                             |
|                | RSS      | = Sampling Switch Resistance                          |
|                | CHOLD    | = Sample/Hold Capacitance (from DAC)                  |

**Note:** CPIN value depends on device package and is not tested. The effect of CPIN is negligible if  $R_s \leq 5 \text{ k}\Omega$ .

# PIC24FJ64GB004 FAMILY

FIGURE 22-3: A/D TRANSFER FUNCTION



## 23.0 TRIPLE COMPARATOR MODULE

**Note:** This data sheet summarizes the features of this group of PIC24F devices. It is not intended to be a comprehensive reference source. For more information, refer to the associated "PIC24F Family Reference Manual", Section 46. "Scalable Comparator Module" (DS39734).

The triple comparator module provides three dual input comparators. The inputs to the comparator can be configured to use any one of four external analog inputs, as well as voltage reference inputs from the voltage reference generator and band gap reference.

The comparator outputs may be directly connected to the CxOUT pins. When the respective COE equals '1', the I/O pad logic makes the unsynchronized output of the comparator available on the pin.

A simplified block diagram of the module is shown in Figure 23-1. Diagrams of the possible individual comparator configurations are shown in Figure 23-2.

Each comparator has its own control register, CMxCON (Register 23-1), for enabling and configuring its operation. The output and event status of all three comparators are provided in the CMSTAT register (Register 23-2).

**FIGURE 23-1: TRIPLE COMPARATOR MODULE BLOCK DIAGRAM**



# PIC24FJ64GB004 FAMILY

**FIGURE 23-2: INDIVIDUAL COMPARATOR CONFIGURATIONS**



# PIC24FJ64GB004 FAMILY

## REGISTER 23-1: CMxCON: COMPARATOR x CONTROL REGISTERS (COMPARATORS 1 THROUGH 3)

|        |       |       |     |     |     |       |       |
|--------|-------|-------|-----|-----|-----|-------|-------|
| R/W-0  | R/W-0 | R/W-0 | U-0 | U-0 | U-0 | R/W-0 | R-0   |
| CEN    | COE   | CPOL  | —   | —   | —   | CEVT  | COUT  |
| bit 15 |       |       |     |     |     |       | bit 8 |

|        |        |     |       |     |     |       |       |
|--------|--------|-----|-------|-----|-----|-------|-------|
| R/W-0  | R/W-0  | U-0 | R/W-0 | U-0 | U-0 | R/W-0 | R/W-0 |
| EVPOL1 | EVPOLO | —   | CREF  | —   | —   | CCH1  | CCH0  |
| bit 7  |        |     |       |     |     |       | bit 0 |

### Legend:

R = Readable bit                      W = Writable bit                      U = Unimplemented bit, read as '0'  
 -n = Value at POR                      '1' = Bit is set                      '0' = Bit is cleared                      x = Bit is unknown

- bit 15        **CEN:** Comparator Enable bit  
                  1 = Comparator is enabled  
                  0 = Comparator is disabled
- bit 14        **COE:** Comparator Output Enable bit  
                  1 = Comparator output is present on the CxOUT pin.  
                  0 = Comparator output is internal only
- bit 13        **CPOL:** Comparator Output Polarity Select bit  
                  1 = Comparator output is inverted  
                  0 = Comparator output is not inverted
- bit 12-10    **Unimplemented:** Read as '0'
- bit 9         **CEVT:** Comparator Event bit  
                  1 = Comparator event defined by EVPOL<1:0> has occurred; subsequent triggers and interrupts are disabled until the bit is cleared  
                  0 = Comparator event has not occurred
- bit 8         **COUT:** Comparator Output bit  
                  When CPOL = 0:  
                  1 =  $V_{IN+} > V_{IN-}$   
                  0 =  $V_{IN+} < V_{IN-}$   
                  When CPOL = 1:  
                  1 =  $V_{IN+} < V_{IN-}$   
                  0 =  $V_{IN+} > V_{IN-}$
- bit 7-6      **EVPOL<1:0>:** Trigger/Event/Interrupt Polarity Select bits  
                  11 = Trigger/event/interrupt generated on any change of the comparator output (while CEVT = 0)  
                  10 = Trigger/event/interrupt generated on transition of the comparator output:  
                         If CPOL = 0 (non-inverted polarity):  
                         High-to-low transition only.  
                         If CPOL = 1 (inverted polarity):  
                         Low-to-high transition only.  
                  01 = Trigger/event/interrupt generated on transition of comparator output:  
                         If CPOL = 0 (non-inverted polarity):  
                         Low-to-high transition only.  
                         If CPOL = 1 (inverted polarity):  
                         High-to-low transition only.  
                  00 = Trigger/event/interrupt generation is disabled
- bit 5         **Unimplemented:** Read as '0'

# PIC24FJ64GB004 FAMILY

## REGISTER 23-1: CMxCON: COMPARATOR x CONTROL REGISTERS (COMPARATORS 1 THROUGH 3) (CONTINUED)

- bit 4      **CREF:** Comparator Reference Select bits (non-inverting input)  
           1 = Non-inverting input connects to internal CVREF+ input reference voltage  
           0 = Non-inverting input connects to CxINA pin
- bit 3-2    **Unimplemented:** Read as '0'
- bit 1-0    **CCH<1:0>:** Comparator Channel Select bits  
           11 = Inverting input of comparator connects to CVREF- input reference voltage  
           10 = Inverting input of comparator connects to CxIND pin  
           01 = Inverting input of comparator connects to CxINC pin  
           00 = Inverting input of comparator connects to CxINB pin

## REGISTER 23-2: CMSTAT: COMPARATOR MODULE STATUS REGISTER

|        |     |     |     |     |       |       |       |
|--------|-----|-----|-----|-----|-------|-------|-------|
| R/W-0  | U-0 | U-0 | U-0 | U-0 | R-0   | R-0   | R-0   |
| CMIDL  | —   | —   | —   | —   | C3EVT | C2EVT | C1EVT |
| bit 15 |     |     |     |     |       | bit 8 |       |

|       |     |     |     |     |       |       |       |
|-------|-----|-----|-----|-----|-------|-------|-------|
| U-0   | U-0 | U-0 | U-0 | U-0 | R-0   | R-0   | R-0   |
| —     | —   | —   | —   | —   | C3OUT | C2OUT | C1OUT |
| bit 7 |     |     |     |     |       | bit 0 |       |

### Legend:

|                   |                  |                                              |
|-------------------|------------------|----------------------------------------------|
| R = Readable bit  | W = Writable bit | U = Unimplemented bit, read as '0'           |
| -n = Value at POR | '1' = Bit is set | '0' = Bit is cleared      x = Bit is unknown |

- bit 15      **CMIDL:** Comparator Stop in Idle Mode bit  
           1 = Discontinue operation of all comparators when device enters Idle mode  
           0 = Continue operation of all enabled comparators in Idle mode
- bit 14-11   **Unimplemented:** Read as '0'
- bit 10      **C3EVT:** Comparator 3 Event Status bit (read-only)  
           Shows the current event status of Comparator 3 (CM3CON<9>).
- bit 9       **C2EVT:** Comparator 2 Event Status bit (read-only)  
           Shows the current event status of Comparator 2 (CM2CON<9>).
- bit 8       **C1EVT:** Comparator 1 Event Status bit (read-only)  
           Shows the current event status of Comparator 1 (CM1CON<9>).
- bit 7-3     **Unimplemented:** Read as '0'
- bit 2       **C3OUT:** Comparator 3 Output Status bit (read-only)  
           Shows the current output of Comparator 3 (CM3CON<8>).
- bit 1       **C2OUT:** Comparator 2 Output Status bit (read-only)  
           Shows the current output of Comparator 2 (CM2CON<8>).
- bit 0       **C1OUT:** Comparator 1 Output Status bit (read-only)  
           Shows the current output of Comparator 1 (CM1CON<8>).



# PIC24FJ64GB004 FAMILY

## 24.0 COMPARATOR VOLTAGE REFERENCE

**Note:** This data sheet summarizes the features of this group of PIC24F devices. It is not intended to be a comprehensive reference source. For more information, refer to the "PIC24F Family Reference Manual", Section 20. "Comparator Voltage Reference Module" (DS39709).

### 24.1 Configuring the Comparator Voltage Reference

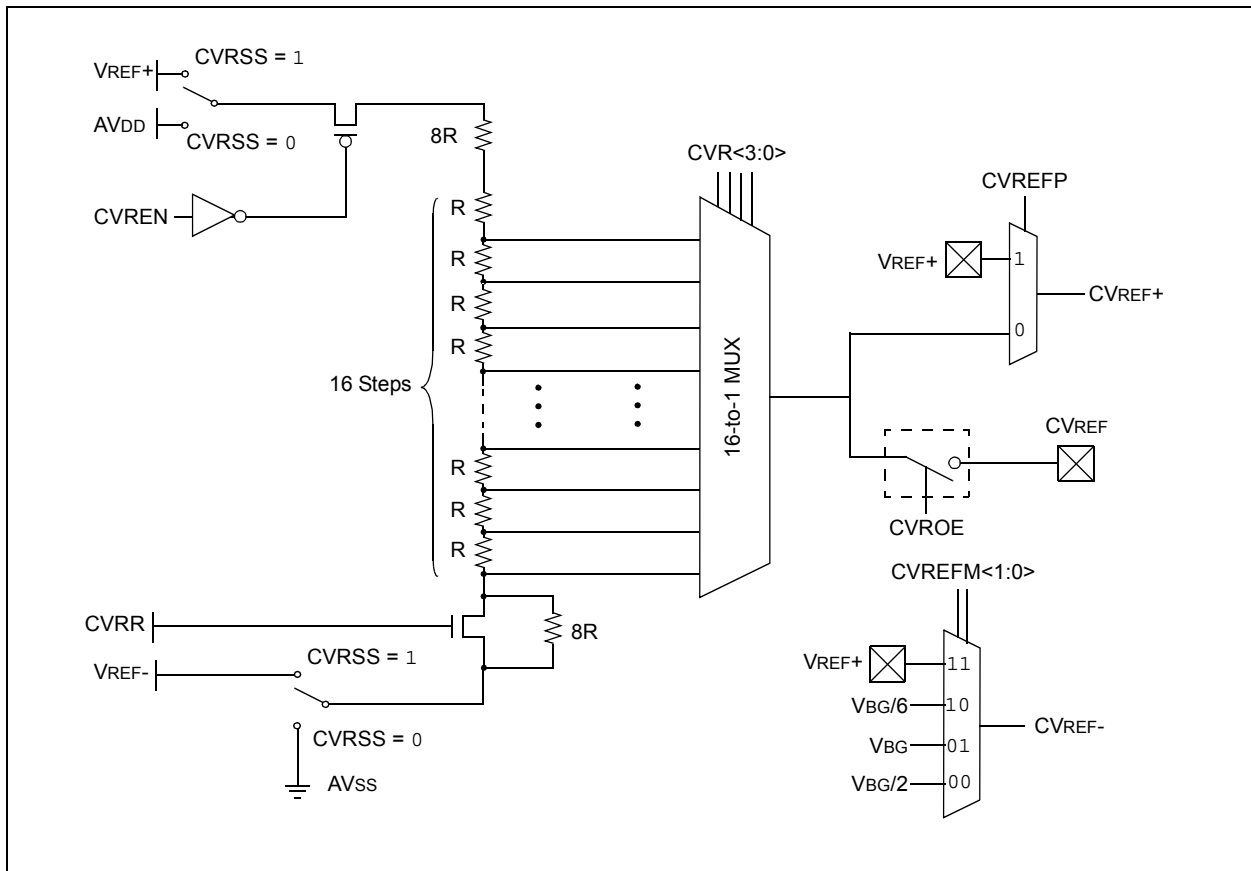
The voltage reference module is controlled through the CVRCON register (Register 24-1). The comparator voltage reference provides two ranges of output

voltage, each with 16 distinct levels. The range to be used is selected by the CVRR bit (CVRCON<5>). The primary difference between the ranges is the size of the steps selected by the CVREF Selection bits (CVR<3:0>), with one range offering finer resolution.

The comparator reference supply voltage can come from either VDD and VSS, or the external VREF+ and VREF-. The voltage source is selected by the CVRSS bit (CVRCON<4>).

The settling time of the comparator voltage reference must be considered when changing the CVREF output.

**FIGURE 24-1: COMPARATOR VOLTAGE REFERENCE BLOCK DIAGRAM**



# PIC24FJ64GB004 FAMILY

## REGISTER 24-1: CVRCON: COMPARATOR VOLTAGE REFERENCE CONTROL REGISTER

|        |     |     |     |     |        |         |         |
|--------|-----|-----|-----|-----|--------|---------|---------|
| U-0    | U-0 | U-0 | U-0 | U-0 | R/W-0  | R/W-0   | R/W-0   |
| —      | —   | —   | —   | —   | CVREFP | CVREFM1 | CVREFM0 |
| bit 15 |     |     |     |     |        | bit 8   |         |

|       |       |       |       |       |       |       |       |
|-------|-------|-------|-------|-------|-------|-------|-------|
| R/W-0 | R/W-0 | R/W-0 | R/W-0 | R/W-0 | R/W-0 | R/W-0 | R/W-0 |
| CVREN | CVROE | CVRR  | CVRSS | CVR3  | CVR2  | CVR1  | CVR0  |
| bit 7 |       |       |       |       |       | bit 0 |       |

### Legend:

R = Readable bit

W = Writable bit

U = Unimplemented bit, read as '0'

-n = Value at POR

'1' = Bit is set

'0' = Bit is cleared

x = Bit is unknown

bit 15-11 **Unimplemented:** Read as '0'

bit 10 **CVREFP:** CVREF+ Reference Output Select bit

1 = Use VREF+ input pin as CVREF+ reference output to comparators

0 = Use comparator voltage reference module's generated output as CVREF+ reference output to comparators

bit 9-8 **CVREFM<1:0>:** CVREF- Reference Output Select bits

11 = Use VREF+ input pin as CVREF- reference output to comparators

10 = Use VBG/6 as CVREF- reference output to comparators

01 = Use VBG as CVREF- reference output to comparators

00 = Use VBG/2 as CVREF- reference output to comparators

bit 7 **CVREN:** Comparator Voltage Reference Enable bit

1 = CVREF circuit is powered on

0 = CVREF circuit is powered down

bit 6 **CVROE:** Comparator VREF Output Enable bit

1 = CVREF voltage level is output on CVREF pin

0 = CVREF voltage level is disconnected from CVREF pin

bit 5 **CVRR:** Comparator VREF Range Selection bit

1 = CVRSRC range should be 0 to 0.625 CVRSRC with CVRSRC/24 step size

0 = CVRSRC range should be 0.25 to 0.719 CVRSRC with CVRSRC/32 step size

bit 4 **CVRSS:** Comparator VREF Source Selection bit

1 = Comparator reference source, CVRSRC = VREF+ – VREF-

0 = Comparator reference source, CVRSRC = AVDD – AVSS

bit 3-0 **CVR<3:0>:** Comparator VREF Value Selection ( $0 \leq \text{CVR}<3:0> \leq 15$ ) bits

When CVRR = 1:

$$\text{CVREF} = (\text{CVR}<3:0>/24) \cdot (\text{CVRSRC})$$

When CVRR = 0:

$$\text{CVREF} = 1/4 \cdot (\text{CVRSRC}) + (\text{CVR}<3:0>/32) \cdot (\text{CVRSRC})$$

## 25.0 CHARGE TIME MEASUREMENT UNIT (CTMU)

**Note:** This data sheet summarizes the features of this group of PIC24F devices. It is not intended to be a comprehensive reference source. For more information, refer to the associated “PIC24F Family Reference Manual”, Section 11. “Charge Time Measurement Unit (CTMU)” (DS39724).

The Charge Time Measurement Unit is a flexible analog module that provides accurate differential time measurement between pulse sources, as well as asynchronous pulse generation. Its key features include:

- Four edge input trigger sources
- Polarity control for each edge source
- Control of edge sequence
- Control of response to edges
- Time measurement resolution of 1 nanosecond
- Accurate current source suitable for capacitive measurement

Together with other on-chip analog modules, the CTMU can be used to precisely measure time, measure capacitance, measure relative changes in capacitance or generate output pulses that are independent of the system clock. The CTMU module is ideal for interfacing with capacitive-based sensors.

The CTMU is controlled through two registers: CTMUCON and CTMUICON. CTMUCON enables the module and controls edge source selection, edge source polarity selection and edge sequencing. The CTMUICON register controls the selection and trim of the current source.

## 25.1 Measuring Capacitance

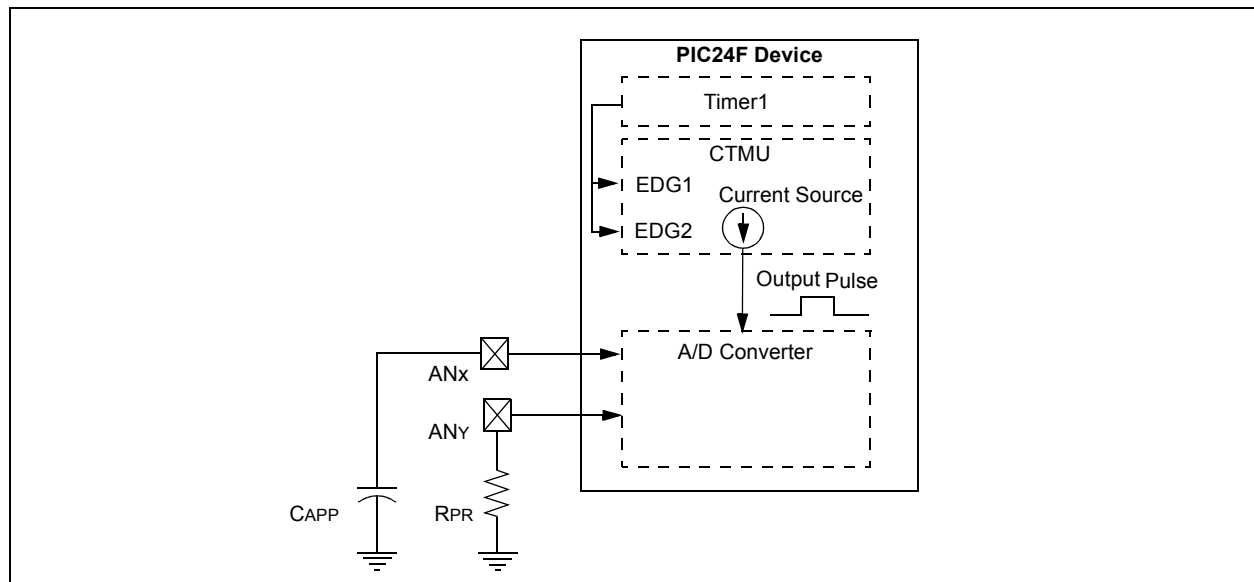
The CTMU module measures capacitance by generating an output pulse, with a width equal to the time between edge events, on two separate input channels. The pulse edge events to both input channels can be selected from four sources: two internal peripheral modules (OC1 and Timer1) and two external pins (CTEDG1 and CTEDG2). This pulse is used with the module’s precision current source to calculate capacitance according to the relationship:

$$i = C \cdot \frac{dV}{dT}$$

For capacitance measurements, the A/D Converter samples an external capacitor (CAPP) on one of its input channels after the CTMU output’s pulse. A Precision Resistor (RPR) provides current source calibration on a second A/D channel. After the pulse ends, the converter determines the voltage on the capacitor. The actual calculation of capacitance is performed in software by the application.

Figure 25-1 shows the external connections used for capacitance measurements, and how the CTMU and A/D modules are related in this application. This example also shows the edge events coming from Timer1, but other configurations using external edge sources are possible. A detailed discussion on measuring capacitance and time with the CTMU module is provided in the “PIC24F Family Reference Manual”.

**FIGURE 25-1: TYPICAL CONNECTIONS AND INTERNAL CONFIGURATION FOR CAPACITANCE MEASUREMENT**



# PIC24FJ64GB004 FAMILY

## 25.2 Measuring Time

Time measurements on the pulse width can be similarly performed using the A/D module's internal capacitor (CAD) and a precision resistor for current calibration. Figure 25-2 shows the external connections used for time measurements, and how the CTMU and A/D modules are related in this application. This example also shows both edge events coming from the external CTEDG pins, but other configurations using internal edge sources are possible. For the smallest time measurements, select the internal A/D Channel 31, CH0S<4:0> = 11111. This minimizes any stray capacitance that may otherwise be associated with using an input pin, thus keeping the total capacitance to that of the A/D Converter itself (4-5 pF). A detailed discussion on measuring capacitance and time with the CTMU module is provided in the "PIC24F Family Reference Manual".

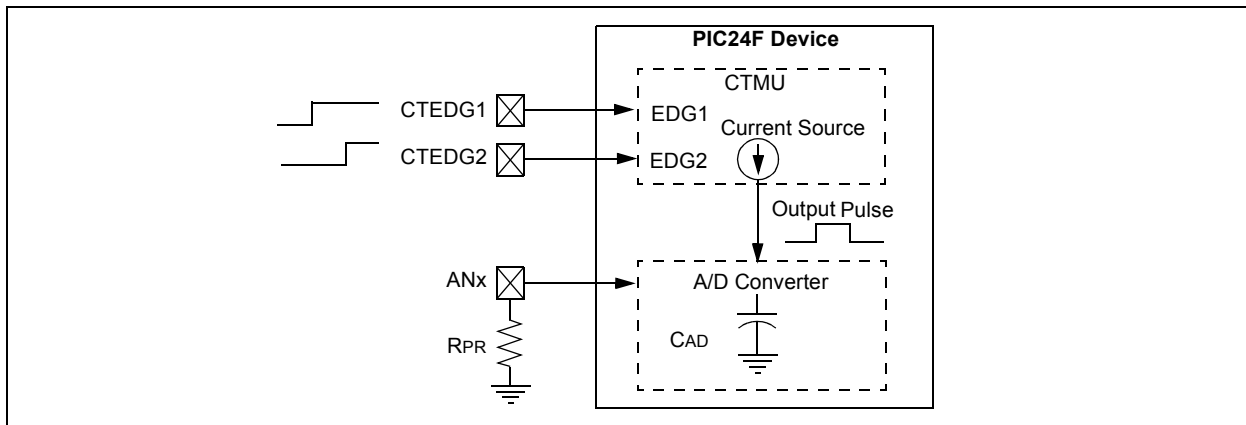
## 25.3 Pulse Generation and Delay

The CTMU module can also generate an output pulse with edges that are not synchronous with the device's system clock. More specifically, it can generate a pulse with a programmable delay from an edge event input to the module.

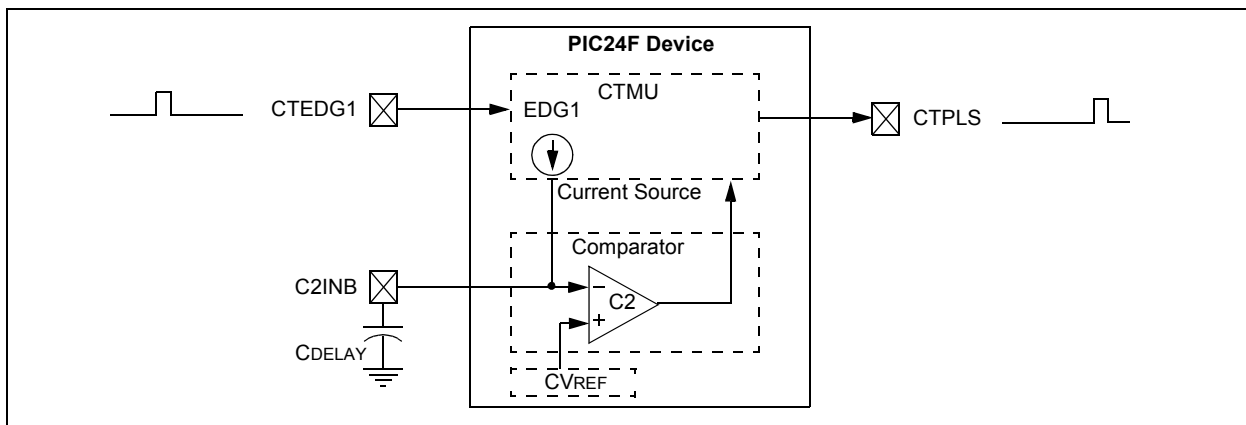
When the module is configured for pulse generation delay by setting the TGEN bit (CTMUCON<12>), the internal current source is connected to the B input of Comparator 2. A capacitor (CDELAY) is connected to the Comparator 2 pin, C2INB, and the comparator voltage reference, CVREF, is connected to C2INA. CVREF is then configured for a specific trip point. The module begins to charge CDELAY when an edge event is detected. When CDELAY charges above the CVREF trip point, a pulse is output on CTPLS. The length of the pulse delay is determined by the value of CDELAY and the CVREF trip point.

Figure 25-3 shows the external connections for pulse generation, as well as the relationship of the different analog modules required. While CTEDG1 is shown as the input pulse source, other options are available. A detailed discussion on pulse generation with the CTMU module is provided in the "PIC24F Family Reference Manual".

**FIGURE 25-2: TYPICAL CONNECTIONS AND INTERNAL CONFIGURATION FOR TIME MEASUREMENT**



**FIGURE 25-3: TYPICAL CONNECTIONS AND INTERNAL CONFIGURATION FOR PULSE DELAY GENERATION**



# PIC24FJ64GB004 FAMILY

## REGISTER 25-1: CTMUCON: CTMU CONTROL REGISTER

|        |     |          |                     |       |          |         |        |
|--------|-----|----------|---------------------|-------|----------|---------|--------|
| R/W-0  | U-0 | R/W-0    | R/W-0               | R/W-0 | R/W-0    | R/W-0   | R/W-0  |
| CTMUEN | —   | CTMUSIDL | TGEN <sup>(1)</sup> | EDGEN | EDGSEQEN | IDISSEN | CTTRIG |
| bit 15 |     |          |                     |       |          |         | bit 8  |

|         |          |          |         |          |          |          |          |
|---------|----------|----------|---------|----------|----------|----------|----------|
| R/W-0   | R/W-0    | R/W-0    | R/W-0   | R/W-0    | R/W-0    | R/W-0    | R/W-0    |
| EDG2POL | EDG2SEL1 | EDG2SEL0 | EDG1POL | EDG1SEL1 | EDG1SEL0 | EDG2STAT | EDG1STAT |
| bit 7   |          |          |         |          |          |          | bit 0    |

### Legend:

R = Readable bit                      W = Writable bit                      U = Unimplemented bit, read as '0'  
 -n = Value at POR                      '1' = Bit is set                      '0' = Bit is cleared                      x = Bit is unknown

- bit 15            **CTMUEN:** CTMU Enable bit  
                   1 = Module is enabled  
                   0 = Module is disabled
- bit 14            **Unimplemented:** Read as '0'
- bit 13            **CTMUSIDL:** Stop in Idle Mode bit  
                   1 = Discontinue module operation when device enters Idle mode  
                   0 = Continue module operation in Idle mode
- bit 12            **TGEN:** Time Generation Enable bit<sup>(1)</sup>  
                   1 = Enables edge delay generation  
                   0 = Disables edge delay generation
- bit 11            **EDGEN:** Edge Enable bit  
                   1 = Edges are not blocked  
                   0 = Edges are blocked
- bit 10            **EDGSEQEN:** Edge Sequence Enable bit  
                   1 = Edge 1 event must occur before Edge 2 event can occur  
                   0 = No edge sequence is needed
- bit 9             **IDISSEN:** Analog Current Source Control bit  
                   1 = Analog current source output is grounded  
                   0 = Analog current source output is not grounded
- bit 8             **CTTRIG:** Trigger Control bit  
                   1 = Trigger output is enabled  
                   0 = Trigger output is disabled
- bit 7             **EDG2POL:** Edge 2 Polarity Select bit  
                   1 = Edge 2 programmed for a positive edge response  
                   0 = Edge 2 programmed for a negative edge response
- bit 6-5          **EDG2SEL<1:0>:** Edge 2 Source Select bits  
                   11 = CTED1 pin  
                   10 = CTED2 pin  
                   01 = OC1 module  
                   00 = Timer1 module
- bit 4             **EDG1POL:** Edge 1 Polarity Select bit  
                   1 = Edge 1 programmed for a positive edge response  
                   0 = Edge 1 programmed for a negative edge response

**Note 1:** If TGEN = 1, the peripheral inputs and outputs must be configured to an available RPN pin. For more information, see **Section 10.4 "Peripheral Pin Select (PPS)"**.

# PIC24FJ64GB004 FAMILY

## REGISTER 25-1: CTMUCON: CTMU CONTROL REGISTER (CONTINUED)

bit 3-2 **EDG1SEL<1:0>**: Edge 1 Source Select bits

11 = CTED1 pin  
 10 = CTED2 pin  
 01 = OC1 module  
 00 = Timer1 module

bit 1 **EDG2STAT**: Edge 2 Status bit

1 = Edge 2 event has occurred  
 0 = Edge 2 event has not occurred

bit 0 **EDG1STAT**: Edge 1 Status bit

1 = Edge 1 event has occurred  
 0 = Edge 1 event has not occurred

**Note 1:** If TGEN = 1, the peripheral inputs and outputs must be configured to an available RPN pin. For more information, see **Section 10.4 “Peripheral Pin Select (PPS)”**.

## REGISTER 25-2: CTMUICON: CTMU CURRENT CONTROL REGISTER

|        |        |        |        |        |        |       |       |
|--------|--------|--------|--------|--------|--------|-------|-------|
| R/W-0  | R/W-0  | R/W-0  | R/W-0  | R/W-0  | R/W-0  | R/W-0 | R/W-0 |
| ITRIM5 | ITRIM4 | ITRIM3 | ITRIM2 | ITRIM1 | ITRIM0 | IRNG1 | IRNG0 |
| bit 15 |        |        |        |        |        | bit 8 |       |

|       |     |     |     |     |     |       |     |
|-------|-----|-----|-----|-----|-----|-------|-----|
| U-0   | U-0 | U-0 | U-0 | U-0 | U-0 | U-0   | U-0 |
| —     | —   | —   | —   | —   | —   | —     | —   |
| bit 7 |     |     |     |     |     | bit 0 |     |

### Legend:

|                   |                  |                                    |
|-------------------|------------------|------------------------------------|
| R = Readable bit  | W = Writable bit | U = Unimplemented bit, read as '0' |
| -n = Value at POR | '1' = Bit is set | '0' = Bit is cleared               |
|                   |                  | x = Bit is unknown                 |

bit 15-10 **ITRIM<5:0>**: Current Source Trim bits

011111 = Maximum positive change from nominal current  
 011110

.....

000001 = Minimum positive change from nominal current

000000 = Nominal current output specified by IRNG<1:0>

111111 = Minimum negative change from nominal current

.....

100010

100001 = Maximum negative change from nominal current

bit 9-8 **IRNG<1:0>**: Current Source Range Select bits

11 = 100 × Base Current

10 = 10 × Base Current

01 = Base current level (0.55 μA nominal)

00 = Current source disabled

bit 7-0 **Unimplemented**: Read as '0'

# PIC24FJ64GB004 FAMILY

## 26.0 SPECIAL FEATURES

**Note:** This data sheet summarizes the features of this group of PIC24F devices. It is not intended to be a comprehensive reference source. For more information, refer to the following sections of the “PIC24F Family Reference Manual”:

- **Section 9. “Watchdog Timer (WDT)”** (DS39697)
- **Section 32. “High-Level Device Integration”** (DS39719)
- **Section 33. “Programming and Diagnostics”** (DS39716)

PIC24FJ64GB004 family devices include several features intended to maximize application flexibility and reliability, and minimize cost through elimination of external components. These are:

- Flexible Configuration
- Watchdog Timer (WDT)
- Code Protection
- JTAG Boundary Scan Interface
- In-Circuit Serial Programming
- In-Circuit Emulation

### 26.1 Configuration Bits

The Configuration bits can be programmed (read as ‘0’), or left unprogrammed (read as ‘1’), to select various device configurations. These bits are mapped starting at program memory location F80000h. A detailed explanation of the various bit functions is provided in Register 26-1 through Register 26-6.

Note that address F80000h is beyond the user program memory space. In fact, it belongs to the configuration memory space (800000h-FFFFFFh) which can only be accessed using table reads and table writes.

### 26.1.1 CONSIDERATIONS FOR CONFIGURING PIC24FJ64GB004 FAMILY DEVICES

In PIC24FJ64GB004 family devices, the configuration bytes are implemented as volatile memory. This means that configuration data must be programmed each time the device is powered up. Configuration data is stored in the three words at the top of the on-chip program memory space, known as the Flash Configuration Words. Their specific locations are shown in Table 26-1. These are packed representations of the actual device Configuration bits, whose actual locations are distributed among several locations in configuration space. The configuration data is automatically loaded from the Flash Configuration Words to the proper Configuration registers during device Resets.

**Note:** Configuration data is reloaded on all types of device Resets.

When creating applications for these devices, users should always specifically allocate the location of the Flash Configuration Word for configuration data. This is to make certain that program code is not stored in this address when the code is compiled.

The upper byte of all Flash Configuration Words in program memory should always be ‘1111 1111’. This makes them appear to be NOP instructions in the remote event that their locations are ever executed by accident. Since Configuration bits are not implemented in the corresponding locations, writing ‘1’s to these locations has no effect on device operation.

**Note:** Performing a page erase operation on the last page of program memory clears the Flash Configuration Words, enabling code protection as a result. Therefore, users should avoid performing page erase operations on the last page of program memory.

**TABLE 26-1: FLASH CONFIGURATION WORD LOCATIONS FOR PIC24FJ64GB004 FAMILY DEVICES**

| Device         | Configuration Word Addresses |       |       |       |
|----------------|------------------------------|-------|-------|-------|
|                | 1                            | 2     | 3     | 4     |
| PIC24FJ32GB00X | 57FEh                        | 57FCh | 57FAh | 57F8h |
| PIC24FJ64GB00X | ABFEh                        | ABFCh | ABFAh | ABF8h |

# PIC24FJ64GB004 FAMILY

## REGISTER 26-1: CW1: FLASH CONFIGURATION WORD 1

|        |     |     |     |     |     |     |        |
|--------|-----|-----|-----|-----|-----|-----|--------|
| U-1    | U-1 | U-1 | U-1 | U-1 | U-1 | U-1 | U-1    |
| —      | —   | —   | —   | —   | —   | —   | —      |
| bit 23 |     |     |     |     |     |     | bit 16 |

|        |                       |        |        |        |     |        |        |
|--------|-----------------------|--------|--------|--------|-----|--------|--------|
| r-x    | R/PO-1                | R/PO-1 | R/PO-1 | R/PO-1 | U-1 | R/PO-1 | R/PO-1 |
| r      | JTAGEN <sup>(1)</sup> | GCP    | GWRP   | DEBUG  | —   | ICS1   | ICS0   |
| bit 15 |                       |        |        |        |     |        | bit 8  |

|        |        |     |        |        |        |        |        |
|--------|--------|-----|--------|--------|--------|--------|--------|
| R/PO-1 | R/PO-1 | U-1 | R/PO-1 | R/PO-1 | R/PO-1 | R/PO-1 | R/PO-1 |
| FWDTEN | WINDIS | —   | FWPSA  | WDTPS3 | WDTPS2 | WDTPS1 | WDTPS0 |
| bit 7  |        |     |        |        |        |        | bit 0  |

|                                        |                                    |
|----------------------------------------|------------------------------------|
| <b>Legend:</b>                         | r = Reserved bit                   |
| R = Readable bit                       | PO = Program Once bit              |
| -n = Value when device is unprogrammed | U = Unimplemented bit, read as '0' |
|                                        | '1' = Bit is set                   |
|                                        | '0' = Bit is cleared               |

- bit 23-16 **Unimplemented:** Read as '1'
- bit 15 **Reserved:** The value is unknown; program as '0'
- bit 14 **JTAGEN:** JTAG Port Enable bit<sup>(1)</sup>
  - 1 = JTAG port is enabled
  - 0 = JTAG port is disabled
- bit 13 **GCP:** General Segment Program Memory Code Protection bit
  - 1 = Code protection is disabled
  - 0 = Code protection is enabled for the entire program memory space
- bit 12 **GWRP:** General Segment Code Flash Write Protection bit
  - 1 = Writes to program memory are allowed
  - 0 = Writes to program memory are disabled
- bit 11 **DEBUG:** Background Debugger Enable bit
  - 1 = Device resets into Operational mode
  - 0 = Device resets into Debug mode
- bit 10 **Unimplemented:** Read as '1'
- bit 9-8 **ICS<1:0>:** Emulator Pin Placement Select bits
  - 11 = Emulator functions are shared with PGEC1/PGED1
  - 10 = Emulator functions are shared with PGEC2/PGED2
  - 01 = Emulator functions are shared with PGEC3/PGED3
  - 00 = Reserved; do not use
- bit 7 **FWDTEN:** Watchdog Timer Enable bit
  - 1 = Watchdog Timer is enabled
  - 0 = Watchdog Timer is disabled
- bit 6 **WINDIS:** Windowed Watchdog Timer Disable bit
  - 1 = Standard Watchdog Timer is enabled
  - 0 = Windowed Watchdog Timer is enabled; FWDTEN must be '1'
- bit 5 **Unimplemented:** Read as '1'
- bit 4 **FWPSA:** WDT Prescaler Ratio Select bit
  - 1 = Prescaler ratio of 1:128
  - 0 = Prescaler ratio of 1:32

**Note 1:** The JTAGEN bit can only be modified using In-Circuit Serial Programming™ (ICSP™). It cannot be modified while connected through the JTAG interface.



# PIC24FJ64GB004 FAMILY

---

## REGISTER 26-1: CW1: FLASH CONFIGURATION WORD 1 (CONTINUED)

bit 3-0      **WDTPS<3:0>**: Watchdog Timer Postscaler Select bits

1111 = 1:32,768  
1110 = 1:16,384  
1101 = 1:8,192  
1100 = 1:4,096  
1011 = 1:2,048  
1010 = 1:1,024  
1001 = 1:512  
1000 = 1:256  
0111 = 1:128  
0110 = 1:64  
0101 = 1:32  
0100 = 1:16  
0011 = 1:8  
0010 = 1:4  
0001 = 1:2  
0000 = 1:1

**Note 1:** The JTAGEN bit can only be modified using In-Circuit Serial Programming™ (ICSP™). It cannot be modified while connected through the JTAG interface.

# PIC24FJ64GB004 FAMILY

## REGISTER 26-2: CW2: FLASH CONFIGURATION WORD 2

|        |     |     |     |     |     |        |     |
|--------|-----|-----|-----|-----|-----|--------|-----|
| U-1    | U-1 | U-1 | U-1 | U-1 | U-1 | U-1    | U-1 |
| —      | —   | —   | —   | —   | —   | —      | —   |
| bit 23 |     |     |     |     |     | bit 16 |     |

|        |         |         |         |          |        |        |        |
|--------|---------|---------|---------|----------|--------|--------|--------|
| R/PO-1 | R/PO-1  | R/PO-1  | R/PO-1  | R/PO-1   | R/PO-1 | R/PO-1 | R/PO-1 |
| IESO   | PLLDIV2 | PLLDIV1 | PLLDIV0 | PLL96MHZ | FNOSC2 | FNOSC1 | FNOSC0 |
| bit 15 |         |         |         |          |        | bit 8  |        |

|        |        |          |         |     |         |         |         |
|--------|--------|----------|---------|-----|---------|---------|---------|
| R/PO-1 | R/PO-1 | R/PO-1   | R/PO-1  | U-1 | R/PO-1  | R/PO-1  | R/PO-1  |
| FCKSM1 | FCKSM0 | OSCIOFCN | IOL1WAY | —   | I2C1SEL | POSCMD1 | POSCMD0 |
| bit 7  |        |          |         |     |         | bit 0   |         |

### Legend:

R = Readable bit                      PO = Program Once bit                      U = Unimplemented bit, read as '0'  
 -n = Value when device is unprogrammed                      '1' = Bit is set                      '0' = Bit is cleared

- bit 23-16      **Unimplemented:** Read as '1'
- bit 15      **IESO:** Internal External Switchover bit  
 1 = IESO mode (Two-Speed Start-up) is enabled  
 0 = IESO mode (Two-Speed Start-up) is disabled
- bit 14-12      **PLLDIV<2:0>:** USB 96 MHz PLL Prescaler Select bits  
 111 = Oscillator input divided by 12 (48 MHz input)  
 110 = Oscillator input divided by 8 (32 MHz input)  
 101 = Oscillator input divided by 6 (24 MHz input)  
 100 = Oscillator input divided by 5 (20 MHz input)  
 011 = Oscillator input divided by 4 (16 MHz input)  
 010 = Oscillator input divided by 3 (12 MHz input)  
 001 = Oscillator input divided by 2 (8 MHz input)  
 000 = Oscillator input used directly (4 MHz input)
- bit 11      **PLL96MHZ:** USB 96 MHz PLL Start-up Enable bit  
 1 = 96 MHz PLL is enabled automatically on start-up  
 0 = 96 MHz PLL is enabled by user in software (controlled with the PLEN bit in CLKDIV<5>)
- bit 10-8      **FNOSC<2:0>:** Initial Oscillator Select bits  
 111 = Fast RC Oscillator with Postscaler (FRCDIV)  
 110 = Reserved  
 101 = Low-Power RC Oscillator (LPRC)  
 100 = Secondary Oscillator (SOSC)  
 011 = Primary Oscillator with PLL module (XTPLL, HSPLL, ECPLL)  
 010 = Primary Oscillator (XT, HS, EC)  
 001 = Fast RC Oscillator with Postscaler and PLL module (FRCPLL)  
 000 = Fast RC Oscillator (FRC)
- bit 7-6      **FCKSM<1:0>:** Clock Switching and Fail-Safe Clock Monitor Configuration bits  
 1x = Clock switching and Fail-Safe Clock Monitor are disabled  
 01 = Clock switching is enabled, Fail-Safe Clock Monitor is disabled  
 00 = Clock switching is enabled, Fail-Safe Clock Monitor is enabled
- bit 5      **OSCIOFCN:** OSCO Pin Configuration bit  
If POSCMD<1:0> = 11 or 00:  
 1 = OSCO/CLKO/RA3 functions as CLKO (Fosc/2)  
 0 = OSCO/CLKO/RA3 functions as port I/O (RC15)  
If POSCMD<1:0> = 10 or 01:  
 OSCIOFCN has no effect on OSCO/CLKO/RA3.

# PIC24FJ64GB004 FAMILY

---

## REGISTER 26-2: CW2: FLASH CONFIGURATION WORD 2 (CONTINUED)

- bit 4        **IOL1WAY:** IOLOCK One-Way Set Enable bit  
1 = The IOLOCK bit (OSCCON<6>) can be set once, provided the unlock sequence has been completed. Once set, the Peripheral Pin Select registers cannot be written to a second time.  
0 = The IOLOCK bit can be set and cleared as needed, provided the unlock sequence has been completed
- bit 3        **Unimplemented:** Read as '1'
- bit 2        **I2C1SEL:** I2C1 Pin Select bit  
1 = Use default SCL1/SDA1 pins  
0 = Use alternate SCL1/SDA1 pins
- bit 1-0     **POSCMD<1:0>:** Primary Oscillator Configuration bits  
11 = Primary Oscillator is disabled  
10 = HS Oscillator mode is selected  
01 = XT Oscillator mode is selected  
00 = EC Oscillator mode is selected

# PIC24FJ64GB004 FAMILY

## REGISTER 26-3: CW3: FLASH CONFIGURATION WORD 3

|        |     |     |     |     |     |        |     |
|--------|-----|-----|-----|-----|-----|--------|-----|
| U-1    | U-1 | U-1 | U-1 | U-1 | U-1 | U-1    | U-1 |
| —      | —   | —   | —   | —   | —   | —      | —   |
| bit 23 |     |     |     |     |     | bit 16 |     |

|        |        |        |     |         |         |                        |                         |
|--------|--------|--------|-----|---------|---------|------------------------|-------------------------|
| R/PO-1 | R/PO-1 | R/PO-1 | U-1 | R/PO-1  | R/PO-1  | R/PO-1                 | R/PO-1                  |
| WPEND  | WPCFG  | WPDIS  | —   | WUTSEL1 | WUTSEL0 | SOSCSEL <sup>(1)</sup> | SOSCSEL0 <sup>(1)</sup> |
| bit 15 |        |        |     |         |         | bit 8                  |                         |

|       |     |        |        |        |        |        |        |
|-------|-----|--------|--------|--------|--------|--------|--------|
| U-1   | U-1 | R/PO-1 | R/PO-1 | R/PO-1 | R/PO-1 | R/PO-1 | R/PO-1 |
| —     | —   | WFPF5  | WFPF4  | WFPF3  | WFPF2  | WFPF1  | WFPF0  |
| bit 7 |     |        |        |        |        | bit 0  |        |

### Legend:

R = Readable bit                      PO = Program Once bit                      U = Unimplemented bit, read as '0'  
 -n = Value when device is unprogrammed                      '1' = Bit is set                      '0' = Bit is cleared

- bit 23-16        **Unimplemented:** Read as '1'
- bit 15        **WPEND:** Segment Write Protection End Page Select bit
  - 1 = Protected code segment lower boundary is at the bottom of program memory (000000h); upper boundary is the code page specified by WFPF<8:0>
  - 0 = Protected code segment upper boundary is at the last page of program memory; lower boundary is the code page specified by WFPF<8:0>
- bit 14        **WPCFG:** Configuration Word Code Page Protection Select bit
  - 1 = Last page (at the top of program memory) and Flash Configuration Words are not protected
  - 0 = Last page and Flash Configuration Words are code-protected
- bit 13        **WPDIS:** Segment Write Protection Disable bit
  - 1 = Segmented code protection is disabled
  - 0 = Segmented code protection is enabled; protected segment is defined by WPEND, WPCFG and WFPF<sub>x</sub> Configuration bits
- bit 12        **Unimplemented:** Read as '1'
- bit 11-10     **WUTSEL<1:0>:** Voltage Regulator Standby Mode Wake-up Time Select bits
  - 11 = Default regulator start-up time is used
  - 01 = Fast regulator start-up time is used
  - x0 = Reserved; do not use
- bit 9-8        **SOSCSEL<1:0>:** Secondary Oscillator Power Mode Select bits<sup>(1)</sup>
  - 11 = SOSC pins are in default (high drive strength) oscillator mode
  - 01 = SOSC pins are in Low-Power (low drive strength) Oscillator mode
  - 00 = SOSC pins have digital I/O functions (RA4, RB4); SCLKI can be used
  - 10 = Reserved
- bit 7-6        **Unimplemented:** Read as '1'
- bit 5-0        **WFPF<5:0>:** Protected Code Segment Boundary Page bits
 

Designates the 512 instruction page that is the boundary of the protected code segment, starting with Page 9 at the bottom of program memory.

**If WPEND = 1:**  
Last address of designated code page is the upper boundary of the segment.

**If WPEND = 0:**  
First address of designated code page is the lower boundary of the segment.

**Note 1:** Digital functions on the SOSC1 and SOSCO pins are only available when configured in Digital I/O mode ('00').

# PIC24FJ64GB004 FAMILY

## REGISTER 26-4: CW4: FLASH CONFIGURATION WORD 4

|        |     |     |     |     |     |     |        |
|--------|-----|-----|-----|-----|-----|-----|--------|
| U-1    | U-1 | U-1 | U-1 | U-1 | U-1 | U-1 | U-1    |
| —      | —   | —   | —   | —   | —   | —   | —      |
| bit 23 |     |     |     |     |     |     | bit 16 |

|        |     |     |     |     |     |     |       |
|--------|-----|-----|-----|-----|-----|-----|-------|
| U-1    | U-1 | U-1 | U-1 | U-1 | U-1 | U-1 | U-1   |
| —      | —   | —   | —   | —   | —   | —   | —     |
| bit 15 |     |     |     |     |     |     | bit 8 |

|         |         |        |          |          |          |          |          |
|---------|---------|--------|----------|----------|----------|----------|----------|
| R/PO-1  | R/PO-1  | R/PO-1 | R/PO-1   | R/PO-1   | R/PO-1   | R/PO-1   | R/PO-1   |
| DSWDTEN | DSBOREN | RTCOSC | DSWDTOSC | DSWDTPS3 | DSWDTPS2 | DSWDTPS1 | DSWDTPS0 |
| bit 7   |         |        |          |          |          |          | bit 0    |

### Legend:

R = Readable bit

PO = Program Once bit

U = Unimplemented bit, read as '0'

-n = Value when device is unprogrammed

'1' = Bit is set

'0' = Bit is cleared

bit 23-8 **Unimplemented:** Read as '1'

bit 7 **DSWDTEN:** Deep Sleep Watchdog Timer Enable bit

1 = DSWDT is enabled

0 = DSWDT is disabled

bit 6 **DSBOREN:** Deep Sleep BOR Enable bit

1 = BOR is enabled in Deep Sleep

0 = BOR is disabled in Deep Sleep (does not affect Sleep mode)

bit 5 **RTCOSC:** RTCC Reference Clock Select bit

1 = RTCC uses SOSC as reference clock

0 = RTCC uses LPRC as reference clock

bit 4 **DSWDTOSC:** DSWDT Reference Clock Select bit

1 = DSWDT uses LPRC as reference clock

0 = DSWDT uses SOSC as reference clock

bit 3-0 **DSWDTPS<3:0>:** DSWDT Postscale select bits

The DSWDT prescaler is 32; this creates an approximate base time unit of 1 ms.

1111 = 1:2,147,483,648 (25.7 days)

1110 = 1:536,870,912 (6.4 days)

1101 = 1:134,217,728 (38.5 hours)

1100 = 1:33,554,432 (9.6 hours)

1011 = 1:8,388,608 (2.4 hours)

1010 = 1:2,097,152 (36 minutes)

1001 = 1:524,288 (9 minutes)

1000 = 1:131,072 (135 seconds)

0111 = 1:32,768 (34 seconds)

0110 = 1:8,192 (8.5 seconds)

0101 = 1:2,048 (2.1 seconds)

0100 = 1:512 (528 ms)

0011 = 1:128 (132 ms)

0010 = 1:32 (33 ms)

0001 = 1:8 (8.3 ms)

0000 = 1:2 (2.1 ms)



# PIC24FJ64GB004 FAMILY

## 26.2 On-Chip Voltage Regulator

All PIC24FJ64GB004 family devices power their core digital logic at a nominal 2.5V. This may create an issue for designs that are required to operate at a higher typical voltage, such as 3.3V. To simplify system design, all devices in the PIC24FJ64GB004 family incorporate an on-chip regulator that allows the device to run its core logic from VDD.

The regulator is controlled by the DISVREG pin. Tying VSS to the pin enables the regulator, which in turn, provides power to the core from the other VDD pins. When the regulator is enabled, a low-ESR capacitor (such as ceramic) must be connected to the VDDCORE/VCAP pin (Figure 26-1). This helps to maintain the stability of the regulator. The recommended value for the Filter Capacitor (CEFC) is provided in **Section 29.1 “DC Characteristics”**.

If DISVREG is tied to VDD, the regulator is disabled. In this case, separate power for the core logic, at a nominal 2.5V, must be supplied to the device on the VDDCORE/VCAP pin to run the I/O pins at higher voltage levels, typically 3.3V. Alternatively, the VDDCORE/VCAP and VDD pins can be tied together to operate at a lower nominal voltage. Refer to Figure 26-1 for possible configurations.

### 26.2.1 VOLTAGE REGULATOR TRACKING MODE AND LOW-VOLTAGE DETECTION

When it is enabled, the on-chip regulator provides a constant voltage of 2.5V nominal to the digital core logic.

The regulator can provide this level from a VDD of about 2.5V, all the way up to the device's VDDMAX. It does not have the capability to boost VDD levels below 2.5V. In order to prevent “brown-out” conditions when the voltage drops too low for the regulator, the regulator enters Tracking mode. In Tracking mode, the regulator output follows VDD with a typical voltage drop of 100 mV.

When the device enters Tracking mode, it is no longer possible to operate at full speed. To provide information about when the device enters Tracking mode, the on-chip regulator includes a simple, Low-Voltage Detect circuit. When VDD drops below full-speed operating voltage, the circuit sets the Low-Voltage Detect Interrupt Flag, LVDIF (IFS4<8>). This can be used to generate an interrupt and put the application into a Low-Power Operational mode or trigger an orderly shutdown.

Low-Voltage Detection is only available when the regulator is enabled.

FIGURE 26-1: CONNECTIONS FOR THE ON-CHIP REGULATOR



### 26.2.2 ON-CHIP REGULATOR AND POR

When the voltage regulator is enabled, it takes approximately 10 µs for it to generate output. During this time, designated as TPM, code execution is disabled. TPM is applied every time the device resumes operation after any power-down, including Sleep mode. TPM is determined by the setting of the PMSLP bit (RCON<8>) and the WUTSEL Configuration bits (CW3<11:10>).

**Note:** For more information on TPM, see **Section 29.0 “Electrical Characteristics”**.

If the regulator is disabled, a separate Power-up Timer (PWRT) is automatically enabled. The PWRT adds a fixed delay of 64 ms nominal delay at device start-up (POR or BOR only).

# PIC24FJ64GB004 FAMILY

When waking up from Sleep mode with the regulator disabled, TPM is used to determine the wake-up time. To decrease the device wake-up time when operating with the regulator disabled, the PMSLP bit can be set.

## 26.2.3 ON-CHIP REGULATOR AND BOR

When the on-chip regulator is enabled, PIC24FJ64GB004 family devices also have a simple brown-out capability. If the voltage supplied to the regulator is inadequate to maintain the tracking level, the regulator Reset circuitry will generate a Brown-out Reset. This event is captured by the BOR flag bit (RCON<1>). The brown-out voltage specifications are provided in **Section 29.0 “Electrical Characteristics”**.

## 26.2.4 POWER-UP REQUIREMENTS

The on-chip regulator is designed to meet the power-up requirements for the device. If the application does not use the regulator, then strict power-up conditions must be adhered to. While powering up, VDDCORE must never exceed VDD by 0.3 volts.

**Note:** For more information, see **Section 29.0 “Electrical Characteristics”**.

## 26.2.5 VOLTAGE REGULATOR STANDBY MODE

When enabled, the on-chip regulator always consumes a small incremental amount of current over IDD/IPD, including when the device is in Sleep mode, even though the core digital logic does not require power. To provide additional savings in applications where power resources are critical, the regulator automatically places itself into Standby mode whenever the device goes into Sleep mode by removing power from the Flash program memory. This feature is controlled by the PMSLP bit (RCON<8>). By default, this bit is cleared, which enables Standby mode.

For PIC24FJ64GB004 family devices, the time required for regulator wake-up from Standby mode is controlled by the WUTSEL<1:0> Configuration bits (CW3<11:10>). The default wake-up time for all devices is 190  $\mu$ s, which is a Legacy mode provided to match older PIC24F device wake-up times.

Implementing the WUTSEL Configuration bits provides a fast wake-up option. When WUTSEL<1:0> = 01, the regulator wake-up time is TPM, 10  $\mu$ s.

When the regulator’s Standby mode is turned off (PMSLP = 1), Flash program memory stays powered in Sleep mode. That enables device wake-up without waiting for TPM. With PMSLP set, however, the power consumption, while in Sleep mode, will be approximately 40  $\mu$ A higher than what it would be if the regulator was allowed to enter Standby mode.

## 26.3 Watchdog Timer (WDT)

For PIC24FJ64GB004 family devices, the WDT is driven by the LPRC Oscillator. When the WDT is enabled, the clock source is also enabled.

The nominal WDT clock source from LPRC is 31 kHz. This feeds a prescaler that can be configured for either 5-bit (divide-by-32) or 7-bit (divide-by-128) operation. The prescaler is set by the FWPSA Configuration bit. With a 31 kHz input, the prescaler yields a nominal WDT time-out period (TWDT) of 1 ms in 5-bit mode, or 4 ms in 7-bit mode.

A variable postscaler divides down the WDT prescaler output and allows for a wide range of time-out periods. The postscaler is controlled by the WDTPS<3:0> Configuration bits (CW1<3:0>), which allow the selection of a total of 16 settings, from 1:1 to 1:32,768. Using the prescaler and postscaler time-out periods, ranging from 1 ms to 131 seconds can be achieved.

The WDT, prescaler and postscaler are reset:

- On any device Reset
- On the completion of a clock switch, whether invoked by software (i.e., setting the OSWEN bit after changing the NOSC bits) or by hardware (i.e., Fail-Safe Clock Monitor)
- When a PWRSAV instruction is executed (i.e., Sleep or Idle mode is entered)
- When the device exits Sleep or Idle mode to resume normal operation
- By a CLRWDT instruction during normal execution

If the WDT is enabled, it will continue to run during Sleep or Idle modes. When the WDT time-out occurs, the device will wake the device and code execution will continue from where the PWRSAV instruction was executed. The corresponding SLEEP or IDLE bits (RCON<3:2>) will need to be cleared in software after the device wakes up.

The WDT Flag bit, WDTO (RCON<4>), is not automatically cleared following a WDT time-out. To detect subsequent WDT events, the flag must be cleared in software.

**Note:** The CLRWDT and PWRSAV instructions clear the prescaler and postscaler counts when executed.



# PIC24FJ64GB004 FAMILY

## 26.3.1 WINDOWED OPERATION

The Watchdog Timer has an optional Fixed Window mode of operation. In this Windowed mode, `CLRWDT` instructions can only reset the WDT during the last 1/4 of the programmed WDT period. A `CLRWDT` instruction is executed before that window causes a WDT Reset; this is similar to a WDT time-out.

Windowed WDT mode is enabled by programming the `WINDIS` Configuration bit (`CW1<6>`) to '0'.

## 26.3.2 CONTROL REGISTER

The WDT is enabled or disabled by the `FWDTEN` Configuration bit. When the `FWDTEN` Configuration bit is set, the WDT is always enabled.

The WDT can be optionally controlled in software when the `FWDTEN` Configuration bit has been programmed to '0'. The WDT is enabled in software by setting the `SWDTEN` control bit (`RCON<5>`). The `SWDTEN` control bit is cleared on any device Reset. The WDT software option allows the user to enable the WDT for critical code segments, and disable the WDT during non-critical segments, for maximum power savings.

**FIGURE 26-2: WDT BLOCK DIAGRAM**



## 26.4 Deep Sleep Watchdog Timer (DSWDT)

PIC24FJ64GB004 family devices have both a WDT module and a DSWDT module. The latter runs, if enabled, when a device is in Deep Sleep and is driven by either the `SOSC` or `LPRC` Oscillator. The clock source is selected by the `DSWDTOSC` (`CW4<4>`) Configuration bit.

The DSWDT can be configured to generate a time-out at 2.1 ms to 25.7 days by selecting the respective postscaler. The postscaler can be selected by the Configuration bits, `DSWDTPS<3:0>` (`CW4<3:0>`). When the DSWDT is enabled, the clock source is also enabled. DSWDT is one of the sources that can wake the device from Deep Sleep mode.

## 26.5 Program Verification and Code Protection

PIC24FJ64GB004 family devices provide two complementary methods to protect application code from overwrites and erasures. These also help to protect the device from inadvertent configuration changes during run time.

### 26.5.1 GENERAL SEGMENT PROTECTION

For all devices in the PIC24FJ64GB004 family, the on-chip program memory space is treated as a single block, known as the General Segment (GS). Code protection for this block is controlled by one Configuration bit, `GCP`. This bit inhibits external reads and writes to the program memory space. It has no direct effect in normal execution mode.

Write protection is controlled by the `GWRP` bit in the Configuration Word. When `GWRP` is programmed to '0', internal write and erase operations to program memory are blocked.

# PIC24FJ64GB004 FAMILY

## 26.5.2 CODE SEGMENT PROTECTION

In addition to global General Segment protection, a separate subrange of the program memory space can be individually protected against writes and erases. This area can be used for many purposes where a separate block of erase and write-protected code is needed, such as bootloader applications. Unlike common boot block implementations, the specially protected segment in the PIC24FJ64GB004 family devices can be located by the user anywhere in the program space and configured in a wide range of sizes.

Code segment protection provides an added level of protection to a designated area of program memory, by disabling the NVM safety interlock, whenever a write or erase address falls within a specified range. It does not override General Segment protection controlled by the GCP or GWRP bits. For example, if GCP and GWRP are enabled, enabling segmented code protection for the bottom half of program memory does not undo General Segment protection for the top half.

The size and type of protection for the segmented code range are configured by the WFPFx, WPEND, WPCFG and WPDIS bits in Configuration Word 3. Code segment protection is enabled by programming the WPDIS bit (= 0). The WFPF bits specify the size of the segment to be protected by specifying the 512-word code page that is the start or end of the protected segment. The specified region is inclusive, therefore, this page will also be protected.

The WPEND bit determines if the protected segment uses the top or bottom of the program space as a boundary. Programming WPEND (= 0) sets the bottom of program memory (000000h) as the lower boundary of the protected segment. Leaving WPEND unprogrammed (= 1) protects the specified page through the last page of implemented program memory, including the Configuration Word locations.

A separate bit, WPCFG, is used to independently protect the last page of program space, including the Flash Configuration Words. Programming WPCFG (= 0) protects the last page, regardless of the other bit settings. This may be useful in circumstances where write protection is needed for both a code segment in the bottom of memory, as well as the Flash Configuration Words.

The various options for segment code protection are shown in Table 26-2.

## 26.5.3 CONFIGURATION REGISTER PROTECTION

The Configuration registers are protected against inadvertent or unwanted changes, or reads in two ways. The primary protection method is the same as that of the RP registers – shadow registers contain a complimentary value which is constantly compared with the actual value.

To safeguard against unpredictable events, Configuration bit changes resulting from individual cell level disruptions (such as ESD events) will cause a parity error and trigger a device Reset.

The data for the Configuration registers is derived from the Flash Configuration Words in program memory. When the GCP bit is set, the source data for device configuration is also protected as a consequence. Even if General Segment protection is not enabled, the device configuration can be protected by using the appropriate code cement protection setting.

**TABLE 26-2: SEGMENT CODE PROTECTION CONFIGURATION OPTIONS**

| Segment Configuration Bits |       |       | Write/Erase Protection of Code Segment                                                                                                                                            |
|----------------------------|-------|-------|-----------------------------------------------------------------------------------------------------------------------------------------------------------------------------------|
| WPDIS                      | WPEND | WPCFG |                                                                                                                                                                                   |
| 1                          | x     | 1     | No additional protection enabled; all program memory protection is configured by GCP and GWRP                                                                                     |
| 1                          | x     | 0     | Last code page protected, including Flash Configuration Words                                                                                                                     |
| 0                          | 1     | 0     | Addresses from the first address of code page, defined by WFPF<5:0> through the end of implemented program memory (inclusive), are protected, including Flash Configuration Words |
| 0                          | 0     | 0     | Address, 000000h, through the last address of code page, defined by WFPF<5:0> (inclusive) is protected                                                                            |
| 0                          | 1     | 1     | Addresses from first address of code page, defined by WFPF<5:0> through the end of implemented program memory (inclusive), are protected, including Flash Configuration Words     |
| 0                          | 0     | 1     | Addresses from first address of code page, defined by WFPF<5:0> through the end of implemented program memory (inclusive), are protected                                          |

# PIC24FJ64GB004 FAMILY

---

## 26.6 JTAG Interface

PIC24FJ64GB004 family devices implement a JTAG interface, which supports boundary scan device testing.

## 26.7 In-Circuit Serial Programming

PIC24FJ64GB004 family microcontrollers can be serially programmed while in the end application circuit. This is simply done with two lines for clock (PGECx) and data (PGEDx), and three other lines for power, ground and the programming voltage. This allows customers to manufacture boards with unprogrammed devices and then program the microcontroller just before shipping the product. This also allows the most recent firmware or a custom firmware to be programmed.

## 26.8 In-Circuit Debugger

When MPLAB® ICD 2 is selected as a debugger, the in-circuit debugging functionality is enabled. This function allows simple debugging functions when used with MPLAB IDE. Debugging functionality is controlled through the PGECx (Emulation/Debug Clock) and PGEDx (Emulation/Debug Data) pins.

To use the in-circuit debugger function of the device, the design must implement ICSP connections to MCLR, VDD, VSS and the PGECx/PGEDx pin pair designated by the ICS Configuration bits. In addition, when the feature is enabled, some of the resources are not available for general use. These resources include the first 80 bytes of data RAM and two I/O pins.

# PIC24FJ64GB004 FAMILY

---

NOTES:

# PIC24FJ64GB004 FAMILY

---

## 27.0 DEVELOPMENT SUPPORT

The PIC® microcontrollers and dsPIC® digital signal controllers are supported with a full range of software and hardware development tools:

- Integrated Development Environment
  - MPLAB® IDE Software
- Compilers/Assemblers/Linkers
  - MPLAB C Compiler for Various Device Families
  - HI-TECH C for Various Device Families
  - MPASM™ Assembler
  - MPLINK™ Object Linker/  
MPLIB™ Object Librarian
  - MPLAB Assembler/Linker/Librarian for Various Device Families
- Simulators
  - MPLAB SIM Software Simulator
- Emulators
  - MPLAB REAL ICE™ In-Circuit Emulator
- In-Circuit Debuggers
  - MPLAB ICD 3
  - PICKit™ 3 Debug Express
- Device Programmers
  - PICKit™ 2 Programmer
  - MPLAB PM3 Device Programmer
- Low-Cost Demonstration/Development Boards, Evaluation Kits, and Starter Kits

## 27.1 MPLAB Integrated Development Environment Software

The MPLAB IDE software brings an ease of software development previously unseen in the 8/16/32-bit microcontroller market. The MPLAB IDE is a Windows® operating system-based application that contains:

- A single graphical interface to all debugging tools
  - Simulator
  - Programmer (sold separately)
  - In-Circuit Emulator (sold separately)
  - In-Circuit Debugger (sold separately)
- A full-featured editor with color-coded context
- A multiple project manager
- Customizable data windows with direct edit of contents
- High-level source code debugging
- Mouse over variable inspection
- Drag and drop variables from source to watch windows
- Extensive on-line help
- Integration of select third party tools, such as IAR C Compilers

The MPLAB IDE allows you to:

- Edit your source files (either C or assembly)
- One-touch compile or assemble, and download to emulator and simulator tools (automatically updates all project information)
- Debug using:
  - Source files (C or assembly)
  - Mixed C and assembly
  - Machine code

MPLAB IDE supports multiple debugging tools in a single development paradigm, from the cost-effective simulators, through low-cost in-circuit debuggers, to full-featured emulators. This eliminates the learning curve when upgrading to tools with increased flexibility and power.

# PIC24FJ64GB004 FAMILY

---

## 27.2 MPLAB C Compilers for Various Device Families

The MPLAB C Compiler code development systems are complete ANSI C compilers for Microchip's PIC18, PIC24 and PIC32 families of microcontrollers and the dsPIC30 and dsPIC33 families of digital signal controllers. These compilers provide powerful integration capabilities, superior code optimization and ease of use.

For easy source level debugging, the compilers provide symbol information that is optimized to the MPLAB IDE debugger.

## 27.3 HI-TECH C for Various Device Families

The HI-TECH C Compiler code development systems are complete ANSI C compilers for Microchip's PIC family of microcontrollers and the dsPIC family of digital signal controllers. These compilers provide powerful integration capabilities, omniscient code generation and ease of use.

For easy source level debugging, the compilers provide symbol information that is optimized to the MPLAB IDE debugger.

The compilers include a macro assembler, linker, pre-processor, and one-step driver, and can run on multiple platforms.

## 27.4 MPASM Assembler

The MPASM Assembler is a full-featured, universal macro assembler for PIC10/12/16/18 MCUs.

The MPASM Assembler generates relocatable object files for the MPLINK Object Linker, Intel® standard HEX files, MAP files to detail memory usage and symbol reference, absolute LST files that contain source lines and generated machine code and COFF files for debugging.

The MPASM Assembler features include:

- Integration into MPLAB IDE projects
- User-defined macros to streamline assembly code
- Conditional assembly for multi-purpose source files
- Directives that allow complete control over the assembly process

## 27.5 MPLINK Object Linker/ MPLIB Object Librarian

The MPLINK Object Linker combines relocatable objects created by the MPASM Assembler and the MPLAB C18 C Compiler. It can link relocatable objects from precompiled libraries, using directives from a linker script.

The MPLIB Object Librarian manages the creation and modification of library files of precompiled code. When a routine from a library is called from a source file, only the modules that contain that routine will be linked in with the application. This allows large libraries to be used efficiently in many different applications.

The object linker/library features include:

- Efficient linking of single libraries instead of many smaller files
- Enhanced code maintainability by grouping related modules together
- Flexible creation of libraries with easy module listing, replacement, deletion and extraction

## 27.6 MPLAB Assembler, Linker and Librarian for Various Device Families

MPLAB Assembler produces relocatable machine code from symbolic assembly language for PIC24, PIC32 and dsPIC devices. MPLAB C Compiler uses the assembler to produce its object file. The assembler generates relocatable object files that can then be archived or linked with other relocatable object files and archives to create an executable file. Notable features of the assembler include:

- Support for the entire device instruction set
- Support for fixed-point and floating-point data
- Command line interface
- Rich directive set
- Flexible macro language
- MPLAB IDE compatibility

## 27.7 MPLAB SIM Software Simulator

The MPLAB SIM Software Simulator allows code development in a PC-hosted environment by simulating the PIC MCUs and dsPIC® DSCs on an instruction level. On any given instruction, the data areas can be examined or modified and stimuli can be applied from a comprehensive stimulus controller. Registers can be logged to files for further run-time analysis. The trace buffer and logic analyzer display extend the power of the simulator to record and track program execution, actions on I/O, most peripherals and internal registers.

The MPLAB SIM Software Simulator fully supports symbolic debugging using the MPLAB C Compilers, and the MPASM and MPLAB Assemblers. The software simulator offers the flexibility to develop and debug code outside of the hardware laboratory environment, making it an excellent, economical software development tool.

## 27.8 MPLAB REAL ICE In-Circuit Emulator System

MPLAB REAL ICE In-Circuit Emulator System is Microchip's next generation high-speed emulator for Microchip Flash DSC and MCU devices. It debugs and programs PIC® Flash MCUs and dsPIC® Flash DSCs with the easy-to-use, powerful graphical user interface of the MPLAB Integrated Development Environment (IDE), included with each kit.

The emulator is connected to the design engineer's PC using a high-speed USB 2.0 interface and is connected to the target with either a connector compatible with in-circuit debugger systems (RJ-11) or with the new high-speed, noise tolerant, Low-Voltage Differential Signal (LVDS) interconnection (CAT5).

The emulator is field upgradable through future firmware downloads in MPLAB IDE. In upcoming releases of MPLAB IDE, new devices will be supported, and new features will be added. MPLAB REAL ICE offers significant advantages over competitive emulators including low-cost, full-speed emulation, run-time variable watches, trace analysis, complex breakpoints, a ruggedized probe interface and long (up to three meters) interconnection cables.

## 27.9 MPLAB ICD 3 In-Circuit Debugger System

MPLAB ICD 3 In-Circuit Debugger System is Microchip's most cost effective high-speed hardware debugger/programmer for Microchip Flash Digital Signal Controller (DSC) and microcontroller (MCU) devices. It debugs and programs PIC® Flash microcontrollers and dsPIC® DSCs with the powerful, yet easy-to-use graphical user interface of MPLAB Integrated Development Environment (IDE).

The MPLAB ICD 3 In-Circuit Debugger probe is connected to the design engineer's PC using a high-speed USB 2.0 interface and is connected to the target with a connector compatible with the MPLAB ICD 2 or MPLAB REAL ICE systems (RJ-11). MPLAB ICD 3 supports all MPLAB ICD 2 headers.

## 27.10 PICkit 3 In-Circuit Debugger/Programmer and PICkit 3 Debug Express

The MPLAB PICkit 3 allows debugging and programming of PIC® and dsPIC® Flash microcontrollers at a most affordable price point using the powerful graphical user interface of the MPLAB Integrated Development Environment (IDE). The MPLAB PICkit 3 is connected to the design engineer's PC using a full speed USB interface and can be connected to the target via an Microchip debug (RJ-11) connector (compatible with MPLAB ICD 3 and MPLAB REAL ICE). The connector uses two device I/O pins and the reset line to implement in-circuit debugging and In-Circuit Serial Programming™.

The PICkit 3 Debug Express include the PICkit 3, demo board and microcontroller, hookup cables and CDROM with user's guide, lessons, tutorial, compiler and MPLAB IDE software.

# PIC24FJ64GB004 FAMILY

---

## 27.11 PICkit 2 Development Programmer/Debugger and PICkit 2 Debug Express

The PICkit™ 2 Development Programmer/Debugger is a low-cost development tool with an easy to use interface for programming and debugging Microchip's Flash families of microcontrollers. The full featured Windows® programming interface supports baseline (PIC10F, PIC12F5xx, PIC16F5xx), midrange (PIC12F6xx, PIC16F), PIC18F, PIC24, dsPIC30, dsPIC33, and PIC32 families of 8-bit, 16-bit, and 32-bit microcontrollers, and many Microchip Serial EEPROM products. With Microchip's powerful MPLAB Integrated Development Environment (IDE) the PICkit™ 2 enables in-circuit debugging on most PIC® microcontrollers. In-Circuit-Debugging runs, halts and single steps the program while the PIC microcontroller is embedded in the application. When halted at a breakpoint, the file registers can be examined and modified.

The PICkit 2 Debug Express include the PICkit 2, demo board and microcontroller, hookup cables and CDROM with user's guide, lessons, tutorial, compiler and MPLAB IDE software.

## 27.12 MPLAB PM3 Device Programmer

The MPLAB PM3 Device Programmer is a universal, CE compliant device programmer with programmable voltage verification at VDDMIN and VDDMAX for maximum reliability. It features a large LCD display (128 x 64) for menus and error messages and a modular, detachable socket assembly to support various package types. The ICSP™ cable assembly is included as a standard item. In Stand-Alone mode, the MPLAB PM3 Device Programmer can read, verify and program PIC devices without a PC connection. It can also set code protection in this mode. The MPLAB PM3 connects to the host PC via an RS-232 or USB cable. The MPLAB PM3 has high-speed communications and optimized algorithms for quick programming of large memory devices and incorporates an MMC card for file storage and data applications.

## 27.13 Demonstration/Development Boards, Evaluation Kits, and Starter Kits

A wide variety of demonstration, development and evaluation boards for various PIC MCUs and dsPIC DSCs allows quick application development on fully functional systems. Most boards include prototyping areas for adding custom circuitry and provide application firmware and source code for examination and modification.

The boards support a variety of features, including LEDs, temperature sensors, switches, speakers, RS-232 interfaces, LCD displays, potentiometers and additional EEPROM memory.

The demonstration and development boards can be used in teaching environments, for prototyping custom circuits and for learning about various microcontroller applications.

In addition to the PICDEM™ and dsPICDEM™ demonstration/development board series of circuits, Microchip has a line of evaluation kits and demonstration software for analog filter design, KEELOQ® security ICs, CAN, IrDA®, PowerSmart battery management, SEEVAL® evaluation system, Sigma-Delta ADC, flow rate sensing, plus many more.

Also available are starter kits that contain everything needed to experience the specified device. This usually includes a single application and debug capability, all on one board.

Check the Microchip web page ([www.microchip.com](http://www.microchip.com)) for the complete list of demonstration, development and evaluation kits.



## 28.0 INSTRUCTION SET SUMMARY

**Note:** This chapter is a brief summary of the PIC24F instruction set architecture, and is not intended to be a comprehensive reference source.

The PIC24F instruction set adds many enhancements to the previous PIC<sup>®</sup> MCU instruction sets, while maintaining an easy migration from previous PIC MCU instruction sets. Most instructions are a single program memory word. Only three instructions require two program memory locations.

Each single-word instruction is a 24-bit word divided into an 8-bit opcode, which specifies the instruction type and one or more operands, which further specify the operation of the instruction. The instruction set is highly orthogonal and is grouped into four basic categories:

- Word or byte-oriented operations
- Bit-oriented operations
- Literal operations
- Control operations

Table 28-1 shows the general symbols used in describing the instructions. The PIC24F instruction set summary in Table 28-2 lists all of the instructions, along with the status flags affected by each instruction.

Most word or byte-oriented W register instructions (including barrel shift instructions) have three operands:

- The first source operand, which is typically a register 'Wb' without any address modifier
- The second source operand, which is typically a register 'Ws' with or without an address modifier
- The destination of the result, which is typically a register 'Wd' with or without an address modifier

However, word or byte-oriented file register instructions have two operands:

- The file register specified by the value, 'f'
- The destination, which could either be the file register, 'f', or the W0 register, which is denoted as 'WREG'

Most bit-oriented instructions (including simple rotate/shift instructions) have two operands:

- The W register (with or without an address modifier) or file register (specified by the value of 'Ws' or 'f')
- The bit in the W register or file register (specified by a literal value or indirectly by the contents of register, 'Wb')

The literal instructions that involve data movement may use some of the following operands:

- A literal value to be loaded into a W register or file register (specified by the value of 'k')
- The W register or file register where the literal value is to be loaded (specified by 'Wb' or 'f')

However, literal instructions that involve arithmetic or logical operations use some of the following operands:

- The first source operand, which is a register 'Wb' without any address modifier
- The second source operand, which is a literal value
- The destination of the result (only if not the same as the first source operand), which is typically a register 'Wd' with or without an address modifier

The control instructions may use some of the following operands:

- A program memory address
- The mode of the table read and table write instructions

All instructions are a single word, except for certain double-word instructions, which were made double-word instructions so that all the required information is available in these 48 bits. In the second word, the 8 MSBs are '0's. If this second word is executed as an instruction (by itself), it will execute as a NOP.

Most single-word instructions are executed in a single instruction cycle, unless a conditional test is true or the program counter is changed as a result of the instruction. In these cases, the execution takes two instruction cycles, with the additional instruction cycle(s) executed as a NOP. Notable exceptions are the BRA (unconditional/computed branch), indirect CALL/GOTO, all table reads and writes, and RETURN/RETFIE instructions, which are single-word instructions but take two or three cycles.

Certain instructions that involve skipping over the subsequent instruction require either two or three cycles if the skip is performed, depending on whether the instruction being skipped is a single-word or two-word instruction. Moreover, double-word moves require two cycles. The double-word instructions execute in two instruction cycles.

# PIC24FJ64GB004 FAMILY

**TABLE 28-1: SYMBOLS USED IN OPCODE DESCRIPTIONS**

| Field           | Description                                                                                 |
|-----------------|---------------------------------------------------------------------------------------------|
| #text           | Means literal defined by "text"                                                             |
| (text)          | Means "content of text"                                                                     |
| [text]          | Means "the location addressed by text"                                                      |
| { }             | Optional field or operation                                                                 |
| <n:m>           | Register bit field                                                                          |
| .b              | Byte mode selection                                                                         |
| .d              | Double-Word mode selection                                                                  |
| .S              | Shadow register select                                                                      |
| .w              | Word mode selection (default)                                                               |
| bit4            | 4-bit bit selection field (used in word addressed instructions) $\in \{0...15\}$            |
| C, DC, N, OV, Z | MCU Status bits: Carry, Digit Carry, Negative, Overflow, Sticky Zero                        |
| Expr            | Absolute address, label or expression (resolved by the linker)                              |
| f               | File register address $\in \{0000h...1FFFh\}$                                               |
| lit1            | 1-bit unsigned literal $\in \{0,1\}$                                                        |
| lit4            | 4-bit unsigned literal $\in \{0...15\}$                                                     |
| lit5            | 5-bit unsigned literal $\in \{0...31\}$                                                     |
| lit8            | 8-bit unsigned literal $\in \{0...255\}$                                                    |
| lit10           | 10-bit unsigned literal $\in \{0...255\}$ for Byte mode, $\{0:1023\}$ for Word mode         |
| lit14           | 14-bit unsigned literal $\in \{0...16383\}$                                                 |
| lit16           | 16-bit unsigned literal $\in \{0...65535\}$                                                 |
| lit23           | 23-bit unsigned literal $\in \{0...8388607\}$ ; LSB must be '0'                             |
| None            | Field does not require an entry, may be blank                                               |
| PC              | Program Counter                                                                             |
| Slit10          | 10-bit signed literal $\in \{-512...511\}$                                                  |
| Slit16          | 16-bit signed literal $\in \{-32768...32767\}$                                              |
| Slit6           | 6-bit signed literal $\in \{-16...16\}$                                                     |
| Wb              | Base W register $\in \{W0..W15\}$                                                           |
| Wd              | Destination W register $\in \{Wd, [Wd], [Wd++] , [Wd--], [++Wd], [--Wd] \}$                 |
| Wdo             | Destination W register $\in \{Wnd, [Wnd], [Wnd++] , [Wnd--], [++Wnd], [--Wnd], [Wnd+Wb] \}$ |
| Wm,Wn           | Dividend, Divisor working register pair (direct addressing)                                 |
| Wn              | One of 16 working registers $\in \{W0..W15\}$                                               |
| Wnd             | One of 16 destination working registers $\in \{W0..W15\}$                                   |
| Wns             | One of 16 source working registers $\in \{W0..W15\}$                                        |
| WREG            | W0 (working register used in file register instructions)                                    |
| Ws              | Source W register $\in \{Ws, [Ws], [Ws++] , [Ws--], [++Ws], [--Ws] \}$                      |
| Wso             | Source W register $\in \{Wns, [Wns], [Wns++] , [Wns--], [++Wns], [--Wns], [Wns+Wb] \}$      |

# PIC24FJ64GB004 FAMILY

**TABLE 28-2: INSTRUCTION SET OVERVIEW**

| Assembly Mnemonic | Assembly Syntax    | Description                              | # of Words | # of Cycles   | Status Flags Affected |
|-------------------|--------------------|------------------------------------------|------------|---------------|-----------------------|
| ADD               | ADD f              | $f = f + WREG$                           | 1          | 1             | C, DC, N, OV, Z       |
|                   | ADD f, WREG        | $WREG = f + WREG$                        | 1          | 1             | C, DC, N, OV, Z       |
|                   | ADD #lit10, Wn     | $Wd = lit10 + Wd$                        | 1          | 1             | C, DC, N, OV, Z       |
|                   | ADD Wb, Ws, Wd     | $Wd = Wb + Ws$                           | 1          | 1             | C, DC, N, OV, Z       |
|                   | ADD Wb, #lit5, Wd  | $Wd = Wb + lit5$                         | 1          | 1             | C, DC, N, OV, Z       |
| ADDC              | ADDC f             | $f = f + WREG + (C)$                     | 1          | 1             | C, DC, N, OV, Z       |
|                   | ADDC f, WREG       | $WREG = f + WREG + (C)$                  | 1          | 1             | C, DC, N, OV, Z       |
|                   | ADDC #lit10, Wn    | $Wd = lit10 + Wd + (C)$                  | 1          | 1             | C, DC, N, OV, Z       |
|                   | ADDC Wb, Ws, Wd    | $Wd = Wb + Ws + (C)$                     | 1          | 1             | C, DC, N, OV, Z       |
|                   | ADDC Wb, #lit5, Wd | $Wd = Wb + lit5 + (C)$                   | 1          | 1             | C, DC, N, OV, Z       |
| AND               | AND f              | $f = f .AND. WREG$                       | 1          | 1             | N, Z                  |
|                   | AND f, WREG        | $WREG = f .AND. WREG$                    | 1          | 1             | N, Z                  |
|                   | AND #lit10, Wn     | $Wd = lit10 .AND. Wd$                    | 1          | 1             | N, Z                  |
|                   | AND Wb, Ws, Wd     | $Wd = Wb .AND. Ws$                       | 1          | 1             | N, Z                  |
|                   | AND Wb, #lit5, Wd  | $Wd = Wb .AND. lit5$                     | 1          | 1             | N, Z                  |
| ASR               | ASR f              | f = Arithmetic Right Shift f             | 1          | 1             | C, N, OV, Z           |
|                   | ASR f, WREG        | WREG = Arithmetic Right Shift f          | 1          | 1             | C, N, OV, Z           |
|                   | ASR Ws, Wd         | Wd = Arithmetic Right Shift Ws           | 1          | 1             | C, N, OV, Z           |
|                   | ASR Wb, Wns, Wnd   | Wnd = Arithmetic Right Shift Wb by Wns   | 1          | 1             | N, Z                  |
|                   | ASR Wb, #lit5, Wnd | Wnd = Arithmetic Right Shift Wb by lit5  | 1          | 1             | N, Z                  |
| BCLR              | BCLR f, #bit4      | Bit Clear f                              | 1          | 1             | None                  |
|                   | BCLR Ws, #bit4     | Bit Clear Ws                             | 1          | 1             | None                  |
| BRA               | BRA C, Expr        | Branch if Carry                          | 1          | 1 (2)         | None                  |
|                   | BRA GE, Expr       | Branch if Greater than or Equal          | 1          | 1 (2)         | None                  |
|                   | BRA GEU, Expr      | Branch if Unsigned Greater than or Equal | 1          | 1 (2)         | None                  |
|                   | BRA GT, Expr       | Branch if Greater than                   | 1          | 1 (2)         | None                  |
|                   | BRA GTU, Expr      | Branch if Unsigned Greater than          | 1          | 1 (2)         | None                  |
|                   | BRA LE, Expr       | Branch if Less than or Equal             | 1          | 1 (2)         | None                  |
|                   | BRA LEU, Expr      | Branch if Unsigned Less than or Equal    | 1          | 1 (2)         | None                  |
|                   | BRA LT, Expr       | Branch if Less than                      | 1          | 1 (2)         | None                  |
|                   | BRA LTU, Expr      | Branch if Unsigned Less than             | 1          | 1 (2)         | None                  |
|                   | BRA N, Expr        | Branch if Negative                       | 1          | 1 (2)         | None                  |
|                   | BRA NC, Expr       | Branch if Not Carry                      | 1          | 1 (2)         | None                  |
|                   | BRA NN, Expr       | Branch if Not Negative                   | 1          | 1 (2)         | None                  |
|                   | BRA NOV, Expr      | Branch if Not Overflow                   | 1          | 1 (2)         | None                  |
|                   | BRA NZ, Expr       | Branch if Not Zero                       | 1          | 1 (2)         | None                  |
|                   | BRA OV, Expr       | Branch if Overflow                       | 1          | 1 (2)         | None                  |
|                   | BRA Expr           | Branch Unconditionally                   | 1          | 2             | None                  |
|                   | BRA Z, Expr        | Branch if Zero                           | 1          | 1 (2)         | None                  |
|                   | BRA Wn             | Computed Branch                          | 1          | 2             | None                  |
| BSET              | BSET f, #bit4      | Bit Set f                                | 1          | 1             | None                  |
|                   | BSET Ws, #bit4     | Bit Set Ws                               | 1          | 1             | None                  |
| BSW               | BSW.C Ws, Wb       | Write C bit to Ws<Wb>                    | 1          | 1             | None                  |
|                   | BSW.Z Ws, Wb       | Write Z bit to Ws<Wb>                    | 1          | 1             | None                  |
| BTG               | BTG f, #bit4       | Bit Toggle f                             | 1          | 1             | None                  |
|                   | BTG Ws, #bit4      | Bit Toggle Ws                            | 1          | 1             | None                  |
| BTSC              | BTSC f, #bit4      | Bit Test f, Skip if Clear                | 1          | 1<br>(2 or 3) | None                  |
|                   | BTSC Ws, #bit4     | Bit Test Ws, Skip if Clear               | 1          | 1<br>(2 or 3) | None                  |

# PIC24FJ64GB004 FAMILY

**TABLE 28-2: INSTRUCTION SET OVERVIEW (CONTINUED)**

| Assembly Mnemonic | Assembly Syntax      | Description                                            | # of Words | # of Cycles   | Status Flags Affected |
|-------------------|----------------------|--------------------------------------------------------|------------|---------------|-----------------------|
| BTSS              | BTSS $f, \#bit4$     | Bit Test $f$ , Skip if Set                             | 1          | 1<br>(2 or 3) | None                  |
|                   | BTSS $Ws, \#bit4$    | Bit Test $Ws$ , Skip if Set                            | 1          | 1<br>(2 or 3) | None                  |
| BTST              | BTST $f, \#bit4$     | Bit Test $f$                                           | 1          | 1             | Z                     |
|                   | BTST.C $Ws, \#bit4$  | Bit Test $Ws$ to C                                     | 1          | 1             | C                     |
|                   | BTST.Z $Ws, \#bit4$  | Bit Test $Ws$ to Z                                     | 1          | 1             | Z                     |
|                   | BTST.C $Ws, Wb$      | Bit Test $Ws < Wb >$ to C                              | 1          | 1             | C                     |
|                   | BTST.Z $Ws, Wb$      | Bit Test $Ws < Wb >$ to Z                              | 1          | 1             | Z                     |
| BTSTS             | BTSTS $f, \#bit4$    | Bit Test then Set $f$                                  | 1          | 1             | Z                     |
|                   | BTSTS.C $Ws, \#bit4$ | Bit Test $Ws$ to C, then Set                           | 1          | 1             | C                     |
|                   | BTSTS.Z $Ws, \#bit4$ | Bit Test $Ws$ to Z, then Set                           | 1          | 1             | Z                     |
| CALL              | CALL $lit23$         | Call Subroutine                                        | 2          | 2             | None                  |
|                   | CALL $Wn$            | Call Indirect Subroutine                               | 1          | 2             | None                  |
| CLR               | CLR $f$              | $f = 0x0000$                                           | 1          | 1             | None                  |
|                   | CLR $WREG$           | $WREG = 0x0000$                                        | 1          | 1             | None                  |
|                   | CLR $Ws$             | $Ws = 0x0000$                                          | 1          | 1             | None                  |
| CLRWDT            | CLRWDT               | Clear Watchdog Timer                                   | 1          | 1             | WDTO, Sleep           |
| COM               | COM $f$              | $f = \bar{f}$                                          | 1          | 1             | N, Z                  |
|                   | COM $f, WREG$        | $WREG = \bar{f}$                                       | 1          | 1             | N, Z                  |
|                   | COM $Ws, Wd$         | $Wd = \bar{Ws}$                                        | 1          | 1             | N, Z                  |
| CP                | CP $f$               | Compare $f$ with $WREG$                                | 1          | 1             | C, DC, N, OV, Z       |
|                   | CP $Wb, \#lit5$      | Compare $Wb$ with $lit5$                               | 1          | 1             | C, DC, N, OV, Z       |
|                   | CP $Wb, Ws$          | Compare $Wb$ with $Ws$ ( $Wb - Ws$ )                   | 1          | 1             | C, DC, N, OV, Z       |
| CP0               | CP0 $f$              | Compare $f$ with $0x0000$                              | 1          | 1             | C, DC, N, OV, Z       |
|                   | CP0 $Ws$             | Compare $Ws$ with $0x0000$                             | 1          | 1             | C, DC, N, OV, Z       |
| CPB               | CPB $f$              | Compare $f$ with $WREG$ , with Borrow                  | 1          | 1             | C, DC, N, OV, Z       |
|                   | CPB $Wb, \#lit5$     | Compare $Wb$ with $lit5$ , with Borrow                 | 1          | 1             | C, DC, N, OV, Z       |
|                   | CPB $Wb, Ws$         | Compare $Wb$ with $Ws$ , with Borrow ( $Wb - Ws - C$ ) | 1          | 1             | C, DC, N, OV, Z       |
| CPSEQ             | CPSEQ $Wb, Wn$       | Compare $Wb$ with $Wn$ , Skip if =                     | 1          | 1<br>(2 or 3) | None                  |
| CPSGT             | CPSGT $Wb, Wn$       | Compare $Wb$ with $Wn$ , Skip if >                     | 1          | 1<br>(2 or 3) | None                  |
| CPSLT             | CPSLT $Wb, Wn$       | Compare $Wb$ with $Wn$ , Skip if <                     | 1          | 1<br>(2 or 3) | None                  |
| CPSNE             | CPSNE $Wb, Wn$       | Compare $Wb$ with $Wn$ , Skip if $\neq$                | 1          | 1<br>(2 or 3) | None                  |
| DAW               | DAW.B $Wn$           | $Wn =$ Decimal Adjust $Wn$                             | 1          | 1             | C                     |
| DEC               | DEC $f$              | $f = f - 1$                                            | 1          | 1             | C, DC, N, OV, Z       |
|                   | DEC $f, WREG$        | $WREG = f - 1$                                         | 1          | 1             | C, DC, N, OV, Z       |
|                   | DEC $Ws, Wd$         | $Wd = Ws - 1$                                          | 1          | 1             | C, DC, N, OV, Z       |
| DEC2              | DEC2 $f$             | $f = f - 2$                                            | 1          | 1             | C, DC, N, OV, Z       |
|                   | DEC2 $f, WREG$       | $WREG = f - 2$                                         | 1          | 1             | C, DC, N, OV, Z       |
|                   | DEC2 $Ws, Wd$        | $Wd = Ws - 2$                                          | 1          | 1             | C, DC, N, OV, Z       |
| DISI              | DISI $\#lit14$       | Disable Interrupts for $k$ Instruction Cycles          | 1          | 1             | None                  |
| DIV               | DIV.SW $Wm, Wn$      | Signed 16/16-bit Integer Divide                        | 1          | 18            | N, Z, C, OV           |
|                   | DIV.SD $Wm, Wn$      | Signed 32/16-bit Integer Divide                        | 1          | 18            | N, Z, C, OV           |
|                   | DIV.UW $Wm, Wn$      | Unsigned 16/16-bit Integer Divide                      | 1          | 18            | N, Z, C, OV           |
|                   | DIV.UD $Wm, Wn$      | Unsigned 32/16-bit Integer Divide                      | 1          | 18            | N, Z, C, OV           |
| EXCH              | EXCH $Wns, Wnd$      | Swap $Wns$ with $Wnd$                                  | 1          | 1             | None                  |
| FF1L              | FF1L $Ws, Wnd$       | Find First One from Left (MSb) Side                    | 1          | 1             | C                     |
| FF1R              | FF1R $Ws, Wnd$       | Find First One from Right (LSb) Side                   | 1          | 1             | C                     |

# PIC24FJ64GB004 FAMILY

**TABLE 28-2: INSTRUCTION SET OVERVIEW (CONTINUED)**

| Assembly Mnemonic | Assembly Syntax       | Description                                    | # of Words | # of Cycles | Status Flags Affected |
|-------------------|-----------------------|------------------------------------------------|------------|-------------|-----------------------|
| GOTO              | GOTO Expr             | Go to Address                                  | 2          | 2           | None                  |
|                   | GOTO Wn               | Go to Indirect                                 | 1          | 2           | None                  |
| INC               | INC f                 | $f = f + 1$                                    | 1          | 1           | C, DC, N, OV, Z       |
|                   | INC f, WREG           | WREG = $f + 1$                                 | 1          | 1           | C, DC, N, OV, Z       |
|                   | INC Ws, Wd            | Wd = Ws + 1                                    | 1          | 1           | C, DC, N, OV, Z       |
| INC2              | INC2 f                | $f = f + 2$                                    | 1          | 1           | C, DC, N, OV, Z       |
|                   | INC2 f, WREG          | WREG = $f + 2$                                 | 1          | 1           | C, DC, N, OV, Z       |
|                   | INC2 Ws, Wd           | Wd = Ws + 2                                    | 1          | 1           | C, DC, N, OV, Z       |
| IOR               | IOR f                 | $f = f .IOR. WREG$                             | 1          | 1           | N, Z                  |
|                   | IOR f, WREG           | WREG = $f .IOR. WREG$                          | 1          | 1           | N, Z                  |
|                   | IOR #lit10, Wn        | Wd = lit10 .IOR. Wd                            | 1          | 1           | N, Z                  |
|                   | IOR Wb, Ws, Wd        | Wd = Wb .IOR. Ws                               | 1          | 1           | N, Z                  |
|                   | IOR Wb, #lit5, Wd     | Wd = Wb .IOR. lit5                             | 1          | 1           | N, Z                  |
| LNK               | LNK #lit14            | Link Frame Pointer                             | 1          | 1           | None                  |
| LSR               | LSR f                 | f = Logical Right Shift f                      | 1          | 1           | C, N, OV, Z           |
|                   | LSR f, WREG           | WREG = Logical Right Shift f                   | 1          | 1           | C, N, OV, Z           |
|                   | LSR Ws, Wd            | Wd = Logical Right Shift Ws                    | 1          | 1           | C, N, OV, Z           |
|                   | LSR Wb, Wns, Wnd      | Wnd = Logical Right Shift Wb by Wns            | 1          | 1           | N, Z                  |
|                   | LSR Wb, #lit5, Wnd    | Wnd = Logical Right Shift Wb by lit5           | 1          | 1           | N, Z                  |
| MOV               | MOV f, Wn             | Move f to Wn                                   | 1          | 1           | None                  |
|                   | MOV [Wns+Slit10], Wnd | Move [Wns + Slit10] to Wnd                     | 1          | 1           | None                  |
|                   | MOV f                 | Move f to f                                    | 1          | 1           | N, Z                  |
|                   | MOV f, WREG           | Move f to WREG                                 | 1          | 1           | N, Z                  |
|                   | MOV #lit16, Wn        | Move 16-bit Literal to Wn                      | 1          | 1           | None                  |
|                   | MOV.b #lit8, Wn       | Move 8-bit Literal to Wn                       | 1          | 1           | None                  |
|                   | MOV Wn, f             | Move Wn to f                                   | 1          | 1           | None                  |
|                   | MOV Wns, [Wns+Slit10] | Move Wns to [Wns + Slit10]                     | 1          | 1           |                       |
|                   | MOV Wso, Wdo          | Move Ws to Wd                                  | 1          | 1           | None                  |
|                   | MOV WREG, f           | Move WREG to f                                 | 1          | 1           | N, Z                  |
|                   | MOV.D Wns, Wd         | Move Double from W(ns):W(ns + 1) to Wd         | 1          | 2           | None                  |
|                   | MOV.D Ws, Wnd         | Move Double from Ws to W(nd + 1):W(nd)         | 1          | 2           | None                  |
| MUL               | MUL.SS Wb, Ws, Wnd    | {Wnd + 1, Wnd} = Signed(Wb) * Signed(Ws)       | 1          | 1           | None                  |
|                   | MUL.SU Wb, Ws, Wnd    | {Wnd + 1, Wnd} = Signed(Wb) * Unsigned(Ws)     | 1          | 1           | None                  |
|                   | MUL.US Wb, Ws, Wnd    | {Wnd + 1, Wnd} = Unsigned(Wb) * Signed(Ws)     | 1          | 1           | None                  |
|                   | MUL.UU Wb, Ws, Wnd    | {Wnd + 1, Wnd} = Unsigned(Wb) * Unsigned(Ws)   | 1          | 1           | None                  |
|                   | MUL.SU Wb, #lit5, Wnd | {Wnd + 1, Wnd} = Signed(Wb) * Unsigned(lit5)   | 1          | 1           | None                  |
|                   | MUL.UU Wb, #lit5, Wnd | {Wnd + 1, Wnd} = Unsigned(Wb) * Unsigned(lit5) | 1          | 1           | None                  |
|                   | MUL f                 | W3:W2 = $f * WREG$                             | 1          | 1           | None                  |
| NEG               | NEG f                 | $f = \bar{f} + 1$                              | 1          | 1           | C, DC, N, OV, Z       |
|                   | NEG f, WREG           | WREG = $\bar{f} + 1$                           | 1          | 1           | C, DC, N, OV, Z       |
|                   | NEG Ws, Wd            | Wd = $\overline{Ws} + 1$                       | 1          | 1           | C, DC, N, OV, Z       |
| NOP               | NOP                   | No Operation                                   | 1          | 1           | None                  |
|                   | NOPR                  | No Operation                                   | 1          | 1           | None                  |
| POP               | POP f                 | Pop f from Top-of-Stack (TOS)                  | 1          | 1           | None                  |
|                   | POP Wdo               | Pop from Top-of-Stack (TOS) to Wdo             | 1          | 1           | None                  |
|                   | POP.D Wnd             | Pop from Top-of-Stack (TOS) to W(nd):W(nd + 1) | 1          | 2           | None                  |
|                   | POP.S                 | Pop Shadow Registers                           | 1          | 1           | All                   |
| PUSH              | PUSH f                | Push f to Top-of-Stack (TOS)                   | 1          | 1           | None                  |
|                   | PUSH Wso              | Push Wso to Top-of-Stack (TOS)                 | 1          | 1           | None                  |
|                   | PUSH.D Wns            | Push W(ns):W(ns + 1) to Top-of-Stack (TOS)     | 1          | 2           | None                  |
|                   | PUSH.S                | Push Shadow Registers                          | 1          | 1           | None                  |

# PIC24FJ64GB004 FAMILY

**TABLE 28-2: INSTRUCTION SET OVERVIEW (CONTINUED)**

| Assembly Mnemonic | Assembly Syntax     | Description                             | # of Words | # of Cycles | Status Flags Affected |
|-------------------|---------------------|-----------------------------------------|------------|-------------|-----------------------|
| PWRSVAV           | PWRSVAV #lit1       | Go into Sleep or Idle mode              | 1          | 1           | WDTO, Sleep           |
| RCALL             | RCALL Expr          | Relative Call                           | 1          | 2           | None                  |
|                   | RCALL Wn            | Computed Call                           | 1          | 2           | None                  |
| REPEAT            | REPEAT #lit14       | Repeat Next Instruction lit14 + 1 times | 1          | 1           | None                  |
|                   | REPEAT Wn           | Repeat Next Instruction (Wn) + 1 times  | 1          | 1           | None                  |
| RESET             | RESET               | Software Device Reset                   | 1          | 1           | None                  |
| RETFIE            | RETFIE              | Return from Interrupt                   | 1          | 3 (2)       | None                  |
| RETLW             | RETLW #lit10, Wn    | Return with Literal in Wn               | 1          | 3 (2)       | None                  |
| RETURN            | RETURN              | Return from Subroutine                  | 1          | 3 (2)       | None                  |
| RLC               | RLC f               | f = Rotate Left through Carry f         | 1          | 1           | C, N, Z               |
|                   | RLC f, WREG         | WREG = Rotate Left through Carry f      | 1          | 1           | C, N, Z               |
|                   | RLC Ws, Wd          | Wd = Rotate Left through Carry Ws       | 1          | 1           | C, N, Z               |
| RLNC              | RLNC f              | f = Rotate Left (No Carry) f            | 1          | 1           | N, Z                  |
|                   | RLNC f, WREG        | WREG = Rotate Left (No Carry) f         | 1          | 1           | N, Z                  |
|                   | RLNC Ws, Wd         | Wd = Rotate Left (No Carry) Ws          | 1          | 1           | N, Z                  |
| RRC               | RRC f               | f = Rotate Right through Carry f        | 1          | 1           | C, N, Z               |
|                   | RRC f, WREG         | WREG = Rotate Right through Carry f     | 1          | 1           | C, N, Z               |
|                   | RRC Ws, Wd          | Wd = Rotate Right through Carry Ws      | 1          | 1           | C, N, Z               |
| RRNC              | RRNC f              | f = Rotate Right (No Carry) f           | 1          | 1           | N, Z                  |
|                   | RRNC f, WREG        | WREG = Rotate Right (No Carry) f        | 1          | 1           | N, Z                  |
|                   | RRNC Ws, Wd         | Wd = Rotate Right (No Carry) Ws         | 1          | 1           | N, Z                  |
| SE                | SE Ws, Wnd          | Wnd = Sign-Extended Ws                  | 1          | 1           | C, N, Z               |
| SETM              | SETM f              | f = FFFFh                               | 1          | 1           | None                  |
|                   | SETM WREG           | WREG = FFFFh                            | 1          | 1           | None                  |
|                   | SETM Ws             | Ws = FFFFh                              | 1          | 1           | None                  |
| SL                | SL f                | f = Left Shift f                        | 1          | 1           | C, N, OV, Z           |
|                   | SL f, WREG          | WREG = Left Shift f                     | 1          | 1           | C, N, OV, Z           |
|                   | SL Ws, Wd           | Wd = Left Shift Ws                      | 1          | 1           | C, N, OV, Z           |
|                   | SL Wb, Wns, Wnd     | Wnd = Left Shift Wb by Wns              | 1          | 1           | N, Z                  |
|                   | SL Wb, #lit5, Wnd   | Wnd = Left Shift Wb by lit5             | 1          | 1           | N, Z                  |
| SUB               | SUB f               | f = f - WREG                            | 1          | 1           | C, DC, N, OV, Z       |
|                   | SUB f, WREG         | WREG = f - WREG                         | 1          | 1           | C, DC, N, OV, Z       |
|                   | SUB #lit10, Wn      | Wn = Wn - lit10                         | 1          | 1           | C, DC, N, OV, Z       |
|                   | SUB Wb, Ws, Wd      | Wd = Wb - Ws                            | 1          | 1           | C, DC, N, OV, Z       |
|                   | SUB Wb, #lit5, Wd   | Wd = Wb - lit5                          | 1          | 1           | C, DC, N, OV, Z       |
| SUBB              | SUBB f              | f = f - WREG - ( $\overline{C}$ )       | 1          | 1           | C, DC, N, OV, Z       |
|                   | SUBB f, WREG        | WREG = f - WREG - ( $\overline{C}$ )    | 1          | 1           | C, DC, N, OV, Z       |
|                   | SUBB #lit10, Wn     | Wn = Wn - lit10 - ( $\overline{C}$ )    | 1          | 1           | C, DC, N, OV, Z       |
|                   | SUBB Wb, Ws, Wd     | Wd = Wb - Ws - ( $\overline{C}$ )       | 1          | 1           | C, DC, N, OV, Z       |
|                   | SUBB Wb, #lit5, Wd  | Wd = Wb - lit5 - ( $\overline{C}$ )     | 1          | 1           | C, DC, N, OV, Z       |
| SUBR              | SUBR f              | f = WREG - f                            | 1          | 1           | C, DC, N, OV, Z       |
|                   | SUBR f, WREG        | WREG = WREG - f                         | 1          | 1           | C, DC, N, OV, Z       |
|                   | SUBR Wb, Ws, Wd     | Wd = Ws - Wb                            | 1          | 1           | C, DC, N, OV, Z       |
|                   | SUBR Wb, #lit5, Wd  | Wd = lit5 - Wb                          | 1          | 1           | C, DC, N, OV, Z       |
| SUBBR             | SUBBR f             | f = WREG - f - ( $\overline{C}$ )       | 1          | 1           | C, DC, N, OV, Z       |
|                   | SUBBR f, WREG       | WREG = WREG - f - ( $\overline{C}$ )    | 1          | 1           | C, DC, N, OV, Z       |
|                   | SUBBR Wb, Ws, Wd    | Wd = Ws - Wb - ( $\overline{C}$ )       | 1          | 1           | C, DC, N, OV, Z       |
|                   | SUBBR Wb, #lit5, Wd | Wd = lit5 - Wb - ( $\overline{C}$ )     | 1          | 1           | C, DC, N, OV, Z       |
| SWAP              | SWAP.b Wn           | Wn = Nibble Swap Wn                     | 1          | 1           | None                  |
|                   | SWAP Wn             | Wn = Byte Swap Wn                       | 1          | 1           | None                  |

# PIC24FJ64GB004 FAMILY

**TABLE 28-2: INSTRUCTION SET OVERVIEW (CONTINUED)**

| Assembly Mnemonic | Assembly Syntax          | Description                  | # of Words | # of Cycles | Status Flags Affected |
|-------------------|--------------------------|------------------------------|------------|-------------|-----------------------|
| TBLRDH            | TBLRDH <i>Ws, Wd</i>     | Read Prog<23:16> to Wd<7:0>  | 1          | 2           | None                  |
| TBLRDL            | TBLRDL <i>Ws, Wd</i>     | Read Prog<15:0> to Wd        | 1          | 2           | None                  |
| TBLWTH            | TBLWTH <i>Ws, Wd</i>     | Write Ws<7:0> to Prog<23:16> | 1          | 2           | None                  |
| TBLWTL            | TBLWTL <i>Ws, Wd</i>     | Write Ws to Prog<15:0>       | 1          | 2           | None                  |
| ULNK              | ULNK                     | Unlink Frame Pointer         | 1          | 1           | None                  |
| XOR               | XOR <i>f</i>             | $f = f .XOR. WREG$           | 1          | 1           | N, Z                  |
|                   | XOR <i>f, WREG</i>       | $WREG = f .XOR. WREG$        | 1          | 1           | N, Z                  |
|                   | XOR <i>#lit10, Wn</i>    | $Wd = lit10 .XOR. Wd$        | 1          | 1           | N, Z                  |
|                   | XOR <i>Wb, Ws, Wd</i>    | $Wd = Wb .XOR. Ws$           | 1          | 1           | N, Z                  |
|                   | XOR <i>Wb, #lit5, Wd</i> | $Wd = Wb .XOR. lit5$         | 1          | 1           | N, Z                  |
| ZE                | ZE <i>Ws, Wnd</i>        | $Wnd = Zero-Extend Ws$       | 1          | 1           | C, Z, N               |

# PIC24FJ64GB004 FAMILY

---

NOTES:



# PIC24FJ64GB004 FAMILY

## 29.0 ELECTRICAL CHARACTERISTICS

This section provides an overview of the PIC24FJ64GB004 family electrical characteristics. Additional information will be provided in future revisions of this document as it becomes available.

Absolute maximum ratings for the PIC24FJ64GB004 family are listed below. Exposure to these maximum rating conditions for extended periods may affect device reliability. Functional operation of the device at these, or any other conditions above the parameters indicated in the operation listings of this specification, is not implied.

### Absolute Maximum Ratings<sup>(†)</sup>

|                                                                                     |                       |
|-------------------------------------------------------------------------------------|-----------------------|
| Ambient temperature under bias .....                                                | -40°C to +135°C       |
| Storage temperature .....                                                           | -65°C to +150°C       |
| Voltage on VDD with respect to VSS .....                                            | -0.3V to +4.0V        |
| Voltage on any combined analog and digital pin, and MCLR, with respect to VSS ..... | -0.3V to (VDD + 0.3V) |
| Voltage on any digital only pin with respect to VSS .....                           | -0.3V to +6.0V        |
| Voltage on VDDCORE with respect to VSS .....                                        | -0.3V to +3.0V        |
| Maximum current out of VSS pin .....                                                | 300 mA                |
| Maximum current into VDD pin ( <b>Note 1</b> ).....                                 | 250 mA                |
| Maximum output current sunk by any I/O pin.....                                     | 25 mA                 |
| Maximum output current sourced by any I/O pin .....                                 | 25 mA                 |
| Maximum current sunk by all ports .....                                             | 200 mA                |
| Maximum current sourced by all ports ( <b>Note 1</b> ).....                         | 200 mA                |

**Note 1:** Maximum allowable current is a function of device maximum power dissipation (see Table 29-1).

NOTICE: Stresses above those listed under “Absolute Maximum Ratings” may cause permanent damage to the device. This is a stress rating only and functional operation of the device at those or any other conditions above those indicated in the operation listings of this specification is not implied. Exposure to maximum rating conditions for extended periods may affect device reliability.

# PIC24FJ64GB004 FAMILY

## 29.1 DC Characteristics

FIGURE 29-1: PIC24FJ64GB004 FAMILY VOLTAGE-FREQUENCY GRAPH (INDUSTRIAL)



FIGURE 29-2: PIC24FJ64GB004 FAMILY VOLTAGE-FREQUENCY GRAPH (EXTENDED TEMPERATURE)



# PIC24FJ64GB004 FAMILY

**TABLE 29-1: THERMAL OPERATING CONDITIONS**

| Rating                                                                                                                                                                                                                         | Symbol            | Min                                 | Typ | Max  | Unit |
|--------------------------------------------------------------------------------------------------------------------------------------------------------------------------------------------------------------------------------|-------------------|-------------------------------------|-----|------|------|
| PIC24FJ64GB004 Family:                                                                                                                                                                                                         |                   |                                     |     |      |      |
| Operating Junction Temperature Range                                                                                                                                                                                           | T <sub>J</sub>    | -40                                 | —   | +140 | °C   |
| Operating Ambient Temperature Range                                                                                                                                                                                            | T <sub>A</sub>    | -40                                 | —   | +125 | °C   |
| Power Dissipation:<br>Internal Chip Power Dissipation:<br>$P_{INT} = V_{DD} \times (I_{DD} - \sum I_{OH})$<br>I/O Pin Power Dissipation:<br>$P_{I/O} = \sum (\{V_{DD} - V_{OH}\} \times I_{OH}) + \sum (V_{OL} \times I_{OL})$ | P <sub>D</sub>    | P <sub>INT</sub> + P <sub>I/O</sub> |     |      | W    |
| Maximum Allowed Power Dissipation                                                                                                                                                                                              | P <sub>DMAX</sub> | $(T_J - T_A)/\theta_{JA}$           |     |      | W    |

**TABLE 29-2: THERMAL PACKAGING CHARACTERISTICS**

| Characteristic                              | Symbol        | Typ  | Max | Unit | Notes    |
|---------------------------------------------|---------------|------|-----|------|----------|
| Package Thermal Resistance, 300 mil SOIC    | $\theta_{JA}$ | 49   | —   | °C/W | (Note 1) |
| Package Thermal Resistance, 6x6x0.9 mm QFN  | $\theta_{JA}$ | 33.7 | —   | °C/W | (Note 1) |
| Package Thermal Resistance, 8x8x1 mm QFN    | $\theta_{JA}$ | 28   | —   | °C/W | (Note 1) |
| Package Thermal Resistance, 10x10x1 mm TQFP | $\theta_{JA}$ | 39.3 | —   | °C/W | (Note 1) |

**Note 1:** Junction to ambient thermal resistance; Theta-JA ( $\theta_{JA}$ ) numbers are achieved by package simulations.

# PIC24FJ64GB004 FAMILY

**TABLE 29-3: DC CHARACTERISTICS: TEMPERATURE AND VOLTAGE SPECIFICATIONS**

| DC CHARACTERISTICS       |                       |                                                                      | Standard Operating Conditions: 2.0V to 3.6V (unless otherwise stated)                       |                    |      |       |                                   |
|--------------------------|-----------------------|----------------------------------------------------------------------|---------------------------------------------------------------------------------------------|--------------------|------|-------|-----------------------------------|
|                          |                       |                                                                      | Operating temperature -40°C ≤ TA ≤ +85°C for Industrial<br>-40°C ≤ TA ≤ +125°C for Extended |                    |      |       |                                   |
| Param No.                | Symbol                | Characteristic                                                       | Min                                                                                         | Typ <sup>(1)</sup> | Max  | Units | Conditions                        |
| <b>Operating Voltage</b> |                       |                                                                      |                                                                                             |                    |      |       |                                   |
| DC10                     | <b>Supply Voltage</b> |                                                                      |                                                                                             |                    |      |       |                                   |
|                          | VDD                   |                                                                      | 2.2                                                                                         | —                  | 3.6  | V     | Regulator enabled                 |
|                          | VDD                   | VDDCORE                                                              | VDDCORE                                                                                     | —                  | 3.6  | V     | Regulator disabled                |
|                          | VDDCORE               |                                                                      | 2.0                                                                                         | —                  | 2.75 | V     | Regulator disabled                |
| DC12                     | VDR                   | <b>RAM Data Retention Voltage<sup>(2)</sup></b>                      | 1.5                                                                                         | —                  | —    | V     |                                   |
| DC16                     | VPOR                  | <b>VDD Start Voltage</b><br>to Ensure Internal Power-on Reset Signal | VSS                                                                                         | —                  | —    | V     |                                   |
| DC17                     | SVDD                  | <b>VDD Rise Rate</b><br>to Ensure Internal Power-on Reset Signal     | 0.05                                                                                        | —                  | —    | V/ms  | 0-3.3V in 0.1s<br>0-2.5V in 60 ms |
| DC18                     | VBOR                  | <b>Brown-out Reset Voltage</b>                                       | —                                                                                           | 2.05               | —    | V     |                                   |

**Note 1:** Data in “Typ” column is at 3.3V, 25°C unless otherwise stated. Parameters are for design guidance only and are not tested.

**2:** This is the limit to which VDD can be lowered without losing RAM data.

# PIC24FJ64GB004 FAMILY

**TABLE 29-4: DC CHARACTERISTICS: OPERATING CURRENT (IDD)**

| DC CHARACTERISTICS                           |                        |       | Standard Operating Conditions: 2.0V to 3.6V (unless otherwise stated)<br>Operating temperature -40°C ≤ TA ≤ +85°C for Industrial<br>-40°C ≤ TA ≤ +125°C for Extended |            |
|----------------------------------------------|------------------------|-------|----------------------------------------------------------------------------------------------------------------------------------------------------------------------|------------|
| Parameter No.                                | Typical <sup>(1)</sup> | Max   | Units                                                                                                                                                                | Conditions |
| <b>Operating Current (IDD)<sup>(2)</sup></b> |                        |       |                                                                                                                                                                      |            |
| DC21                                         | 0.24                   | 0.395 | mA                                                                                                                                                                   | -40°C      |
| DC21a                                        | 0.25                   | 0.395 | mA                                                                                                                                                                   | +25°C      |
| DC21b                                        | 0.25                   | 0.395 | mA                                                                                                                                                                   | +85°C      |
| DC21f                                        | 0.3                    | 0.395 | mA                                                                                                                                                                   | +125C      |
| DC21c                                        | 0.44                   | 0.78  | mA                                                                                                                                                                   | -40°C      |
| DC21d                                        | 0.41                   | 0.78  | mA                                                                                                                                                                   | +25°C      |
| DC21e                                        | 0.41                   | 0.78  | mA                                                                                                                                                                   | +85°C      |
| DC21g                                        | 0.6                    | 0.78  | mA                                                                                                                                                                   | +125C      |
| DC20                                         | 0.5                    | 0.75  | mA                                                                                                                                                                   | -40°C      |
| DC20a                                        | 0.5                    | 0.75  | mA                                                                                                                                                                   | +25°C      |
| DC20b                                        | 0.5                    | 0.75  | mA                                                                                                                                                                   | +85°C      |
| DC20c                                        | 0.6                    | 0.75  | mA                                                                                                                                                                   | +125C      |
| DC20d                                        | 0.75                   | 1.4   | mA                                                                                                                                                                   | -40°C      |
| DC20e                                        | 0.75                   | 1.4   | mA                                                                                                                                                                   | +25°C      |
| DC20f                                        | 0.75                   | 1.4   | mA                                                                                                                                                                   | +85°C      |
| DC20g                                        | 1.0                    | 1.4   | mA                                                                                                                                                                   | +125C      |
| DC23                                         | 2.0                    | 3.0   | mA                                                                                                                                                                   | -40°C      |
| DC23a                                        | 2.0                    | 3.0   | mA                                                                                                                                                                   | +25°C      |
| DC23b                                        | 2.0                    | 3.0   | mA                                                                                                                                                                   | +85°C      |
| DC23c                                        | 2.4                    | 3.0   | mA                                                                                                                                                                   | +125C      |
| DC23d                                        | 2.9                    | 4.2   | mA                                                                                                                                                                   | -40°C      |
| DC23e                                        | 2.9                    | 4.2   | mA                                                                                                                                                                   | +25°C      |
| DC23f                                        | 2.9                    | 4.2   | mA                                                                                                                                                                   | +85°C      |
| DC23g                                        | 3.5                    | 4.2   | mA                                                                                                                                                                   | +125C      |

- Note 1:** Data in "Typical" column is at 3.3V, 25°C unless otherwise stated. Parameters are for design guidance only and are not tested.
- 2:** The supply current is mainly a function of the operating voltage and frequency. Other factors, such as I/O pin loading and switching rate, oscillator type, internal code execution pattern and temperature, also have an impact on the current consumption. The test conditions for all IDD measurements are as follows: OSCI driven with external square wave from rail to rail. All I/O pins are configured as inputs and pulled to VDD. MCLR = VDD; WDT and FSCM are disabled. CPU, SRAM, program memory and data memory are operational. No peripheral modules are operating and all of the Peripheral Module Disable (PMD) bits are set.
- 3:** On-chip voltage regulator disabled (DISVREG tied to VDD).
- 4:** On-chip voltage regulator enabled (DISVREG tied to VSS). Low-Voltage Detect (LVD) and Brown-out Detect (BOD) are enabled.

# PIC24FJ64GB004 FAMILY

**TABLE 29-4: DC CHARACTERISTICS: OPERATING CURRENT (IDD) (CONTINUED)**

| DC CHARACTERISTICS                           |                        |       | Standard Operating Conditions: 2.0V to 3.6V (unless otherwise stated)<br>Operating temperature -40°C ≤ TA ≤ +85°C for Industrial<br>-40°C ≤ TA ≤ +125°C for Extended |            |                                          |
|----------------------------------------------|------------------------|-------|----------------------------------------------------------------------------------------------------------------------------------------------------------------------|------------|------------------------------------------|
| Parameter No.                                | Typical <sup>(1)</sup> | Max   | Units                                                                                                                                                                | Conditions |                                          |
| <b>Operating Current (IDD)<sup>(2)</sup></b> |                        |       |                                                                                                                                                                      |            |                                          |
| DC24                                         | 10.5                   | 15.5  | mA                                                                                                                                                                   | -40°C      | 2.5V <sup>(3)</sup><br><br>16 MIPS       |
| DC24a                                        | 10.5                   | 15.5  | mA                                                                                                                                                                   | +25°C      |                                          |
| DC24b                                        | 10.5                   | 15.5  | mA                                                                                                                                                                   | +85°C      |                                          |
| DC24c                                        | 11.3                   | 15.5  | mA                                                                                                                                                                   | +125C      |                                          |
| DC24d                                        | 11.3                   | 15.5  | mA                                                                                                                                                                   | -40°C      |                                          |
| DC24e                                        | 11.3                   | 15.5  | mA                                                                                                                                                                   | +25°C      |                                          |
| DC24f                                        | 11.3                   | 15.5  | mA                                                                                                                                                                   | +85°C      |                                          |
| DC24g                                        | 11.3                   | 15.5  | mA                                                                                                                                                                   | +125C      |                                          |
| DC31                                         | 15.0                   | 18.0  | μA                                                                                                                                                                   | -40°C      | 2.0V <sup>(3)</sup><br><br>LPRC (31 kHz) |
| DC31a                                        | 15.0                   | 19.0  | μA                                                                                                                                                                   | +25°C      |                                          |
| DC31b                                        | 20.0                   | 36.0  | μA                                                                                                                                                                   | +85°C      |                                          |
| DC31c                                        | 42.0                   | 55.0  | μA                                                                                                                                                                   | +125C      |                                          |
| DC31d                                        | 57.0                   | 120.0 | μA                                                                                                                                                                   | -40°C      |                                          |
| DC31e                                        | 57.0                   | 125.0 | μA                                                                                                                                                                   | +25°C      |                                          |
| DC31f                                        | 95.0                   | 160.0 | μA                                                                                                                                                                   | +85°C      |                                          |
| DC31g                                        | 114.0                  | 180.0 | μA                                                                                                                                                                   | +125C      |                                          |

- Note 1:** Data in “Typical” column is at 3.3V, 25°C unless otherwise stated. Parameters are for design guidance only and are not tested.
- 2:** The supply current is mainly a function of the operating voltage and frequency. Other factors, such as I/O pin loading and switching rate, oscillator type, internal code execution pattern and temperature, also have an impact on the current consumption. The test conditions for all IDD measurements are as follows: OSCI driven with external square wave from rail to rail. All I/O pins are configured as inputs and pulled to VDD. MCLR = VDD; WDT and FSCM are disabled. CPU, SRAM, program memory and data memory are operational. No peripheral modules are operating and all of the Peripheral Module Disable (PMD) bits are set.
- 3:** On-chip voltage regulator disabled (DISVREG tied to VDD).
- 4:** On-chip voltage regulator enabled (DISVREG tied to VSS). Low-Voltage Detect (LVD) and Brown-out Detect (BOD) are enabled.

# PIC24FJ64GB004 FAMILY

**TABLE 29-5: DC CHARACTERISTICS: IDLE CURRENT (I<sub>IDLE</sub>)**

| DC CHARACTERISTICS                                   |                        |      | Standard Operating Conditions: 2.0V to 3.6V (unless otherwise stated)<br>Operating temperature -40°C ≤ T <sub>A</sub> ≤ +85°C for Industrial<br>-40°C ≤ T <sub>A</sub> ≤ +125°C for Extended |            |
|------------------------------------------------------|------------------------|------|----------------------------------------------------------------------------------------------------------------------------------------------------------------------------------------------|------------|
| Parameter No.                                        | Typical <sup>(1)</sup> | Max  | Units                                                                                                                                                                                        | Conditions |
| <b>Idle Current (I<sub>IDLE</sub>)<sup>(2)</sup></b> |                        |      |                                                                                                                                                                                              |            |
| DC41                                                 | 67                     | 100  | μA                                                                                                                                                                                           | -40°C      |
| DC41a                                                | 68                     | 100  | μA                                                                                                                                                                                           | +25°C      |
| DC41b                                                | 74                     | 100  | μA                                                                                                                                                                                           | +85°C      |
| DC41f                                                | 102                    | 120  | μA                                                                                                                                                                                           | +125C      |
| DC41c                                                | 166                    | 265  | μA                                                                                                                                                                                           | -40°C      |
| DC41d                                                | 167                    | 265  | μA                                                                                                                                                                                           | +25°C      |
| DC41e                                                | 177                    | 265  | μA                                                                                                                                                                                           | +85°C      |
| DC41g                                                | 225                    | 285  | μA                                                                                                                                                                                           | +125C      |
| DC40                                                 | 125                    | 180  | μA                                                                                                                                                                                           | -40°C      |
| DC40a                                                | 125                    | 180  | μA                                                                                                                                                                                           | +25°C      |
| DC40b                                                | 125                    | 180  | μA                                                                                                                                                                                           | +85°C      |
| DC40c                                                | 167                    | 200  | μA                                                                                                                                                                                           | +125C      |
| DC40d                                                | 210                    | 350  | μA                                                                                                                                                                                           | -40°C      |
| DC40e                                                | 210                    | 350  | μA                                                                                                                                                                                           | +25°C      |
| DC40f                                                | 210                    | 350  | μA                                                                                                                                                                                           | +85°C      |
| DC40g                                                | 305                    | 370  | μA                                                                                                                                                                                           | +125C      |
| DC43                                                 | 0.5                    | 0.6  | mA                                                                                                                                                                                           | -40°C      |
| DC43a                                                | 0.5                    | 0.6  | mA                                                                                                                                                                                           | +25°C      |
| DC43b                                                | 0.5                    | 0.6  | mA                                                                                                                                                                                           | +85°C      |
| DC43c                                                | 0.54                   | 0.62 | mA                                                                                                                                                                                           | +125C      |
| DC43d                                                | 0.75                   | 0.95 | mA                                                                                                                                                                                           | -40°C      |
| DC43e                                                | 0.75                   | 0.95 | mA                                                                                                                                                                                           | +25°C      |
| DC43f                                                | 0.75                   | 0.95 | mA                                                                                                                                                                                           | +85°C      |
| DC43g                                                | 0.80                   | 0.97 | mA                                                                                                                                                                                           | +125C      |
| DC47                                                 | 2.6                    | 3.3  | mA                                                                                                                                                                                           | -40°C      |
| DC47a                                                | 2.6                    | 3.3  | mA                                                                                                                                                                                           | +25°C      |
| DC47b                                                | 2.6                    | 3.3  | mA                                                                                                                                                                                           | +85°C      |
| DC47f                                                | 2.7                    | 3.3  | mA                                                                                                                                                                                           | +125C      |
| DC47c                                                | 2.9                    | 3.5  | mA                                                                                                                                                                                           | -40°C      |
| DC47d                                                | 2.9                    | 3.5  | mA                                                                                                                                                                                           | +25°C      |
| DC47e                                                | 2.9                    | 3.5  | mA                                                                                                                                                                                           | +85°C      |
| DC47g                                                | 3.0                    | 3.6  | mA                                                                                                                                                                                           | +125C      |

**Note 1:** Data in "Typical" column is at 3.3V, 25°C unless otherwise stated. Parameters are for design guidance only and are not tested.

**2:** Base I<sub>IDLE</sub> current is measured with the core off, OSCI driven with external square wave from rail to rail. All I/O pins are configured as inputs and pulled to V<sub>DD</sub>. MCLR = V<sub>DD</sub>; WDT and FSCM are disabled. No peripheral modules are operating and all of the Peripheral Module Disable (PMD) bits are set.

**3:** On-chip voltage regulator disabled (DISVREG tied to V<sub>DD</sub>).

**4:** On-chip voltage regulator enabled (DISVREG tied to V<sub>SS</sub>). Low-Voltage Detect (LVD) and Brown-out Detect (BOD) are enabled.

# PIC24FJ64GB004 FAMILY

**TABLE 29-5: DC CHARACTERISTICS: IDLE CURRENT (I<sub>IDLE</sub>) (CONTINUED)**

| DC CHARACTERISTICS                                   |                        |     | Standard Operating Conditions: 2.0V to 3.6V (unless otherwise stated)<br>Operating temperature -40°C ≤ T <sub>A</sub> ≤ +85°C for Industrial<br>-40°C ≤ T <sub>A</sub> ≤ +125°C for Extended |            |                                          |
|------------------------------------------------------|------------------------|-----|----------------------------------------------------------------------------------------------------------------------------------------------------------------------------------------------|------------|------------------------------------------|
| Parameter No.                                        | Typical <sup>(1)</sup> | Max | Units                                                                                                                                                                                        | Conditions |                                          |
| <b>Idle Current (I<sub>IDLE</sub>)<sup>(2)</sup></b> |                        |     |                                                                                                                                                                                              |            |                                          |
| DC50                                                 | 0.8                    | 1.0 | mA                                                                                                                                                                                           | -40°C      | 2.0V <sup>(3)</sup><br><br>FRC (4 MIPS)  |
| DC50a                                                | 0.8                    | 1.0 | mA                                                                                                                                                                                           | +25°C      |                                          |
| DC50b                                                | 0.8                    | 1.0 | mA                                                                                                                                                                                           | +85°C      |                                          |
| DC50c                                                | 0.9                    | 1.1 | mA                                                                                                                                                                                           | +125C      |                                          |
| DC50d                                                | 1.1                    | 1.3 | mA                                                                                                                                                                                           | -40°C      |                                          |
| DC50e                                                | 1.1                    | 1.3 | mA                                                                                                                                                                                           | +25°C      |                                          |
| DC50f                                                | 1.1                    | 1.3 | mA                                                                                                                                                                                           | +85°C      |                                          |
| DC50g                                                | 1.2                    | 1.4 | mA                                                                                                                                                                                           | +125C      |                                          |
| DC51                                                 | 2.4                    | 8.0 | μA                                                                                                                                                                                           | -40°C      | 2.0V <sup>(3)</sup><br><br>LPRC (31 kHz) |
| DC51a                                                | 2.2                    | 8.0 | μA                                                                                                                                                                                           | +25°C      |                                          |
| DC51b                                                | 7.2                    | 21  | μA                                                                                                                                                                                           | +85°C      |                                          |
| DC51c                                                | 35                     | 50  | μA                                                                                                                                                                                           | +125C      |                                          |
| DC51d                                                | 38                     | 55  | μA                                                                                                                                                                                           | -40°C      |                                          |
| DC51e                                                | 44                     | 60  | μA                                                                                                                                                                                           | +25°C      |                                          |
| DC51f                                                | 70                     | 100 | μA                                                                                                                                                                                           | +85°C      |                                          |
| DC51g                                                | 96                     | 150 | μA                                                                                                                                                                                           | +125C      |                                          |

- Note 1:** Data in "Typical" column is at 3.3V, 25°C unless otherwise stated. Parameters are for design guidance only and are not tested.
- 2:** Base I<sub>IDLE</sub> current is measured with the core off, OSC<sub>I</sub> driven with external square wave from rail to rail. All I/O pins are configured as inputs and pulled to V<sub>DD</sub>. MCLR = V<sub>DD</sub>; WDT and FSCM are disabled. No peripheral modules are operating and all of the Peripheral Module Disable (PMD) bits are set.
- 3:** On-chip voltage regulator disabled (DISVREG tied to V<sub>DD</sub>).
- 4:** On-chip voltage regulator enabled (DISVREG tied to V<sub>SS</sub>). Low-Voltage Detect (LVD) and Brown-out Detect (BOD) are enabled.



# PIC24FJ64GB004 FAMILY

**TABLE 29-6: DC CHARACTERISTICS: POWER-DOWN BASE CURRENT (IPD)**

| DC CHARACTERISTICS                            |                        |      | Standard Operating Conditions: 2.0V to 3.6V (unless otherwise stated)<br>Operating temperature -40°C ≤ Ta ≤ +85°C for Industrial<br>-40°C ≤ Ta ≤ +125°C for Extended |            |                                        |
|-----------------------------------------------|------------------------|------|----------------------------------------------------------------------------------------------------------------------------------------------------------------------|------------|----------------------------------------|
| Parameter No.                                 | Typical <sup>(1)</sup> | Max  | Units                                                                                                                                                                | Conditions |                                        |
| <b>Power-Down Current (IPD)<sup>(2)</sup></b> |                        |      |                                                                                                                                                                      |            |                                        |
| DC60                                          | 0.05                   | 1.0  | μA                                                                                                                                                                   | -40°C      | Base Power-Down Current <sup>(5)</sup> |
| DC60a                                         | 0.2                    | 1.0  | μA                                                                                                                                                                   | +25°C      |                                        |
| DC60i                                         | 2.0                    | 6.5  | μA                                                                                                                                                                   | +60°C      |                                        |
| DC60b                                         | 3.5                    | 12   | μA                                                                                                                                                                   | +85°C      |                                        |
| DC60m                                         | 29.9                   | 50   | μA                                                                                                                                                                   | +125C      |                                        |
| DC60c                                         | 0.1                    | 1.0  | μA                                                                                                                                                                   | -40°C      |                                        |
| DC60d                                         | 0.4                    | 1.0  | μA                                                                                                                                                                   | +25°C      |                                        |
| DC60j                                         | 2.5                    | 15   | μA                                                                                                                                                                   | +60°C      |                                        |
| DC60e                                         | 4.2                    | 25   | μA                                                                                                                                                                   | +85°C      |                                        |
| DC60n                                         | 36.2                   | 75   | μA                                                                                                                                                                   | +125C      |                                        |
| DC60f                                         | 3.3                    | 9.0  | μA                                                                                                                                                                   | -40°C      |                                        |
| DC60g                                         | 3.3                    | 10   | μA                                                                                                                                                                   | +25°C      |                                        |
| DC60k                                         | 5.0                    | 20   | μA                                                                                                                                                                   | +60°C      |                                        |
| DC60h                                         | 7.0                    | 30   | μA                                                                                                                                                                   | +85°C      |                                        |
| DC60p                                         | 39.2                   | 80   | μA                                                                                                                                                                   | +125C      |                                        |
| DC70c                                         | 0.003                  | 0.2  | μA                                                                                                                                                                   | -40°C      | Base Deep Sleep Current                |
| DC70d                                         | 0.02                   | 0.2  | μA                                                                                                                                                                   | +25°C      |                                        |
| DC70j                                         | 0.2                    | 0.35 | μA                                                                                                                                                                   | +60°C      |                                        |
| DC70e                                         | 0.51                   | 1.5  | μA                                                                                                                                                                   | +85°C      |                                        |
| DC70a                                         | 6.1                    | 12   | μA                                                                                                                                                                   | +125C      |                                        |
| DC70f                                         | 0.01                   | 0.3  | μA                                                                                                                                                                   | -40°C      |                                        |
| DC70g                                         | 0.04                   | 0.3  | μA                                                                                                                                                                   | +25°C      |                                        |
| DC70k                                         | 0.2                    | 0.5  | μA                                                                                                                                                                   | +60°C      |                                        |
| DC70h                                         | 0.71                   | 2.0  | μA                                                                                                                                                                   | +85°C      |                                        |
| DC70b                                         | 7.2                    | 16   | μA                                                                                                                                                                   | +125C      |                                        |

**Note 1:** Data in the Typical column is at 3.3V, 25°C unless otherwise stated. Parameters are for design guidance only and are not tested.

- 2:** Base IPD is measured with the device in Sleep mode (all peripherals and clocks shut down). All I/Os are configured as inputs and pulled high. WDT, etc., are all switched off, PMSLP bit is clear and the Peripheral Module Disable (PMD) bits for all unused peripherals are set.
- 3:** On-chip voltage regulator disabled (DISVREG tied to VDD).
- 4:** On-chip voltage regulator enabled (DISVREG tied to Vss). Low-Voltage Detect (LVD) and Brown-out Detect (BOD) are enabled.
- 5:** The Δ current is the additional current consumed when the module is enabled. This current should be added to the base IPD current.

# PIC24FJ64GB004 FAMILY

**TABLE 29-7: DC CHARACTERISTICS: POWER-DOWN PERIPHERAL MODULE  $\Delta$  CURRENT (IPD)**

| DC CHARACTERISTICS                                                                                    |                        |     | Standard Operating Conditions: 2.0V to 3.6V (unless otherwise stated)<br>Operating temperature $-40^{\circ}\text{C} \leq T_A \leq +85^{\circ}\text{C}$ for Industrial<br>$-40^{\circ}\text{C} \leq T_A \leq +125^{\circ}\text{C}$ for Extended |                        |                                                                                                                                             |
|-------------------------------------------------------------------------------------------------------|------------------------|-----|------------------------------------------------------------------------------------------------------------------------------------------------------------------------------------------------------------------------------------------------|------------------------|---------------------------------------------------------------------------------------------------------------------------------------------|
| Parameter No.                                                                                         | Typical <sup>(1)</sup> | Max | Units                                                                                                                                                                                                                                          | Conditions             |                                                                                                                                             |
| <b><math>\Delta</math> Power-Down Current (IPD): PMD Bits are Set, PMSLP Bit is '0'<sup>(2)</sup></b> |                        |     |                                                                                                                                                                                                                                                |                        |                                                                                                                                             |
| DC61                                                                                                  | 0.2                    | 0.7 | $\mu\text{A}$                                                                                                                                                                                                                                  | $-40^{\circ}\text{C}$  | 2.0V <sup>(3)</sup><br><br>31 kHz LPRC Oscillator with RTCC, WDT, DSWDT or Timer 1: $\Delta\text{ILPRC}$ <sup>(5)</sup>                     |
| DC61a                                                                                                 | 0.2                    | 0.7 | $\mu\text{A}$                                                                                                                                                                                                                                  | $+25^{\circ}\text{C}$  |                                                                                                                                             |
| DC61i                                                                                                 | 0.2                    | 0.7 | $\mu\text{A}$                                                                                                                                                                                                                                  | $+60^{\circ}\text{C}$  |                                                                                                                                             |
| DC61b                                                                                                 | 0.23                   | 0.7 | $\mu\text{A}$                                                                                                                                                                                                                                  | $+85^{\circ}\text{C}$  |                                                                                                                                             |
| DC61m                                                                                                 | 0.3                    | 1.0 | $\mu\text{A}$                                                                                                                                                                                                                                  | $+125^{\circ}\text{C}$ |                                                                                                                                             |
| DC61c                                                                                                 | 0.25                   | 0.9 | $\mu\text{A}$                                                                                                                                                                                                                                  | $-40^{\circ}\text{C}$  |                                                                                                                                             |
| DC61d                                                                                                 | 0.25                   | 0.9 | $\mu\text{A}$                                                                                                                                                                                                                                  | $+25^{\circ}\text{C}$  |                                                                                                                                             |
| DC61j                                                                                                 | 0.25                   | 0.9 | $\mu\text{A}$                                                                                                                                                                                                                                  | $+60^{\circ}\text{C}$  |                                                                                                                                             |
| DC61e                                                                                                 | 0.28                   | 0.9 | $\mu\text{A}$                                                                                                                                                                                                                                  | $+85^{\circ}\text{C}$  |                                                                                                                                             |
| DC61p                                                                                                 | 0.5                    | 1.2 | $\mu\text{A}$                                                                                                                                                                                                                                  | $+125^{\circ}\text{C}$ |                                                                                                                                             |
| DC61f                                                                                                 | 0.6                    | 1.5 | $\mu\text{A}$                                                                                                                                                                                                                                  | $-40^{\circ}\text{C}$  |                                                                                                                                             |
| DC61g                                                                                                 | 0.6                    | 1.5 | $\mu\text{A}$                                                                                                                                                                                                                                  | $+25^{\circ}\text{C}$  |                                                                                                                                             |
| DC61k                                                                                                 | 0.6                    | 1.5 | $\mu\text{A}$                                                                                                                                                                                                                                  | $+60^{\circ}\text{C}$  |                                                                                                                                             |
| DC61h                                                                                                 | 0.8                    | 1.5 | $\mu\text{A}$                                                                                                                                                                                                                                  | $+85^{\circ}\text{C}$  |                                                                                                                                             |
| DC61n                                                                                                 | 1.0                    | 1.7 | $\mu\text{A}$                                                                                                                                                                                                                                  | $+125^{\circ}\text{C}$ |                                                                                                                                             |
| DC62                                                                                                  | 0.5                    | 1.0 | $\mu\text{A}$                                                                                                                                                                                                                                  | $-40^{\circ}\text{C}$  | 2.0V <sup>(3)</sup><br><br>Low drive strength, 32 kHz Crystal with RTCC, DSWDT or Timer1: $\Delta\text{sosc}$ ; SOSCSEL = 01 <sup>(5)</sup> |
| DC62a                                                                                                 | 0.5                    | 1.0 | $\mu\text{A}$                                                                                                                                                                                                                                  | $+25^{\circ}\text{C}$  |                                                                                                                                             |
| DC62i                                                                                                 | 0.5                    | 1.0 | $\mu\text{A}$                                                                                                                                                                                                                                  | $+60^{\circ}\text{C}$  |                                                                                                                                             |
| DC62b                                                                                                 | 0.5                    | 1.3 | $\mu\text{A}$                                                                                                                                                                                                                                  | $+85^{\circ}\text{C}$  |                                                                                                                                             |
| DC62m                                                                                                 | 0.6                    | 1.6 | $\mu\text{A}$                                                                                                                                                                                                                                  | $+125^{\circ}\text{C}$ |                                                                                                                                             |
| DC62c                                                                                                 | 0.7                    | 1.5 | $\mu\text{A}$                                                                                                                                                                                                                                  | $-40^{\circ}\text{C}$  |                                                                                                                                             |
| DC62d                                                                                                 | 0.7                    | 1.5 | $\mu\text{A}$                                                                                                                                                                                                                                  | $+25^{\circ}\text{C}$  |                                                                                                                                             |
| DC62j                                                                                                 | 0.7                    | 1.5 | $\mu\text{A}$                                                                                                                                                                                                                                  | $+60^{\circ}\text{C}$  |                                                                                                                                             |
| DC62e                                                                                                 | 0.7                    | 1.8 | $\mu\text{A}$                                                                                                                                                                                                                                  | $+85^{\circ}\text{C}$  |                                                                                                                                             |
| DC62n                                                                                                 | 0.8                    | 2.1 | $\mu\text{A}$                                                                                                                                                                                                                                  | $+125^{\circ}\text{C}$ |                                                                                                                                             |
| DC62f                                                                                                 | 1.5                    | 2.0 | $\mu\text{A}$                                                                                                                                                                                                                                  | $-40^{\circ}\text{C}$  |                                                                                                                                             |
| DC62g                                                                                                 | 1.5                    | 2.0 | $\mu\text{A}$                                                                                                                                                                                                                                  | $+25^{\circ}\text{C}$  |                                                                                                                                             |
| DC62k                                                                                                 | 1.5                    | 2.0 | $\mu\text{A}$                                                                                                                                                                                                                                  | $+60^{\circ}\text{C}$  |                                                                                                                                             |
| DC62h                                                                                                 | 1.5                    | 2.5 | $\mu\text{A}$                                                                                                                                                                                                                                  | $+85^{\circ}\text{C}$  |                                                                                                                                             |
| DC62p                                                                                                 | 1.9                    | 3.0 | $\mu\text{A}$                                                                                                                                                                                                                                  | $+125^{\circ}\text{C}$ |                                                                                                                                             |

**Note 1:** Data in the Typical column is at 3.3V, 25°C unless otherwise stated. Parameters are for design guidance only and are not tested.

**2:** Peripheral IPD deltas are measured with the device in Sleep mode (all peripherals and clocks shut down). All I/Os are configured as inputs and pulled high. Only the peripheral or clock being measured is enabled. PMSLP bit is clear and the Peripheral Module Disable bits (PMD) for all unused peripherals are set.

**3:** On-chip voltage regulator disabled (DISVREG tied to VDD).

**4:** On-chip voltage regulator enabled (DISVREG tied to VSS). Low-Voltage Detect (LVD) and Brown-out Detect (BOD) are enabled.

**5:** The  $\Delta$  current is the additional current consumed when the module is enabled. This current should be added to the base IPD current.

# PIC24FJ64GB004 FAMILY

**TABLE 29-7: DC CHARACTERISTICS: POWER-DOWN PERIPHERAL MODULE  $\Delta$  CURRENT (IPD) (CONTINUED)**

| DC CHARACTERISTICS                                                                                    |                        |      | Standard Operating Conditions: 2.0V to 3.6V (unless otherwise stated)<br>Operating temperature $-40^{\circ}\text{C} \leq T_A \leq +85^{\circ}\text{C}$ for Industrial<br>$-40^{\circ}\text{C} \leq T_A \leq +125^{\circ}\text{C}$ for Extended |                        |                                                                                                   |
|-------------------------------------------------------------------------------------------------------|------------------------|------|------------------------------------------------------------------------------------------------------------------------------------------------------------------------------------------------------------------------------------------------|------------------------|---------------------------------------------------------------------------------------------------|
| Parameter No.                                                                                         | Typical <sup>(1)</sup> | Max  | Units                                                                                                                                                                                                                                          | Conditions             |                                                                                                   |
| <b><math>\Delta</math> Power-Down Current (IPD): PMD Bits are Set, PMSLP Bit is '0'<sup>(2)</sup></b> |                        |      |                                                                                                                                                                                                                                                |                        |                                                                                                   |
| DC63                                                                                                  | 1.8                    | 2.3  | $\mu\text{A}$                                                                                                                                                                                                                                  | $-40^{\circ}\text{C}$  | 32 kHz Crystal with RTCC, DSWDT or Timer1: $\Delta I_{\text{SOSC}}$ ; SOSCSEL = 11 <sup>(5)</sup> |
| DC63a                                                                                                 | 1.8                    | 2.7  | $\mu\text{A}$                                                                                                                                                                                                                                  | $+25^{\circ}\text{C}$  |                                                                                                   |
| DC63i                                                                                                 | 1.8                    | 3.0  | $\mu\text{A}$                                                                                                                                                                                                                                  | $+60^{\circ}\text{C}$  |                                                                                                   |
| DC63b                                                                                                 | 1.8                    | 3.0  | $\mu\text{A}$                                                                                                                                                                                                                                  | $+85^{\circ}\text{C}$  |                                                                                                   |
| DC63m                                                                                                 | 2.2                    | 3.3  | $\mu\text{A}$                                                                                                                                                                                                                                  | $+125^{\circ}\text{C}$ |                                                                                                   |
| DC63c                                                                                                 | 2                      | 2.7  | $\mu\text{A}$                                                                                                                                                                                                                                  | $-40^{\circ}\text{C}$  |                                                                                                   |
| DC63d                                                                                                 | 2                      | 2.9  | $\mu\text{A}$                                                                                                                                                                                                                                  | $+25^{\circ}\text{C}$  |                                                                                                   |
| DC63j                                                                                                 | 2                      | 3.2  | $\mu\text{A}$                                                                                                                                                                                                                                  | $+60^{\circ}\text{C}$  |                                                                                                   |
| DC63e                                                                                                 | 2                      | 3.5  | $\mu\text{A}$                                                                                                                                                                                                                                  | $+85^{\circ}\text{C}$  |                                                                                                   |
| DC63n                                                                                                 | 2.5                    | 3.8  | $\mu\text{A}$                                                                                                                                                                                                                                  | $+125^{\circ}\text{C}$ |                                                                                                   |
| DC63f                                                                                                 | 2.25                   | 3.0  | $\mu\text{A}$                                                                                                                                                                                                                                  | $-40^{\circ}\text{C}$  |                                                                                                   |
| DC63g                                                                                                 | 2.25                   | 3.0  | $\mu\text{A}$                                                                                                                                                                                                                                  | $+25^{\circ}\text{C}$  |                                                                                                   |
| DC63k                                                                                                 | 2.25                   | 3.3  | $\mu\text{A}$                                                                                                                                                                                                                                  | $+60^{\circ}\text{C}$  |                                                                                                   |
| DC63h                                                                                                 | 2.25                   | 3.5  | $\mu\text{A}$                                                                                                                                                                                                                                  | $+85^{\circ}\text{C}$  |                                                                                                   |
| DC63p                                                                                                 | 2.8                    | 4.0  | $\mu\text{A}$                                                                                                                                                                                                                                  | $+125^{\circ}\text{C}$ |                                                                                                   |
| DC71c                                                                                                 | 0.001                  | 0.25 | $\mu\text{A}$                                                                                                                                                                                                                                  | $-40^{\circ}\text{C}$  | Deep Sleep BOR: $\Delta I_{\text{DSBOR}}$ <sup>(5)</sup>                                          |
| DC71d                                                                                                 | 0.03                   | 0.25 | $\mu\text{A}$                                                                                                                                                                                                                                  | $+25^{\circ}\text{C}$  |                                                                                                   |
| DC71j                                                                                                 | 0.05                   | 0.60 | $\mu\text{A}$                                                                                                                                                                                                                                  | $+60^{\circ}\text{C}$  |                                                                                                   |
| DC71e                                                                                                 | 0.08                   | 2.0  | $\mu\text{A}$                                                                                                                                                                                                                                  | $+85^{\circ}\text{C}$  |                                                                                                   |
| DC71a                                                                                                 | 3.9                    | 10   | $\mu\text{A}$                                                                                                                                                                                                                                  | $+125^{\circ}\text{C}$ |                                                                                                   |
| DC71f                                                                                                 | 0.001                  | 0.50 | $\mu\text{A}$                                                                                                                                                                                                                                  | $-40^{\circ}\text{C}$  |                                                                                                   |
| DC71g                                                                                                 | 0.03                   | 0.50 | $\mu\text{A}$                                                                                                                                                                                                                                  | $+25^{\circ}\text{C}$  |                                                                                                   |
| DC71k                                                                                                 | 0.05                   | 0.75 | $\mu\text{A}$                                                                                                                                                                                                                                  | $+60^{\circ}\text{C}$  |                                                                                                   |
| DC71h                                                                                                 | 0.08                   | 2.5  | $\mu\text{A}$                                                                                                                                                                                                                                  | $+85^{\circ}\text{C}$  |                                                                                                   |
| DC71b                                                                                                 | 3.9                    | 12.5 | $\mu\text{A}$                                                                                                                                                                                                                                  | $+125^{\circ}\text{C}$ |                                                                                                   |

**Note 1:** Data in the Typical column is at 3.3V, 25°C unless otherwise stated. Parameters are for design guidance only and are not tested.

- 2:** Peripheral IPD deltas are measured with the device in Sleep mode (all peripherals and clocks shut down). All I/Os are configured as inputs and pulled high. Only the peripheral or clock being measured is enabled. PMSLP bit is clear and the Peripheral Module Disable bits (PMD) for all unused peripherals are set.
- 3:** On-chip voltage regulator disabled (DISVREG tied to VDD).
- 4:** On-chip voltage regulator enabled (DISVREG tied to VSS). Low-Voltage Detect (LVD) and Brown-out Detect (BOD) are enabled.
- 5:** The  $\Delta$  current is the additional current consumed when the module is enabled. This current should be added to the base IPD current.

# PIC24FJ64GB004 FAMILY

**TABLE 29-8: DC CHARACTERISTICS: I/O PIN INPUT SPECIFICATIONS**

| DC CHARACTERISTICS |                 |                                                                                  | Standard Operating Conditions: 2.0V to 3.6V (unless otherwise stated)                       |                    |                        |        |                                                                                 |
|--------------------|-----------------|----------------------------------------------------------------------------------|---------------------------------------------------------------------------------------------|--------------------|------------------------|--------|---------------------------------------------------------------------------------|
|                    |                 |                                                                                  | Operating temperature -40°C ≤ TA ≤ +85°C for Industrial<br>-40°C ≤ TA ≤ +125°C for Extended |                    |                        |        |                                                                                 |
| Param No.          | Sym             | Characteristic                                                                   | Min                                                                                         | Typ <sup>(1)</sup> | Max                    | Units  | Conditions                                                                      |
|                    | V <sub>IL</sub> | <b>Input Low Voltage<sup>(4)</sup></b>                                           |                                                                                             |                    |                        |        |                                                                                 |
| DI10               |                 | I/O Pins with ST Buffer                                                          | V <sub>SS</sub>                                                                             | —                  | 0.2 V <sub>DD</sub>    | V      |                                                                                 |
| DI11               |                 | I/O Pins with TTL Buffer                                                         | V <sub>SS</sub>                                                                             | —                  | 0.15 V <sub>DD</sub>   | V      |                                                                                 |
| DI15               |                 | $\overline{\text{MCLR}}$                                                         | V <sub>SS</sub>                                                                             | —                  | 0.2 V <sub>DD</sub>    | V      |                                                                                 |
| DI16               |                 | OSC1 (XT mode)                                                                   | V <sub>SS</sub>                                                                             | —                  | 0.2 V <sub>DD</sub>    | V      |                                                                                 |
| DI17               |                 | OSC1 (HS mode)                                                                   | V <sub>SS</sub>                                                                             | —                  | 0.2 V <sub>DD</sub>    | V      |                                                                                 |
| DI18               |                 | I/O Pins with I <sup>2</sup> C™ Buffer:                                          | V <sub>SS</sub>                                                                             | —                  | 0.3 V <sub>DD</sub>    | V      |                                                                                 |
| DI19               |                 | I/O Pins with SMBus Buffer:                                                      | V <sub>SS</sub>                                                                             | —                  | 0.8                    | V      | SMBus enabled                                                                   |
|                    | V <sub>IH</sub> | <b>Input High Voltage<sup>(4)</sup></b>                                          |                                                                                             |                    |                        |        |                                                                                 |
| DI20               |                 | I/O Pins with ST Buffer:<br>with Analog Functions,<br>Digital Only               | 0.8 V <sub>DD</sub><br>0.8 V <sub>DD</sub>                                                  | —<br>—             | V <sub>DD</sub><br>5.5 | V<br>V |                                                                                 |
| DI21               |                 | I/O Pins with TTL Buffer:<br>with Analog Functions,<br>Digital Only              | 0.25 V <sub>DD</sub> + 0.8<br>0.25 V <sub>DD</sub> + 0.8                                    | —<br>—             | V <sub>DD</sub><br>5.5 | V<br>V |                                                                                 |
| DI25               |                 | $\overline{\text{MCLR}}$                                                         | 0.8 V <sub>DD</sub>                                                                         | —                  | V <sub>DD</sub>        | V      |                                                                                 |
| DI26               |                 | OSC1 (XT mode)                                                                   | 0.7 V <sub>DD</sub>                                                                         | —                  | V <sub>DD</sub>        | V      |                                                                                 |
| DI27               |                 | OSC1 (HS mode)                                                                   | 0.7 V <sub>DD</sub>                                                                         | —                  | V <sub>DD</sub>        | V      |                                                                                 |
| DI28               |                 | I/O Pins with I <sup>2</sup> C Buffer:<br>with Analog Functions,<br>Digital Only | 0.7 V <sub>DD</sub><br>0.7 V <sub>DD</sub>                                                  | —<br>—             | V <sub>DD</sub><br>5.5 | V<br>V |                                                                                 |
| DI29               |                 | I/O Pins with SMBus Buffer:<br>with Analog Functions,<br>Digital Only            | 2.1<br>2.1                                                                                  | —<br>—             | V <sub>DD</sub><br>5.5 | V<br>V | 2.5V ≤ V <sub>PIN</sub> ≤ V <sub>DD</sub>                                       |
| DI30               | ICNPU           | <b>CNx Pull-up Current</b>                                                       | 50                                                                                          | 250                | 400                    | μA     | V <sub>DD</sub> = 3.3V, V <sub>PIN</sub> = V <sub>SS</sub>                      |
|                    | I <sub>IL</sub> | <b>Input Leakage Current<sup>(2,3)</sup></b>                                     |                                                                                             |                    |                        |        |                                                                                 |
| DI50               |                 | I/O Ports                                                                        | —                                                                                           | —                  | ±50                    | nA     | V <sub>SS</sub> ≤ V <sub>PIN</sub> ≤ V <sub>DD</sub> ,<br>Pin at high-impedance |
| DI51               |                 | Analog Input Pins                                                                | —                                                                                           | —                  | ±50                    | nA     | V <sub>SS</sub> ≤ V <sub>PIN</sub> ≤ V <sub>DD</sub> ,<br>Pin at high-impedance |
| DI52               |                 | USB Differential Pins<br>(D+, D-)                                                | —                                                                                           | —                  | ±50                    | nA     | V <sub>USB</sub> ≥ V <sub>DD</sub>                                              |
| DI55               |                 | $\overline{\text{MCLR}}$                                                         | —                                                                                           | —                  | ±50                    | nA     | V <sub>SS</sub> ≤ V <sub>PIN</sub> ≤ V <sub>DD</sub>                            |
| DI56               |                 | OSC1                                                                             | —                                                                                           | —                  | ±50                    | nA     | V <sub>SS</sub> ≤ V <sub>PIN</sub> ≤ V <sub>DD</sub> ,<br>XT and HS modes       |

**Note 1:** Data in “Typ” column is at 3.3V, 25°C unless otherwise stated. Parameters are for design guidance only and are not tested.

**2:** The leakage current on the  $\overline{\text{MCLR}}$  pin is strongly dependent on the applied voltage level. The specified levels represent normal operating conditions. Higher leakage current may be measured at different input voltages.

**3:** Negative current is defined as current sourced by the pin.

**4:** Refer to Table 1-2 for I/O pins buffer types.

# PIC24FJ64GB004 FAMILY

**TABLE 29-9: DC CHARACTERISTICS: I/O PIN OUTPUT SPECIFICATIONS**

| DC CHARACTERISTICS |     |                                  | Standard Operating Conditions: 2.0V to 3.6V (unless otherwise stated)                       |                    |     |       |                                  |
|--------------------|-----|----------------------------------|---------------------------------------------------------------------------------------------|--------------------|-----|-------|----------------------------------|
|                    |     |                                  | Operating temperature -40°C ≤ TA ≤ +85°C for Industrial<br>-40°C ≤ TA ≤ +125°C for Extended |                    |     |       |                                  |
| Param No.          | Sym | Characteristic                   | Min                                                                                         | Typ <sup>(1)</sup> | Max | Units | Conditions                       |
| DO10               | VOL | Output Low Voltage<br>I/O Ports  | —                                                                                           | —                  | 0.4 | V     | IOL = 8.5 mA, VDD = 3.6V         |
|                    |     |                                  | —                                                                                           | —                  | 0.4 | V     | IOL = 5.0 mA, VDD = 2.0V         |
| DO16               |     | I/O Ports                        | —                                                                                           | —                  | 0.4 | V     | IOL = 8.0 mA, VDD = 3.6V, 125°C  |
|                    |     |                                  | —                                                                                           | —                  | 0.4 | V     | IOL = 4.5 mA, VDD = 2.0V, 125°C  |
| DO20               | VOH | Output High Voltage<br>I/O Ports | 3.0                                                                                         | —                  | —   | V     | IOH = -3.0 mA, VDD = 3.6V        |
|                    |     |                                  | 2.4                                                                                         | —                  | —   | V     | IOH = -6.0 mA, VDD = 3.6V        |
|                    |     |                                  | 1.65                                                                                        | —                  | —   | V     | IOH = -1.0 mA, VDD = 2.0V        |
|                    |     |                                  | 1.4                                                                                         | —                  | —   | V     | IOH = -3.0 mA, VDD = 2.0V        |
| DO26               |     | I/O Ports                        | 3.0                                                                                         | —                  | —   | V     | IOH = -2.5 mA, VDD = 3.6V, 125°C |
|                    |     |                                  | 1.65                                                                                        | —                  | —   | V     | IOH = -0.5 mA, VDD = 2.0V, 125°C |

**Note 1:** Data in “Typ” column is at 3.3V, 25°C unless otherwise stated. Parameters are for design guidance only and are not tested.

**TABLE 29-10: DC CHARACTERISTICS: PROGRAM MEMORY**

| DC CHARACTERISTICS |       |                                      | Standard Operating Conditions: 2.0V to 3.6V (unless otherwise stated)                       |                    |     |       |                                               |
|--------------------|-------|--------------------------------------|---------------------------------------------------------------------------------------------|--------------------|-----|-------|-----------------------------------------------|
|                    |       |                                      | Operating temperature -40°C ≤ TA ≤ +85°C for Industrial<br>-40°C ≤ TA ≤ +125°C for Extended |                    |     |       |                                               |
| Param No.          | Sym   | Characteristic                       | Min                                                                                         | Typ <sup>(1)</sup> | Max | Units | Conditions                                    |
| D130               | EP    | Cell Endurance                       | 10,000                                                                                      | —                  | —   | E/W   | -40°C to +85°C                                |
| D131               | VPR   | VDD for Read                         | V <sub>MIN</sub>                                                                            | —                  | 3.6 | V     | V <sub>MIN</sub> = Minimum operating voltage  |
| D132A<br>D132B     | VPEW  | Supply Voltage for Self-Timed Writes |                                                                                             |                    |     |       |                                               |
|                    |       | VDDCORE                              | 2.25                                                                                        | —                  | 3.6 | V     |                                               |
|                    |       | VDD                                  | 2.35                                                                                        | —                  | 3.6 | V     |                                               |
| D133A              | TiW   | Self-Timed Write Cycle Time          | —                                                                                           | 3                  | —   | ms    |                                               |
| D133B              | TiE   | Self-Timed Page Erase Time           | 40                                                                                          | —                  | —   | ms    |                                               |
| D134               | TRETD | Characteristic Retention             | 20                                                                                          | —                  | —   | Year  | Provided no other specifications are violated |
| D135               | IDDP  | Supply Current during Programming    | —                                                                                           | 7                  | —   | mA    |                                               |

**Note 1:** Data in “Typ” column is at 3.3V, 25°C unless otherwise stated.

# PIC24FJ64GB004 FAMILY

**TABLE 29-11: COMPARATOR SPECIFICATIONS**

| Operating Conditions: 2.0V < VDD < 3.6V, -40°C < TA < +85°C (unless otherwise stated) |        |                                         |     |     |     |       |          |
|---------------------------------------------------------------------------------------|--------|-----------------------------------------|-----|-----|-----|-------|----------|
| Param No.                                                                             | Symbol | Characteristic                          | Min | Typ | Max | Units | Comments |
| D300                                                                                  | VIOFF  | Input Offset Voltage*                   | —   | 20  | 40  | mV    |          |
| D301                                                                                  | VICM   | Input Common Mode Voltage*              | 0   | —   | VDD | V     |          |
| D302                                                                                  | CMRR   | Common Mode Rejection Ratio*            | 55  | —   | —   | dB    |          |
| 300                                                                                   | TRESP  | Response Time*(1)                       | —   | 150 | 400 | ns    |          |
| 301                                                                                   | TMC2OV | Comparator Mode Change to Output Valid* | —   | —   | 10  | μs    |          |

\* Parameters are characterized but not tested.

**Note 1:** Response time measured with one comparator input at (VDD – 1.5)/2, while the other input transitions from VSS to VDD.

**TABLE 29-12: COMPARATOR VOLTAGE REFERENCE SPECIFICATIONS**

| Operating Conditions: 2.0V < VDD < 3.6V, -40°C < TA < +85°C (unless otherwise stated) |        |                         |        |     |            |       |          |
|---------------------------------------------------------------------------------------|--------|-------------------------|--------|-----|------------|-------|----------|
| Param No.                                                                             | Symbol | Characteristic          | Min    | Typ | Max        | Units | Comments |
| VRD310                                                                                | CVRES  | Resolution              | VDD/24 | —   | VDD/32     | LSb   |          |
| VRD311                                                                                | CVRAA  | Absolute Accuracy       | —      | —   | AVDD – 1.5 | LSb   |          |
| VRD312                                                                                | CVRUR  | Unit Resistor Value (R) | —      | 2k  | —          | Ω     |          |
| VR310                                                                                 | TSET   | Settling Time(1)        | —      | —   | 10         | μs    |          |

**Note 1:** Settling time measured while CVRR = 1 and CVR<3:0> bits transition from '0000' to '1111'.

**TABLE 29-13: INTERNAL VOLTAGE REGULATOR SPECIFICATIONS**

| Operating Conditions: -40°C < TA < +85°C (unless otherwise stated) |        |                                  |      |     |      |       |                                                             |
|--------------------------------------------------------------------|--------|----------------------------------|------|-----|------|-------|-------------------------------------------------------------|
| Param No.                                                          | Symbol | Characteristics                  | Min  | Typ | Max  | Units | Comments                                                    |
|                                                                    | VBG    | Band Gap Reference Voltage       | 1.14 | 1.2 | 1.26 | V     |                                                             |
|                                                                    | TBG    | Band Gap Reference Start-up Time | —    | 1   | —    | ms    |                                                             |
|                                                                    | VRGOUT | Regulator Output Voltage         | 2.35 | 2.5 | 2.75 | V     |                                                             |
|                                                                    | CEFC   | External Filter Capacitor Value  | 4.7  | 10  | —    | μF    | Series resistance < 3 Ohm recommended;<br>< 5 Ohm required. |

# PIC24FJ64GB004 FAMILY

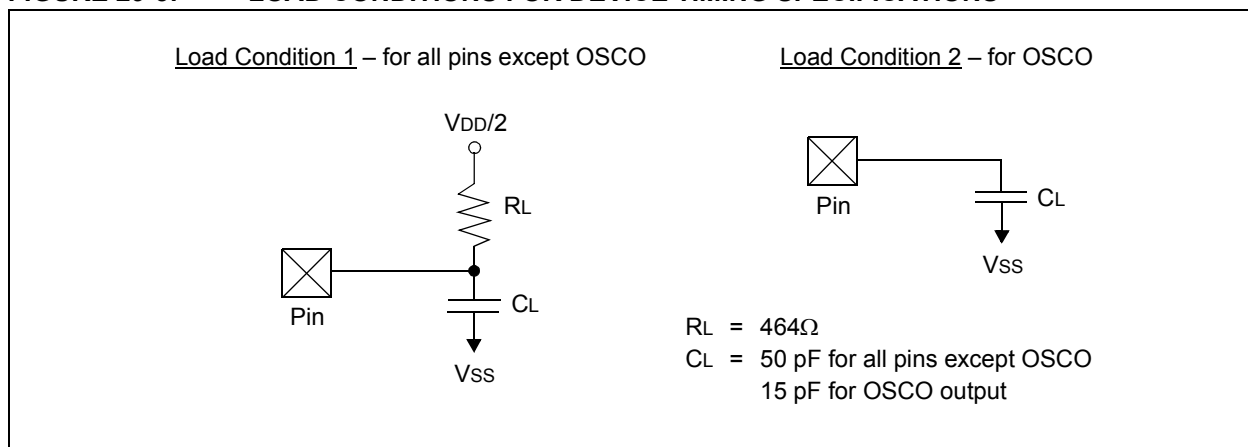
## 29.2 AC Characteristics and Timing Parameters

The information contained in this section defines the PIC24FJ64GB004 family AC characteristics and timing parameters.

**TABLE 29-14: TEMPERATURE AND VOLTAGE SPECIFICATIONS – AC**

|                           |                                                                                                                                                                        |
|---------------------------|------------------------------------------------------------------------------------------------------------------------------------------------------------------------|
| <b>AC CHARACTERISTICS</b> | <b>Standard Operating Conditions: 2.0V to 3.6V (unless otherwise stated)</b>                                                                                           |
|                           | Operating temperature $-40^{\circ}\text{C} \leq T_A \leq +85^{\circ}\text{C}$ for Industrial and $-40^{\circ}\text{C} \leq T_A \leq +125^{\circ}\text{C}$ for Extended |
|                           | Operating voltage $V_{DD}$ range as described in <b>Section 29.1 “DC Characteristics”</b> .                                                                            |

**FIGURE 29-3: LOAD CONDITIONS FOR DEVICE TIMING SPECIFICATIONS**



**TABLE 29-15: CAPACITIVE LOADING REQUIREMENTS ON OUTPUT PINS**

| Param No. | Symbol | Characteristic        | Min | Typ <sup>(1)</sup> | Max | Units | Conditions                                                    |
|-----------|--------|-----------------------|-----|--------------------|-----|-------|---------------------------------------------------------------|
| DO50      | Cosc2  | OSCO/CLKO Pin         | —   | —                  | 15  | pF    | In XT and HS modes when external clock is used to drive OSC1. |
| DO56      | Cio    | All I/O Pins and OSCO | —   | —                  | 50  | pF    | EC mode.                                                      |
| DO58      | Cb     | SCLx, SDAx            | —   | —                  | 400 | pF    | In I <sup>2</sup> C™ mode.                                    |

**Note 1:** Data in “Typ” column is at 3.3V, 25°C unless otherwise stated. Parameters are for design guidance only and are not tested.

# PIC24FJ64GB004 FAMILY

**FIGURE 29-4: EXTERNAL CLOCK TIMING**



**TABLE 29-16: EXTERNAL CLOCK TIMING REQUIREMENTS**

| AC CHARACTERISTICS |               |                                                                      | Standard Operating Conditions: 2.50 to 3.6V (unless otherwise stated)<br>Operating temperature -40°C ≤ TA ≤ +85°C for Industrial<br>-40°C ≤ TA ≤ +125°C for Extended |                    |                                |                                        |                                                                                                                                                                                     |
|--------------------|---------------|----------------------------------------------------------------------|----------------------------------------------------------------------------------------------------------------------------------------------------------------------|--------------------|--------------------------------|----------------------------------------|-------------------------------------------------------------------------------------------------------------------------------------------------------------------------------------|
| Param No.          | Sym           | Characteristic                                                       | Min                                                                                                                                                                  | Typ <sup>(1)</sup> | Max                            | Units                                  | Conditions                                                                                                                                                                          |
| OS10               | Fosc          | External CLKI Frequency<br>(External clocks allowed only in EC mode) | DC<br>4                                                                                                                                                              | —                  | 32<br>8                        | MHz<br>MHz                             | EC, -40°C ≤ TA ≤ +85°C<br>ECPLL, -40°C ≤ TA ≤ +85°C                                                                                                                                 |
|                    |               | Oscillator Frequency                                                 | DC<br>3<br>3<br>10<br>31<br>3<br>10                                                                                                                                  | —                  | 24<br>6<br>10<br>33<br>6<br>24 | MHz<br>MHz<br>MHz<br>kHz<br>MHz<br>MHz | EC, -40°C ≤ TA ≤ +125°C<br>ECPLL, -40°C ≤ TA ≤ +125°C<br>XT<br>XTPLL, -40°C ≤ TA ≤ +85°C<br>HS, -40°C ≤ TA ≤ +85°C<br>SOSC<br>XTPLL, -40°C ≤ TA ≤ +125°C<br>HS, -40°C ≤ TA ≤ +125°C |
| OS20               | Tosc          | Tosc = 1/Fosc                                                        | —                                                                                                                                                                    | —                  | —                              | —                                      | See parameter OS10 for Fosc value                                                                                                                                                   |
| OS25               | Tcy           | Instruction Cycle Time <sup>(2)</sup>                                | 62.5                                                                                                                                                                 | —                  | DC                             | ns                                     |                                                                                                                                                                                     |
| OS30               | TosL,<br>TosH | External Clock in (OSCI)<br>High or Low Time                         | 0.45 x Tosc                                                                                                                                                          | —                  | —                              | ns                                     | EC                                                                                                                                                                                  |
| OS31               | TosR,<br>TosF | External Clock in (OSCI)<br>Rise or Fall Time                        | —                                                                                                                                                                    | —                  | 20                             | ns                                     | EC                                                                                                                                                                                  |
| OS40               | TckR          | CLKO Rise Time <sup>(3)</sup>                                        | —                                                                                                                                                                    | 6                  | 10                             | ns                                     |                                                                                                                                                                                     |
| OS41               | TckF          | CLKO Fall Time <sup>(3)</sup>                                        | —                                                                                                                                                                    | 6                  | 10                             | ns                                     |                                                                                                                                                                                     |

**Note 1:** Data in "Typ" column is at 3.3V, 25°C unless otherwise stated. Parameters are for design guidance only and are not tested.

**2:** Instruction cycle period (Tcy) equals two times the input oscillator time base period. All specified values are based on characterization data for that particular oscillator type under standard operating conditions with the device executing code. Exceeding these specified limits may result in an unstable oscillator operation and/or higher than expected current consumption. All devices are tested to operate at "Min." values with an external clock applied to the OSCI/CLKI pin. When an external clock input is used, the "Max." cycle time limit is "DC" (no clock) for all devices.

**3:** Measurements are taken in EC mode. The CLKO signal is measured on the OSCO pin. CLKO is low for the Q1-Q2 period (1/2 Tcy) and high for the Q3-Q4 period (1/2 Tcy).



# PIC24FJ64GB004 FAMILY

**TABLE 29-17: PLL CLOCK TIMING SPECIFICATIONS (V<sub>DD</sub> = 2.0V TO 3.6V)**

| AC CHARACTERISTICS |       |                                          | Standard Operating Conditions: 2.0V to 3.6V (unless otherwise stated)                                               |                    |       |       |                           |
|--------------------|-------|------------------------------------------|---------------------------------------------------------------------------------------------------------------------|--------------------|-------|-------|---------------------------|
|                    |       |                                          | Operating temperature -40°C ≤ T <sub>A</sub> ≤ +85°C for Industrial<br>-40°C ≤ T <sub>A</sub> ≤ +125°C for Extended |                    |       |       |                           |
| Param No.          | Sym   | Characteristic <sup>(1)</sup>            | Min                                                                                                                 | Typ <sup>(2)</sup> | Max   | Units | Conditions                |
| OS50               | FPLLI | PLL Input Frequency Range <sup>(2)</sup> | 4                                                                                                                   | —                  | 32    | MHz   | ECPLL, HSPLL, XTPLL modes |
| OS51               | FSYS  | PLL Output Frequency Range               | 95.76                                                                                                               | —                  | 96.24 | MHz   |                           |
| OS52               | TLOCK | PLL Start-up Time (Lock Time)            | —                                                                                                                   | 180                | —     | μs    |                           |
| OS53               | DCLK  | CLKO Stability (Jitter)                  | -0.25                                                                                                               | —                  | 0.25  | %     |                           |

**Note 1:** These parameters are characterized but not tested in manufacturing.

**2:** Data in “Typ” column is at 3.3V, 25°C unless otherwise stated. Parameters are for design guidance only and are not tested.

**TABLE 29-18: INTERNAL RC OSCILLATOR SPECIFICATIONS**

| AC CHARACTERISTICS |       |                               | Standard Operating Conditions: 2.0V to 3.6V (unless otherwise stated)                                               |     |     |       |            |
|--------------------|-------|-------------------------------|---------------------------------------------------------------------------------------------------------------------|-----|-----|-------|------------|
|                    |       |                               | Operating temperature -40°C ≤ T <sub>A</sub> ≤ +85°C for Industrial<br>-40°C ≤ T <sub>A</sub> ≤ +125°C for Extended |     |     |       |            |
| Param No.          | Sym   | Characteristic <sup>(1)</sup> | Min                                                                                                                 | Typ | Max | Units | Conditions |
|                    | TFRC  | FRC Start-up Time             | —                                                                                                                   | 15  | —   | μs    |            |
|                    | TLPRC | LPRC Start-up Time            | —                                                                                                                   | 500 | —   | μs    |            |

**TABLE 29-19: INTERNAL RC OSCILLATOR ACCURACY**

| AC CHARACTERISTICS |                                       | Standard Operating Conditions: 2.0V to 3.6V (unless otherwise stated)                                               |       |     |       |                                                               |  |
|--------------------|---------------------------------------|---------------------------------------------------------------------------------------------------------------------|-------|-----|-------|---------------------------------------------------------------|--|
|                    |                                       | Operating temperature -40°C ≤ T <sub>A</sub> ≤ +85°C for Industrial<br>-40°C ≤ T <sub>A</sub> ≤ +125°C for Extended |       |     |       |                                                               |  |
| Param No.          | Characteristic                        | Min                                                                                                                 | Typ   | Max | Units | Conditions                                                    |  |
| F20                | FRC Accuracy @ 8 MHz <sup>(1,3)</sup> | -1.25                                                                                                               | ±0.25 | 1.0 | %     | -40°C ≤ T <sub>A</sub> ≤ +85°C, 3.0V ≤ V <sub>DD</sub> ≤ 3.6V |  |
| F21                | LPRC Accuracy @ 31 kHz <sup>(2)</sup> | -15                                                                                                                 | —     | 15  | %     | -40°C ≤ T <sub>A</sub> ≤ +85°C, 3.0V ≤ V <sub>DD</sub> ≤ 3.6V |  |

**Note 1:** Frequency calibrated at 25°C and 3.3V. OSCTUN bits can be used to compensate for temperature drift.

**2:** Change of LPRC frequency as V<sub>DD</sub> changes.

**3:** To achieve this accuracy, physical stress applied to the microcontroller package (ex: by flexing the PCB) must be kept to a minimum.

# PIC24FJ64GB004 FAMILY

**FIGURE 29-5: CLKO AND I/O TIMING CHARACTERISTICS**



**TABLE 29-20: CLKO AND I/O TIMING REQUIREMENTS**

| AC CHARACTERISTICS |      |                                    | Standard Operating Conditions: 2.0V to 3.6V (unless otherwise stated)                                                                                                 |                    |     |       |            |
|--------------------|------|------------------------------------|-----------------------------------------------------------------------------------------------------------------------------------------------------------------------|--------------------|-----|-------|------------|
|                    |      |                                    | Operating temperature $-40^{\circ}\text{C} \leq T_A \leq +85^{\circ}\text{C}$ for Industrial<br>$-40^{\circ}\text{C} \leq T_A \leq +125^{\circ}\text{C}$ for Extended |                    |     |       |            |
| Param No.          | Sym  | Characteristic                     | Min                                                                                                                                                                   | Typ <sup>(1)</sup> | Max | Units | Conditions |
| DO31               | TioR | Port Output Rise Time              | —                                                                                                                                                                     | 10                 | 25  | ns    |            |
| DO32               | TioF | Port Output Fall Time              | —                                                                                                                                                                     | 10                 | 25  | ns    |            |
| DI35               | TINP | INTx pin High or Low Time (output) | 20                                                                                                                                                                    | —                  | —   | ns    |            |
| DI40               | TRBP | CNx High or Low Time (input)       | 2                                                                                                                                                                     | —                  | —   | Tcy   |            |

**Note 1:** Data in “Typ” column is at 3.3V, 25°C unless otherwise stated.

**TABLE 29-21: RESET, POWER-UP TIMER AND BROWN-OUT RESET TIMING REQUIREMENTS**

| AC CHARACTERISTICS |        |                                                          | Standard Operating Conditions: 2.0V to 3.6V (unless otherwise stated)                                                                                                 |                    |      |       |                                                                             |
|--------------------|--------|----------------------------------------------------------|-----------------------------------------------------------------------------------------------------------------------------------------------------------------------|--------------------|------|-------|-----------------------------------------------------------------------------|
|                    |        |                                                          | Operating temperature $-40^{\circ}\text{C} \leq T_A \leq +85^{\circ}\text{C}$ for Industrial<br>$-40^{\circ}\text{C} \leq T_A \leq +125^{\circ}\text{C}$ for Extended |                    |      |       |                                                                             |
| Param No.          | Symbol | Characteristic                                           | Min.                                                                                                                                                                  | Typ <sup>(1)</sup> | Max. | Units | Conditions                                                                  |
| SY10               | TmCL   | MCLR Pulse Width (low)                                   | 2                                                                                                                                                                     | —                  | —    | μs    |                                                                             |
| SY11               | TPWRT  | Power-up Timer Period                                    | —                                                                                                                                                                     | 64                 | —    | ms    |                                                                             |
| SY12               | TPOR   | Power-on Reset Delay                                     | —                                                                                                                                                                     | 2                  | —    | μs    |                                                                             |
| SY13               | TioZ   | I/O High-Impedance from MCLR Low or Watchdog Timer Reset | —                                                                                                                                                                     | —                  | 100  | ns    |                                                                             |
| SY25               | TBOR   | Brown-out Reset Pulse Width                              | 1                                                                                                                                                                     | —                  | —    | μs    | $V_{DD} \leq V_{BOR}$                                                       |
|                    | TRST   | Internal State Reset Time                                | —                                                                                                                                                                     | 50                 | —    | μs    |                                                                             |
|                    | TDSWU  | Wake-up from Deep Sleep Time                             | —                                                                                                                                                                     | 200                | —    | μs    | Based on full discharge of 10 μF capacitor on VCAP. Includes TPOR and TRST. |

**Note 1:** Data in “Typ” column is at 3.3V, 25°C unless otherwise stated.

# PIC24FJ64GB004 FAMILY

**TABLE 29-21: RESET, POWER-UP TIMER AND BROWN-OUT RESET TIMING REQUIREMENTS**

| AC CHARACTERISTICS |        |                | Standard Operating Conditions: 2.0V to 3.6V<br>(unless otherwise stated)<br>Operating temperature -40°C ≤ TA ≤ +85°C for Industrial<br>-40°C ≤ TA ≤ +125°C for Extended |                    |        |          |                                                   |
|--------------------|--------|----------------|-------------------------------------------------------------------------------------------------------------------------------------------------------------------------|--------------------|--------|----------|---------------------------------------------------|
| Param No.          | Symbol | Characteristic | Min.                                                                                                                                                                    | Typ <sup>(1)</sup> | Max.   | Units    | Conditions                                        |
|                    | TPM    |                | —<br>—                                                                                                                                                                  | 10<br>190          | —<br>— | μs<br>μs | Sleep wake-up with PMSLP = 0 and WUTSEL<1:0> = 11 |

**Note 1:** Data in “Typ” column is at 3.3V, 25°C unless otherwise stated.

# PIC24FJ64GB004 FAMILY

**TABLE 29-22: ADC MODULE SPECIFICATIONS**

| AC CHARACTERISTICS      |                  |                                                | Standard Operating Conditions: 2.0V to 3.6V<br>(unless otherwise stated)<br>Operating temperature -40°C ≤ TA ≤ +85°C for Industrial<br>-40°C ≤ TA ≤ +125°C for Extended |        |                            |       |                                                                        |
|-------------------------|------------------|------------------------------------------------|-------------------------------------------------------------------------------------------------------------------------------------------------------------------------|--------|----------------------------|-------|------------------------------------------------------------------------|
| Param No.               | Symbol           | Characteristic                                 | Min.                                                                                                                                                                    | Typ    | Max.                       | Units | Conditions                                                             |
| <b>Device Supply</b>    |                  |                                                |                                                                                                                                                                         |        |                            |       |                                                                        |
| AD01                    | AVDD             | Module VDD Supply                              | Greater of VDD – 0.3 or 2.0                                                                                                                                             | —      | Lesser of VDD + 0.3 or 3.6 | V     |                                                                        |
| AD02                    | AVSS             | Module VSS Supply                              | VSS – 0.3                                                                                                                                                               | —      | VSS + 0.3                  | V     |                                                                        |
| <b>Reference Inputs</b> |                  |                                                |                                                                                                                                                                         |        |                            |       |                                                                        |
| AD05                    | VREFH            | Reference Voltage High                         | AVSS + 1.7                                                                                                                                                              | —      | AVDD                       | V     |                                                                        |
| AD06                    | VREFL            | Reference Voltage Low                          | AVSS                                                                                                                                                                    | —      | AVDD – 1.7                 | V     |                                                                        |
| AD07                    | VREF             | Absolute Reference Voltage                     | AVSS – 0.3                                                                                                                                                              | —      | AVDD + 0.3                 | V     |                                                                        |
| AD08                    | IVREF            | Reference voltage input current                | —                                                                                                                                                                       | —      | 1.25                       | mA    | (Note 3)                                                               |
| AD09                    | ZVREF            | Reference input impedance                      | —                                                                                                                                                                       | 10k    | —                          | Ω     | (Note 4)                                                               |
| <b>Analog Input</b>     |                  |                                                |                                                                                                                                                                         |        |                            |       |                                                                        |
| AD10                    | VINH-VINL        | Full-Scale Input Span                          | VREFL                                                                                                                                                                   | —      | VREFH                      | V     | (Note 2)                                                               |
| AD11                    | VIN              | Absolute Input Voltage                         | AVSS – 0.3                                                                                                                                                              | —      | AVDD + 0.3                 | V     |                                                                        |
| AD12                    | VINL             | Absolute VINL Input Voltage                    | AVSS – 0.3                                                                                                                                                              | —      | AVDD/2                     | V     |                                                                        |
| AD13                    | —                | Leakage Current                                | —                                                                                                                                                                       | ±0.001 | ±0.610                     | μA    | VINL = AVSS = VREFL = 0V, AVDD = VREFH = 3V, Source Impedance = 2.5 kΩ |
| AD17                    | RIN              | Recommended Impedance of Analog Voltage Source | —                                                                                                                                                                       | —      | 2.5K                       | Ω     | 10-bit                                                                 |
| <b>ADC Accuracy</b>     |                  |                                                |                                                                                                                                                                         |        |                            |       |                                                                        |
| AD20b                   | NR               | Resolution                                     | —                                                                                                                                                                       | 10     | —                          | bits  |                                                                        |
| AD21b                   | INL              | Integral Nonlinearity                          | —                                                                                                                                                                       | ±1     | <±2                        | LSb   | VINL = AVSS = VREFL = 0V, AVDD = VREFH = 3V                            |
| AD22b                   | DNL              | Differential Nonlinearity                      | —                                                                                                                                                                       | ±0.5   | <±1.25                     | LSb   | VINL = AVSS = VREFL = 0V, AVDD = VREFH = 3V                            |
| AD23b                   | GERR             | Gain Error                                     | —                                                                                                                                                                       | ±1     | ±3                         | LSb   | VINL = AVSS = VREFL = 0V, AVDD = VREFH = 3V                            |
| AD24b                   | E <sub>OFF</sub> | Offset Error                                   | —                                                                                                                                                                       | ±1     | ±2                         | LSb   | VINL = AVSS = VREFL = 0V, AVDD = VREFH = 3V                            |
| AD25b                   | —                | Monotonicity <sup>(1)</sup>                    | —                                                                                                                                                                       | —      | —                          | —     | Guaranteed                                                             |

- Note 1:** The ADC conversion result never decreases with an increase in the input voltage and has no missing codes.
- Note 2:** Measurements taken with external VREF+ and VREF- are used as the ADC voltage reference.
- Note 3:** External reference voltage applied to VREF+/- pins. IVREF is current during conversion at 3.3v, 25C. Parameter is for design guidance only and is not tested.
- Note 4:** Impedance during sampling at 3.3, 25C. Parameter is for design guidance only and is not tested.

# PIC24FJ64GB004 FAMILY

**TABLE 29-23: ADC CONVERSION TIMING REQUIREMENTS<sup>(1)</sup>**

| AC CHARACTERISTICS      |                   |                                                   | Standard Operating Conditions: 2.0V to 3.6V<br>(unless otherwise stated)<br>Operating temperature -40°C ≤ TA ≤ +85°C for Industrial<br>-40°C ≤ TA ≤ +125°C for Extended |     |      |       |                                                   |
|-------------------------|-------------------|---------------------------------------------------|-------------------------------------------------------------------------------------------------------------------------------------------------------------------------|-----|------|-------|---------------------------------------------------|
| Param No.               | Symbol            | Characteristic                                    | Min.                                                                                                                                                                    | Typ | Max. | Units | Conditions                                        |
| <b>Clock Parameters</b> |                   |                                                   |                                                                                                                                                                         |     |      |       |                                                   |
| AD50                    | TAD               | ADC Clock Period                                  | 75                                                                                                                                                                      | —   | —    | ns    | T <sub>cy</sub> = 75 ns, AD1CON3 in default state |
| AD51                    | t <sub>RC</sub>   | ADC Internal RC Oscillator Period                 | —                                                                                                                                                                       | 250 | —    | ns    |                                                   |
| <b>Conversion Rate</b>  |                   |                                                   |                                                                                                                                                                         |     |      |       |                                                   |
| AD55                    | t <sub>CONV</sub> | Conversion Time                                   | —                                                                                                                                                                       | 12  | —    | TAD   |                                                   |
| AD56                    | FCNV              | Throughput Rate                                   | —                                                                                                                                                                       | —   | 500  | ksps  | AV <sub>DD</sub> > 2.7V                           |
| AD57                    | t <sub>SAMP</sub> | Sample Time                                       | —                                                                                                                                                                       | 1   | —    | TAD   |                                                   |
| <b>Clock Parameters</b> |                   |                                                   |                                                                                                                                                                         |     |      |       |                                                   |
| AD61                    | t <sub>PSS</sub>  | Sample Start Delay from setting Sample bit (SAMP) | 2                                                                                                                                                                       | —   | 3    | TAD   |                                                   |

**Note 1:** Because the sample capacitors will eventually lose charge, clock rates below 10 kHz can affect linearity performance, especially at elevated temperatures.

# PIC24FJ64GB004 FAMILY

---

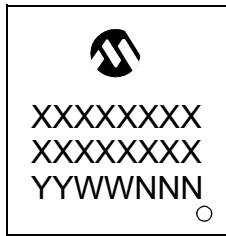
NOTES:

# PIC24FJ64GB004 FAMILY

## 30.0 PACKAGING INFORMATION

### 30.1 Package Marking Information

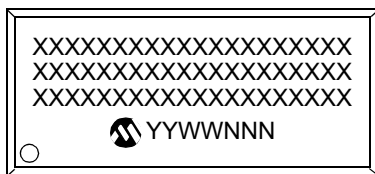
28-Lead QFN



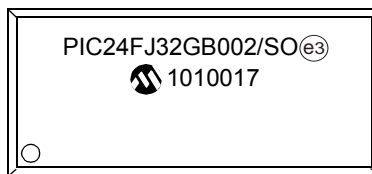
Example



28-Lead SOIC (.300")



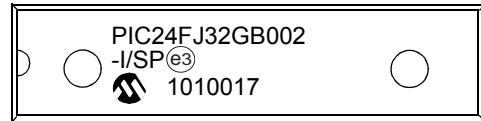
Example



28-Lead SPDIP



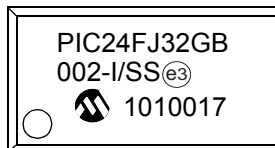
Example



28-Lead SSOP



Example



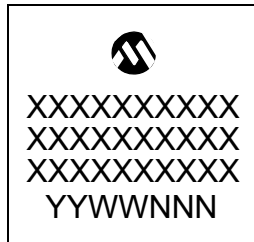
**Legend:** XX...X Customer-specific information  
 Y Year code (last digit of calendar year)  
 YY Year code (last 2 digits of calendar year)  
 WW Week code (week of January 1 is week '01')  
 NNN Alphanumeric traceability code  
 Pb-free JEDEC designator for Matte Tin (Sn)  
 \* This package is Pb-free. The Pb-free JEDEC designator (e3) can be found on the outer packaging for this package.

**Note:** In the event the full Microchip part number cannot be marked on one line, it will be carried over to the next line, thus limiting the number of available characters for customer-specific information.

# PIC24FJ64GB004 FAMILY

---

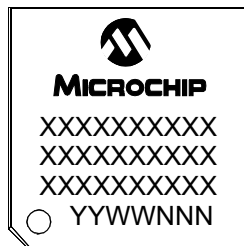
44-Lead QFN



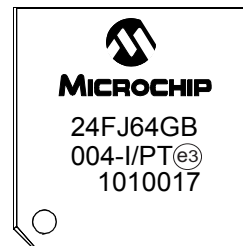
Example



44-Lead TQFP



Example





# PIC24FJ64GB004 FAMILY

## 30.2 Package Details

The following sections give the technical details of the packages.

### 28-Lead Plastic Quad Flat, No Lead Package (ML) – 6x6 mm Body [QFN] with 0.55 mm Contact Length

**Note:** For the most current package drawings, please see the Microchip Packaging Specification located at <http://www.microchip.com/packaging>



| Dimension Limits       | Units | MILLIMETERS |      |      |
|------------------------|-------|-------------|------|------|
|                        |       | MIN         | NOM  | MAX  |
| Number of Pins         | N     | 28          |      |      |
| Pitch                  | e     | 0.65 BSC    |      |      |
| Overall Height         | A     | 0.80        | 0.90 | 1.00 |
| Standoff               | A1    | 0.00        | 0.02 | 0.05 |
| Contact Thickness      | A3    | 0.20 REF    |      |      |
| Overall Width          | E     | 6.00 BSC    |      |      |
| Exposed Pad Width      | E2    | 3.65        | 3.70 | 4.20 |
| Overall Length         | D     | 6.00 BSC    |      |      |
| Exposed Pad Length     | D2    | 3.65        | 3.70 | 4.20 |
| Contact Width          | b     | 0.23        | 0.30 | 0.35 |
| Contact Length         | L     | 0.50        | 0.55 | 0.70 |
| Contact-to-Exposed Pad | K     | 0.20        | –    | –    |

**Notes:**

1. Pin 1 visual index feature may vary, but must be located within the hatched area.
2. Package is saw singulated.
3. Dimensioning and tolerancing per ASME Y14.5M.

BSC: Basic Dimension. Theoretically exact value shown without tolerances.

REF: Reference Dimension, usually without tolerance, for information purposes only.

Microchip Technology Drawing C04-105B

# PIC24FJ64GB004 FAMILY

## 28-Lead Plastic Quad Flat, No Lead Package (ML) – 6x6 mm Body [QFN] with 0.55 mm Contact Length

**Note:** For the most current package drawings, please see the Microchip Packaging Specification located at <http://www.microchip.com/packaging>



RECOMMENDED LAND PATTERN

| Dimension Limits           | Units | MILLIMETERS |      |      |
|----------------------------|-------|-------------|------|------|
|                            |       | MIN         | NOM  | MAX  |
| Contact Pitch              | E     | 0.65 BSC    |      |      |
| Optional Center Pad Width  | W2    |             |      | 4.25 |
| Optional Center Pad Length | T2    |             |      | 4.25 |
| Contact Pad Spacing        | C1    |             | 5.70 |      |
| Contact Pad Spacing        | C2    |             | 5.70 |      |
| Contact Pad Width (X28)    | X1    |             |      | 0.37 |
| Contact Pad Length (X28)   | Y1    |             |      | 1.00 |
| Distance Between Pads      | G     | 0.20        |      |      |

**Notes:**

1. Dimensioning and tolerancing per ASME Y14.5M

BSC: Basic Dimension. Theoretically exact value shown without tolerances.

Microchip Technology Drawing No. C04-2105A

# PIC24FJ64GB004 FAMILY

## 24-Lead Plastic Small Outline (SO) – Wide, 7.50 mm Body [SOIC]

**Note:** For the most current package drawings, please see the Microchip Packaging Specification located at <http://www.microchip.com/packaging>



| Dimension Limits         | Units    | MILLIMETERS |     |      |
|--------------------------|----------|-------------|-----|------|
|                          |          | MIN         | NOM | MAX  |
| Number of Pins           | N        | 24          |     |      |
| Pitch                    | e        | 1.27 BSC    |     |      |
| Overall Height           | A        | –           | –   | 2.65 |
| Molded Package Thickness | A2       | 2.05        | –   | –    |
| Standoff §               | A1       | 0.10        | –   | 0.30 |
| Overall Width            | E        | 10.30 BSC   |     |      |
| Molded Package Width     | E1       | 7.50 BSC    |     |      |
| Overall Length           | D        | 15.40 BSC   |     |      |
| Chamfer (optional)       | h        | 0.25        | –   | 0.75 |
| Foot Length              | L        | 0.40        | –   | 1.27 |
| Footprint                | L1       | 1.40 REF    |     |      |
| Foot Angle               | $\phi$   | 0°          | –   | 8°   |
| Lead Thickness           | c        | 0.20        | –   | 0.33 |
| Lead Width               | b        | 0.31        | –   | 0.51 |
| Mold Draft Angle Top     | $\alpha$ | 5°          | –   | 15°  |
| Mold Draft Angle Bottom  | $\beta$  | 5°          | –   | 15°  |

**Notes:**

- Pin 1 visual index feature may vary, but must be located within the hatched area.
- § Significant Characteristic.
- Dimensions D and E1 do not include mold flash or protrusions. Mold flash or protrusions shall not exceed 0.15 mm per side.
- Dimensioning and tolerancing per ASME Y14.5M.

BSC: Basic Dimension. Theoretically exact value shown without tolerances.

REF: Reference Dimension, usually without tolerance, for information purposes only.

Microchip Technology Drawing C04-025B

# PIC24FJ64GB004 FAMILY

28-Lead Plastic Small Outline (SO) - Wide, 7.50 mm Body [SOIC]

**Note:** For the most current package drawings, please see the Microchip Packaging Specification located at <http://www.microchip.com/packaging>



## RECOMMENDED LAND PATTERN

| Dimension Limits         | Units | MILLIMETERS |      |      |
|--------------------------|-------|-------------|------|------|
|                          |       | MIN         | NOM  | MAX  |
| Contact Pitch            | E     | 1.27 BSC    |      |      |
| Contact Pad Spacing      | C     |             | 9.40 |      |
| Contact Pad Width (X28)  | X     |             |      | 0.60 |
| Contact Pad Length (X28) | Y     |             |      | 2.00 |
| Distance Between Pads    | Gx    | 0.67        |      |      |
| Distance Between Pads    | G     | 7.40        |      |      |

**Notes:**

1. Dimensioning and tolerancing per ASME Y14.5M

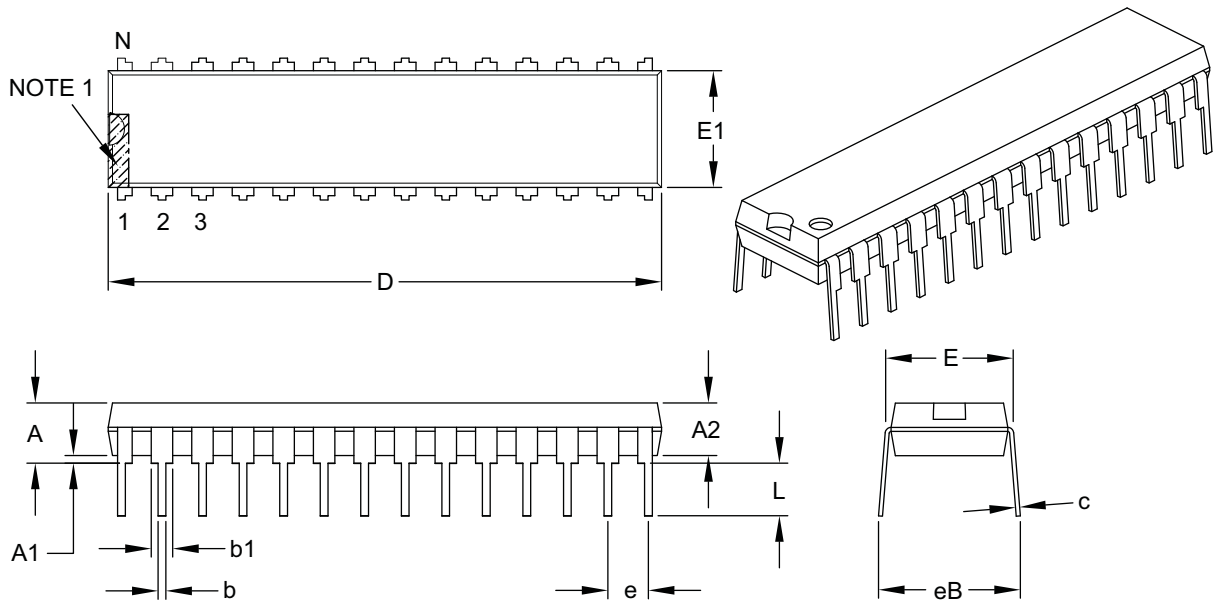
BSC: Basic Dimension. Theoretically exact value shown without tolerances.

Microchip Technology Drawing No. C04-2052A

# PIC24FJ64GB004 FAMILY

## 28-Lead Skinny Plastic Dual In-Line (SP) – 300 mil Body [SPDIP]

**Note:** For the most current package drawings, please see the Microchip Packaging Specification located at <http://www.microchip.com/packaging>



| Dimension Limits           | Units | INCHES   |       |       |
|----------------------------|-------|----------|-------|-------|
|                            |       | MIN      | NOM   | MAX   |
| Number of Pins             | N     | 28       |       |       |
| Pitch                      | e     | .100 BSC |       |       |
| Top to Seating Plane       | A     | –        | –     | .200  |
| Molded Package Thickness   | A2    | .120     | .135  | .150  |
| Base to Seating Plane      | A1    | .015     | –     | –     |
| Shoulder to Shoulder Width | E     | .290     | .310  | .335  |
| Molded Package Width       | E1    | .240     | .285  | .295  |
| Overall Length             | D     | 1.345    | 1.365 | 1.400 |
| Tip to Seating Plane       | L     | .110     | .130  | .150  |
| Lead Thickness             | c     | .008     | .010  | .015  |
| Upper Lead Width           | b1    | .040     | .050  | .070  |
| Lower Lead Width           | b     | .014     | .018  | .022  |
| Overall Row Spacing §      | eB    | –        | –     | .430  |

**Notes:**

- Pin 1 visual index feature may vary, but must be located within the hatched area.
- § Significant Characteristic.
- Dimensions D and E1 do not include mold flash or protrusions. Mold flash or protrusions shall not exceed .010" per side.
- Dimensioning and tolerancing per ASME Y14.5M.

BSC: Basic Dimension. Theoretically exact value shown without tolerances.

Microchip Technology Drawing C04-070B

# PIC24FJ64GB004 FAMILY

## 44-Lead Plastic Quad Flat, No Lead Package (ML) – 8x8 mm Body [QFN]

**Note:** For the most current package drawings, please see the Microchip Packaging Specification located at <http://www.microchip.com/packaging>



| Dimension Limits       | Units | MILLIMETERS |      |      |
|------------------------|-------|-------------|------|------|
|                        |       | MIN         | NOM  | MAX  |
| Number of Pins         | N     | 44          |      |      |
| Pitch                  | e     | 0.65 BSC    |      |      |
| Overall Height         | A     | 0.80        | 0.90 | 1.00 |
| Standoff               | A1    | 0.00        | 0.02 | 0.05 |
| Contact Thickness      | A3    | 0.20 REF    |      |      |
| Overall Width          | E     | 8.00 BSC    |      |      |
| Exposed Pad Width      | E2    | 6.30        | 6.45 | 6.80 |
| Overall Length         | D     | 8.00 BSC    |      |      |
| Exposed Pad Length     | D2    | 6.30        | 6.45 | 6.80 |
| Contact Width          | b     | 0.25        | 0.30 | 0.38 |
| Contact Length         | L     | 0.30        | 0.40 | 0.50 |
| Contact-to-Exposed Pad | K     | 0.20        | -    | -    |

**Notes:**

- Pin 1 visual index feature may vary, but must be located within the hatched area.
- Package is saw singulated.
- Dimensioning and tolerancing per ASME Y14.5M.

BSC: Basic Dimension. Theoretically exact value shown without tolerances.

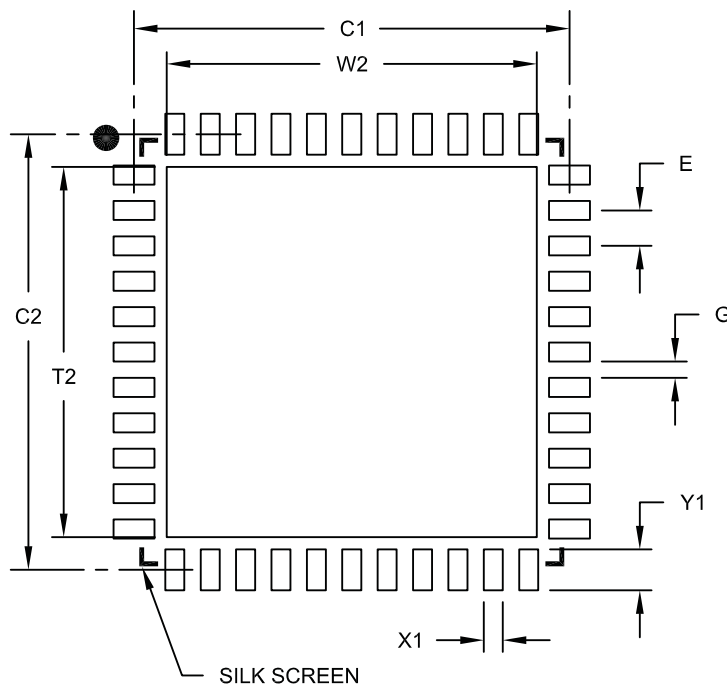
REF: Reference Dimension, usually without tolerance, for information purposes only.

Microchip Technology Drawing C04-103B

# PIC24FJ64GB004 FAMILY

## 44-Lead Plastic Quad Flat, No Lead Package (ML) – 8x8 mm Body [QFN]

**Note:** For the most current package drawings, please see the Microchip Packaging Specification located at <http://www.microchip.com/packaging>



RECOMMENDED LAND PATTERN

| Dimension Limits           | Units | MILLIMETERS |      |      |
|----------------------------|-------|-------------|------|------|
|                            |       | MIN         | NOM  | MAX  |
| Contact Pitch              | E     | 0.65 BSC    |      |      |
| Optional Center Pad Width  | W2    |             |      | 6.80 |
| Optional Center Pad Length | T2    |             |      | 6.80 |
| Contact Pad Spacing        | C1    |             | 8.00 |      |
| Contact Pad Spacing        | C2    |             | 8.00 |      |
| Contact Pad Width (X44)    | X1    |             |      | 0.35 |
| Contact Pad Length (X44)   | Y1    |             |      | 0.80 |
| Distance Between Pads      | G     | 0.25        |      |      |

**Notes:**

1. Dimensioning and tolerancing per ASME Y14.5M

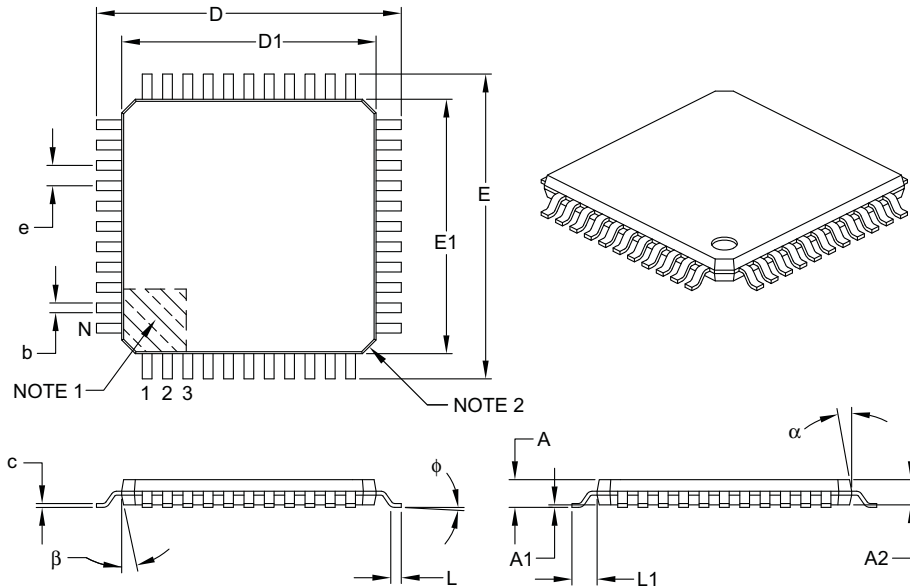
BSC: Basic Dimension. Theoretically exact value shown without tolerances.

Microchip Technology Drawing No. C04-2103A

# PIC24FJ64GB004 FAMILY

## 44-Lead Plastic Thin Quad Flatpack (PT) – 10x10x1 mm Body, 2.00 mm [TQFP]

**Note:** For the most current package drawings, please see the Microchip Packaging Specification located at <http://www.microchip.com/packaging>



| Dimension Limits         | Units    | MILLIMETERS |      |      |
|--------------------------|----------|-------------|------|------|
|                          |          | MIN         | NOM  | MAX  |
| Number of Leads          | N        | 44          |      |      |
| Lead Pitch               | e        | 0.80 BSC    |      |      |
| Overall Height           | A        | –           | –    | 1.20 |
| Molded Package Thickness | A2       | 0.95        | 1.00 | 1.05 |
| Standoff                 | A1       | 0.05        | –    | 0.15 |
| Foot Length              | L        | 0.45        | 0.60 | 0.75 |
| Footprint                | L1       | 1.00 REF    |      |      |
| Foot Angle               | $\phi$   | 0°          | 3.5° | 7°   |
| Overall Width            | E        | 12.00 BSC   |      |      |
| Overall Length           | D        | 12.00 BSC   |      |      |
| Molded Package Width     | E1       | 10.00 BSC   |      |      |
| Molded Package Length    | D1       | 10.00 BSC   |      |      |
| Lead Thickness           | c        | 0.09        | –    | 0.20 |
| Lead Width               | b        | 0.30        | 0.37 | 0.45 |
| Mold Draft Angle Top     | $\alpha$ | 11°         | 12°  | 13°  |
| Mold Draft Angle Bottom  | $\beta$  | 11°         | 12°  | 13°  |

**Notes:**

- Pin 1 visual index feature may vary, but must be located within the hatched area.
- Chamfers at corners are optional; size may vary.
- Dimensions D1 and E1 do not include mold flash or protrusions. Mold flash or protrusions shall not exceed 0.25 mm per side.
- Dimensioning and tolerancing per ASME Y14.5M.

BSC: Basic Dimension. Theoretically exact value shown without tolerances.

REF: Reference Dimension, usually without tolerance, for information purposes only.

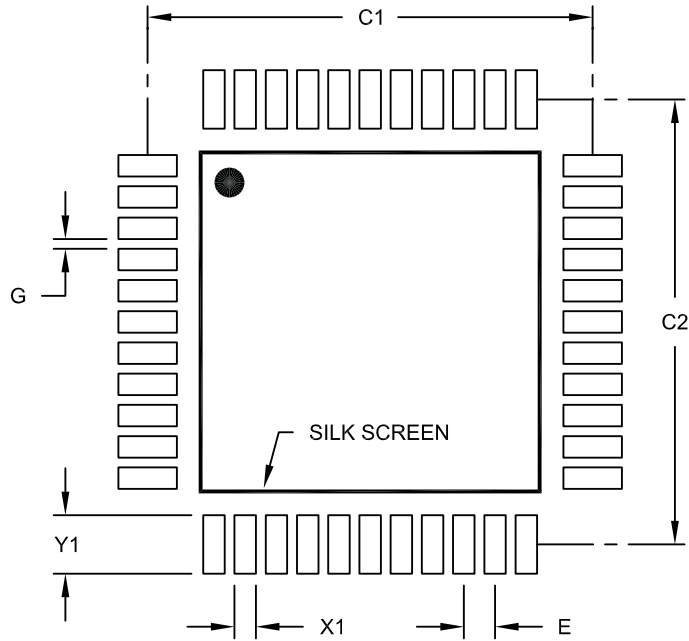
Microchip Technology Drawing C04-076B



# PIC24FJ64GB004 FAMILY

## 44-Lead Plastic Thin Quad Flatpack (PT) – 10x10x1 mm Body, 2.00 mm [TQFP]

**Note:** For the most current package drawings, please see the Microchip Packaging Specification located at <http://www.microchip.com/packaging>



RECOMMENDED LAND PATTERN

| Dimension Limits         | Units | MILLIMETERS |       |      |
|--------------------------|-------|-------------|-------|------|
|                          |       | MIN         | NOM   | MAX  |
| Contact Pitch            | E     | 0.80 BSC    |       |      |
| Contact Pad Spacing      | C1    |             | 11.40 |      |
| Contact Pad Spacing      | C2    |             | 11.40 |      |
| Contact Pad Width (X44)  | X1    |             |       | 0.55 |
| Contact Pad Length (X44) | Y1    |             |       | 1.50 |
| Distance Between Pads    | G     | 0.25        |       |      |

**Notes:**

1. Dimensioning and tolerancing per ASME Y14.5M

BSC: Basic Dimension. Theoretically exact value shown without tolerances.

Microchip Technology Drawing No. C04-2076A

# PIC24FJ64GB004 FAMILY

## 28-Lead Plastic Shrink Small Outline (SS) – 5.30 mm Body [SSOP]

**Note:** For the most current package drawings, please see the Microchip Packaging Specification located at <http://www.microchip.com/packaging>



|                          |        | Units | MILLIMETERS |       |       |
|--------------------------|--------|-------|-------------|-------|-------|
| Dimension Limits         |        |       | MIN         | NOM   | MAX   |
| Number of Pins           | N      |       | 28          |       |       |
| Pitch                    | e      |       | 0.65 BSC    |       |       |
| Overall Height           | A      |       | –           | –     | 2.00  |
| Molded Package Thickness | A2     |       | 1.65        | 1.75  | 1.85  |
| Standoff                 | A1     |       | 0.05        | –     | –     |
| Overall Width            | E      |       | 7.40        | 7.80  | 8.20  |
| Molded Package Width     | E1     |       | 5.00        | 5.30  | 5.60  |
| Overall Length           | D      |       | 9.90        | 10.20 | 10.50 |
| Foot Length              | L      |       | 0.55        | 0.75  | 0.95  |
| Footprint                | L1     |       | 1.25 REF    |       |       |
| Lead Thickness           | c      |       | 0.09        | –     | 0.25  |
| Foot Angle               | $\phi$ |       | 0°          | 4°    | 8°    |
| Lead Width               | b      |       | 0.22        | –     | 0.38  |

**Notes:**

- Pin 1 visual index feature may vary, but must be located within the hatched area.
- Dimensions D and E1 do not include mold flash or protrusions. Mold flash or protrusions shall not exceed 0.20 mm per side.
- Dimensioning and tolerancing per ASME Y14.5M.

BSC: Basic Dimension. Theoretically exact value shown without tolerances.

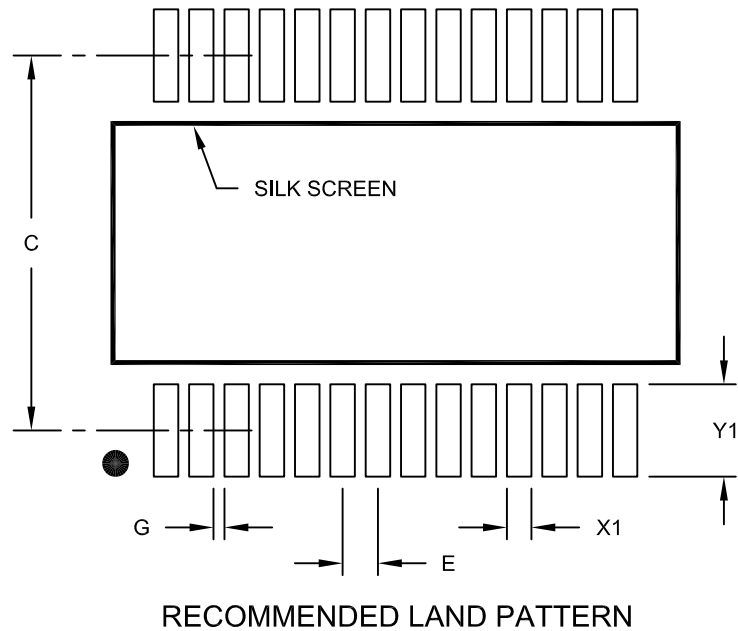
REF: Reference Dimension, usually without tolerance, for information purposes only.

Microchip Technology Drawing C04-073B

# PIC24FJ64GB004 FAMILY

28-Lead Plastic Shrink Small Outline (SS) - 5.30 mm Body [SSOP]

**Note:** For the most current package drawings, please see the Microchip Packaging Specification located at <http://www.microchip.com/packaging>



RECOMMENDED LAND PATTERN

| Dimension Limits         | Units | MILLIMETERS |     |      |
|--------------------------|-------|-------------|-----|------|
|                          |       | MIN         | NOM | MAX  |
| Contact Pitch            | E     | 0.65 BSC    |     |      |
| Contact Pad Spacing      | C     | 7.20        |     |      |
| Contact Pad Width (X28)  | X1    |             |     | 0.45 |
| Contact Pad Length (X28) | Y1    |             |     | 1.75 |
| Distance Between Pads    | G     | 0.20        |     |      |

**Notes:**

1. Dimensioning and tolerancing per ASME Y14.5M

BSC: Basic Dimension. Theoretically exact value shown without tolerances.

Microchip Technology Drawing No. C04-2073A

# PIC24FJ64GB004 FAMILY

---

NOTES:

# PIC24FJ64GB004 FAMILY

---

## APPENDIX A: REVISION HISTORY

### Revision A (April 2009)

Original data sheet for the PIC24FJ64GB004 family of devices.

### Revision B (July 2009)

Removed the unimplemented CNPD1 and CNPD2 registers from Table 4-4. Corrected the addresses of the CNPU1 and CNPU2 registers in the same table.

Updated Table 6-2 (Reset Delay Times) with the addition of TRSRT to all table entries.

Updated Register 7-35 (INTTREG) with a more descriptive version.

Updated **Section 9.2.4 “Deep Sleep Mode”** with family-specific information and an extended discussion of special cases for Deep Sleep mode entry.

Updated **Section 29.1 “DC Characteristics”** as follows:

- Added Maximum values to Tables 29-4, 29-5, 29-6 and 29-7.
- Updated specifications in Tables 29-3 and 29-8.
- Added new Tables 29-11 (Comparator Specifications) and 29-12 (Comparator Voltage Reference Specifications), renumbering all subsequent tables.
- Removed redundant or obsolete specifications in Tables 29-6, 29-7 and 29-12.

Updated **Section 29.2 “AC Characteristics and Timing Parameters”** as follows:

- Updated specifications in Tables 29-17 and 29-19.
- Added new Table 29-21 (Reset, Power-up Timer and Brown-out Reset Timing Requirements), renumbering all subsequent tables.

Other minor typographic revisions throughout the document.

### Revision C (October 2009)

Corrected **Section 10.3 “Input Change Notification”** regarding the number of ICN inputs and the availability of pull-downs.

Updated **Section 10.4.2 “Available Peripherals”** by removing the Timer 1 clock input from Table 10-2.

Updated **Section 29.1 “DC Characteristics”** as follows:

- Added new specifications to Tables 29-4 and 29-5 for IDD and IDLE at 0.5 MIPS operation.
- Updated Table 29-4 with revised maximum IDD specifications for 1 MIPS and 4 MIPS.
- Renumbered the parameters for the delta IPD current (32 kHz, SOSCEL = 11) from DC62n to DC63n.

### Revision D (August 2010)

Updated **Section 10.4.5 “Considerations for Peripheral Pin Selection”** as follows:

- Replaced the code in Example 10-1.
- Added the new code in Example 10-3.

Updated Figure 18-1 in **Section 18.0 “Universal Serial Bus with On-The-Go Support (USB OTG)”**

Updated **Section 29.1 “DC Characteristics”** as follows:

- Added the “125°C data” in Table 29-4, Table 29-5, Table 29-6 and Table 29-7.
- Updated Min and Typ columns of DC16 in Table 29-3.
- Updated OS10 parameter in Table 29-16.
- Added rows, AD08 and AD09, in Table 29-22.
- Added Figure 29-2.

# PIC24FJ64GB004 FAMILY

---

NOTES:

# PIC24FJ64GB004 FAMILY

## INDEX

### A

|                                               |     |
|-----------------------------------------------|-----|
| A/D Converter                                 |     |
| Analog Input Model .....                      | 267 |
| Transfer Function .....                       | 268 |
| AC Characteristics                            |     |
| A/D Specifications .....                      | 324 |
| ADC Conversion Requirements .....             | 325 |
| Capacitive Loading Requirements on            |     |
| Output Pins .....                             | 319 |
| CLKO and I/O Timing .....                     | 322 |
| External Clock Requirements .....             | 320 |
| Internal RC Oscillator Accuracy .....         | 321 |
| Internal RC Oscillator Specifications .....   | 321 |
| Load Conditions and Requirements for          |     |
| Timing Specifications .....                   | 319 |
| PLL Clock Specifications .....                | 321 |
| Reset, Power-up Timer and Brown-out           |     |
| Reset Timing .....                            | 322 |
| Temperature and Voltage Specifications .....  | 319 |
| Alternate Interrupt Vector Table (AIVT) ..... | 69  |
| Assembler                                     |     |
| MPASM Assembler .....                         | 294 |

### B

|                                                         |     |
|---------------------------------------------------------|-----|
| Block Diagrams                                          |     |
| 10-Bit High-Speed A/D Converter .....                   | 260 |
| 16-Bit Asynchronous Timer3 and Timer5 .....             | 153 |
| 16-Bit Synchronous Timer2 and Timer4 .....              | 153 |
| 16-Bit Timer1 Module .....                              | 149 |
| 32-Bit Timer2/3 and Timer4/5 .....                      | 152 |
| 8-Bit Multiplexed Address and Data                      |     |
| Application Example .....                               | 240 |
| Accessing Program Memory Using Table Instructions ..... | 52  |
| Addressable PSP Example .....                           | 238 |
| Addressing for Table Registers .....                    | 55  |
| BDT Mapping for Endpoint Buffering Modes .....          | 202 |
| CALL Stack Frame .....                                  | 50  |
| Comparator Voltage Reference .....                      | 273 |
| CPU Programmer's Model .....                            | 27  |
| CRC Module .....                                        | 253 |
| CRC Shift Engine .....                                  | 253 |
| CTMU Connections and Internal Configuration             |     |
| for Capacitance Measurement .....                       | 275 |
| CTMU Typical Connections and Internal                   |     |
| Configuration for Pulse Delay Generation .....          | 276 |
| CTMU Typical Connections and Internal                   |     |
| Configuration for Time Measurement .....                | 276 |
| Data Access From Program Space Address                  |     |
| Generation .....                                        | 51  |
| I <sup>2</sup> C Module .....                           | 182 |
| Individual Comparator Configurations .....              | 270 |
| Input Capture .....                                     | 157 |
| LCD Control Example, Byte Mode .....                    | 240 |
| Legacy PSP Example .....                                | 238 |
| Master Mode, Demultiplexed Addressing .....             | 238 |
| Master Mode, Fully Multiplexed Addressing .....         | 239 |
| Master Mode, Partially Multiplexed Addressing .....     | 239 |
| Multiplexed Addressing Application Example .....        | 239 |
| On-Chip Regulator Connections .....                     | 287 |
| Output Compare (16-Bit Mode) .....                      | 162 |
| Parallel EEPROM Example, 16-Bit Data .....              | 240 |
| Parallel EEPROM Example, 8-Bit Data .....               | 240 |

|                                                   |     |
|---------------------------------------------------|-----|
| Partially Multiplexed Addressing                  |     |
| Application Example .....                         | 239 |
| PIC24F CPU Core .....                             | 26  |
| PIC24FJ64GB004 Family (General) .....             | 12  |
| PMP Module Overview .....                         | 231 |
| PSV Operation .....                               | 53  |
| Reset System .....                                | 63  |
| RTCC .....                                        | 241 |
| SPI Master, Frame Master Connection .....         | 179 |
| SPI Master, Frame Slave Connection .....          | 179 |
| SPI Master/Slave Connection                       |     |
| (Enhanced Buffer Modes) .....                     | 178 |
| SPI Master/Slave Connection (Standard Mode) ..... | 178 |
| SPI Slave, Frame Master Connection .....          | 179 |
| SPI Slave, Frame Slave Connection .....           | 179 |
| SPIx Module (Enhanced Mode) .....                 | 173 |
| SPIx Module (Standard Mode) .....                 | 172 |
| System Clock .....                                | 107 |
| Triple Comparator Module .....                    | 269 |
| Typical Shared I/O Port Structure .....           | 127 |
| UART (Simplified) .....                           | 189 |
| USB OTG                                           |     |
| Bus Power Only .....                              | 199 |
| Dual Power, Example .....                         | 199 |
| External Pull-up for Full-Speed                   |     |
| Device Mode .....                                 | 199 |
| Host Interface, Example .....                     | 200 |
| OTG Interface, Example .....                      | 200 |
| Self-Power Only .....                             | 199 |
| USB OTG Interrupt Funnel .....                    | 206 |
| USB OTG Module .....                              | 198 |
| USB PLL .....                                     | 114 |
| Watchdog Timer (WDT) .....                        | 289 |

### C

|                                                   |     |
|---------------------------------------------------|-----|
| C Compilers                                       |     |
| MPLAB C18 .....                                   | 294 |
| Charge Time Measurement Unit. See CTMU.           |     |
| Code Examples                                     |     |
| Basic Clock Switching Sequence .....              | 113 |
| Configuring UART1 Input and Output                |     |
| Functions, Assembly .....                         | 134 |
| Erasing a Program Memory Block, 'C' .....         | 59  |
| I/O Port Write/Read .....                         | 128 |
| Initiating a Programming Sequence, 'C' .....      | 60  |
| Initiating a Programming Sequence, Assembly ..... | 60  |
| Loading the Write Buffers, 'C' .....              | 60  |
| Loading the Write Buffers, Assembly .....         | 59  |
| PWRSAV Instruction Syntax .....                   | 117 |
| Setting the RTCWREN Bit .....                     | 242 |
| Single-Word Flash Programming, 'C' .....          | 61  |
| Single-Word Flash Programming, Assembly .....     | 61  |
| Code Protection .....                             | 289 |
| Code Segment Protection .....                     | 290 |
| Configuration Options .....                       | 290 |
| Configuration Register Protection .....           | 290 |
| Comparator Voltage Reference .....                | 273 |
| Configuring .....                                 | 273 |
| Configuration Bits .....                          | 279 |
| Core Features .....                               | 9   |

# PIC24FJ64GB004 FAMILY

|                                                        |             |  |
|--------------------------------------------------------|-------------|--|
| CPU                                                    |             |  |
| Arithmetic Logic Unit (ALU).....                       | 29          |  |
| Clocking Scheme.....                                   | 108         |  |
| Control Registers.....                                 | 28          |  |
| Core Registers.....                                    | 27          |  |
| Programmer's Model.....                                | 25          |  |
| CRC                                                    |             |  |
| Registers.....                                         | 255         |  |
| Typical Operation.....                                 | 255         |  |
| User Interface.....                                    | 254         |  |
| Data.....                                              | 254         |  |
| Polynomial.....                                        | 254         |  |
| CTMU                                                   |             |  |
| Measuring Capacitance.....                             | 275         |  |
| Measuring Time.....                                    | 276         |  |
| Pulse Delay and Generation.....                        | 276         |  |
| Customer Change Notification Service.....              | 348         |  |
| Customer Notification Service.....                     | 348         |  |
| Customer Support.....                                  | 348         |  |
| <b>D</b>                                               |             |  |
| Data Memory                                            |             |  |
| Address Space.....                                     | 33          |  |
| Memory Map.....                                        | 33          |  |
| Near Data Space.....                                   | 34          |  |
| SFR Space.....                                         | 34          |  |
| Software Stack.....                                    | 50          |  |
| Space Organization and Alignment.....                  | 34          |  |
| DC Characteristics                                     |             |  |
| Comparator Specifications.....                         | 318         |  |
| Comparator Voltage Reference.....                      | 318         |  |
| I/O Pin Input Specifications.....                      | 316         |  |
| I/O Pin Output Specifications.....                     | 317         |  |
| Idle Current.....                                      | 311         |  |
| Internal Voltage Regulator.....                        | 318         |  |
| Operating Current.....                                 | 309         |  |
| Power-Down Base Current.....                           | 313         |  |
| Power-Down Peripheral Module Current (IPD).....        | 314         |  |
| Program Memory.....                                    | 317         |  |
| Temperature and Voltage Specifications.....            | 308         |  |
| Deep Sleep BOR (DSBOR).....                            | 67          |  |
| Deep Sleep Watchdog Timer (DSWDT).....                 | 289         |  |
| Development Support.....                               | 293         |  |
| DISVREG Pin.....                                       | 287         |  |
| Doze Mode.....                                         | 125         |  |
| <b>E</b>                                               |             |  |
| Electrical Characteristics                             |             |  |
| Absolute Maximum Ratings.....                          | 305         |  |
| Thermal Conditions.....                                | 307         |  |
| V/F Graphs.....                                        | 306         |  |
| Equations                                              |             |  |
| A/D Conversion Clock Period.....                       | 267         |  |
| Baud Rate Reload Calculation.....                      | 183         |  |
| Calculating the PWM Period.....                        | 165         |  |
| Calculation for Maximum PWM Resolution.....            | 165         |  |
| Estimating USB Transceiver Current                     |             |  |
| Consumption.....                                       | 201         |  |
| Relationship Between Device and SPI                    |             |  |
| Clock Speed.....                                       | 180         |  |
| UART Baud Rate with BRGH = 0.....                      | 190         |  |
| UART Baud Rate with BRGH = 1.....                      | 190         |  |
| Errata.....                                            | 8           |  |
| Examples                                               |             |  |
| Baud Rate Error Calculation (BRGH = 0).....            | 190         |  |
| <b>F</b>                                               |             |  |
| Flash Configuration Words.....                         | 32, 279–285 |  |
| Flash Program Memory.....                              | 55          |  |
| and Table Instructions.....                            | 55          |  |
| Enhanced ICSP Operation.....                           | 56          |  |
| JTAG Operation.....                                    | 56          |  |
| Programming Algorithm.....                             | 58          |  |
| RTSP Operation.....                                    | 56          |  |
| Single-Word Programming.....                           | 61          |  |
| <b>I</b>                                               |             |  |
| I/O Ports                                              |             |  |
| Analog Input Voltage Considerations.....               | 128         |  |
| Analog Port Pins Configuration.....                    | 128         |  |
| Input Change Notification.....                         | 129         |  |
| Open-Drain Configuration.....                          | 128         |  |
| Parallel (PIO).....                                    | 127         |  |
| Peripheral Pin Select.....                             | 129         |  |
| Pull-ups and Pull-Downs.....                           | 129         |  |
| i <sup>2</sup> C                                       |             |  |
| Clock Rates.....                                       | 183         |  |
| Communicating as Master in a Single                    |             |  |
| Master Environment.....                                | 181         |  |
| Reserved Addresses.....                                | 183         |  |
| Setting Baud Rate When Operating as                    |             |  |
| Bus Master.....                                        | 183         |  |
| Slave Address Masking.....                             | 183         |  |
| Input Capture                                          |             |  |
| 32-Bit Mode.....                                       | 158         |  |
| Operations.....                                        | 158         |  |
| Synchronous and Trigger Modes.....                     | 157         |  |
| Input Capture with Dedicated Timers.....               | 157         |  |
| Instruction Set                                        |             |  |
| Overview.....                                          | 299         |  |
| Summary.....                                           | 297         |  |
| Symbols Used in Opcode Descriptions.....               | 298         |  |
| Instruction-Based Power-Saving Modes.....              | 117         |  |
| Deep Sleep.....                                        | 118         |  |
| Idle.....                                              | 118         |  |
| Sleep.....                                             | 117         |  |
| Inter-Integrated Circuit. See i <sup>2</sup> C.....    | 181         |  |
| Internet Address.....                                  | 348         |  |
| Interrupt Service Routine (ISR).....                   | 106         |  |
| Interrupt Vector Table (IVT).....                      | 69          |  |
| Interrupts                                             |             |  |
| and Reset Sequence.....                                | 69          |  |
| Control and Status Registers.....                      | 72          |  |
| Implemented Vectors.....                               | 71          |  |
| Setup and Service Procedures.....                      | 106         |  |
| Trap Vectors.....                                      | 70          |  |
| Vector Table.....                                      | 70          |  |
| <b>J</b>                                               |             |  |
| JTAG Interface.....                                    | 291         |  |
| <b>M</b>                                               |             |  |
| Microchip Internet Web Site.....                       | 348         |  |
| MPLAB ASM30 Assembler, Linker, Librarian.....          | 294         |  |
| MPLAB Integrated Development Environment Software..... | 293         |  |
| MPLAB PM3 Device Programmer.....                       | 296         |  |
| MPLAB REAL ICE In-Circuit Emulator System.....         | 295         |  |
| MPLINK Object Linker/MPLIB Object Librarian.....       | 294         |  |



# PIC24FJ64GB004 FAMILY

|                                            |         |                                               |     |
|--------------------------------------------|---------|-----------------------------------------------|-----|
| <b>N</b>                                   |         | CPU Core .....                                | 35  |
| Near Data Space .....                      | 34      | CRC .....                                     | 46  |
| <b>O</b>                                   |         | CTMU .....                                    | 43  |
| On-Chip Voltage Regulator .....            | 287     | Deep Sleep .....                              | 48  |
| BOR .....                                  | 288     | I <sup>2</sup> C .....                        | 41  |
| POR .....                                  | 287     | ICN .....                                     | 36  |
| Power-up Requirements .....                | 288     | Input Capture .....                           | 39  |
| Standby Mode .....                         | 288     | Interrupt Controller .....                    | 37  |
| Tracking .....                             | 287     | NVM .....                                     | 48  |
| Oscillator Configuration .....             | 107     | Output Compare .....                          | 40  |
| Clock Selection .....                      | 108     | Pad Configuration .....                       | 43  |
| Clock Switching .....                      | 112     | Parallel Master/Slave Port .....              | 45  |
| Sequence .....                             | 113     | Peripheral Pin Select .....                   | 47  |
| Initial Configuration on POR .....         | 108     | PMD .....                                     | 49  |
| Secondary Oscillator (SOSC) .....          | 115     | PORTA .....                                   | 42  |
| USB Operation .....                        | 114     | PORTB .....                                   | 42  |
| Special Considerations .....               | 114     | PORTC .....                                   | 42  |
| Output Compare                             |         | RTCC .....                                    | 46  |
| 32-Bit Mode .....                          | 161     | SPI .....                                     | 42  |
| Operations .....                           | 163     | System .....                                  | 48  |
| Subcycle Resolution .....                  | 166     | Timers .....                                  | 38  |
| Synchronous and Trigger Modes .....        | 161     | UART .....                                    | 41  |
| Output Compare with Dedicated Timers ..... | 161     | USB OTG .....                                 | 44  |
| <b>P</b>                                   |         | <b>Registers</b>                              |     |
| Packaging .....                            | 327     | AD1CHS (A/D Input Select) .....               | 264 |
| Details .....                              | 329     | AD1CON1 (A/D Control 1) .....                 | 261 |
| Marking .....                              | 327     | AD1CON2 (A/D Control 2) .....                 | 262 |
| Parallel Master Port. <i>See</i> PMP ..... | 231     | AD1CON3 (A/D Control 3) .....                 | 263 |
| Peripheral Enable Bits .....               | 125     | AD1CSSL (A/D Input Scan Select) .....         | 266 |
| Peripheral Module Disable Bits .....       | 125     | AD1PCFG (A/D Port Configuration) .....        | 265 |
| Peripheral Pin Select (PPS) .....          | 129     | ALCFGRPT (Alarm Configuration) .....          | 245 |
| Available Peripherals and Pins .....       | 129     | ALMINSEC (Alarm Minutes and                   |     |
| Configuration Control .....                | 132     | Seconds Value) .....                          | 249 |
| Considerations for Use .....               | 133     | ALMTHDY (Alarm Month and Day Value) .....     | 248 |
| Input Mapping .....                        | 130     | ALWDHR (Alarm Weekday and Hours Value) .....  | 248 |
| Output Mapping .....                       | 131     | BDnSTAT Prototype (Buffer Descriptor n        |     |
| Peripheral Priority .....                  | 129     | Status, CPU Mode) .....                       | 205 |
| Pin Diagrams .....                         | 4, 5, 6 | BDnSTAT Prototype (Buffer Descriptor n        |     |
| Pinout Descriptions .....                  | 13      | Status, USB Mode) .....                       | 204 |
| Power-Saving Features .....                | 117     | CLKDIV (Clock Divider) .....                  | 111 |
| Clock Frequency and Clock Switching .....  | 117     | CMSTAT (Comparator Module Status) .....       | 272 |
| Product Identification System .....        | 350     | CMxCON (Comparator x Control) .....           | 271 |
| Program Memory                             |         | CORCON (CPU Control) .....                    | 29  |
| Access Using Table Instructions .....      | 52      | CORCON (CPU Core Control) .....               | 73  |
| Address Space .....                        | 31      | CRCCON1 (CRC Control 1) .....                 | 256 |
| Addressing .....                           | 50      | CRCCON2 (CRC Control 2) .....                 | 257 |
| Flash Configuration Words .....            | 32      | CRCXORH (CRC XOR Polynomial, High Byte) ..... | 258 |
| Memory Maps .....                          | 31      | CRCXORL (CRC XOR Polynomial, Low Byte) .....  | 257 |
| Organization .....                         | 32      | CTMUCON (CTMU Control) .....                  | 277 |
| Program Space Visibility .....             | 53      | CTMUICON (CTMU Current Control) .....         | 278 |
| Program Space Visibility (PSV) .....       | 53      | CVRCON (Comparator Voltage                    |     |
| Program Verification .....                 | 289     | Reference Control) .....                      | 274 |
| Pulse-Width Modulation (PWM) Mode .....    | 164     | CW1 (Flash Configuration Word 1) .....        | 280 |
| Pulse-Width Modulation. <i>See</i> PWM.    |         | CW2 (Flash Configuration Word 2) .....        | 282 |
| PWM                                        |         | CW3 (Flash Configuration Word 3) .....        | 284 |
| Duty Cycle and Period .....                | 165     | DEVID (Device ID) .....                       | 286 |
| <b>R</b>                                   |         | DEVREV (Device Revision) .....                | 286 |
| Reader Response .....                      | 349     | DSCON (Deep Sleep Control) .....              | 123 |
| Reference Clock Output .....               | 115     | DSWAKE (Deep Sleep Wake-up Source) .....      | 124 |
| Register Maps                              |         | I2CxCON (I2Cx Control) .....                  | 184 |
| A/D Converter .....                        | 43      | I2CxMSK (I2Cx Slave Mode Address Mask) .....  | 188 |
| Comparators .....                          | 46      | I2CxSTAT (I2Cx Status) .....                  | 186 |
|                                            |         | ICxCON1 (Input Capture x Control 1) .....     | 159 |
|                                            |         | ICxCON2 (Input Capture x Control 2) .....     | 160 |
|                                            |         | IEC0 (Interrupt Enable Control 0) .....       | 82  |

# PIC24FJ64GB004 FAMILY

|                                                       |          |                                                                       |     |
|-------------------------------------------------------|----------|-----------------------------------------------------------------------|-----|
| IEC1 (Interrupt Enable Control 1) .....               | 83       | RPOR11 (Peripheral Pin Select Output 11).....                         | 147 |
| IEC2 (Interrupt Enable Control 2) .....               | 84       | RPOR12 (Peripheral Pin Select Output 12).....                         | 148 |
| IEC3 (Interrupt Enable Control 3) .....               | 85       | RPOR2 (Peripheral Pin Select Output 2).....                           | 143 |
| IEC4 (Interrupt Enable Control 4) .....               | 86       | RPOR3 (Peripheral Pin Select Output 3).....                           | 143 |
| IEC5 (Interrupt Enable Control 5) .....               | 87       | RPOR4 (Peripheral Pin Select Output 4).....                           | 144 |
| IFS0 (Interrupt Flag Status 0) .....                  | 76       | RPOR5 (Peripheral Pin Select Output 5).....                           | 144 |
| IFS1 (Interrupt Flag Status 1) .....                  | 77       | RPOR6 (Peripheral Pin Select Output 6).....                           | 145 |
| IFS2 (Interrupt Flag Status 2) .....                  | 78       | RPOR7 (Peripheral Pin Select Output 7).....                           | 145 |
| IFS3 (Interrupt Flag Status 3) .....                  | 79       | RPOR8 (Peripheral Pin Select Output 8).....                           | 146 |
| IFS4 (Interrupt Flag Status 4) .....                  | 80       | RPOR9 (Peripheral Pin Select Output 9).....                           | 146 |
| IFS5 (Interrupt Flag Status 5) .....                  | 81       | SPIxCON1 (SPIx Control 1).....                                        | 176 |
| INTCON1 (Interrupt Control 1).....                    | 74       | SPIxCON2 (SPIx Control 2).....                                        | 177 |
| INTCON2 (Interrupt Control 2).....                    | 75       | SPIxSTAT (SPIx Status and Control).....                               | 174 |
| INTTREG (Interrupt Control and Status).....           | 105      | SR (ALU STATUS, in CPU).....                                          | 73  |
| IPC0 (Interrupt Priority Control 0) .....             | 88       | SR (ALU STATUS).....                                                  | 28  |
| IPC1 (Interrupt Priority Control 1) .....             | 89       | T1CON (Timer1 Control) .....                                          | 150 |
| IPC10 (Interrupt Priority Control 10) .....           | 98       | TxCON (Timer2 and Timer4 Control) .....                               | 154 |
| IPC11 (Interrupt Priority Control 11) .....           | 99       | TyCON (Timer3 and Timer5 Control) .....                               | 155 |
| IPC12 (Interrupt Priority Control 12) .....           | 100      | U1ADDR (USB Address).....                                             | 219 |
| IPC15 (Interrupt Priority Control 15) .....           | 101      | U1CNFG1 (USB Configuration 1).....                                    | 220 |
| IPC16 (Interrupt Priority Control 16) .....           | 102      | U1CNFG2 (USB Configuration 2).....                                    | 221 |
| IPC18 (Interrupt Priority Control 18) .....           | 103      | U1CON (USB Control, Device Mode).....                                 | 217 |
| IPC19 (Interrupt Priority Control 19) .....           | 103      | U1CON (USB Control, Host Mode) .....                                  | 218 |
| IPC2 (Interrupt Priority Control 2) .....             | 90       | U1EIE (USB Error Interrupt Enable).....                               | 228 |
| IPC21 (Interrupt Priority Control 21) .....           | 104      | U1EIR (USB Error Interrupt Status).....                               | 227 |
| IPC3 (Interrupt Priority Control 3) .....             | 91       | U1EPn (USB Endpoint n Control).....                                   | 229 |
| IPC4 (Interrupt Priority Control 4) .....             | 92       | U1IE (USB Interrupt Enable) .....                                     | 226 |
| IPC5 (Interrupt Priority Control 5) .....             | 93       | U1IR (USB Interrupt Status, Device Mode) .....                        | 224 |
| IPC6 (Interrupt Priority Control 6) .....             | 94       | U1IR (USB Interrupt Status, Host Mode).....                           | 225 |
| IPC7 (Interrupt Priority Control 7) .....             | 95       | U1OTGCON (USB OTG Control).....                                       | 214 |
| IPC8 (Interrupt Priority Control 8) .....             | 96       | U1OTGIE (USB OTG Interrupt Enable,<br>Host Mode).....                 | 223 |
| IPC9 (Interrupt Priority Control 9) .....             | 97       | U1OTGIR (USB OTG Interrupt Status,<br>Host Mode).....                 | 222 |
| MINSEC (RTCC Minutes and Seconds Value).....          | 247      | U1OTGSTAT (USB OTG Status, Host Mode).....                            | 213 |
| MTHDY (RTCC Month and Day Value) .....                | 246      | U1PWMCON USB (V <sub>BUS</sub> PWM Generator<br>Control).....         | 230 |
| NVMCON (Flash Memory Control) .....                   | 57       | U1PWRC (USB Power Control).....                                       | 215 |
| OCxCON1 (Output Compare x Control 1) .....            | 167      | U1SOF (USB OTG Start-of-Token<br>Threshold, Host Mode).....           | 220 |
| OCxCON2 (Output Compare x Control 2) .....            | 169      | U1STAT (USB Status).....                                              | 216 |
| OSCCON (Oscillator Control).....                      | 109      | U1TOK (USB Token, Host Mode).....                                     | 219 |
| OSCTUN (FRC Oscillator Tune).....                     | 112      | UxMODE (UARTx Mode).....                                              | 192 |
| PADCFG1 (Pad Configuration Control).....              | 237, 244 | UxSTA (UARTx Status and Control).....                                 | 194 |
| PMADDR (Parallel Port Address) .....                  | 235      | WKDYHR (RTCC Weekday and Hours Value).....                            | 247 |
| PMAEN (Parallel Port Enable) .....                    | 235      | YEAR (RTCC Year Value).....                                           | 246 |
| PMCON (Parallel Port Control) .....                   | 232      | Reset, Power-up Timer and Brown-out Reset<br>Timing Requirements..... | 322 |
| PMMODE (Parallel Port Mode).....                      | 234      | Resets                                                                |     |
| PMSTAT (Parallel Port Status) .....                   | 236      | BOR (Brown-out Reset).....                                            | 63  |
| RCFGCAL (RTCC Calibration and<br>Configuration) ..... | 243      | Clock Source Selection.....                                           | 65  |
| RCON (Reset Control).....                             | 64       | CM (Configuration Mismatch Reset).....                                | 63  |
| REFOCON (Reference Oscillator Control).....           | 116      | Delay Times.....                                                      | 66  |
| RPINR0 (Peripheral Pin Select Input 0).....           | 135      | Device Times .....                                                    | 65  |
| RPINR1 (Peripheral Pin Select Input 1).....           | 135      | IQPUWR (Illegal Opcode Reset) .....                                   | 63  |
| RPINR11 (Peripheral Pin Select Input 11).....         | 138      | MCLR (Pin Reset).....                                                 | 63  |
| RPINR18 (Peripheral Pin Select Input 18).....         | 139      | POR (Power-on Reset).....                                             | 63  |
| RPINR19 (Peripheral Pin Select Input 19).....         | 139      | RCON Flags Operation.....                                             | 65  |
| RPINR20 (Peripheral Pin Select Input 20).....         | 140      | SFR States .....                                                      | 67  |
| RPINR21 (Peripheral Pin Select Input 21).....         | 140      | SWR (RESET Instruction) .....                                         | 63  |
| RPINR22 (Peripheral Pin Select Input 22).....         | 141      | TRAPR (Trap Conflict Reset) .....                                     | 63  |
| RPINR23 (Peripheral Pin Select Input 23).....         | 141      | UWR (Uninitialized W Register Reset) .....                            | 63  |
| RPINR3 (Peripheral Pin Select Input 3).....           | 136      | WDT (Watchdog Timer Reset) .....                                      | 63  |
| RPINR4 (Peripheral Pin Select Input 4).....           | 136      | Revision History.....                                                 | 341 |
| RPINR7 (Peripheral Pin Select Input 7).....           | 137      |                                                                       |     |
| RPINR8 (Peripheral Pin Select Input 8).....           | 137      |                                                                       |     |
| RPINR9 (Peripheral Pin Select Input 9).....           | 138      |                                                                       |     |
| RPOR1 (Peripheral Pin Select Output 1).....           | 142      |                                                                       |     |
| RPOR10 (Peripheral Pin Select Output 10).....         | 147      |                                                                       |     |

# PIC24FJ64GB004 FAMILY

|                                                                   |         |  |  |
|-------------------------------------------------------------------|---------|--|--|
| RTCC                                                              |         |  |  |
| Alarm Configuration .....                                         | 250     |  |  |
| Alarm Mask Settings (figure).....                                 | 251     |  |  |
| Calibration.....                                                  | 250     |  |  |
| Register Mapping.....                                             | 242     |  |  |
| Selecting Clock Source.....                                       | 242     |  |  |
| Source Clock.....                                                 | 241     |  |  |
| Write Lock.....                                                   | 242     |  |  |
| <b>S</b>                                                          |         |  |  |
| Selective Peripheral Power Control .....                          | 125     |  |  |
| Serial Peripheral Interface. <i>See</i> SPI.                      |         |  |  |
| SFR Space.....                                                    | 34      |  |  |
| Software Simulator (MPLAB SIM).....                               | 295     |  |  |
| Software Stack.....                                               | 50      |  |  |
| Special Features .....                                            | 10      |  |  |
| SPI                                                               |         |  |  |
| <b>T</b>                                                          |         |  |  |
| Timer1.....                                                       | 149     |  |  |
| Timer2/3 and Timer4/5.....                                        | 151     |  |  |
| Timing Diagrams                                                   |         |  |  |
| CLKO and I/O Timing.....                                          | 322     |  |  |
| External Clock.....                                               | 320     |  |  |
| Trap Service Routine (TSR).....                                   | 106     |  |  |
| Triple Comparator.....                                            | 269     |  |  |
| <b>U</b>                                                          |         |  |  |
| UART .....                                                        | 189     |  |  |
| Baud Rate Generator (BRG).....                                    | 190     |  |  |
| IrDA Support .....                                                | 191     |  |  |
| Operation of $\overline{UxCTS}$ and $\overline{UxRTS}$ Pins ..... | 191     |  |  |
| Receiving                                                         |         |  |  |
| 8-Bit or 9-Bit Data Mode .....                                    | 191     |  |  |
| Transmitting                                                      |         |  |  |
| 8-Bit Data Mode.....                                              | 191     |  |  |
| 9-Bit Data Mode.....                                              | 191     |  |  |
| Break and Sync Sequence .....                                     | 191     |  |  |
| Universal Asynchronous Receiver Transmitter. <i>See</i> UART.     |         |  |  |
| Universal Serial Bus                                              |         |  |  |
| Buffer Descriptors                                                |         |  |  |
| Assignment in Different Buffering Modes .....                     | 203     |  |  |
| Interrupts                                                        |         |  |  |
| and USB Transactions.....                                         | 207     |  |  |
| Universal Serial Bus. <i>See</i> USB OTG.                         |         |  |  |
| USB On-The-Go (OTG).....                                          | 10      |  |  |
| USB OTG                                                           |         |  |  |
| Buffer Descriptors and BDT.....                                   | 202     |  |  |
| Device Mode Operation.....                                        | 207     |  |  |
| DMA Interface.....                                                | 203     |  |  |
| Hardware Configuration                                            |         |  |  |
| Device Mode.....                                                  | 199     |  |  |
| External Interface .....                                          | 201     |  |  |
| Host and OTG Modes.....                                           | 200     |  |  |
| Transceiver Power Requirements .....                              | 201     |  |  |
| VBUS Voltage Generation .....                                     | 201     |  |  |
| Host Mode Operation .....                                         | 208     |  |  |
| Interrupts .....                                                  | 206     |  |  |
| OTG Operation.....                                                | 210     |  |  |
| Registers .....                                                   | 212–230 |  |  |
| VBUS Voltage Generation .....                                     | 201     |  |  |
| <b>V</b>                                                          |         |  |  |
| VDDCORE/VCAP Pin .....                                            | 287     |  |  |
| <b>W</b>                                                          |         |  |  |
| Watchdog Timer (WDT).....                                         | 288     |  |  |
| Control Register.....                                             | 289     |  |  |
| Windowed Operation .....                                          | 289     |  |  |
| WWW Address .....                                                 | 348     |  |  |
| WWW, On-Line Support .....                                        | 8       |  |  |

# PIC24FJ64GB004 FAMILY

---

NOTES:

# PIC24FJ64GB004 FAMILY

---

## THE MICROCHIP WEB SITE

Microchip provides online support via our WWW site at [www.microchip.com](http://www.microchip.com). This web site is used as a means to make files and information easily available to customers. Accessible by using your favorite Internet browser, the web site contains the following information:

- **Product Support** – Data sheets and errata, application notes and sample programs, design resources, user's guides and hardware support documents, latest software releases and archived software
- **General Technical Support** – Frequently Asked Questions (FAQ), technical support requests, online discussion groups, Microchip consultant program member listing
- **Business of Microchip** – Product selector and ordering guides, latest Microchip press releases, listing of seminars and events, listings of Microchip sales offices, distributors and factory representatives

## CUSTOMER CHANGE NOTIFICATION SERVICE

Microchip's customer notification service helps keep customers current on Microchip products. Subscribers will receive e-mail notification whenever there are changes, updates, revisions or errata related to a specified product family or development tool of interest.

To register, access the Microchip web site at [www.microchip.com](http://www.microchip.com), click on Customer Change Notification and follow the registration instructions.

## CUSTOMER SUPPORT

Users of Microchip products can receive assistance through several channels:

- Distributor or Representative
- Local Sales Office
- Field Application Engineer (FAE)
- Technical Support
- Development Systems Information Line

Customers should contact their distributor, representative or field application engineer (FAE) for support. Local sales offices are also available to help customers. A listing of sales offices and locations is included in the back of this document.

**Technical support is available through the web site at: <http://support.microchip.com>**

# PIC24FJ64GB004 FAMILY

---

## READER RESPONSE

It is our intention to provide you with the best documentation possible to ensure successful use of your Microchip product. If you wish to provide your comments on organization, clarity, subject matter, and ways in which our documentation can better serve you, please FAX your comments to the Technical Publications Manager at (480) 792-4150.

Please list the following information, and use this outline to provide us with your comments about this document.

To: Technical Publications Manager  
RE: Reader Response  
Total Pages Sent \_\_\_\_\_

From: Name \_\_\_\_\_  
Company \_\_\_\_\_  
Address \_\_\_\_\_  
City / State / ZIP / Country \_\_\_\_\_  
Telephone: (\_\_\_\_\_) \_\_\_\_\_ - \_\_\_\_\_ FAX: (\_\_\_\_\_) \_\_\_\_\_ - \_\_\_\_\_

Application (optional):

Would you like a reply? \_\_\_Y \_\_\_N

Device: PIC24FJ64GB004 Family Literature Number: DS39940D

Questions:

1. What are the best features of this document?

---

---

2. How does this document meet your hardware and software development needs?

---

---

3. Do you find the organization of this document easy to follow? If not, why?

---

---

4. What additions to the document do you think would enhance the structure and subject?

---

---

5. What deletions from the document could be made without affecting the overall usefulness?

---

---

6. Is there any incorrect or misleading information (what and where)?

---

---

7. How would you improve this document?

---

---

# PIC24FJ64GB004 FAMILY

## PRODUCT IDENTIFICATION SYSTEM

To order or obtain information, e.g., on pricing or delivery, refer to the factory or the listed sales office.

|                                                                                                                                                                                                                                                                                                                                                                                                                                                                                                                                                                                                                                                                                                                                                                                                                                                                                                                                                                                                                               |                                                                                                                                                                                                                                                                                                    |              |                                          |                     |                           |               |                                                           |           |                            |                   |                                                                   |         |                                                                                                                                                                                                                                                                                       |         |                                                                                                  |
|-------------------------------------------------------------------------------------------------------------------------------------------------------------------------------------------------------------------------------------------------------------------------------------------------------------------------------------------------------------------------------------------------------------------------------------------------------------------------------------------------------------------------------------------------------------------------------------------------------------------------------------------------------------------------------------------------------------------------------------------------------------------------------------------------------------------------------------------------------------------------------------------------------------------------------------------------------------------------------------------------------------------------------|----------------------------------------------------------------------------------------------------------------------------------------------------------------------------------------------------------------------------------------------------------------------------------------------------|--------------|------------------------------------------|---------------------|---------------------------|---------------|-----------------------------------------------------------|-----------|----------------------------|-------------------|-------------------------------------------------------------------|---------|---------------------------------------------------------------------------------------------------------------------------------------------------------------------------------------------------------------------------------------------------------------------------------------|---------|--------------------------------------------------------------------------------------------------|
| <p style="text-align: center;"><b>PIC 24 FJ 64 GB0 04 T - I / PT - XXX</b></p> <p><b>Microchip Trademark</b> _____</p> <p><b>Architecture</b> _____</p> <p><b>Flash Memory Family</b> _____</p> <p><b>Program Memory Size (KB)</b> _____</p> <p><b>Product Group</b> _____</p> <p><b>Pin Count</b> _____</p> <p><b>Tape and Reel Flag (if applicable)</b> _____</p> <p><b>Temperature Range</b> _____</p> <p><b>Package</b> _____</p> <p><b>Pattern</b> _____</p>                                                                                                                                                                                                                                                                                                                                                                                                                                                                                                                                                             | <p><b>Examples:</b></p> <p>a) PIC24FJ64GB004-I/PT:<br/>PIC24F device with USB On-The-Go, 64-Kbyte program memory, 44-pin, Industrial temp., TQFP package.</p> <p>b) PIC24FJ32GB002-I/ML:<br/>PIC24F device with USB On-The-Go, 32-Kbyte program memory, 28-pin, Industrial temp., QFN package.</p> |              |                                          |                     |                           |               |                                                           |           |                            |                   |                                                                   |         |                                                                                                                                                                                                                                                                                       |         |                                                                                                  |
| <table border="1" style="width: 100%; border-collapse: collapse;"> <tr> <td style="width: 20%;">Architecture</td> <td>24 = 16-bit modified Harvard without DSP</td> </tr> <tr> <td>Flash Memory Family</td> <td>FJ = Flash program memory</td> </tr> <tr> <td>Product Group</td> <td>GB0 = General purpose microcontrollers with USB On-The-Go</td> </tr> <tr> <td>Pin Count</td> <td>02 = 28-pin<br/>04 = 44-pin</td> </tr> <tr> <td>Temperature Range</td> <td>I = -40°C to +85°C (Industrial)<br/>E = -40°C to +125°C (Extended)</td> </tr> <tr> <td>Package</td> <td>ML = 28-lead (6x6 mm) or 44-lead (8x8 mm) QFN (Quad Flat)<br/>PT = 44-lead (10x10x1 mm) TQFP (Thin Quad Flatpack)<br/>SO = 28-lead 7.50 mm wide SOIC (Small Outline)<br/>SP = 28-lead (300 mil) SPDIP (Skinny Plastic Dual In-Line)<br/>SS = 28-lead (530 mm) SSOP (Plastic Shrink Small)</td> </tr> <tr> <td>Pattern</td> <td>Three-digit QTP, SQTP, Code or Special Requirements (blank otherwise)<br/>ES = Engineering Sample</td> </tr> </table> |                                                                                                                                                                                                                                                                                                    | Architecture | 24 = 16-bit modified Harvard without DSP | Flash Memory Family | FJ = Flash program memory | Product Group | GB0 = General purpose microcontrollers with USB On-The-Go | Pin Count | 02 = 28-pin<br>04 = 44-pin | Temperature Range | I = -40°C to +85°C (Industrial)<br>E = -40°C to +125°C (Extended) | Package | ML = 28-lead (6x6 mm) or 44-lead (8x8 mm) QFN (Quad Flat)<br>PT = 44-lead (10x10x1 mm) TQFP (Thin Quad Flatpack)<br>SO = 28-lead 7.50 mm wide SOIC (Small Outline)<br>SP = 28-lead (300 mil) SPDIP (Skinny Plastic Dual In-Line)<br>SS = 28-lead (530 mm) SSOP (Plastic Shrink Small) | Pattern | Three-digit QTP, SQTP, Code or Special Requirements (blank otherwise)<br>ES = Engineering Sample |
| Architecture                                                                                                                                                                                                                                                                                                                                                                                                                                                                                                                                                                                                                                                                                                                                                                                                                                                                                                                                                                                                                  | 24 = 16-bit modified Harvard without DSP                                                                                                                                                                                                                                                           |              |                                          |                     |                           |               |                                                           |           |                            |                   |                                                                   |         |                                                                                                                                                                                                                                                                                       |         |                                                                                                  |
| Flash Memory Family                                                                                                                                                                                                                                                                                                                                                                                                                                                                                                                                                                                                                                                                                                                                                                                                                                                                                                                                                                                                           | FJ = Flash program memory                                                                                                                                                                                                                                                                          |              |                                          |                     |                           |               |                                                           |           |                            |                   |                                                                   |         |                                                                                                                                                                                                                                                                                       |         |                                                                                                  |
| Product Group                                                                                                                                                                                                                                                                                                                                                                                                                                                                                                                                                                                                                                                                                                                                                                                                                                                                                                                                                                                                                 | GB0 = General purpose microcontrollers with USB On-The-Go                                                                                                                                                                                                                                          |              |                                          |                     |                           |               |                                                           |           |                            |                   |                                                                   |         |                                                                                                                                                                                                                                                                                       |         |                                                                                                  |
| Pin Count                                                                                                                                                                                                                                                                                                                                                                                                                                                                                                                                                                                                                                                                                                                                                                                                                                                                                                                                                                                                                     | 02 = 28-pin<br>04 = 44-pin                                                                                                                                                                                                                                                                         |              |                                          |                     |                           |               |                                                           |           |                            |                   |                                                                   |         |                                                                                                                                                                                                                                                                                       |         |                                                                                                  |
| Temperature Range                                                                                                                                                                                                                                                                                                                                                                                                                                                                                                                                                                                                                                                                                                                                                                                                                                                                                                                                                                                                             | I = -40°C to +85°C (Industrial)<br>E = -40°C to +125°C (Extended)                                                                                                                                                                                                                                  |              |                                          |                     |                           |               |                                                           |           |                            |                   |                                                                   |         |                                                                                                                                                                                                                                                                                       |         |                                                                                                  |
| Package                                                                                                                                                                                                                                                                                                                                                                                                                                                                                                                                                                                                                                                                                                                                                                                                                                                                                                                                                                                                                       | ML = 28-lead (6x6 mm) or 44-lead (8x8 mm) QFN (Quad Flat)<br>PT = 44-lead (10x10x1 mm) TQFP (Thin Quad Flatpack)<br>SO = 28-lead 7.50 mm wide SOIC (Small Outline)<br>SP = 28-lead (300 mil) SPDIP (Skinny Plastic Dual In-Line)<br>SS = 28-lead (530 mm) SSOP (Plastic Shrink Small)              |              |                                          |                     |                           |               |                                                           |           |                            |                   |                                                                   |         |                                                                                                                                                                                                                                                                                       |         |                                                                                                  |
| Pattern                                                                                                                                                                                                                                                                                                                                                                                                                                                                                                                                                                                                                                                                                                                                                                                                                                                                                                                                                                                                                       | Three-digit QTP, SQTP, Code or Special Requirements (blank otherwise)<br>ES = Engineering Sample                                                                                                                                                                                                   |              |                                          |                     |                           |               |                                                           |           |                            |                   |                                                                   |         |                                                                                                                                                                                                                                                                                       |         |                                                                                                  |



---

---

## WORLDWIDE SALES AND SERVICE

---

---

### AMERICAS

**Corporate Office**  
2355 West Chandler Blvd.  
Chandler, AZ 85224-6199  
Tel: 480-792-7200  
Fax: 480-792-7277  
Technical Support:  
<http://support.microchip.com>  
Web Address:  
[www.microchip.com](http://www.microchip.com)

#### Atlanta

Duluth, GA  
Tel: 678-957-9614  
Fax: 678-957-1455

#### Boston

Westborough, MA  
Tel: 774-760-0087  
Fax: 774-760-0088

#### Chicago

Itasca, IL  
Tel: 630-285-0071  
Fax: 630-285-0075

#### Cleveland

Independence, OH  
Tel: 216-447-0464  
Fax: 216-447-0643

#### Dallas

Addison, TX  
Tel: 972-818-7423  
Fax: 972-818-2924

#### Detroit

Farmington Hills, MI  
Tel: 248-538-2250  
Fax: 248-538-2260

#### Kokomo

Kokomo, IN  
Tel: 765-864-8360  
Fax: 765-864-8387

#### Los Angeles

Mission Viejo, CA  
Tel: 949-462-9523  
Fax: 949-462-9608

#### Santa Clara

Santa Clara, CA  
Tel: 408-961-6444  
Fax: 408-961-6445

#### Toronto

Mississauga, Ontario,  
Canada  
Tel: 905-673-0699  
Fax: 905-673-6509

### ASIA/PACIFIC

**Asia Pacific Office**  
Suites 3707-14, 37th Floor  
Tower 6, The Gateway  
Harbour City, Kowloon  
Hong Kong  
Tel: 852-2401-1200  
Fax: 852-2401-3431

**Australia - Sydney**  
Tel: 61-2-9868-6733  
Fax: 61-2-9868-6755

**China - Beijing**  
Tel: 86-10-8528-2100  
Fax: 86-10-8528-2104

**China - Chengdu**  
Tel: 86-28-8665-5511  
Fax: 86-28-8665-7889

**China - Chongqing**  
Tel: 86-23-8980-9588  
Fax: 86-23-8980-9500

**China - Hong Kong SAR**  
Tel: 852-2401-1200  
Fax: 852-2401-3431

**China - Nanjing**  
Tel: 86-25-8473-2460  
Fax: 86-25-8473-2470

**China - Qingdao**  
Tel: 86-532-8502-7355  
Fax: 86-532-8502-7205

**China - Shanghai**  
Tel: 86-21-5407-5533  
Fax: 86-21-5407-5066

**China - Shenyang**  
Tel: 86-24-2334-2829  
Fax: 86-24-2334-2393

**China - Shenzhen**  
Tel: 86-755-8203-2660  
Fax: 86-755-8203-1760

**China - Wuhan**  
Tel: 86-27-5980-5300  
Fax: 86-27-5980-5118

**China - Xian**  
Tel: 86-29-8833-7252  
Fax: 86-29-8833-7256

**China - Xiamen**  
Tel: 86-592-2388138  
Fax: 86-592-2388130

**China - Zhuhai**  
Tel: 86-756-3210040  
Fax: 86-756-3210049

### ASIA/PACIFIC

**India - Bangalore**  
Tel: 91-80-3090-4444  
Fax: 91-80-3090-4123

**India - New Delhi**  
Tel: 91-11-4160-8631  
Fax: 91-11-4160-8632

**India - Pune**  
Tel: 91-20-2566-1512  
Fax: 91-20-2566-1513

**Japan - Yokohama**  
Tel: 81-45-471- 6166  
Fax: 81-45-471-6122

**Korea - Daegu**  
Tel: 82-53-744-4301  
Fax: 82-53-744-4302

**Korea - Seoul**  
Tel: 82-2-554-7200  
Fax: 82-2-558-5932 or  
82-2-558-5934

**Malaysia - Kuala Lumpur**  
Tel: 60-3-6201-9857  
Fax: 60-3-6201-9859

**Malaysia - Penang**  
Tel: 60-4-227-8870  
Fax: 60-4-227-4068

**Philippines - Manila**  
Tel: 63-2-634-9065  
Fax: 63-2-634-9069

**Singapore**  
Tel: 65-6334-8870  
Fax: 65-6334-8850

**Taiwan - Hsin Chu**  
Tel: 886-3-6578-300  
Fax: 886-3-6578-370

**Taiwan - Kaohsiung**  
Tel: 886-7-213-7830  
Fax: 886-7-330-9305

**Taiwan - Taipei**  
Tel: 886-2-2500-6610  
Fax: 886-2-2508-0102

**Thailand - Bangkok**  
Tel: 66-2-694-1351  
Fax: 66-2-694-1350

### EUROPE

**Austria - Wels**  
Tel: 43-7242-2244-39  
Fax: 43-7242-2244-393

**Denmark - Copenhagen**  
Tel: 45-4450-2828  
Fax: 45-4485-2829

**France - Paris**  
Tel: 33-1-69-53-63-20  
Fax: 33-1-69-30-90-79

**Germany - Munich**  
Tel: 49-89-627-144-0  
Fax: 49-89-627-144-44

**Italy - Milan**  
Tel: 39-0331-742611  
Fax: 39-0331-466781

**Netherlands - Drunen**  
Tel: 31-416-690399  
Fax: 31-416-690340

**Spain - Madrid**  
Tel: 34-91-708-08-90  
Fax: 34-91-708-08-91

**UK - Wokingham**  
Tel: 44-118-921-5869  
Fax: 44-118-921-5820

07/15/10



Компания «Океан Электроники» предлагает заключение долгосрочных отношений при поставках импортных электронных компонентов на взаимовыгодных условиях!

Наши преимущества:

- Поставка оригинальных импортных электронных компонентов напрямую с производств Америки, Европы и Азии, а так же с крупнейших складов мира;
- Широкая линейка поставок активных и пассивных импортных электронных компонентов (более 30 млн. наименований);
- Поставка сложных, дефицитных, либо снятых с производства позиций;
- Оперативные сроки поставки под заказ (от 5 рабочих дней);
- Экспресс доставка в любую точку России;
- Помощь Конструкторского Отдела и консультации квалифицированных инженеров;
- Техническая поддержка проекта, помощь в подборе аналогов, поставка прототипов;
- Поставка электронных компонентов под контролем ВП;
- Система менеджмента качества сертифицирована по Международному стандарту ISO 9001;
- При необходимости вся продукция военного и аэрокосмического назначения проходит испытания и сертификацию в лаборатории (по согласованию с заказчиком);
- Поставка специализированных компонентов военного и аэрокосмического уровня качества (Xilinx, Altera, Analog Devices, Intersil, Interpoint, Microsemi, Actel, Aeroflex, Peregrine, VPT, Syfer, Eurofarad, Texas Instruments, MS Kennedy, Miteq, Cobham, E2V, MA-COM, Hittite, Mini-Circuits, General Dynamics и др.);

Компания «Океан Электроники» является официальным дистрибьютором и эксклюзивным представителем в России одного из крупнейших производителей разъемов военного и аэрокосмического назначения «JONHON», а так же официальным дистрибьютором и эксклюзивным представителем в России производителя высокотехнологичных и надежных решений для передачи СВЧ сигналов «FORSTAR».



## JONHON

«JONHON» (основан в 1970 г.)

Разъемы специального, военного и аэрокосмического назначения:

(Применяются в военной, авиационной, аэрокосмической, морской, железнодорожной, горно- и нефтедобывающей отраслях промышленности)

«FORSTAR» (основан в 1998 г.)

ВЧ соединители, коаксиальные кабели, кабельные сборки и микроволновые компоненты:

(Применяются в телекоммуникациях гражданского и специального назначения, в средствах связи, РЛС, а так же военной, авиационной и аэрокосмической отраслях промышленности).



Телефон: 8 (812) 309-75-97 (многоканальный)

Факс: 8 (812) 320-03-32

Электронная почта: [ocean@oceanchips.ru](mailto:ocean@oceanchips.ru)

Web: <http://oceanchips.ru/>

Адрес: 198099, г. Санкт-Петербург, ул. Калинина, д. 2, корп. 4, лит. А