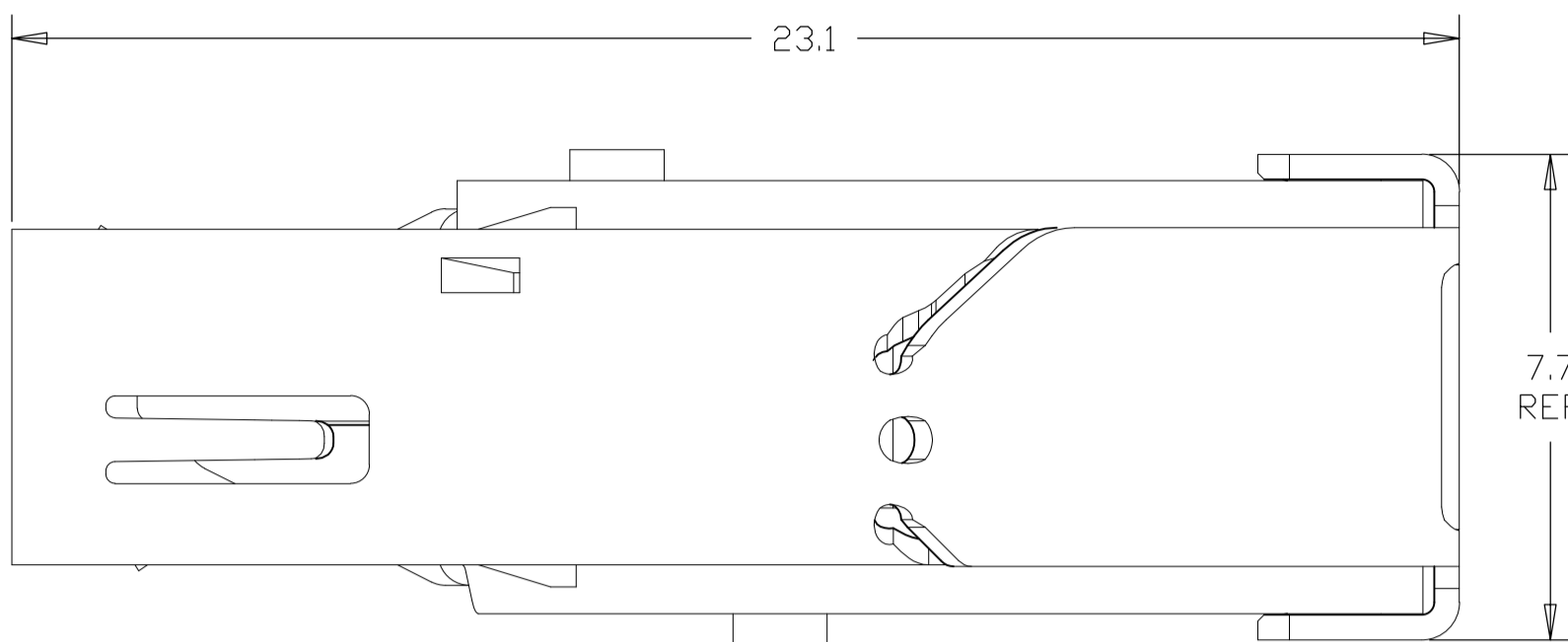
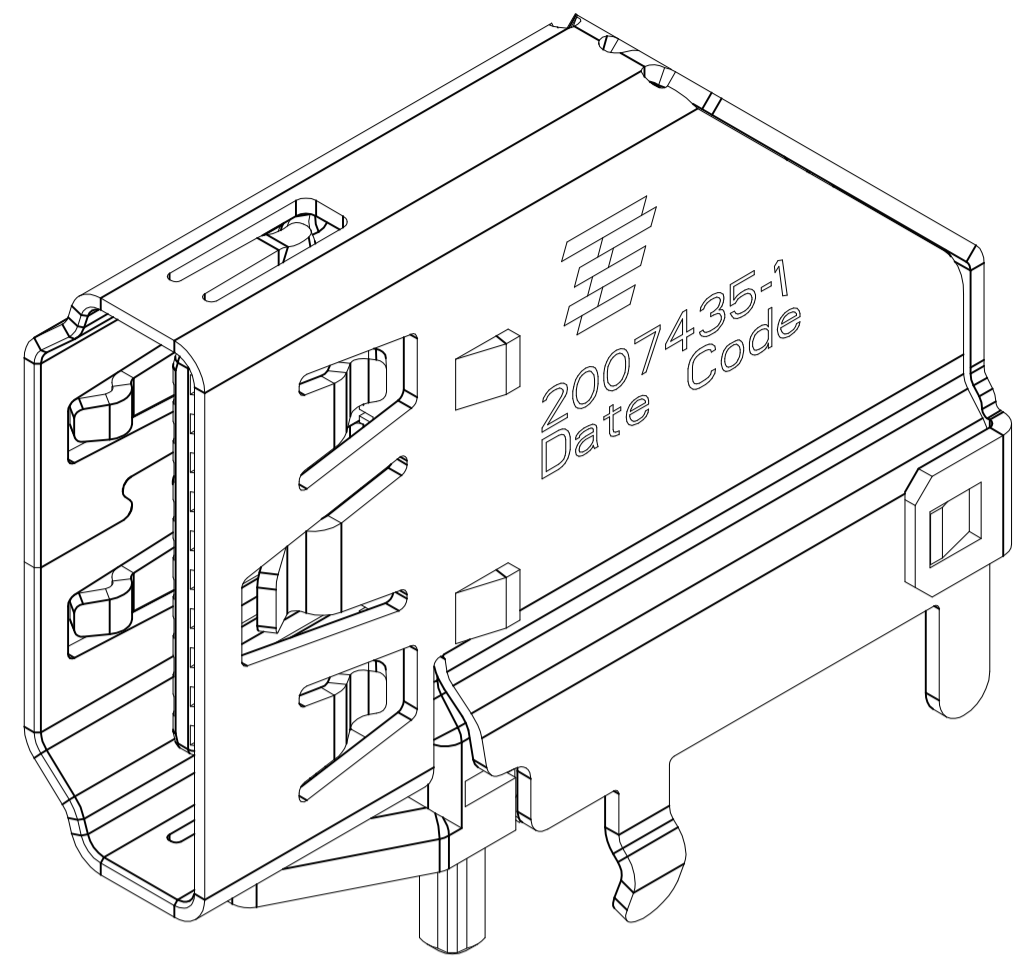
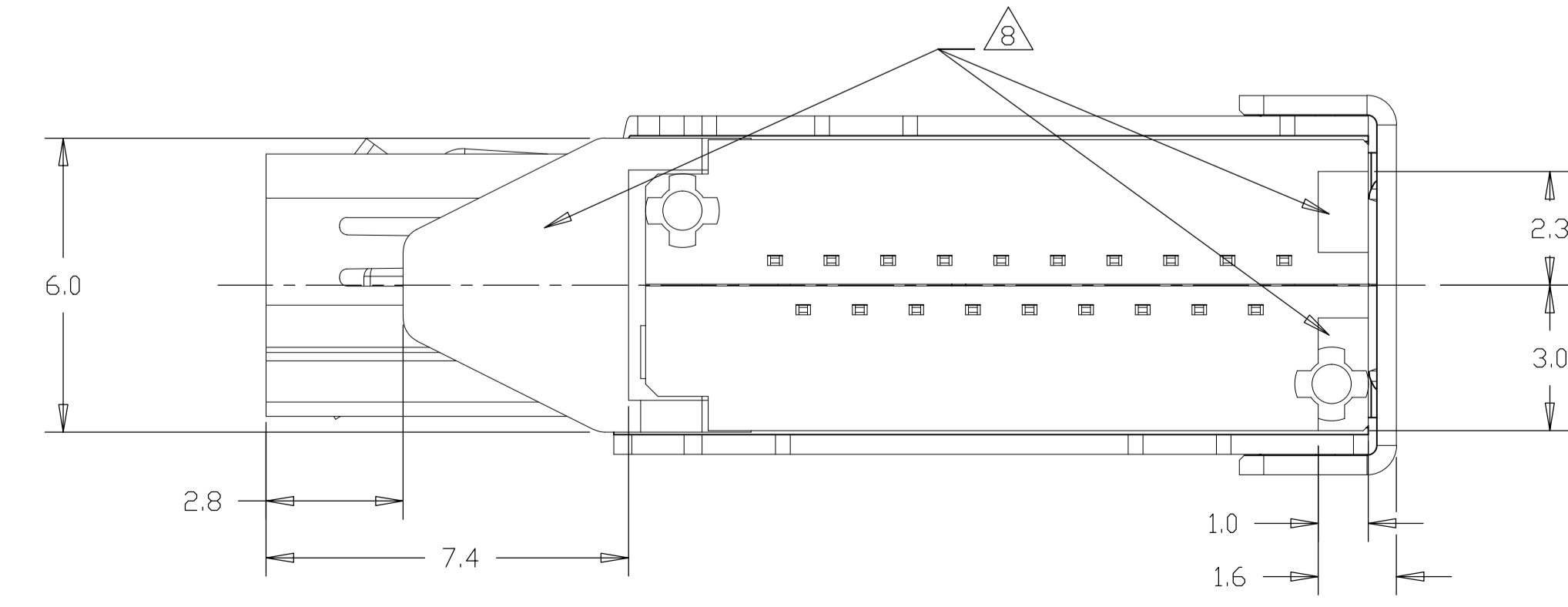
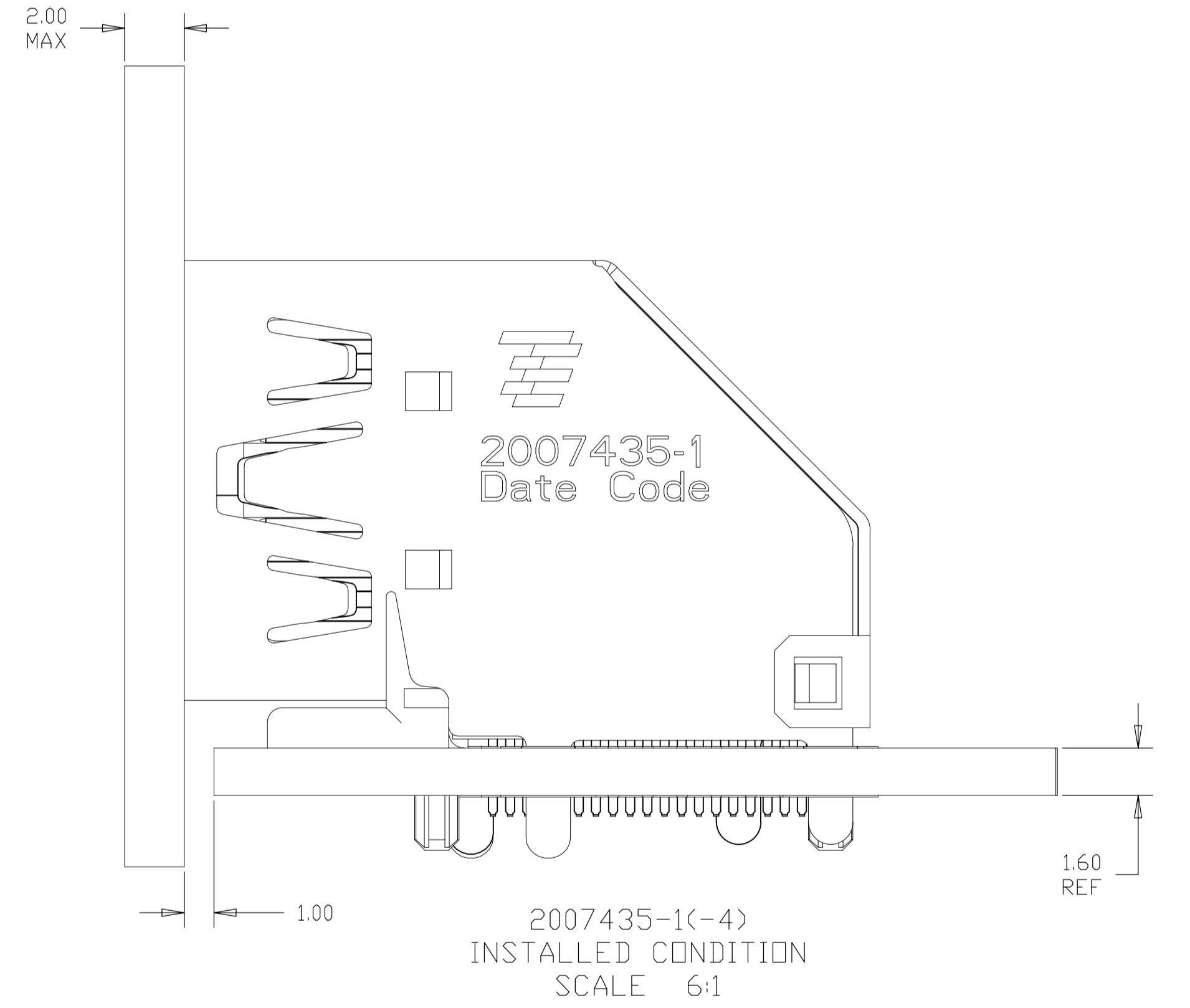
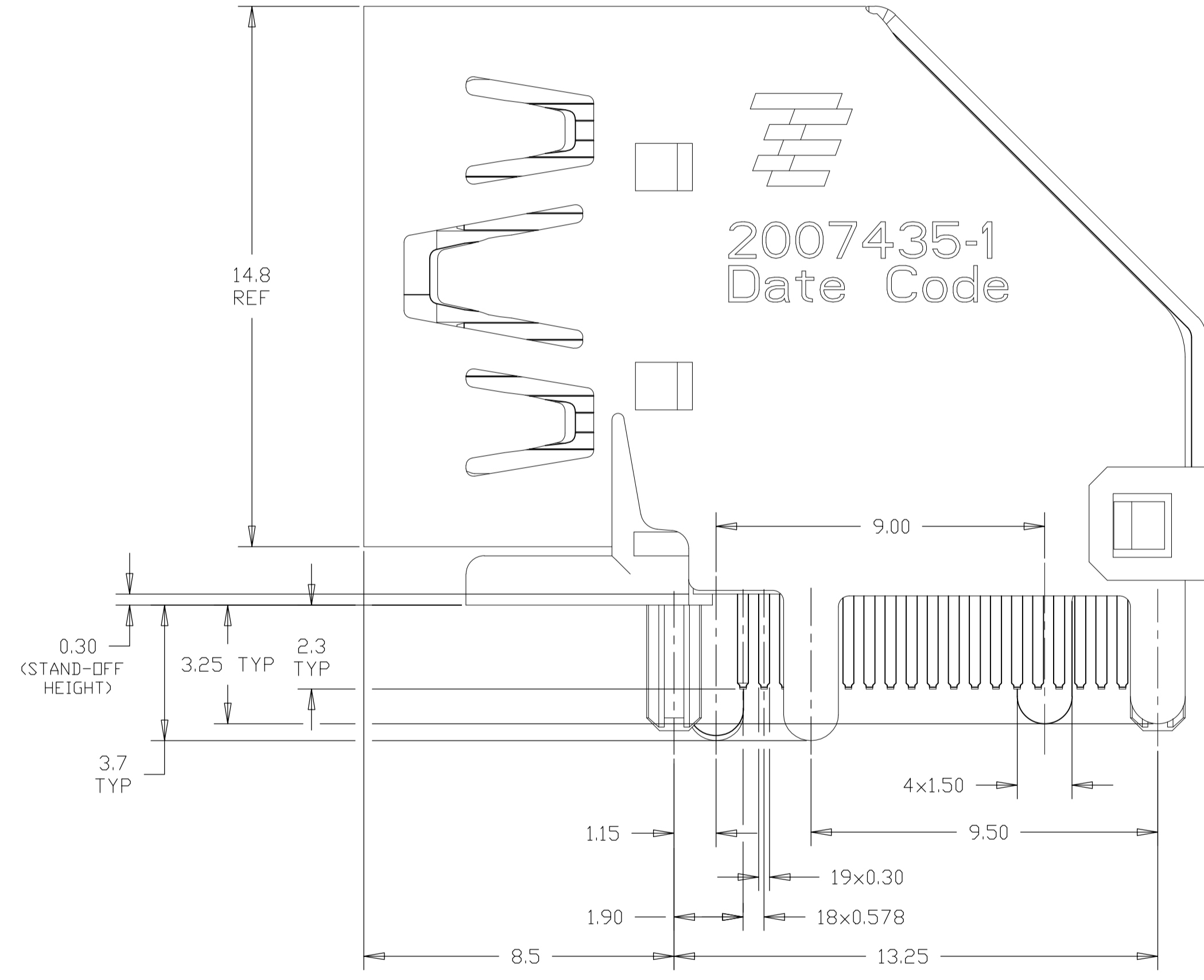
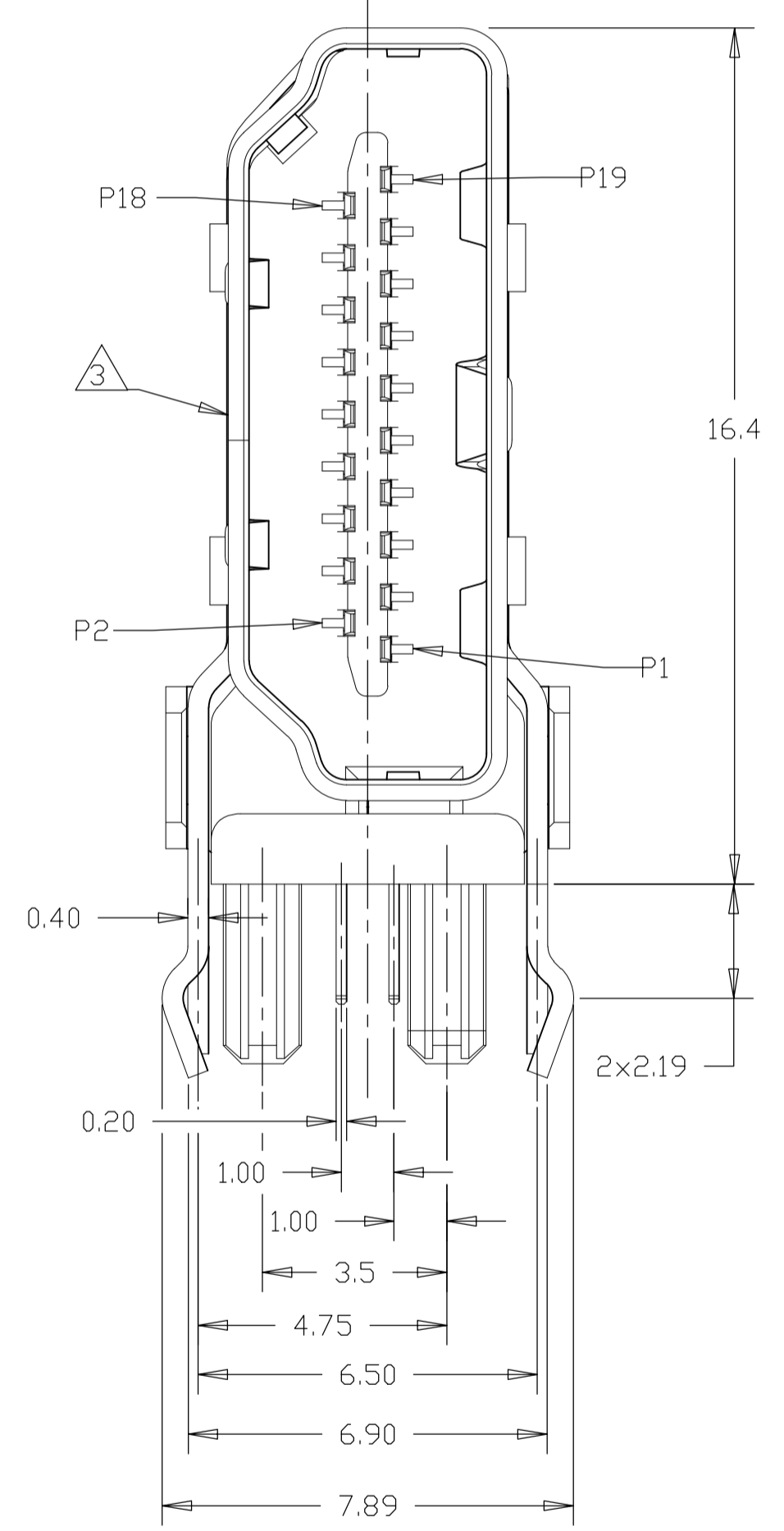


REVISONS		DATE	DMN	APVD
P	LTR	DESCRIPTION		
C		RELEASE PER ECR-10-024107	8/31/2010	FL SY
C1		RELEASE PER ECR-11-016951	7/20/2011	JJ SY
D2		RELEASED PER ECR-16-011711	4/10/2017	AX HW



- 1 MATERIALS:
HOUSING: HIGH TEMP THERMOPLASTIC, UL94V-0, BLACK, PBT.
CONTACTS: COPPER ALLOY.
SHIELD: STAINLESS STEEL.
- 2 FINISH:
CONTACTS:
MATING AREA: CONFORMS TO HDMI SPECIFICATION VERSION 1.3a TABLE 4-6 AND 4-7 (ELECTRICAL AND ENVIRONMENTAL PERFORMANCE), BASED ON EIA/ECA - 364-1000.01A (CONTROLLED ENVIRONMENT APPLICATIONS).
SOLDER TAILS: TIN OVER NICKEL.
- 3 INTERFACE DIMENSIONS PER HDMI SPECIFICATION VERSION 1.3a.
- 4 WAVE SOLDER COMPATIBLE PER 109-202. CONDITION B. NO CLEAN FLUX IS RECOMMENDED.
- 5 THIS DIMENSION HAS AN ADDITIONAL 1.0 CLEARANCE OVER HDMI V1.3a SPECIFICATION MAXIMUM CABLE TYPE A PLUG HEIGHT.
- 6 REMOVE CAP IS RECOMMENDED AFTER WAVE SOLDER.
- 7 MATERIALS:
HOUSING: HIGH TEMP THERMOPLASTIC, UL94V-0, BLACK, LCP.
CONTACTS: COPPER ALLOY.
SHIELD: STAINLESS STEEL.
- 8 STAND-OFF AREA.

2007435-1(-4)
SCALE 6:1



EMBOSS TAPE	WITHOUT POLYIMIDE TAPE	WITHOUT KINK AND WITH CAP	0.38 μm	△	2.00	2007435-7
EMBOSS TAPE	WITH POLYIMIDE TAPE	WITHOUT KINK AND WITHOUT CAP	0.38 μm	△	2.00	2007435-6
TRAY	WITHOUT POLYIMIDE TAPE	WITH KINK AND WITH CAP	0.38 μm	△	1.60	2007435-5
		WITH KINK AND WITHOUT CAP	0.76 μm	△	1.60	2007435-4
		WITHOUT KINK AND WITH CAP	0.38 μm	△	1.60	2007435-3
		WITHOUT KINK AND WITHOUT CAP	0.38 μm	△	2.40	2007435-2
PACKAGE		WITH KINK AND WITHOUT CAP	0.38 μm	△	1.60	2007435-1
REMARK		GOLD PLATING ON CONTACT AREA	MATERIAL	PCB THICKNESS	PART NO.	

THIS DRAWING IS A CONTROLLED DOCUMENT.

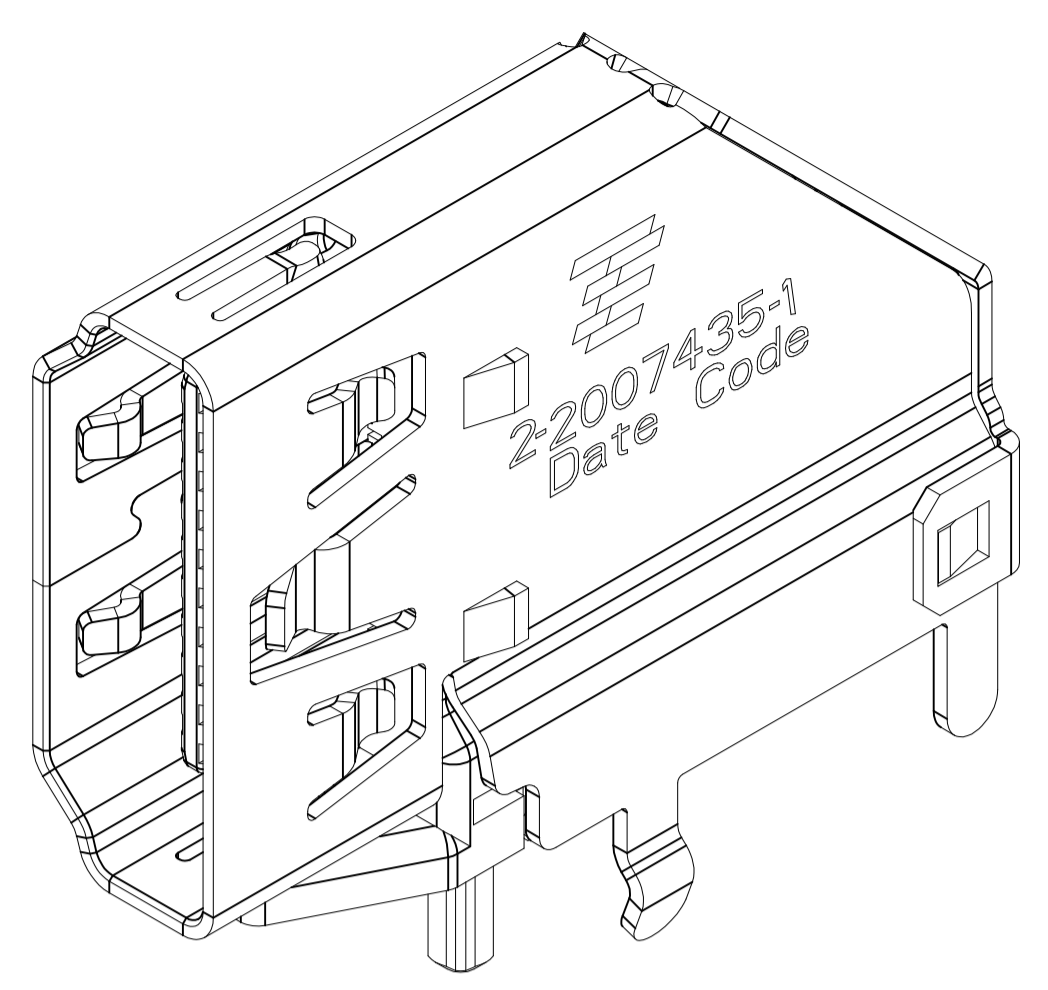
DMN: Francis Lee 31AUG2010
CHK: Martin Li 31AUG2010
APVD: Steven Yao 31AUG2010

NAME: STE Connectivity
PRODUCT SPEC: HDMI FLAG CONNECTOR ASSEMBLY
APPLICATION SPEC: 108-60079

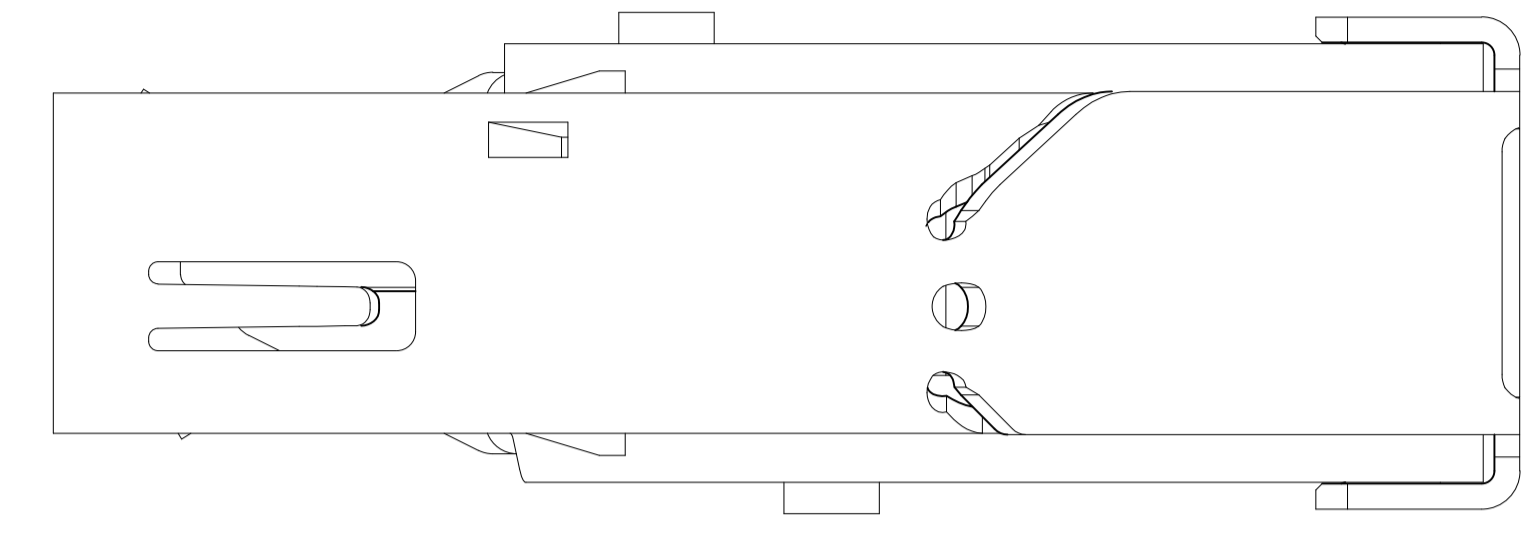
SIZE: A1
CAGE CODE: 00779
DRAWING NO: 2007435
RESTRICTED TO: CUSTOMER DRAWING

SCALE: 8:1 SHEET 1 OF 10 REV D2

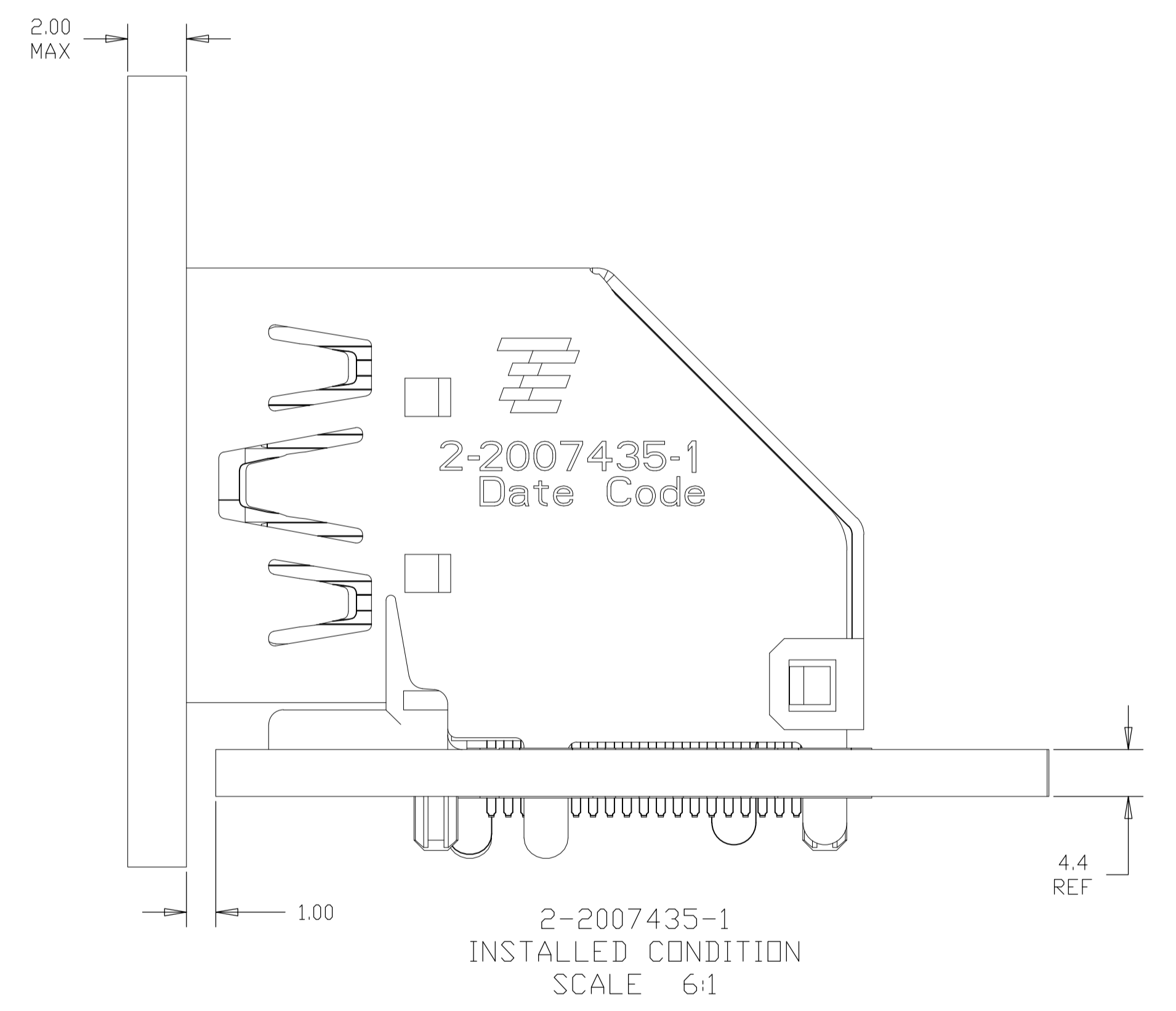
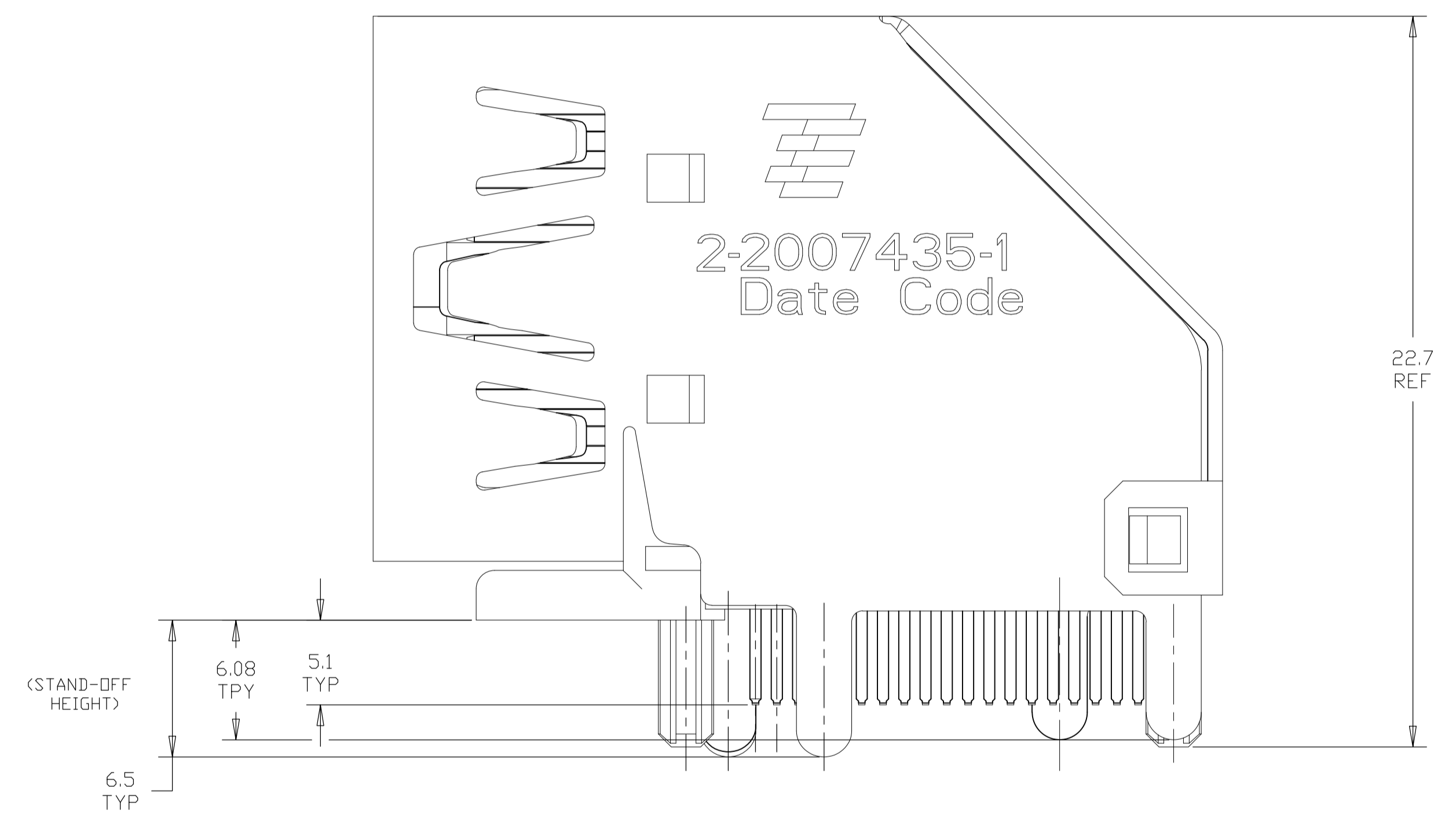
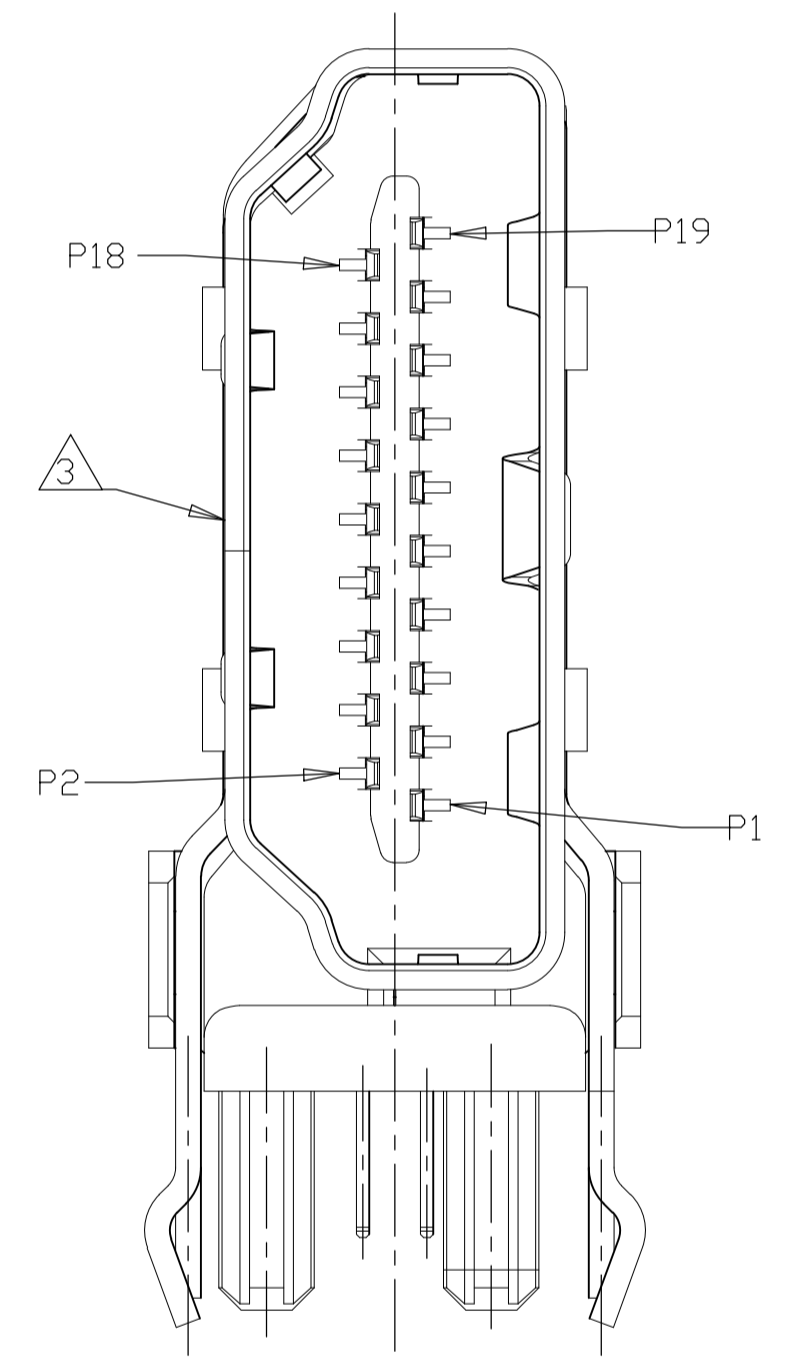
REVISONS		DATE	OWN	APPD
LOC	DIST	DESCRIPTION		
-	-	SEE SHEET 1	-	-



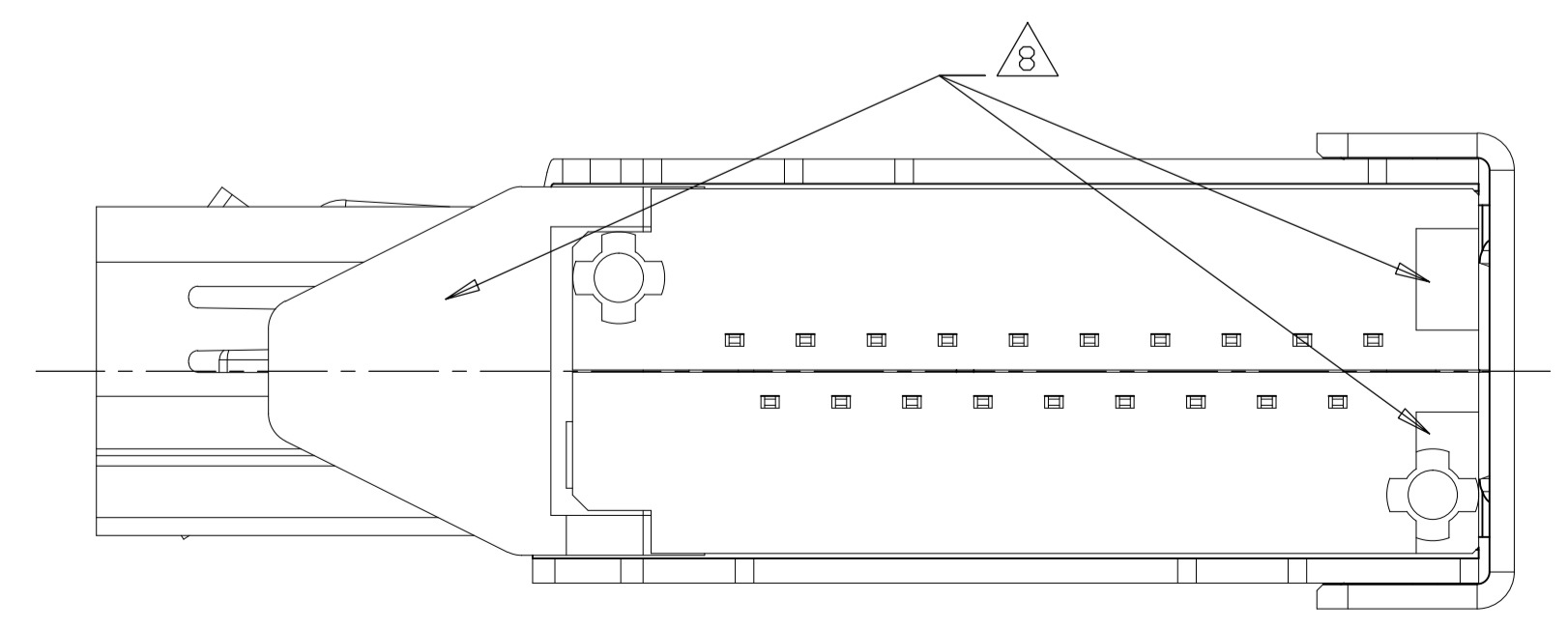
2-2007435-1 WITHOUT BOARD LOCK,
UNMARKED DIMENSIONS SAME AS 2007435-1
SCALE 6:1



- 1 MATERIALS:
HOUSING: HIGH TEMP THERMOPLASTIC, UL94V-0, BLACK, PBT.
CONTACTS: COPPER ALLOY.
SHIELD: STAINLESS STEEL.
- 2 FINISH:
CONTACTS:
MATING AREA: CONFORMS TO HDMI SPECIFICATION VERSION 1.3a
TABLE 4-6 AND 4-7 (ELECTRICAL AND ENVIRONMENTAL PERFORMANCE), BASED ON EIA/ECA - 364-1000.01A (CONTROLLED ENVIRONMENT APPLICATIONS).
SOLDER TAILS: TIN OVER NICKEL.
- 3 INTERFACE DIMENSIONS PER HDMI SPECIFICATION VERSION 1.3a.
- 4 WAVE SOLDER COMPATIBLE PER 109-202, CONDITION B.
NO CLEAN FLUX IS RECOMMENDED.
- 5 THIS DIMENSION HAS AN ADDITIONAL 1.0 CLEARANCE OVER HDMI V1.3a SPECIFICATION MAXIMUM CABLE TYPE A PLUG HEIGHT.
- 6 REMOVE CAP IS RECOMMENDED AFTER WAVE SOLDER.
- 7 MATERIALS:
HOUSING: HIGH TEMP THERMOPLASTIC, UL94V-0, BLACK, LCP.
CONTACTS: COPPER ALLOY.
SHIELD: STAINLESS STEEL.
- 8 STAND-OFF AREA.

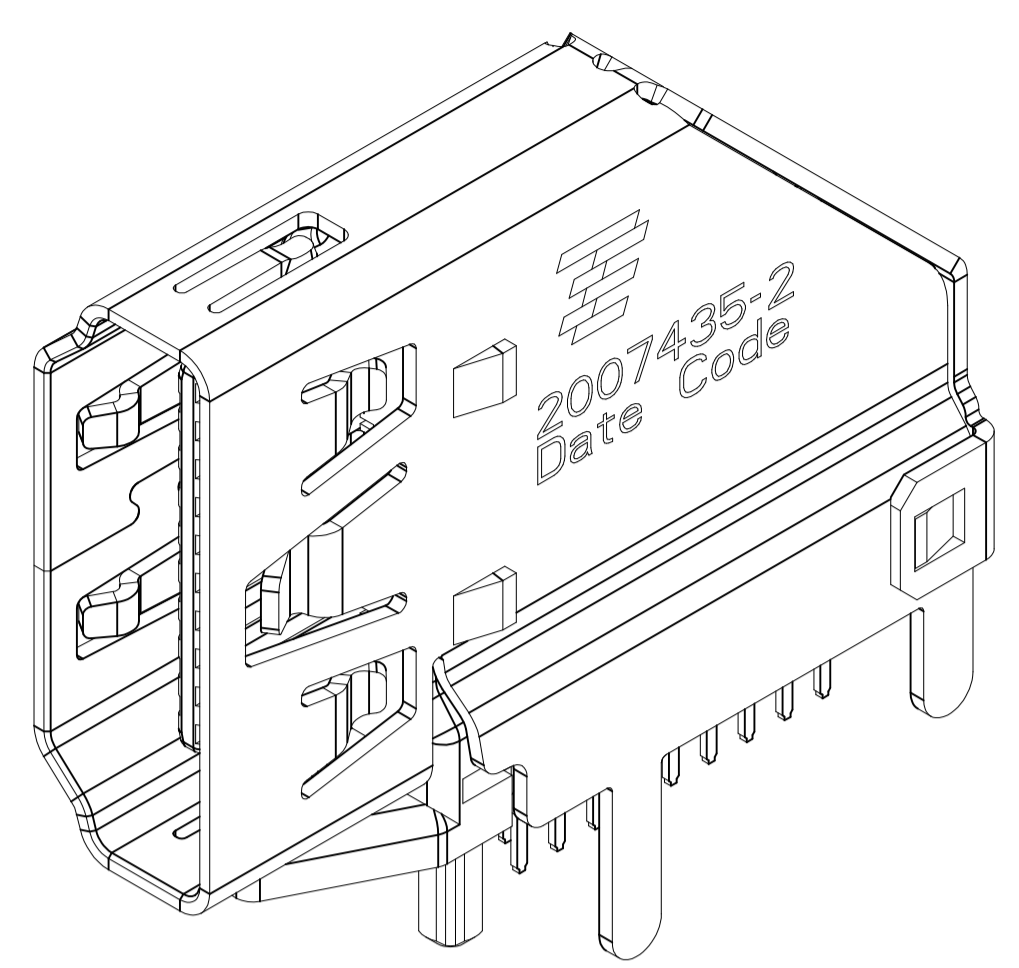


DESIGN APPROVED THIS PRINT IS
PRELIMINARY
TO FIRST PIECE APPROVAL
CONTACT PRODUCT ENGINEERING
BEFORE USING THIS PRINT

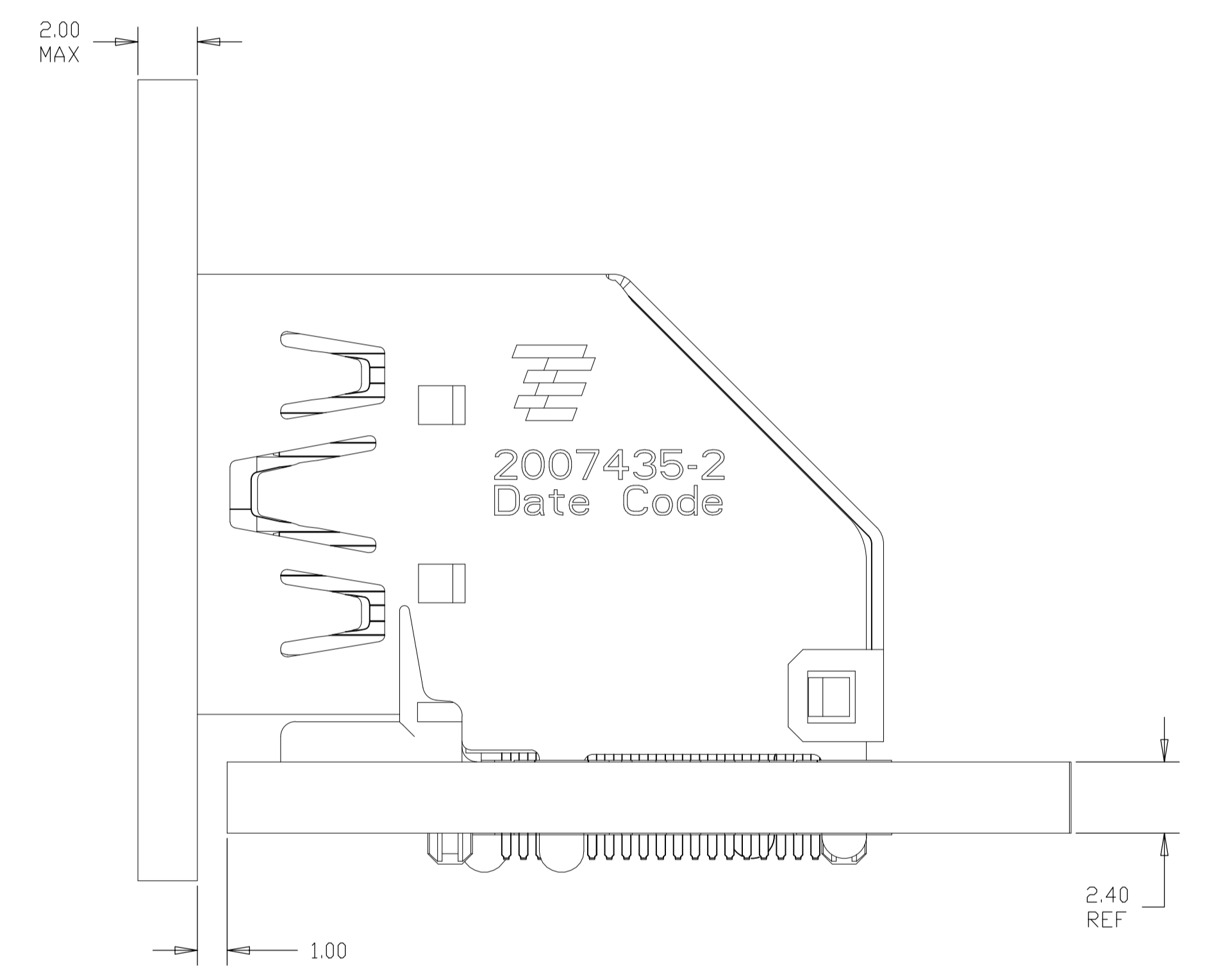
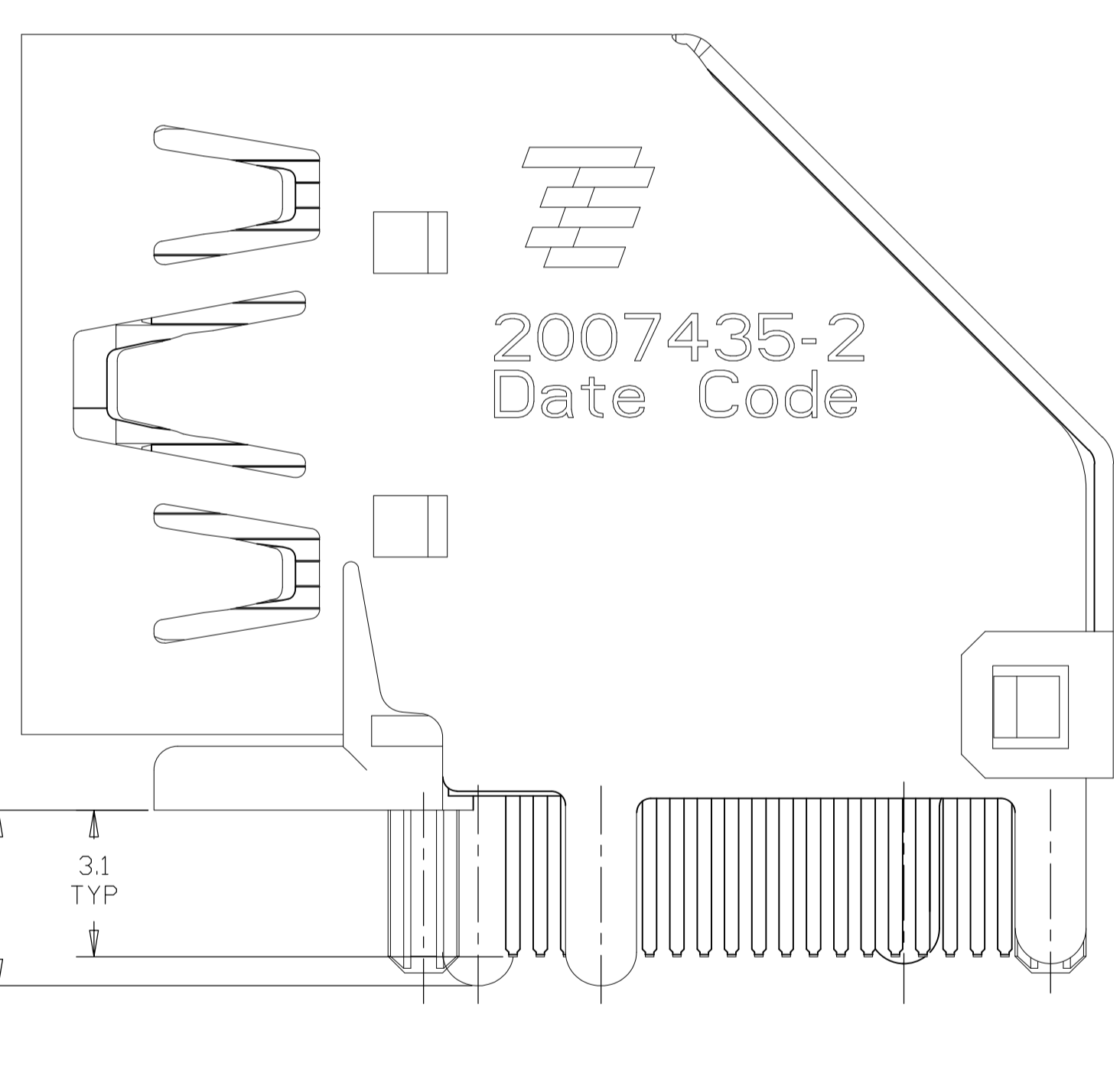
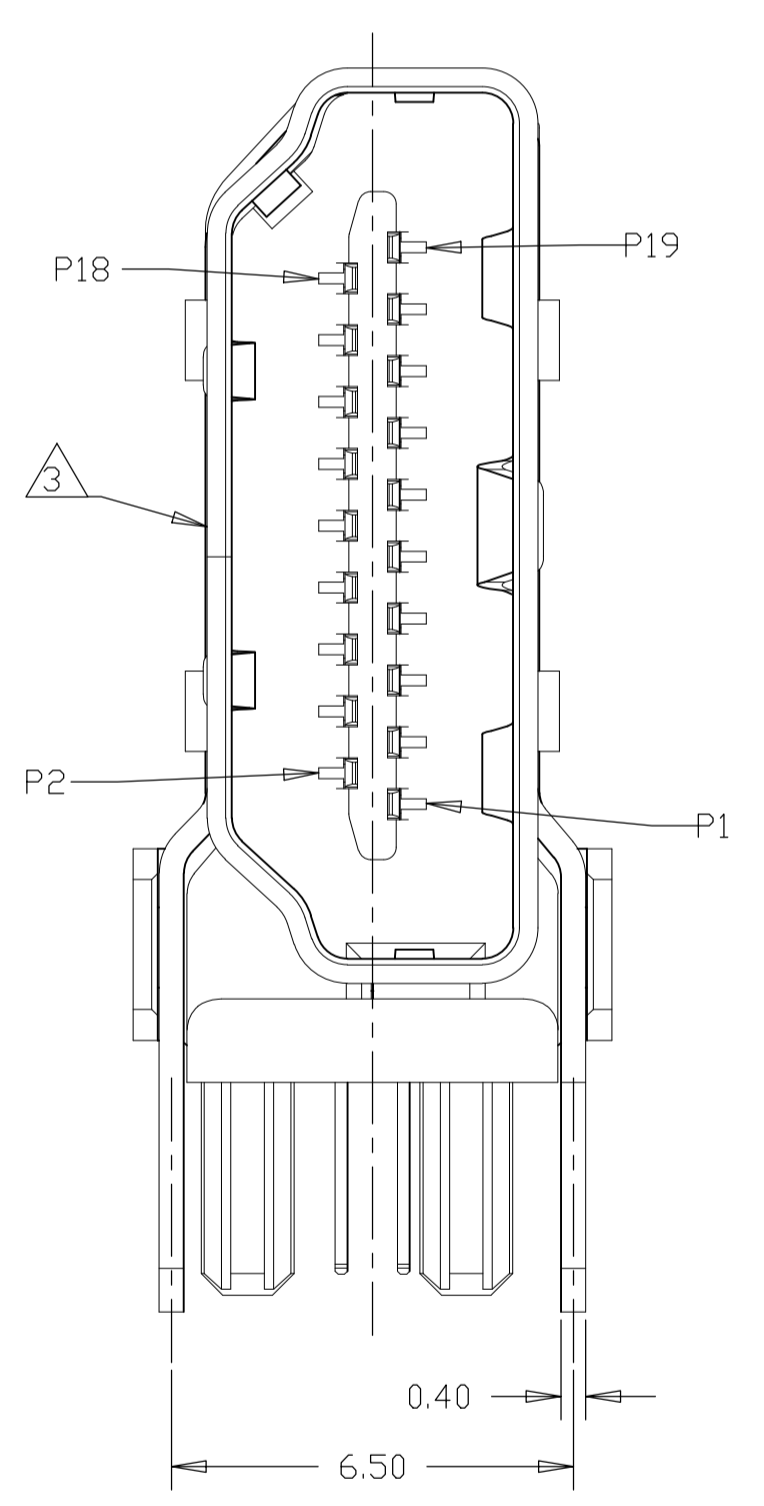
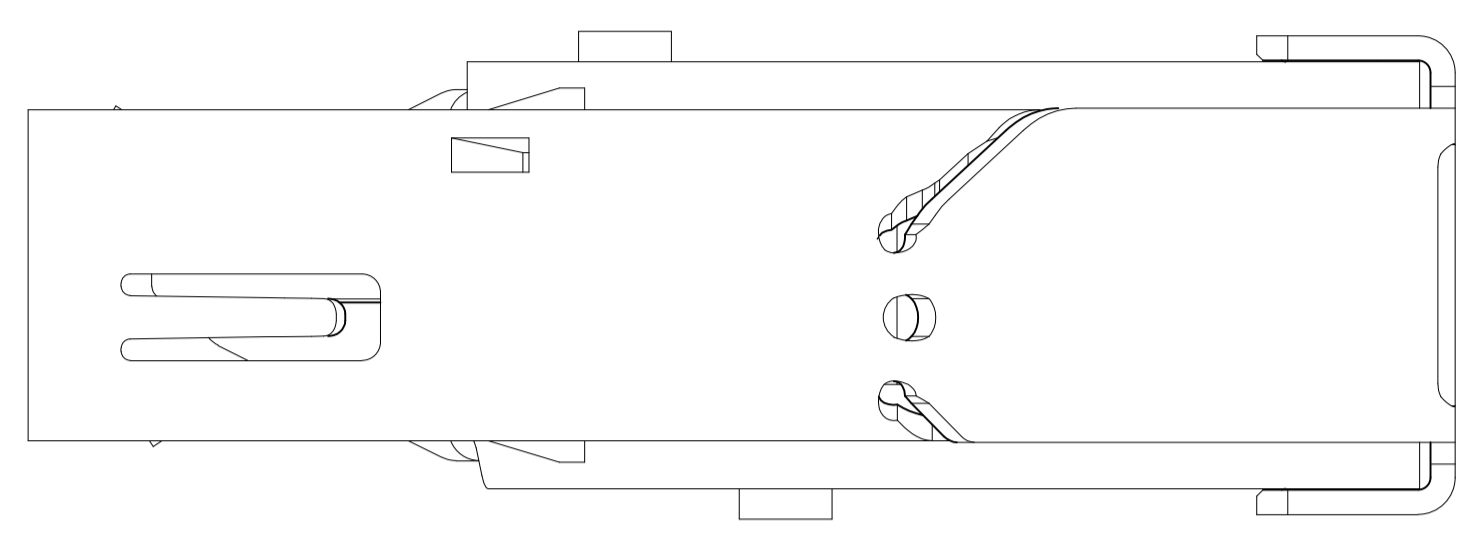


TRAY	WITHOUT POLYIMIDE TAPE	WITH KINK AND WITHOUT CAP	0.38 μ m	4.40	2-2007435-1
PACKAGE	REMARK		GOLD PLATING ON CONTACT AREA	MATERIAL	PCB THICKNESS
THIS DRAWING IS A CONTROLLED DOCUMENT.			DWN Francis Lee 31AUG2010	STE TE Connectivity	
DIMENSIONS: mm			CHK Martin Li 31AUG2010	NAME	
TOLERANCES UNLESS OTHERWISE SPECIFIED:			APPD Steven Yao 31AUG2010	PRODUCT SPEC	
0 PLC \pm -			108-60079		
1 PLC \pm 0.3			APPLICATION SPEC		
2 PLC \pm 0.25			SIZE CAGE CODE DRAWING NO		
3 PLC \pm 0.100			A1 00779 2007435		
4 PLC \pm 0.1000			RESTRICTED TO		
ANGLES \pm 5			WEIGHT		
MATERIAL SEE TABLE			FINISH		
			CUSTOMER DRAWING		
			SCALE 8:1 SHEET 2 OF 10 REV D2		

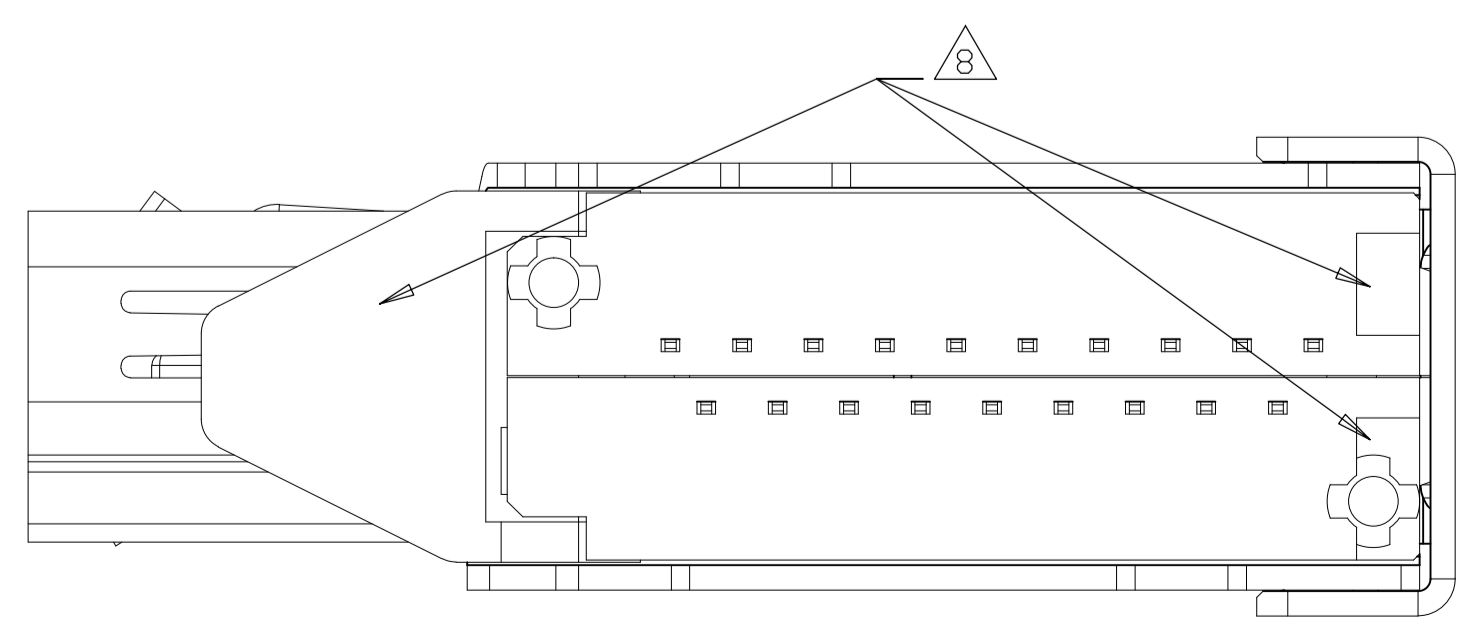
LOC		DIST		REVISIONS			
P	LTR	DESCRIPTION	DATE	DN	APVD		
-	-	SEE SHEET 1	-	-	-		



2007435-2 WITHOUT BOARD LOCK,
 UNMARKED DIMENSIONS SAME AS 2007435-1
 SCALE 6:1

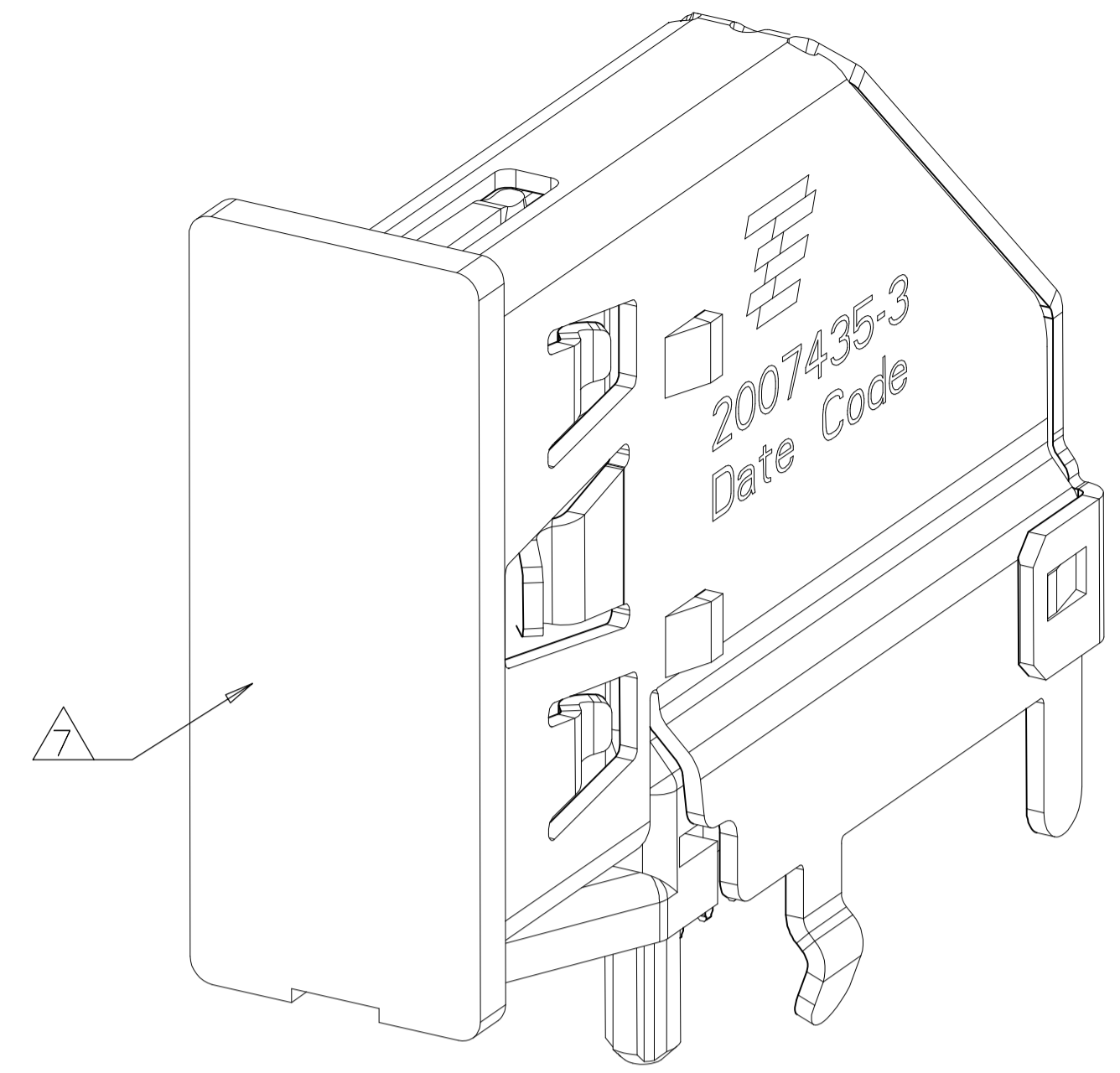


2007435-2
 INSTALLED CONDITION
 SCALE 6:1

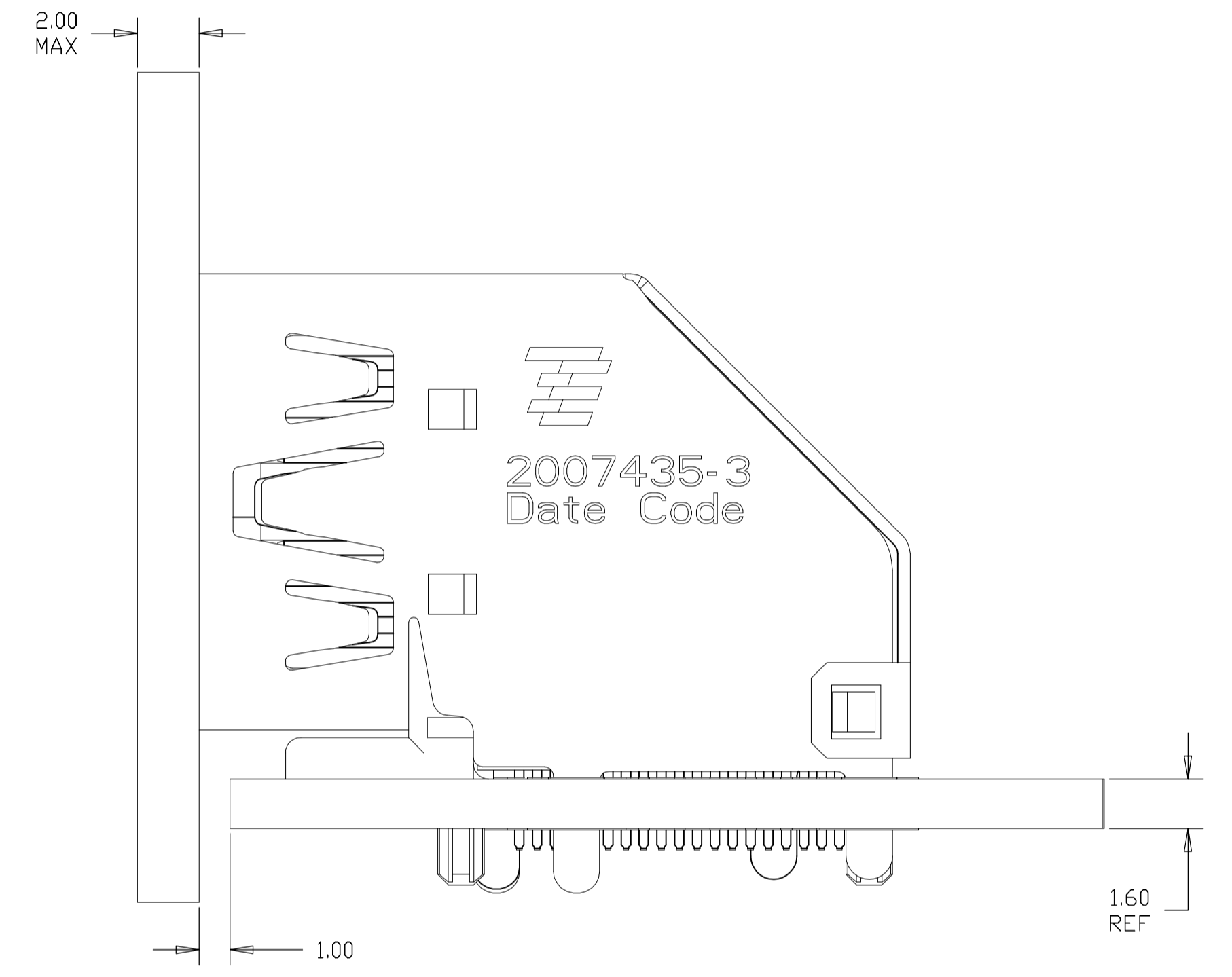
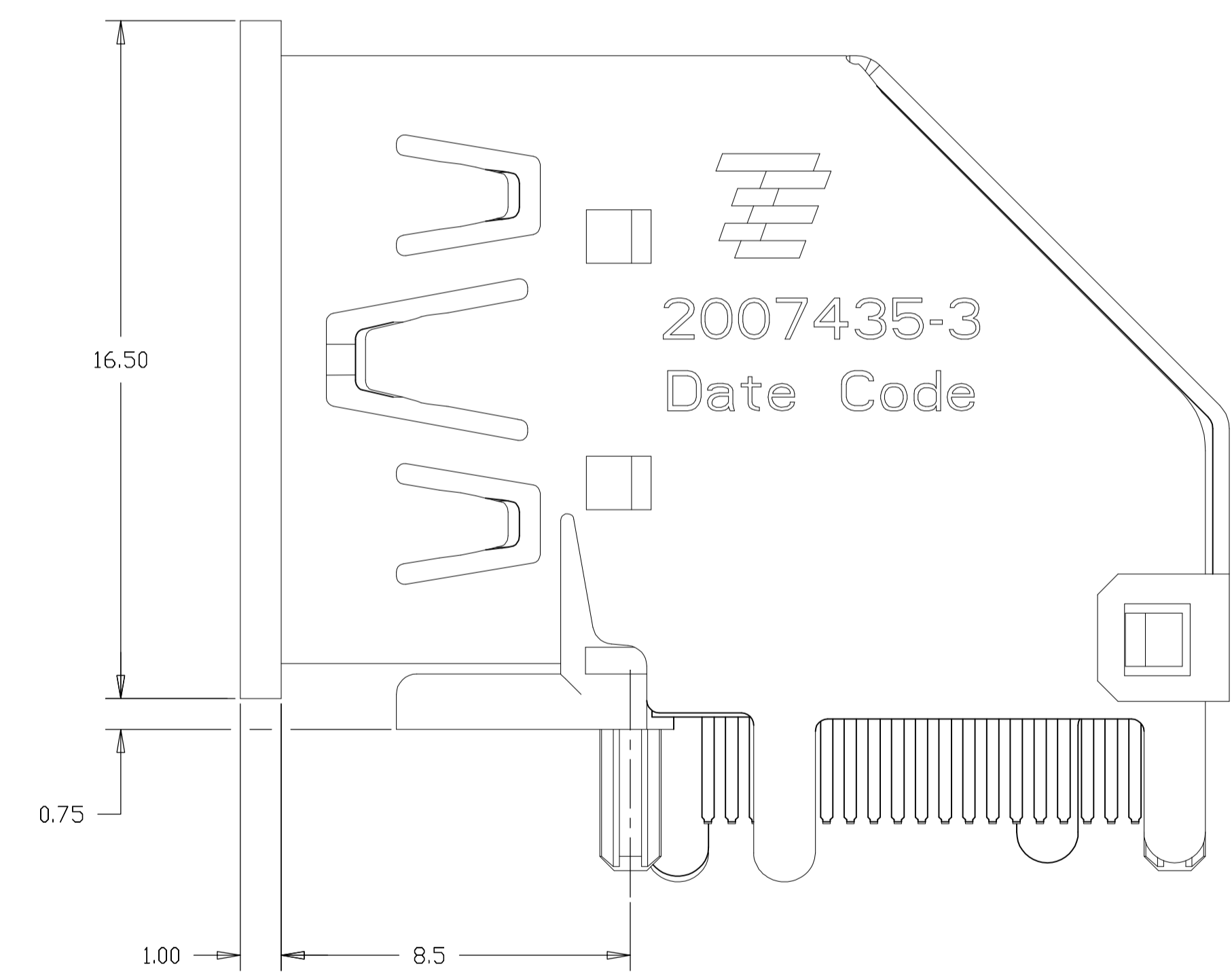
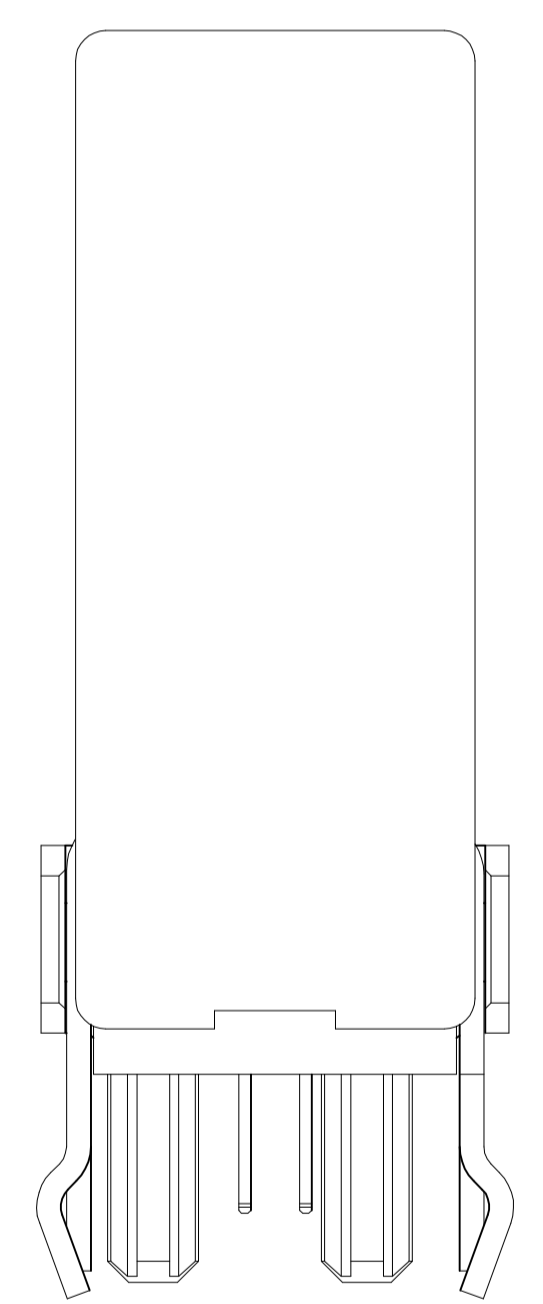
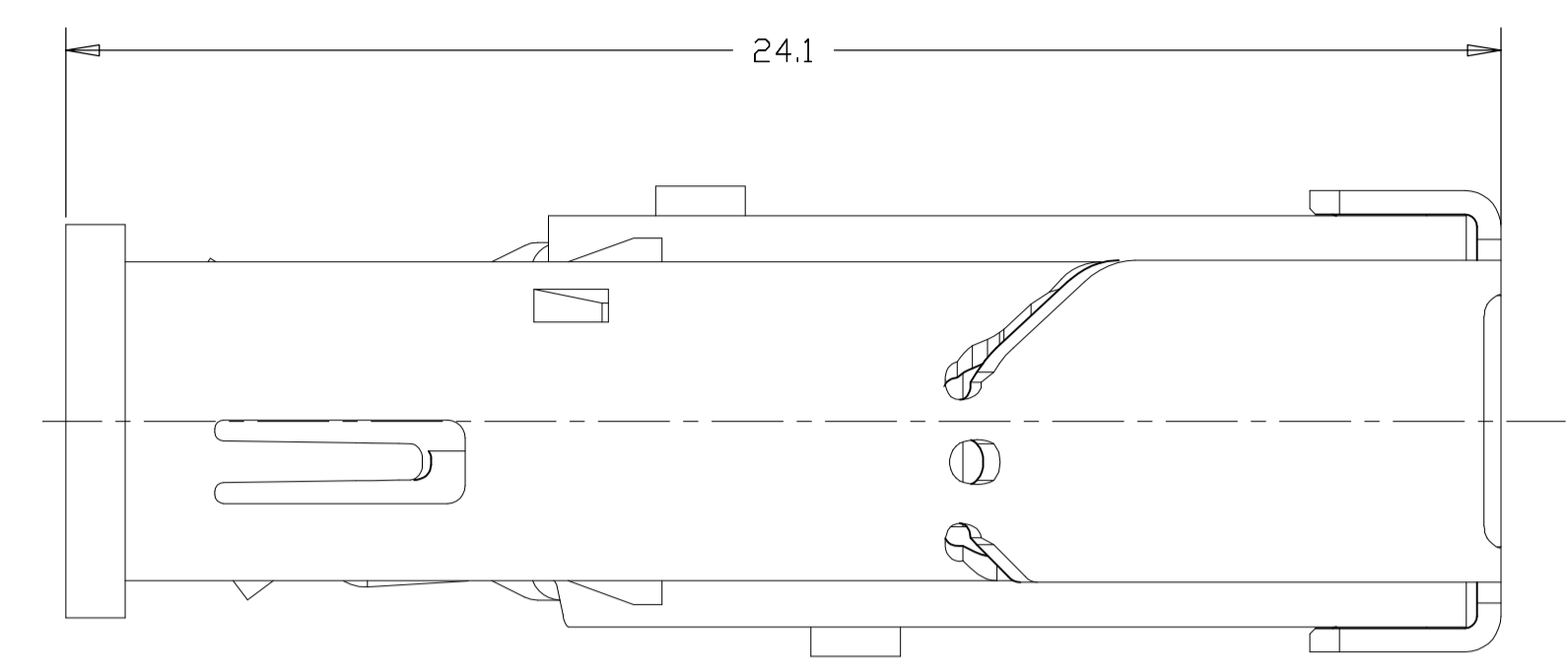


THIS DRAWING IS A CONTROLLED DOCUMENT.		DIN		STC TE Connectivity	
DIMENSIONS: mm		TOLERANCES UNLESS OTHERWISE SPECIFIED:		NAME	
<ul style="list-style-type: none"> 0. PLC ± - 1. PLC ± 0.3 2. PLC ± 0.25 3. PLC ± 0.100 4. PLC ± 0.1000 ANGLES ± - 		<ul style="list-style-type: none"> APVD PRODUCT SPEC APPLICATION SPEC 		HDMI FLAG CONNECTOR ASSEMBLY	
MATERIAL SEE TABLE		FINISH		SIZE CAGE CODE DRAWING NO	
				A1 00779 C=2007435	
		CUSTOMER DRAWING		RESTRICTED TO	
		SCALE 8:1		SHEET 3 OF 10 REV D2	

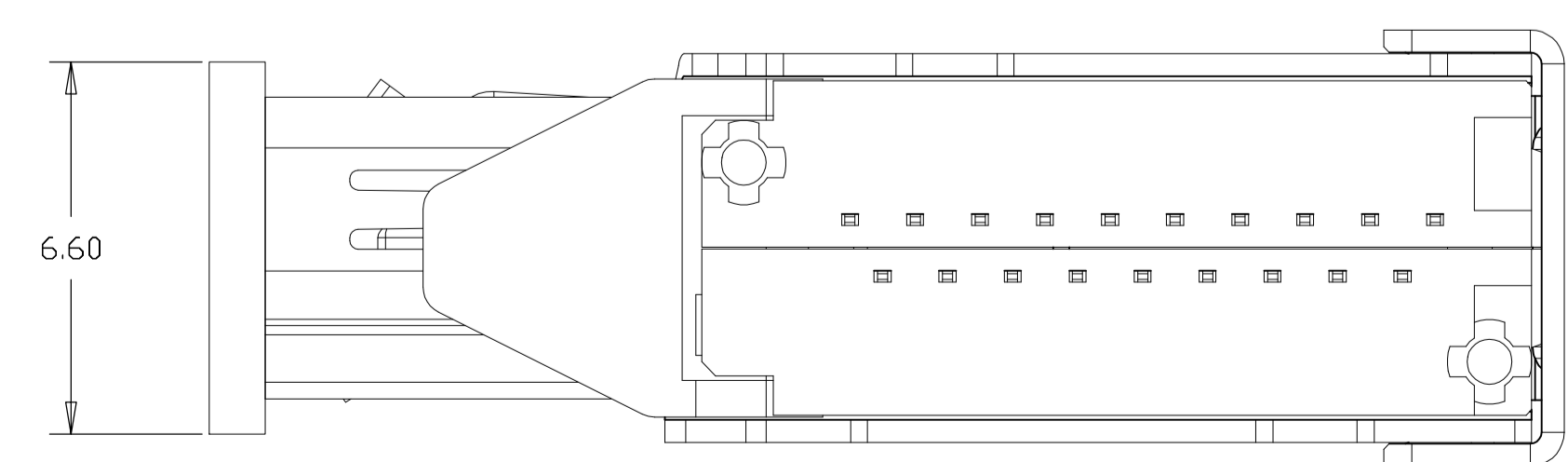
LOC		DIST		REVISIONS			
P	LTR	DESCRIPTION	DATE	DN	APVD		
-	-	SEE SHEET 1	-	-	-	-	-



2007435-3(-5) WITH CAP, UNMARKED
 DIMENSIONS SAME AS 2007435-1
 SCALE 6:1

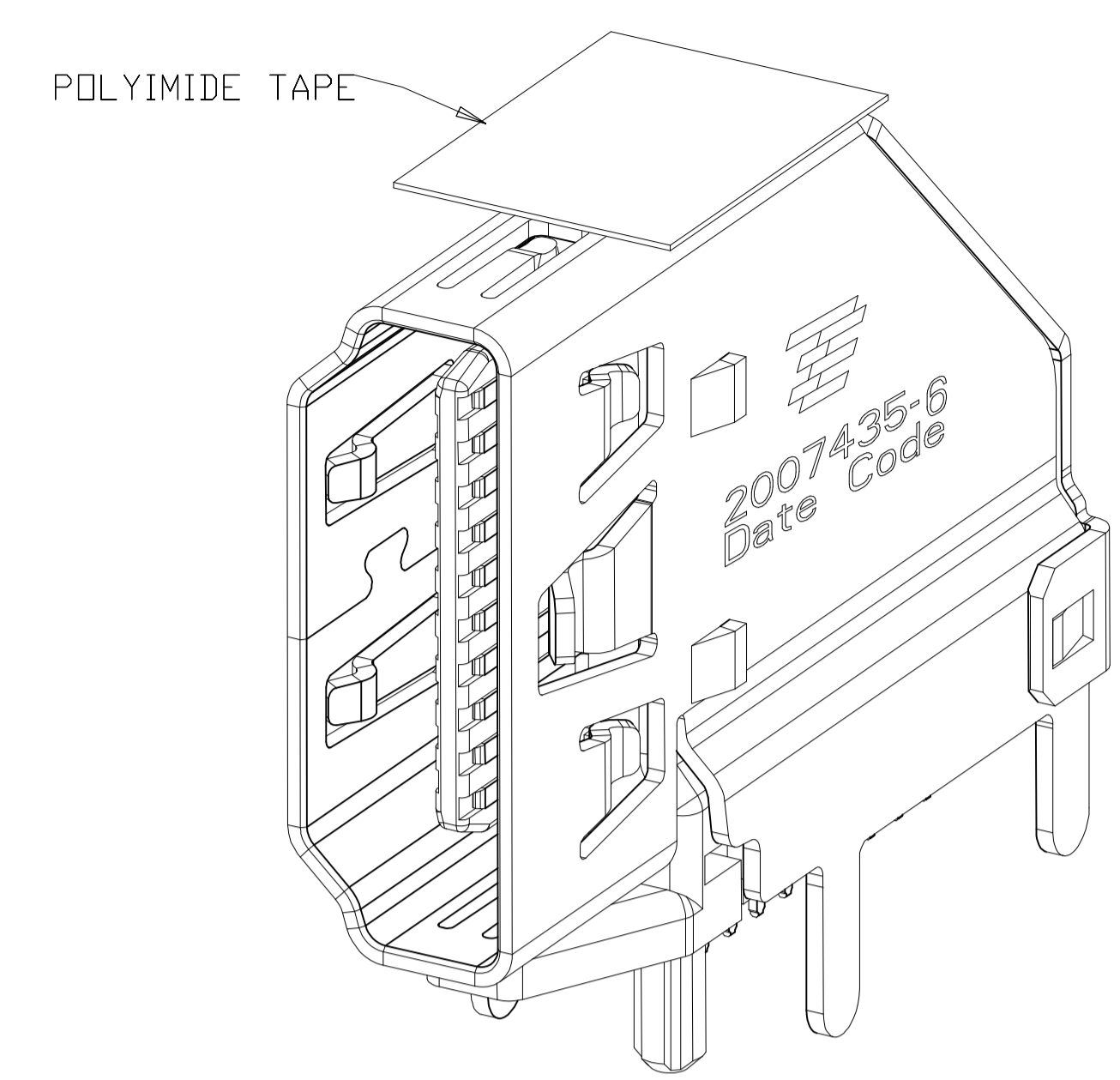
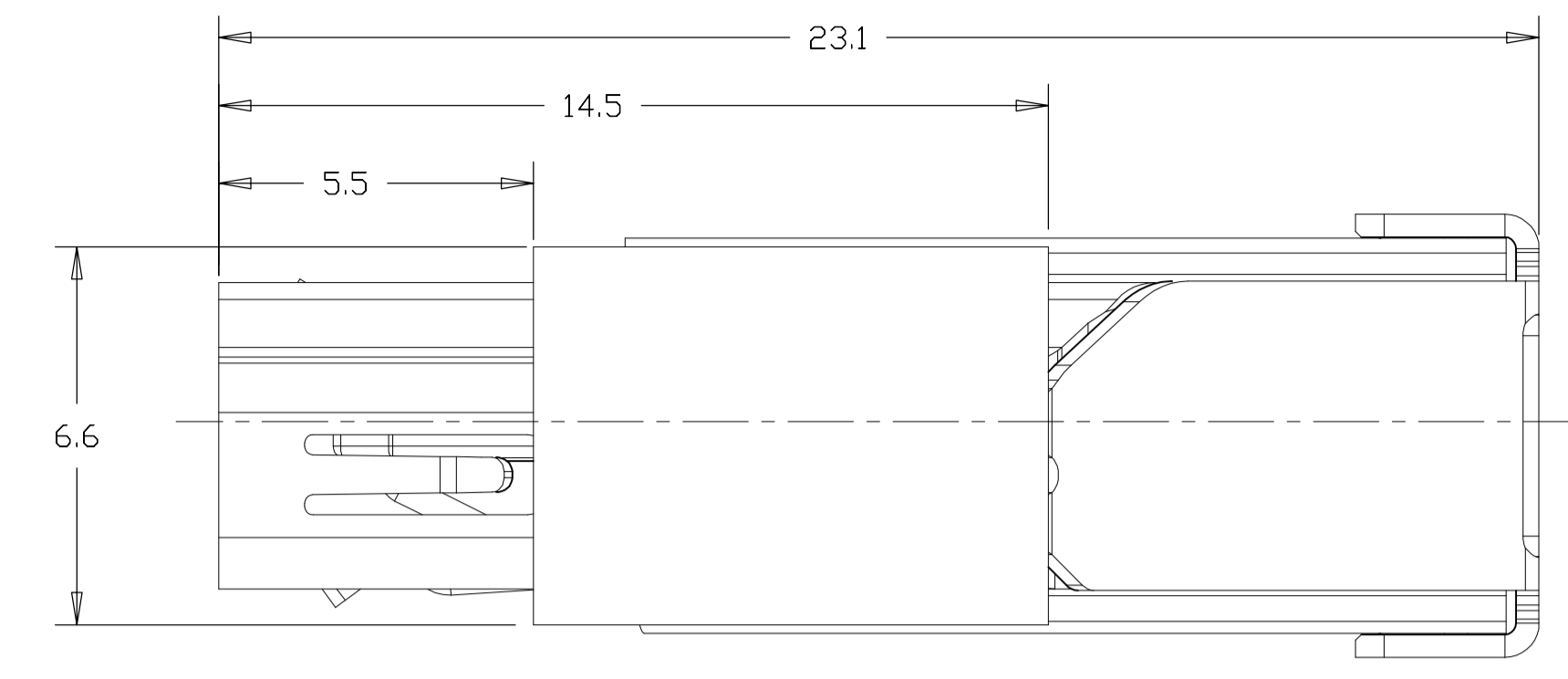


2007435-3(-5)
 INSTALLED CONDITION
 (ONLY FOR AFTER REMOVE CAP)
 SCALE 6:1

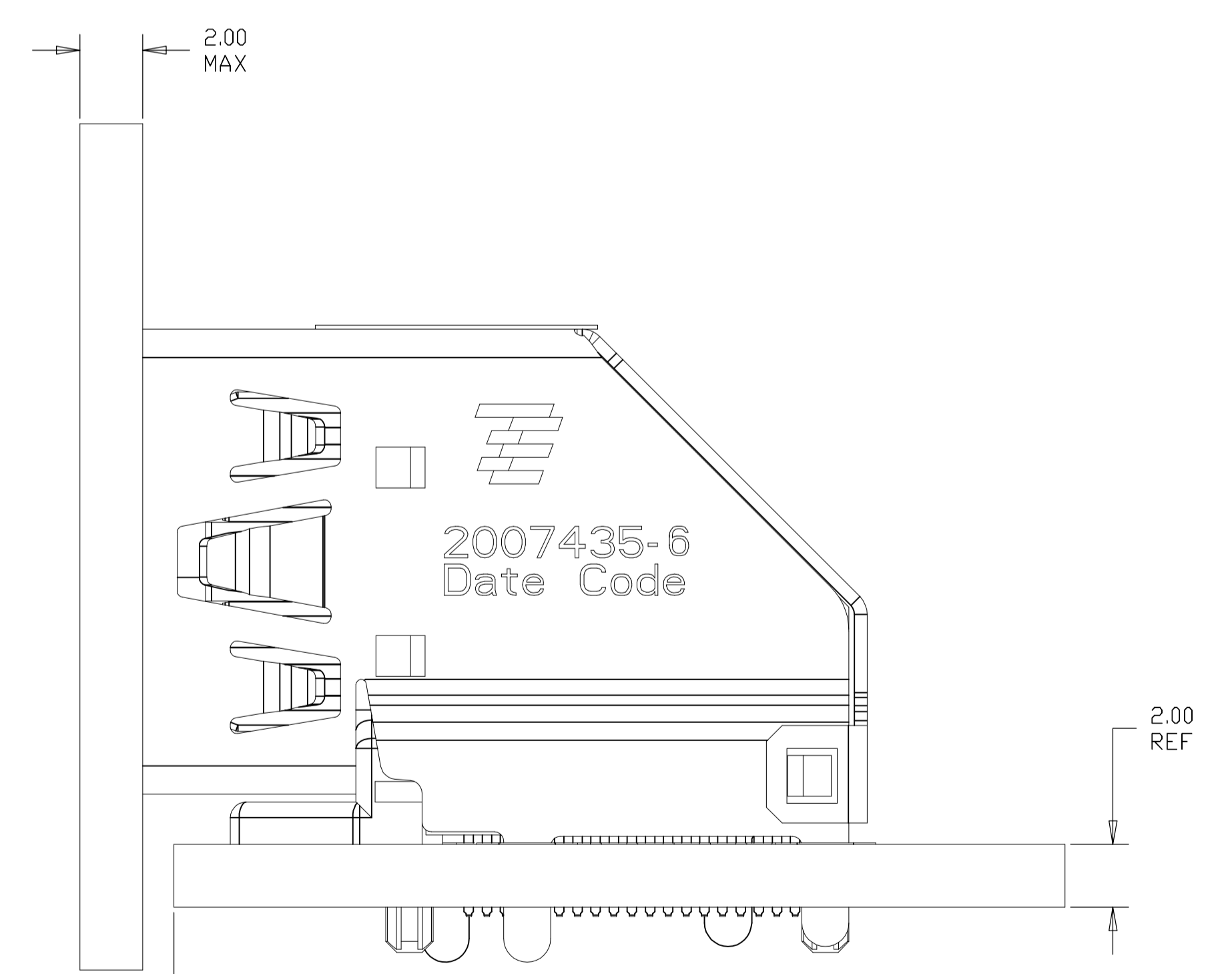
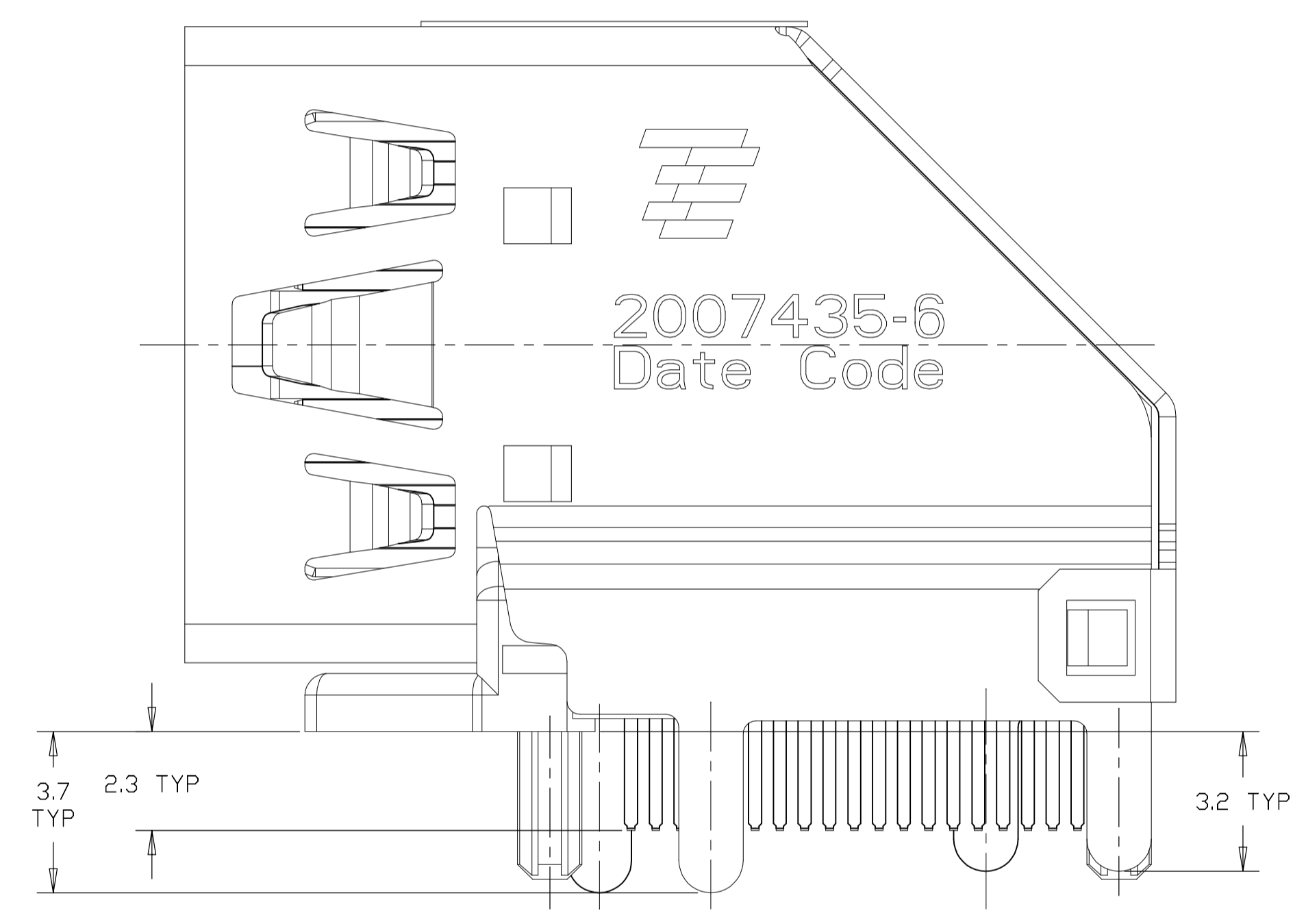
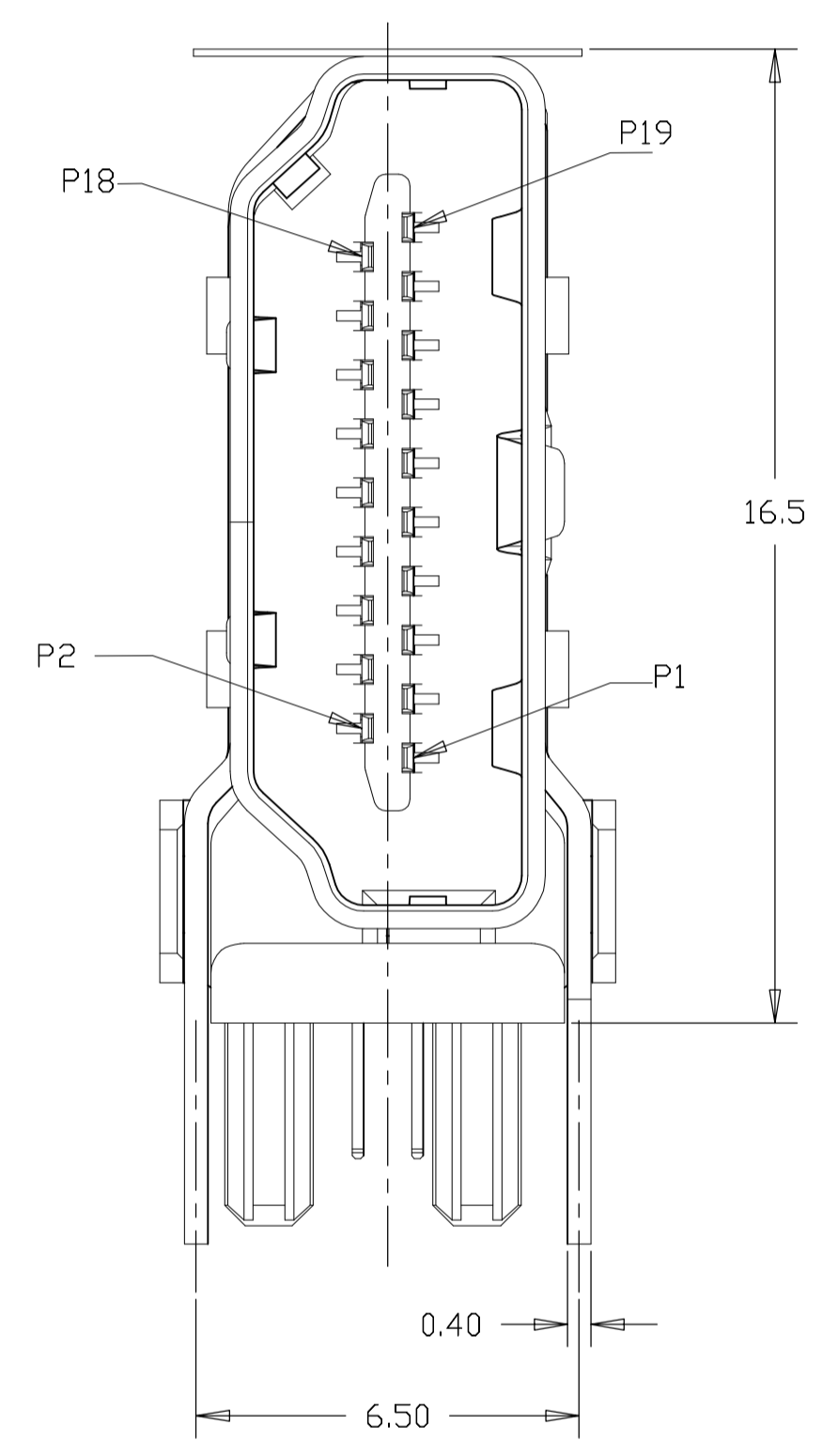


THIS DRAWING IS A CONTROLLED DOCUMENT.		DIN		TE Connectivity	
DIMENSIONS: mm		TOLERANCES UNLESS OTHERWISE SPECIFIED:			
		0. PLC ± 0.3	APVD		NAME
		1. PLC ± 0.25	PRODUCT SPEC		HDMI FLAG CONNECTOR ASSEMBLY
		2. PLC ± 0.10	APPLICATION SPEC		RESTRICTED TO
		3. PLC ± 0.10	MATERIAL		SIZE CAGE CODE DRAWING NO
		4. PLC ± 0.10	FINISH		A1 00779 C=2007435
		ANGLES ± -	WEIGHT		SCALE 8:1 SHEET 4 OF 10 REV D2
MATERIAL SEE TABLE		FINISH		CUSTOMER DRAWING	

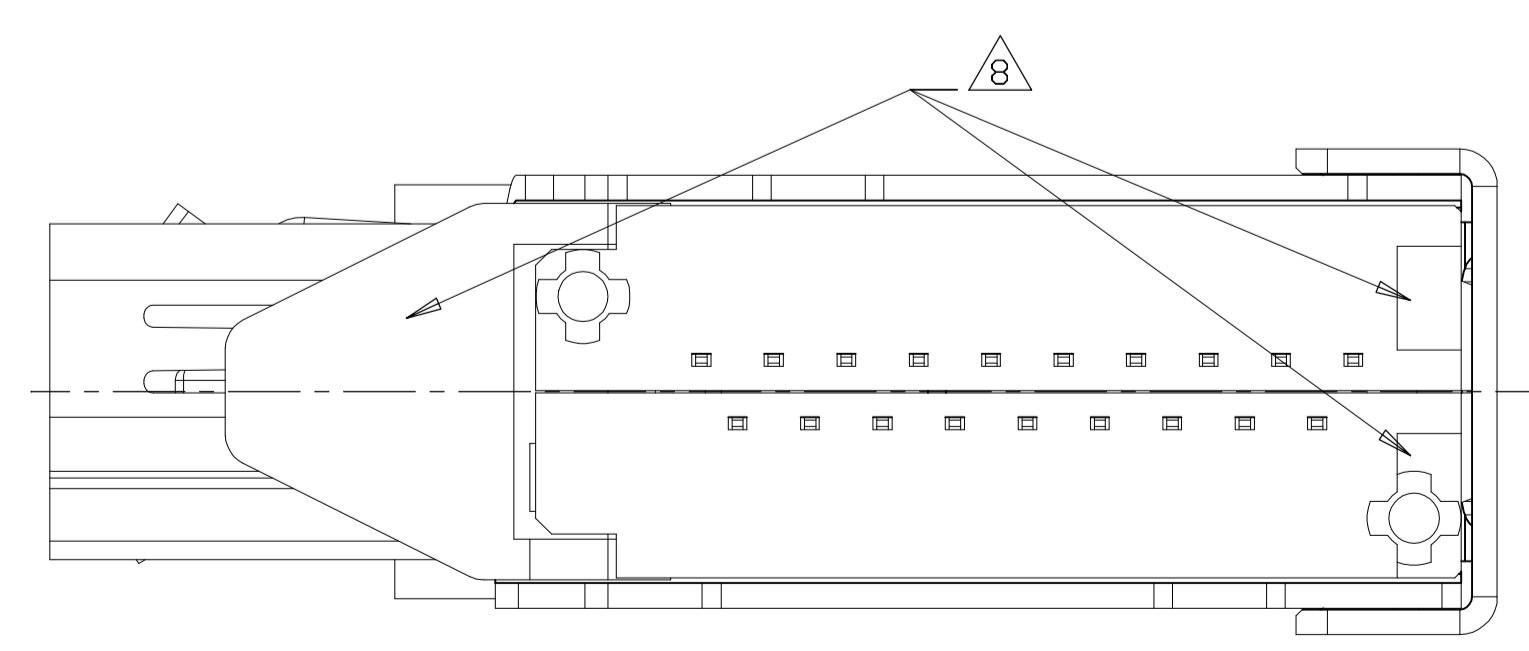
LOC		DIST		REVISIONS			
P	LTR	DESCRIPTION	DATE	DNW	APVD		
-	-	SEE SHEET 1	-	-	-	-	-



2007435-6 WITH POLYIMIDE TAPE,
UNMARKED DIMENSIONS SAME AS 2007435-1
SCALE 6:1

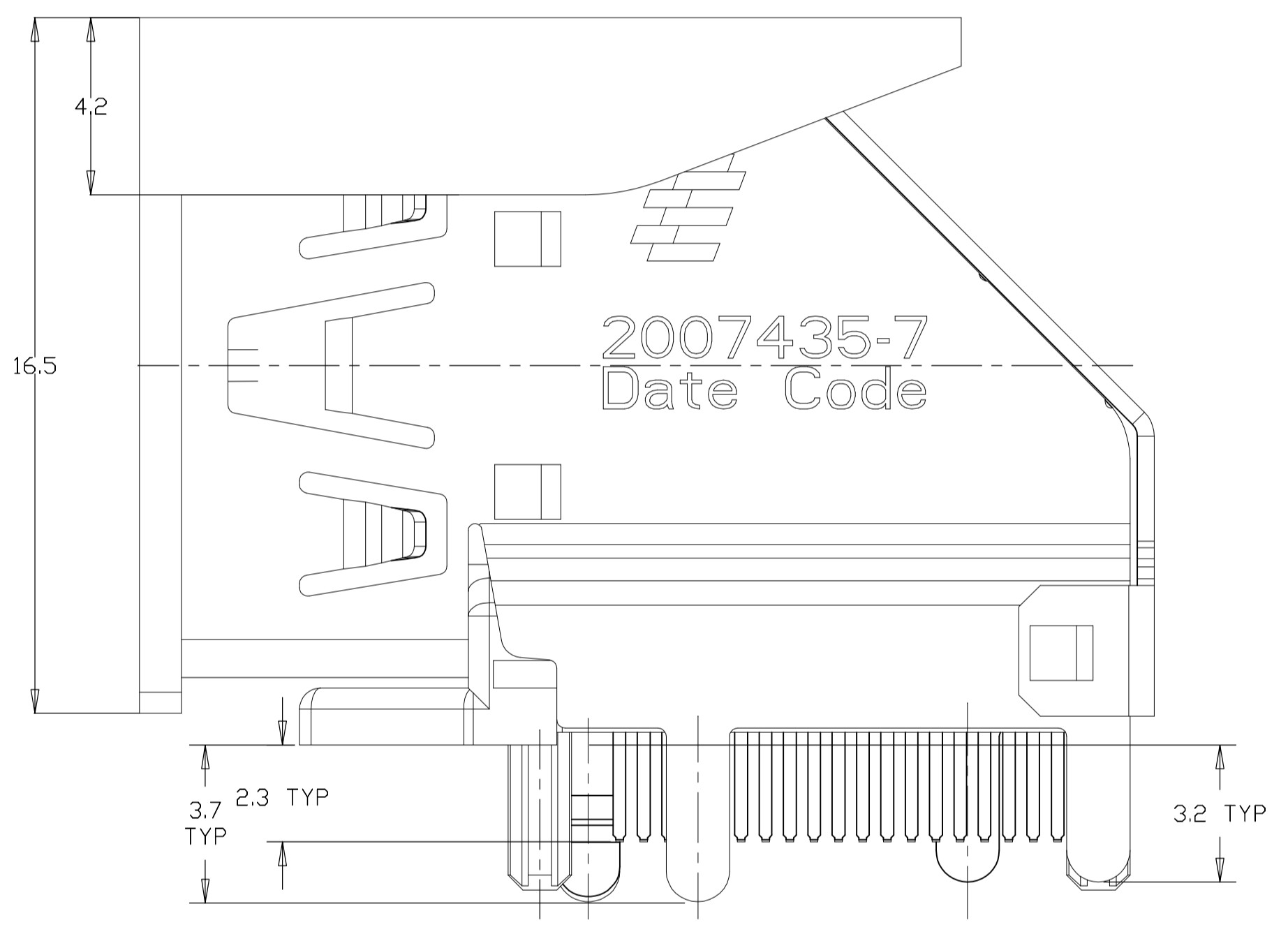
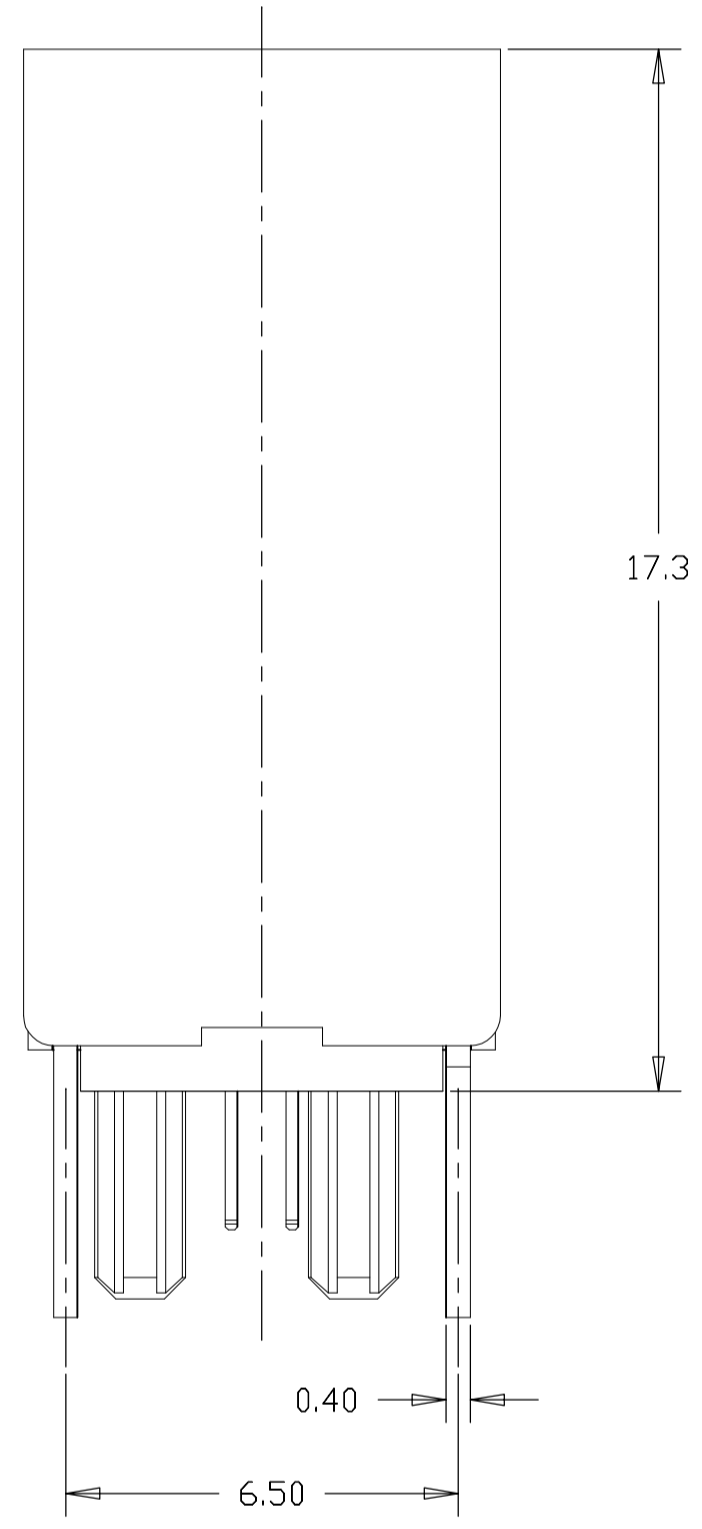
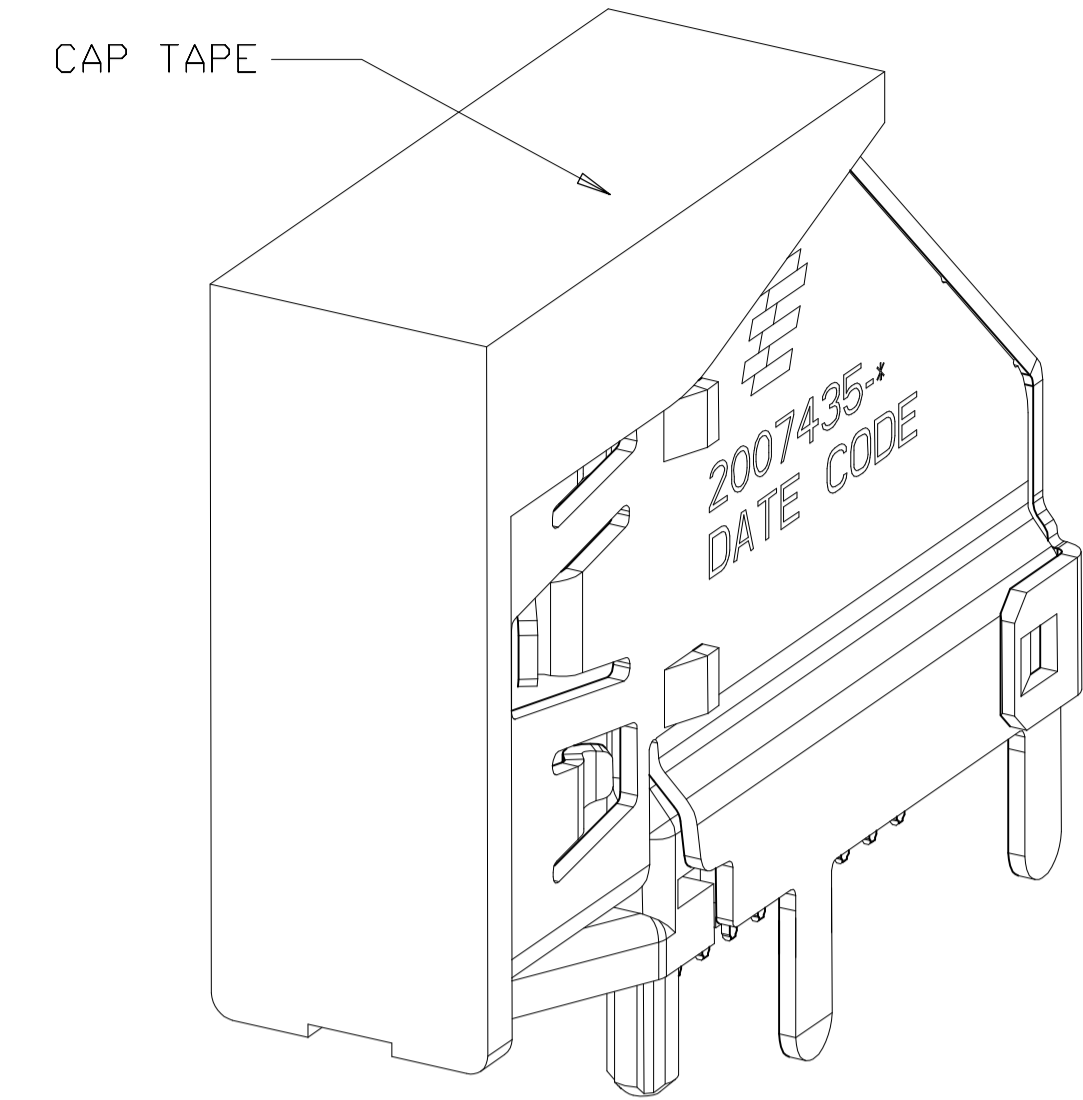
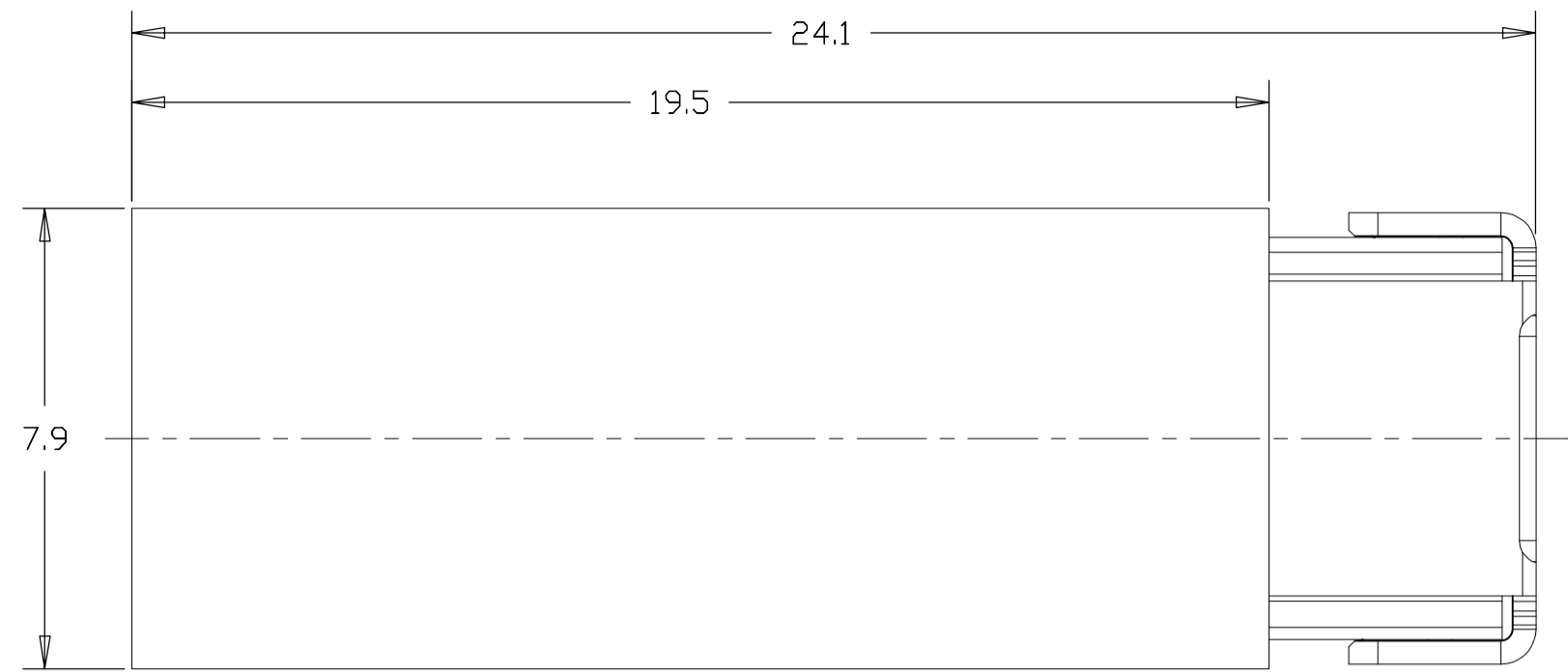


INSTALLED CONDITION
SCALE 6:1

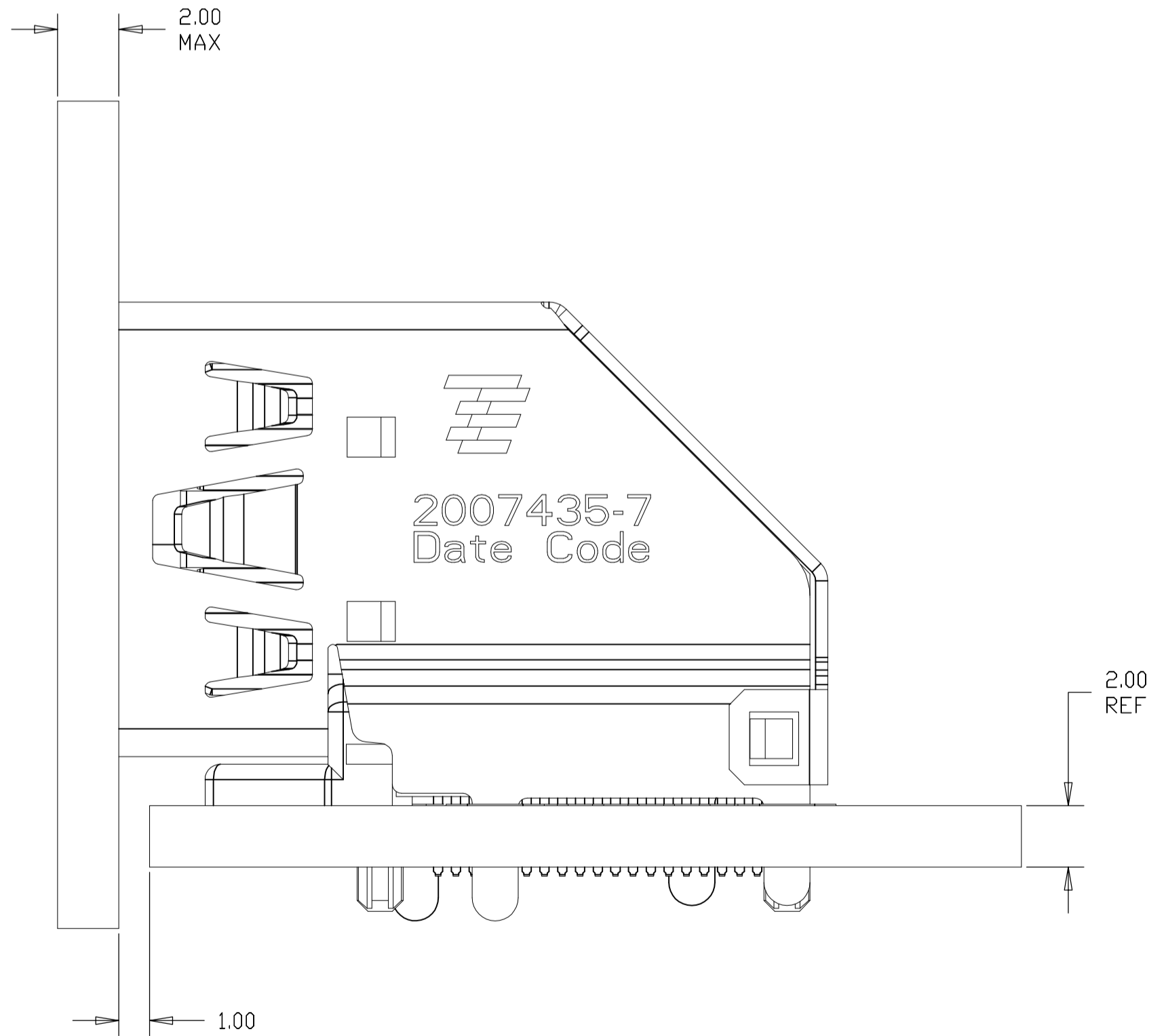


THIS DRAWING IS A CONTROLLED DOCUMENT.		DIN		STE		TE Connectivity	
DIMENSIONS: mm		TOLERANCES UNLESS OTHERWISE SPECIFIED:		NAME		HDMI FLAG CONNECTOR ASSEMBLY	
<ul style="list-style-type: none"> 0. PLC ± 0.3 1. PLC ± 0.25 2. PLC ± 0.10 3. PLC ± 0.10 4. PLC ± 0.10 ANGLES ± - 		<ul style="list-style-type: none"> APVD PRODUCT SPEC APPLICATION SPEC WEIGHT 		SIZE		RESTRICTED TO	
MATERIAL SEE TABLE		FINISH		A1 00779 C=2007435		SCALE 8:1 SHEET 5 OF 10 REV D2	
		CUSTOMER DRAWING					

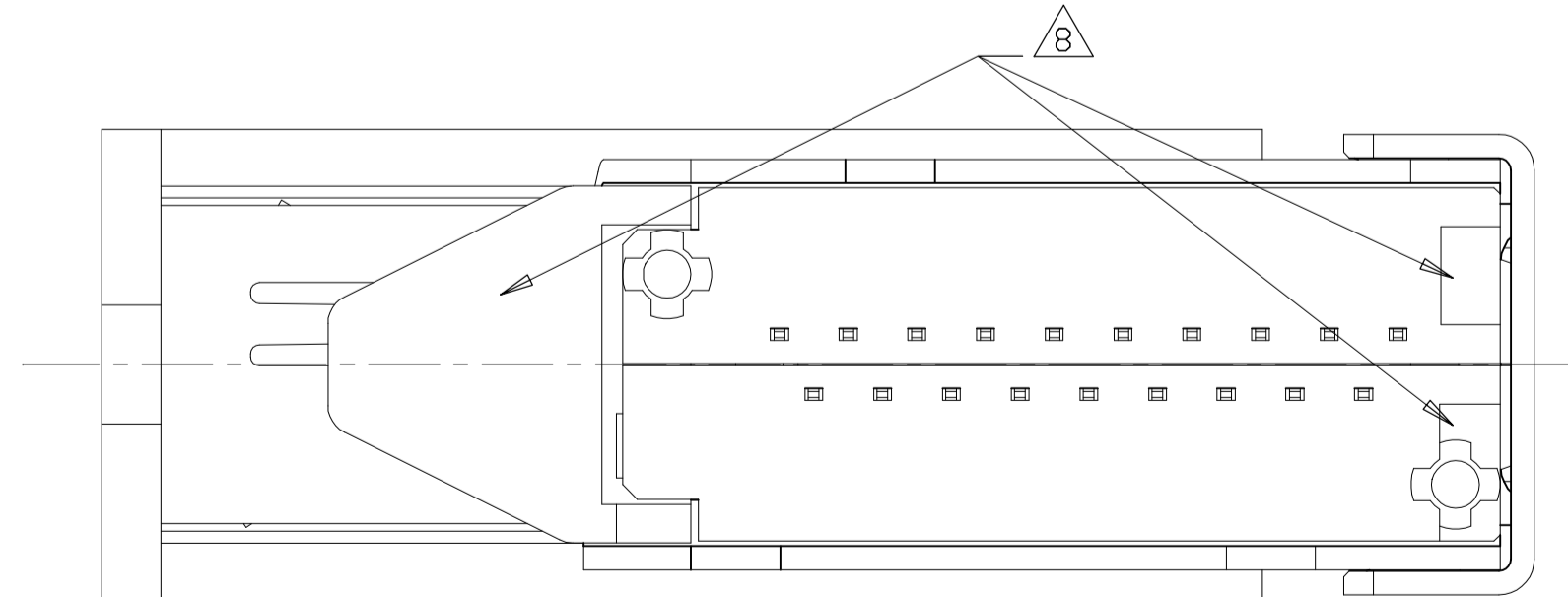
LOC		DIST		REVISIONS			
P	LTR	DESCRIPTION	DATE	OWN	APVD		
-	-	SEE SHEET 1	-	-	-	-	-



2007435-7 WITH CAP,
 UNMARKED DIMENSIONS SAME AS 2007435-1
 SCALE 6:1

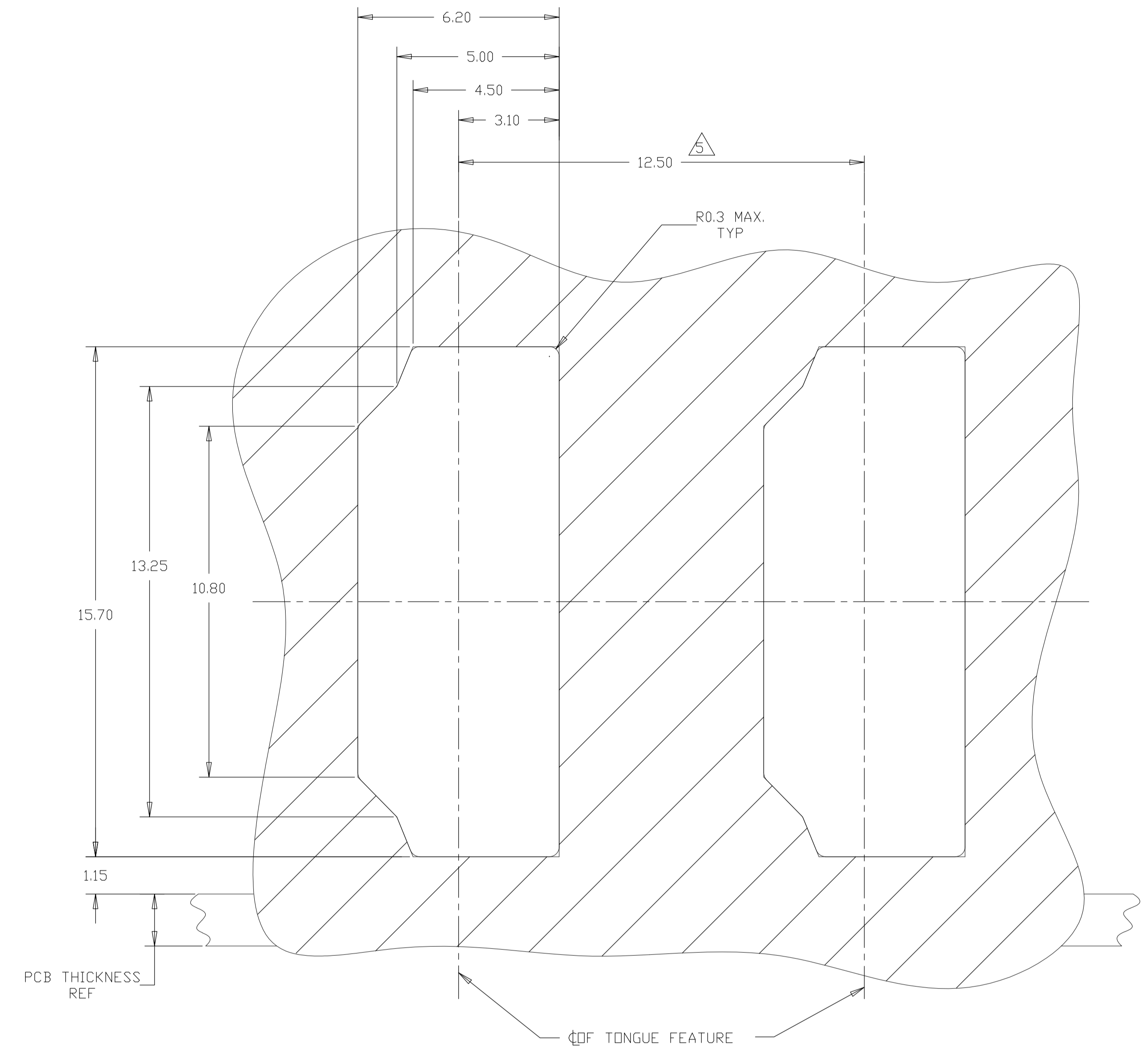
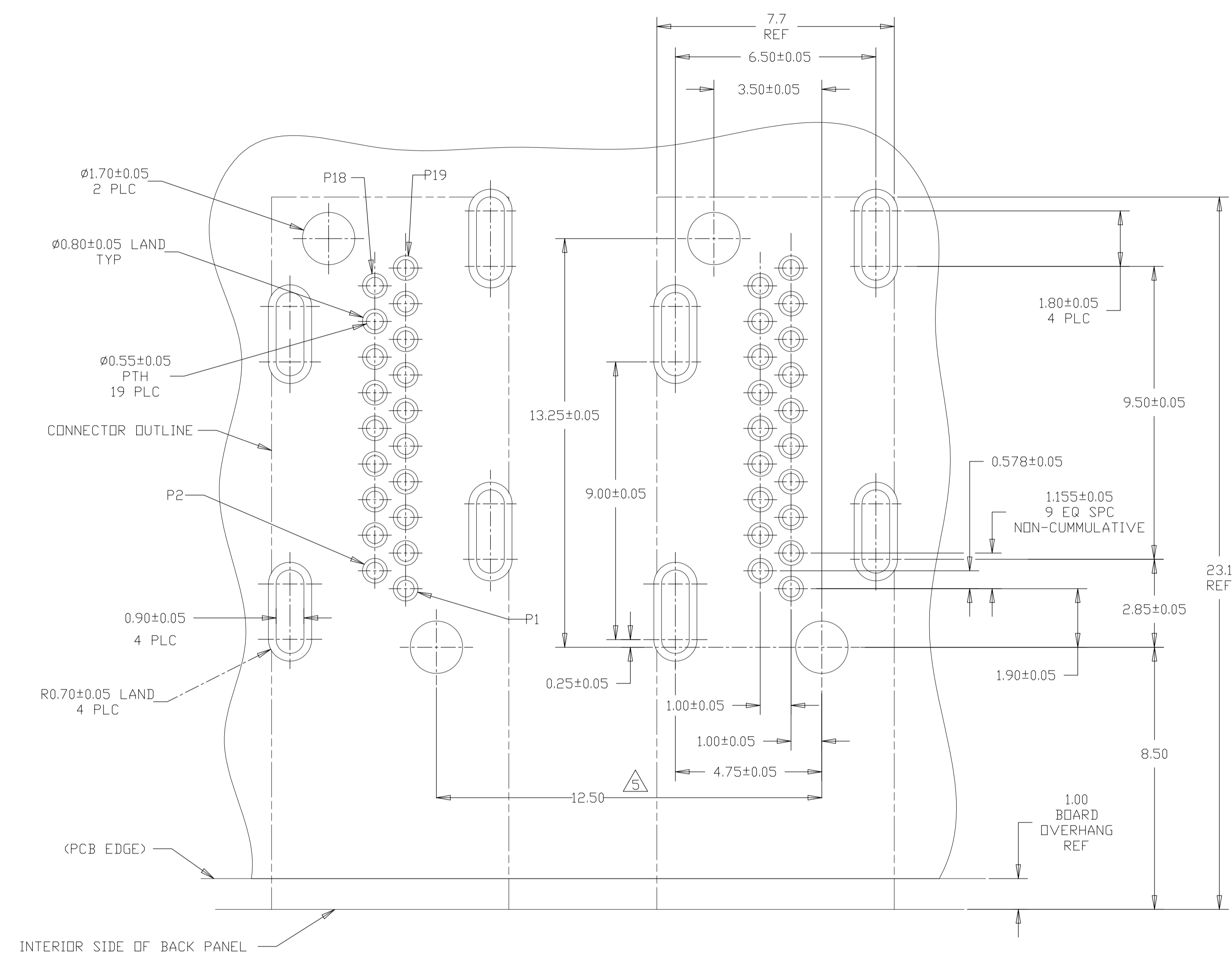


INSTALLED CONDITION
 (ONLY FOR AFTER REMOVE CAP)
 SCALE 6:1



THIS DRAWING IS A CONTROLLED DOCUMENT.		DWN	TE TE Connectivity	
DIMENSIONS: mm		CHK		
TOLERANCES UNLESS OTHERWISE SPECIFIED:		APVD	NAME	
0 PLC	± 0.3	PRODUCT SPEC	HDMI FLAG CONNECTOR ASSEMBLY	
1 PLC	± 0.25	APPLICATION SPEC	SIZE	CAGE CODE
2 PLC	± 0.10	WEIGHT	A1	00779
3 PLC	± 0.10	CUSTOMER DRAWING	DRAWING NO. ©=2007435	
4 PLC	± 0.10		SCALE	8:1
ANGLES	±		SHEET	6 OF 10
MATERIAL SEE TABLE	FINISH		REV	D2

LOC		DIST		REVISIONS			
P	LTR	DESCRIPTION	DATE	DNW	APVD		
-	-	SEE SHEET 1	-	-	-	-	-

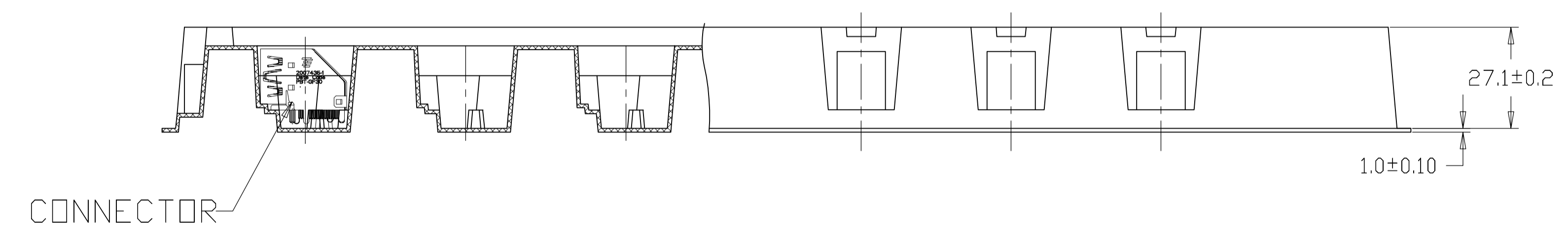
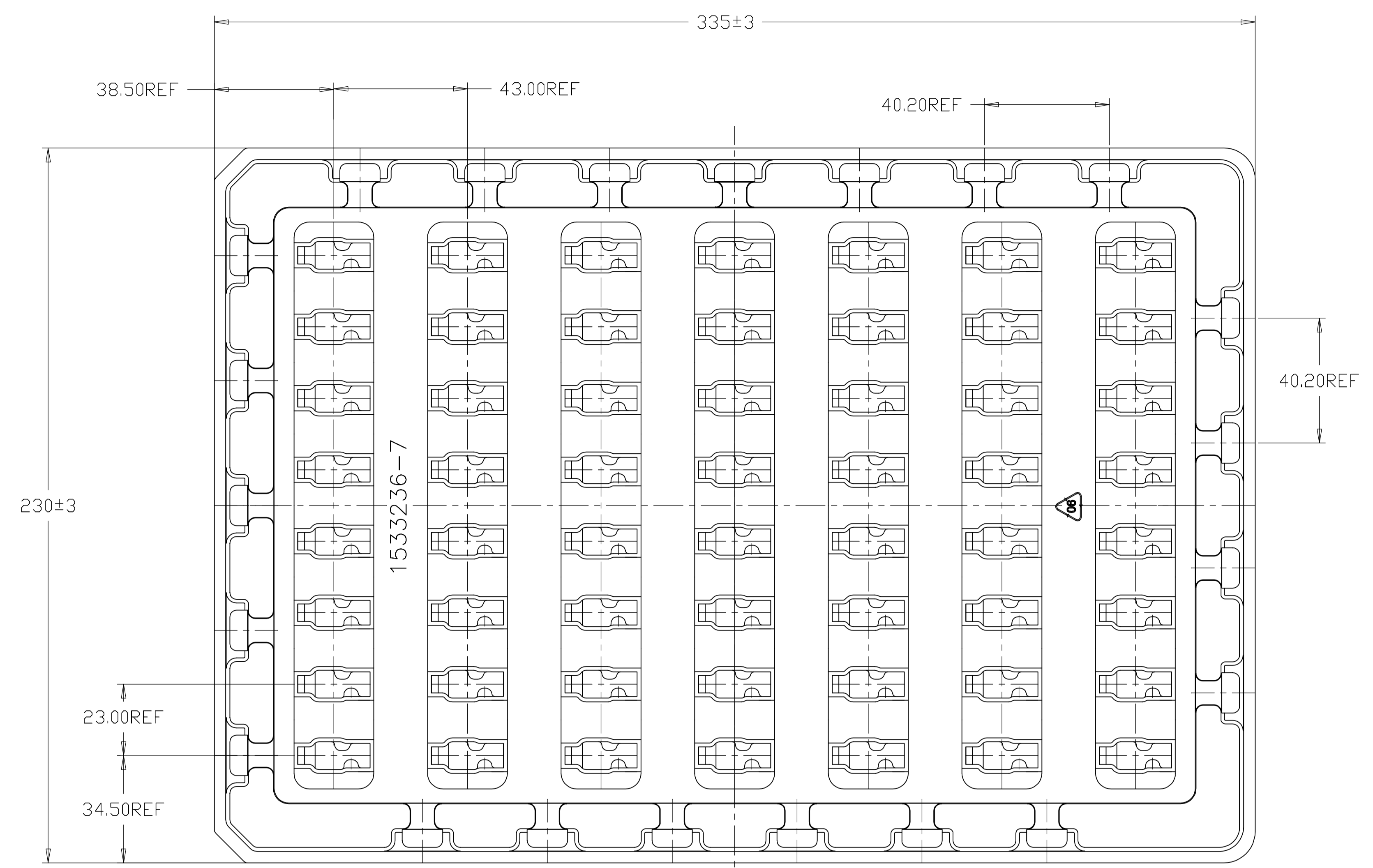


PCB LAYOUT SCALE 10:1

RECOMMENDED PANEL CUTOUT SCALE 10:1

THIS DRAWING IS A CONTROLLED DOCUMENT.		DIN	TE Connectivity	
DIMENSIONS:	TOLERANCES UNLESS OTHERWISE SPECIFIED:	CHK	NAME	
mm	0 PLC ± -	APVD	HDMI FLAG CONNECTOR ASSEMBLY	
	1 PLC ± 0.1	PRODUCT SPEC	-	
	2 PLC ± 0.10	APPLICATION SPEC	-	
	3 PLC ± 0.100	SIZE	A1	CAGE CODE
	4 PLC ± 0.1000	WEIGHT	00779	DRAWING NO
MATERIAL	FINISH	CUSTOMER DRAWING	C=2007435	RESTRICTED TO
		SCALE	8:1	SHEET 7 OF 10
		REV	D2	

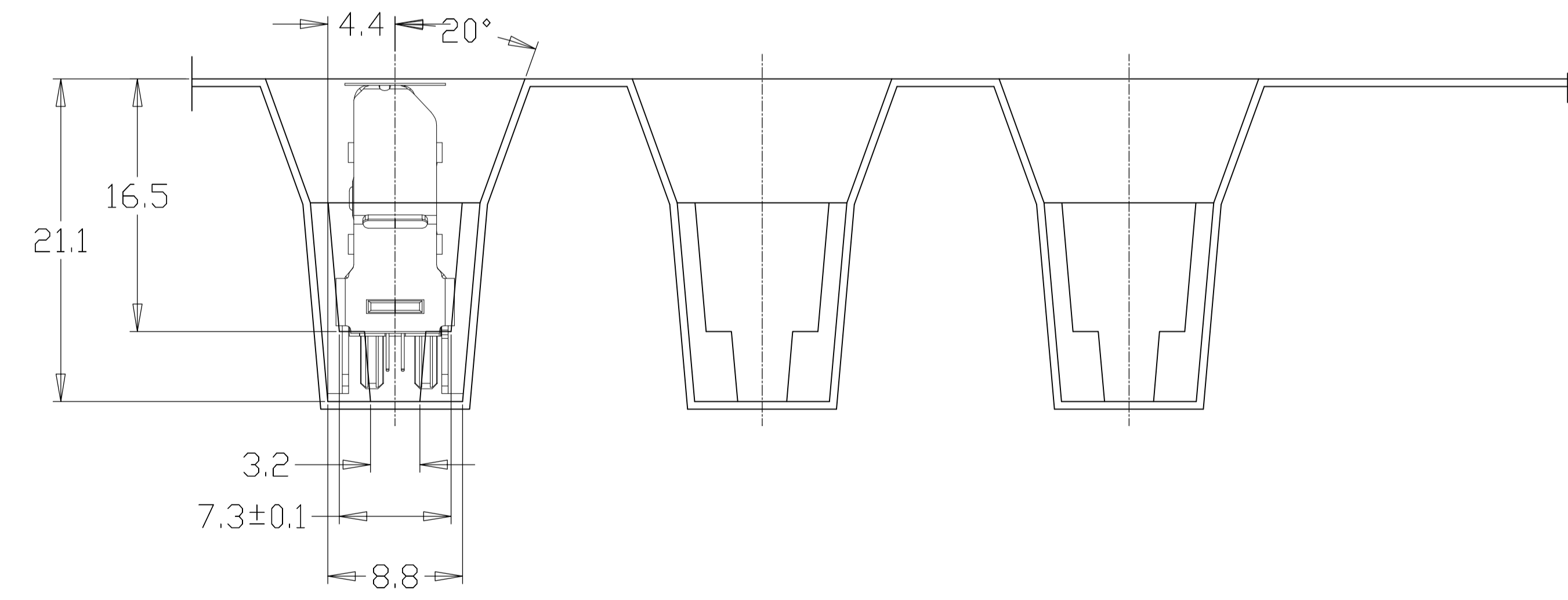
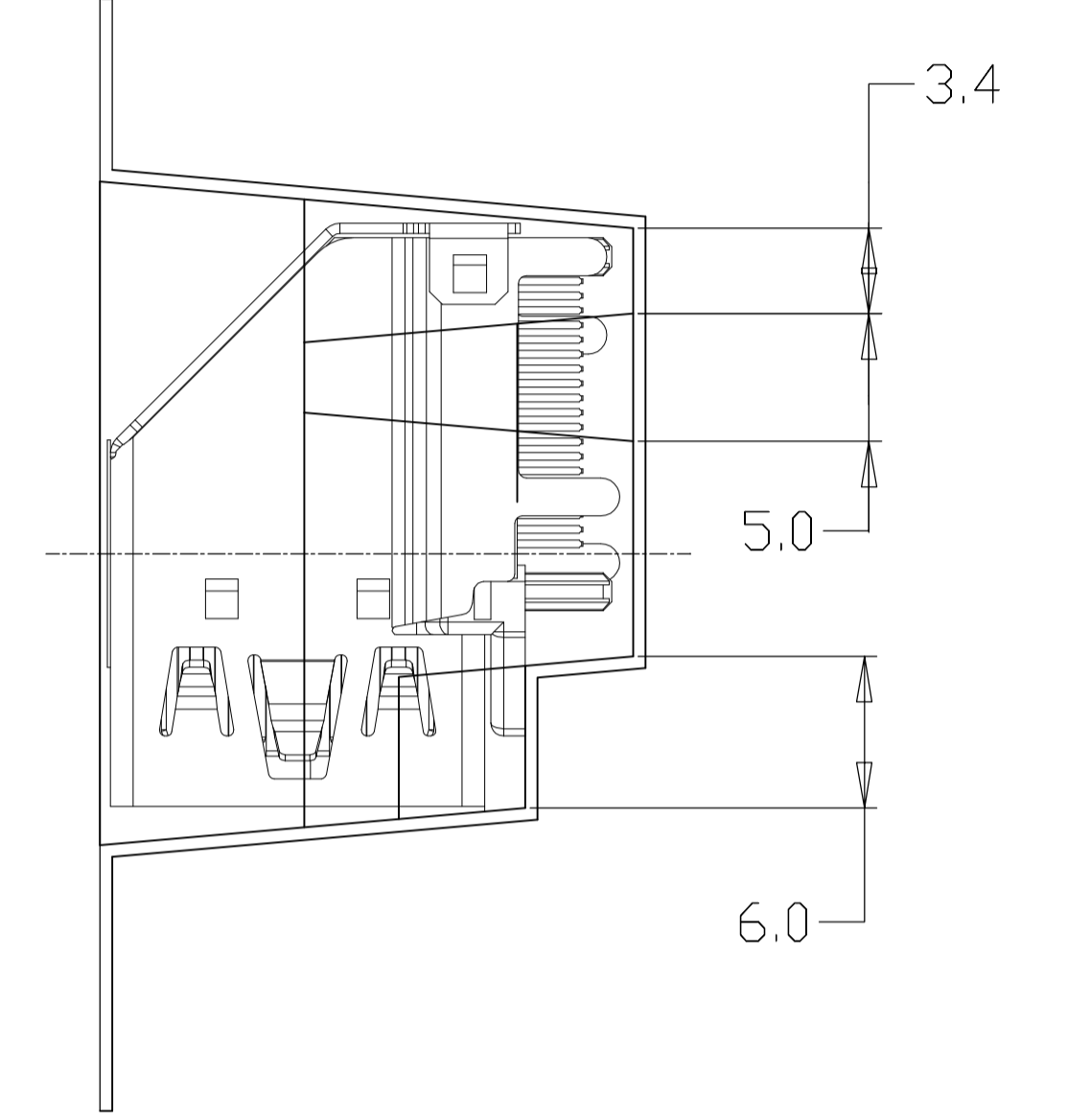
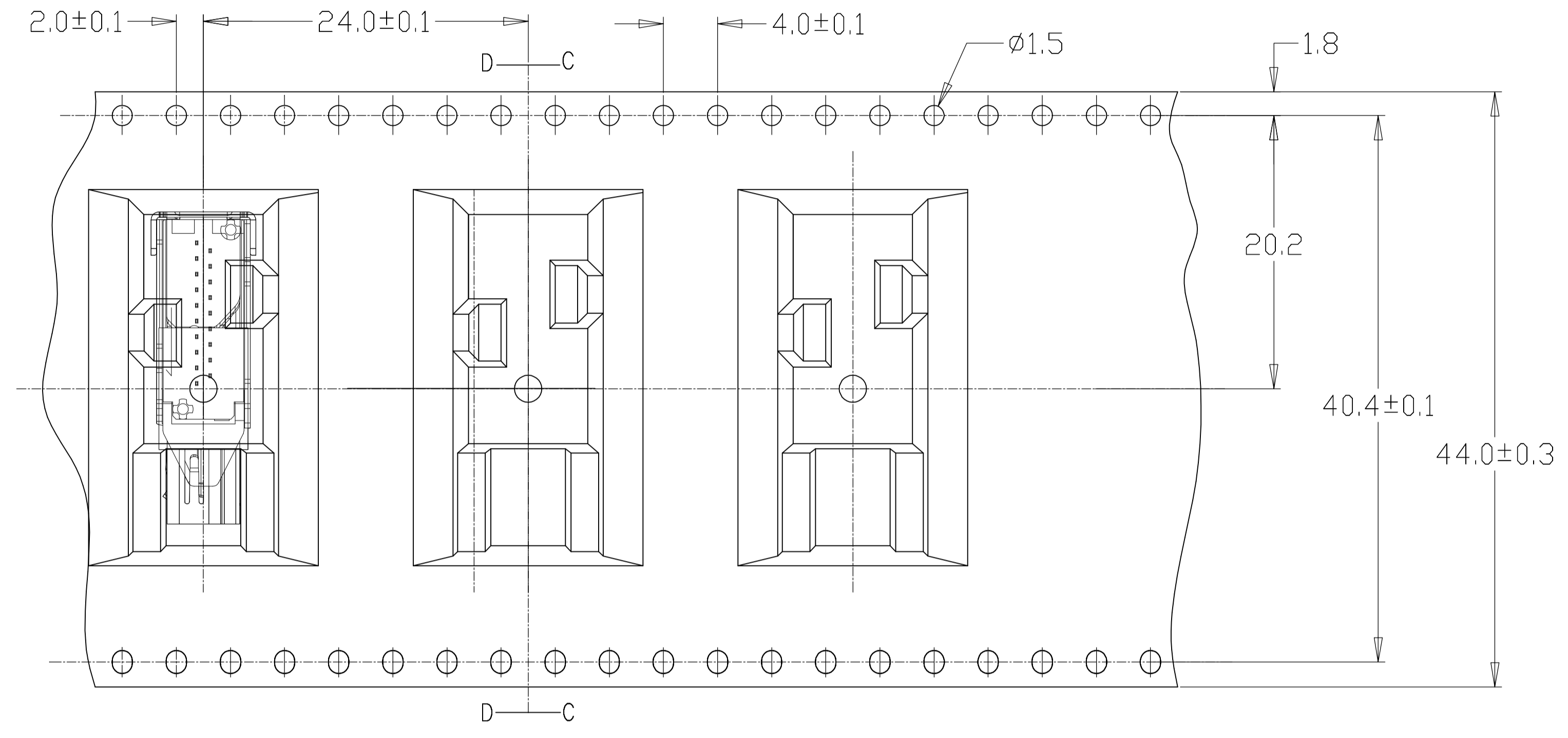
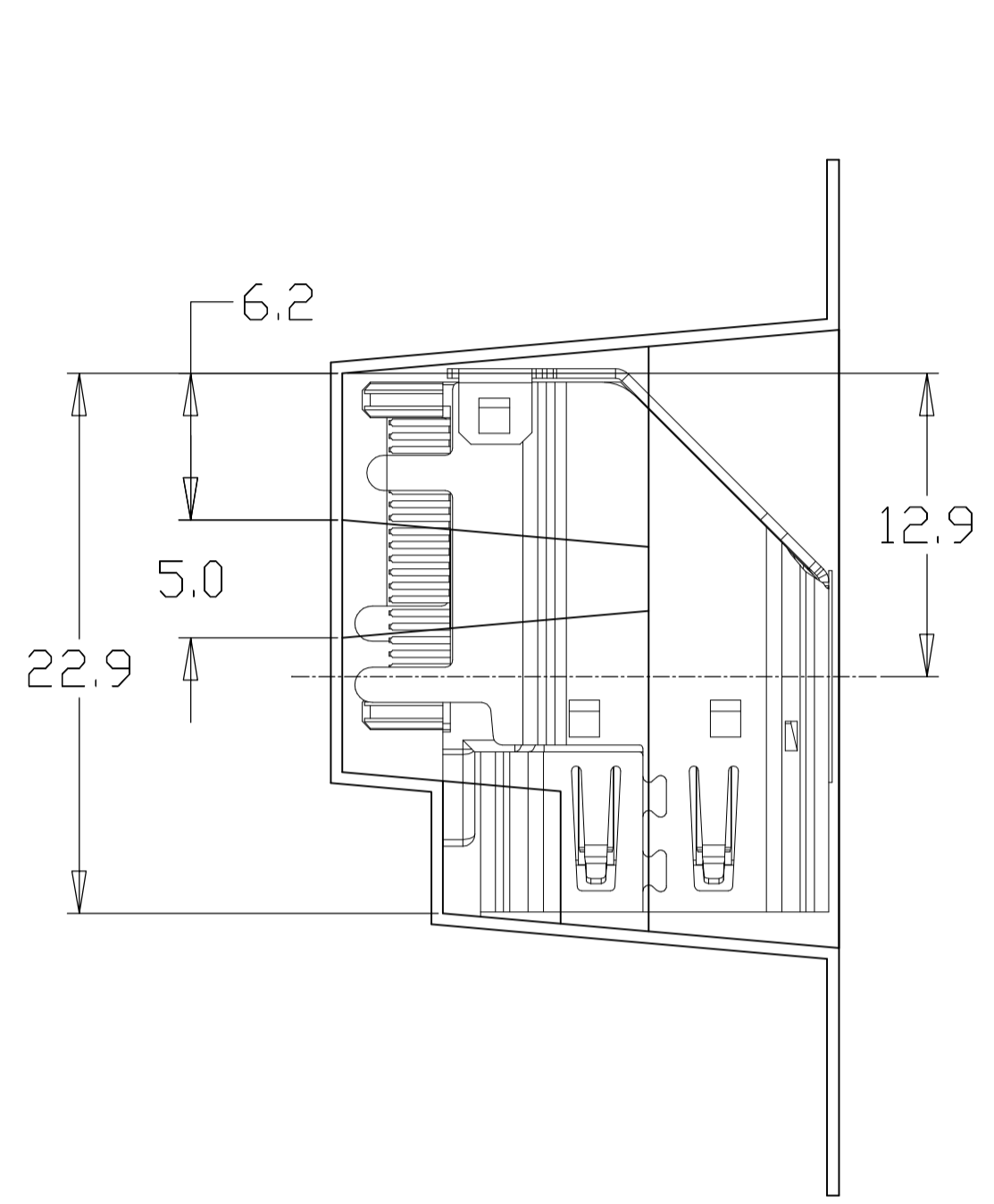
LOC		DIST		REVISIONS			
P	LTR	DESCRIPTION	DATE	DNW	APVD		
-	-	SEE SHEET 1	-	-	-	-	-



PACKAGE TRAY
FOR PART NUMBER
2007435-1,-2,-3,-4,-5
2-2007435-1

THIS DRAWING IS A CONTROLLED DOCUMENT.		DIN		STE TE Connectivity	
DIMENSIONS: mm		TOLERANCES UNLESS OTHERWISE SPECIFIED:		NAME	
<ul style="list-style-type: none"> 0. PLC ± .1 1. PLC ± .1 2. PLC ± .1 3. PLC ± .1 4. PLC ± .1 ANGLES ± .5 		APVD		HDMI FLAG CONNECTOR ASSEMBLY	
MATERIAL		FINISH		PRODUCT SPEC	
				APPLICATION SPEC	
				WEIGHT	
				A1 00779 C=2007435	
				CUSTOMER DRAWING	
				SCALE N/A SHEET 8 OF 10 REV D2	

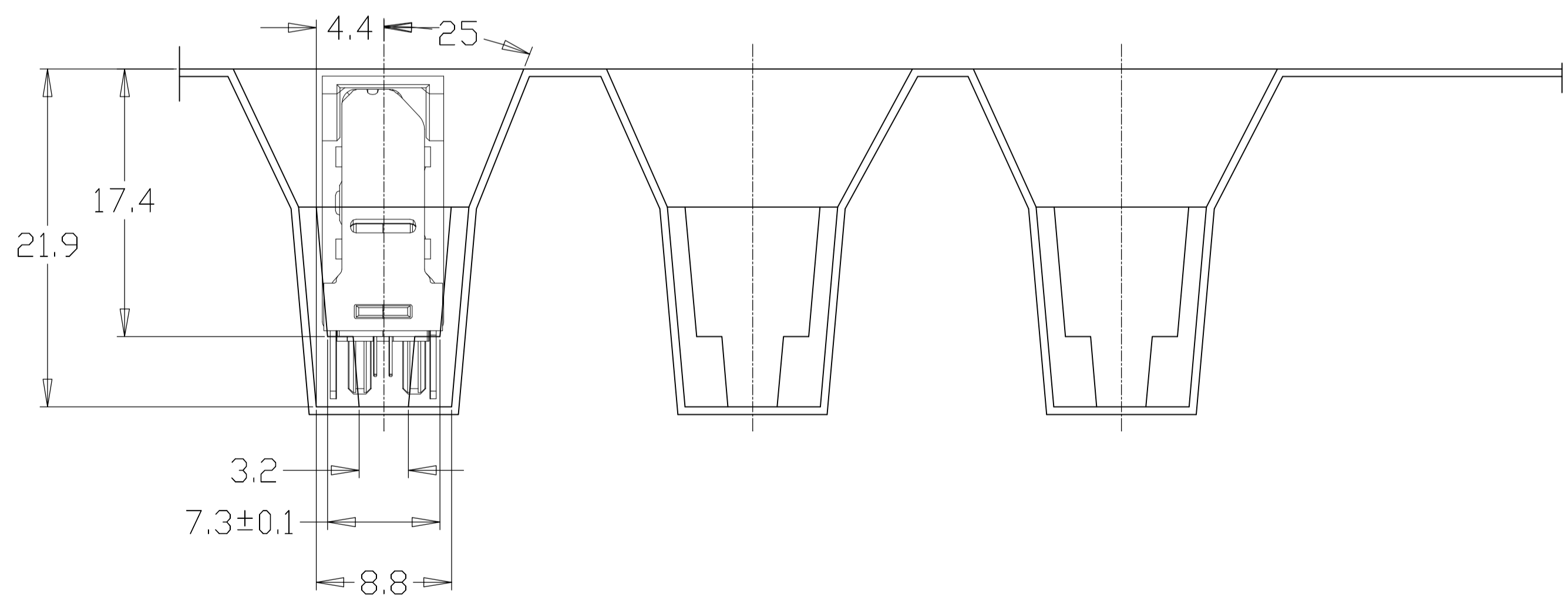
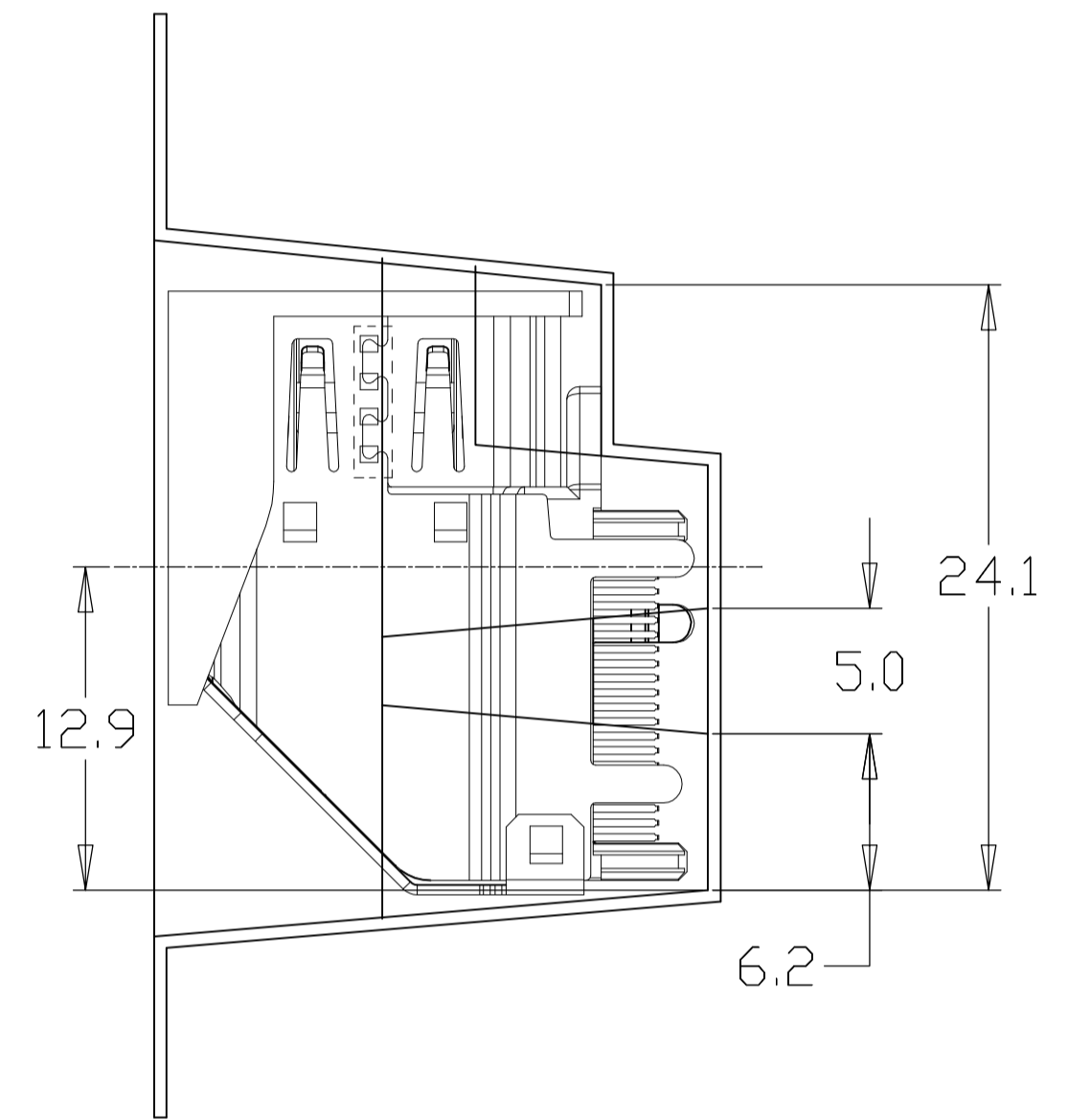
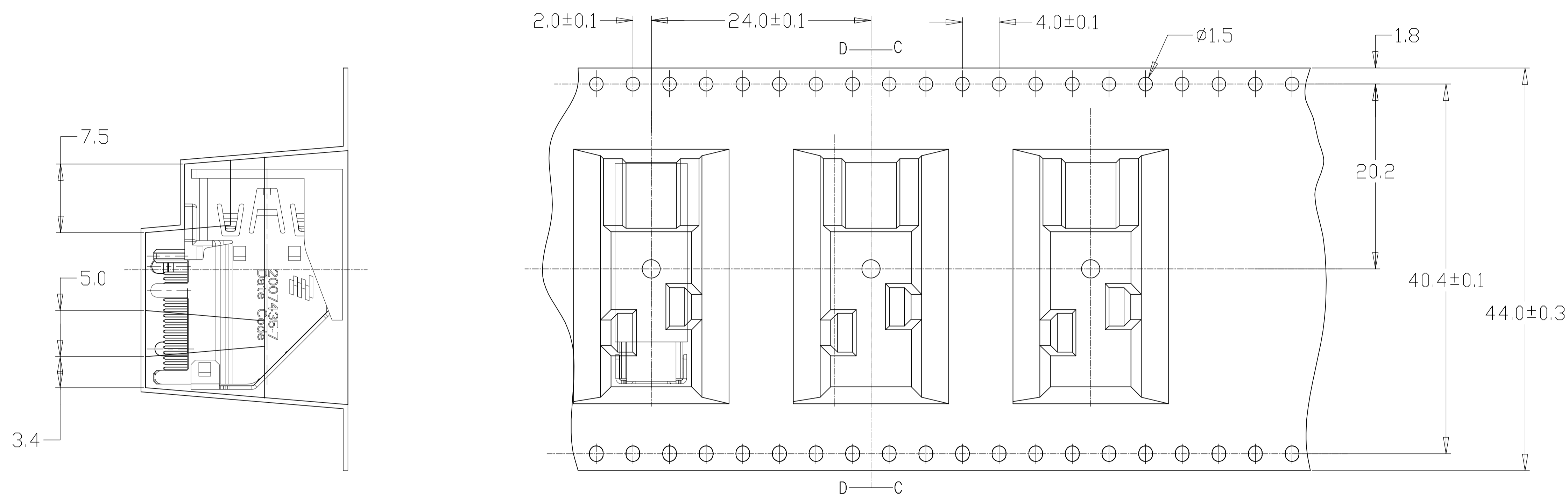
LOC		DIST		REVISIONS			
P	LTR	DESCRIPTION	DATE	DN	APVD		
-	-	SEE SHEET 1	-	-	-	-	-



EMBOSS TAPE
FOR PART NUMBER 2007435-6

THIS DRAWING IS A CONTROLLED DOCUMENT.		DIN	TE Connectivity	
DIMENSIONS: mm		CHK		
DIMENSIONS: mm 0. PLC ± 0.3 1. PLC ± 0.15 2. PLC ± 0.10 3. PLC ± 0.10 4. PLC ± 0.10 ANGLES ± 0.10		APVD	NAME	
		PRODUCT SPEC	HDMI FLAG CONNECTOR ASSEMBLY	
MATERIAL		APPLICATION SPEC	SIZE	CAGE CODE
FINISH		WEIGHT	A1	00779
		CUSTOMER DRAWING	SCALE	N/A
			SHEET	9 OF 10
			REV	D2

LOC		DIST		REVISIONS			
P	LTR	DESCRIPTION	DATE	DNW	APVD		
-	-	SEE SHEET 1	-	-	-	-	-



EMBOSS TAPE
FOR PART NUMBER 2007435-7

THIS DRAWING IS A CONTROLLED DOCUMENT.		DIN		STE TE Connectivity	
DIMENSIONS: mm		CHK		NAME	
TOLERANCES UNLESS OTHERWISE SPECIFIED:		APVD		HDMI FLAG CONNECTOR ASSEMBLY	
0. PLC ± 0.3		PRODUCT SPEC		-	
1. PLC ± 0.15		APPLICATION SPEC		-	
2. PLC ± 0.10		MATERIAL		SIZE CAGE CODE DRAWING NO	
3. PLC ± 0.10		FINISH		A1 00779 C=2007435	
4. PLC ± 0.10		WEIGHT		RESTRICTED TO	
ANGLES ±		CUSTOMER DRAWING		SCALE N/A SHEET 10 OF 10 REV D2	

Компания «Океан Электроники» предлагает заключение долгосрочных отношений при поставках импортных электронных компонентов на взаимовыгодных условиях!

Наши преимущества:

- Поставка оригинальных импортных электронных компонентов напрямую с производств Америки, Европы и Азии, а так же с крупнейших складов мира;
- Широкая линейка поставок активных и пассивных импортных электронных компонентов (более 30 млн. наименований);
- Поставка сложных, дефицитных, либо снятых с производства позиций;
- Оперативные сроки поставки под заказ (от 5 рабочих дней);
- Экспресс доставка в любую точку России;
- Помощь Конструкторского Отдела и консультации квалифицированных инженеров;
- Техническая поддержка проекта, помощь в подборе аналогов, поставка прототипов;
- Поставка электронных компонентов под контролем ВП;
- Система менеджмента качества сертифицирована по Международному стандарту ISO 9001;
- При необходимости вся продукция военного и аэрокосмического назначения проходит испытания и сертификацию в лаборатории (по согласованию с заказчиком);
- Поставка специализированных компонентов военного и аэрокосмического уровня качества (Xilinx, Altera, Analog Devices, Intersil, Interpoint, Microsemi, Actel, Aeroflex, Peregrine, VPT, Syfer, Eurofarad, Texas Instruments, MS Kennedy, Miteq, Cobham, E2V, MA-COM, Hittite, Mini-Circuits, General Dynamics и др.);

Компания «Океан Электроники» является официальным дистрибьютором и эксклюзивным представителем в России одного из крупнейших производителей разъемов военного и аэрокосмического назначения «JONHON», а так же официальным дистрибьютором и эксклюзивным представителем в России производителя высокотехнологичных и надежных решений для передачи СВЧ сигналов «FORSTAR».



JONHON

«JONHON» (основан в 1970 г.)

Разъемы специального, военного и аэрокосмического назначения:

(Применяются в военной, авиационной, аэрокосмической, морской, железнодорожной, горно- и нефтедобывающей отраслях промышленности)

«FORSTAR» (основан в 1998 г.)

ВЧ соединители, коаксиальные кабели, кабельные сборки и микроволновые компоненты:

(Применяются в телекоммуникациях гражданского и специального назначения, в средствах связи, РЛС, а так же военной, авиационной и аэрокосмической отраслях промышленности).



Телефон: 8 (812) 309-75-97 (многоканальный)

Факс: 8 (812) 320-03-32

Электронная почта: ocean@oceanchips.ru

Web: <http://oceanchips.ru/>

Адрес: 198099, г. Санкт-Петербург, ул. Калинина, д. 2, корп. 4, лит. А