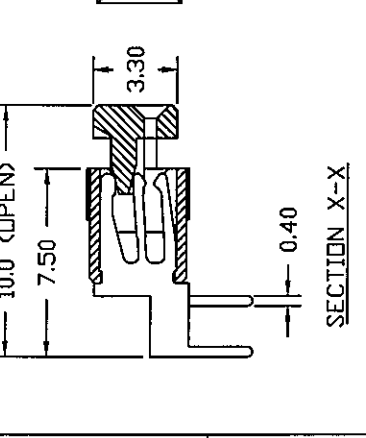
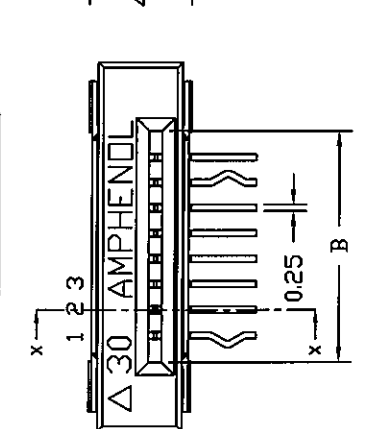
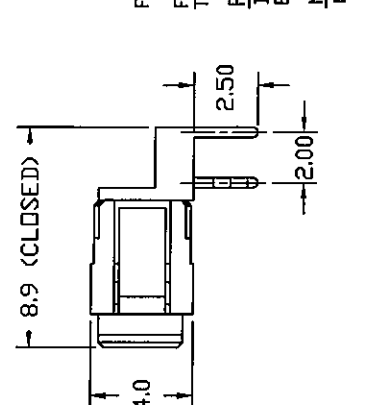
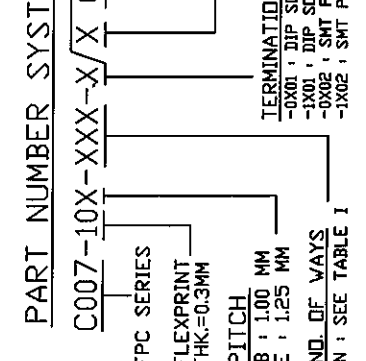


REV.	DATE	DESCRIPTION	APPROVED
1		RELEASED TO PRODUCTION EGN# HK585	

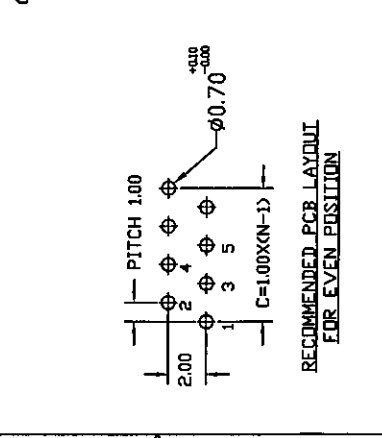
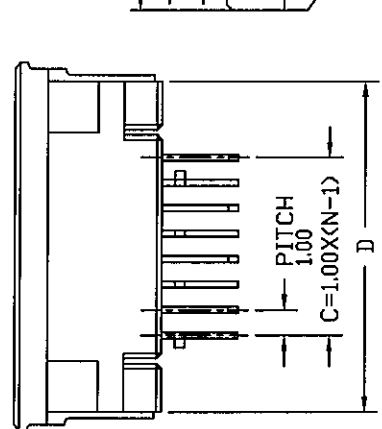
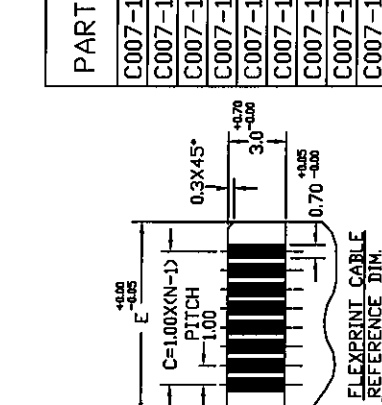
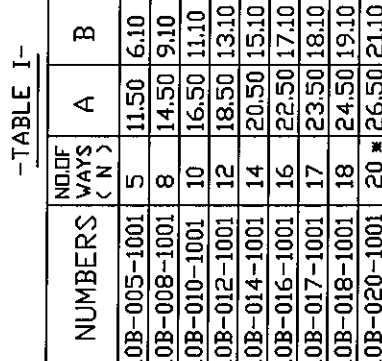
PART NUMBER SYSTEM
C007-10X-XXX-X/X 0 X

- FPC SERIES
- FLEXPRINT THK=0.3MM
- PITCH B: 1.00 MM E: 1.25 MM
- NO. OF WAYS N: SEE TABLE I
- VARIATION
- CONTACT PLATING
0: TIN/LEAD
1: GOLD FLASH
- TERMINATIONS
-0X01: DIP SOLDER PIN, STRAIGHT
-1X01: DIP SOLDER PIN, RIGHT ANGLED
-0X02: SMT PIN, RIGHT ANGLED
-1X02: SMT PIN, STRAIGHT

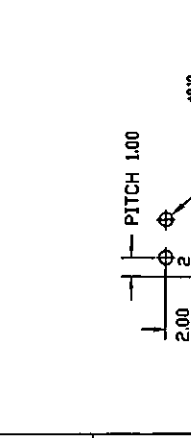
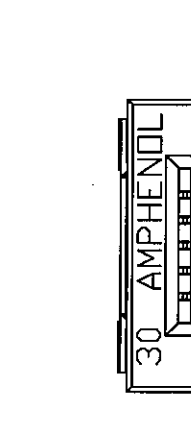
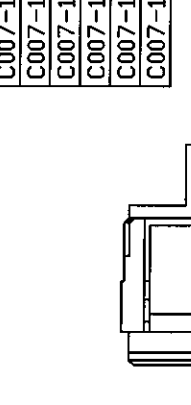
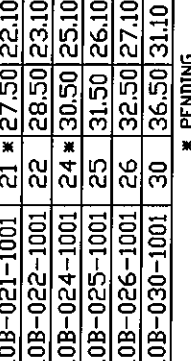


-TABLE I-

PART NUMBERS	NO. OF WAYS (N)	A	B	C	D	E
C007-10B-005-1001	5	11.50	6.10	4.00	10.00	6.10
C007-10B-008-1001	8	14.50	9.10	7.00	13.00	9.10
C007-10B-010-1001	10	16.50	11.10	9.00	15.00	11.10
C007-10B-012-1001	12	18.50	13.10	11.00	17.00	13.10
C007-10B-014-1001	14	20.50	15.10	13.00	19.00	15.10
C007-10B-016-1001	16	22.50	17.10	15.00	21.00	17.10
C007-10B-017-1001	17	23.50	18.10	16.00	22.00	18.10
C007-10B-018-1001	18	24.50	19.10	17.00	23.00	19.10
C007-10B-020-1001	20	26.50	21.10	19.00	25.00	21.10
C007-10B-021-1001	21	27.50	22.10	20.00	26.00	22.10
C007-10B-022-1001	22	28.50	23.10	21.00	27.00	23.10
C007-10B-024-1001	24	30.50	25.10	23.00	29.00	25.10
C007-10B-025-1001	25	31.50	26.10	24.00	30.00	26.10
C007-10B-026-1001	26	32.50	27.10	25.00	31.00	27.10
C007-10B-030-1001	30	36.50	31.10	29.00	35.00	31.10



CONTACT CONFIGURATION FOR EVEN POSITION



UNLESS OTHERWISE SPECIFIED

TOLERANCES
 U.S. METRIC
 X: ±0.005
 Y: ±0.008
 Z: ±0.012
 ANGLES: ±0.5°

REMOVE SHARP EDGES

DIMENSIONS
 INCHES: 1/16, 1/8, 3/16, 1/4, 3/8, 1/2, 5/8, 3/4, 7/8, 1, 1 1/8, 1 1/4, 1 3/8, 1 1/2, 1 5/8, 1 3/4, 1 7/8, 2, 2 1/8, 2 1/4, 2 3/8, 2 1/2, 2 5/8, 2 3/4, 2 7/8, 3, 3 1/8, 3 1/4, 3 3/8, 3 1/2, 3 5/8, 3 3/4, 3 7/8, 4, 4 1/8, 4 1/4, 4 3/8, 4 1/2, 4 5/8, 4 3/4, 4 7/8, 5, 5 1/8, 5 1/4, 5 3/8, 5 1/2, 5 5/8, 5 3/4, 5 7/8, 6, 6 1/8, 6 1/4, 6 3/8, 6 1/2, 6 5/8, 6 3/4, 6 7/8, 7, 7 1/8, 7 1/4, 7 3/8, 7 1/2, 7 5/8, 7 3/4, 7 7/8, 8, 8 1/8, 8 1/4, 8 3/8, 8 1/2, 8 5/8, 8 3/4, 8 7/8, 9, 9 1/8, 9 1/4, 9 3/8, 9 1/2, 9 5/8, 9 3/4, 9 7/8, 10, 10 1/8, 10 1/4, 10 3/8, 10 1/2, 10 5/8, 10 3/4, 10 7/8, 11, 11 1/8, 11 1/4, 11 3/8, 11 1/2, 11 5/8, 11 3/4, 11 7/8, 12, 12 1/8, 12 1/4, 12 3/8, 12 1/2, 12 5/8, 12 3/4, 12 7/8, 13, 13 1/8, 13 1/4, 13 3/8, 13 1/2, 13 5/8, 13 3/4, 13 7/8, 14, 14 1/8, 14 1/4, 14 3/8, 14 1/2, 14 5/8, 14 3/4, 14 7/8, 15, 15 1/8, 15 1/4, 15 3/8, 15 1/2, 15 5/8, 15 3/4, 15 7/8, 16, 16 1/8, 16 1/4, 16 3/8, 16 1/2, 16 5/8, 16 3/4, 16 7/8, 17, 17 1/8, 17 1/4, 17 3/8, 17 1/2, 17 5/8, 17 3/4, 17 7/8, 18, 18 1/8, 18 1/4, 18 3/8, 18 1/2, 18 5/8, 18 3/4, 18 7/8, 19, 19 1/8, 19 1/4, 19 3/8, 19 1/2, 19 5/8, 19 3/4, 19 7/8, 20, 20 1/8, 20 1/4, 20 3/8, 20 1/2, 20 5/8, 20 3/4, 20 7/8, 21, 21 1/8, 21 1/4, 21 3/8, 21 1/2, 21 5/8, 21 3/4, 21 7/8, 22, 22 1/8, 22 1/4, 22 3/8, 22 1/2, 22 5/8, 22 3/4, 22 7/8, 23, 23 1/8, 23 1/4, 23 3/8, 23 1/2, 23 5/8, 23 3/4, 23 7/8, 24, 24 1/8, 24 1/4, 24 3/8, 24 1/2, 24 5/8, 24 3/4, 24 7/8, 25, 25 1/8, 25 1/4, 25 3/8, 25 1/2, 25 5/8, 25 3/4, 25 7/8, 26, 26 1/8, 26 1/4, 26 3/8, 26 1/2, 26 5/8, 26 3/4, 26 7/8, 27, 27 1/8, 27 1/4, 27 3/8, 27 1/2, 27 5/8, 27 3/4, 27 7/8, 28, 28 1/8, 28 1/4, 28 3/8, 28 1/2, 28 5/8, 28 3/4, 28 7/8, 29, 29 1/8, 29 1/4, 29 3/8, 29 1/2, 29 5/8, 29 3/4, 29 7/8, 30, 30 1/8, 30 1/4, 30 3/8, 30 1/2, 30 5/8, 30 3/4, 30 7/8, 31, 31 1/8, 31 1/4, 31 3/8, 31 1/2, 31 5/8, 31 3/4, 31 7/8, 32, 32 1/8, 32 1/4, 32 3/8, 32 1/2, 32 5/8, 32 3/4, 32 7/8, 33, 33 1/8, 33 1/4, 33 3/8, 33 1/2, 33 5/8, 33 3/4, 33 7/8, 34, 34 1/8, 34 1/4, 34 3/8, 34 1/2, 34 5/8, 34 3/4, 34 7/8, 35, 35 1/8, 35 1/4, 35 3/8, 35 1/2, 35 5/8, 35 3/4, 35 7/8, 36, 36 1/8, 36 1/4, 36 3/8, 36 1/2, 36 5/8, 36 3/4, 36 7/8, 37, 37 1/8, 37 1/4, 37 3/8, 37 1/2, 37 5/8, 37 3/4, 37 7/8, 38, 38 1/8, 38 1/4, 38 3/8, 38 1/2, 38 5/8, 38 3/4, 38 7/8, 39, 39 1/8, 39 1/4, 39 3/8, 39 1/2, 39 5/8, 39 3/4, 39 7/8, 40, 40 1/8, 40 1/4, 40 3/8, 40 1/2, 40 5/8, 40 3/4, 40 7/8, 41, 41 1/8, 41 1/4, 41 3/8, 41 1/2, 41 5/8, 41 3/4, 41 7/8, 42, 42 1/8, 42 1/4, 42 3/8, 42 1/2, 42 5/8, 42 3/4, 42 7/8, 43, 43 1/8, 43 1/4, 43 3/8, 43 1/2, 43 5/8, 43 3/4, 43 7/8, 44, 44 1/8, 44 1/4, 44 3/8, 44 1/2, 44 5/8, 44 3/4, 44 7/8, 45, 45 1/8, 45 1/4, 45 3/8, 45 1/2, 45 5/8, 45 3/4, 45 7/8, 46, 46 1/8, 46 1/4, 46 3/8, 46 1/2, 46 5/8, 46 3/4, 46 7/8, 47, 47 1/8, 47 1/4, 47 3/8, 47 1/2, 47 5/8, 47 3/4, 47 7/8, 48, 48 1/8, 48 1/4, 48 3/8, 48 1/2, 48 5/8, 48 3/4, 48 7/8, 49, 49 1/8, 49 1/4, 49 3/8, 49 1/2, 49 5/8, 49 3/4, 49 7/8, 50, 50 1/8, 50 1/4, 50 3/8, 50 1/2, 50 5/8, 50 3/4, 50 7/8, 51, 51 1/8, 51 1/4, 51 3/8, 51 1/2, 51 5/8, 51 3/4, 51 7/8, 52, 52 1/8, 52 1/4, 52 3/8, 52 1/2, 52 5/8, 52 3/4, 52 7/8, 53, 53 1/8, 53 1/4, 53 3/8, 53 1/2, 53 5/8, 53 3/4, 53 7/8, 54, 54 1/8, 54 1/4, 54 3/8, 54 1/2, 54 5/8, 54 3/4, 54 7/8, 55, 55 1/8, 55 1/4, 55 3/8, 55 1/2, 55 5/8, 55 3/4, 55 7/8, 56, 56 1/8, 56 1/4, 56 3/8, 56 1/2, 56 5/8, 56 3/4, 56 7/8, 57, 57 1/8, 57 1/4, 57 3/8, 57 1/2, 57 5/8, 57 3/4, 57 7/8, 58, 58 1/8, 58 1/4, 58 3/8, 58 1/2, 58 5/8, 58 3/4, 58 7/8, 59, 59 1/8, 59 1/4, 59 3/8, 59 1/2, 59 5/8, 59 3/4, 59 7/8, 60, 60 1/8, 60 1/4, 60 3/8, 60 1/2, 60 5/8, 60 3/4, 60 7/8, 61, 61 1/8, 61 1/4, 61 3/8, 61 1/2, 61 5/8, 61 3/4, 61 7/8, 62, 62 1/8, 62 1/4, 62 3/8, 62 1/2, 62 5/8, 62 3/4, 62 7/8, 63, 63 1/8, 63 1/4, 63 3/8, 63 1/2, 63 5/8, 63 3/4, 63 7/8, 64, 64 1/8, 64 1/4, 64 3/8, 64 1/2, 64 5/8, 64 3/4, 64 7/8, 65, 65 1/8, 65 1/4, 65 3/8, 65 1/2, 65 5/8, 65 3/4, 65 7/8, 66, 66 1/8, 66 1/4, 66 3/8, 66 1/2, 66 5/8, 66 3/4, 66 7/8, 67, 67 1/8, 67 1/4, 67 3/8, 67 1/2, 67 5/8, 67 3/4, 67 7/8, 68, 68 1/8, 68 1/4, 68 3/8, 68 1/2, 68 5/8, 68 3/4, 68 7/8, 69, 69 1/8, 69 1/4, 69 3/8, 69 1/2, 69 5/8, 69 3/4, 69 7/8, 70, 70 1/8, 70 1/4, 70 3/8, 70 1/2, 70 5/8, 70 3/4, 70 7/8, 71, 71 1/8, 71 1/4, 71 3/8, 71 1/2, 71 5/8, 71 3/4, 71 7/8, 72, 72 1/8, 72 1/4, 72 3/8, 72 1/2, 72 5/8, 72 3/4, 72 7/8, 73, 73 1/8, 73 1/4, 73 3/8, 73 1/2, 73 5/8, 73 3/4, 73 7/8, 74, 74 1/8, 74 1/4, 74 3/8, 74 1/2, 74 5/8, 74 3/4, 74 7/8, 75, 75 1/8, 75 1/4, 75 3/8, 75 1/2, 75 5/8, 75 3/4, 75 7/8, 76, 76 1/8, 76 1/4, 76 3/8, 76 1/2, 76 5/8, 76 3/4, 76 7/8, 77, 77 1/8, 77 1/4, 77 3/8, 77 1/2, 77 5/8, 77 3/4, 77 7/8, 78, 78 1/8, 78 1/4, 78 3/8, 78 1/2, 78 5/8, 78 3/4, 78 7/8, 79, 79 1/8, 79 1/4, 79 3/8, 79 1/2, 79 5/8, 79 3/4, 79 7/8, 80, 80 1/8, 80 1/4, 80 3/8, 80 1/2, 80 5/8, 80 3/4, 80 7/8, 81, 81 1/8, 81 1/4, 81 3/8, 81 1/2, 81 5/8, 81 3/4, 81 7/8, 82, 82 1/8, 82 1/4, 82 3/8, 82 1/2, 82 5/8, 82 3/4, 82 7/8, 83, 83 1/8, 83 1/4, 83 3/8, 83 1/2, 83 5/8, 83 3/4, 83 7/8, 84, 84 1/8, 84 1/4, 84 3/8, 84 1/2, 84 5/8, 84 3/4, 84 7/8, 85, 85 1/8, 85 1/4, 85 3/8, 85 1/2, 85 5/8, 85 3/4, 85 7/8, 86, 86 1/8, 86 1/4, 86 3/8, 86 1/2, 86 5/8, 86 3/4, 86 7/8, 87, 87 1/8, 87 1/4, 87 3/8, 87 1/2, 87 5/8, 87 3/4, 87 7/8, 88, 88 1/8, 88 1/4, 88 3/8, 88 1/2, 88 5/8, 88 3/4, 88 7/8, 89, 89 1/8, 89 1/4, 89 3/8, 89 1/2, 89 5/8, 89 3/4, 89 7/8, 90, 90 1/8, 90 1/4, 90 3/8, 90 1/2, 90 5/8, 90 3/4, 90 7/8, 91, 91 1/8, 91 1/4, 91 3/8, 91 1/2, 91 5/8, 91 3/4, 91 7/8, 92, 92 1/8, 92 1/4, 92 3/8, 92 1/2, 92 5/8, 92 3/4, 92 7/8, 93, 93 1/8, 93 1/4, 93 3/8, 93 1/2, 93 5/8, 93 3/4, 93 7/8, 94, 94 1/8, 94 1/4, 94 3/8, 94 1/2, 94 5/8, 94 3/4, 94 7/8, 95, 95 1/8, 95 1/4, 95 3/8, 95 1/2, 95 5/8, 95 3/4, 95 7/8, 96, 96 1/8, 96 1/4, 96 3/8, 96 1/2, 96 5/8, 96 3/4, 96 7/8, 97, 97 1/8, 97 1/4, 97 3/8, 97 1/2, 97 5/8, 97 3/4, 97 7/8, 98, 98 1/8, 98 1/4, 98 3/8, 98 1/2, 98 5/8, 98 3/4, 98 7/8, 99, 99 1/8, 99 1/4, 99 3/8, 99 1/2, 99 5/8, 99 3/4, 99 7/8, 100, 100 1/8, 100 1/4, 100 3/8, 100 1/2, 100 5/8, 100 3/4, 100 7/8, 101, 101 1/8, 101 1/4, 101 3/8, 101 1/2, 101 5/8, 101 3/4, 101 7/8, 102, 102 1/8, 102 1/4, 102 3/8, 102 1/2, 102 5/8, 102 3/4, 102 7/8, 103, 103 1/8, 103 1/4, 103 3/8, 103 1/2, 103 5/8, 103 3/4, 103 7/8, 104, 104 1/8, 104 1/4, 104 3/8, 104 1/2, 104 5/8, 104 3/4, 104 7/8, 105, 105 1/8, 105 1/4, 105 3/8, 105 1/2, 105 5/8, 105 3/4, 105 7/8, 106, 106 1/8, 106 1/4, 106 3/8, 106 1/2, 106 5/8, 106 3/4, 106 7/8, 107, 107 1/8, 107 1/4, 107 3/8, 107 1/2, 107 5/8, 107 3/4, 107 7/8, 108, 108 1/8, 108 1/4, 108 3/8, 108 1/2, 108 5/8, 108 3/4, 108 7/8, 109, 109 1/8, 109 1/4, 109 3/8, 109 1/2, 109 5/8, 109 3/4, 109 7/8, 110, 110 1/8, 110 1/4, 110 3/8, 110 1/2, 110 5/8, 110 3/4, 110 7/8, 111, 111 1/8, 111 1/4, 111 3/8, 111 1/2, 111 5/8, 111 3/4, 111 7/8, 112, 112 1/8, 112 1/4, 112 3/8, 112 1/2, 112 5/8, 112 3/4, 112 7/8, 113, 113 1/8, 113 1/4, 113 3/8, 113 1/2, 113 5/8, 113 3/4, 113 7/8, 114, 114 1/8, 114 1/4, 114 3/8, 114 1/2, 114 5/8, 114 3/4, 114 7/8, 115, 115 1/8, 115 1/4, 115 3/8, 115 1/2, 115 5/8, 115 3/4, 115 7/8, 116, 116 1/8, 116 1/4, 116 3/8, 116 1/2, 116 5/8, 116 3/4, 116 7/8, 117, 117 1/8, 117 1/4, 117 3/8, 117 1/2, 117 5/8, 117 3/4, 117 7/8, 118, 118 1/8, 118 1/4, 118 3/8, 118 1/2, 118 5/8, 118 3/4, 118 7/8, 119, 119 1/8, 119 1/4, 119 3/8, 119 1/2, 119 5/8, 119 3/4, 119 7/8, 120, 120 1/8, 120 1/4, 120 3/8, 120 1/2, 120 5/8, 120 3/4, 120 7/8, 121, 121 1/8, 121 1/4, 121 3/8, 121 1/2, 121 5/8, 121 3/4, 121 7/8, 122, 122 1/8, 122 1/4, 122 3/8, 122 1/2, 122 5/8, 122 3/4, 122 7/8, 123, 123 1/8, 123 1/4, 123 3/8, 123 1/2, 123 5/8, 123 3/4, 123 7/8, 124, 124 1/8, 124 1/4, 124 3/8, 124 1/2, 124 5/8, 124 3/4, 124 7/8, 125, 125 1/8, 125 1/4, 125 3/8, 125 1/2, 125 5/8, 125 3/4, 125 7/8, 126, 126 1/8, 126 1/4, 126 3/8, 126 1/2, 126 5/8, 126 3/4, 126 7/8, 127, 127 1/8, 127 1/4, 127 3/8, 127 1/2, 127 5/8, 127 3/4, 127 7/8, 128, 128 1/8, 128 1/4, 128 3/8, 128 1/2, 128 5/8, 128 3/4, 128 7/8, 129, 129 1/8, 129 1/4, 129 3/8, 129 1/2, 129 5/8, 129 3/4, 129 7/8, 130, 130 1/8, 130 1/4, 130 3/8, 130 1/2, 130 5/8, 130 3/4, 130 7/8, 131, 131 1/8, 131 1/4, 131 3/8, 131 1/2, 131 5/8, 131 3/4, 131 7/8, 132, 132 1/8, 132 1/4, 132 3/8, 132 1/2, 132 5/8, 132 3/4, 132 7/8, 133, 133 1/8, 133 1/4, 133 3/8, 133 1/2, 133 5/8, 133 3/4, 133 7/8, 134, 134 1/8, 134 1/4, 134 3/8, 134 1/2, 134 5/8, 134 3/4, 134 7/8, 135, 135 1/8, 135 1/4, 135 3/8, 135 1/2, 135 5/8, 135 3/4, 135 7/8, 136, 136 1/8, 136 1/4, 136 3/8, 136 1/2, 136 5/8, 136 3/4, 136 7/8, 137, 137 1/8, 137 1/4, 137 3/8, 137 1/2, 137 5/8, 137 3/4, 137 7/8, 138, 138 1/8, 138 1/4, 138 3/8, 138 1/2, 138 5/8, 138 3/4, 138 7/8, 139, 139 1/8, 139 1/4, 139 3/8, 139 1/2, 139 5/8, 139 3/4, 139 7/8, 140, 140 1/8, 140 1/4, 140 3/8, 140 1/2, 140 5/8, 140 3/4, 140 7/8, 141, 141 1/8, 141 1/4, 141 3/8, 141 1/2, 141 5/8, 141 3/4, 141 7/8, 142, 142 1/8, 142 1/4, 142 3/8, 142 1/2, 142 5/8, 142 3/4, 142 7/8, 143, 143 1/8, 143 1/4, 143 3/8, 143 1/2, 143 5/8, 143 3/4, 143 7/8, 144, 144 1/8, 144 1/4, 144 3/8, 144 1/2, 144 5/8, 144 3/4, 144 7/8, 145, 145 1/8, 145 1/4, 145 3/8, 145 1/2, 145 5/8, 145 3/4, 145 7/8, 146, 146 1/8, 146 1/4, 146 3/8, 146 1/2, 146 5/8, 146 3/4, 146 7/8, 147, 147 1/8, 147 1/4, 147 3/8, 147 1/2, 147 5/8, 147 3/4, 147 7/8, 148, 148 1/8, 148 1/4, 148 3/8, 148 1/2, 148 5/8, 148 3/4, 148 7/8, 149, 149 1/8, 149 1/4, 149 3/8, 149 1/2, 149 5/8, 149 3/4, 149 7/8, 150, 150 1/8, 150 1/4, 150 3/8, 150 1/2, 150 5/8, 150 3/4, 150 7/8, 151, 151 1/8, 151

REVISONS		DATE	APPROVED
SYN	ZONE		
B			

RELEASED TO PRODUCTION ECN# HKS85

PART NUMBER SYSTEM

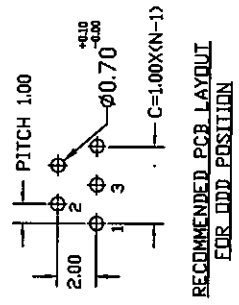
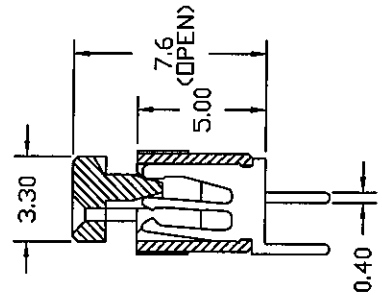
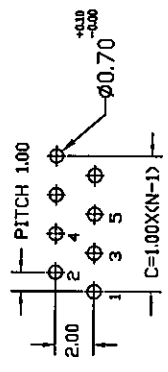
C007-10X-XXX-X X 0 X

FPC SERIES
 FLEXPRINT
 THK=0.3MM
 PITCH
 B : 1.00 MM
 E : 1.25 MM
 NO. OF WAYS
 N : SEE TABLE I

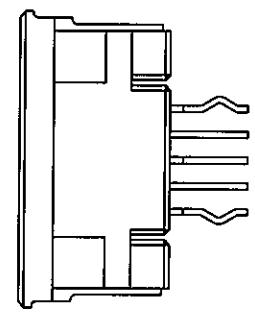
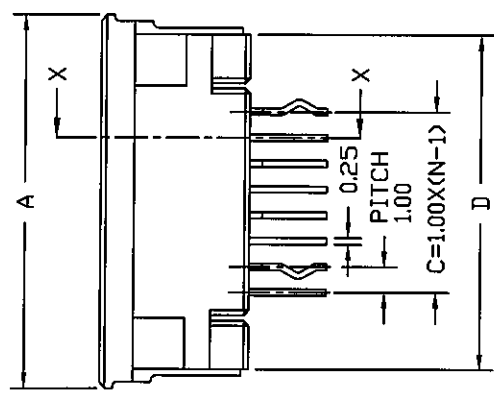
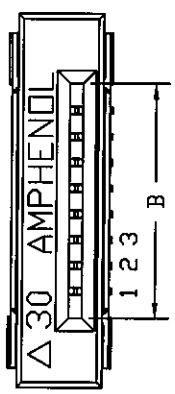
TERMINATIONS
 -0X01 : DIP SOLDER PIN, STRAIGHT
 -1X01 : DIP SOLDER PIN, RIGHT ANGLED
 -0X02 : SMT PIN, RIGHT ANGLED
 -1X02 : SMT PIN, STRAIGHT

CONTACT PLATING
 0 : TIN/LEAD
 1 : GOLD FLASH

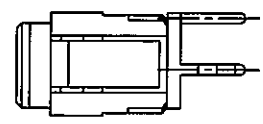
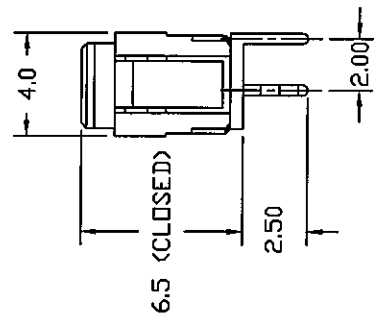
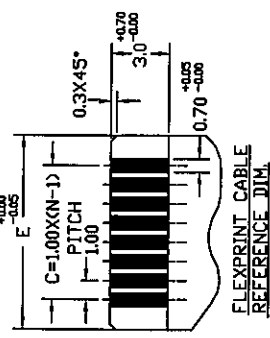
VARIATION



CONTACT CONFIGURATION FOR EVEN POSITION



CONTACT CONFIGURATION FOR ODD POSITION



-TABLE I-

PART NUMBERS	NO. OF WAYS (N)	A	B	C	D	E
C007-10B-005-0001	5	11.50	6.10	4.00	10.00	6.10
C007-10B-008-0001	8	14.50	9.10	7.00	13.00	9.10
C007-10B-010-0001	10	16.50	11.10	9.00	15.00	11.10
C007-10B-012-0001	12	18.50	13.10	11.00	17.00	13.10
C007-10B-014-0001	14	20.50	15.10	13.00	19.00	15.10
C007-10B-016-0001	16	22.50	17.10	15.00	21.00	17.10
C007-10B-017-0001	17	23.50	18.10	16.00	22.00	18.10
C007-10B-018-0001	18	24.50	19.10	17.00	23.00	19.10
C007-10B-020-0001	20	26.50	21.10	19.00	25.00	21.10
C007-10B-021-0001	21	27.50	22.10	20.00	26.00	22.10
C007-10B-022-0001	22	28.50	23.10	21.00	27.00	23.10
C007-10B-024-0001	24	30.50	25.10	23.00	29.00	25.10
C007-10B-025-0001	25	31.50	26.10	24.00	30.00	26.10
C007-10B-026-0001	26	32.50	27.10	25.00	31.00	27.10
C007-10B-030-0001	30	36.50	31.10	29.00	35.00	31.10

* PENDING

UNLESS OTHERWISE SPECIFIED TOLERANCES U.S. METRIC

X +/- .015
 XX +/- .010
 XXX +/- .005
 ANGLES +/- 1°

FINISHES: 1
 SEE TABLE I

REMOVE SHARP EDGES

DIMENSIONS: U.S. INCHES, MM

APPROVAL: DRAWN Y.M. LEE, CHECKED H.M. LEE, APPR. [Signature]

DATE: [Blank]

Amphenol
 Approved East Asia Limited Manufacturing Operation

TITLE: FPC, STRAIGHT DIP SOLDER PIN

SIZE DRAWING NO. B C007-10B-XXX-0X01

SCALE: NONE

SHEET 1 OF 1

The dimensions, tolerances, finishes, orientations, and locations shown on this drawing are subject to change without notice. The user is advised to check the latest revision of this drawing for any changes. The user is also advised to check the latest revision of the drawing for any changes. The user is also advised to check the latest revision of the drawing for any changes.

Компания «Океан Электроники» предлагает заключение долгосрочных отношений при поставках импортных электронных компонентов на взаимовыгодных условиях!

Наши преимущества:

- Поставка оригинальных импортных электронных компонентов напрямую с производств Америки, Европы и Азии, а так же с крупнейших складов мира;
- Широкая линейка поставок активных и пассивных импортных электронных компонентов (более 30 млн. наименований);
- Поставка сложных, дефицитных, либо снятых с производства позиций;
- Оперативные сроки поставки под заказ (от 5 рабочих дней);
- Экспресс доставка в любую точку России;
- Помощь Конструкторского Отдела и консультации квалифицированных инженеров;
- Техническая поддержка проекта, помощь в подборе аналогов, поставка прототипов;
- Поставка электронных компонентов под контролем ВП;
- Система менеджмента качества сертифицирована по Международному стандарту ISO 9001;
- При необходимости вся продукция военного и аэрокосмического назначения проходит испытания и сертификацию в лаборатории (по согласованию с заказчиком);
- Поставка специализированных компонентов военного и аэрокосмического уровня качества (Xilinx, Altera, Analog Devices, Intersil, Interpoint, Microsemi, Actel, Aeroflex, Peregrine, VPT, Syfer, Eurofarad, Texas Instruments, MS Kennedy, Miteq, Cobham, E2V, MA-COM, Hittite, Mini-Circuits, General Dynamics и др.);

Компания «Океан Электроники» является официальным дистрибьютором и эксклюзивным представителем в России одного из крупнейших производителей разъемов военного и аэрокосмического назначения «JONHON», а так же официальным дистрибьютором и эксклюзивным представителем в России производителя высокотехнологичных и надежных решений для передачи СВЧ сигналов «FORSTAR».



JONHON

«JONHON» (основан в 1970 г.)

Разъемы специального, военного и аэрокосмического назначения:

(Применяются в военной, авиационной, аэрокосмической, морской, железнодорожной, горно- и нефтедобывающей отраслях промышленности)

«FORSTAR» (основан в 1998 г.)

ВЧ соединители, коаксиальные кабели,
кабельные сборки и микроволновые компоненты:

(Применяются в телекоммуникациях гражданского и специального назначения, в средствах связи, РЛС, а так же военной, авиационной и аэрокосмической отраслях промышленности).



Телефон: 8 (812) 309-75-97 (многоканальный)

Факс: 8 (812) 320-03-32

Электронная почта: ocean@oceanchips.ru

Web: <http://oceanchips.ru/>

Адрес: 198099, г. Санкт-Петербург, ул. Калинина, д. 2, корп. 4, лит. А