

THIS DRAWING IS UNPUBLISHED. RELEASED FOR PUBLICATION AUG ,2006.  
 © COPYRIGHT - BY TYCO ELECTRONICS CORPORATION. ALL RIGHTS RESERVED.

| LOC | DIST | REVISIONS |     |                           |         |     |      |
|-----|------|-----------|-----|---------------------------|---------|-----|------|
| DW  |      | P         | LTR | DESCRIPTION               | DATE    | DWN | APVD |
|     |      | G         |     | REVISED PER ECR-16-003830 | 14MAR16 | FL  | SY   |

| WEIGHT(g) | PCI-E COMPLIANCE | HOUSING MATERIAL | DIM. L      | DIM. E | DIM. D      | DIM. C      | DIM. B | DIM. A | POS. | HOUSING COLOR | MIN. GOLD THICKNESS | PART NUMBER |
|-----------|------------------|------------------|-------------|--------|-------------|-------------|--------|--------|------|---------------|---------------------|-------------|
| 8.7       | GEN II & GEN III | PA9T             | 2.30        | 71.35  | 70          | 73.15       | 89     | 71.65  | 164  | BLACK         | 15u"                | 4-1734774-8 |
| 5.45      |                  |                  |             |        |             |             |        |        |      | WHITE         | G/F                 | 4-1734774-7 |
| 3.85      |                  |                  |             | BLACK  | 15u"        | 4-1734774-6 |        |        |      |               |                     |             |
| 2.55      |                  |                  |             | WHITE  | G/F         | 4-1734774-5 |        |        |      |               |                     |             |
| 8.7       |                  |                  |             | BLACK  | 15u"        | 4-1734774-4 |        |        |      |               |                     |             |
|           |                  |                  |             | WHITE  | G/F         | 4-1734774-3 |        |        |      |               |                     |             |
| 5.45      |                  |                  |             | BLACK  | 15u"        | 4-1734774-2 |        |        |      |               |                     |             |
|           |                  |                  |             | WHITE  | G/F         | 4-1734774-1 |        |        |      |               |                     |             |
| 3.85      |                  |                  |             | BLACK  | 15u"        | 3-1734774-6 |        |        |      |               |                     |             |
|           |                  |                  |             | WHITE  | G/F         | 3-1734774-5 |        |        |      |               |                     |             |
| 2.55      |                  |                  |             | BLACK  | 15u"        | 3-1734774-4 |        |        |      |               |                     |             |
|           |                  |                  |             | WHITE  | G/F         | 3-1734774-3 |        |        |      |               |                     |             |
| 8.7       |                  |                  | BLACK       | 15u"   | 3-1734774-2 |             |        |        |      |               |                     |             |
|           |                  |                  | WHITE       | G/F    | 3-1734774-1 |             |        |        |      |               |                     |             |
| 5.45      |                  |                  | BLACK       | 15u"   | 3-1734774-0 |             |        |        |      |               |                     |             |
|           |                  |                  | WHITE       | G/F    | 2-1734774-9 |             |        |        |      |               |                     |             |
| 3.85      |                  |                  | BLACK       | 15u"   | 2-1734774-8 |             |        |        |      |               |                     |             |
|           |                  |                  | WHITE       | G/F    | 2-1734774-7 |             |        |        |      |               |                     |             |
| 2.55      |                  |                  | BLACK       | 15u"   | 2-1734774-6 |             |        |        |      |               |                     |             |
|           |                  |                  | WHITE       | G/F    | 2-1734774-5 |             |        |        |      |               |                     |             |
| 3.10      |                  |                  | BLACK       | 15u"   | 2-1734774-4 |             |        |        |      |               |                     |             |
|           |                  |                  | WHITE       | G/F    | 2-1734774-3 |             |        |        |      |               |                     |             |
|           |                  |                  | BLACK       | 15u"   | 2-1734774-2 |             |        |        |      |               |                     |             |
|           |                  |                  | WHITE       | G/F    | 2-1734774-1 |             |        |        |      |               |                     |             |
|           | BLACK            | 15u"             | 2-1734774-0 |        |             |             |        |        |      |               |                     |             |
|           | WHITE            | G/F              | 1-1734774-9 |        |             |             |        |        |      |               |                     |             |
|           | BLACK            | 15u"             | 1-1734774-8 |        |             |             |        |        |      |               |                     |             |
|           | WHITE            | G/F              | 1-1734774-7 |        |             |             |        |        |      |               |                     |             |
|           | BLACK            | 15u"             | 1-1734774-6 |        |             |             |        |        |      |               |                     |             |
|           | WHITE            | G/F              | 1-1734774-5 |        |             |             |        |        |      |               |                     |             |
|           | BLACK            | 15u"             | 1-1734774-4 |        |             |             |        |        |      |               |                     |             |
|           | WHITE            | G/F              | 1-1734774-3 |        |             |             |        |        |      |               |                     |             |

| WEIGHT(g) | PCI-E COMPLIANCE | HOUSING MATERIAL | DIM. L      | DIM. E | DIM. D      | DIM. C      | DIM. B | DIM. A | POS. | HOUSING COLOR | MIN. GOLD THICKNESS | PART NUMBER |
|-----------|------------------|------------------|-------------|--------|-------------|-------------|--------|--------|------|---------------|---------------------|-------------|
| 8.8       | GEN II           | PA46             | 2.30        | 71.35  | 70          | 73.15       | 89     | 71.65  | 164  | BLACK         | 15u"                | 9-1734774-7 |
| 5.5       |                  |                  |             |        |             |             |        |        |      | WHITE         | G/F                 | 9-1734774-6 |
| 3.9       |                  |                  |             | BLACK  | 15u"        | 9-1734774-5 |        |        |      |               |                     |             |
| 2.55      |                  |                  |             | WHITE  | G/F         | 9-1734774-4 |        |        |      |               |                     |             |
| 8.8       |                  |                  |             | BLACK  | 15u"        | 9-1734774-3 |        |        |      |               |                     |             |
|           |                  |                  |             | WHITE  | G/F         | 9-1734774-2 |        |        |      |               |                     |             |
| 5.45      |                  |                  |             | BLACK  | 15u"        | 9-1734774-1 |        |        |      |               |                     |             |
|           |                  |                  |             | WHITE  | G/F         | 9-1734774-0 |        |        |      |               |                     |             |
| 3.9       |                  |                  |             | BLACK  | 15u"        | 8-1734774-9 |        |        |      |               |                     |             |
|           |                  |                  |             | WHITE  | G/F         | 8-1734774-8 |        |        |      |               |                     |             |
| 2.55      |                  |                  |             | BLACK  | 15u"        | 8-1734774-7 |        |        |      |               |                     |             |
|           |                  |                  |             | WHITE  | G/F         | 8-1734774-6 |        |        |      |               |                     |             |
| 8.8       |                  |                  | BLACK       | 15u"   | 8-1734774-5 |             |        |        |      |               |                     |             |
|           |                  |                  | WHITE       | G/F    | 8-1734774-4 |             |        |        |      |               |                     |             |
| 5.45      |                  |                  | BLACK       | 15u"   | 8-1734774-3 |             |        |        |      |               |                     |             |
|           |                  |                  | WHITE       | G/F    | 8-1734774-2 |             |        |        |      |               |                     |             |
| 3.9       |                  |                  | BLACK       | 15u"   | 8-1734774-1 |             |        |        |      |               |                     |             |
|           |                  |                  | WHITE       | G/F    | 8-1734774-0 |             |        |        |      |               |                     |             |
| 2.55      |                  |                  | BLACK       | 15u"   | 7-1734774-9 |             |        |        |      |               |                     |             |
|           |                  |                  | WHITE       | G/F    | 7-1734774-8 |             |        |        |      |               |                     |             |
| 8.8       |                  |                  | BLACK       | 15u"   | 7-1734774-7 |             |        |        |      |               |                     |             |
|           |                  |                  | WHITE       | G/F    | 7-1734774-6 |             |        |        |      |               |                     |             |
| 5.45      |                  |                  | BLACK       | 15u"   | 7-1734774-5 |             |        |        |      |               |                     |             |
|           |                  |                  | WHITE       | G/F    | 7-1734774-4 |             |        |        |      |               |                     |             |
| 3.9       | BLACK            | 15u"             | 7-1734774-3 |        |             |             |        |        |      |               |                     |             |
|           | WHITE            | G/F              | 7-1734774-2 |        |             |             |        |        |      |               |                     |             |
| 2.55      | BLACK            | 15u"             | 7-1734774-1 |        |             |             |        |        |      |               |                     |             |
|           | WHITE            | G/F              | 7-1734774-0 |        |             |             |        |        |      |               |                     |             |
| 3.10      | BLACK            | 15u"             | 6-1734774-9 |        |             |             |        |        |      |               |                     |             |
|           | WHITE            | G/F              | 6-1734774-8 |        |             |             |        |        |      |               |                     |             |
|           | BLACK            | 15u"             | 6-1734774-7 |        |             |             |        |        |      |               |                     |             |
|           | WHITE            | G/F              | 6-1734774-6 |        |             |             |        |        |      |               |                     |             |
|           | BLACK            | 15u"             | 6-1734774-5 |        |             |             |        |        |      |               |                     |             |
|           | WHITE            | G/F              | 6-1734774-4 |        |             |             |        |        |      |               |                     |             |
|           | BLACK            | 15u"             | 6-1734774-3 |        |             |             |        |        |      |               |                     |             |
|           | WHITE            | G/F              | 6-1734774-2 |        |             |             |        |        |      |               |                     |             |
|           | BLACK            | 15u"             | 6-1734774-1 |        |             |             |        |        |      |               |                     |             |
|           | WHITE            | G/F              | 6-1734774-0 |        |             |             |        |        |      |               |                     |             |
|           | BLACK            | 15u"             | 5-1734774-9 |        |             |             |        |        |      |               |                     |             |
|           | WHITE            | G/F              | 5-1734774-8 |        |             |             |        |        |      |               |                     |             |

|  |  |                                 |           |           |
|--|--|---------------------------------|-----------|-----------|
| THIS DRAWING IS A CONTROLLED DOCUMENT. |  | DWN                             | B. HSING  | 15JUL2009 |
| DIMENSIONS: MM                         |  | CHK                             | S. CHIEN  | 15JUL2009 |
| TOLERANCES UNLESS OTHERWISE SPECIFIED: |  | APVD                            | W. KODAMA | 15JUL2009 |
| 0 PLC ± -                              |  | NAME                            |           |           |
| 1 PLC ± 0.3                            |  | PCI EXPRESS CARD EDGE CONNECTOR |           |           |
| 2 PLC ± 0.2                            |  | VERTICAL, DIP TYPE, 3GIO        |           |           |
| 3 PLC ± 0.15                           |  | SIZE                            |           |           |
| 4 PLC ± -                              |  | CAGE CODE                       |           |           |
| ANGLES ± 3'                            |  | DRAWING NO                      |           |           |
| MATERIAL                               |  | RESTRICTED TO                   |           |           |
| FINISH                                 |  | A3 00779 C=1734774              |           |           |
| WEIGHT                                 |  | SCALE                           |           |           |
| CUSTOMER DRAWING                       |  | SHEET 1 OF 5                    |           |           |
|  |  | REV G                           |           |           |

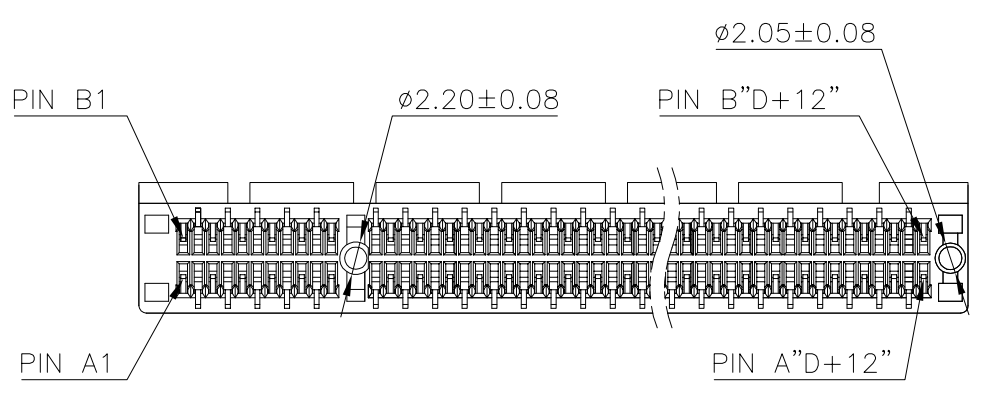
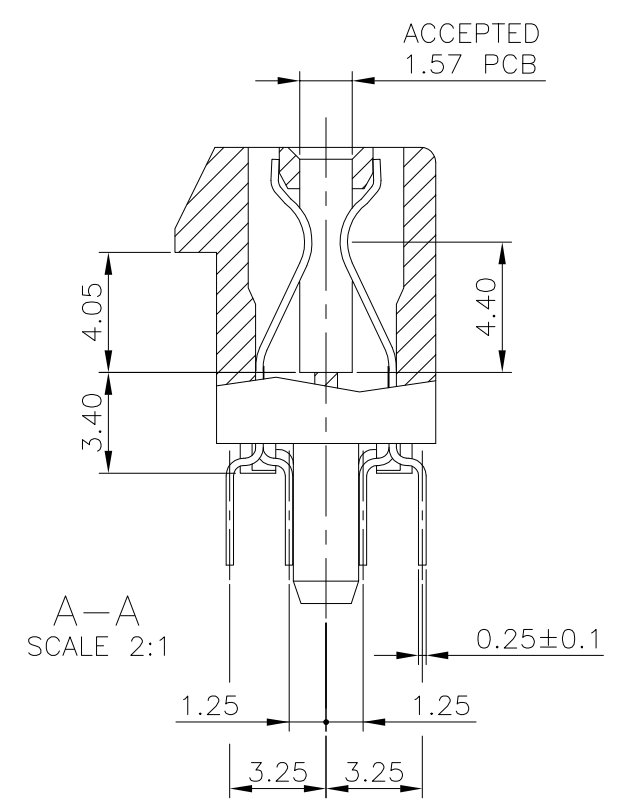
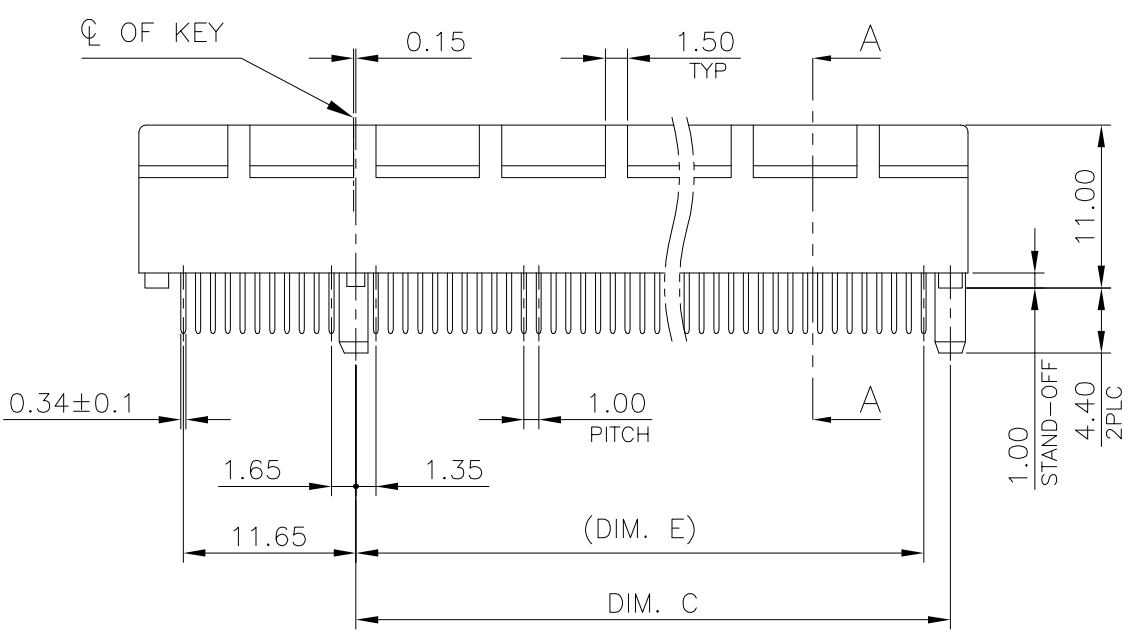
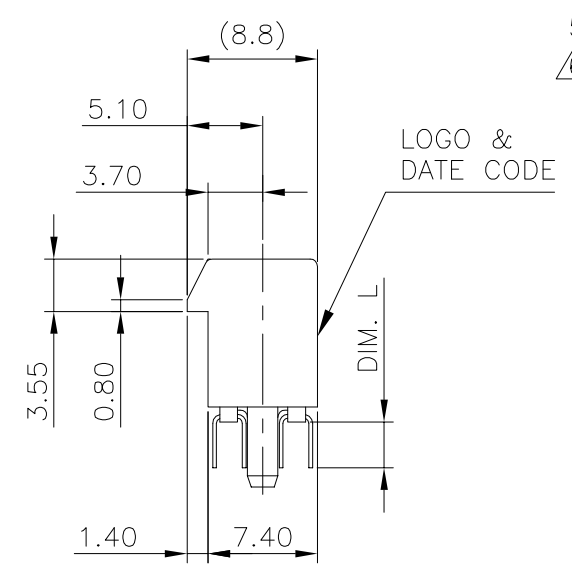
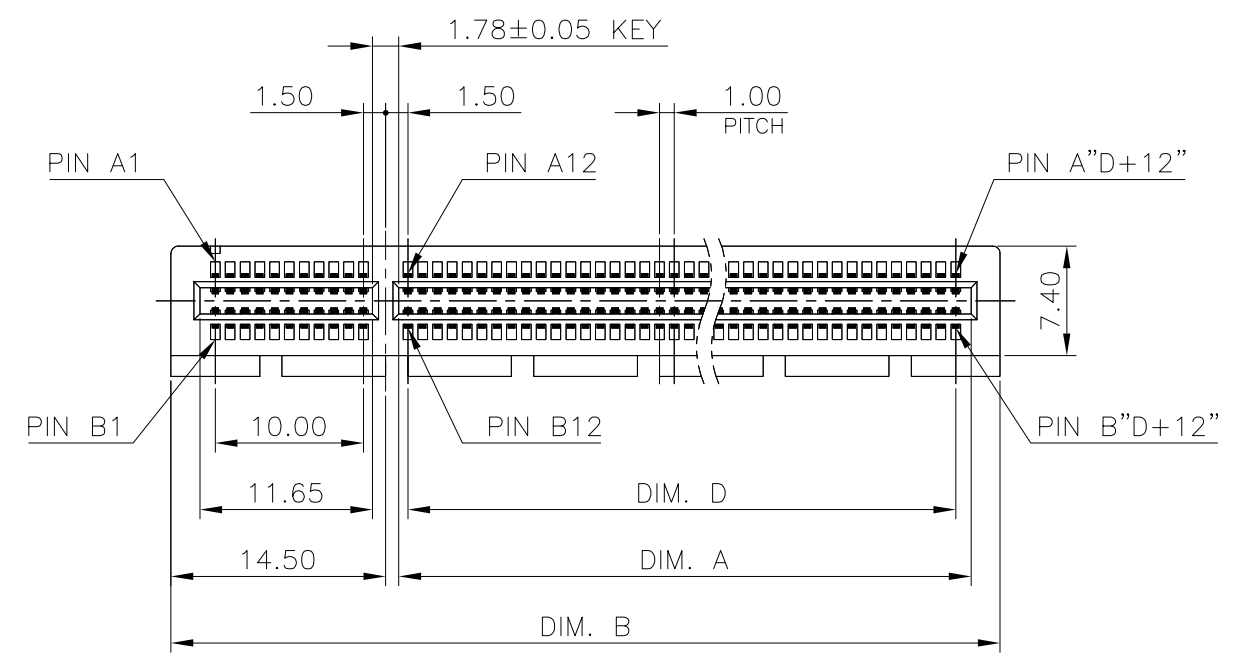
THIS DRAWING IS UNPUBLISHED. RELEASED FOR PUBLICATION AUG ,2006.  
 © COPYRIGHT BY TYCO ELECTRONICS CORPORATION. ALL RIGHTS RESERVED.

| LOC |     | DIST        |  | REVISIONS |      |     |      |  |
|-----|-----|-------------|--|-----------|------|-----|------|--|
| P   | LTR | DESCRIPTION |  |           | DATE | DWN | APVD |  |
|     |     | SEE SHEET 1 |  |           |      |     |      |  |

- NOTES:
- MATERIAL:
    - HOUSING: 1.PA46 WITH 40% G.F, UL94 V-0, COLOR: SEE TABLE.  
2.PA9T WITH 30% GF, UL94 V-0, COLOR: SEE TABLE.
    - CONTACT: PHOSPHOR BRONZE
  - FINISH:
 

CONTACT: (SEE TABLE) GOLD PLATING ON CONTACT AREA.  
2.54um [100u"] MIN. MATTE-TIN PALTING ON SOLDER TAIL AREA.  
1.27um [50u"] MIN. NICKEL UNDERPLATING OVERALL.
  - CONNECTOR HAS MET THE REQUIREMENTS PER PCI EXPRESS GEN 2 TECHNICAL DOCUMENT.
  - WEIGHT:
 

36 POS.: 2.55 GRAMS; 64 POS.: 3.90 GRAMS  
98 POS.: 5.50 GRAMS; 164 POS.: 8.80 GRAMS
  - WAVE SOLDER CAPABLE TO 265°C PER TEST SPEC. 109-202 CONDITION B.  
 ⚠️ REFLOW SOLDER CAPABLE TO 260°C PER TEST SPEC. 109-201 CONDITION B.  
 (REFLOW SOLDERING PLEASE USE PN : 1734774-1 TO 4-1734774-8)



|  |          |                  |  |           |            |
|--|----------|------------------|--|-----------|------------|
| THIS DRAWING IS A CONTROLLED DOCUMENT. |          | DWN              | TE Connectivity  |           |            |
| DIMENSIONS: MM                         |          | CHK              | NAME   |           |            |
| TOLERANCES UNLESS OTHERWISE SPECIFIED: |          | APVD             | PCI EXPRESS CARD EDGE CONNECTOR VERTICAL, DIP TYPE, 3GIO |           |            |
| 0 PLC ± -                              |          | PRODUCT SPEC     | SIZE   | CAGE CODE | DRAWING NO |
| 1 PLC ± 0.3                            |          | APPLICATION SPEC | A3   | 00779     | 1734774    |
| 2 PLC ± 0.2                            |          |                  | RESTRICTED TO  |           |            |
| 3 PLC ± 0.15                           |          |                  |  |           |            |
| 4 PLC ± -                              |          |                  |  |           |            |
| ANGLES ± 3'                            |          |                  |  |           |            |
| MATERIAL                               | FINISH   | WEIGHT           | CUSTOMER DRAWING   |           |            |
| SEE NOTE                               | SEE NOTE | SEE NOTE 4       | SCALE SHEET 2 OF 5 REV G                                 |           |            |

4

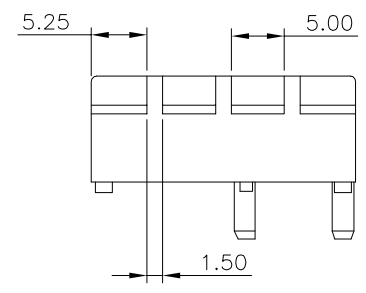
3

2

1

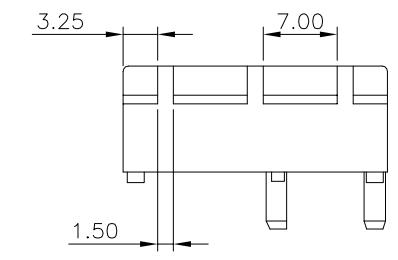
THIS DRAWING IS UNPUBLISHED. RELEASED FOR PUBLICATION AUG ,2006.  
 © COPYRIGHT BY TYCO ELECTRONICS CORPORATION. ALL RIGHTS RESERVED.

| LOC | DIST | REVISIONS    |      |     |      |
|-----|------|--------------|------|-----|------|
| P   | LTR  | DESCRIPTION  | DATE | DWN | APVD |
| DW  | /    | SEE SHEET 1. |      |     |      |

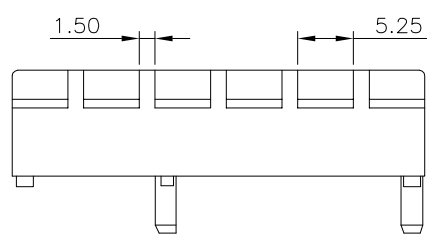


PN X-1 TO 4-X-8  
(PA9T TYPE)

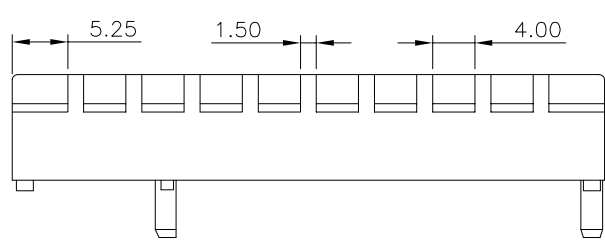
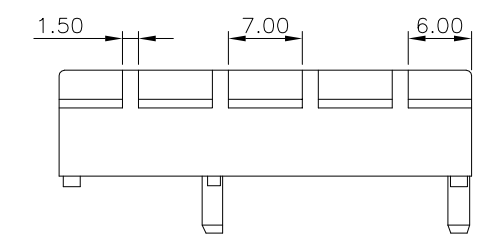
36 POS.



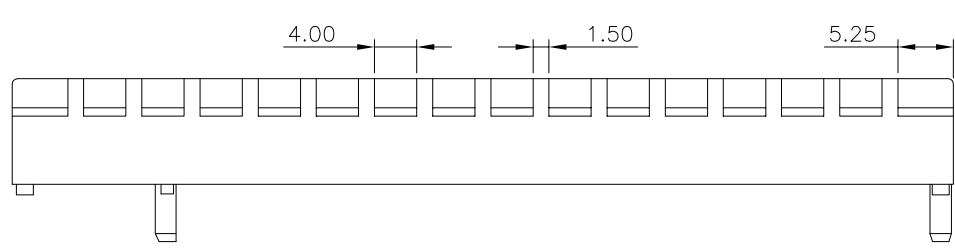
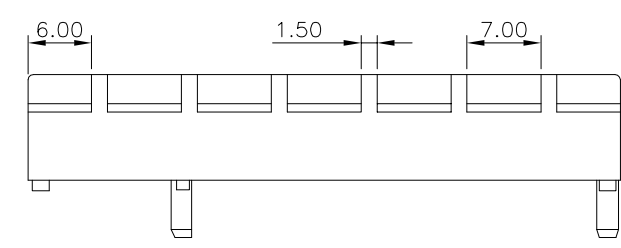
PN 5-X-0 TO 9-X-7  
(PA46 TYPE)



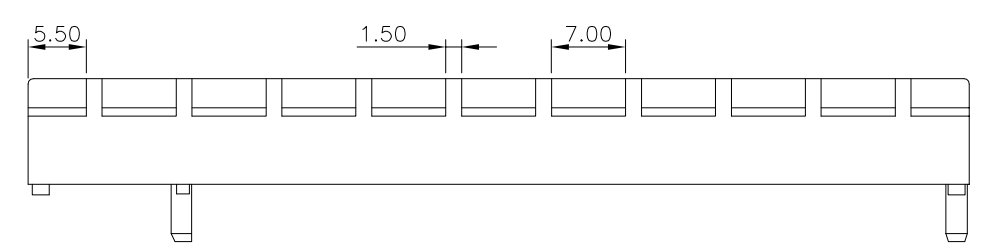
64 POS.



98 POS.



164 POS.



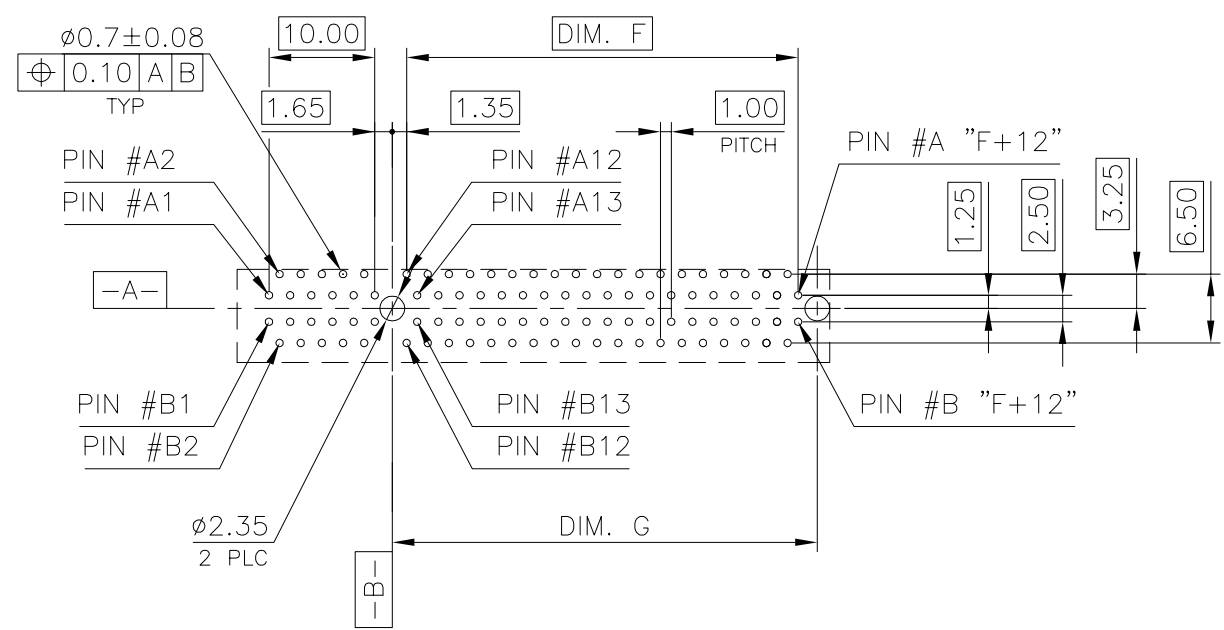
|  |  |              |  |       |           |            |               |
|--|--|--------------|--|-------|-----------|------------|---------------|
| THIS DRAWING IS A CONTROLLED DOCUMENT.   |  | DWN          | TE Connectivity<br>NAME<br>PCI EXPRESS CARD EDGE CONNECTOR<br>VERTICAL, DIP TYPE, 3GIO |       |           |            |               |
| DIMENSIONS: MM   |  | CHK          |  |       |           |            |               |
| TOLERANCES UNLESS OTHERWISE SPECIFIED:   |  | APVD         |  |       |           |            |               |
| 0 PLC ± -<br>1 PLC ± 0.25<br>2 PLC ± 0.25<br>3 PLC ± 0.25<br>4 PLC ± -<br>ANGLES ± - |  | PRODUCT SPEC |  |       |           |            |               |
| MATERIAL   |  | FINISH       | APPLICATION SPEC   | SIZE  | CAGE CODE | DRAWING NO | RESTRICTED TO |
|  |  |              | WEIGHT   | A3    | 00779     | C-1734774  |               |
| CUSTOMER DRAWING   |  |              | SCALE  | SHEET | 3 OF 5    | REV        | G             |

THIS DRAWING IS UNPUBLISHED. RELEASED FOR PUBLICATION AUG ,2006.  
 © COPYRIGHT BY TYCO ELECTRONICS CORPORATION. ALL RIGHTS RESERVED.

| LOC | DIST | REVISIONS    |      |     |      |
|-----|------|--------------|------|-----|------|
| P   | LTR  | DESCRIPTION  | DATE | DWN | APVD |
|     |      | SEE SHEET 1. |      |     |      |

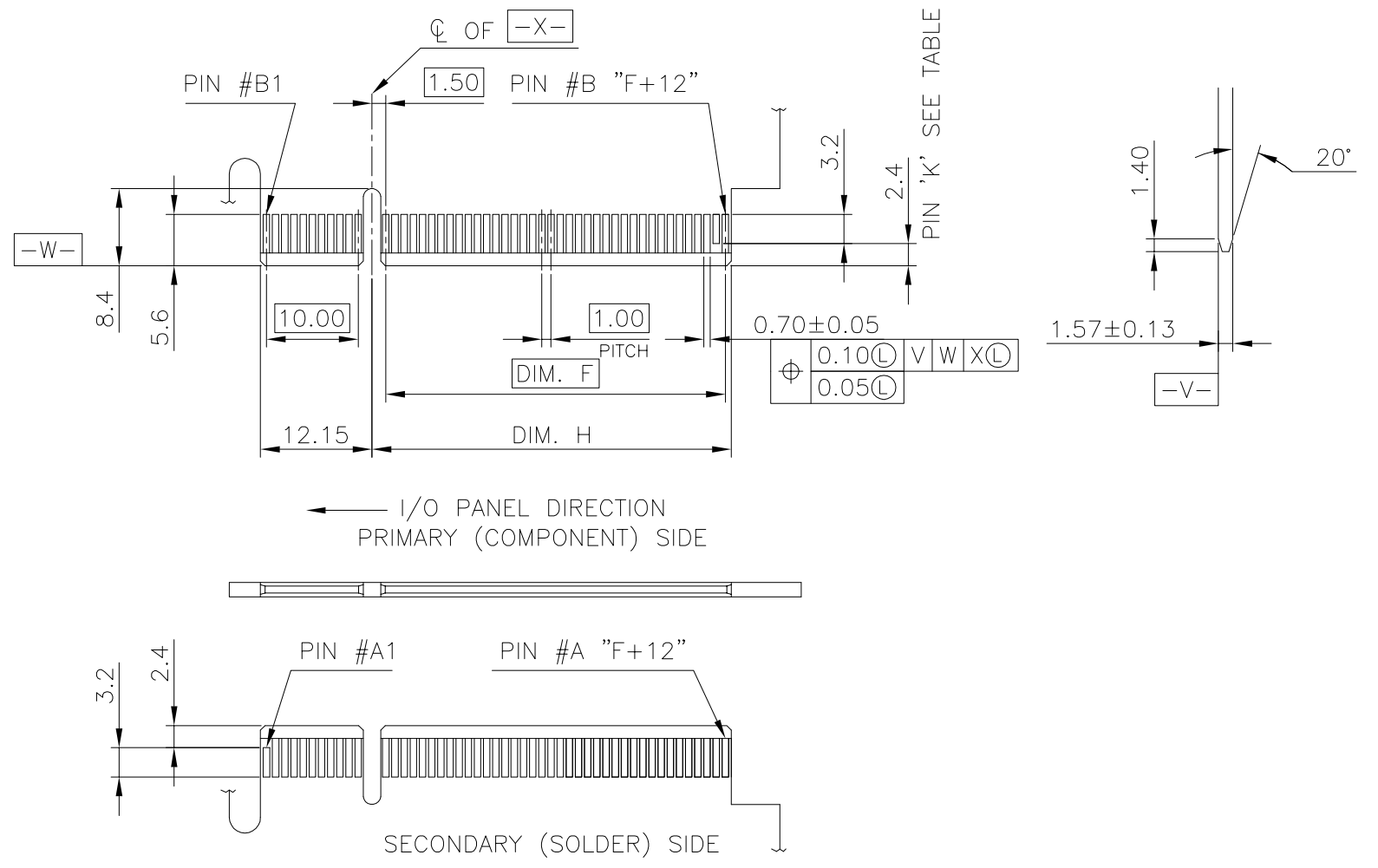
ADD-IN CARD EDGE-FINGER DIMENSIONS

NOTES:  
 CHAMFER EDGE MUST BE FREE OF CUTTING BURRS



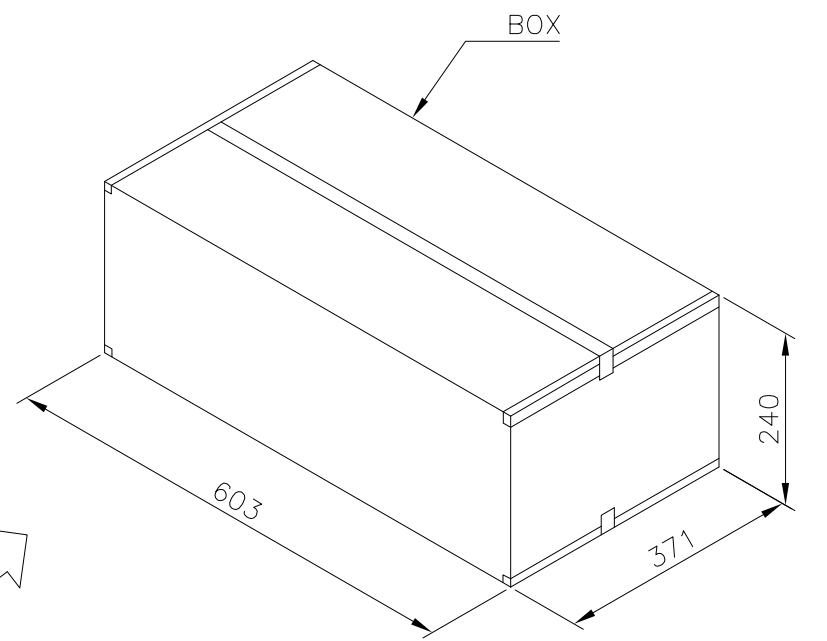
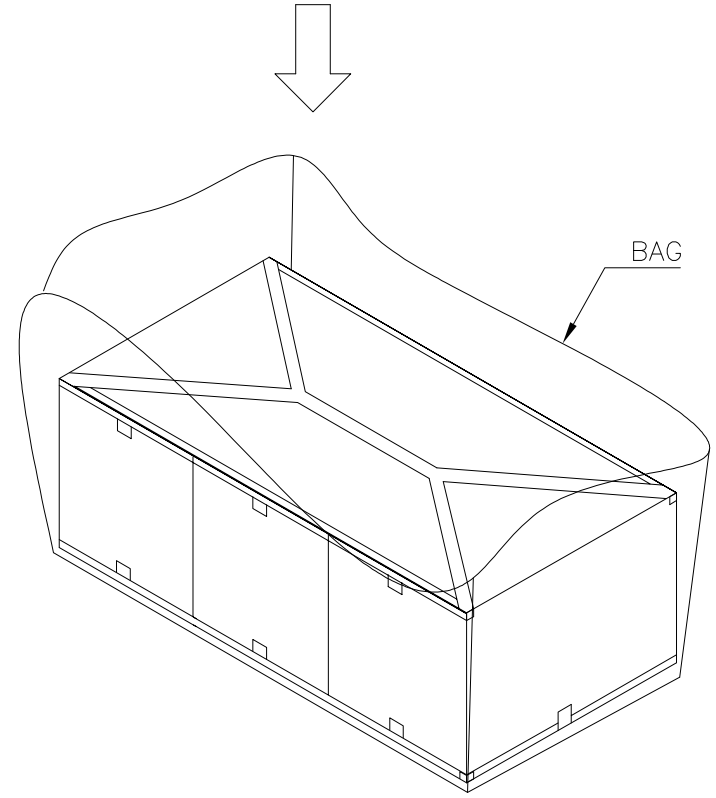
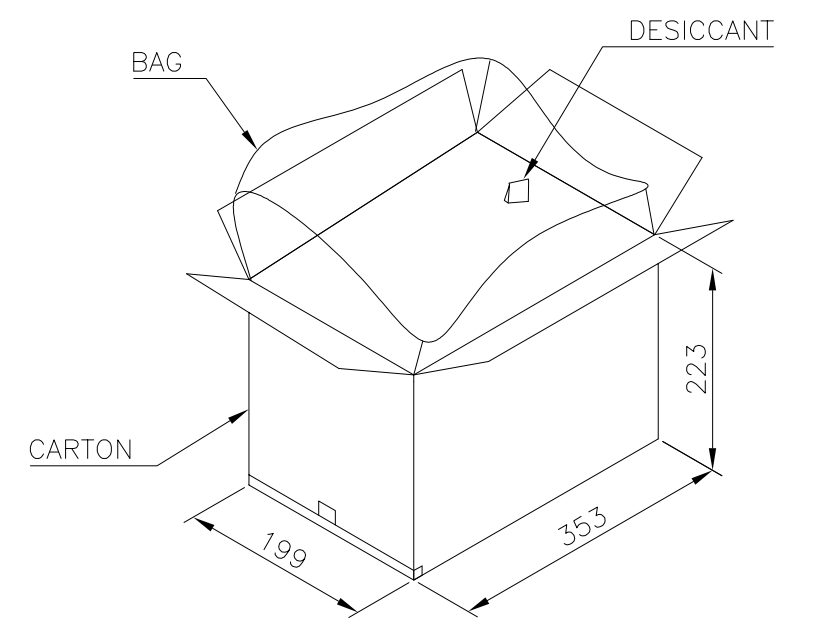
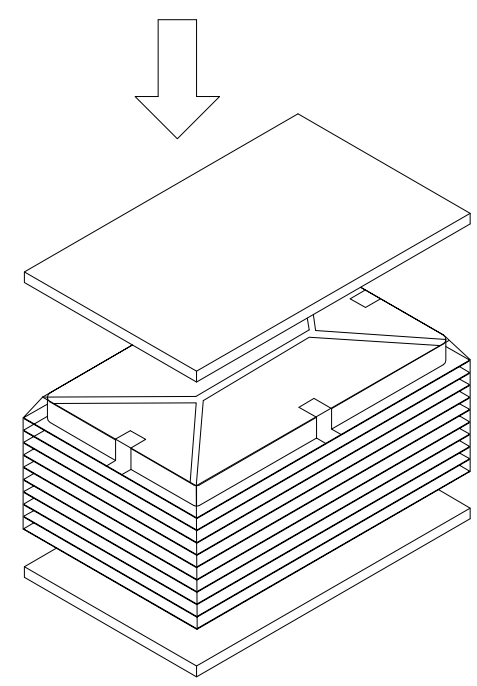
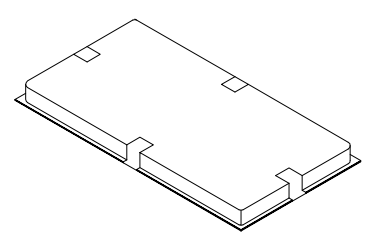
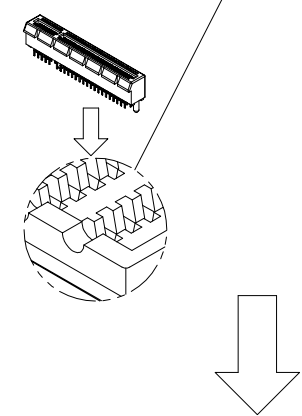
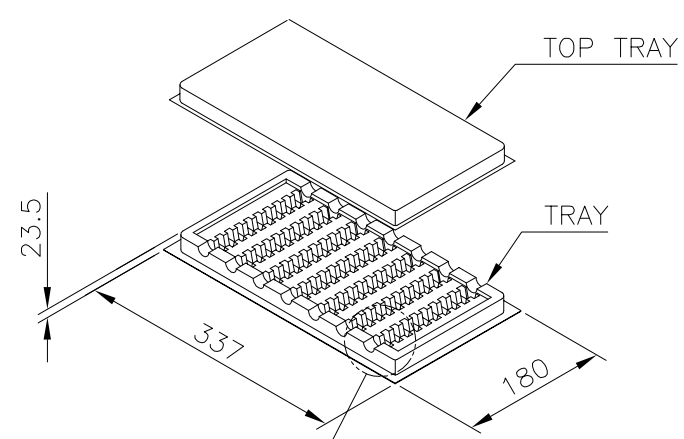
RECOMMENDED PCB LAYOUT

TOLERANCE: ±0.05  
 FOR DIM.L=3.1mm PCB THICKNESS: 2.4mm  
 FOR DIM.L=2.3mm PCB THICKNESS: 1.6mm



| POS. | DIM. F | DIM. G | DIM. H | "K"                    |
|------|--------|--------|--------|------------------------|
| 164  | 70.0   | 73.15  | 72.15  | A1, B17, B31, B48, B81 |
| 98   | 37.0   | 40.15  | 39.15  | A1, B17, B31, B48      |
| 64   | 20.0   | 23.15  | 22.15  | A1, B17, B31           |
| 36   | 6.0    | 9.15   | 8.15   | A1, B17                |

|   |  |                  |  |  |  |
|---|--|------------------|--|--|--|
| THIS DRAWING IS A CONTROLLED DOCUMENT.                                      |  | DWN              |  |  |  |
| DIMENSIONS: MM  |  | CHK              |  |  |  |
| TOLERANCES UNLESS OTHERWISE SPECIFIED:                                      |  | APVD             |  | NAME   |  |
| 0 PLC ± -<br>1 PLC ± -<br>2 PLC ± -<br>3 PLC ± -<br>4 PLC ± -<br>ANGLES ± - |  | PRODUCT SPEC     |  | PCI EXPRESS CARD EDGE CONNECTOR VERTICAL, DIP TYPE, 3GIO |  |
| MATERIAL  |  | FINISH           |  | SIZE CAGE CODE DRAWING NO RESTRICTED TO                  |  |
|   |  |                  |  | A3 00779 C=1734774                                       |  |
|   |  | WEIGHT           |  | SCALE SHEET 4 of 5 REV G                                 |  |
|   |  | CUSTOMER DRAWING |  |  |  |



- NOTES :
- MATERIAL :  
 TRAY : PVC, COLOR: TRANSPARENT.  
 CARTON: CORRUGATED FIBER  
 BOX: CORRUGATED FIBER
  - DIMENSION :  
 TRAY: SEE DRAWING  
 CARTON: SEE DRAWING  
 BOX : SEE DRAWING
  - QUANTITY : SEE TABLE
  - WEIGHT : SEE TABLE

| 10.2 Kg      | 8.2 Kg     | 30        | 10           | 3           | 900      | 164  |
|--------------|------------|-----------|--------------|-------------|----------|------|
| 9.0 Kg       | 7.0 Kg     | 40        | 10           | 3           | 1200     | 98   |
| 8.5 Kg       | 6.5 Kg     | 60        | 10           | 3           | 1800     | 64   |
| 7.6 Kg       | 5.6 Kg     | 70        | 10           | 3           | 2100     | 36   |
| GROSS WEIGHT | NET WEIGHT | PCS/ TRAY | TRAY/ CARTON | CARTON/ BOX | PCS/ BOX | POS. |

|  |  |                  |  |                                 |  |
|--|--|------------------|--|---------------------------------|--|
| THIS DRAWING IS A CONTROLLED DOCUMENT. |  | DWN              |  | TE Connectivity                 |  |
| DIMENSIONS: MM                         |  | CHK              |  |                                 |  |
| TOLERANCES UNLESS OTHERWISE SPECIFIED: |  | APVD             |  | NAME                            |  |
| 0 PLC ± -                              |  | PRODUCT SPEC     |  | PCI EXPRESS CARD EDGE CONNECTOR |  |
| 1 PLC ± -                              |  | APPLICATION SPEC |  | VERTICAL, DIP TYPE, 3GIO        |  |
| 2 PLC ± -                              |  | WEIGHT           |  | SIZE                            |  |
| 3 PLC ± -                              |  | CUSTOMER DRAWING |  | CAGE CODE                       |  |
| 4 PLC ± -                              |  | SCALE            |  | DRAWING NO                      |  |
| ANGLES ± -                             |  | SHEET            |  | RESTRICTED TO                   |  |
| MATERIAL                               |  | FINISH           |  | A3 00779 C=1734774              |  |
|  |  | REV              |  | G                               |  |

Компания «Океан Электроники» предлагает заключение долгосрочных отношений при поставках импортных электронных компонентов на взаимовыгодных условиях!

Наши преимущества:

- Поставка оригинальных импортных электронных компонентов напрямую с производств Америки, Европы и Азии, а так же с крупнейших складов мира;
- Широкая линейка поставок активных и пассивных импортных электронных компонентов (более 30 млн. наименований);
- Поставка сложных, дефицитных, либо снятых с производства позиций;
- Оперативные сроки поставки под заказ (от 5 рабочих дней);
- Экспресс доставка в любую точку России;
- Помощь Конструкторского Отдела и консультации квалифицированных инженеров;
- Техническая поддержка проекта, помощь в подборе аналогов, поставка прототипов;
- Поставка электронных компонентов под контролем ВП;
- Система менеджмента качества сертифицирована по Международному стандарту ISO 9001;
- При необходимости вся продукция военного и аэрокосмического назначения проходит испытания и сертификацию в лаборатории (по согласованию с заказчиком);
- Поставка специализированных компонентов военного и аэрокосмического уровня качества (Xilinx, Altera, Analog Devices, Intersil, Interpoint, Microsemi, Actel, Aeroflex, Peregrine, VPT, Syfer, Eurofarad, Texas Instruments, MS Kennedy, Miteq, Cobham, E2V, MA-COM, Hittite, Mini-Circuits, General Dynamics и др.);

Компания «Океан Электроники» является официальным дистрибьютором и эксклюзивным представителем в России одного из крупнейших производителей разъемов военного и аэрокосмического назначения «JONHON», а так же официальным дистрибьютором и эксклюзивным представителем в России производителя высокотехнологичных и надежных решений для передачи СВЧ сигналов «FORSTAR».



## JONHON

«JONHON» (основан в 1970 г.)

Разъемы специального, военного и аэрокосмического назначения:

(Применяются в военной, авиационной, аэрокосмической, морской, железнодорожной, горно- и нефтедобывающей отраслях промышленности)

«FORSTAR» (основан в 1998 г.)

ВЧ соединители, коаксиальные кабели, кабельные сборки и микроволновые компоненты:

(Применяются в телекоммуникациях гражданского и специального назначения, в средствах связи, РЛС, а так же военной, авиационной и аэрокосмической отраслях промышленности).



Телефон: 8 (812) 309-75-97 (многоканальный)

Факс: 8 (812) 320-03-32

Электронная почта: [ocean@oceanchips.ru](mailto:ocean@oceanchips.ru)

Web: <http://oceanchips.ru/>

Адрес: 198099, г. Санкт-Петербург, ул. Калинина, д. 2, корп. 4, лит. А