



ORIGINAL

This document is the property of Amphenol Corporation and is delivered on the express condition that is not to be disclosed, reproduced or used, in whole or in part, for manufacture or sale by anyone other than Amphenol Corporation without its prior consent, and that no right is granted to disclose or to use any information in this document.  
The marking on this product doesn't contain environmental hazardous materials per Material Specification 55-00259 for Sony GP compliant or per directive 2011/65/EU for RoHS compliant.

REVISIONS				
SYM	ECN No.	DESCRIPTION	DATE	APPROVED
A		RELEASE TO PRODUCTION	09/06/2011	Roger Tsai
B	NE-13041	REMOVED NYLON46/WITHOUT CAP OPTION	03/26/2013	Roger Tsai
C	NE-13180	ADDED PCB OPTION & LOGO NOTE	11/05/2013	Roger Tsai
D	NE-14011	MODIFIED 164 POS. PACKAGING	01/16/2014	Roger Tsai
E	NE-16005	ADD PCB OPTION & DIM /UPDATE TO MATTE TIN	01/21/2016	Arron Lin
F	NE-16224	ADDING WORDING (FIXTURE) DESCRIPTION	10/04/2016	Arron Lin
A1	NE-17289	CHANGE PACKAGE INNER MATERIAL TO VACUUM ALUMINUM BAG	11/21/2017	Roger Tsai



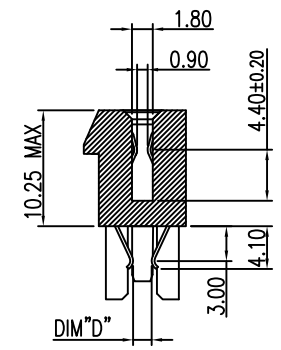
- NOTES:
- MATERIAL:  
HOUSING: HIGH TEMPERATURE THERMAL PLASTIC, UL94V-0, COLOR: BLACK.  
TERMINAL: COPPER ALLOY.
  - FINISH:  
TERMINAL:  
CONTACT AREA: SELECTED GOLD PLATING;  
SOLDERING AREA: MATTE TIN PLATING 100 μm THICKNESS MIN.;  
UNDER PLATING: NICKEL PLATING 50 μm THICKNESS MIN. OVERALL.
  - PRODUCT SPECIFICATION REFER TO : PS-7482.
  - TEST SUMMARY REFER TO : TS-7482-001.
  - PACKING IS PER AMTA PACKING SPECIFICATION PKS-0001.
  - THIS PRODUCT IS LEAD-FREE & RoHS COMPLIANT PRODUCT.

PART NO. G630HXXX2XXXEU

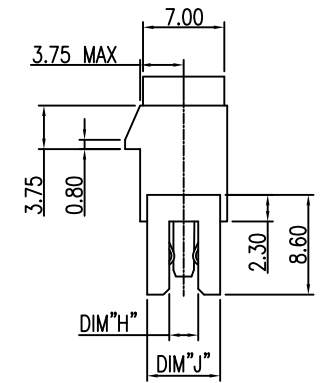
NO. OF POSITION	PCB THICKNESS/DIM D / DIM H
36: 36 POSITIONS	6: 2.08 MM / 1.60MM / 2.50MM
64: 64 POSITIONS	7: 2.30 MM / 1.90MM / 2.50MM
98: 98 POSITIONS	8: 1.57 MM / 1.20MM / 2.50MM (Fixture)
AA: 164 POSITIONS	A: 2.36 MM / 1.90MM / 2.80MM
CONTACT FINISH	B: 2.36 MM / 2.10MM / 2.80MM
0: GOLD FLASH	D: 1.57 MM / 1.20MM / 1.70MM
1: 15 μm GOLD	E: 1.83 MM / 1.60MM / 2.50MM
2: 30 μm GOLD	CAP OPTION
3: 10 μm GOLD	4: CAP

INSULATOR MATERIAL  
2: NYLON 9T

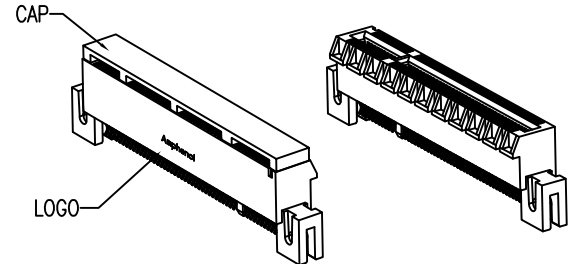
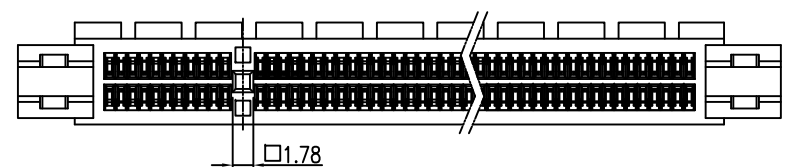
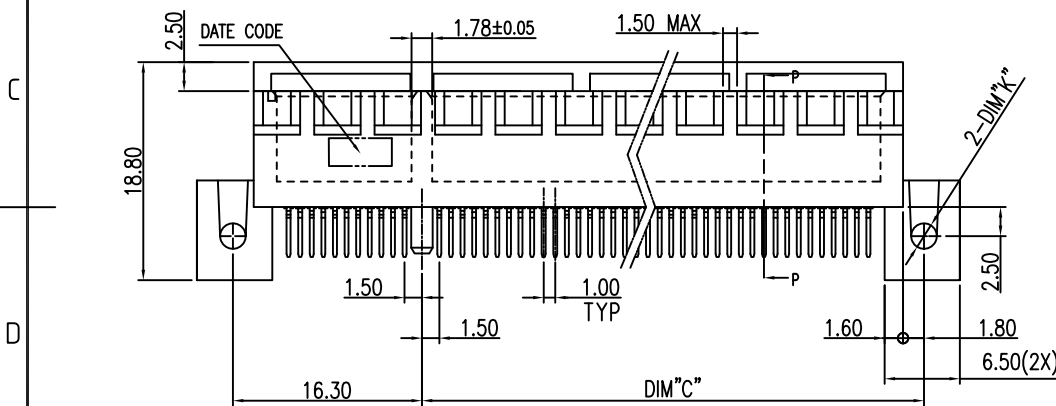
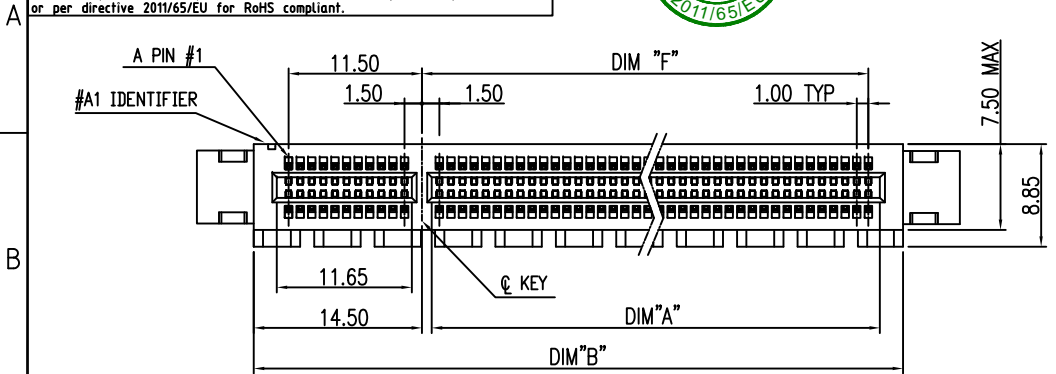
DIM "K"	DIM "J"	DIM "H"	DIM "D"	PCB THICKNESS
ø2.20	6.30	2.50	1.60	2.08 MM
ø2.20	6.30	2.50	1.90	2.30 MM
ø2.20	6.30	2.50	1.20	1.57 MM
ø2.20	6.30	2.80	1.90	2.36±0.24 MM
ø2.20	6.30	2.80	2.10	2.36 MM
ø2.00	5.00	1.70	1.20	1.57 MM
ø2.20	6.30	2.50	1.60	1.83 MM



SECTION P-P



POSITION	DIM "A"	DIM "B"	DIM "C"	DIM "E"
36	7.65	25.00	12.30	7.50
64	21.65	39.00	26.30	21.50
98	38.65	56.00	43.30	38.50
164	71.65	89.00	76.30	71.50



TOLERANCE	APPROVALS	DATE	TITLE
X. ±0.30	DRAWN Sandy Wu	11/21/2017	G630H SERIES, PCI EXPRESS 3.0 STRAIGHT, STRADDLE TYPE
X.X ±0.20	CHECKED Debby Hung	11/21/2017	
X.XX ±0.10	APPROVED Roger Tsai	11/21/2017	
ANGULAR ±1°	DWG TYPE CUST DWG	PROJECT CODE SLOT	
UNLESS OTHERWISE SPECIFIED			

UNIT mm	SIZE A3
SCALE NA	SHEET 1 OF 5

<b>Amphenol®</b>	
Amphenol Corporation Amphenol Taiwan Corporation	
PART No.	G630HXXX2XXXEU
DWG No.	G630HXXX2XXXEU
REV.	A1

This document is the property of Amphenol Corporation and is delivered on the express condition that it is not to be disclosed, reproduced or used, in whole or in part, for manufacture or sale by anyone other than Amphenol Corporation without its prior consent, and that no right is granted to disclose or to use any information in this document.

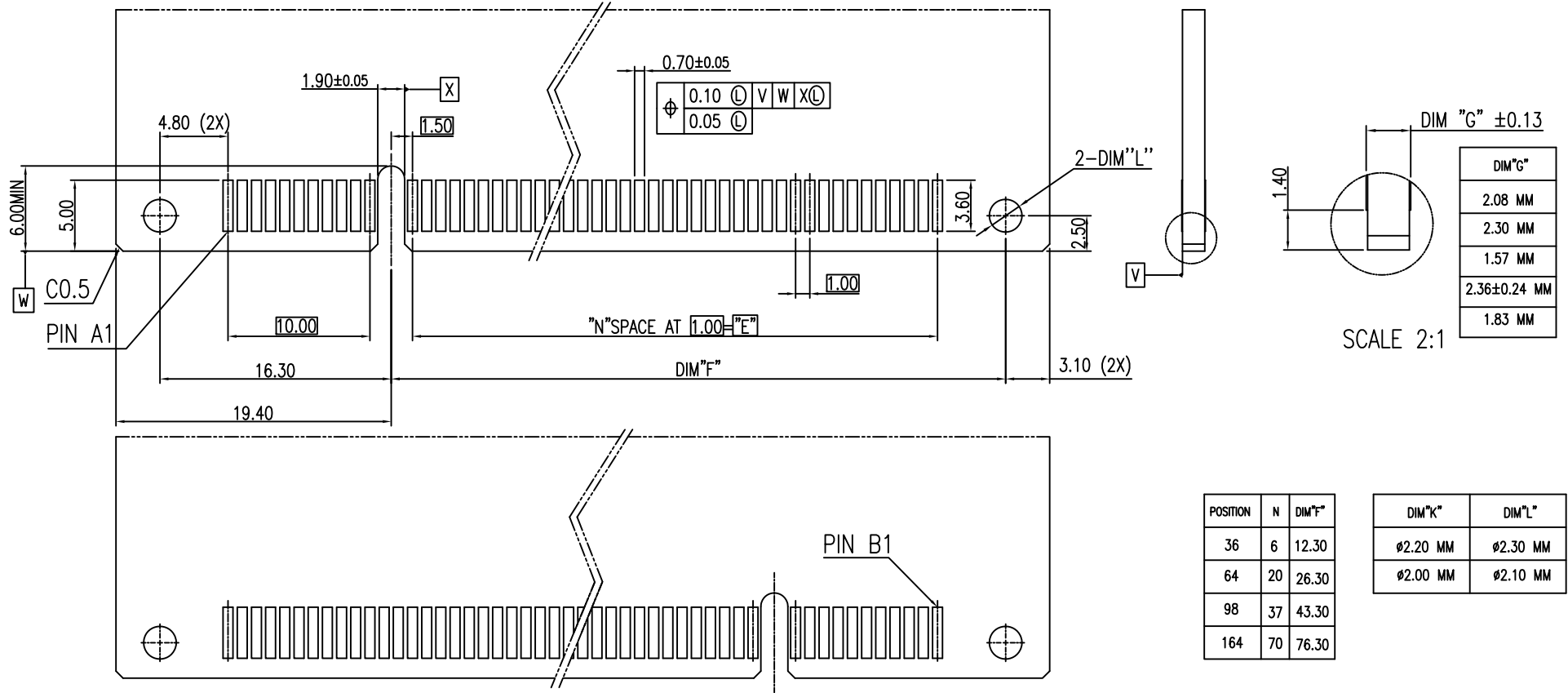
The marking on this product doesn't contain environmental hazardous materials per Material Specification 55-00259 for Sony GP compliant or per directive 2011/65/EU for RoHS compliant.



ORIGINAL



REVISIONS				
SYM	ECN No.	DESCRIPTION	DATE	APPROVED
A		RELEASE TO PRODUCTION	09/06/2011	Roger Tsai
B	NE-13041	REMOVED NYLON46/WITHOUT CAP OPTION	03/26/2013	Roger Tsai
C	NE-13180	ADDED PCB OPTION & LOGO NOTE	11/05/2013	Roger Tsai
D	NE-14011	MODIFIED 164 POS. PACKAGING	01/16/2014	Roger Tsai
E	NE-16005	ADD PCB OPTION & DIM /UPDATE TO MATTE TIN	01/21/2016	Arron Lin
F	NE-16224	ADDING WORDING (FIXTURE) DESCRIPTION	10/04/2016	Arron Lin
A1	NE-17289	CHANGE PACKAGE INNER MATERIAL TO VACUUM ALUMINUM BAG	11/21/2017	Roger Tsai



RECOMMEND OF PCB DIMENSIONS

TOLERANCE	APPROVALS	DATE	TITLE		Amphenol®	
X. ±0.30	DRAWN Sandy Wu	11/21/2017	G630H SERIES, PCI EXPRESS 3.0 STRAIGHT, STRADDLE TYPE		Amphenol Corporation Amphenol Taiwan Corporation	
X.X ±0.20	CHECKED Debby Hung	11/21/2017				
X.XXX ±0.10	APPROVED Roger Tsai	11/21/2017				
ANGULAR ±1°	DWG TYPE CUST DWG	PROJECT CODE SLOT	UNIT mm	SIZE A3	PART No. G630HXXX2XXXEU	
UNLESS OTHERWISE SPECIFIED			SCALE NA	SHEET 2 OF 5	DWG No. G630HXXX2XXXEU	REV. A1

This document is the property of Amphenol Corporation and is delivered on the express condition that is not to be disclosed, reproduced or used, in whole or in part, for manufacture or sale by anyone other than Amphenol Corporation without its prior consent, and that no right is granted to disclose or to use any information in this document.

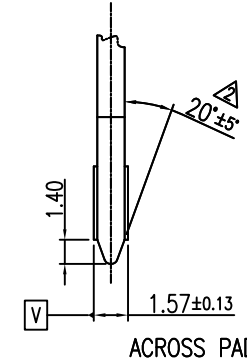
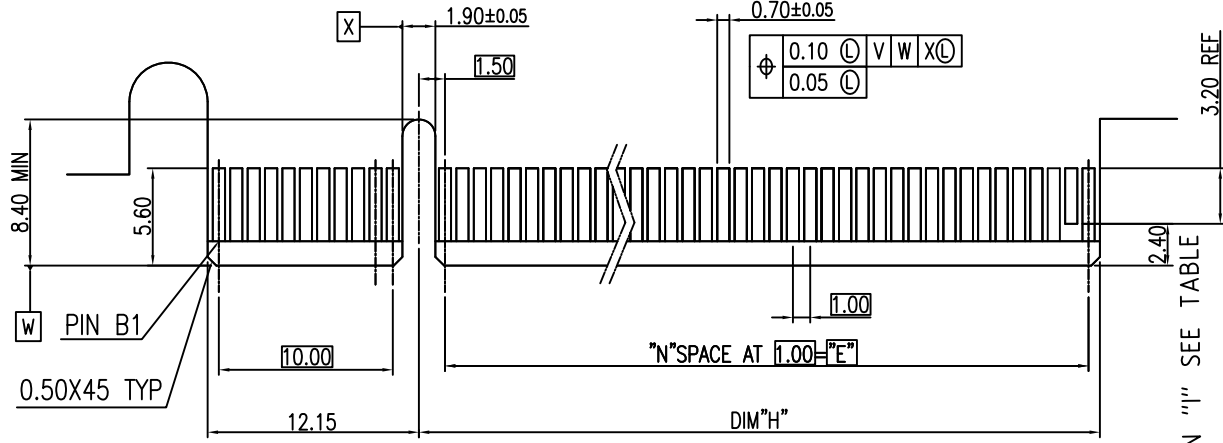
The marking on this product doesn't contain environmental hazardous materials per Material Specification 55-00259 for Sony GP compliant or per directive 2011/65/EU for RoHS compliant.



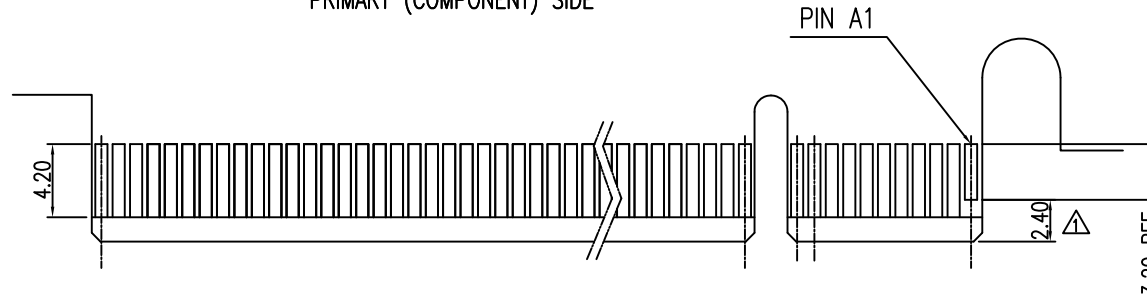
ORIGINAL



REVISIONS				
SYM	ECN No.	DESCRIPTION	DATE	APPROVED
A		RELEASE TO PRODUCTION	09/06/2011	Roger Tsai
B	NE-13041	REMOVED NYLON46/WITHOUT CAP OPTION	03/26/2013	Roger Tsai
C	NE-13180	ADDED PCB OPTION & LOGO NOTE	11/05/2013	Roger Tsai
D	NE-14011	MODIFIED 164 POS. PACKAGING	01/16/2014	Roger Tsai
E	NE-16005	ADD PCB OPTION & DIM /UPDATE TO MATTE TIN	01/21/2016	Arron Lin
F	NE-16224	ADDING WORDING (FIXTURE) DESCRIPTION	10/04/2016	Arron Lin
A1	NE-17289	CHANGE PACKAGE INNER MATERIAL TO VACUUM ALUMINUM BAG	11/21/2017	Roger Tsai



I/O PANEL DIRECTION  
PRIMARY (COMPONENT) SIDE



I/O PANEL DIRECTION  
SECONDARY (SOLDER) SIDE

- △ NO TIE BAR PERMITTED FROM CARD EDGE TO LEADING EDGE OF PAD FOR PINS A1 AND PIN "I"
- △ CHAMFER EDGES MUST BE FREE OF CUTTING BURRS.
- △ TOLERANCE: .XX±.13

POSITION	N	DIM "H"	PIN "I"
36	6	8.15	B17
64	20	22.15	B31
98	37	39.15	B48
164	70	72.15	B81

TOLERANCE		APPROVALS		DATE	TITLE		Amphenol®							
X.		DRAWN	Sandy Wu	11/21/2017	G630H SERIES, PCI EXPRESS 3.0 STRAIGHT, STRADDLE TYPE		Amphenol Corporation Amphenol Taiwan Corporation							
X.X	±0.30	CHECKED	Debby Hung	11/21/2017										
X.XX	±0.20	APPROVED	Roger Tsai	11/21/2017										
X.XXX	±0.10	UNLESS OTHERWISE SPECIFIED		CUST DWG	PROJECT CODE	SLOT	UNIT	mm	SIZE	A3	PART No.	G630HXXX2XXXEU		
ANGULAR	±1°	DWG TYPE	CUST DWG		PROJECT CODE	SLOT	SCALE	NA	SHEET	3 OF 5	DWG No.	G630HXXX2XXXEU	REV.	A1

This document is the property of Amphenol Corporation and is delivered on the express condition that is not to be disclosed, reproduced or used, in whole or in part, for manufacture or sale by anyone other than Amphenol Corporation without its prior consent, and that no right is granted to disclose or to use any information in this document.

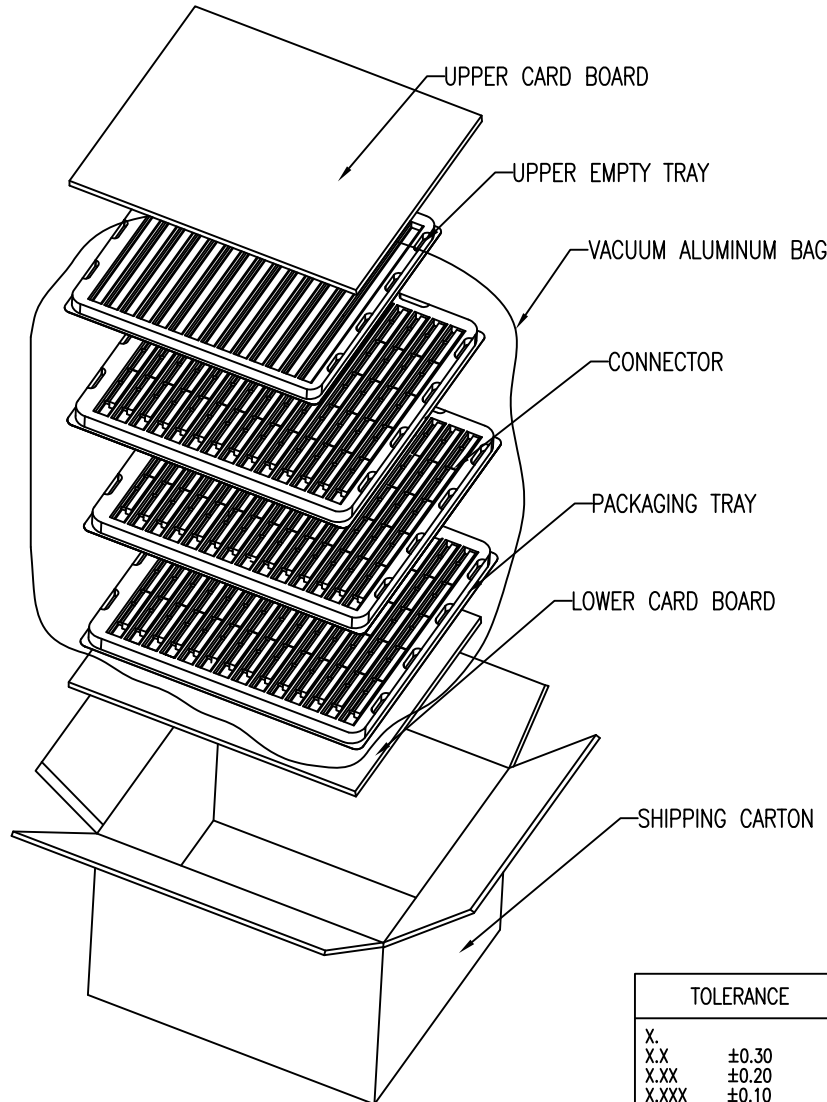
The marking on this product doesn't contain environmental hazardous materials per Material Specification 55-00259 for Sony GP compliant or per directive 2011/65/EU for RoHS compliant.



ORIGINAL



REVISIONS				
SYM	ECN No.	DESCRIPTION	DATE	APPROVED
A		RELEASE TO PRODUCTION	09/06/2011	Roger Tsai
B	NE-13041	REMOVED NYLON46/WITHOUT CAP OPTION	03/26/2013	Roger Tsai
C	NE-13180	ADDED PCB OPTION & LOGO NOTE	11/05/2013	Roger Tsai
D	NE-14011	MODIFIED 164 POS. PACKAGING	01/16/2014	Roger Tsai
E	NE-16005	ADD PCB OPTION & DIM /UPDATE TO MATTE TIN	01/21/2016	Arron Lin
F	NE-16224	ADDING WORDING (FIXTURE) DESCRIPTION	10/04/2016	Arron Lin
A1	NE-17289	CHANGE PACKAGE INNER MATERIAL TO VACUUM ALUMINUM BAG	11/21/2017	Roger Tsai



CIRCUIT SIZE	36	64	98
PARTS PER CARTON<S.P.Q>	1755	1170	975
PARTS PER TRAY	117	78	65
TOTEL TRAY PER CARTON	16	16	16

3

NOTES:

1. STAPLES SHOULD ONLY BE USED TO SET UP CARTON. ALL CARTON CLOSURES MUST BE DONE WITH TAPE.
  2. FILL PACKAGING TRAYS WITH THE QUANTITIES AS INDICATED IN THE CHART.
- 3 IN THE 16 PLASTIC TRAYS ,THE TOP PLASTIC TRAY IS TO COVER THE CONNECTORS ,THE OTHERS ARE FILLED WITH CONNECTORS.

TOLERANCE	APPROVALS	DATE	TITLE		Amphenol®		
X. ±0.30	DRAWN Sandy Wu	11/21/2017	G630H SERIES, PCI EXPRESS 3.0 STRAIGHT, STRADDLE TYPE		Amphenol Corporation Amphenol Taiwan Corporation		
X.X ±0.20	CHECKED Debby Hung	11/21/2017					
X.XXX ±0.10	APPROVED Roger Tsai	11/21/2017					
ANGULAR ±1°	DWG TYPE CUST DWG	PROJECT CODE SLOT	UNIT mm	SIZE A3	PART No.	G630HXXX2XXXEU	
UNLESS OTHERWISE SPECIFIED			SCALE NA	SHEET 4 OF 5	DWG No.	G630HXXX2XXXEU	REV. A1

This document is the property of Amphenol Corporation and is delivered on the express condition that is not to be disclosed, reproduced or used, in whole or in part, for manufacture or sale by anyone other than Amphenol Corporation without its prior consent, and that no right is granted to disclose or to use any information in this document.

The marking on this product doesn't contain environmental hazardous materials per Material Specification 55-00259 for Sony GP compliant or per directive 2011/65/EU for RoHS compliant.



ORIGINAL



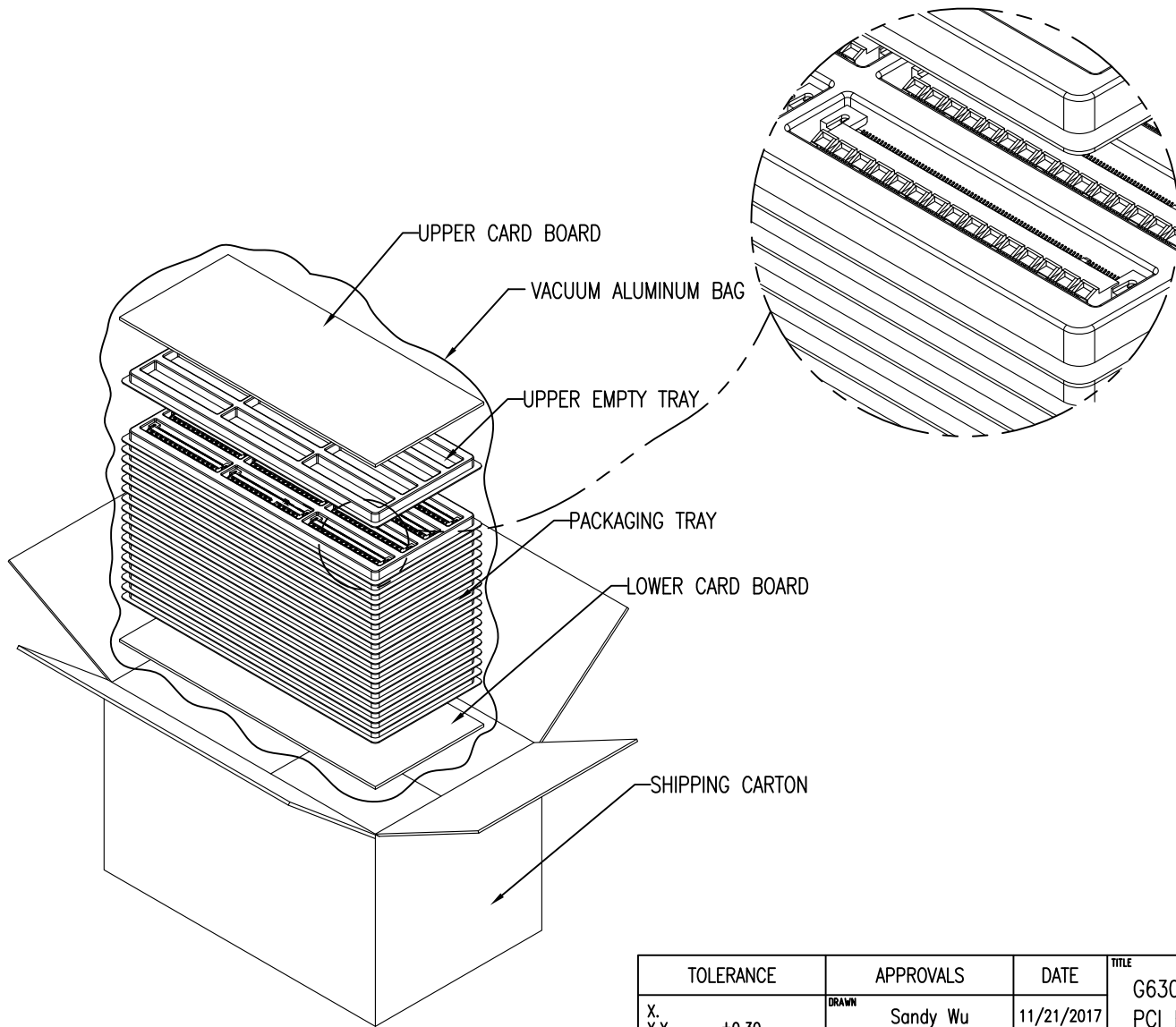
REVISIONS				
SYM	ECN No.	DESCRIPTION	DATE	APPROVED
A		RELEASE TO PRODUCTION	09/06/2011	Roger Tsai
B	NE-13041	REMOVED NYLON46/WITHOUT CAP OPTION	03/26/2013	Roger Tsai
C	NE-13180	ADDED PCB OPTION & LOGO NOTE	11/05/2013	Roger Tsai
D	NE-14011	MODIFIED 164 POS. PACKAGING	01/16/2014	Roger Tsai
E	NE-16005	ADD PCB OPTION & DIM /UPDATE TO MATTE TIN	01/21/2016	Arron Lin
F	NE-16224	ADDING WORDING (FIXTURE) DESCRIPTION	10/04/2016	Arron Lin
A1	NE-17289	CHANGE PACKAGE INNER MATERIAL TO VACUUM ALUMINUM BAG	11/21/2017	Roger Tsai

CIRCUIT SIZE	164
PARTS PER CARTON<S.P.Q>	204
PARTS PER TRAY	12
TOTEL TRAY PER CARTON	18

3

NOTES:

1. STAPLES SHOULD ONLY BE USED TO SET UP CARTON. ALL CARTON CLOSURES MUST BE DONE WITH TAPE.
  2. FILL PACKAGING TRAYS WITH THE QUANTITIES AS INDICATED IN THE CHART.
- 3 IN THE 18 PLASTIC TRAYS ,THE TOP PLASTIC TRAY IS TO COVER THE CONNECTORS ,THE OTHERS ARE FILLED WITH CONNECTORS.



TOLERANCE		APPROVALS		DATE	TITLE		Amphenol®								
X.		DRAWN	Sandy Wu	11/21/2017	G630H SERIES, PCI EXPRESS 3.0 STRAIGHT, STRADDLE TYPE		Amphenol Corporation Amphenol Taiwan Corporation								
X.X	±0.30	CHECKED	Debby Hung	11/21/2017											
X.XX	±0.20	APPROVED	Roger Tsai	11/21/2017											
X.XXX	±0.10	UNLESS OTHERWISE SPECIFIED		DWG TYPE	CUST DWG	PROJECT CODE	SLOT	UNIT	mm	SIZE	A3	PART No.	G630HXXX2XXXEU		
ANGULAR	±1°							SCALE	NA	SHEET	5 OF 5	DWG No.	G630HXXX2XXXEU	REV.	A1



Компания «Океан Электроники» предлагает заключение долгосрочных отношений при поставках импортных электронных компонентов на взаимовыгодных условиях!

Наши преимущества:

- Поставка оригинальных импортных электронных компонентов напрямую с производств Америки, Европы и Азии, а так же с крупнейших складов мира;
- Широкая линейка поставок активных и пассивных импортных электронных компонентов (более 30 млн. наименований);
- Поставка сложных, дефицитных, либо снятых с производства позиций;
- Оперативные сроки поставки под заказ (от 5 рабочих дней);
- Экспресс доставка в любую точку России;
- Помощь Конструкторского Отдела и консультации квалифицированных инженеров;
- Техническая поддержка проекта, помощь в подборе аналогов, поставка прототипов;
- Поставка электронных компонентов под контролем ВП;
- Система менеджмента качества сертифицирована по Международному стандарту ISO 9001;
- При необходимости вся продукция военного и аэрокосмического назначения проходит испытания и сертификацию в лаборатории (по согласованию с заказчиком);
- Поставка специализированных компонентов военного и аэрокосмического уровня качества (Xilinx, Altera, Analog Devices, Intersil, Interpoint, Microsemi, Actel, Aeroflex, Peregrine, VPT, Syfer, Eurofarad, Texas Instruments, MS Kennedy, Miteq, Cobham, E2V, MA-COM, Hittite, Mini-Circuits, General Dynamics и др.);

Компания «Океан Электроники» является официальным дистрибьютором и эксклюзивным представителем в России одного из крупнейших производителей разъемов военного и аэрокосмического назначения «JONHON», а так же официальным дистрибьютором и эксклюзивным представителем в России производителя высокотехнологичных и надежных решений для передачи СВЧ сигналов «FORSTAR».



## JONHON

«JONHON» (основан в 1970 г.)

Разъемы специального, военного и аэрокосмического назначения:

(Применяются в военной, авиационной, аэрокосмической, морской, железнодорожной, горно- и нефтедобывающей отраслях промышленности)

«FORSTAR» (основан в 1998 г.)

ВЧ соединители, коаксиальные кабели, кабельные сборки и микроволновые компоненты:

(Применяются в телекоммуникациях гражданского и специального назначения, в средствах связи, РЛС, а так же военной, авиационной и аэрокосмической отраслях промышленности).



Телефон: 8 (812) 309-75-97 (многоканальный)

Факс: 8 (812) 320-03-32

Электронная почта: [ocean@oceanchips.ru](mailto:ocean@oceanchips.ru)

Web: <http://oceanchips.ru/>

Адрес: 198099, г. Санкт-Петербург, ул. Калинина, д. 2, корп. 4, лит. А