

# Slim I/O Relays G2RV-SR/G3RV-SR

## Global standard size, low profile slim (6.2 mm width) I/O relays


- 25% lower profile than conventional products, contributing to a smaller control panel.
- Push-In Plus terminal blocks reduce wiring work by 60%\* compared to conventional screw terminals.
- ‘Hand-free’ structure that holds an inserted flat-blade screwdriver to achieve easier wiring work for stranded wires.
- Electromechanical relays (G2RV-SR) and solid state relays (G3RV-SR) are available.
- Screw terminal terminal block models are available.
- Plug-in terminal has strong mechanical pins that do not bend.

\* According to OMRON actual measurement data from November 2015.

G2RV-SR:     
 G3RV-SR:   



For the recent information on models that have been certified for safety standards, refer to your OMRON website.

 Refer to *Safety Precautions* on page 20.

## Slim I/O Relay Types

- G2RV-SR series mounted relay: electromagnetic relay ..... from page 2
- G3RV-SR series mounted relay: solid state relay ..... from page 10

## Common matter

- Common precautions ..... from page 20
- Common accessories (order separately)..... page 24

G2RV-SR

G3RV-SR

Common Precautions

Common Accessories

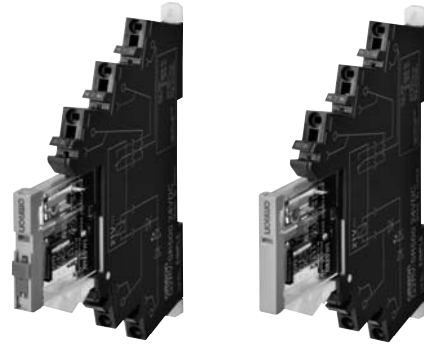
Slim Electromechanical I/O Relay

# G2RV-SR

G2RV-SR

G3RV-SR

## Global standard size, low profile, slim (6.2 mm width) I/O relay



For the recent information on models that have been certified for safety standards, refer to your OMRON website.

- 25% lower profile than conventional products, contributing to a smaller control panel.
- Opening and closing ability with one pole 6 A slim shape.
- Micro load products for one pole 50 mA using gold-plated contacts for small load switching also available.
- Since G2RV has a transparent case, confirming the state of the contact with the naked eye is possible.
- Screw terminal terminal block models are available.
- Plug-in type terminal has strong mechanical pins that do not bend.

Refer to *Safety Precautions* on page 20.

## Features

### Standard model/Micro load

- Terminal x 5
- Push-in
- Screw
- Release lever
- Operation display LED (Socket section)
- Mechanical indicator
- Operation verification which is linked to the contact



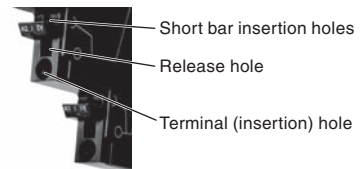
### With latching lever (Test switch)

- Protective cover (Locked condition)
- Latching lever (Test switch)
- Circuit check operation Confirmation, reducing the inspection effort
- Protective cover (Released state)
- Latching lever (Test switch)

**PAT**

"Foreign matter intrusion prevention structure"  
"Malfunction prevention stopper"

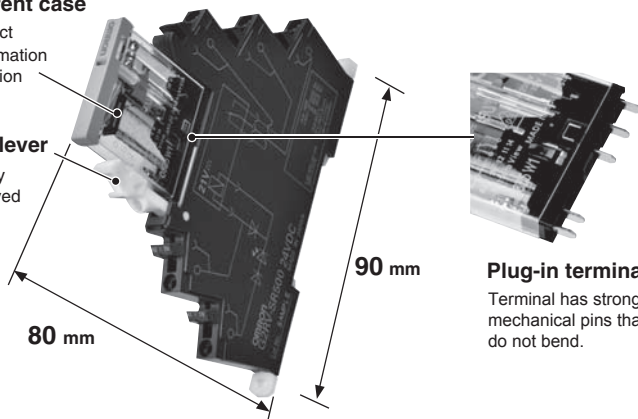
### Push-In Plus Terminal Block



### Transparent case

Relay contact  
Easy confirmation of the situation

Release lever  
Relay easily fixed/removed



### Plug-in terminal

Terminal has strong mechanical pins that do not bend.

Common Precautions

Common Accessories

# Model Number Structure

## Model Number Legend

G2RV-SR □□ □ - □ □  
 (1) (2) (3) (4) (5) (6)

**(1) Basic model name**  
 G2RV: Slim I/O Relay

**(2) Sub type**

SR: Slim relay + integrated low profile socket

**(3) Terminal (wire connection)**  
 50: Push-In Plus Terminal  
 70: Screw terminal

**(4) Latching lever (test switch)**  
 0: Without latching lever  
 1: With latching lever

**(5) Contact structure**  
 Blank: Standard  
 AP: Microloads

**(6) Rated input voltage**  
 12, 24 VDC  
 24, 48 VAC/VC  
 100, 110, 200, 230 VAC

## Ordering Information

| Terminal (Wire connection) | Classification | Latching lever (Test switch) | Rated input voltage (V) |                       | Model                 |
|----------------------------|----------------|------------------------------|-------------------------|-----------------------|-----------------------|
| Push-In Plus Terminal      | Standard       | No                           | DC                      | 12                    | G2RV-SR500 DC12       |
|                            |                |                              |                         | 24                    | G2RV-SR500 DC24       |
|                            |                |                              | AC/DC                   | 24                    | G2RV-SR500 AC/DC24    |
|                            |                |                              |                         | 48                    | G2RV-SR500 AC/DC48    |
|                            |                |                              |                         | AC                    | 100                   |
|                            |                |                              | 110                     |                       | G2RV-SR500 AC110      |
|                            |                |                              | 200                     |                       | G2RV-SR500 AC200      |
|                            | Microloads     | No                           | DC                      | 12                    | G2RV-SR500-AP DC12    |
|                            |                |                              |                         | 24                    | G2RV-SR500-AP DC24    |
|                            |                |                              | AC/DC                   | 24                    | G2RV-SR500-AP AC/DC24 |
|                            |                |                              |                         | 48                    | G2RV-SR500-AP AC/DC48 |
|                            |                |                              |                         | AC                    | 100                   |
|                            |                |                              | 110                     |                       | G2RV-SR500-AP AC110   |
|                            |                |                              | 200                     |                       | G2RV-SR500-AP AC200   |
| Screw terminal             | Standard       | No                           | DC                      | 12                    | G2RV-SR700 DC12       |
|                            |                |                              |                         | 24                    | G2RV-SR700 DC24       |
|                            |                |                              | AC/DC                   | 24                    | G2RV-SR700 AC/DC24    |
|                            |                |                              |                         | 48                    | G2RV-SR700 AC/DC48    |
|                            |                |                              |                         | AC                    | 100                   |
|                            |                |                              | 110                     |                       | G2RV-SR700 AC110      |
|                            |                |                              | 200                     |                       | G2RV-SR700 AC200      |
|                            | Microloads     | No                           | DC                      | 12                    | G2RV-SR700-AP DC12    |
|                            |                |                              |                         | 24                    | G2RV-SR700-AP DC24    |
|                            |                |                              | AC/DC                   | 24                    | G2RV-SR700-AP AC/DC24 |
|                            |                |                              |                         | 48                    | G2RV-SR700-AP AC/DC48 |
|                            |                |                              |                         | AC                    | 100                   |
|                            |                |                              | 110                     |                       | G2RV-SR700-AP AC110   |
|                            |                |                              | 200                     |                       | G2RV-SR700-AP AC200   |
| Microloads                 | No             | DC                           | 12                      | G2RV-SR700-AP DC12    |                       |
|                            |                |                              | 24                      | G2RV-SR700-AP DC24    |                       |
|                            |                | AC/DC                        | 24                      | G2RV-SR700-AP AC/DC24 |                       |
|                            |                |                              | 48                      | G2RV-SR700-AP AC/DC48 |                       |
|                            |                |                              | AC                      | 100                   | G2RV-SR700-AP AC100   |
|                            |                | 110                          |                         | G2RV-SR700-AP AC110   |                       |
|                            |                | 200                          |                         | G2RV-SR700-AP AC200   |                       |
| Microloads                 | No             | DC                           | 12                      | G2RV-SR700-AP DC12    |                       |
|                            |                |                              | 24                      | G2RV-SR700-AP DC24    |                       |
|                            |                | AC/DC                        | 24                      | G2RV-SR700-AP AC/DC24 |                       |
|                            |                |                              | 48                      | G2RV-SR700-AP AC/DC48 |                       |
|                            |                |                              | AC                      | 100                   | G2RV-SR700-AP AC100   |
|                            |                | 110                          |                         | G2RV-SR700-AP AC110   |                       |
|                            |                | 200                          |                         | G2RV-SR700-AP AC200   |                       |
| Microloads                 | No             | DC                           | 12                      | G2RV-SR700-AP DC12    |                       |
|                            |                |                              | 24                      | G2RV-SR700-AP DC24    |                       |
|                            |                | AC/DC                        | 24                      | G2RV-SR700-AP AC/DC24 |                       |
|                            |                |                              | 48                      | G2RV-SR700-AP AC/DC48 |                       |
|                            |                |                              | AC                      | 100                   | G2RV-SR700-AP AC100   |
|                            |                | 110                          |                         | G2RV-SR700-AP AC110   |                       |
|                            |                | 200                          |                         | G2RV-SR700-AP AC200   |                       |

Note: Solid wire cannot be used for Push-In Plus terminal type. Make sure to use stranded wire or stranded wire with ferrules.

# G2RV-SR

## Relay for Maintenance

### Model Number Legend

**G2RV-1 - S**  -  - **G**

(1) (2) (3) (4) (5) (6)

**(1) No. of poles**

1: 1 pole

**(2) Terminal**

S: plug-in

**(3) Latching lever (Test switch)**

Blank: Without latching lever

I: With latching lever

**(4) Contact material**

Blank: Silver alloy

AP: Silver alloy + gold plate

**(5) Types of relay for exchange**

G: G2RV-SR series equipped

Relay

**(6) Rated coil voltage**

Number: 11, 21, 48 VDC

**G2RV-1-SI-G**



**G2RV-1-S-G(-AP)**



### List of Models

| Type      | Latching Lever (Test switch) | Rated coil voltage (V) | Model | Applicable model          |                            |
|-----------|------------------------------|------------------------|-------|---------------------------|----------------------------|
| Standard  | No                           | DC                     | 11    | <b>G2RV-1-S-G DC11</b>    | G2RV-SR700/500 DC12V       |
|           |                              |                        | 21    | <b>G2RV-1-S-G DC21</b>    | G2RV-SR700/500 DC24V       |
|           |                              |                        | 48    | <b>G2RV-1-S-G DC48</b>    | G2RV-SR700/500 AC/DC24V    |
|           |                              |                        |       |                           | G2RV-SR700/500 AC/DC48V    |
|           |                              |                        |       |                           | G2RV-SR700/500 AC100V      |
|           |                              |                        |       |                           | G2RV-SR700/500 AC110V      |
|           | Yes                          | DC                     | 21    | <b>G2RV-1-SI-G DC21</b>   | G2RV-SR700/500 AC200V      |
|           |                              |                        | 48    | <b>G2RV-1-S-G DC48</b>    | G2RV-SR700/500 AC230V      |
|           |                              |                        |       |                           | G2RV-SR701/501 DC24V       |
|           |                              |                        |       |                           | G2RV-SR701/501 AC/DC24V    |
| Microload | No                           | DC                     | 11    | <b>G2RV-1-S-AP-G DC11</b> | G2RV-SR700/500-AP DC12V    |
|           |                              |                        | 21    | <b>G2RV-1-S-AP-G DC21</b> | G2RV-SR700/500-AP DC24V    |
|           |                              |                        | 48    | <b>G2RV-1-S-AP-G DC48</b> | G2RV-SR700/500-AP AC/DC24V |
|           |                              |                        |       |                           | G2RV-SR700/500-AP AC/DC48V |
|           |                              |                        |       |                           | G2RV-SR700/500-AP AC100V   |
|           |                              |                        |       |                           | G2RV-SR700/500-AP AC110V   |
|           |                              |                        |       |                           | G2RV-SR700/500-AP AC200V   |
|           |                              |                        |       |                           | G2RV-SR700/500-AP AC230V   |

G2RV-SR

G3RV-SR

Common Precautions

Common Accessories

## Specifications

### Ratings

#### Coil ratings

| Rated input voltage | Rated current |         |         | Operation voltage               | Release voltage | Power consumption               |                | Maximum allowable voltage |
|---------------------|---------------|---------|---------|---------------------------------|-----------------|---------------------------------|----------------|---------------------------|
|                     | AC            |         | DC      |                                 |                 | Percentage of the rated voltage | AC (VA)        |                           |
|                     | 50 Hz         | 60 Hz   |         | Percentage of the rated voltage | AC (VA)         |                                 |                | DC (mW)                   |
| 12 VDC              | –             | –       | 27.2 mA | 80% max.*                       | 10% min.        | –                               | Approx. 300 mW | 110%                      |
| 24 VDC              | –             | –       | 13.3 mA |                                 |                 | –                               | Approx. 300 mW |                           |
| 24 VAC/VDC          | 21.1 mA       | 22.5 mA | 13.0 mA |                                 |                 | Approx. 0.5 VA                  | Approx. 300 mW |                           |
| 48 VAC/VDC          | 8.5 mA        | 9.0 mA  | 5.2 mA  |                                 |                 | Approx. 0.4 VA                  | Approx. 250 mW |                           |
| 100 VAC             | 7.1 mA        | 7.5 mA  | –       |                                 |                 | Approx. 0.8 VA                  | –              |                           |
| 110 VAC             | 7.1 mA        | 7.5 mA  | –       |                                 |                 | Approx. 0.8 VA                  | –              |                           |
| 200 VAC             | 7.2 mA        | 7.9 mA  | –       |                                 |                 | Approx. 1.7 VA                  | –              |                           |
| 230 VAC             | 7.3 mA        | 7.9 mA  | –       |                                 |                 | Approx. 1.7 VA                  | –              |                           |

**Note:** The operating characteristics are measured at ambient temperature of 23°C.

\* Operating voltage will be 85% max. for upside down mounting.

#### Contact ratings

| Item                                      | Standard (G2RV-SR700, 500, 701, 501) |                                    | For microloads (G2RV-SR700-AP, 500-AP) *2 |
|-------------------------------------------|--------------------------------------|------------------------------------|-------------------------------------------|
| Contact configuration                     | SPDT                                 |                                    |                                           |
| Load                                      | Resistive load (cosφ=1)              | Inductive load (cosφ=0.4, L/R=7ms) | Resistive load (cosφ=1)                   |
| Rated load                                | 6 A at 250 VAC<br>6 A at 30 VDC      | 2.5 A at 250 VAC<br>2 A at 30 VDC  | 50 mA at 30 VAC<br>50 mA at 36 VDC        |
| Rated carry current                       | 6 A                                  |                                    | 50 mA                                     |
| Maximum switching voltage                 | 440 VAC, 125 VDC                     |                                    | 30 VAC, 36 VDC                            |
| Maximum switching current                 | 6 A                                  |                                    | 50 mA                                     |
| Maximum switching power                   | 1,500 VA<br>180 W                    | 500 VA<br>60 W                     | –                                         |
| Failure rate P value (reference value) *1 | 10 mA at 5 VDC                       |                                    | 1 mA at 100 mVDC                          |

\*1. P level:  $\lambda_{60}=0.1 \times 10^{-6}$ /times

This value is the value in switching frequency 120 operations/min.

\*2. If the gold plating layer is destroyed, the number will be the same as the standard type.

#### Characteristics

| Item                          | Standard (G2RV-SR700, 500, 701, 501)                                                                                                                                     |                                                                          | For microloads (G2RV-SR700-AP, 500-AP) |
|-------------------------------|--------------------------------------------------------------------------------------------------------------------------------------------------------------------------|--------------------------------------------------------------------------|----------------------------------------|
| Contact resistance *          | 100 mΩ max.                                                                                                                                                              |                                                                          |                                        |
| Operate (Set) time *          | 20 ms max.                                                                                                                                                               |                                                                          |                                        |
| Release time *                | AC, AC/DC: 40 ms max.<br>DC: 20 ms max.                                                                                                                                  |                                                                          |                                        |
| Maximum operating frequency   | Mechanical: 18,000 operations/h<br>Electrical: 1,800 operations/h (rated load)                                                                                           |                                                                          |                                        |
| Insulation resistance         | 1,000 MΩ min. (at 500 VDC)                                                                                                                                               |                                                                          |                                        |
| Dielectric strength           | Between coil and contacts: 4,000VAC 50/60 Hz 1 min<br>Contact between the same polarity: 1,000 VAC 50/60 Hz 1 min                                                        |                                                                          |                                        |
| Vibration resistance          | Destruction: 10 to 55 to 10 Hz, single amplitude 0.50 mm (double amplitude 1.0 mm)<br>Malfunction: 10 to 55 to 10 Hz, single amplitude 0.50 mm (double amplitude 1.0 mm) |                                                                          |                                        |
| Shock resistance              | Destruction: 1,000 m/s <sup>2</sup><br>Malfunction: Energized 200m/s <sup>2</sup> , Non-energized 100m/s <sup>2</sup>                                                    |                                                                          |                                        |
| Endurance *                   | Mechanical                                                                                                                                                               | 5,000,000 operations min.                                                |                                        |
|                               | Electrical                                                                                                                                                               | NO contact: 70,000 operations min.<br>NC contact: 50,000 operations min. | 5,000,000 operations min.              |
| Ambient operating temperature | Operating: –40 to +55°C (with no icing or condensation)                                                                                                                  |                                                                          |                                        |
| Ambient operating humidity    | Operating: 5 to 85% RH                                                                                                                                                   |                                                                          |                                        |
| Weight                        | Approx. 30 g                                                                                                                                                             |                                                                          |                                        |
| Contact material              | Ag alloy                                                                                                                                                                 |                                                                          | Ag alloy + Au plating                  |

**Note:** Above values are initial values.

\* Value is at ambient temperature of 23°C.

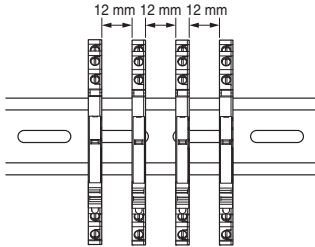
# G2RV-SR

## Approved standards

UL508 (file No.E41643)

| Model          | No. of poles | Operation coil ratings        | Contact ratings                                                                                       | Operations |
|----------------|--------------|-------------------------------|-------------------------------------------------------------------------------------------------------|------------|
| G2RV-SR series | SPDT         | 12 to 48 VDC<br>24 to 230 VAC | 6 A at 250 VAC (Resistive load)<br>6 A at 30 VDC (Resistive load)<br>2 A at 400 VAC (Resistive load)* | 6,000      |

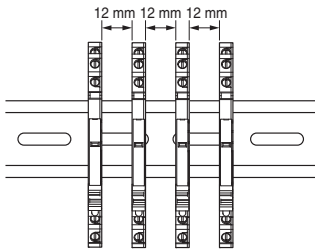
\* If the load voltage exceeds 250 VAC, please attach with a spacing of 12 mm min., or use a separate plate (XW5Z-EP12).



## VDE (EN 61810-1)

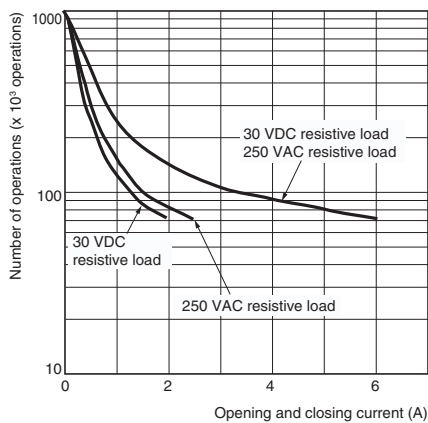
| Model          | No. of poles | Operation coil ratings                                 | Contact ratings                                                                                       | Operations                |
|----------------|--------------|--------------------------------------------------------|-------------------------------------------------------------------------------------------------------|---------------------------|
| G2RV-SR series | SPDT         | 12, 24 VDC<br>24, 48 VAC/VDC<br>100, 110, 200, 230 VAC | 6 A at 250 VAC (Resistive load)<br>6 A at 30 VDC (Resistive load)<br>2 A at 400 VAC (Resistive load)* | 50,000<br>50,000<br>6,000 |

\* If the load voltage exceeds 250 VAC, please attach with a spacing of 12 mm min., or use a separate plate (XW5Z-EP12).

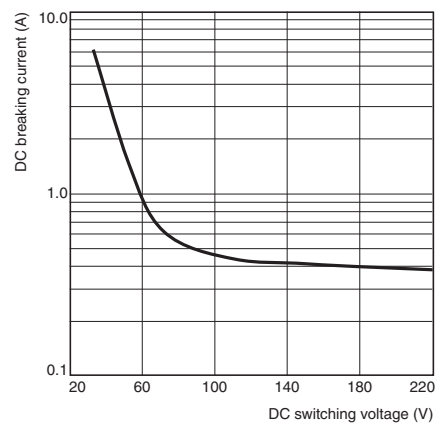


## Engineering Data

### Endurance curve (N.O. side)



### Switching capacity of DC resistive load

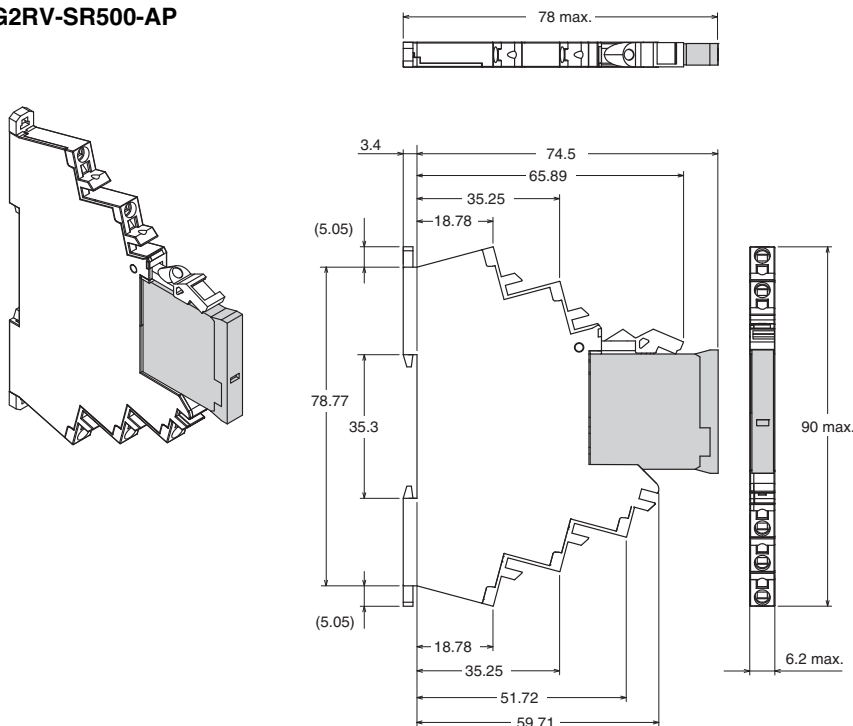


# Dimensions

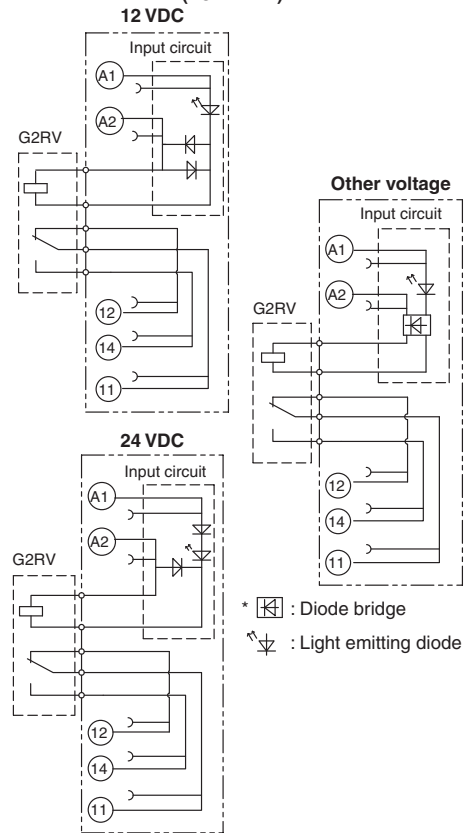
**Slim I/O Relay + socket**  
**Push-In Plus Terminal Block**

**Models without latching lever (without test switch)**

**G2RV-SR500**  
**G2RV-SR500-AP**

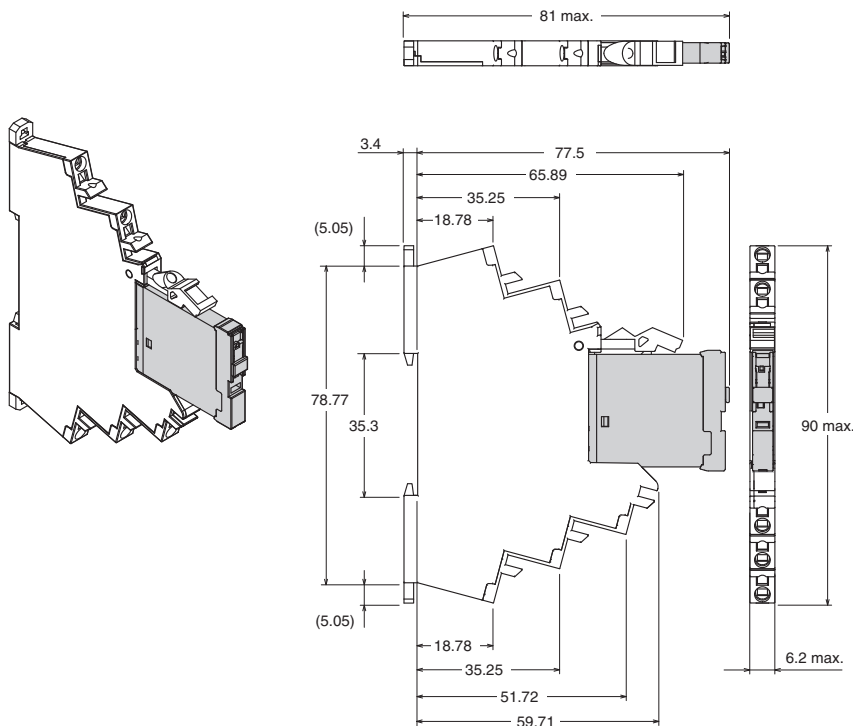


**Terminal Arrangement/Internal Connection Diagram (TOP VIEW)**

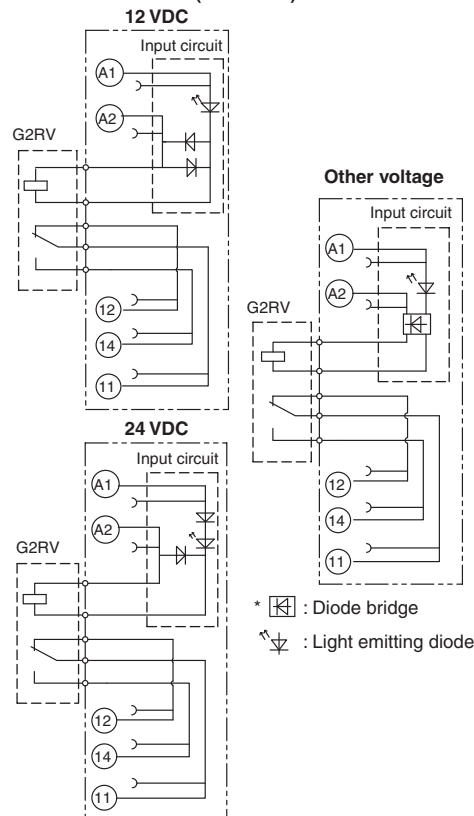


**Models with latching lever (with test switch)**

**G2RV-SR501**



**Terminal Arrangement/Internal Connection Diagram (TOP VIEW)**



G2RV-SR

G3RV-SR

Common Precautions

Common Accessories

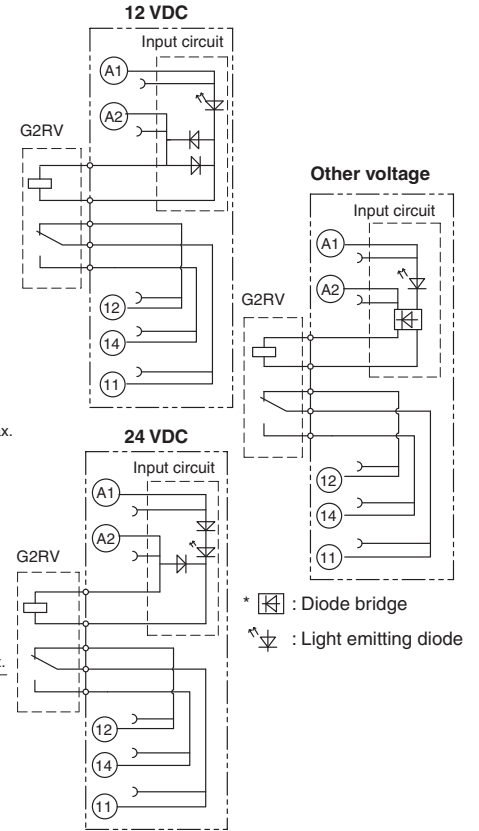
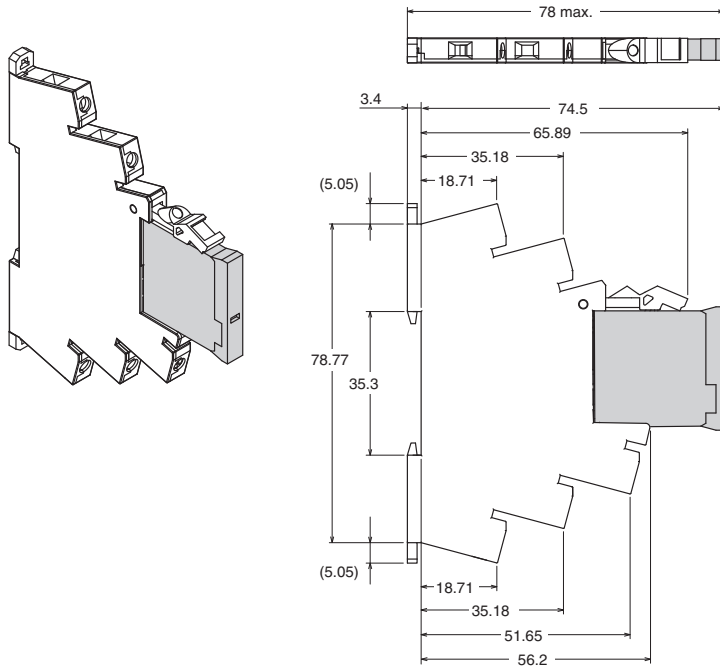
# G2RV-SR

## Screw terminal

### Models without latching lever (without test switch)

G2RV-SR700  
G2RV-SR700-AP

### Terminal Arrangement/Internal Connection Diagram (TOP VIEW)



G2RV-SR

G3RV-SR

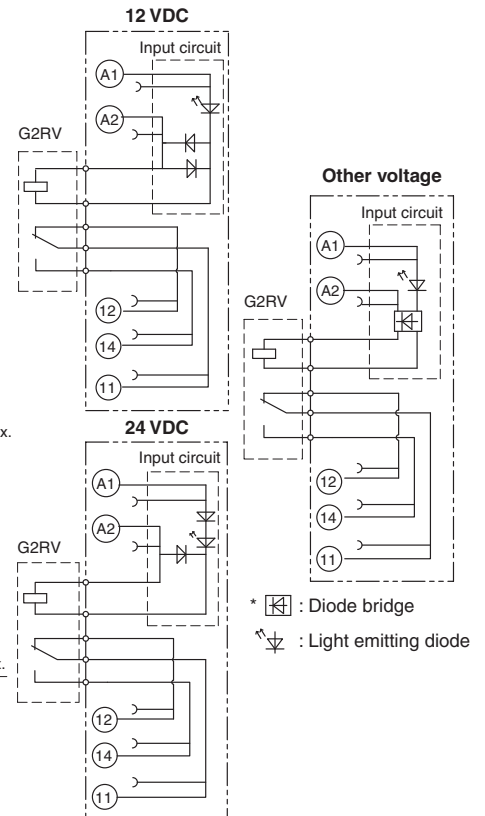
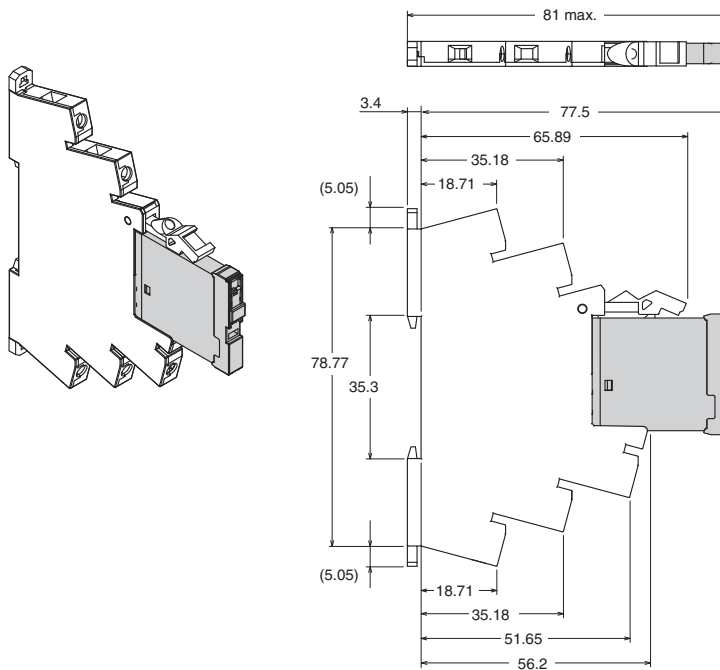
Common Precautions

Common Accessories

### Models with latching lever (with test switch)

G2RV-SR701

### Terminal Arrangement/Internal Connection Diagram (TOP VIEW)



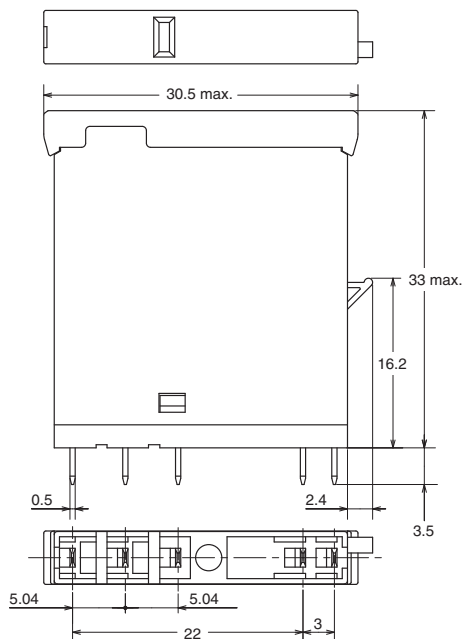
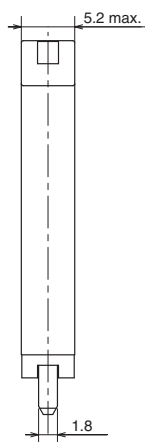


Relay for maintenance

Models without latching lever

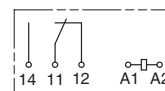
G2RV-1-S-G

G2RV-1-S-AP-G



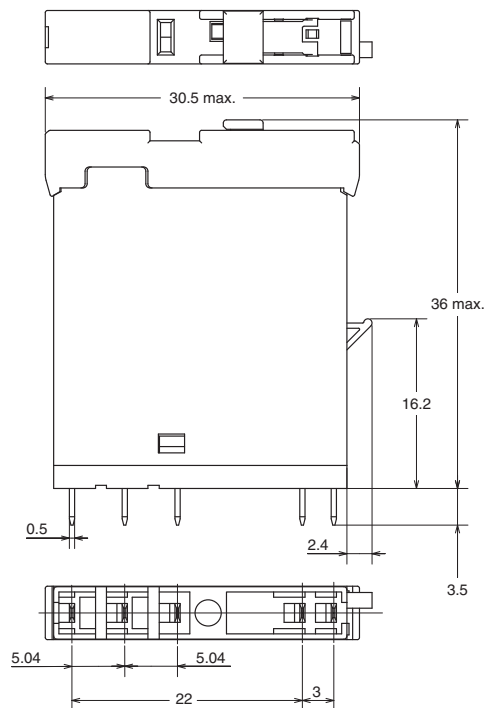
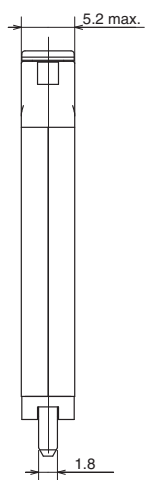
Terminal Arrangement/  
Internal Connection Diagram  
(TOP VIEW)

(Input circuit)



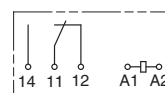
Models with latching lever (test switch)

G2RV-1-SI-G



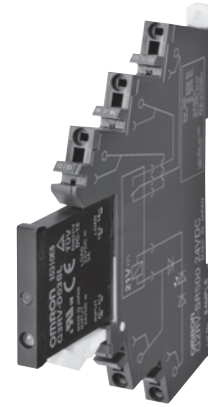
Terminal Arrangement/  
Internal Connection Diagram  
(TOP VIEW)

(Input circuit)



# Slim I/O Solid State Relay G3RV-SR

Global standard size, low profile, slim (6.2 mm width) I/O solid state relay.



For the recent information on models that have been certified for safety standards, refer to your OMRON website.

Refer to *Safety Precautions* on page 20.

## Features

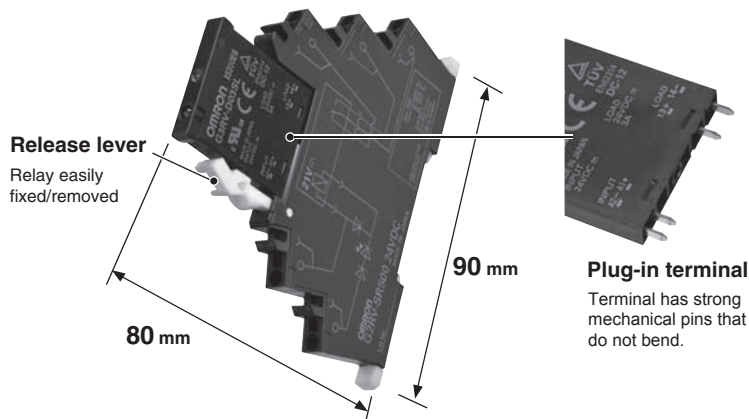
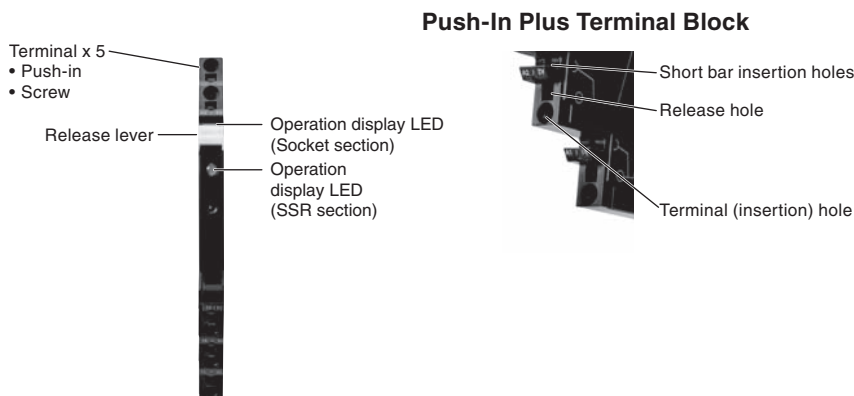
- 25% lower profile than conventional products, contributing to a smaller control panel.
- Optimal slim, high frequency, high-speed opening and closing SSR (solid state relay).
- Slim shape with a switching capacity up to 3 A (DC), and 2 A (AC).
- Because MOSFET is used for the outlet element for the DC load, opening and closing load of 100  $\mu$ A to 3 A is possible.
- Check operating status at a glance with the operating display LED.
- Mounted I/O SSR (solid-state relay) uses plug-in terminals with strong mechanical pins that do not bend.

G2RV-SR

G3RV-SR

Common Precautions

Common Accessories



## Model Number Structure

### Model Number Legend

**G3RV-SR** □ □ □ - □ □  
 (1) (2) (3) (4) (5)

**(1) Basic model name**

G3RV: Slim I/O Solid State Relay

**(2) Sub type**

SR: Slim solid relay + integrated low profile socket

**(3) Terminal (wire connection)**

500: Push-In Plus Terminal

700: Screw terminal

**(4) Output voltage specification**

A : AC output (triac) zero cross function available

AL : AC output (triac) zero cross function not available

D : DC output (MOS FET)

**(5) Rated voltage input**

12, 24 VDC

24, 48 VAC/VDC

100, 110, 200, 230 VAC

G2RV-SR

G3RV-SR

Common Precautions

Common Accessories

# G3RV-SR

## Ordering Information

| Terminal (wire connection) | Applicable output load | Zero cross function  | Rated input voltage (V) |                     | Model                 |    |                      |
|----------------------------|------------------------|----------------------|-------------------------|---------------------|-----------------------|----|----------------------|
| Push-In Plus Terminal      | DC load                | —                    | DC                      | 12                  | G3RV-SR500-D DC12     |    |                      |
|                            |                        |                      |                         | 24                  | G3RV-SR500-D DC24     |    |                      |
|                            |                        |                      | AC/DC                   | 24                  | G3RV-SR500-D AC/DC24  |    |                      |
|                            |                        |                      |                         | 48                  | G3RV-SR500-D AC/DC48  |    |                      |
|                            |                        |                      | AC                      | 100                 | G3RV-SR500-D AC100    |    |                      |
|                            |                        |                      |                         | 110                 | G3RV-SR500-D AC110    |    |                      |
|                            |                        |                      |                         | 200                 | G3RV-SR500-D AC200    |    |                      |
|                            |                        |                      |                         | 230                 | G3RV-SR500-D AC230    |    |                      |
|                            |                        |                      |                         |                     |                       |    |                      |
|                            |                        |                      | AC load                 | Yes                 | DC                    | 12 | G3RV-SR500-A DC12    |
|                            |                        |                      |                         |                     |                       | 24 | G3RV-SR500-A DC24    |
|                            |                        |                      |                         |                     | AC/DC                 | 24 | G3RV-SR500-A AC/DC24 |
|                            | 48                     | G3RV-SR500-A AC/DC48 |                         |                     |                       |    |                      |
|                            | AC                     | 100                  |                         |                     | G3RV-SR500-A AC100    |    |                      |
|                            |                        | 110                  |                         |                     | G3RV-SR500-A AC110    |    |                      |
|                            |                        | 200                  |                         | G3RV-SR500-A AC200  |                       |    |                      |
|                            | No                     | DC                   |                         | 12                  | G3RV-SR500-AL DC12    |    |                      |
|                            |                        |                      |                         | 24                  | G3RV-SR500-AL DC24    |    |                      |
|                            |                        | AC/DC                |                         | 24                  | G3RV-SR500-AL AC/DC24 |    |                      |
|                            |                        |                      |                         | 48                  | G3RV-SR500-AL AC/DC48 |    |                      |
|                            |                        | AC                   |                         | 100                 | G3RV-SR500-AL AC100   |    |                      |
|                            |                        |                      | 110                     | G3RV-SR500-AL AC110 |                       |    |                      |
|                            | 200                    |                      | G3RV-SR500-AL AC200     |                     |                       |    |                      |
|                            |                        |                      | 230                     | G3RV-SR500-AL AC230 |                       |    |                      |
| Screw terminal             | DC load                | —                    | DC                      | 12                  | G3RV-SR700-D DC12     |    |                      |
|                            |                        |                      |                         | 24                  | G3RV-SR700-D DC24     |    |                      |
|                            |                        |                      | AC/DC                   | 24                  | G3RV-SR700-D AC/DC24  |    |                      |
|                            |                        |                      |                         | 48                  | G3RV-SR700-D AC/DC48  |    |                      |
|                            |                        |                      | AC                      | 100                 | G3RV-SR700-D AC100    |    |                      |
|                            |                        |                      |                         | 110                 | G3RV-SR700-D AC110    |    |                      |
|                            |                        |                      |                         | 200                 | G3RV-SR700-D AC200    |    |                      |
|                            |                        |                      |                         | 230                 | G3RV-SR700-D AC230    |    |                      |
|                            |                        |                      |                         |                     |                       |    |                      |
|                            |                        |                      | AC load                 | Yes                 | DC                    | 12 | G3RV-SR700-A DC12    |
|                            |                        |                      |                         |                     |                       | 24 | G3RV-SR700-A DC24    |
|                            |                        |                      |                         |                     | AC/DC                 | 24 | G3RV-SR700-A AC/DC24 |
|                            | 48                     | G3RV-SR700-A AC/DC48 |                         |                     |                       |    |                      |
|                            | AC                     | 100                  |                         |                     | G3RV-SR700-A AC100    |    |                      |
|                            |                        | 110                  |                         |                     | G3RV-SR700-A AC110    |    |                      |
|                            |                        | 200                  |                         | G3RV-SR700-A AC200  |                       |    |                      |
|                            | No                     | DC                   |                         | 12                  | G3RV-SR700-AL DC12    |    |                      |
|                            |                        |                      |                         | 24                  | G3RV-SR700-AL DC24    |    |                      |
|                            |                        | AC/DC                |                         | 24                  | G3RV-SR700-AL AC/DC24 |    |                      |
|                            |                        |                      |                         | 48                  | G3RV-SR700-AL AC/DC48 |    |                      |
|                            |                        | AC                   |                         | 100                 | G3RV-SR700-AL AC100   |    |                      |
|                            |                        |                      | 110                     | G3RV-SR700-AL AC110 |                       |    |                      |
|                            | 200                    |                      | G3RV-SR700-AL AC200     |                     |                       |    |                      |
|                            |                        |                      | 230                     | G3RV-SR700-AL AC230 |                       |    |                      |

Note: Solid wire cannot be used for Push-In Plus terminal type. Make sure to use stranded wire or stranded wire with ferrules.

G2RV-SR

G3RV-SR

Common Precautions

Common Accessories

## Solid state relay for maintenance

### Model Number Legend

G3RV-□□S□□  
 (1) (2) (3) (4) (5)

**(1) Output voltage specification**  
 D: DC output  
 2: AC output

**(2) Rated current**  
 02: AC output 2 A  
 03: DC output 3 A

**(3) Terminal**  
 S: Plug-in type

**(4) Zero cross functions**  
 Blank: Zero cross function available  
 L: Zero cross function not available

**(5) Rated input voltage**  
 Number: 12, 24, 48 VDC



### List of Models

| Insulation method | Operation Display         | Output (SSR)          | Zero cross Function      | Rated output Load *        | Rated input voltage (socket) | Model                   | Applicable model          |                 |                        |
|-------------------|---------------------------|-----------------------|--------------------------|----------------------------|------------------------------|-------------------------|---------------------------|-----------------|------------------------|
| Photo-triac       | Yes (green)               | AC                    | Yes                      | 2 A (at 100 to 240 VAC)    | 12 VDC                       | G3RV-202S DC12          | G3RV-SR700/500-A DC12V    |                 |                        |
|                   |                           |                       |                          |                            | 24 VDC                       | G3RV-202S DC24          | G3RV-SR700/500-A DC24V    |                 |                        |
|                   |                           |                       |                          |                            | 24 VAC/VDC                   |                         | G3RV-SR700/500-A AC/DC24V |                 |                        |
|                   |                           |                       |                          |                            | 48 VAC/VDC                   | G3RV-202S DC48          | G3RV-SR700/500-A AC/DC48V |                 |                        |
|                   |                           |                       |                          |                            | 100 VAC                      |                         | G3RV-SR700/500-A AC100V   |                 |                        |
|                   |                           |                       |                          |                            | 110 VAC                      |                         | G3RV-SR700/500-A AC110V   |                 |                        |
|                   |                           |                       |                          |                            | 200 VAC                      |                         | G3RV-SR700/500-A AC200V   |                 |                        |
|                   |                           |                       |                          |                            | 230 VAC                      | G3RV-SR700/500-A AC230V |                           |                 |                        |
|                   |                           |                       |                          |                            | 12 VDC                       | G3RV-202SL DC12         | G3RV-SR700/500-AL DC12V   |                 |                        |
|                   |                           | 24 VDC                | G3RV-202SL DC24          | G3RV-SR700/500-AL DC24V    |                              |                         |                           |                 |                        |
|                   |                           | 24 VAC/VDC            |                          | G3RV-SR700/500-AL AC/DC24V |                              |                         |                           |                 |                        |
|                   |                           | 48 VAC/VDC            | G3RV-202SL DC48          | G3RV-SR700/500-AL AC/DC48V |                              |                         |                           |                 |                        |
|                   |                           | 100 VAC               |                          | G3RV-SR700/500-AL AC100V   |                              |                         |                           |                 |                        |
|                   |                           | 110 VAC               |                          | G3RV-SR700/500-AL AC110V   |                              |                         |                           |                 |                        |
|                   |                           | 200 VAC               |                          | G3RV-SR700/500-AL AC200V   |                              |                         |                           |                 |                        |
|                   |                           | 230 VAC               | G3RV-SR700/500-AL AC230V |                            |                              |                         |                           |                 |                        |
|                   |                           | Photo-voltage coupler |                          | DC                         | -                            | 3 A (at 5 to 24 VDC)    | 12 VDC                    | G3RV-D03SL DC12 | G3RV-SR700/500-D DC12V |
|                   |                           |                       |                          |                            |                              |                         | 24 VDC                    | G3RV-D03SL DC24 | G3RV-SR700/500-D DC24V |
| 24 VAC/VDC        | G3RV-SR700/500-D AC/DC24V |                       |                          |                            |                              |                         |                           |                 |                        |
| 48 VAC/VDC        | G3RV-D03SL DC48           |                       |                          |                            |                              |                         | G3RV-SR700/500-D AC/DC48V |                 |                        |
| 100 VAC           |                           |                       |                          |                            |                              |                         | G3RV-SR700/500-D AC100V   |                 |                        |
| 110 VAC           |                           |                       |                          |                            |                              |                         | G3RV-SR700/500-D AC110V   |                 |                        |
| 200 VAC           |                           |                       |                          |                            |                              |                         | G3RV-SR700/500-D AC200V   |                 |                        |
| 230 VAC           | G3RV-SR700/500-D AC230V   |                       |                          |                            |                              |                         |                           |                 |                        |

\* Different depending on the ambient temperature.  
 For more details, refer to *Load current vs. ambient rated temperature* on page 16.

# G3RV-SR

## Specifications

### Rating (ambient temperature 25°C)

#### Input

##### G3RV-SR700/500-A series

| Rated input voltage | Rated current |        |       | Operation voltage | Release voltage | Input voltage                   |
|---------------------|---------------|--------|-------|-------------------|-----------------|---------------------------------|
|                     | AC            |        | DC    |                   |                 | Percentage of the rated voltage |
|                     | 50 Hz         | 60 Hz  |       |                   |                 |                                 |
| 12 VDC              | –             | –      | 15 mA | 10.8 V max.       | 1 V min.        | ±10%                            |
| 24 VDC              | –             | –      | 12 mA | 21.6 V max.       |                 |                                 |
| 24 VAC/VDC          | 20 mA         | 21 mA  | 11 mA | 21.6 V max.       |                 |                                 |
| 48 VAC/VDC          | 10 mA         | 11 mA  | 6 mA  | 43.2 V max.       |                 |                                 |
| 100 VAC             | 7.5 mA        | 7.5 mA | –     | 90 V max.         |                 |                                 |
| 110 VAC             | 7.5 mA        | 7.7 mA | –     | 99 V max.         |                 |                                 |
| 200 VAC             | 7.3 mA        | 8.6 mA | –     | 180 V max.        |                 |                                 |
| 230 VAC             | 7.3 mA        | 8.6 mA | –     | 207 V max.        |                 |                                 |

##### G3RV-SR700/500-AL series

| Rated input voltage | Rated current |        |       | Operation voltage | Release voltage | Input voltage                   |
|---------------------|---------------|--------|-------|-------------------|-----------------|---------------------------------|
|                     | AC            |        | DC    |                   |                 | Percentage of the rated voltage |
|                     | 50 Hz         | 60 Hz  |       |                   |                 |                                 |
| 12 VDC              | –             | –      | 15 mA | 10.8 V max.       | 1 V min.        | ±10%                            |
| 24 VDC              | –             | –      | 12 mA | 21.6 V max.       |                 |                                 |
| 24 VAC/VDC          | 20 mA         | 21 mA  | 11 mA | 21.6 V max.       |                 |                                 |
| 48 VAC/VDC          | 10 mA         | 11 mA  | 6 mA  | 43.2 V max.       |                 |                                 |
| 100 VAC             | 7.5 mA        | 7.7 mA | –     | 90 V max.         |                 |                                 |
| 110 VAC             | 7.5 mA        | 7.7 mA | –     | 99 V max.         |                 |                                 |
| 200 VAC             | 7.3 mA        | 8.6 mA | –     | 180 V max.        |                 |                                 |
| 230 VAC             | 7.3 mA        | 8.6 mA | –     | 207 V max.        |                 |                                 |

##### G3RV-SR700/500-D series

| Rated input voltage | Rated current |         |        | Operation voltage | Release voltage | Input voltage                   |
|---------------------|---------------|---------|--------|-------------------|-----------------|---------------------------------|
|                     | AC            |         | DC     |                   |                 | Percentage of the rated voltage |
|                     | 50 Hz         | 60 Hz   |        |                   |                 |                                 |
| 12 VDC              | –             | –       | 8 mA   | 10.8 V max.       | 1 V min.        | ±10%                            |
| 24 VDC              | –             | –       | 4.5 mA | 21.6 V max.       |                 |                                 |
| 24 VAC/VDC          | 10.7 mA       | 11.1 mA | 4.3 mA | 21.6 V max.       |                 |                                 |
| 48 VAC/VDC          | 9.6 mA        | 10.2 mA | 6 mA   | 43.2 V max.       |                 |                                 |
| 100 VAC             | 6.8 mA        | 7.2 mA  | –      | 90 V max.         |                 |                                 |
| 110 VAC             | 6.8 mA        | 7.2 mA  | –      | 99 V max.         |                 |                                 |
| 200 VAC             | 6.8 mA        | 8.1 mA  | –      | 180 V max.        |                 |                                 |
| 230 VAC             | 6.8 mA        | 8.1 mA  | –      | 207 V max.        |                 |                                 |

#### Output

| Item                                                                 | G3RV-SR700/500-A(L)                   | G3RV-SR700/500-D                         |
|----------------------------------------------------------------------|---------------------------------------|------------------------------------------|
| Rated load voltage                                                   | 100 to 240 VAC (50/60 Hz)             | 5 to 24 VDC                              |
| Load voltage range                                                   | 75 to 264 VAC (50/60 Hz)              | 3 to 26.4 VDC                            |
| Load current                                                         | 0.1 to 2 A (Ambient temperature=25°C) | 100 µA to 3 A (Ambient temperature=25°C) |
| Inrush current resistance                                            | 30 A (60 Hz, 1 cycle)                 | 30 A (60 Hz, 1 cycle)                    |
| Permissible I <sup>2</sup> t; Joule integral value (reference value) | 15A <sup>2</sup> s                    | 9 A <sup>2</sup> s                       |
| Applied load capacity                                                | 400 W<br>(Output voltage: 200 VAC)    | 72 W<br>(Output voltage: 24 VDC)         |

## Characteristics

| Item                                 | G3RV-SR700/500-A                                                                                                        | G3RV-SR700/500-AL | G3RV-SR700/500-D       |
|--------------------------------------|-------------------------------------------------------------------------------------------------------------------------|-------------------|------------------------|
| Operate time                         | 1/2 cycle of load power supply<br>+1 ms max.                                                                            | 3 ms max.         | 6 ms max.              |
| Release time                         | 60 ms max.                                                                                                              | 60 ms max.        | 60 ms max.             |
| Output ON voltage drop               | 1.6 V (RMS) max.                                                                                                        |                   | –                      |
| Output ON resistance                 | –                                                                                                                       |                   | 0.3 Ω max. (at 24 VDC) |
| Leakage current                      | 5 mA max. (at 200 VAC, 50/60 Hz)                                                                                        |                   | 10 μA max. (at 24 VDC) |
| Insulation resistance                | 100 MΩ min. (at 500 VDC)                                                                                                |                   |                        |
| Dielectric strength                  | Between input and output 2,500 VAC 50/60 Hz 1 min                                                                       |                   |                        |
| Vibration resistance                 | Malfunction: 10 to 55 to 10 Hz double amplitude 0.70 mm                                                                 |                   |                        |
| Shock resistance                     | 300m/s <sup>2</sup>                                                                                                     |                   |                        |
| Ambient operating temperature        | Storage: –30 to +100°C (with no icing or no condensation)<br>Operating: –30 to +55°C (with no icing or no condensation) |                   |                        |
| Ambient operating humidity           | 45 to 85% RH                                                                                                            |                   |                        |
| Weight                               | Approx. 38 g                                                                                                            |                   |                        |
| Pollution degree                     | 2                                                                                                                       |                   |                        |
| The degree of protection by IEC60529 | IP20                                                                                                                    |                   |                        |
| Rated impulse dielectric strength    | 4.0 kV/III                                                                                                              |                   |                        |
| Load category                        | LC-A                                                                                                                    |                   | DC-12                  |
| Overload current profile             | 1.5Ie 1.1Ie<br>5s ON, 10s OFF, 10 cycles                                                                                |                   |                        |
| Rated insulation voltage             | 240 V                                                                                                                   |                   |                        |

## Approved standards

### UL 508 (file No.E64562)

| Model                      | Input ratings                                          | Contact ratings                      |
|----------------------------|--------------------------------------------------------|--------------------------------------|
| G3RV-SR700/500-D series    | 12, 24 VDC<br>24, 48 VAC/VDC<br>100, 110, 200, 230 VAC | 24 VDC 3 A (resistive load) at 25°C  |
| G3RV-SR700/500-A(L) series | 12, 24 VDC<br>24, 48 VAC/DC<br>100, 110, 200, 230 VAC  | 240 VAC 2 A (resistive load) at 25°C |

### TÜV 62314

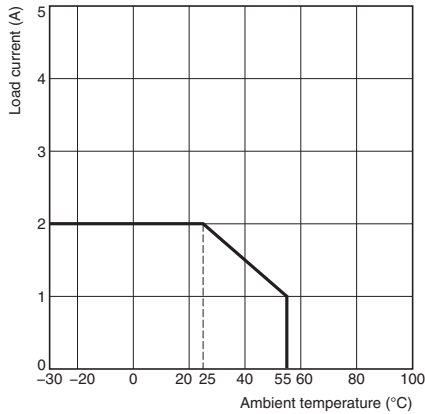
| Model                      | Input ratings                                          | Contact ratings              |
|----------------------------|--------------------------------------------------------|------------------------------|
| G3RV-SR700/500-D series    | 12, 24 VDC<br>24, 48 VAC/VDC<br>100, 110, 200, 230 VAC | 24 VDC 3 A (resistive load)  |
| G3RV-SR700/500-A(L) series | 12, 24 VDC<br>24, 48 VAC/VDC<br>100, 110, 200, 230 VAC | 240 VAC 2 A (resistive load) |

Engineering Data

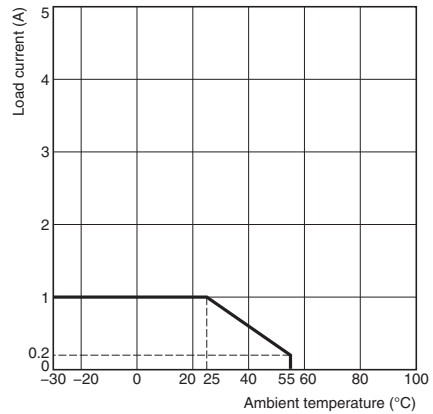
Load current vs. ambient rated temperature

G3RV-SR700/500-A(L) series

Product mounting spacing 10 mm (Separate Mounting)

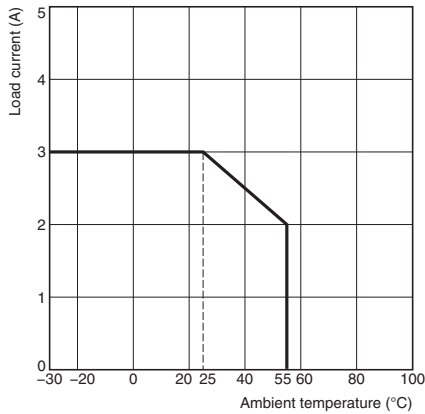


Close mounting (up to 5 units \*)

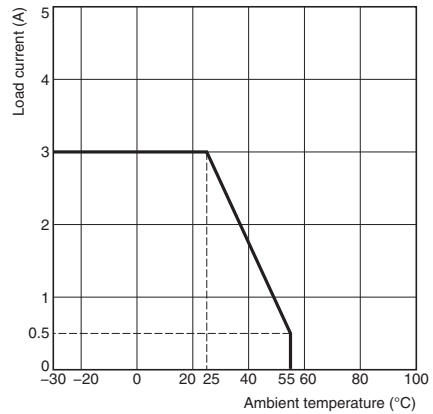


G3RV-SR700/500-D series

Product mounting spacing 10 mm (Separate Mounting)



Close mounting (up to 5 units \*)

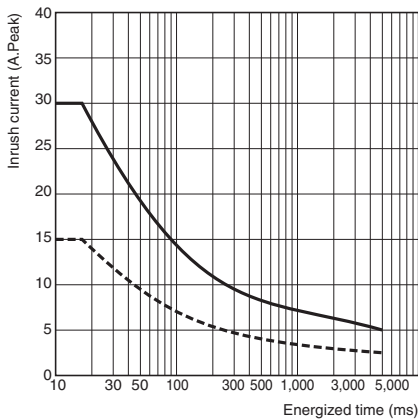


\* When five or more are installed, install with 10 mm space between each.  
For details, please refer to *Mounting* on page 23.

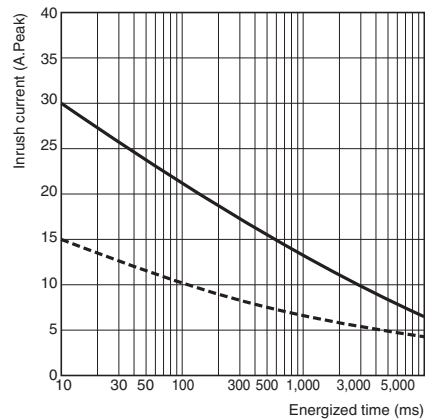
Inrush Current Resistance: Non-repetitive

Keep the inrush current to below the inrush current resistance value (i.e., below the broken line) if it occurs repetitively.

G3RV-SR700/500-A(L) series



G3RV-SR700/500-D series





# Dimensions

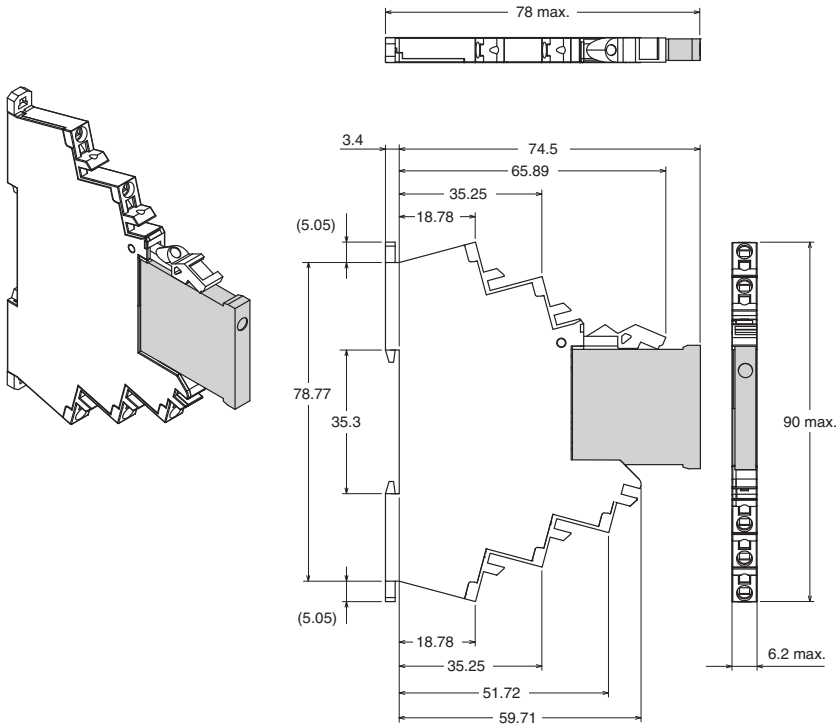
**Solid state relay + socket**  
**Push-In Plus Terminal Block**  
**G3RV-SR500**

G2RV-SR

G3RV-SR

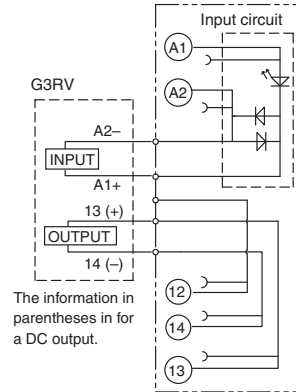
Common Precautions

Common Accessories

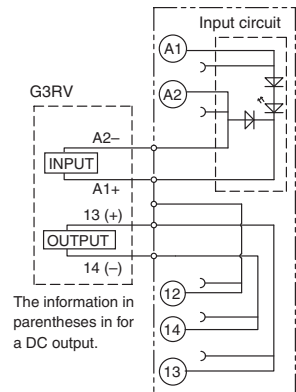


**Terminal Arrangement/  
Internal Connection Diagram  
(TOP VIEW)**

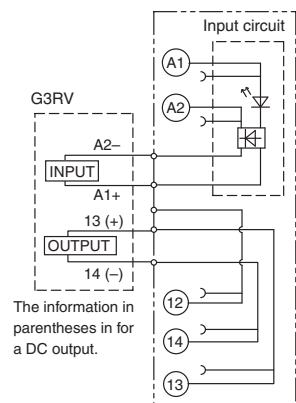
**12 VDC**



**24 VDC**



**Other voltage**



\* : Diode bridge

: Light emitting diode

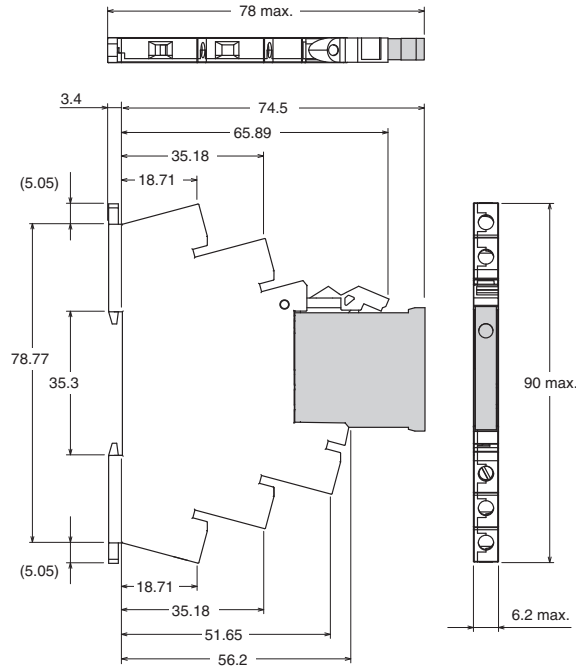
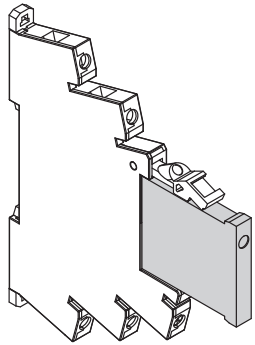
Screw terminal  
G3RV-SR700

G2RV-SR

G3RV-SR

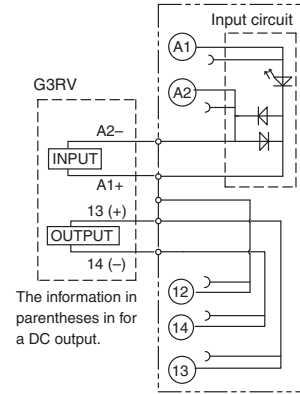
Common Precautions

Common Accessories

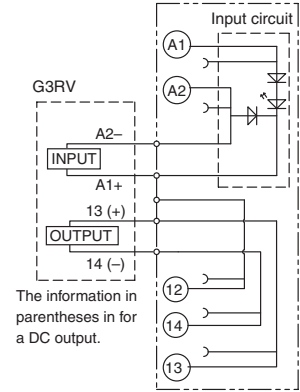


Terminal Arrangement/  
Internal Connection Diagram  
(TOP VIEW)

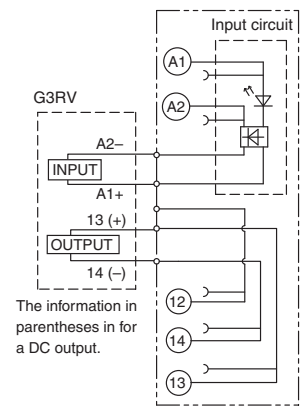
12 VDC



24 VDC



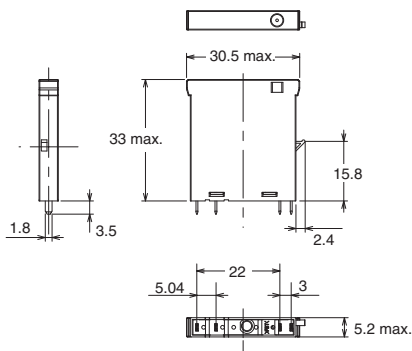
Other voltage



- \* : Diode bridge
- : Light emitting diode

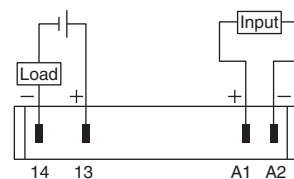
Solid state relay for maintenance

G3RV-D03SL  
G3RV-202S(L)

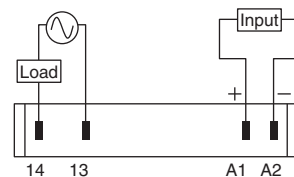


Terminal Arrangement/  
Internal Connection Diagram  
(TOP VIEW)

G3RV-D03SL (input circuit)



G3RV-202S(L) (input circuit)



G2RV-SR

G3RV-SR



Common Precautions

Common Accessories





Safety Precautions

Be sure to read the *Safety Precautions for All Relays* in the website at the following URL:  
[www.omron247.com](http://www.omron247.com).

Format of Warning Indications

|                                                                                                  |                                                                                                                                                                                                               |
|--------------------------------------------------------------------------------------------------|---------------------------------------------------------------------------------------------------------------------------------------------------------------------------------------------------------------|
|  <b>WARNING</b> | Indicates a potentially hazardous situation which, if not avoided, will result in minor or moderate injury, or may result in serious injury or death. Additionally, there may be significant property damage. |
|  <b>CAUTION</b> | Indicates a potentially hazardous situation which, if not avoided, may result in minor or moderate injury or in property damage.                                                                              |
| <b>Precautions for Safe Use</b>                                                                  | Indicates supplementary comments on what to do or avoid doing, to use the product safety.                                                                                                                     |
| <b>Precautions for Correct Use</b>                                                               | Includes operating precautions to ensure that the product will operate properly and that performance and functions will not be adversely affected.                                                            |

Meaning of Graphic Symbols for Ensuring Product Safety

|                                                                                     |                                                                                                                                                                                                           |
|-------------------------------------------------------------------------------------|-----------------------------------------------------------------------------------------------------------------------------------------------------------------------------------------------------------|
|    | Indicates the possibility of electric shock under specific conditions.                                                                                                                                    |
|   | Used for general CAUTION, WARNING, or DANGER precautions for which there is no specified symbol. (This symbol is also used as the alerting symbol, but shall not be used in this meaning on the product.) |
|  | Indicates the possibility of explosion or rupture under specific conditions.                                                                                                                              |
|  | Indicates the possibility of injuries by high temperature under specific conditions.                                                                                                                      |

 **WARNING**

Ensure that the socket is not charged during wiring and maintenance. Not doing so may result in electric shock.



Do not touch the terminal section of the G2RV-SR or the surrounding area while the power is being supplied. Doing so may result in electric shock.



 **CAUTION**

Minor electrical shock may occasionally occur. Do not touch the G3RV terminal section (i.e., current carrying parts) while the power is being supplied.



The G3RV may rupture if short-circuit current flows. As protection against accidents due to short-circuiting, be sure to install protective devices, such as fuses and no-fuse breakers, on the power supply side.



Minor electrical shock may occasionally occur. Do not touch the main circuit terminals on the G3RV immediately after the power supply has been turned OFF.

Shock may result due to the electrical charge stored in the built-in snubber circuit.



Note: G3RV-202S(L), G3RV-SR500/700-A(L) series models only

Minor burns may occasionally occur.

Do not touch the G3RV or the heat sink while the power is being supplied or immediately after the power supply has been turned OFF. The G3RV becomes extremely hot.



Provide a space of at least 3 mm between the G2RV-SR and ground. Not doing so may result in a ground fault.



**Precautions for Safe Use**

**Transport**

- Do not use the product if it has been dropped on the ground. Dropping the product may adversely affect performance.
- Do not drop the product or subject it to abnormal vibration or shock during transportation or mounting. Doing so may result in deterioration of performance, malfunction, or failure.
- Do not transport the product without it being packaged. Doing so may result in damage, malfunction, or failure.
- Do not transport the G3RV under the following conditions. Doing so may result in damage, malfunction, or deterioration of performance characteristics.
  - High temperature, high humidity conditions
  - Conditions such as temperature change that causes rapid condensation
  - Condition where it is not packaged

**Operating and Storage Environments**

- Do not use or store the product in the following locations. Doing so may result in damage, malfunction, or deterioration of performance characteristics.
  - Do not store in locations subject to ambient storage temperatures outside the range -40 to 70°C (for G2RV) and outside the range -30 to 100°C (for G3RV).
  - Locations subject to relative humidity outside the range 5% to 85% (for G2RV) and outside the range 45% to 85% (for G3RV).
  - Locations subject to high temperature or high humidity.
  - Conditions such as temperature change that causes rapid condensation
  - Locations where corrosive gases or flammable gases are present
  - Location where rainwater or water droplets gets splashed
  - Location with splashes of water, oil, and chemicals, etc.
  - Locations with much dust, salt, and iron powder
  - Location with blockers
  - Where static electricity or noise occurs
  - Where strong electromagnetic field is generated
  - Where there is a risk of exposure to radioactivity
- Do not use or store Sockets in environments that contain silicone gas, sulfidizing gas (e.g., SO<sub>2</sub> or H<sub>2</sub>S), or organic gas, or near materials that contain silicone. Doing so may cause the contacts to be unstable or to fail.

**Handling <G3RV>**

- Keep the G3RV well ventilated. There is a risk of short-circuiting or burning due to G3RV overheating.

**Mounting**

- Before you start wiring, please make sure that the socket is securely attached to the mounting rail. If the socket is unstable, it may come loose with a risk of injury towards the workers.
- Please insert the flat-blade screwdriver to the bottom of the hole. If you do not insert the flat-blade screwdriver correctly, the cable will not be connected correctly.
- When lubricant such as oil is attached to the tip of the driver, the driver will fall off, with a risk of injury towards the workers.

**Usage**

- Please select the load within the rated range. Doing so may result in damage, malfunction, or failure.
- Please use the power of the rated frequency. It may cause malfunction, failure, or risk of burnout.

**<G3RV>**

- Install G3RV according to instructions *Mounting* on page 23. If you install in the wrong direction, abnormal heat is generated, and may lead to short-circuiting or burning the output element.
- G3RV is an SSR that generates heat. Please observe the ambient temperature setting range of G3RV. If installing in an enclosed space, set a fan, and ventilate.
- When mounting G3RV to DIN rail, firmly fit it into the groove. If it is not properly installed, there is a risk of it falling.

**Wiring**

- For the current to be applied, make sure a wire size with margin is used. Otherwise, excessive heat generated by the wires may cause burning.
- Do not attempt to use the wire if the coat is torn. Not doing so may result in electric shock.
- Always turn OFF the power supply before performing wiring. Not doing so may cause electrical shock.

**<G3RV>**

- The wires of the socket for G3RV socket should not be passed through the same duct as that being connected to the high-voltage power supply. Otherwise, inductive noise may damage the G3RV or cause it to malfunction.

**Push-In Plus Terminal Block**

- Do not wire anything to the release holes.
- Do not tilt or twist a flat-blade screwdriver while it is inserted into a release hole on the terminal block. The terminal block may be damaged.
- Insert a flat-blade screwdriver into the release holes at an angle. The terminal block may be damaged if you insert the screwdriver straight in.
- Do not allow the flat-blade screwdriver to fall out while it is inserted into a release hole.
- Do not bend the wire past its natural bending radius or pull on it with excessive force. Doing so may cause the wire disconnection.
- Do not insert more than one wire into each terminal (insertion) hole.
- To prevent wiring materials from smoking or ignition, use the wiring materials given in the following table.

| Recommended Wire                           | Stripping length             |                                  |
|--------------------------------------------|------------------------------|----------------------------------|
|                                            | Ferrules When using terminal | Ferrules When not using terminal |
| 0.5 to 1.5 mm <sup>2</sup> /AWG20 to AWG16 | 10 mm                        | 8 mm                             |

**Note:** Use Ferrules with UL certification (R/C).

**Disposal**

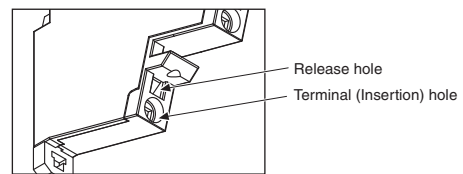
- Do not dispose of the product by burning.

**Precautions for Correct Use**

- Do not use or store the product in the following locations. Doing so may result in damage, malfunction, or deterioration of performance characteristics.
  - Where vibration or shock is directly transmitted to the body
  - Do not use the product where the socket could touch a solvent or alkaline agent.
- Do not insert short bar in the hole for wire or screw driver, it may cause the result of failure of pull out. If insert short bar in the hole for wire or screw driver and try to pull out, it may cause damage for short bar or socket.

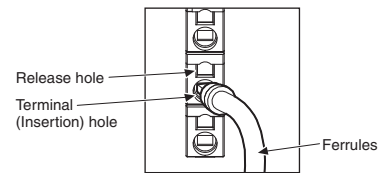
**Push-In Plus Terminal Block**

**1. Connecting Wires to the Push-In Plus Terminal Block**  
**Part Names of the Terminal Block**



**Connecting Wires with Ferrules**

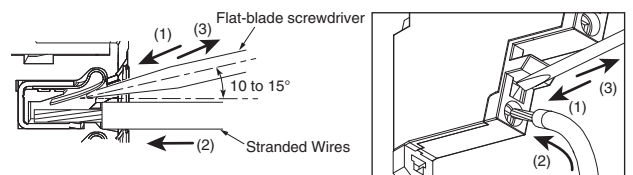
Insert the ferrule straight into the terminal block until the end strikes the terminal block.



**Connecting Stranded Wires**

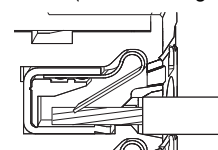
Use the following procedure to connect the wires to the terminal block.

- (1) Hold a flat-blade screwdriver at an angle and insert it into the release hole. The angle should be between 10° and 15°. If the flat-blade screwdriver is inserted correctly, you will feel the spring in the release hole respond.
- (2) With the flat-blade screwdriver still inserted into the release hole, insert the wire into the terminal hole until it strikes the terminal block.
- (3) Remove the flat-blade screwdriver from the release hole.



**Checking Connections**

- After insertion, pull gently on the wire to make sure that it will not come out (i.e., to confirm that it is held by the terminal block).
- To prevent short circuits, insert the stripped part of a stranded wire or the conductive part of a ferrule until it is hidden inside the terminal insertion hole. (See following diagram.)



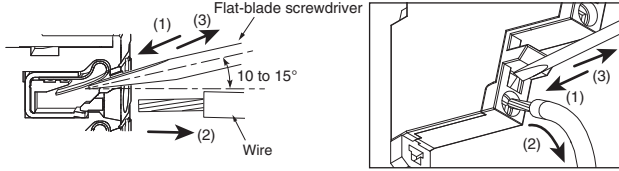
# G2RV-SR/G3RV-SR

G2RV-SR

## 2. Removing Wires from the Push-In Plus Terminal Block

Use the following procedure to remove wires from the terminal block. The same method is used to remove stranded wires and ferrules.

- (1) Hold a flat-blade screwdriver at an angle and insert it into the release hole.
- (2) With the flat-blade screwdriver still inserted into the release hole, remove the wire from the terminal insertion hole.
- (3) Remove the flat-blade screwdriver from the release hole.

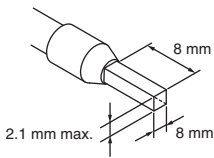


## 3. Recommended ferrules and tools

### Recommended Ferrules

| Applicable wire        |       | Ferrules Conduct length (mm) | Recommended ferrules                     |                    |               |
|------------------------|-------|------------------------------|------------------------------------------|--------------------|---------------|
| (mm <sup>2</sup> )     | (AWG) |                              | Phoenix Contact product                  | Weidmuller product | Wago product  |
| 0.5                    | 20    | 8                            | AI0.5-8                                  | H0.5/14            | FE-0.5-8N-WH  |
| 0.75                   | 18    | 8                            | AI0.75-8                                 | H0.75/14           | FE-0.75-8N-GY |
| 1                      | 18    | 8                            | AI1-8                                    | H1.0/14            | FE-1.0-8N-RD  |
| 1.5                    | 16    | 8                            | AI1.5-8                                  | H1.5/14            | FE-1.5-8N-BK  |
| Recommended crimp tool |       |                              | CRIMPFOX6<br>CRIMPFOX6T-F<br>CRIMPFOX10S | PZ6 roto           | Variocrimp4   |

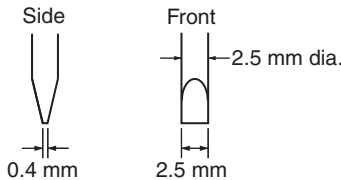
- \*1. Make sure that the outer diameter of the wire is smaller than the inner diameter of the insulating sleeve of the recommended ferrule.
- \*2. Make sure that the ferrule processing dimensions conform to the following figure.



### Recommended Flat-blade Screwdriver

Use a flat-blade screwdriver to connect and remove wires. Use the following table to select a flat-blade screwdriver.

The following table is the manufacturer and format at the time in December 2015.



| Model          | Manufacturer    |
|----------------|-----------------|
| XW4Z-00B       | Omron           |
| ESD0.40x2.5    | Wera            |
| SZF 0.4x2.5    | Phoenix Contact |
| 0.4x2.5x75 302 | Wiha            |
| AEF.2.5x75     | Facom           |
| 210-719        | Wago            |
| SDI 0.4x2.5x75 | Weidmuller      |

G3RV-SR

## Screw Terminal

### • Screw terminal

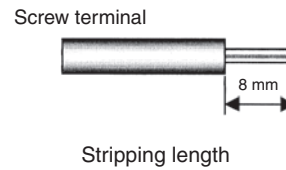
| Wired type                                          | Applicable wire size       | Stripping length |
|-----------------------------------------------------|----------------------------|------------------|
| Stranded wires, without ferrule                     | 0.5 to 1.5 mm <sup>2</sup> | 8 mm             |
| Stranded wires, with ferrule and plastic collar     | 0.5 to 1.5 mm <sup>2</sup> | 8 mm             |
| Stranded wires with ferrule, without plastic collar | 0.5 to 1.5 mm <sup>2</sup> | 8 mm             |

### • Tightening Torque

0.4 N · m

### • Electric wiring

Use the electric wire of specified size as shown above. The stripped wire length is 8 mm.



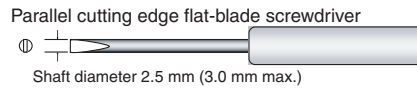
## <G2RV>

### Operating latching lever

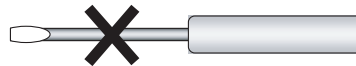
When operating the latching lever for G2RV-SR701/501 series, use a 2.5 mm width flat-blade screwdriver.

#### • Applicable flat-blade screwdriver

Flat-blade screwdriver with parallel cutting edge: shaft diameter 2.5 mm (3.0 mm max.)



Wide flat-blade screwdriver



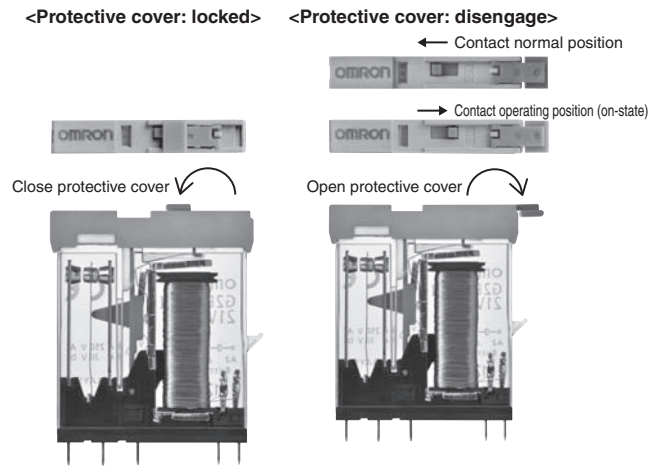
Driver with a thick shaft cannot be used.

- Always turn OFF the power supply before operating latching lever.
- Return to its original state after using the latching lever.
- Do not use the latching lever as a switch.
- Operation durability of the latching lever is 100 times or more.
- Do not keep the latching lever ON for a long period of time (24 hours or more) in order to maintain the operation check function.

Common Precautions

Common Accessories

**Method of operation of the latching lever**



Keep the protective cover open when using the latching lever. Move until the latching lever clicks to the ON position (ON state). After using the latching lever, in order to prevent malfunction, return the switch to contact normal position (OFF state), and make sure the protective cover is firmly closed.

**Using the latching lever**

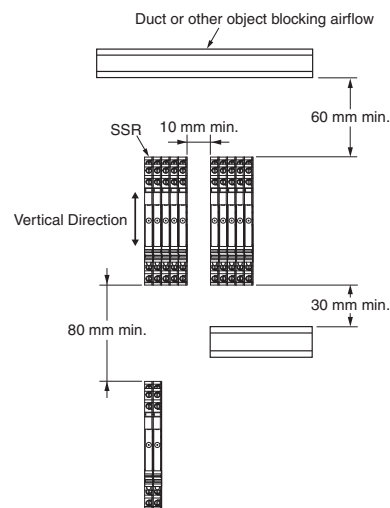
Example: check the operation of the relay and the sequence circuit

**<G3RV>**

- Since the G3RV uses electronic components, do not allow it to fall, vibrate, or apply shock that exceeds the criteria. Doing so may result in failure, malfunction, or deterioration of performance.
- Tighten screw terminal for G3RV with a torque of 0.4 N · m. It may cause short-circuit failure or burning.
- Please use the voltage and current suitable for the input and output terminal portion of G3RV. It may cause short-circuit failure or burning.

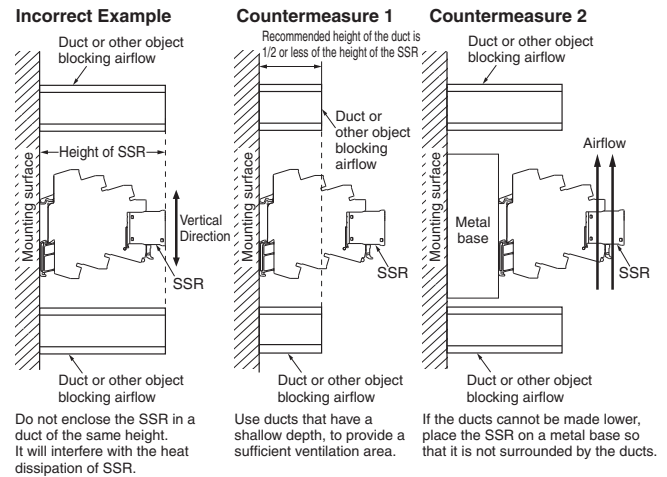
**Mounting**

**<The SSR Mounting Pitch (Panel Mounting)>**



\* When five or more are installed, install with 10 mm space between each.

**<Relationship of SSR and duct (duct depth)>**

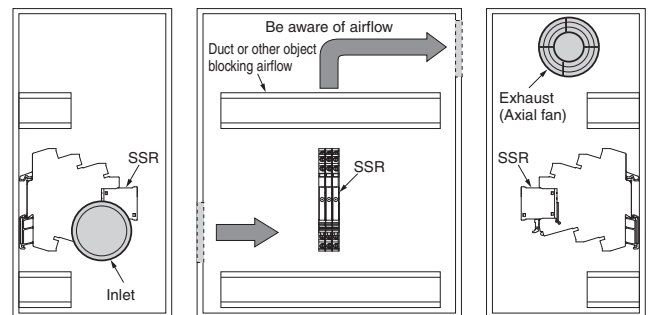


Do not enclose the SSR in a duct of the same height. It will interfere with the heat dissipation of SSR.

Use ducts that have a shallow depth, to provide a sufficient ventilation area.

If the ducts cannot be made lower, place the SSR on a metal base so that it is not surrounded by the ducts.

**<Ventilation Outside the Control Panel>**



- If the air inlet or air outlet has a filter, clean the filter regularly to prevent it from clogging to ensure an efficient flow of air.
- Do not place objects that may obstruct the proper ventilation for outside or inside the inlet or exhaust port, and in the outside vicinity.
- A heat exchanger, if used, should be located in front of the G3RV to ensure the efficiency of the heat exchanger.
- Please observe the ambient temperature of G3RV. The rated current of the G3RV is measured at an ambient temperature of 25°C.
- The G3RV uses a semiconductor in the output element. This causes the temperature inside the control panel to increase due to heating resulting from the flow of electrical current through the load. The G3RV reliability can be increased by adding a ventilation fan to the control panel to dispel this heat, thus lowering the ambient temperature of the G3RV. (It suggests that life expectancy is doubled by each 10°C reduction in ambient temperature.)

**EMI**

The G3RV is a Class A product (for industrial environments). When used in a residential environment, it may cause radio interference. In such case, the user may be required to take appropriate measures.

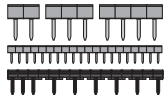
# G2RV-SR/G3RV-SR

G2RV-SR

For G2RV-SR/G3RV-SR  
Common Accessories (order separately)

## Ordering Information

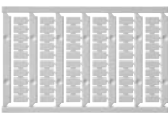
### Short Bars

| Appearance                                                                        | Pitch  | No. of poles | Colors                              | Model *       | Minimum order (Quantity) | Maximum energizing current |
|-----------------------------------------------------------------------------------|--------|--------------|-------------------------------------|---------------|--------------------------|----------------------------|
|  | 6.2 mm | 2            | Red (R),<br>Blue (S),<br>Yellow (Y) | PYDN-6.2-020□ | 10                       | 32 A                       |
|                                                                                   |        | 3            |                                     | PYDN-6.2-030□ |                          |                            |
|                                                                                   |        | 4            |                                     | PYDN-6.2-040□ |                          |                            |
|                                                                                   |        | 10           |                                     | PYDN-6.2-100□ |                          |                            |
|                                                                                   |        | 20           |                                     | PYDN-6.2-200□ |                          |                            |

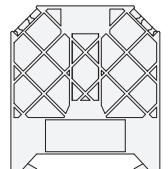
Note: Use for wiring to the adjacent socket.

\* Replace the box (□) in the model number with the code for the covering color. □ color selection: R = red, S = blue, Y = yellow

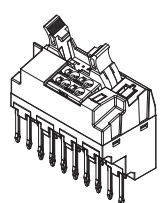
### Labels

| Appearance                                                                        | Model        | Minimum order                   |
|-----------------------------------------------------------------------------------|--------------|---------------------------------|
|  | XW5Z-P2.5LB2 | 5 sheets<br>(1 sheet/72 pieces) |

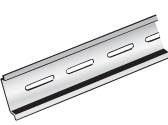

### Separate Plate

| Appearance                                                                          | Model     |
|-------------------------------------------------------------------------------------|-----------|
|  | XW5Z-EP12 |

### PLC interface unit

| Appearance                                                                          | I/O classification | Common process | Connection method | Model         |
|-------------------------------------------------------------------------------------|--------------------|----------------|-------------------|---------------|
|  | For input          | PNP            | Push-In           | P2RVC-8-I-5-1 |
|                                                                                     |                    |                | Screw             | P2RVC-8-I-7-1 |
|                                                                                     |                    | NPN            | Push-In           | P2RVC-8-I-5   |
|                                                                                     | For output         | PNP            | Push-In           | P2RVC-8-O-5-1 |
|                                                                                     |                    |                | Screw             | P2RVC-8-O-7-1 |
|                                                                                     |                    | NPN            | Push-In           | P2RVC-8-O-5   |

### Parts for DIN Track Mounting

| Appearance                                                                          | Type       | Model | Minimum order (Quantity) |
|-------------------------------------------------------------------------------------|------------|-------|--------------------------|
|  | DIN Tracks | 1 m   | -                        |
|                                                                                     |            | 0.5 m |                          |
|  | End Plate* | PFP-M | 10                       |
|                                                                                     | Spacer     | PFP-S |                          |

\* When mounting components to DIN rail, prevent sliding using end plates (Model PFP-M).

Refer to your OMRON website for details on PFP-□.

G3RV-SR

Common Precautions

Common Accessories



• Applicable Cables

| Name                                              | Appearance | Cable length L (mm) | Connecting Cables    | Applicable Connectors                                                                      |                      |
|---------------------------------------------------|------------|---------------------|----------------------|--------------------------------------------------------------------------------------------|----------------------|
| Cables with Loose Wires<br>P2RV-A□C               |            | 1,000               | P2RV-A100C           | Various devices                                                                            |                      |
|                                                   |            | 2,000               | P2RV-A200C           |                                                                                            |                      |
|                                                   |            | 3,000               | P2RV-A300C           |                                                                                            |                      |
|                                                   |            | 5,000               | P2RV-A500C           |                                                                                            |                      |
| Cables with Connectors (1:4)<br>P2RV-4-□C         |            | 1,000               | P2RV-4-100C          | PLC I/O Units with MIL connectors (1:4)<br>CJ1W-OD232/OD262, etc.                          |                      |
|                                                   |            | 2,000               | P2RV-4-200C          |                                                                                            |                      |
|                                                   |            | 3,000               | P2RV-4-300C          |                                                                                            |                      |
|                                                   |            | 5,000               | P2RV-4-500C          |                                                                                            |                      |
| Cables with Connectors (1:4)<br>P2RV-4-□IMC       |            | 1,000               | P2RV-4-100IMC        | PLC I/O Units with MIL connectors (1:4)<br>CJ1W-ID232/ID262, etc.                          |                      |
|                                                   |            | 2,000               | P2RV-4-200IMC        |                                                                                            |                      |
|                                                   |            | 3,000               | P2RV-4-300IMC        |                                                                                            |                      |
|                                                   |            | 5,000               | P2RV-4-500IMC        |                                                                                            |                      |
| Cables with Connectors (1:4)<br>P2RV-4-□IFC       |            | 1,000               | P2RV-4-100IFC        | PLC I/O Units with Fujitsu connectors (1:4)<br>CJ1W-ID231/ID261, etc.                      |                      |
|                                                   |            | 2,000               | P2RV-4-200IFC        |                                                                                            |                      |
|                                                   |            | 3,000               | P2RV-4-300IFC        |                                                                                            |                      |
|                                                   |            | 5,000               | P2RV-4-500IFC        |                                                                                            |                      |
| Cables with Connectors (1:1)<br>P2RV-A□C-OMR GRT1 |            | 500                 | P2RV-A050C-OMR GRT1  | Slice I/O Units (1:1)<br>For inputs: GRT1-ID8-1<br>For outputs: GRT1-OD8-1                 |                      |
|                                                   |            | 1,000               | P2RV-A100C-OMR GRT1  |                                                                                            |                      |
|                                                   |            | 8 input points      | 500                  |                                                                                            | P2RV-A050IC-OMR GRT1 |
|                                                   |            | 1,000               | P2RV-A100IC-OMR GRT1 |                                                                                            |                      |
| Cables with Connectors (1:1)<br>P2RV-A□C-OMR NX   |            | 500                 | P2RV-A050C-OMR NX    | PLC I/O Units with MIL connectors (1:1)<br>For inputs: NX-ID4442<br>For outputs: NX-OD4256 |                      |
|                                                   |            | 1,000               | P2RV-A100C-OMR NX    |                                                                                            |                      |
|                                                   |            | 8 input points      | 500                  |                                                                                            | P2RV-A050IC-OMR NX   |
|                                                   |            | 1,000               | P2RV-A100IC-OMR NX   |                                                                                            |                      |

G2RV-SR

G3RV-SR

Common Precautions

Common Accessories

# G2RV-SR/G3RV-SR

G2RV-SR

G3RV-SR

Common Precautions

Common Accessories

| Name                                                                                                            |                                                                                                                | Appearance | Cable length L (mm) | Connecting Cables                                                                                               | Applicable Connectors                                                                                               |                 |
|-----------------------------------------------------------------------------------------------------------------|----------------------------------------------------------------------------------------------------------------|------------|---------------------|-----------------------------------------------------------------------------------------------------------------|---------------------------------------------------------------------------------------------------------------------|-----------------|
| Schneider Electric PLC Connecting Cables<br>P2RV-□C-SCH-□                                                       | 32 input points                                                                                                |            | 500                 | P2RV-050C-SCH-A                                                                                                 | Schneider Electric PLCs with 32-point connectors (1:4)<br>For inputs: 140 DDI 353 00<br>For outputs: 140 DDO 353 00 |                 |
|                                                                                                                 |                                                                                                                |            | 1,000               | P2RV-100C-SCH-A                                                                                                 |                                                                                                                     |                 |
|                                                                                                                 |                                                                                                                |            | 2,000               | P2RV-200C-SCH-A                                                                                                 |                                                                                                                     |                 |
|                                                                                                                 |                                                                                                                |            | 3,000               | P2RV-300C-SCH-A                                                                                                 |                                                                                                                     |                 |
|                                                                                                                 |                                                                                                                |            | 5,000               | P2RV-500C-SCH-A                                                                                                 |                                                                                                                     |                 |
|                                                                                                                 | 32 output points                                                                                               |            | 500                 | P2RV-050C-SCH-B                                                                                                 |                                                                                                                     |                 |
|                                                                                                                 |                                                                                                                |            | 1,000               | P2RV-100C-SCH-B                                                                                                 |                                                                                                                     |                 |
|                                                                                                                 |                                                                                                                |            | 2,000               | P2RV-200C-SCH-B                                                                                                 |                                                                                                                     |                 |
|                                                                                                                 |                                                                                                                |            | 3,000               | P2RV-300C-SCH-B                                                                                                 |                                                                                                                     |                 |
|                                                                                                                 |                                                                                                                |            | 5,000               | P2RV-500C-SCH-B                                                                                                 |                                                                                                                     |                 |
| Schneider Electric PLCs with 16-point connectors (1:2)<br>For inputs: BMX DDI 1602<br>For outputs: BMX DDO 1602 | 16 input points                                                                                                | 500        | P2RV-050C-SCH-C     | Schneider Electric PLCs with 16-point connectors (1:2)<br>For inputs: BMX DDI 1602<br>For outputs: BMX DDO 1602 |                                                                                                                     |                 |
|                                                                                                                 |                                                                                                                | 1,000      | P2RV-100C-SCH-C     |                                                                                                                 |                                                                                                                     |                 |
|                                                                                                                 |                                                                                                                | 2,000      | P2RV-200C-SCH-C     |                                                                                                                 |                                                                                                                     |                 |
|                                                                                                                 |                                                                                                                | 3,000      | P2RV-300C-SCH-C     |                                                                                                                 |                                                                                                                     |                 |
|                                                                                                                 |                                                                                                                | 5,000      | P2RV-500C-SCH-C     |                                                                                                                 |                                                                                                                     |                 |
|                                                                                                                 | 16 output points                                                                                               | 500        | P2RV-050C-SCH-D     |                                                                                                                 |                                                                                                                     |                 |
|                                                                                                                 |                                                                                                                | 1,000      | P2RV-100C-SCH-D     |                                                                                                                 |                                                                                                                     |                 |
|                                                                                                                 |                                                                                                                | 2,000      | P2RV-200C-SCH-D     |                                                                                                                 |                                                                                                                     |                 |
|                                                                                                                 |                                                                                                                | 3,000      | P2RV-300C-SCH-D     |                                                                                                                 |                                                                                                                     |                 |
|                                                                                                                 |                                                                                                                | 5,000      | P2RV-500C-SCH-D     |                                                                                                                 |                                                                                                                     |                 |
| Siemens PLC Connecting Cables<br>P2RV-□C-SIM-□                                                                  | 32 input points                                                                                                |            | 500                 | P2RV-050C-SIM-A                                                                                                 | Siemens PLCs with 32-point connectors (1:4)<br>For inputs: 6ES7 321-1BL00-0AA0<br>For outputs: 6ES7 322-1BL00-0AA0  |                 |
|                                                                                                                 |                                                                                                                |            | 1,000               | P2RV-100C-SIM-A                                                                                                 |                                                                                                                     |                 |
|                                                                                                                 |                                                                                                                |            | 2,000               | P2RV-200C-SIM-A                                                                                                 |                                                                                                                     |                 |
|                                                                                                                 |                                                                                                                |            | 3,000               | P2RV-300C-SIM-A                                                                                                 |                                                                                                                     |                 |
|                                                                                                                 |                                                                                                                |            | 5,000               | P2RV-500C-SIM-A                                                                                                 |                                                                                                                     |                 |
|                                                                                                                 | 32 output points                                                                                               |            | 500                 | P2RV-050C-SIM-B                                                                                                 |                                                                                                                     |                 |
|                                                                                                                 |                                                                                                                |            | 1,000               | P2RV-100C-SIM-B                                                                                                 |                                                                                                                     |                 |
|                                                                                                                 |                                                                                                                |            | 2,000               | P2RV-200C-SIM-B                                                                                                 |                                                                                                                     |                 |
|                                                                                                                 |                                                                                                                |            | 3,000               | P2RV-300C-SIM-B                                                                                                 |                                                                                                                     |                 |
|                                                                                                                 |                                                                                                                |            | 5,000               | P2RV-500C-SIM-B                                                                                                 |                                                                                                                     |                 |
|                                                                                                                 | 16 input points                                                                                                |            | 500                 | P2RV-050C-SIM-C                                                                                                 | Siemens PLCs with 16-point connectors (1:2)<br>For inputs: 6ES7 321-1BH02-0AA0                                      |                 |
|                                                                                                                 |                                                                                                                |            | 1,000               | P2RV-100C-SIM-C                                                                                                 |                                                                                                                     |                 |
|                                                                                                                 |                                                                                                                |            | 2,000               | P2RV-200C-SIM-C                                                                                                 |                                                                                                                     |                 |
|                                                                                                                 |                                                                                                                |            | 3,000               | P2RV-300C-SIM-C                                                                                                 |                                                                                                                     |                 |
|                                                                                                                 |                                                                                                                |            | 5,000               | P2RV-500C-SIM-C                                                                                                 |                                                                                                                     |                 |
|                                                                                                                 | Siemens PLCs with 32-point connectors (1:4)<br>For inputs: 6ES7 421-1BL-0AA0<br>For outputs: 6ES7 422-1BL-0AA0 |            | 32 input points     | 500                                                                                                             |                                                                                                                     | P2RV-050C-SIM-D |
|                                                                                                                 |                                                                                                                |            |                     | 1,000                                                                                                           |                                                                                                                     | P2RV-100C-SIM-D |
|                                                                                                                 |                                                                                                                |            |                     | 2,000                                                                                                           |                                                                                                                     | P2RV-200C-SIM-D |
|                                                                                                                 |                                                                                                                |            |                     | 3,000                                                                                                           |                                                                                                                     | P2RV-300C-SIM-D |
|                                                                                                                 |                                                                                                                |            |                     | 5,000                                                                                                           |                                                                                                                     | P2RV-500C-SIM-D |
| 32 output points                                                                                                |                                                                                                                | 500        | P2RV-050C-SIM-E     |                                                                                                                 |                                                                                                                     |                 |
|                                                                                                                 |                                                                                                                | 1,000      | P2RV-100C-SIM-E     |                                                                                                                 |                                                                                                                     |                 |
|                                                                                                                 |                                                                                                                | 2,000      | P2RV-200C-SIM-E     |                                                                                                                 |                                                                                                                     |                 |
|                                                                                                                 |                                                                                                                | 3,000      | P2RV-300C-SIM-E     |                                                                                                                 |                                                                                                                     |                 |
|                                                                                                                 |                                                                                                                | 5,000      | P2RV-500C-SIM-E     |                                                                                                                 |                                                                                                                     |                 |

PLC interface unit

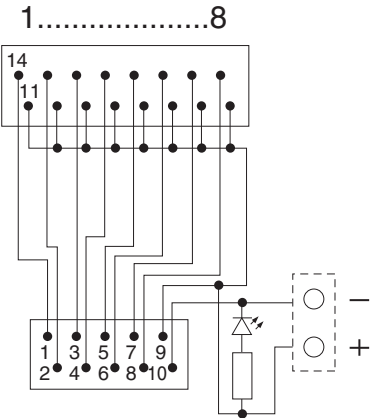
Ratings / characteristics

|                               |                       |
|-------------------------------|-----------------------|
| Rated voltage                 | 30 VAC/DC             |
| Rated current                 | 0.5 A/poles, 2 A/unit |
| Ambient operating temperature | -40 to 55°C           |

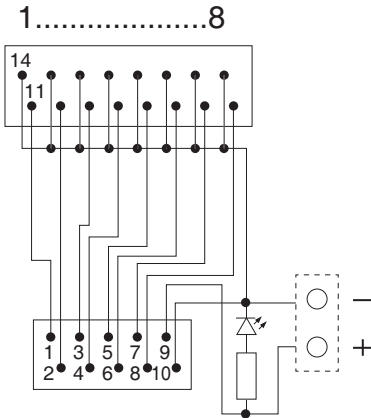
Electrical schematic

Input

P2RVC-8-I-□-1 (PNP)

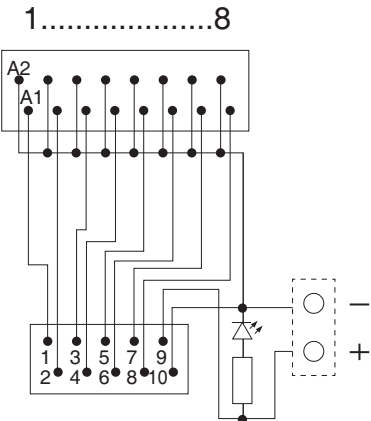


P2RVC-8-I-5 (NPN)

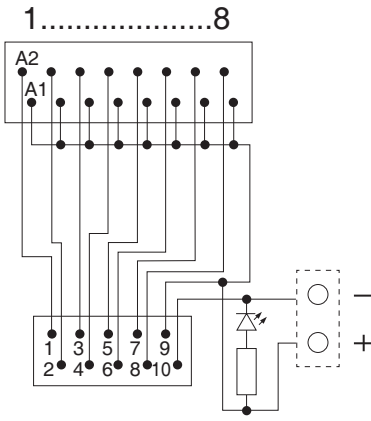


Output

P2RVC-8-O-□-1 (PNP)



P2RVC-8-O-5 (NPN)



G2RV-SR

G3RV-SR

Common Precautions

Common Accessories

# G2RV-SR/G3RV-SR

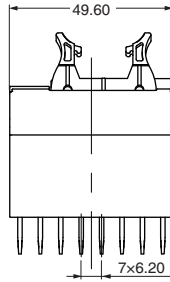
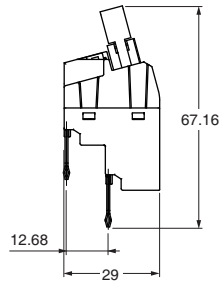
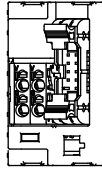
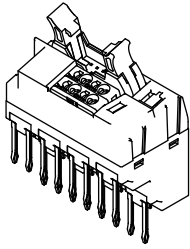
## Dimensions

(unit: mm)

### PLC interface unit

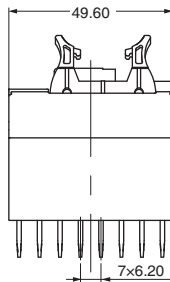
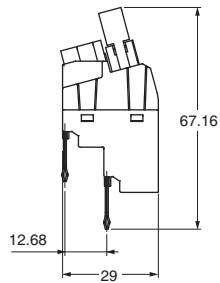
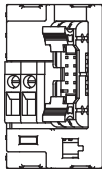
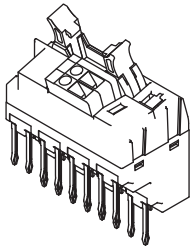
Push-IN  
P2RVC-8-I-5(-1)  
P2RVC-8-O-5(-1)

G2RV-SR



G3RV-SR

Screw  
P2RVC-8-I-7-1  
P2RVC-8-O-7-1



Common Precautions

Common Accessories

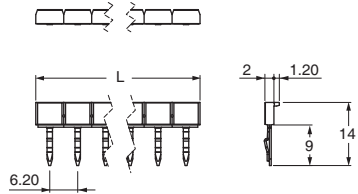
(Except for PLC interface unit)  
**Common Accessories**

**Dimensions**

(unit: mm)

**Short Bars**

PYDN-6.2-□□ (6.2 mm)

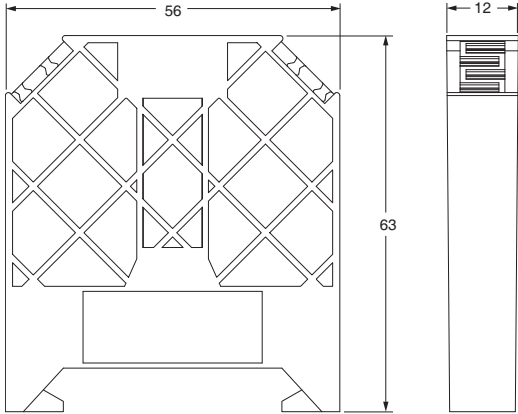


| Pitch  | No. of poles | L (Length) | Colors                            | Model *       | Maximum carry current |
|--------|--------------|------------|-----------------------------------|---------------|-----------------------|
| 6.2 mm | 2            | 12.4       | Red (R)<br>Blue (S)<br>Yellow (Y) | PYDN-6.2-020□ | 32 A                  |
|        | 3            | 18.6       |                                   | PYDN-6.2-030□ |                       |
|        | 4            | 24.8       |                                   | PYDN-6.2-040□ |                       |
|        | 10           | 62         |                                   | PYDN-6.2-100□ |                       |
|        | 20           | 124        |                                   | PYDN-6.2-200□ |                       |

**Note:** Use the Short Bars for crossover wiring within one Socket or between Sockets.  
 \* Replace the box (□) in the model number with the code for the covering color.

**Separate Plate**

XW5Z-EP12



**Parts for DIN Track Mounting**

Refer to your OMRON website for details on the PFP-□.

G2RV-SR

G3RV-SR

Common Precautions

Common Accessories

# Terms and Conditions of Sale

1. **Offer; Acceptance.** These terms and conditions (these "**Terms**") are deemed part of all quotes, agreements, purchase orders, acknowledgments, price lists, catalogs, manuals, brochures and other documents, whether electronic or in writing, relating to the sale of products or services (collectively, the "**Products**") by Omron Electronics LLC and its subsidiary companies ("**Omron**"). Omron objects to any terms or conditions proposed in Buyer's purchase order or other documents which are inconsistent with, or in addition to, these Terms.
2. **Prices; Payment Terms.** All prices stated are current, subject to change without notice by Omron. Omron reserves the right to increase or decrease prices on any unshipped portions of outstanding orders. Payments for Products are due net 30 days unless otherwise stated in the invoice.
3. **Discounts.** Cash discounts, if any, will apply only on the net amount of invoices sent to Buyer after deducting transportation charges, taxes and duties, and will be allowed only if (i) the invoice is paid according to Omron's payment terms and (ii) Buyer has no past due amounts.
4. **Interest.** Omron, at its option, may charge Buyer 1-1/2% interest per month or the maximum legal rate, whichever is less, on any balance not paid within the stated terms.
5. **Orders.** Omron will accept no order less than \$200 net billing.
6. **Governmental Approvals.** Buyer shall be responsible for, and shall bear all costs involved in, obtaining any government approvals required for the importation or sale of the Products.
7. **Taxes.** All taxes, duties and other governmental charges (other than general real property and income taxes), including any interest or penalties thereon, imposed directly or indirectly on Omron or required to be collected directly or indirectly by Omron for the manufacture, production, sale, delivery, importation, consumption or use of the Products sold hereunder (including customs duties and sales, excise, use, turnover and license taxes) shall be charged to and remitted by Buyer to Omron.
8. **Financial.** If the financial position of Buyer at any time becomes unsatisfactory to Omron, Omron reserves the right to stop shipments or require satisfactory security or payment in advance. If Buyer fails to make payment or otherwise comply with these Terms or any related agreement, Omron may (without liability and in addition to other remedies) cancel any unshipped portion of Products sold hereunder and stop any Products in transit until Buyer pays all amounts, including amounts payable hereunder, whether or not then due, which are owing to it by Buyer. Buyer shall in any event remain liable for all unpaid accounts.
9. **Cancellation; Etc.** Orders are not subject to rescheduling or cancellation unless Buyer indemnifies Omron against all related costs or expenses.
10. **Force Majeure.** Omron shall not be liable for any delay or failure in delivery resulting from causes beyond its control, including earthquakes, fires, floods, strikes or other labor disputes, shortage of labor or materials, accidents to machinery, acts of sabotage, riots, delay in or lack of transportation or the requirements of any government authority.
11. **Shipping; Delivery.** Unless otherwise expressly agreed in writing by Omron:
  - a. Shipments shall be by a carrier selected by Omron; Omron will not drop ship except in "break down" situations.
  - b. Such carrier shall act as the agent of Buyer and delivery to such carrier shall constitute delivery to Buyer;
  - c. All sales and shipments of Products shall be FOB shipping point (unless otherwise stated in writing by Omron), at which point title and risk of loss shall pass from Omron to Buyer; provided that Omron shall retain a security interest in the Products until the full purchase price is paid;
  - d. Delivery and shipping dates are estimates only; and
  - e. Omron will package Products as it deems proper for protection against normal handling and extra charges apply to special conditions.
12. **Claims.** Any claim by Buyer against Omron for shortage or damage to the Products occurring before delivery to the carrier must be presented in writing to Omron within 30 days of receipt of shipment and include the original transportation bill signed by the carrier noting that the carrier received the Products from Omron in the condition claimed.
13. **Warranties.** (a) **Exclusive Warranty.** Omron's exclusive warranty is that the Products will be free from defects in materials and workmanship for a period of twelve months from the date of sale by Omron (or such other period expressed in writing by Omron). Omron disclaims all other warranties, express or implied. (b) **Limitations.** OMRON MAKES NO WARRANTY OR REPRESENTATION, EXPRESS OR IMPLIED, ABOUT NON-INFRINGEMENT, MERCHANTABILITY OR FITNESS FOR A PARTICULAR PURPOSE OF THE PRODUCTS. BUYER ACKNOWLEDGES THAT IT ALONE HAS DETERMINED THAT THE PRODUCTS WILL SUITABLY MEET THE REQUIREMENTS OF THEIR INTENDED USE. Omron further disclaims all warranties and responsibility of any type for claims or expenses based on infringement by the Products or otherwise of any intellectual property right. (c) **Buyer Remedy.** Omron's sole obligation hereunder shall be, at Omron's election, to (i) replace (in the form originally shipped with Buyer responsible for labor charges for removal or replacement thereof) the non-complying Product, (ii) repair the non-complying Product, or (iii) repay or credit Buyer an amount equal to the purchase price of the non-complying Product; provided that in no event shall Omron be responsible for warranty, repair, indemnity or any other claims or expenses regarding the Products unless Omron's analysis confirms that the Products were properly handled, stored, installed and maintained and not subject to contamination, abuse, misuse or inappropriate modification. Return of any Products by Buyer must be approved in writing by Omron before shipment. Omron Companies shall not be liable for the suitability or unsuitability or the results from the use of Products in combination with any electrical or electronic components, circuits, system assemblies or any other materials or substances or environments. Any advice, recommendations or information given orally or in writing, are not to be construed as an amendment or addition to the above warranty. See <http://www.omron247.com> or contact your Omron representative for published information.
14. **Limitation on Liability; Etc.** OMRON COMPANIES SHALL NOT BE LIABLE FOR SPECIAL, INDIRECT, INCIDENTAL, OR CONSEQUENTIAL DAMAGES, LOSS OF PROFITS OR PRODUCTION OR COMMERCIAL LOSS IN ANY WAY CONNECTED WITH THE PRODUCTS, WHETHER SUCH CLAIM IS BASED IN CONTRACT, WARRANTY, NEGLIGENCE OR STRICT LIABILITY. Further, in no event shall liability of Omron Companies exceed the individual price of the Product on which liability is asserted.
15. **Indemnities.** Buyer shall indemnify and hold harmless Omron Companies and their employees from and against all liabilities, losses, claims, costs and expenses (including attorney's fees and expenses) related to any claim, investigation, litigation or proceeding (whether or not Omron is a party) which arises or is alleged to arise from Buyer's acts or omissions under these Terms or in any way with respect to the Products. Without limiting the foregoing, Buyer (at its own expense) shall indemnify and hold harmless Omron and defend or settle any action brought against such Companies to the extent based on a claim that any Product made to Buyer specifications infringed intellectual property rights of another party.
16. **Property; Confidentiality.** Any intellectual property in the Products is the exclusive property of Omron Companies and Buyer shall not attempt to duplicate it in any way without the written permission of Omron. Notwithstanding any charges to Buyer for engineering or tooling, all engineering and tooling shall remain the exclusive property of Omron. All information and materials supplied by Omron to Buyer relating to the Products are confidential and proprietary, and Buyer shall limit distribution thereof to its trusted employees and strictly prevent disclosure to any third party.
17. **Export Controls.** Buyer shall comply with all applicable laws, regulations and licenses regarding (i) export of products or information; (ii) sale of products to "forbidden" or other proscribed persons; and (iii) disclosure to non-citizens of regulated technology or information.
18. **Miscellaneous.** (a) **Waiver.** No failure or delay by Omron in exercising any right and no course of dealing between Buyer and Omron shall operate as a waiver of rights by Omron. (b) **Assignment.** Buyer may not assign its rights hereunder without Omron's written consent. (c) **Law.** These Terms are governed by the law of the jurisdiction of the home office of the Omron company from which Buyer is purchasing the Products (without regard to conflict of law principles). (d) **Amendment.** These Terms constitute the entire agreement between Buyer and Omron relating to the Products, and no provision may be changed or waived unless in writing signed by the parties. (e) **Severability.** If any provision hereof is rendered ineffective or invalid, such provision shall not invalidate any other provision. (f) **Setoff.** Buyer shall have no right to set off any amounts against the amount owing in respect of this invoice. (g) **Definitions.** As used herein, "including" means "including without limitation"; and "Omron Companies" (or similar words) mean Omron Corporation and any direct or indirect subsidiary or affiliate thereof.

## Certain Precautions on Specifications and Use

1. **Suitability of Use.** Omron Companies shall not be responsible for conformity with any standards, codes or regulations which apply to the combination of the Product in the Buyer's application or use of the Product. At Buyer's request, Omron will provide applicable third party certification documents identifying ratings and limitations of use which apply to the Product. This information by itself is not sufficient for a complete determination of the suitability of the Product in combination with the end product, machine, system, or other application or use. Buyer shall be solely responsible for determining appropriateness of the particular Product with respect to Buyer's application, product or system. Buyer shall take application responsibility in all cases but the following is a non-exhaustive list of applications for which particular attention must be given: (i) Outdoor use, uses involving potential chemical contamination or electrical interference, or conditions or uses not described in this document. (ii) Use in consumer products or any use in significant quantities. (iii) Energy control systems, combustion systems, railroad systems, aviation systems, medical equipment, amusement machines, vehicles, safety equipment, and installations subject to separate industry or government regulations. (iv) Systems, machines and equipment that could present a risk to life or property. Please know and observe all prohibitions of use applicable to this Product. NEVER USE THE PRODUCT FOR AN APPLICATION INVOLVING SERIOUS RISK TO LIFE OR PROPERTY OR IN LARGE QUANTITIES WITHOUT ENSURING THAT THE SYSTEM AS A WHOLE HAS BEEN DESIGNED TO ADDRESS THE RISKS, AND THAT THE OMRON'S PRODUCT IS PROPERLY RATED AND INSTALLED FOR THE INTENDED USE WITHIN THE OVERALL EQUIPMENT OR SYSTEM.
2. **Programmable Products.** Omron Companies shall not be responsible for the user's programming of a programmable Product, or any consequence thereof.
3. **Performance Data.** Data presented in Omron Company websites, catalogs and other materials is provided as a guide for the user in determining suitability and does not constitute a warranty. It may represent the result of Omron's test conditions, and the user must correlate it to actual application requirements. Actual performance is subject to the Omron's Warranty and Limitations of Liability.
4. **Change in Specifications.** Product specifications and accessories may be changed at any time based on improvements and other reasons. It is our practice to change part numbers when published ratings or features are changed, or when significant construction changes are made. However, some specifications of the Product may be changed without any notice. When in doubt, special part numbers may be assigned to fix or establish key specifications for your application. Please consult with your Omron's representative at any time to confirm actual specifications of purchased Product.
5. **Errors and Omissions.** Information presented by Omron Companies has been checked and is believed to be accurate; however, no responsibility is assumed for clerical, typographical or proofreading errors or omissions.

**OMRON AUTOMATION AMERICAS HEADQUARTERS** • Chicago, IL USA • 847.843.7900 • 800.556.6766 • [www.omron247.com](http://www.omron247.com)

**OMRON CANADA, INC. • HEAD OFFICE**

Toronto, ON, Canada • 416.286.6465 • 866.986.6766 • [www.omron247.com](http://www.omron247.com)

**OMRON ELECTRONICS DE MEXICO • HEAD OFFICE**

México DF • 52.55.59.01.43.00 • 01-800-226-6766 • [mela@omron.com](mailto:mela@omron.com)

**OMRON ELECTRONICS DE MEXICO • SALES OFFICE**

Apodaca, N.L. • 52.81.11.56.99.20 • 01-800-226-6766 • [mela@omron.com](mailto:mela@omron.com)

**OMRON ELETRÔNICA DO BRASIL LTDA • HEAD OFFICE**

São Paulo, SP, Brasil • 55.11.2101.6300 • [www.omron.com.br](http://www.omron.com.br)

**OMRON ARGENTINA • SALES OFFICE**

Cono Sur • 54.11.4783.5300

**OMRON CHILE • SALES OFFICE**

Santiago • 56.9.9917.3920

**OTHER OMRON LATIN AMERICA SALES**

54.11.4783.5300

**OMRON EUROPE B.V.** • Wegalaan 67-69, NL-2132 JD, Hoofddorp, The Netherlands. • +31 (0) 23 568 13 00 • [www.industrial.omron.eu](http://www.industrial.omron.eu)

*Authorized Distributor:*

**Controllers & I/O**

- Machine Automation Controllers (MAC) • Motion Controllers
- Programmable Logic Controllers (PLC) • Temperature Controllers • Remote I/O

**Robotics**

- Industrial Robots • Mobile Robots

**Operator Interfaces**

- Human Machine Interface (HMI)

**Motion & Drives**

- Machine Automation Controllers (MAC) • Motion Controllers • Servo Systems
- Frequency Inverters

**Vision, Measurement & Identification**

- Vision Sensors & Systems • Measurement Sensors • Auto Identification Systems

**Sensing**

- Photoelectric Sensors • Fiber-Optic Sensors • Proximity Sensors
- Rotary Encoders • Ultrasonic Sensors

**Safety**

- Safety Light Curtains • Safety Laser Scanners • Programmable Safety Systems
- Safety Mats and Edges • Safety Door Switches • Emergency Stop Devices
- Safety Switches & Operator Controls • Safety Monitoring/Force-guided Relays

**Control Components**

- Power Supplies • Timers • Counters • Programmable Relays
- Digital Panel Meters • Monitoring Products

**Switches & Relays**

- Limit Switches • Pushbutton Switches • Electromechanical Relays
- Solid State Relays

**Software**

- Programming & Configuration • Runtime

Компания «Океан Электроники» предлагает заключение долгосрочных отношений при поставках импортных электронных компонентов на взаимовыгодных условиях!

Наши преимущества:

- Поставка оригинальных импортных электронных компонентов напрямую с производств Америки, Европы и Азии, а так же с крупнейших складов мира;
- Широкая линейка поставок активных и пассивных импортных электронных компонентов (более 30 млн. наименований);
- Поставка сложных, дефицитных, либо снятых с производства позиций;
- Оперативные сроки поставки под заказ (от 5 рабочих дней);
- Экспресс доставка в любую точку России;
- Помощь Конструкторского Отдела и консультации квалифицированных инженеров;
- Техническая поддержка проекта, помощь в подборе аналогов, поставка прототипов;
- Поставка электронных компонентов под контролем ВП;
- Система менеджмента качества сертифицирована по Международному стандарту ISO 9001;
- При необходимости вся продукция военного и аэрокосмического назначения проходит испытания и сертификацию в лаборатории (по согласованию с заказчиком);
- Поставка специализированных компонентов военного и аэрокосмического уровня качества (Xilinx, Altera, Analog Devices, Intersil, Interpoint, Microsemi, Actel, Aeroflex, Peregrine, VPT, Syfer, Eurofarad, Texas Instruments, MS Kennedy, Miteq, Cobham, E2V, MA-COM, Hittite, Mini-Circuits, General Dynamics и др.);

Компания «Океан Электроники» является официальным дистрибьютором и эксклюзивным представителем в России одного из крупнейших производителей разъемов военного и аэрокосмического назначения «JONHON», а так же официальным дистрибьютором и эксклюзивным представителем в России производителя высокотехнологичных и надежных решений для передачи СВЧ сигналов «FORSTAR».



## JONHON

«JONHON» (основан в 1970 г.)

Разъемы специального, военного и аэрокосмического назначения:

(Применяются в военной, авиационной, аэрокосмической, морской, железнодорожной, горно- и нефтедобывающей отраслях промышленности)

«FORSTAR» (основан в 1998 г.)

ВЧ соединители, коаксиальные кабели, кабельные сборки и микроволновые компоненты:

(Применяются в телекоммуникациях гражданского и специального назначения, в средствах связи, РЛС, а так же военной, авиационной и аэрокосмической отраслях промышленности).



Телефон: 8 (812) 309-75-97 (многоканальный)

Факс: 8 (812) 320-03-32

Электронная почта: [ocean@oceanchips.ru](mailto:ocean@oceanchips.ru)

Web: <http://oceanchips.ru/>

Адрес: 198099, г. Санкт-Петербург, ул. Калинина, д. 2, корп. 4, лит. А