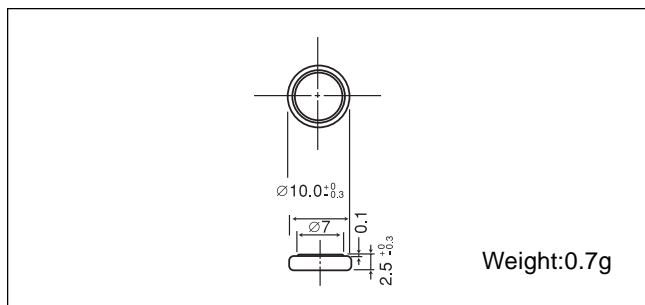


# Manganese Dioxide Lithium Coin Batteries: Individual Specifications

## CR1025

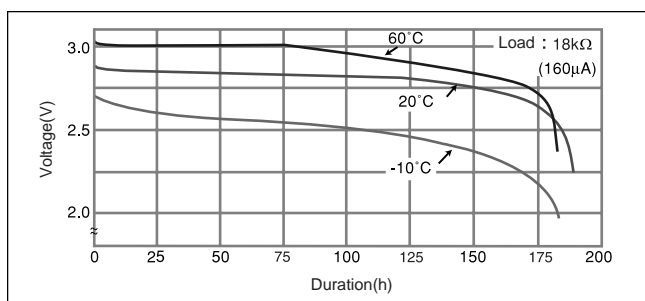
### ■ Dimensions(mm)



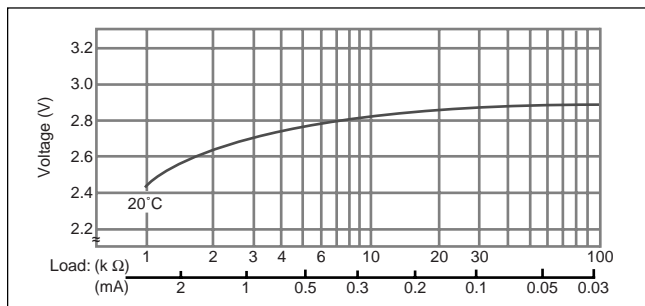
### ■ Specification

Nominal voltage (V)	3
Nominal capacity (mAh)	30
Continuous standard load (mA)	0.1
Operating temperature (C)	-30 ~ +60

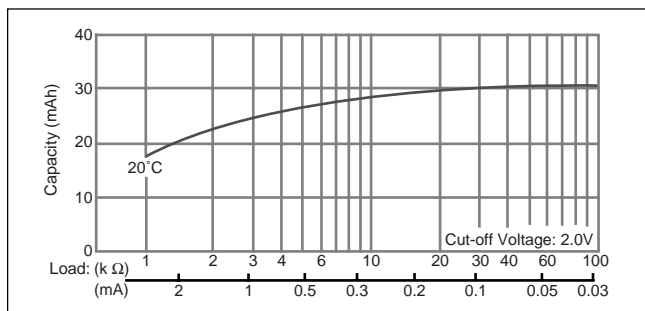
### ■ Temperature Characteristics



### ■ Operating voltage vs. load resistance (voltage at 50% discharge depth)

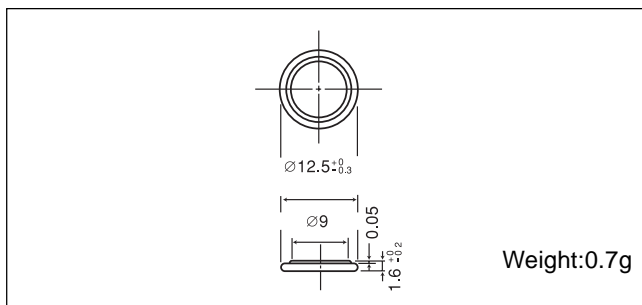


### ■ Capacity vs. load resistance



## CR1216

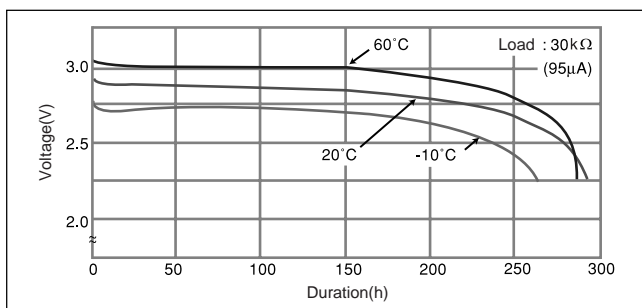
### ■ Dimensions(mm)



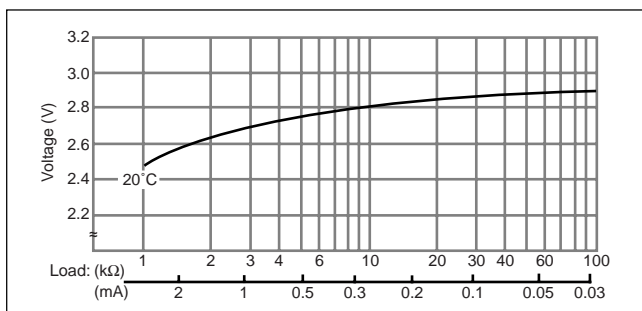
### ■ Specification

Nominal voltage (V)	3
Nominal capacity (mAh)	25
Continuous standard load (mA)	0.1
Operating temperature (C)	-30 ~ +60

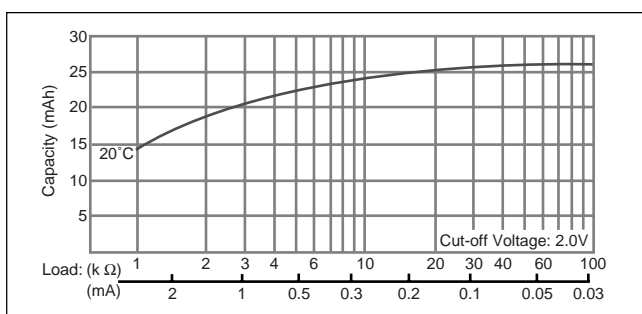
### ■ Temperature Characteristics



### ■ Operating voltage vs. load resistance (voltage at 50% discharge depth)



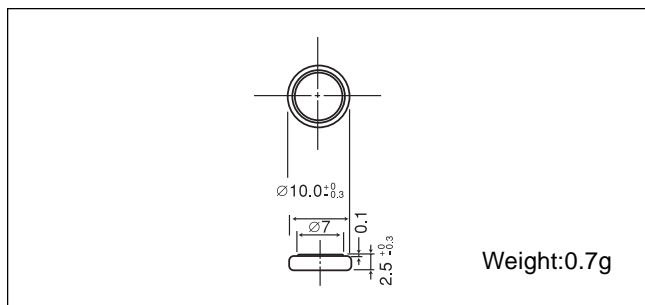
### ■ Capacity vs. load resistance



# Manganese Dioxide Lithium Coin Batteries: Individual Specifications

## CR1025

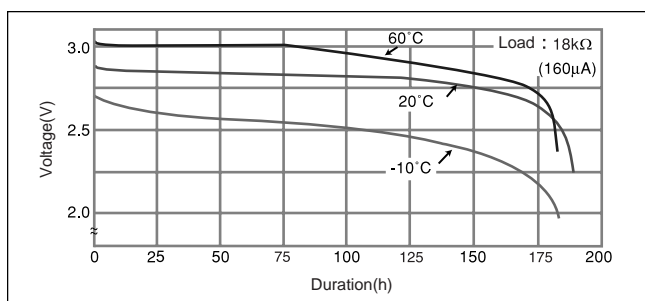
### ■ Dimensions(mm)



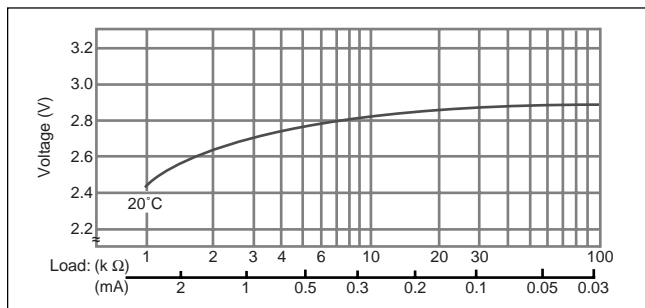
### ■ Specification

Nominal voltage (V)	3
Nominal capacity (mAh)	30
Continuous standard load (mA)	0.1
Operating temperature (C)	-30 ~ +60

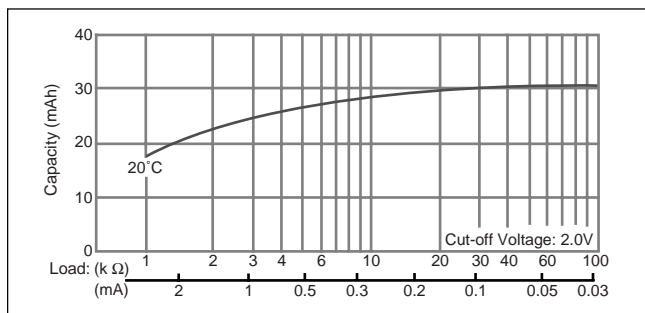
### ■ Temperature Characteristics



### ■ Operating voltage vs. load resistance (voltage at 50% discharge depth)

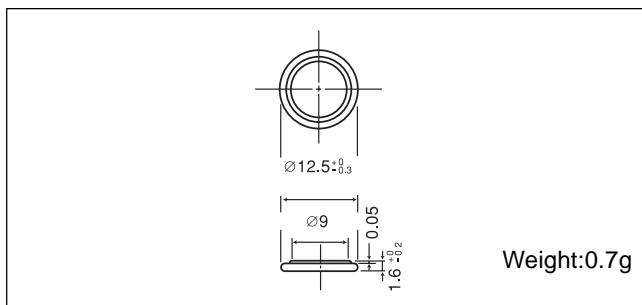


### ■ Capacity vs. load resistance



## CR1216

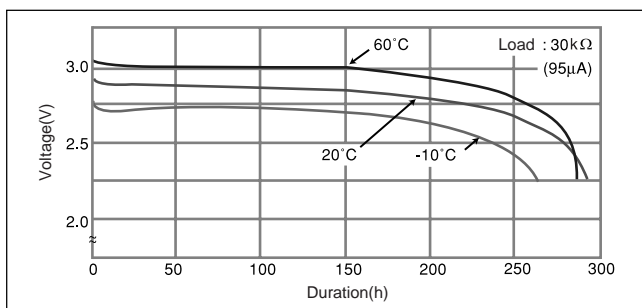
### ■ Dimensions(mm)



### ■ Specification

Nominal voltage (V)	3
Nominal capacity (mAh)	25
Continuous standard load (mA)	0.1
Operating temperature (C)	-30 ~ +60

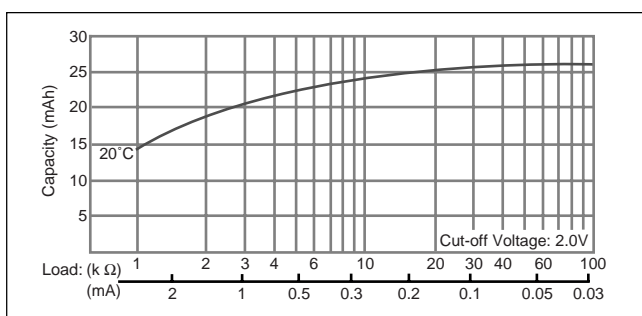
### ■ Temperature Characteristics



### ■ Operating voltage vs. load resistance (voltage at 50% discharge depth)



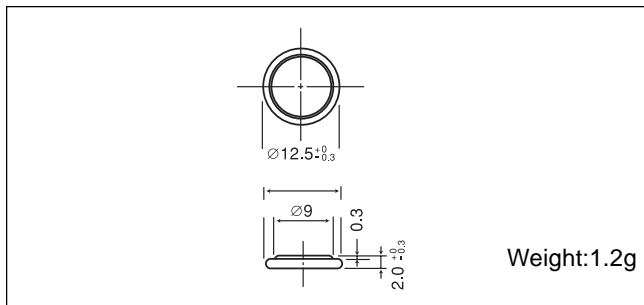
### ■ Capacity vs. load resistance



# Manganese Dioxide Lithium Coin Batteries: Individual Specifications

## CR1220

### ■ Dimensions(mm)



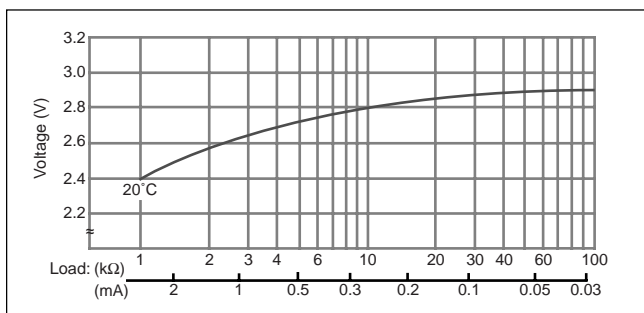
### ■ Specification

Nominal voltage (V)	3
Nominal capacity (mAh)	35
Continuous standard load (mA)	0.1
Operating temperature (C)	-30 ~ +60

### ■ Temperature Characteristics



### ■ Operating voltage vs. load resistance (voltage at 50% discharge depth)

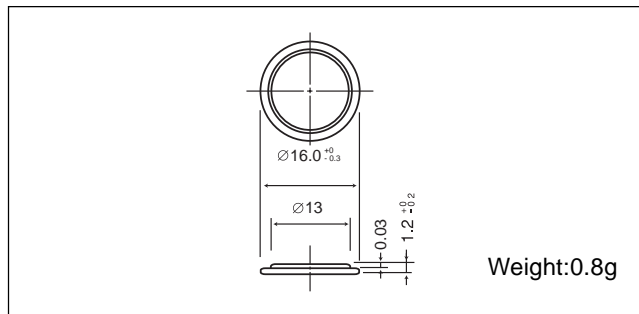


### ■ Capacity vs. load resistance



## CR1612

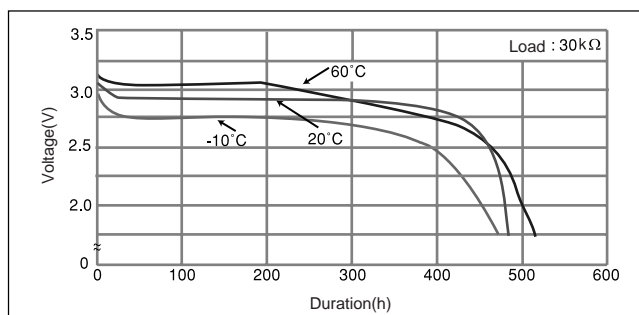
### ■ Dimensions(mm)



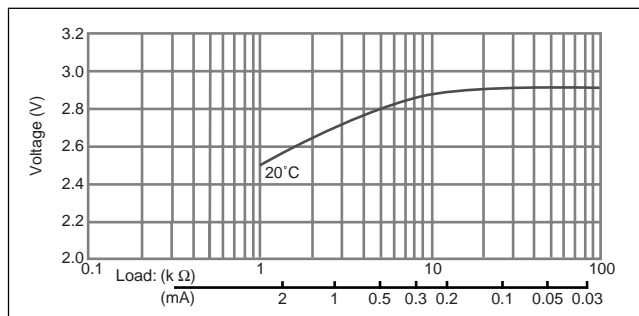
### ■ Specification

Nominal voltage (V)	3
Nominal capacity (mAh)	40
Continuous standard load (mA)	0.1
Operating temperature (C)	-30 ~ +60

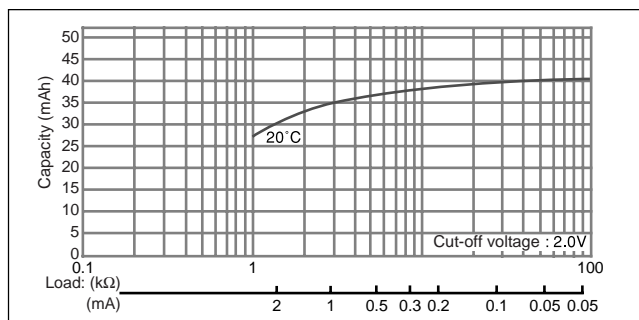
### ■ Temperature Characteristics



### ■ Operating voltage vs. load resistance (voltage at 50% discharge depth)



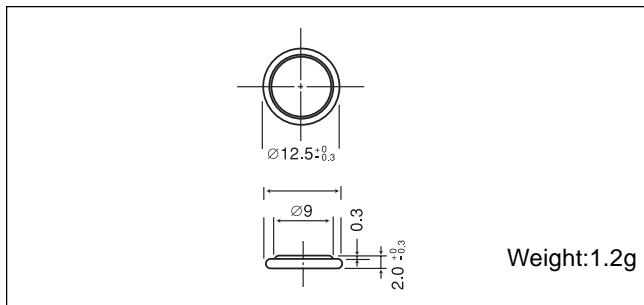
### ■ Capacity vs. load resistance



# Manganese Dioxide Lithium Coin Batteries: Individual Specifications

## CR1220

### ■ Dimensions(mm)



### ■ Specification

Nominal voltage (V)	3
Nominal capacity (mAh)	35
Continuous standard load (mA)	0.1
Operating temperature (C)	-30 ~ +60

### ■ Temperature Characteristics



### ■ Operating voltage vs. load resistance (voltage at 50% discharge depth)



### ■ Capacity vs. load resistance



## CR1612

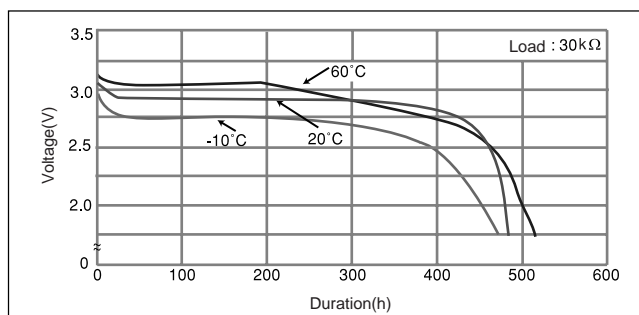
### ■ Dimensions(mm)



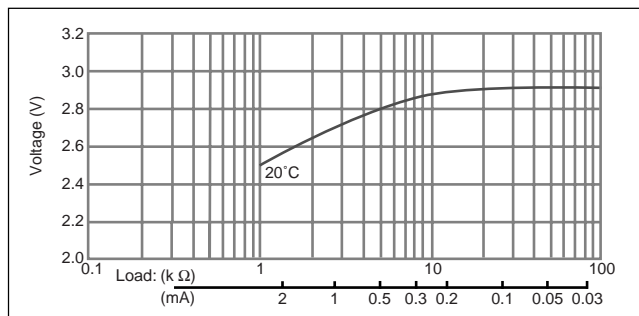
### ■ Specification

Nominal voltage (V)	3
Nominal capacity (mAh)	40
Continuous standard load (mA)	0.1
Operating temperature (C)	-30 ~ +60

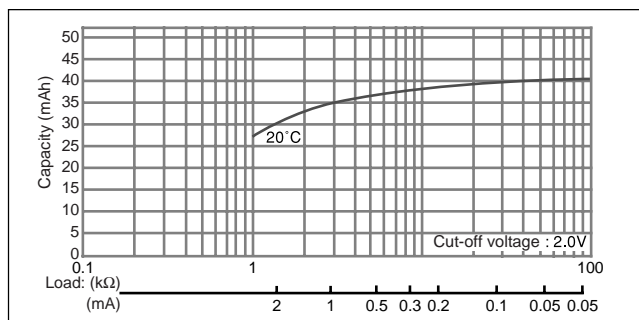
### ■ Temperature Characteristics



### ■ Operating voltage vs. load resistance (voltage at 50% discharge depth)



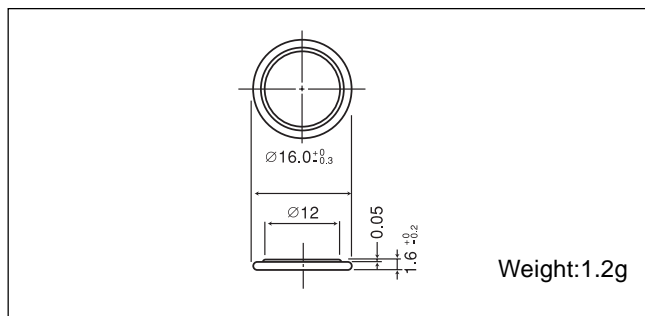
### ■ Capacity vs. load resistance



# Manganese Dioxide Lithium Coin Batteries: Individual Specifications

## CR1616

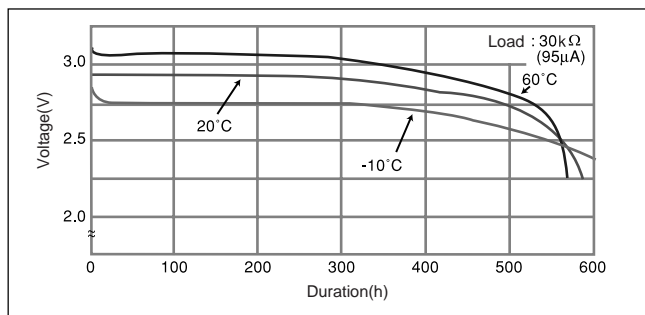
### ■ Dimensions(mm)



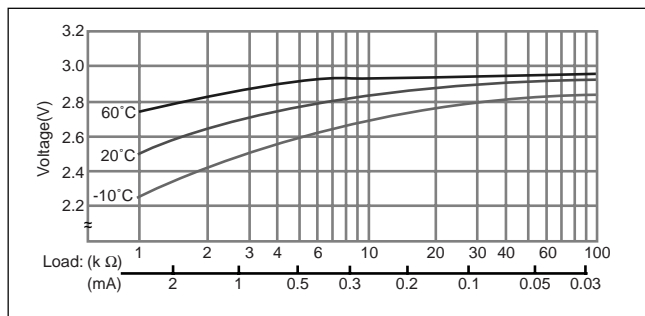
### ■ Specification

Nominal voltage (V)	3
Nominal capacity (mAh)	55
Continuous standard load (mA)	0.1
Operating temperature (C)	-30 ~ +60

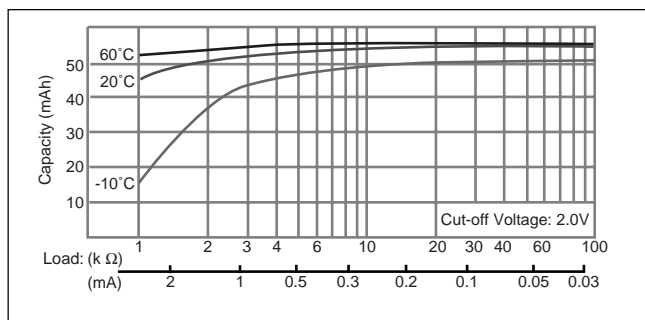
### ■ Temperature Characteristics



### ■ Operating voltage vs. load resistance (voltage at 50% discharge depth)

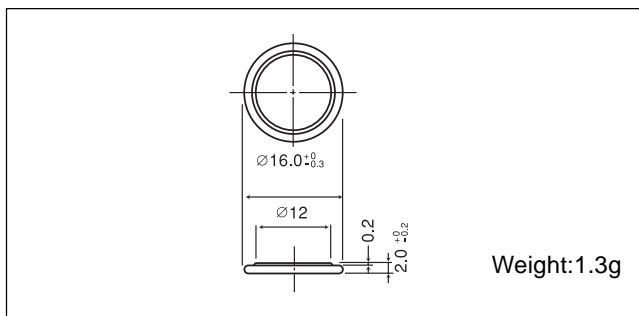


### ■ Capacity vs. load resistance



## CR1620

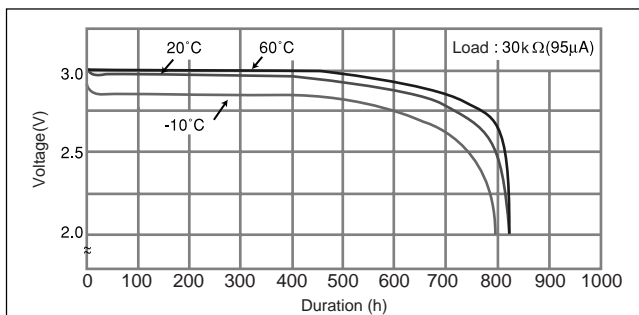
### ■ Dimensions(mm)



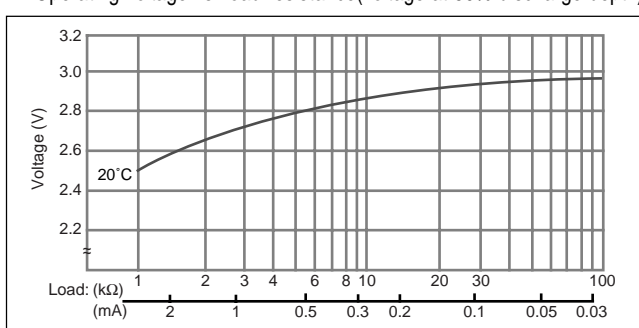
### ■ Specification

Nominal voltage (V)	3
Nominal capacity (mAh)	75
Continuous standard load (mA)	0.1
Operating temperature (C)	-30 ~ +60

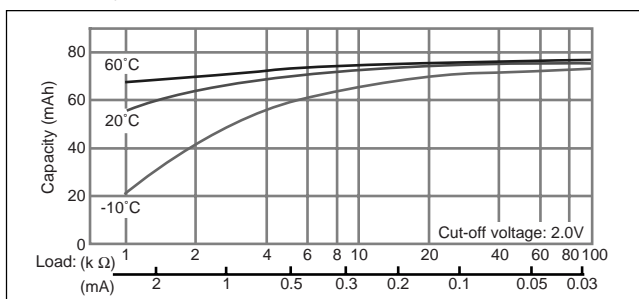
### ■ Temperature Characteristics



### ■ Operating voltage vs. load resistance (voltage at 50% discharge depth)



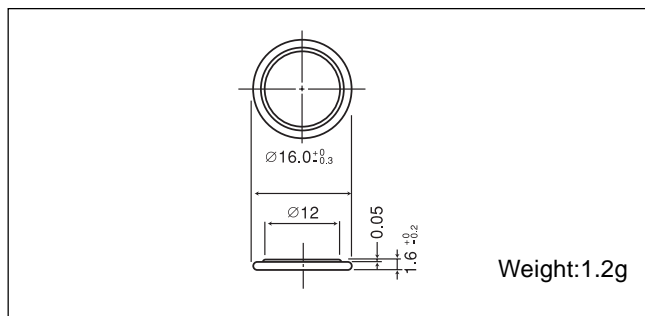
### ■ Capacity vs. load resistance



# Manganese Dioxide Lithium Coin Batteries: Individual Specifications

## CR1616

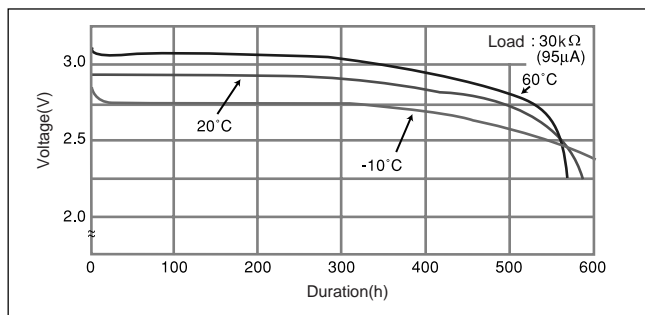
### ■ Dimensions(mm)



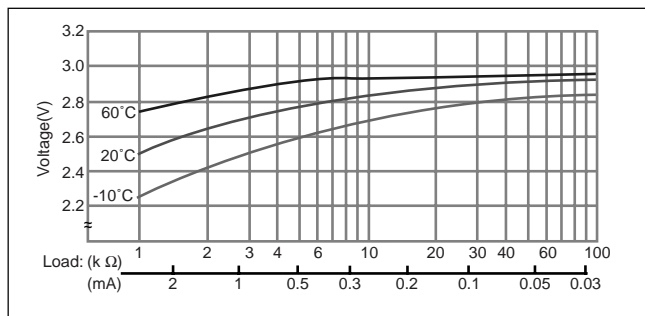
### ■ Specification

Nominal voltage (V)	3
Nominal capacity (mAh)	55
Continuous standard load (mA)	0.1
Operating temperature (C)	-30 ~ +60

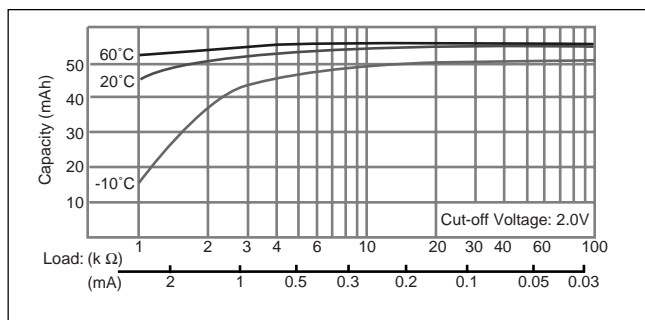
### ■ Temperature Characteristics



### ■ Operating voltage vs. load resistance (voltage at 50% discharge depth)

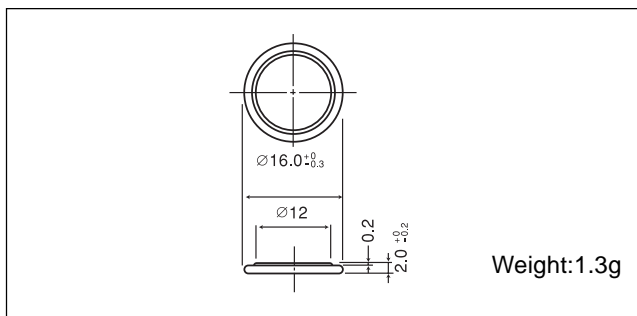


### ■ Capacity vs. load resistance



## CR1620

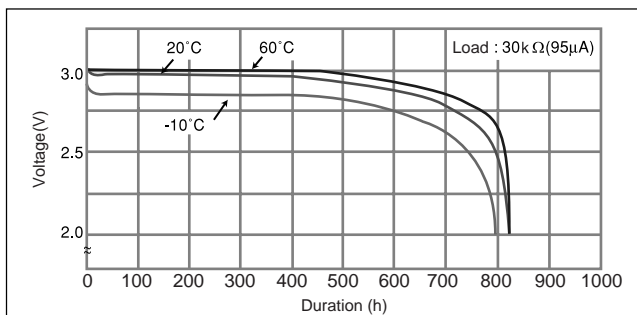
### ■ Dimensions(mm)



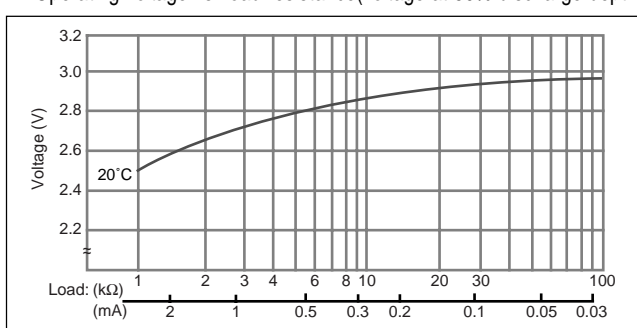
### ■ Specification

Nominal voltage (V)	3
Nominal capacity (mAh)	75
Continuous standard load (mA)	0.1
Operating temperature (C)	-30 ~ +60

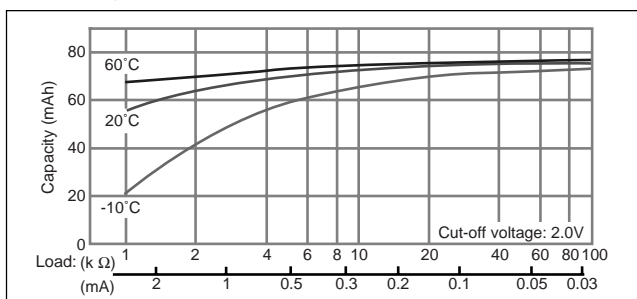
### ■ Temperature Characteristics



### ■ Operating voltage vs. load resistance (voltage at 50% discharge depth)



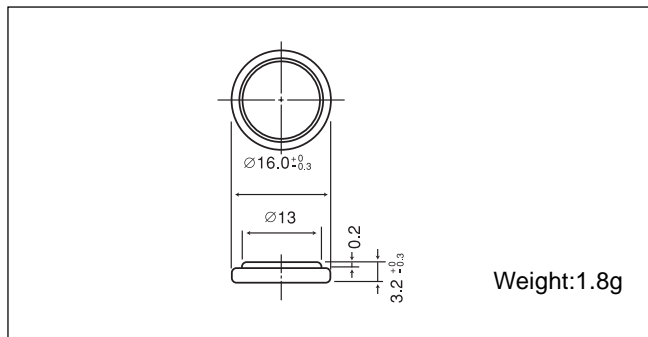
### ■ Capacity vs. load resistance



# Manganese Dioxide Lithium Coin Batteries: Individual Specifications

## CR1632

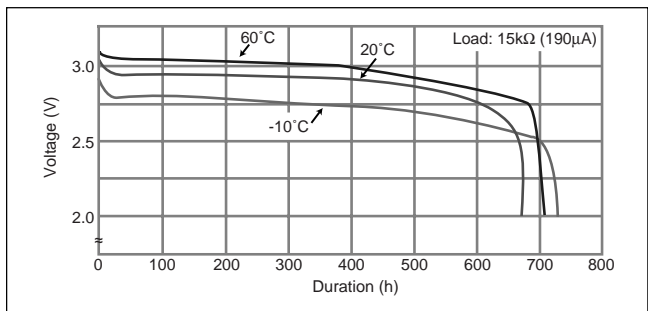
### ■ Dimensions(mm)



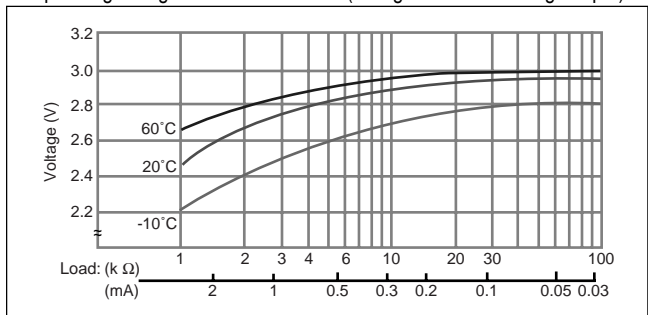
### ■ Specification

Nominal voltage (V)	3
Nominal capacity (mAh)	140
Continuous standard load (mA)	0.1
Operating temperature (C)	-30 ~ +60

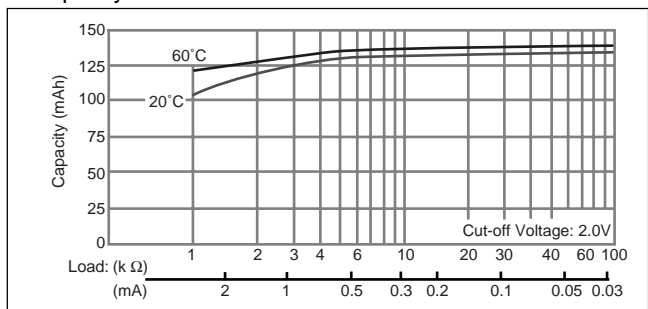
### ■ Temperature Characteristics



### ■ Operating voltage vs. load resistance (voltage at 50% discharge depth)



### ■ Capacity vs. load resistance



## CR2012

### ■ Dimensions(mm)



### ■ Specification

Nominal voltage (V)	3
Nominal capacity (mAh)	55
Continuous standard load (mA)	0.1
Operating temperature (C)	-30 ~ +60

### ■ Temperature Characteristics



### ■ Operating voltage vs. load resistance (voltage at 50% discharge depth)



### ■ Capacity vs. load resistance



# Manganese Dioxide Lithium Coin Batteries: Individual Specifications

## CR2016

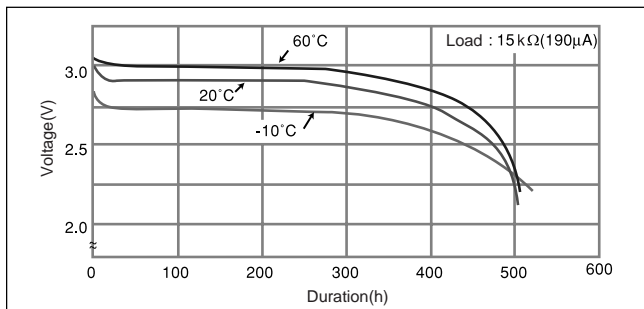
### ■ Dimensions(mm)



### ■ Specification

Nominal voltage (V)	3
Nominal capacity (mAh)	90
Continuous standard load (mA)	0.1
Operating temperature (C)	-30 ~ +60

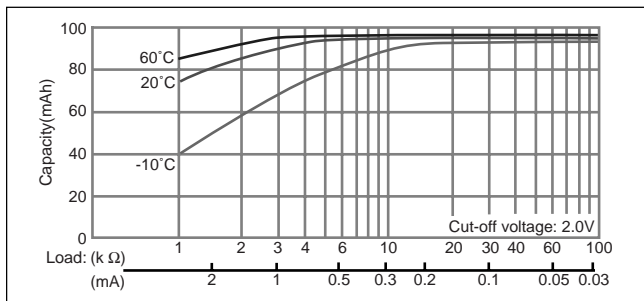
### ■ Temperature Characteristics



### ■ Operating voltage vs. load resistance (voltage at 50% discharge depth)

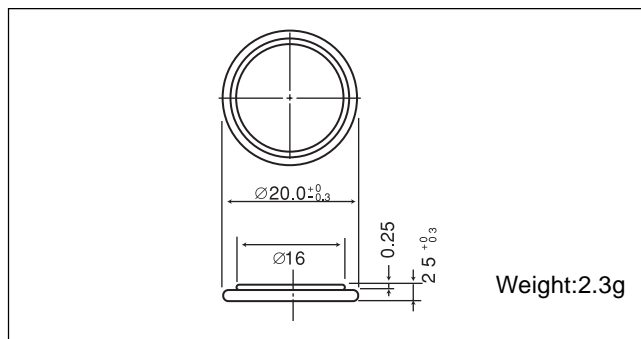


### ■ Capacity vs. load resistance



## CR2025

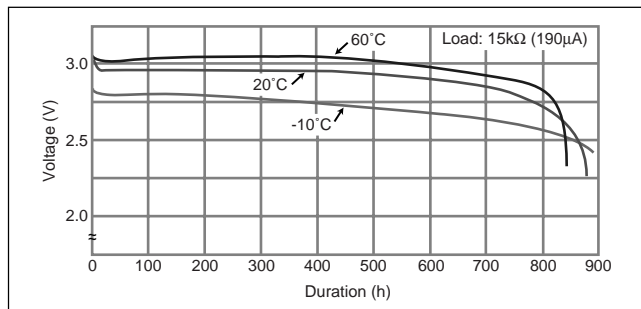
### ■ Dimensions(mm)



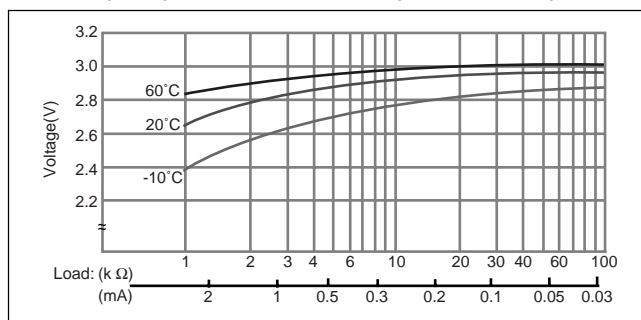
### ■ Specification

Nominal voltage (V)	3
Nominal capacity (mAh)	165
Continuous standard load (mA)	0.2
Operating temperature (C)	-30 ~ +60

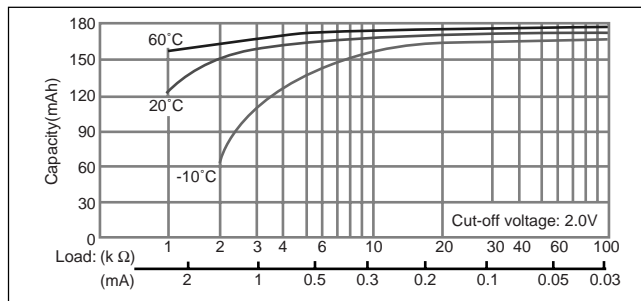
### ■ Temperature Characteristics



### ■ Operating voltage vs. load resistance (voltage at 50% discharge depth)



### ■ Capacity vs. load resistance





# Manganese Dioxide Lithium Coin Batteries: Individual Specifications

## CR2016

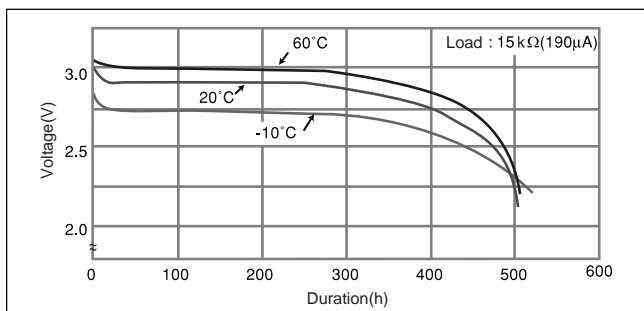
### ■ Dimensions(mm)



### ■ Specification

Nominal voltage (V)	3
Nominal capacity (mAh)	90
Continuous standard load (mA)	0.1
Operating temperature (C)	-30 ~ +60

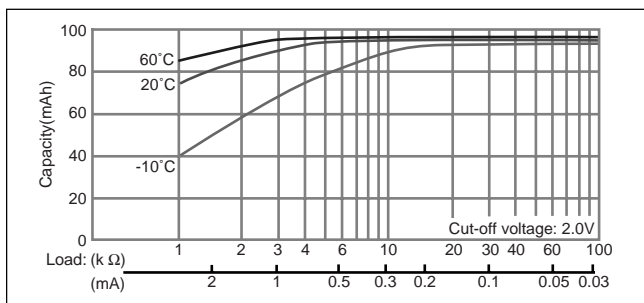
### ■ Temperature Characteristics



### ■ Operating voltage vs. load resistance (voltage at 50% discharge depth)



### ■ Capacity vs. load resistance



## CR2025

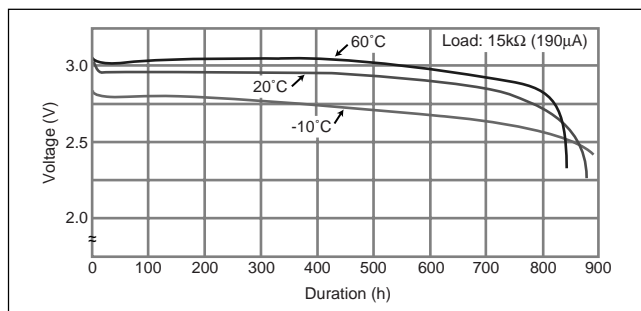
### ■ Dimensions(mm)



### ■ Specification

Nominal voltage (V)	3
Nominal capacity (mAh)	165
Continuous standard load (mA)	0.2
Operating temperature (C)	-30 ~ +60

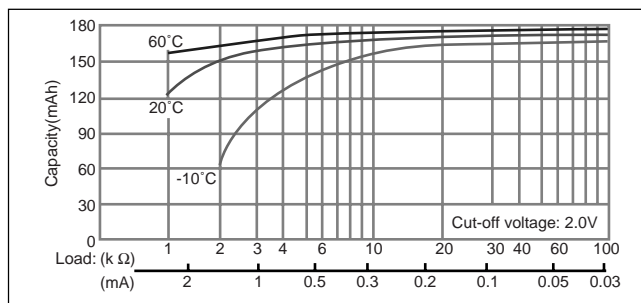
### ■ Temperature Characteristics



### ■ Operating voltage vs. load resistance (voltage at 50% discharge depth)



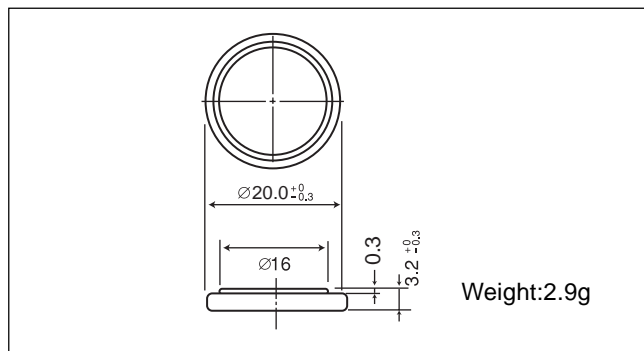
### ■ Capacity vs. load resistance



# Manganese Dioxide Lithium Coin Batteries: Individual Specifications

## CR2032

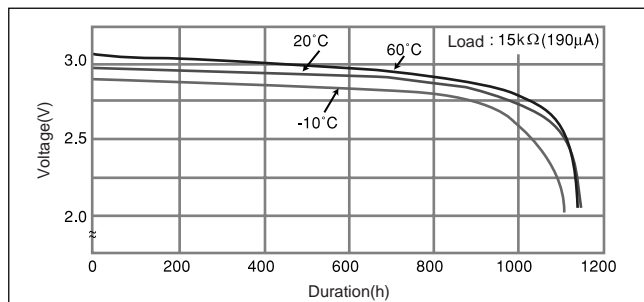
### □ Dimensions(mm)



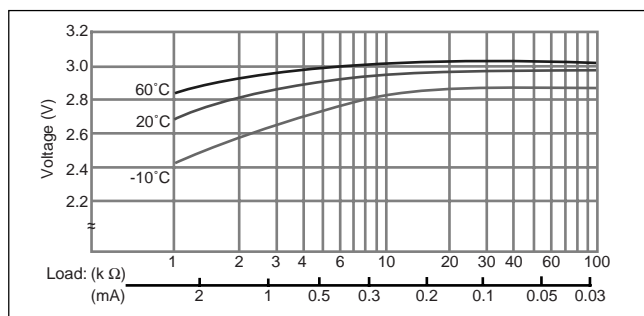
### □ Specification

<b>Nominal voltage (V)</b>	3
<b>Nominal capacity (mAh)</b>	225
<b>Continuous standard load (mA)</b>	0.2
<b>Operating temperature (C)</b>	-30 ~ +60

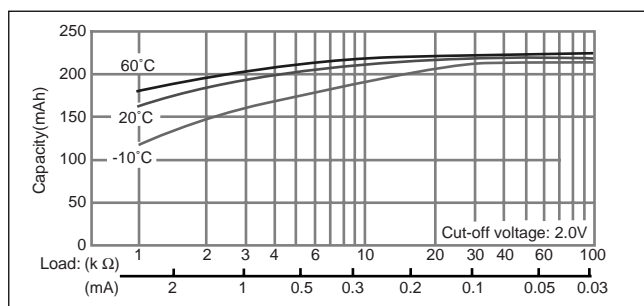
### □ Temperature Characteristics



### □ Operating voltage vs. load resistance (voltage at 50% discharge depth)

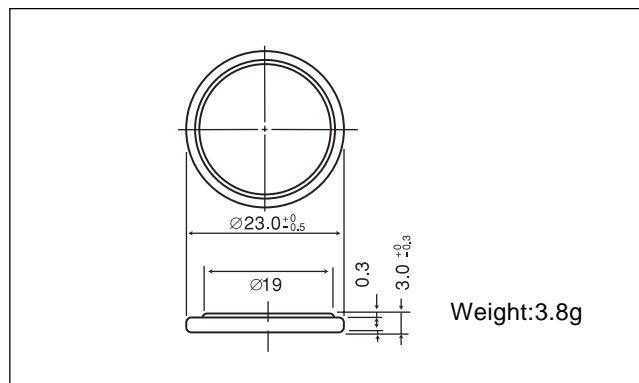


### □ Capacity vs. load resistance



## CR2330

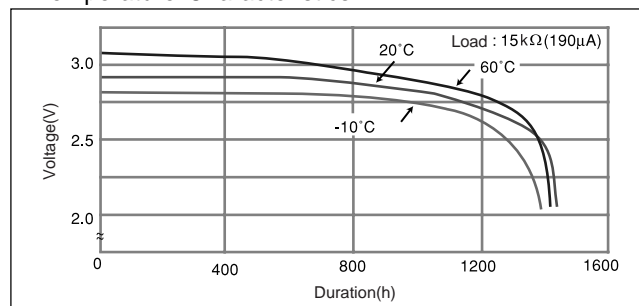
### □ Dimensions(mm)



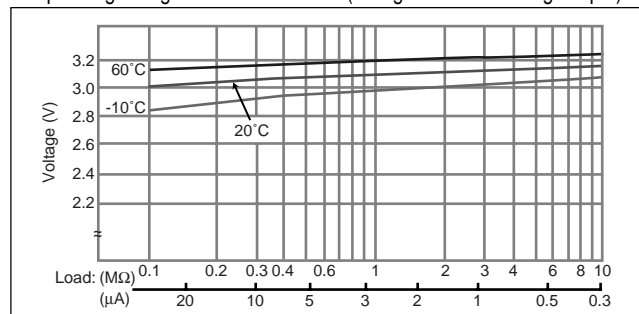
### □ Specification

<b>Nominal voltage (V)</b>	3
<b>Nominal capacity (mAh)</b>	265
<b>Continuous standard load (mA)</b>	0.2
<b>Operating temperature (C)</b>	-30 ~ +60

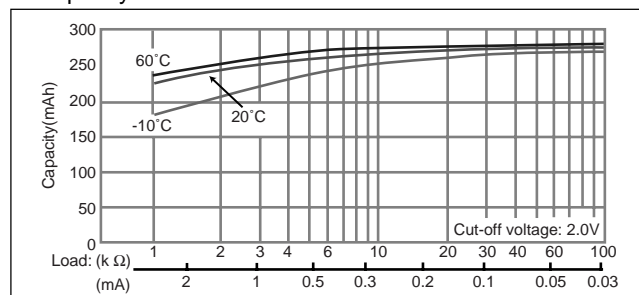
### □ Temperature Characteristics



### □ Operating voltage vs. load resistance (voltage at 50% discharge depth)



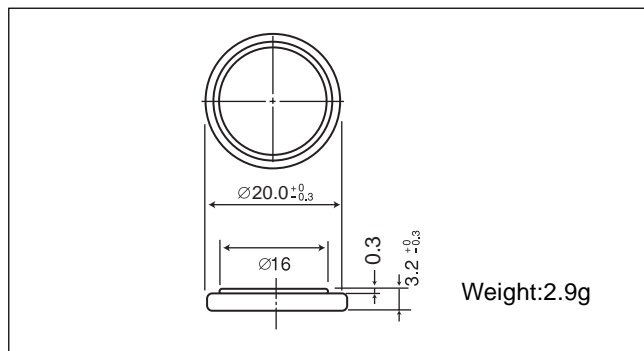
### □ Capacity vs. load resistance



# Manganese Dioxide Lithium Coin Batteries: Individual Specifications

## CR2032

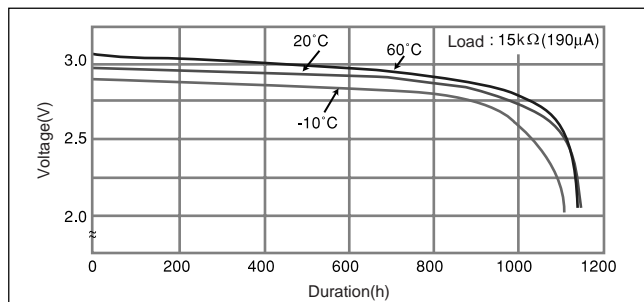
### □ Dimensions(mm)



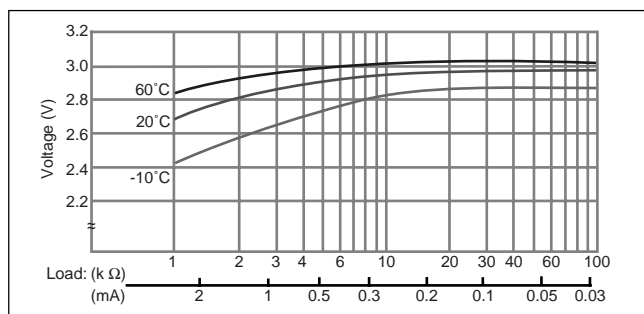
### □ Specification

<b>Nominal voltage (V)</b>	3
<b>Nominal capacity (mAh)</b>	225
<b>Continuous standard load (mA)</b>	0.2
<b>Operating temperature (C)</b>	-30 ~ +60

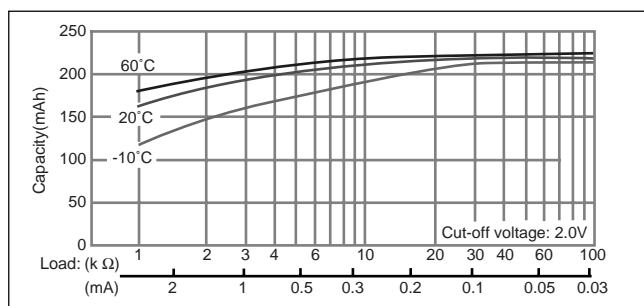
### □ Temperature Characteristics



### □ Operating voltage vs. load resistance (voltage at 50% discharge depth)

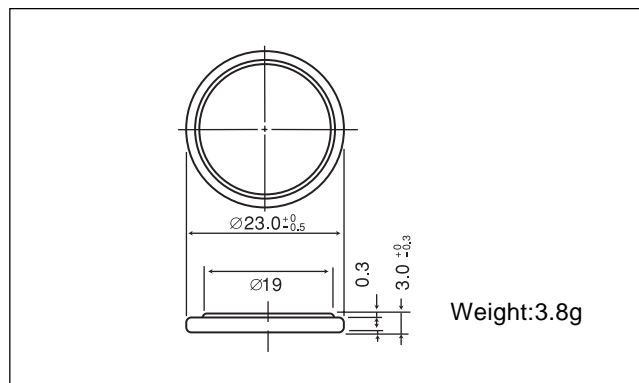


### □ Capacity vs. load resistance



## CR2330

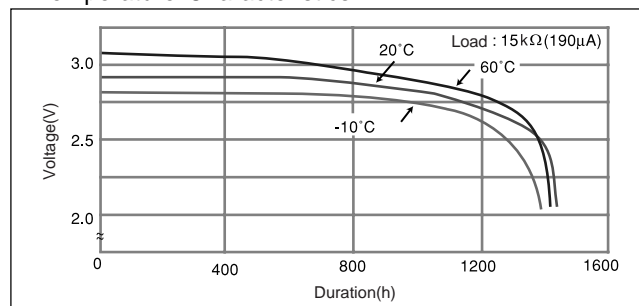
### □ Dimensions(mm)



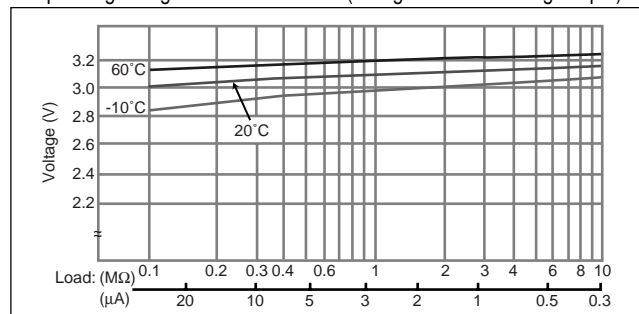
### □ Specification

<b>Nominal voltage (V)</b>	3
<b>Nominal capacity (mAh)</b>	265
<b>Continuous standard load (mA)</b>	0.2
<b>Operating temperature (C)</b>	-30 ~ +60

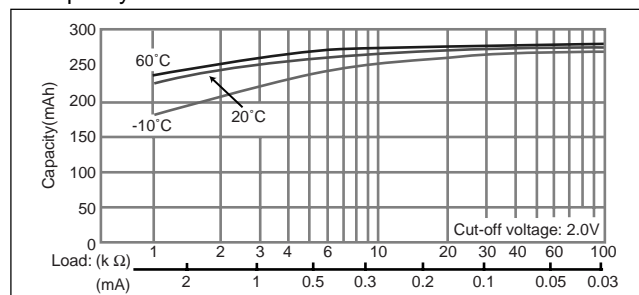
### □ Temperature Characteristics



### □ Operating voltage vs. load resistance (voltage at 50% discharge depth)



### □ Capacity vs. load resistance



# Manganese Dioxide Lithium Coin Batteries: Individual Specifications

## CR2354

### □ Dimensions(mm)



### □ Specification

<b>Nominal voltage (V)</b>	3
<b>Nominal capacity (mAh)</b>	560
<b>Continuous standard load (mA)</b>	0.2
<b>Operating temperature (C)</b>	-30 ~ +60

### □ Temperature Characteristics



### □ Operating voltage vs. load resistance (voltage at 50% discharge depth)



### □ Capacity vs. load resistance



## CR2412

### □ Dimensions(mm)



### □ Specification

<b>Nominal voltage (V)</b>	3
<b>Nominal capacity (mAh)</b>	100
<b>Continuous standard load (mA)</b>	0.2
<b>Operating temperature (C)</b>	-30 ~ +60

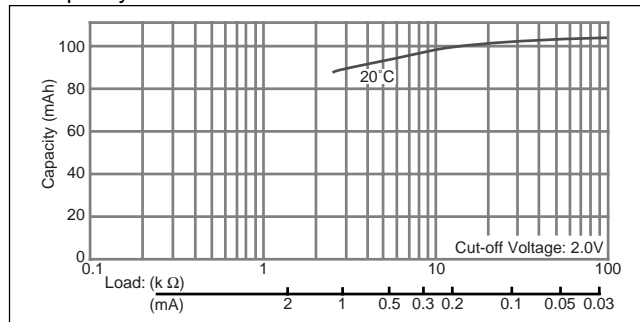
### □ Temperature Characteristics



### □ Operating voltage vs. load resistance (voltage at 50% discharge depth)



### □ Capacity vs. load resistance



# Manganese Dioxide Lithium Coin Batteries: Individual Specifications

## CR2354

### □ Dimensions(mm)



### □ Specification

<b>Nominal voltage (V)</b>	3
<b>Nominal capacity (mAh)</b>	560
<b>Continuous standard load (mA)</b>	0.2
<b>Operating temperature (C)</b>	-30 ~ +60

### □ Temperature Characteristics



### □ Operating voltage vs. load resistance (voltage at 50% discharge depth)



### □ Capacity vs. load resistance



## CR2412

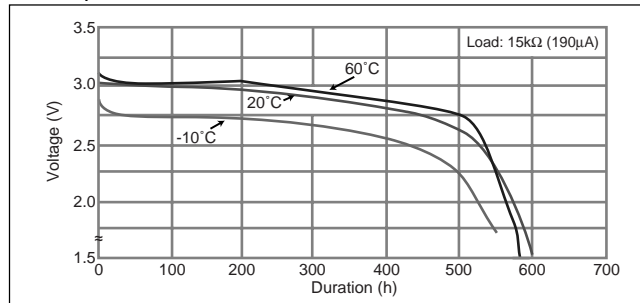
### □ Dimensions(mm)



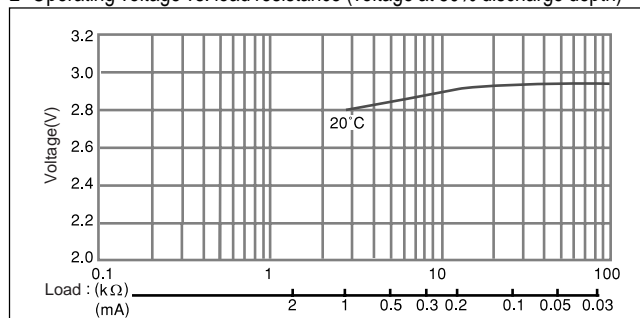
### □ Specification

<b>Nominal voltage (V)</b>	3
<b>Nominal capacity (mAh)</b>	100
<b>Continuous standard load (mA)</b>	0.2
<b>Operating temperature (C)</b>	-30 ~ +60

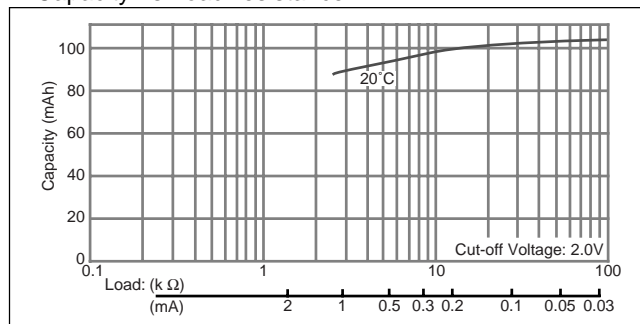
### □ Temperature Characteristics



### □ Operating voltage vs. load resistance (voltage at 50% discharge depth)



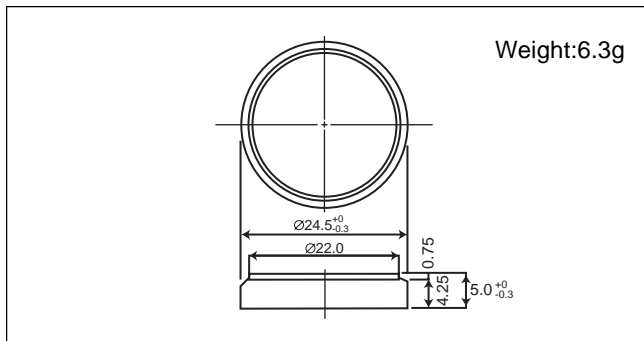
### □ Capacity vs. load resistance



# Manganese Dioxide Lithium Coin Batteries: Individual Specifications

## CR2450

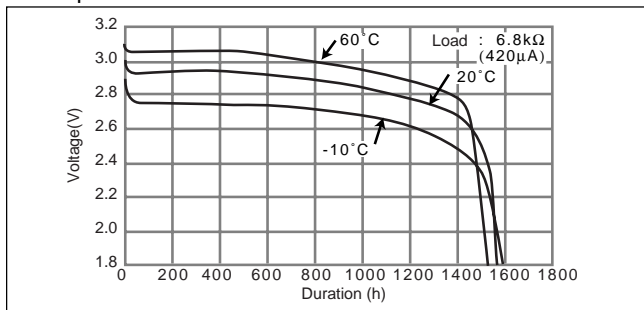
### ■ Dimensions(mm)



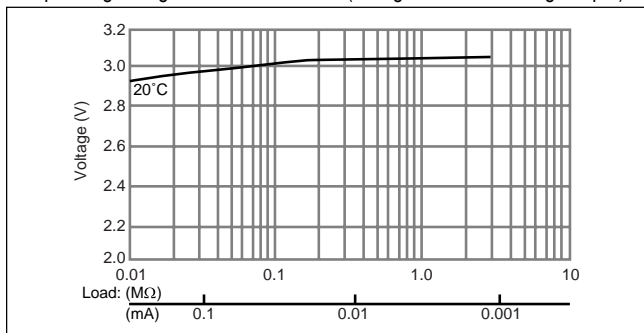
### ■ Specification

Nominal voltage (V)	3
Nominal capacity (mAh)	620
Continuous standard load (mA)	0.2
Operating temperature (C)	-30 ~ +60

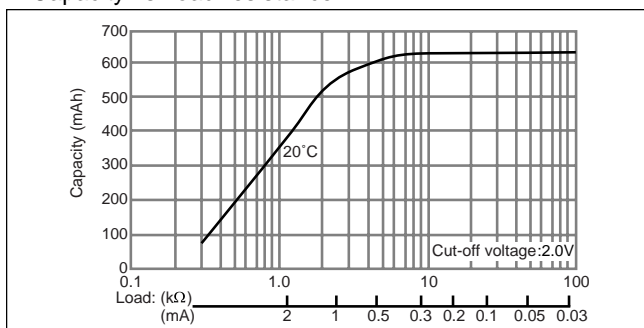
### ■ Temperature Characteristics



### ■ Operating voltage vs. load resistance (voltage at 50% discharge depth)

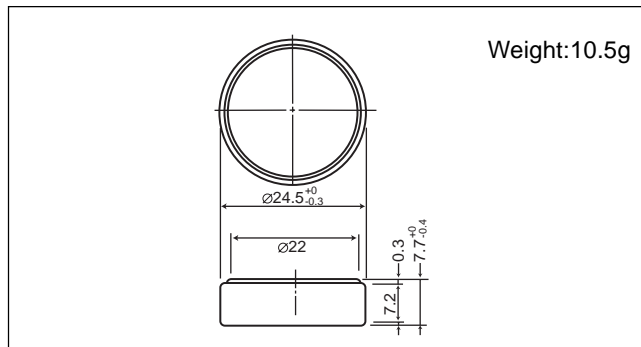


### ■ Capacity vs. load resistance



## CR2477

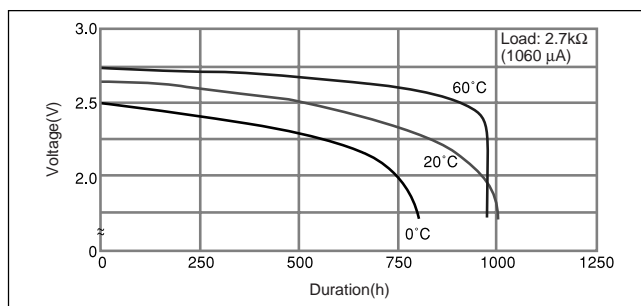
### ■ Dimensions(mm)



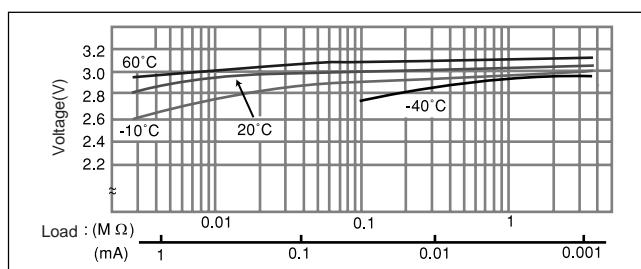
### ■ Specification

Nominal voltage (V)	3
Nominal capacity (mAh)	1,000
Continuous standard load (mA)	0.2
Operating temperature (C)	-30 ~ +60

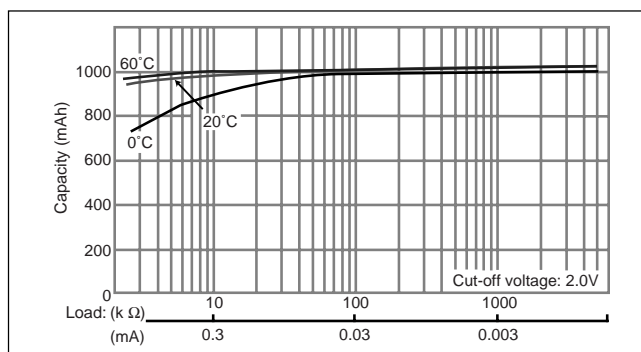
### ■ Temperature Characteristics



### ■ Operating voltage vs. load resistance (voltage at 50% discharge depth)



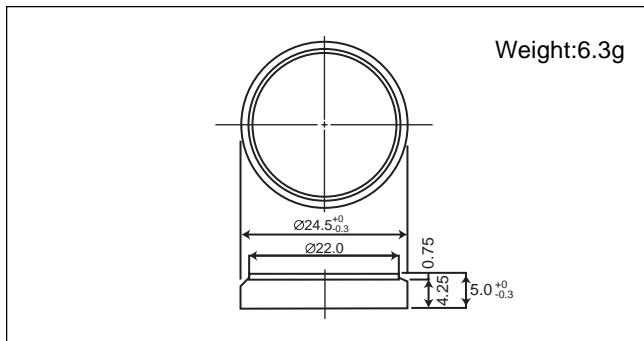
### ■ Capacity vs. load resistance



# Manganese Dioxide Lithium Coin Batteries: Individual Specifications

## CR2450

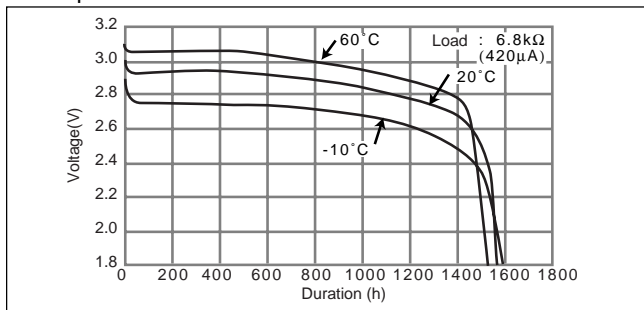
### ■ Dimensions(mm)



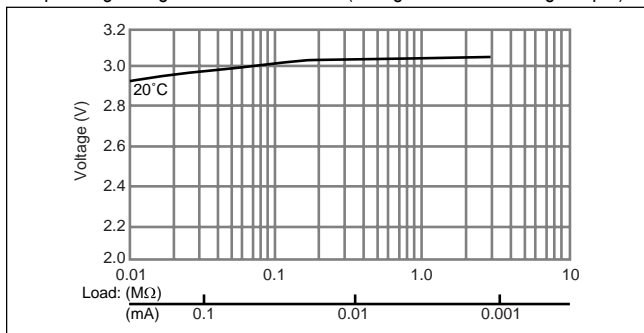
### ■ Specification

Nominal voltage (V)	3
Nominal capacity (mAh)	620
Continuous standard load (mA)	0.2
Operating temperature (C)	-30 ~ +60

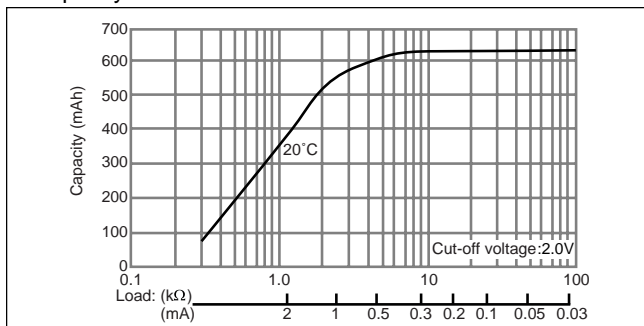
### ■ Temperature Characteristics



### ■ Operating voltage vs. load resistance (voltage at 50% discharge depth)

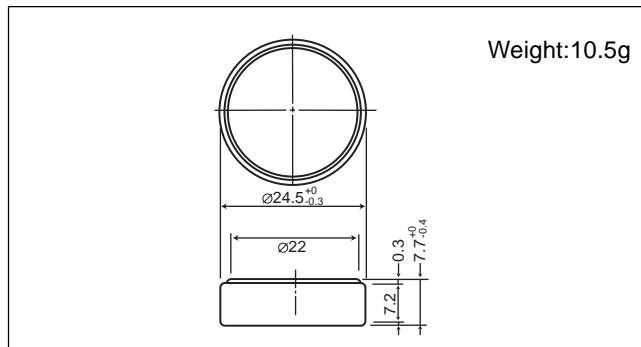


### ■ Capacity vs. load resistance



## CR2477

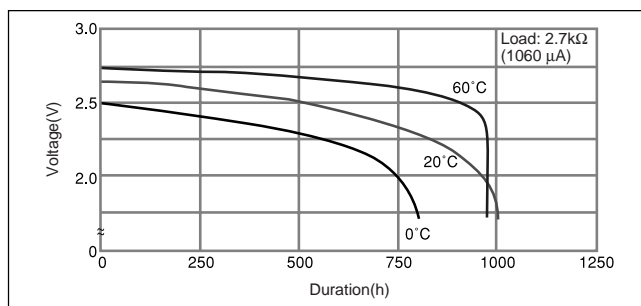
### ■ Dimensions(mm)



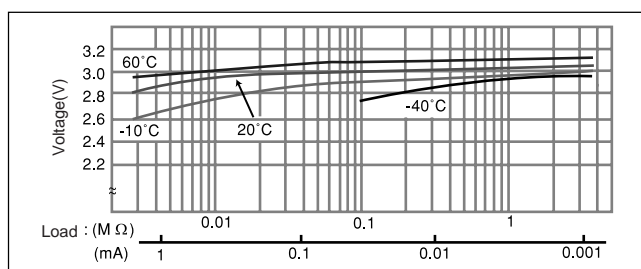
### ■ Specification

Nominal voltage (V)	3
Nominal capacity (mAh)	1,000
Continuous standard load (mA)	0.2
Operating temperature (C)	-30 ~ +60

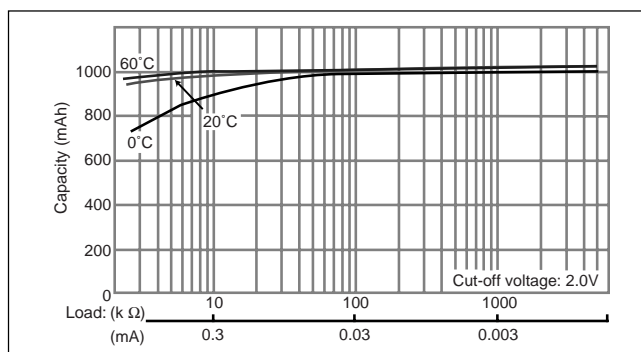
### ■ Temperature Characteristics



### ■ Operating voltage vs. load resistance (voltage at 50% discharge depth)



### ■ Capacity vs. load resistance



# Manganese Dioxide Lithium Coin Batteries: Individual Specifications

## CR3032

### □ Dimensions(mm)



### □ Specification

<b>Nominal voltage (V)</b>	3
<b>Nominal capacity (mAh)</b>	500
<b>Continuous standard load (mA)</b>	0.2
<b>Operating temperature (C)</b>	-30 ~ +60

### □ Temperature Characteristics



### □ Operating voltage vs. load resistance (voltage at 50% discharge depth)



### □ Capacity vs. load resistance





Компания «Океан Электроники» предлагает заключение долгосрочных отношений при поставках импортных электронных компонентов на взаимовыгодных условиях!

Наши преимущества:

- Поставка оригинальных импортных электронных компонентов напрямую с производств Америки, Европы и Азии, а так же с крупнейших складов мира;
- Широкая линейка поставок активных и пассивных импортных электронных компонентов (более 30 млн. наименований);
- Поставка сложных, дефицитных, либо снятых с производства позиций;
- Оперативные сроки поставки под заказ (от 5 рабочих дней);
- Экспресс доставка в любую точку России;
- Помощь Конструкторского Отдела и консультации квалифицированных инженеров;
- Техническая поддержка проекта, помощь в подборе аналогов, поставка прототипов;
- Поставка электронных компонентов под контролем ВП;
- Система менеджмента качества сертифицирована по Международному стандарту ISO 9001;
- При необходимости вся продукция военного и аэрокосмического назначения проходит испытания и сертификацию в лаборатории (по согласованию с заказчиком);
- Поставка специализированных компонентов военного и аэрокосмического уровня качества (Xilinx, Altera, Analog Devices, Intersil, Interpoint, Microsemi, Actel, Aeroflex, Peregrine, VPT, Syfer, Eurofarad, Texas Instruments, MS Kennedy, Miteq, Cobham, E2V, MA-COM, Hittite, Mini-Circuits, General Dynamics и др.);

Компания «Океан Электроники» является официальным дистрибьютором и эксклюзивным представителем в России одного из крупнейших производителей разъемов военного и аэрокосмического назначения «JONHON», а так же официальным дистрибьютором и эксклюзивным представителем в России производителя высокотехнологичных и надежных решений для передачи СВЧ сигналов «FORSTAR».



## JONHON

«JONHON» (основан в 1970 г.)

Разъемы специального, военного и аэрокосмического назначения:

(Применяются в военной, авиационной, аэрокосмической, морской, железнодорожной, горно- и нефтедобывающей отраслях промышленности)

«FORSTAR» (основан в 1998 г.)

ВЧ соединители, коаксиальные кабели,  
кабельные сборки и микроволновые компоненты:

(Применяются в телекоммуникациях гражданского и специального назначения, в средствах связи, РЛС, а так же военной, авиационной и аэрокосмической отраслях промышленности).



Телефон: 8 (812) 309-75-97 (многоканальный)

Факс: 8 (812) 320-03-32

Электронная почта: [ocean@oceanchips.ru](mailto:ocean@oceanchips.ru)

Web: <http://oceanchips.ru/>

Адрес: 198099, г. Санкт-Петербург, ул. Калинина, д. 2, корп. 4, лит. А