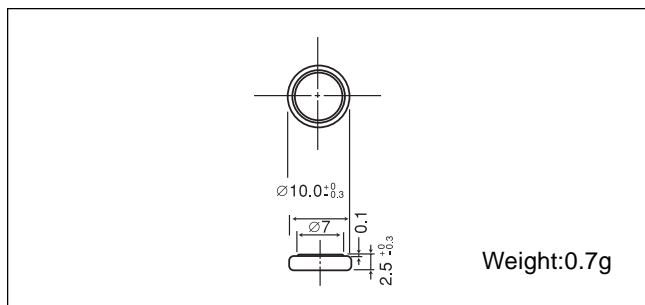


Manganese Dioxide Lithium Coin Batteries: Individual Specifications

CR1025

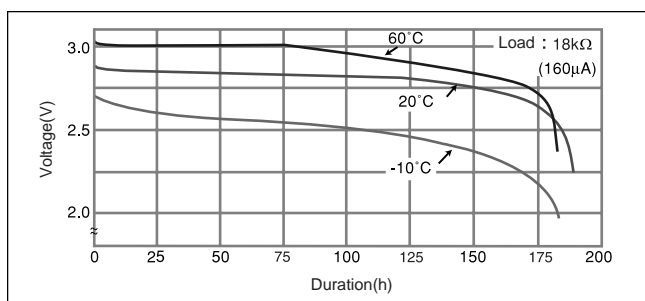
■ Dimensions(mm)



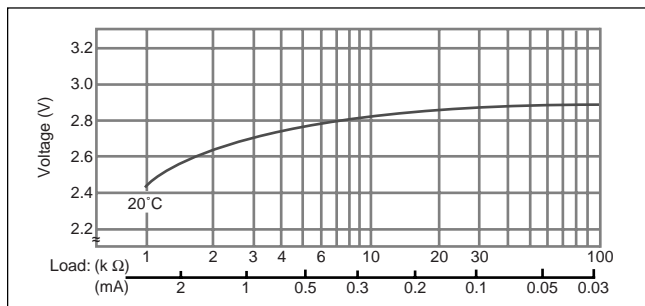
■ Specification

| | |
|-------------------------------|-----------|
| Nominal voltage (V) | 3 |
| Nominal capacity (mAh) | 30 |
| Continuous standard load (mA) | 0.1 |
| Operating temperature (C) | -30 ~ +60 |

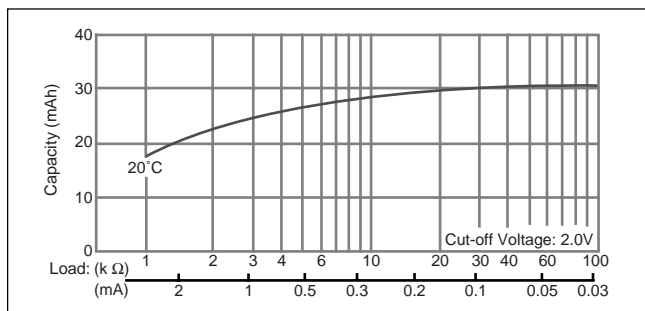
■ Temperature Characteristics



■ Operating voltage vs. load resistance (voltage at 50% discharge depth)

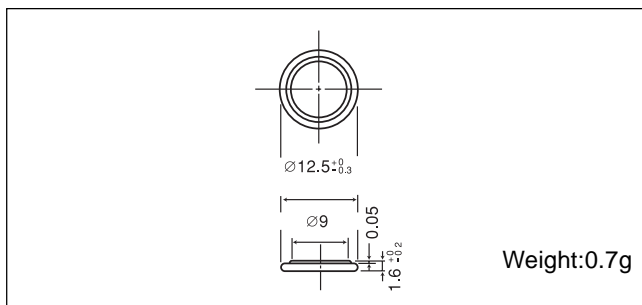


■ Capacity vs. load resistance



CR1216

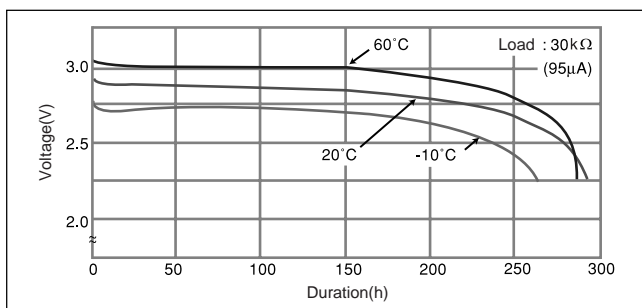
■ Dimensions(mm)



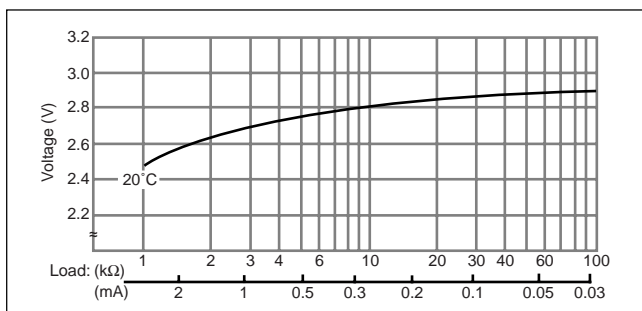
■ Specification

| | |
|-------------------------------|-----------|
| Nominal voltage (V) | 3 |
| Nominal capacity (mAh) | 25 |
| Continuous standard load (mA) | 0.1 |
| Operating temperature (C) | -30 ~ +60 |

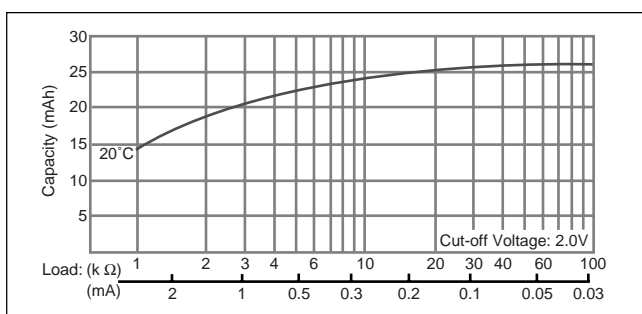
■ Temperature Characteristics



■ Operating voltage vs. load resistance (voltage at 50% discharge depth)



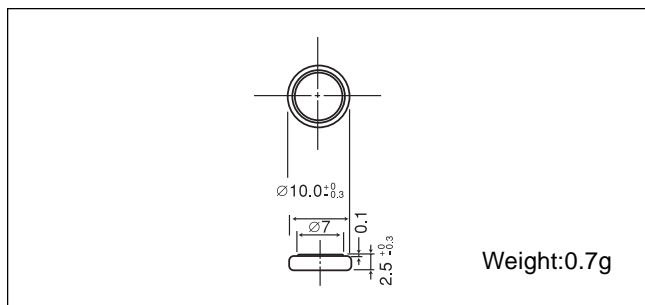
■ Capacity vs. load resistance



Manganese Dioxide Lithium Coin Batteries: Individual Specifications

CR1025

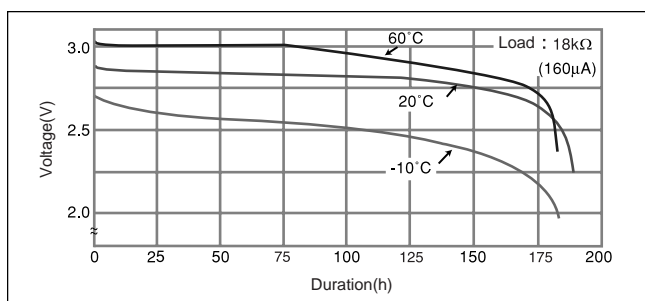
■ Dimensions(mm)



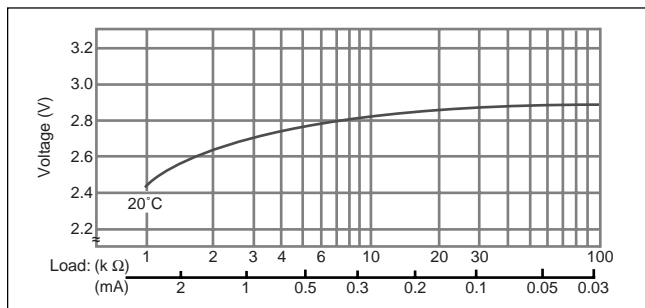
■ Specification

| | |
|-------------------------------|-----------|
| Nominal voltage (V) | 3 |
| Nominal capacity (mAh) | 30 |
| Continuous standard load (mA) | 0.1 |
| Operating temperature (C) | -30 ~ +60 |

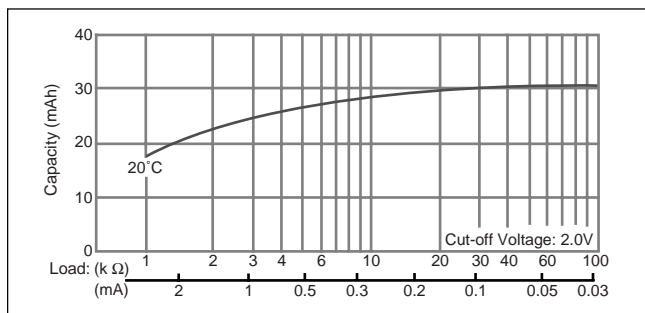
■ Temperature Characteristics



■ Operating voltage vs. load resistance (voltage at 50% discharge depth)

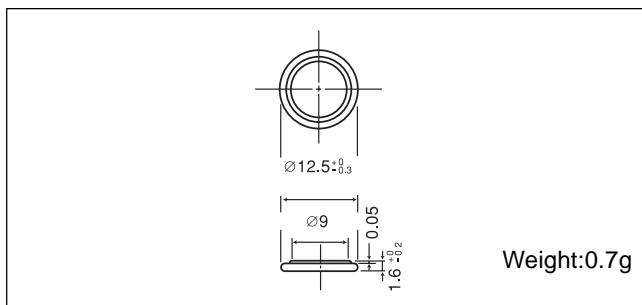


■ Capacity vs. load resistance



CR1216

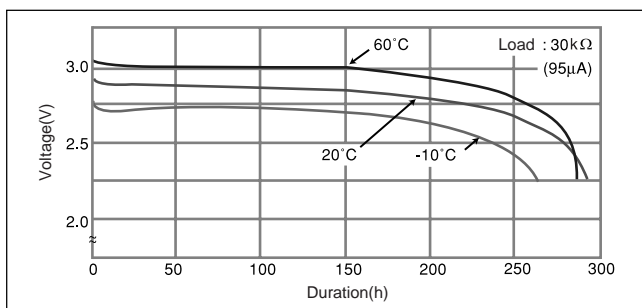
■ Dimensions(mm)



■ Specification

| | |
|-------------------------------|-----------|
| Nominal voltage (V) | 3 |
| Nominal capacity (mAh) | 25 |
| Continuous standard load (mA) | 0.1 |
| Operating temperature (C) | -30 ~ +60 |

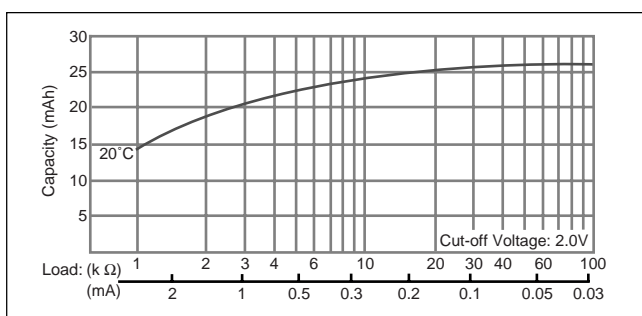
■ Temperature Characteristics



■ Operating voltage vs. load resistance (voltage at 50% discharge depth)



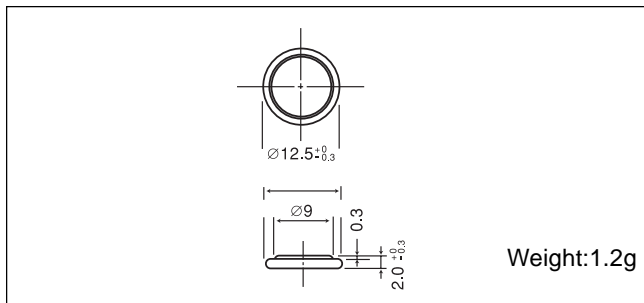
■ Capacity vs. load resistance



Manganese Dioxide Lithium Coin Batteries: Individual Specifications

CR1220

■ Dimensions(mm)



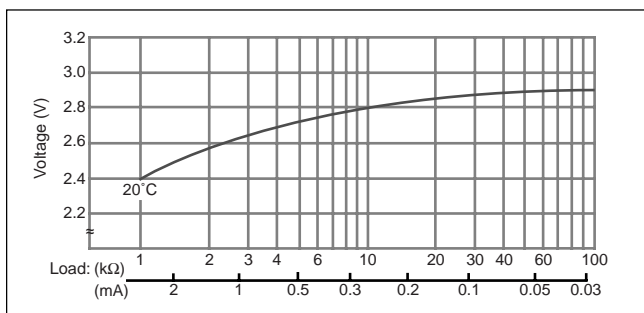
■ Specification

| | |
|-------------------------------|-----------|
| Nominal voltage (V) | 3 |
| Nominal capacity (mAh) | 35 |
| Continuous standard load (mA) | 0.1 |
| Operating temperature (C) | -30 ~ +60 |

■ Temperature Characteristics



■ Operating voltage vs. load resistance (voltage at 50% discharge depth)

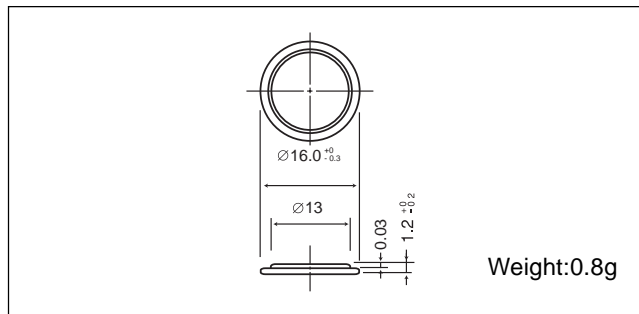


■ Capacity vs. load resistance



CR1612

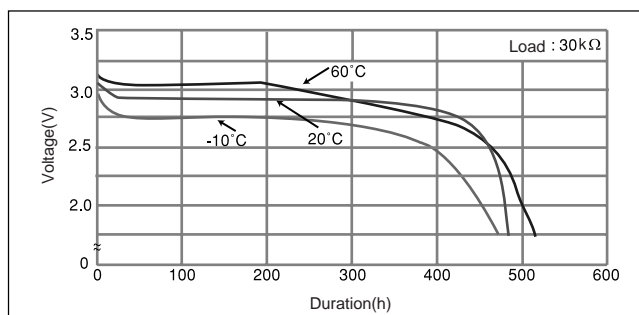
■ Dimensions(mm)



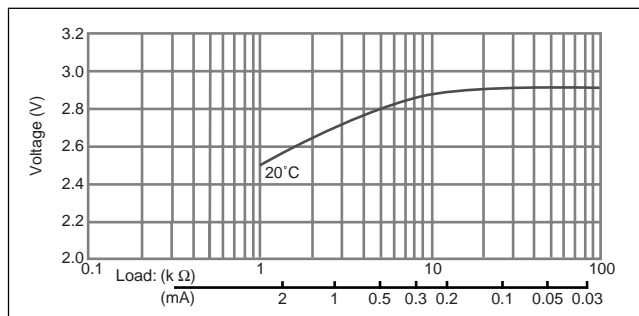
■ Specification

| | |
|-------------------------------|-----------|
| Nominal voltage (V) | 3 |
| Nominal capacity (mAh) | 40 |
| Continuous standard load (mA) | 0.1 |
| Operating temperature (C) | -30 ~ +60 |

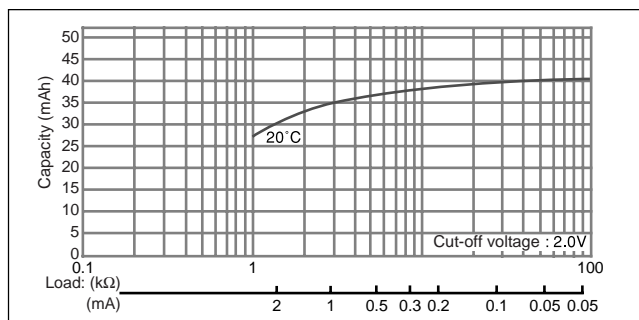
■ Temperature Characteristics



■ Operating voltage vs. load resistance (voltage at 50% discharge depth)



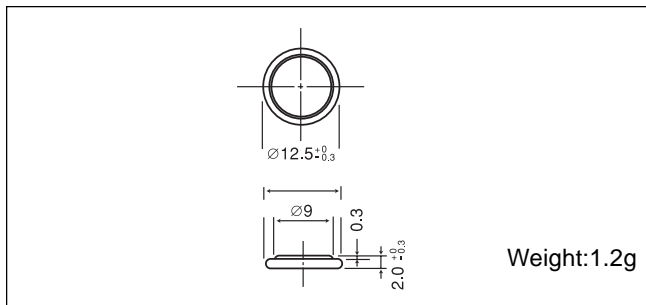
■ Capacity vs. load resistance



Manganese Dioxide Lithium Coin Batteries: Individual Specifications

CR1220

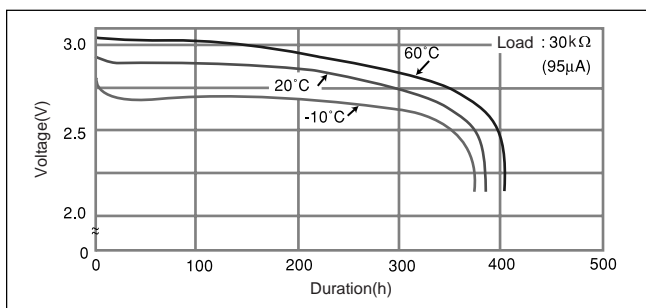
■ Dimensions(mm)



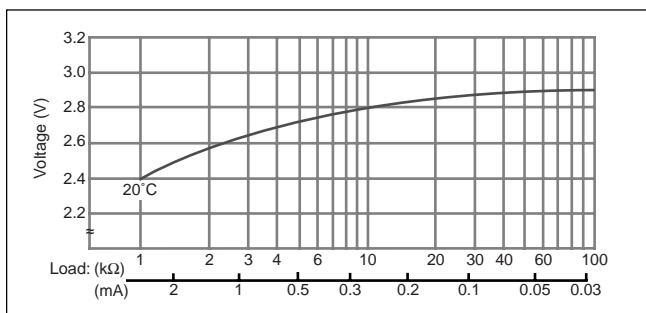
■ Specification

| | |
|-------------------------------|-----------|
| Nominal voltage (V) | 3 |
| Nominal capacity (mAh) | 35 |
| Continuous standard load (mA) | 0.1 |
| Operating temperature (C) | -30 ~ +60 |

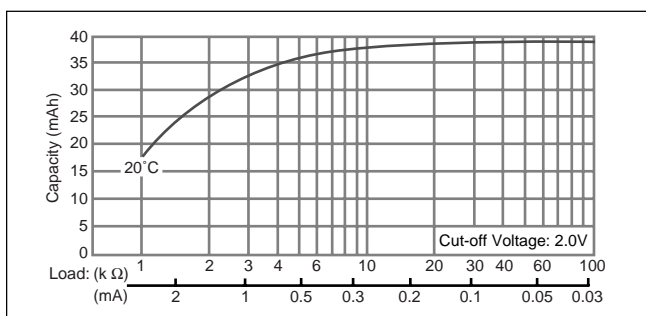
■ Temperature Characteristics



■ Operating voltage vs. load resistance (voltage at 50% discharge depth)



■ Capacity vs. load resistance



CR1612

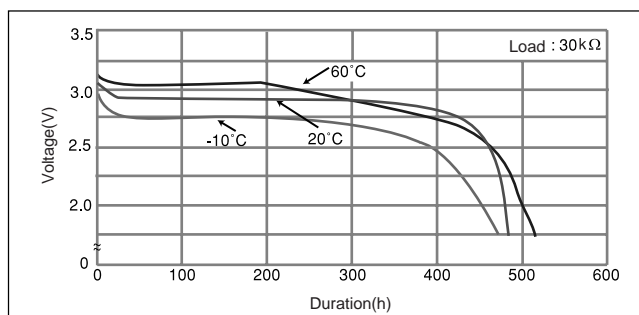
■ Dimensions(mm)



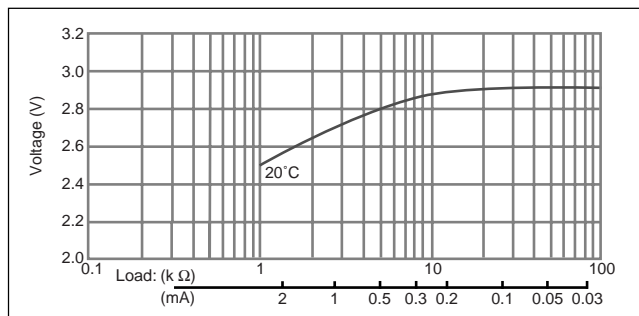
■ Specification

| | |
|-------------------------------|-----------|
| Nominal voltage (V) | 3 |
| Nominal capacity (mAh) | 40 |
| Continuous standard load (mA) | 0.1 |
| Operating temperature (C) | -30 ~ +60 |

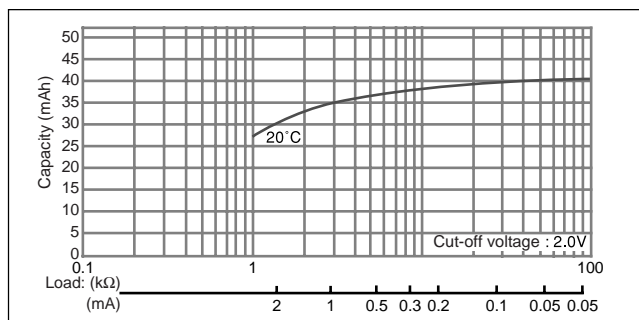
■ Temperature Characteristics



■ Operating voltage vs. load resistance (voltage at 50% discharge depth)



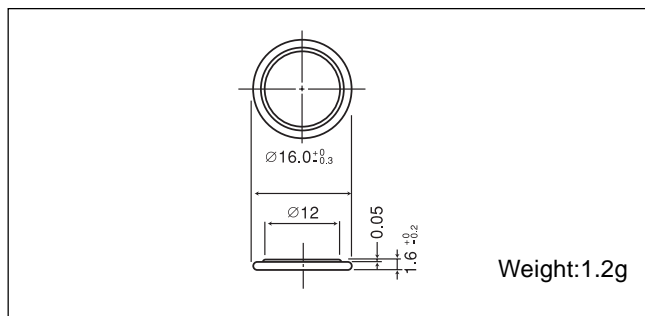
■ Capacity vs. load resistance



Manganese Dioxide Lithium Coin Batteries: Individual Specifications

CR1616

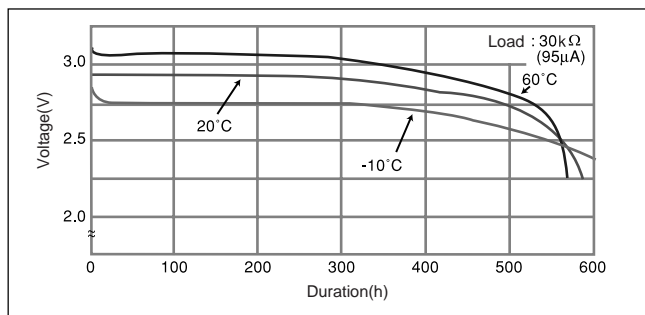
■ Dimensions(mm)



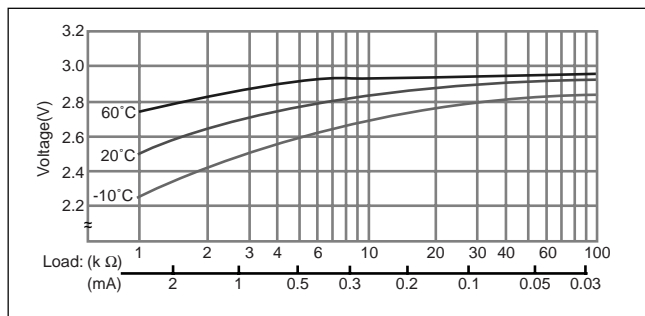
■ Specification

| | |
|-------------------------------|-----------|
| Nominal voltage (V) | 3 |
| Nominal capacity (mAh) | 55 |
| Continuous standard load (mA) | 0.1 |
| Operating temperature (C) | -30 ~ +60 |

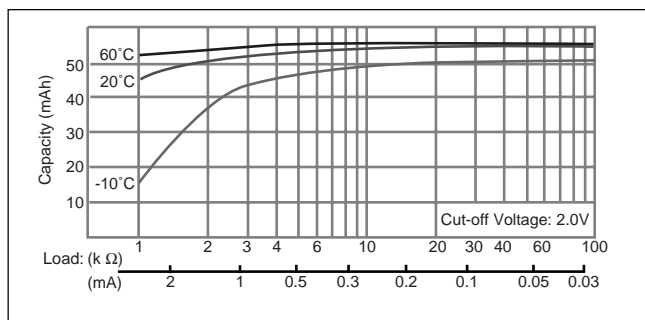
■ Temperature Characteristics



■ Operating voltage vs. load resistance (voltage at 50% discharge depth)

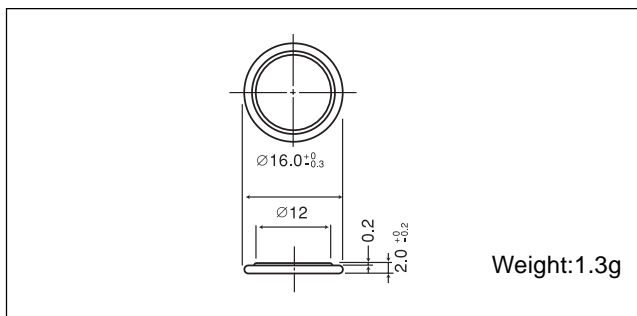


■ Capacity vs. load resistance



CR1620

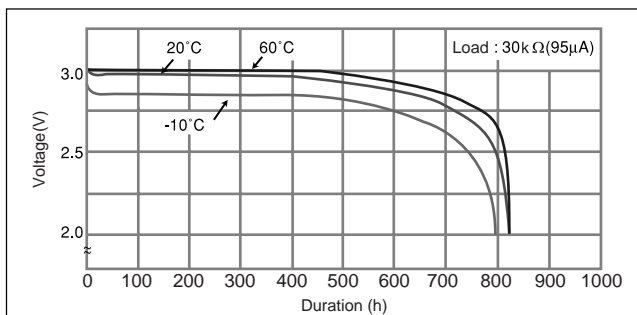
■ Dimensions(mm)



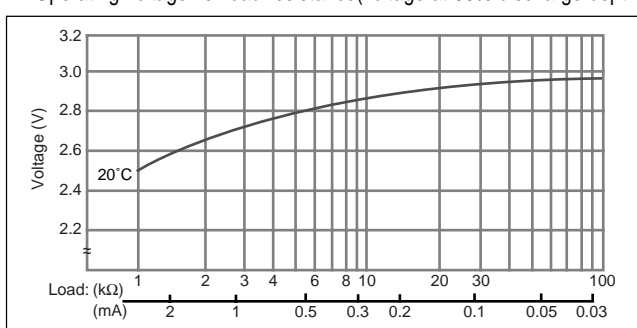
■ Specification

| | |
|-------------------------------|-----------|
| Nominal voltage (V) | 3 |
| Nominal capacity (mAh) | 75 |
| Continuous standard load (mA) | 0.1 |
| Operating temperature (C) | -30 ~ +60 |

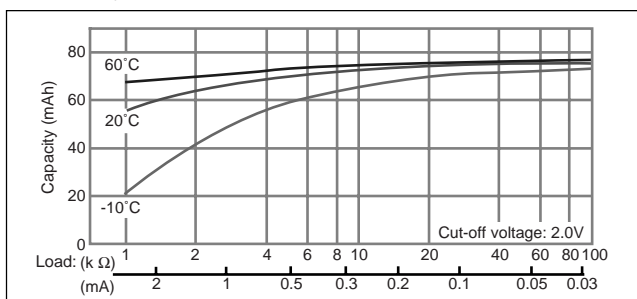
■ Temperature Characteristics



■ Operating voltage vs. load resistance (voltage at 50% discharge depth)



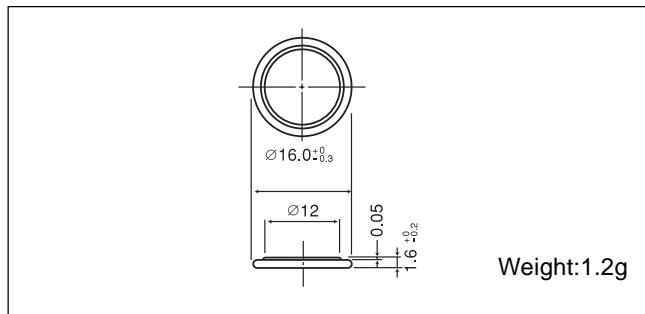
■ Capacity vs. load resistance



Manganese Dioxide Lithium Coin Batteries: Individual Specifications

CR1616

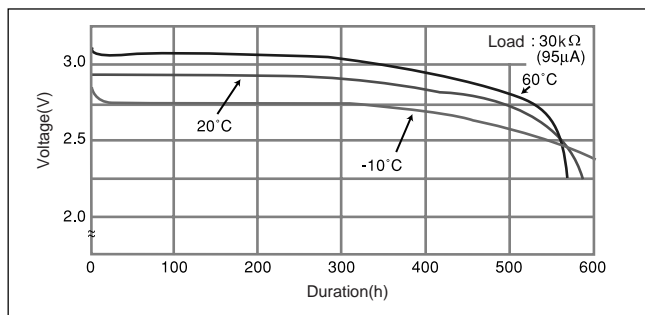
■ Dimensions(mm)



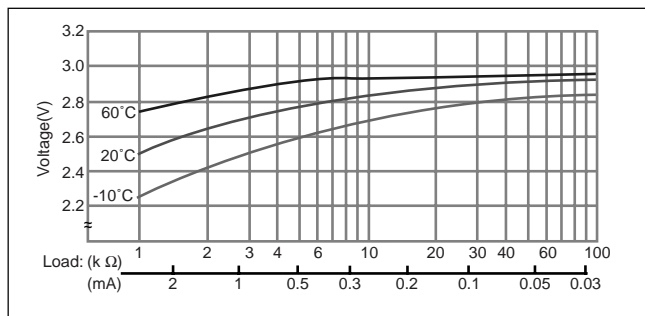
■ Specification

| | |
|--------------------------------------|-----------|
| Nominal voltage (V) | 3 |
| Nominal capacity (mAh) | 55 |
| Continuous standard load (mA) | 0.1 |
| Operating temperature (C) | -30 ~ +60 |

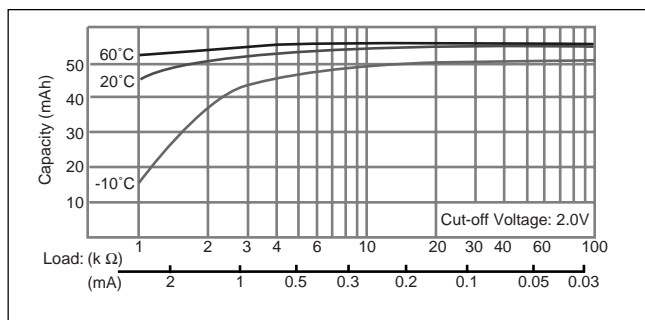
■ Temperature Characteristics



■ Operating voltage vs. load resistance (voltage at 50% discharge depth)

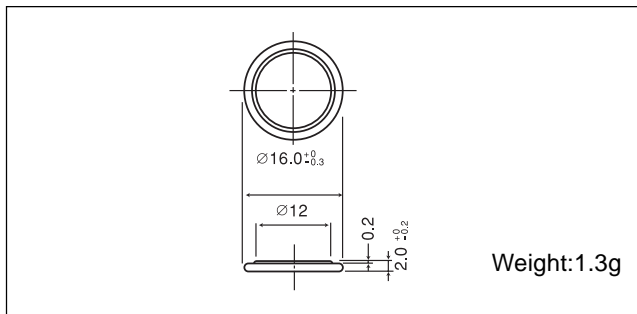


■ Capacity vs. load resistance



CR1620

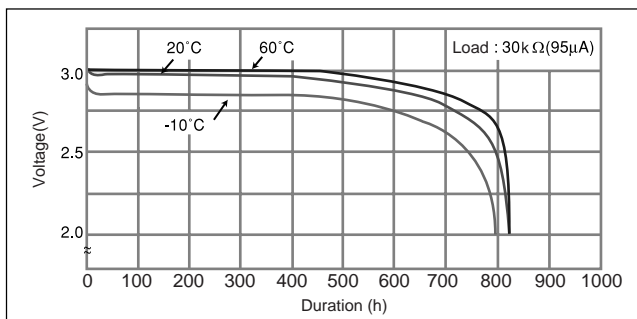
■ Dimensions(mm)



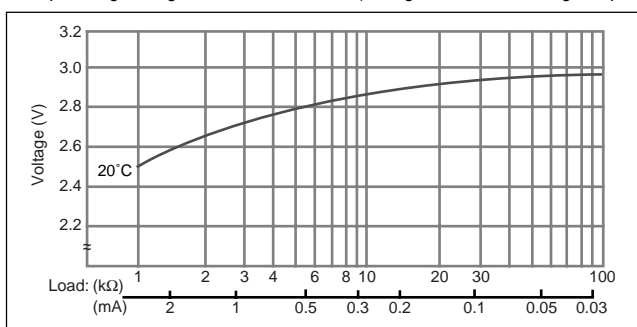
■ Specification

| | |
|--------------------------------------|-----------|
| Nominal voltage (V) | 3 |
| Nominal capacity (mAh) | 75 |
| Continuous standard load (mA) | 0.1 |
| Operating temperature (C) | -30 ~ +60 |

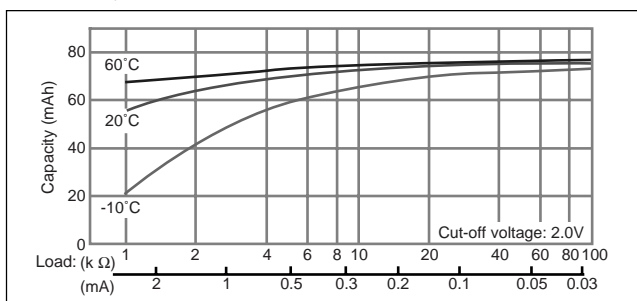
■ Temperature Characteristics



■ Operating voltage vs. load resistance (voltage at 50% discharge depth)



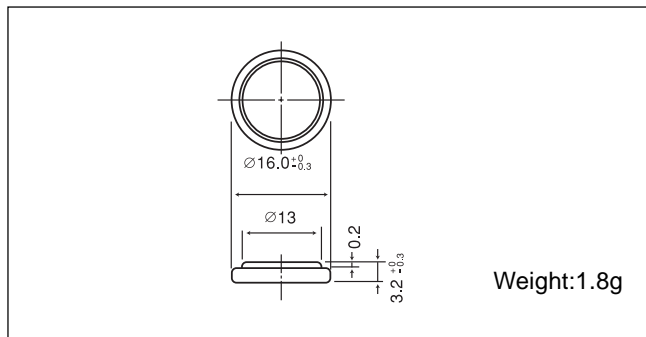
■ Capacity vs. load resistance



Manganese Dioxide Lithium Coin Batteries: Individual Specifications

CR1632

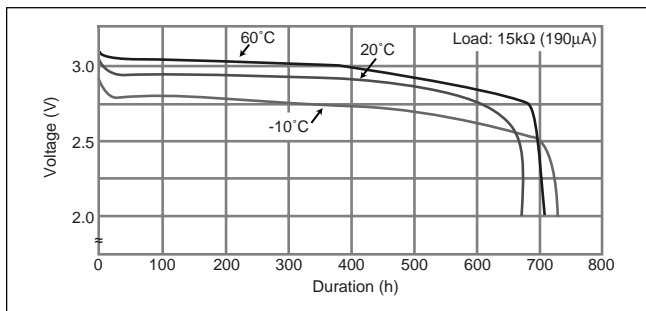
■ Dimensions(mm)



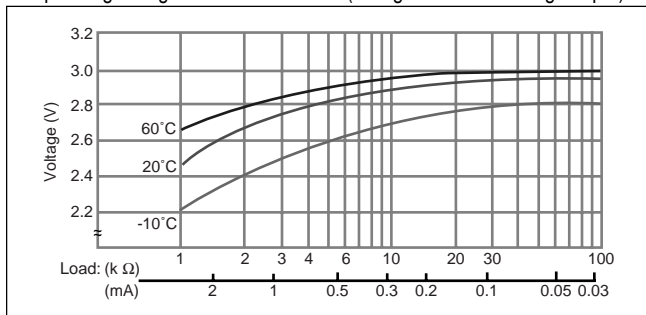
■ Specification

| | |
|-------------------------------|-----------|
| Nominal voltage (V) | 3 |
| Nominal capacity (mAh) | 140 |
| Continuous standard load (mA) | 0.1 |
| Operating temperature (C) | -30 ~ +60 |

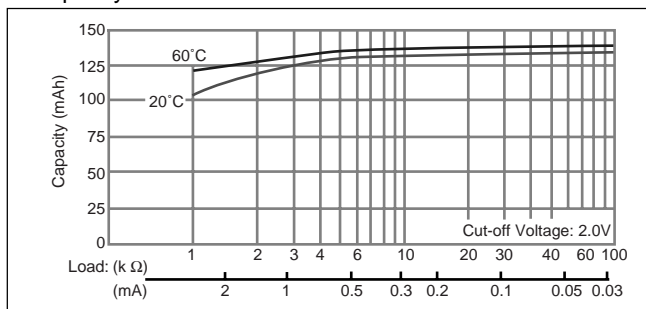
■ Temperature Characteristics



■ Operating voltage vs. load resistance (voltage at 50% discharge depth)



■ Capacity vs. load resistance



CR2012

■ Dimensions(mm)



■ Specification

| | |
|-------------------------------|-----------|
| Nominal voltage (V) | 3 |
| Nominal capacity (mAh) | 55 |
| Continuous standard load (mA) | 0.1 |
| Operating temperature (C) | -30 ~ +60 |

■ Temperature Characteristics



■ Operating voltage vs. load resistance (voltage at 50% discharge depth)



■ Capacity vs. load resistance



Manganese Dioxide Lithium Coin Batteries: Individual Specifications

CR2016

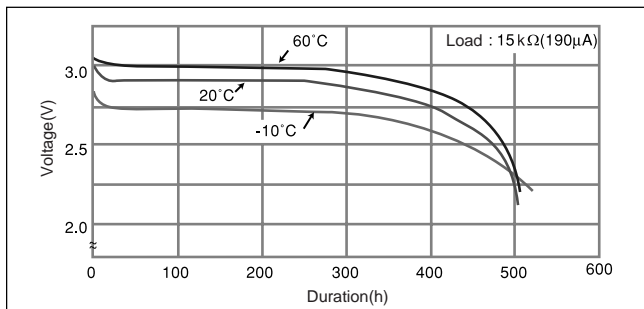
■ Dimensions(mm)



■ Specification

| | |
|-------------------------------|-----------|
| Nominal voltage (V) | 3 |
| Nominal capacity (mAh) | 90 |
| Continuous standard load (mA) | 0.1 |
| Operating temperature (C) | -30 ~ +60 |

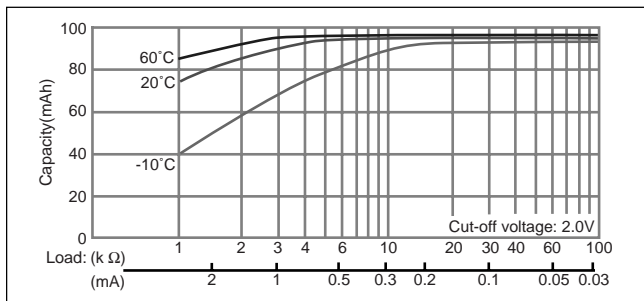
■ Temperature Characteristics



■ Operating voltage vs. load resistance (voltage at 50% discharge depth)

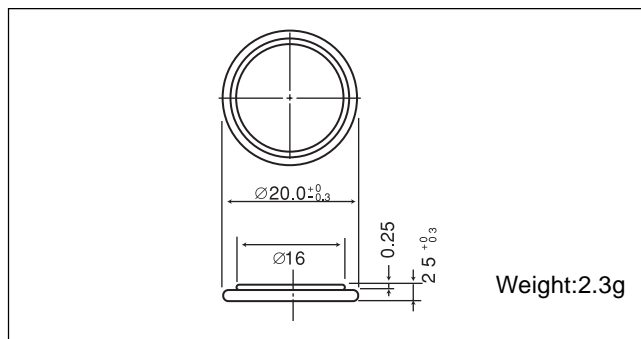


■ Capacity vs. load resistance



CR2025

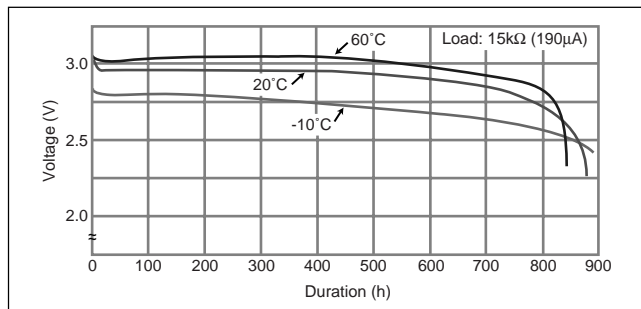
■ Dimensions(mm)



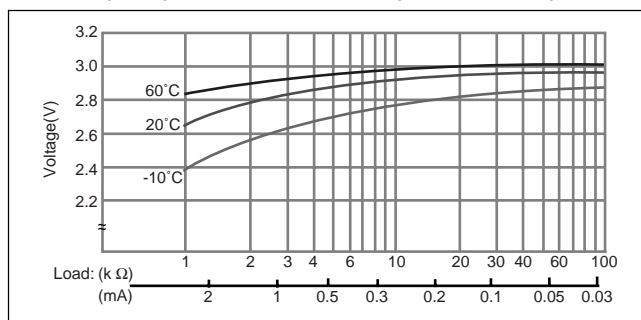
■ Specification

| | |
|-------------------------------|-----------|
| Nominal voltage (V) | 3 |
| Nominal capacity (mAh) | 165 |
| Continuous standard load (mA) | 0.2 |
| Operating temperature (C) | -30 ~ +60 |

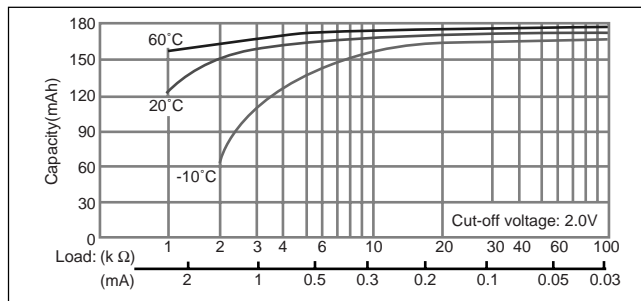
■ Temperature Characteristics



■ Operating voltage vs. load resistance (voltage at 50% discharge depth)



■ Capacity vs. load resistance



Manganese Dioxide Lithium Coin Batteries: Individual Specifications

CR2016

■ Dimensions(mm)



■ Specification

| | |
|-------------------------------|-----------|
| Nominal voltage (V) | 3 |
| Nominal capacity (mAh) | 90 |
| Continuous standard load (mA) | 0.1 |
| Operating temperature (C) | -30 ~ +60 |

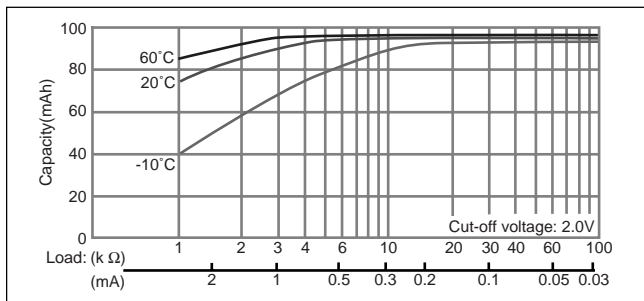
■ Temperature Characteristics



■ Operating voltage vs. load resistance (voltage at 50% discharge depth)



■ Capacity vs. load resistance



CR2025

■ Dimensions(mm)



■ Specification

| | |
|-------------------------------|-----------|
| Nominal voltage (V) | 3 |
| Nominal capacity (mAh) | 165 |
| Continuous standard load (mA) | 0.2 |
| Operating temperature (C) | -30 ~ +60 |

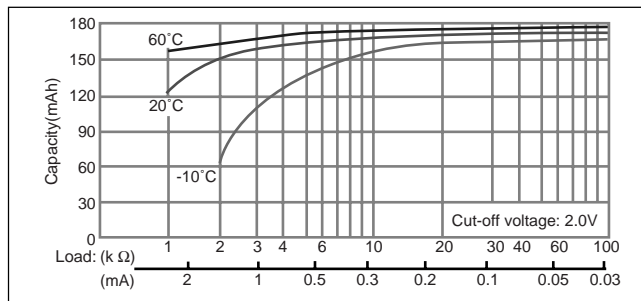
■ Temperature Characteristics



■ Operating voltage vs. load resistance (voltage at 50% discharge depth)



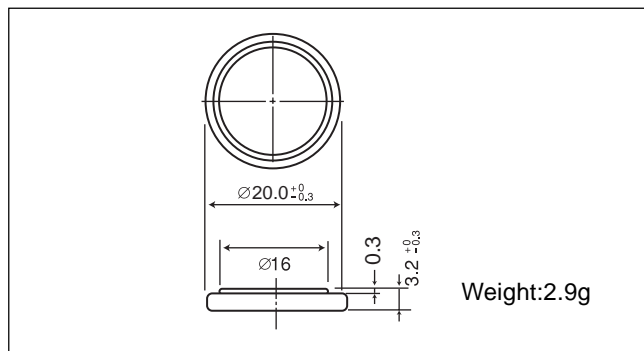
■ Capacity vs. load resistance



Manganese Dioxide Lithium Coin Batteries: Individual Specifications

CR2032

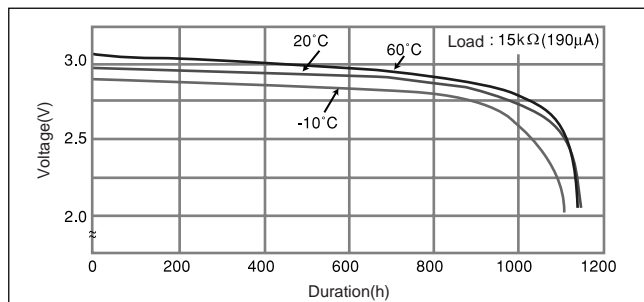
□ Dimensions(mm)



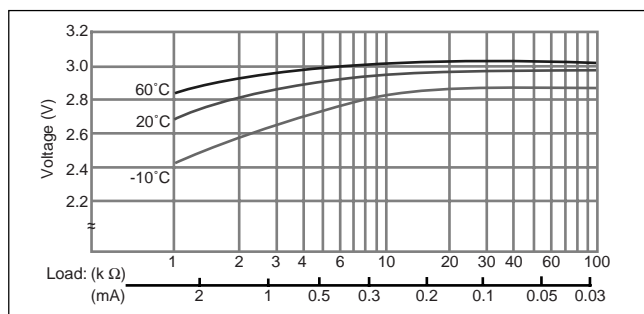
□ Specification

| | |
|-------------------------------|-----------|
| Nominal voltage (V) | 3 |
| Nominal capacity (mAh) | 225 |
| Continuous standard load (mA) | 0.2 |
| Operating temperature (C) | -30 ~ +60 |

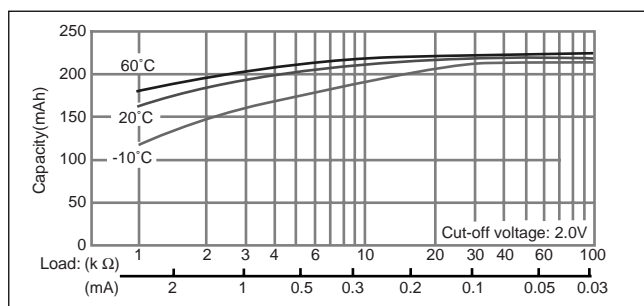
□ Temperature Characteristics



□ Operating voltage vs. load resistance (voltage at 50% discharge depth)

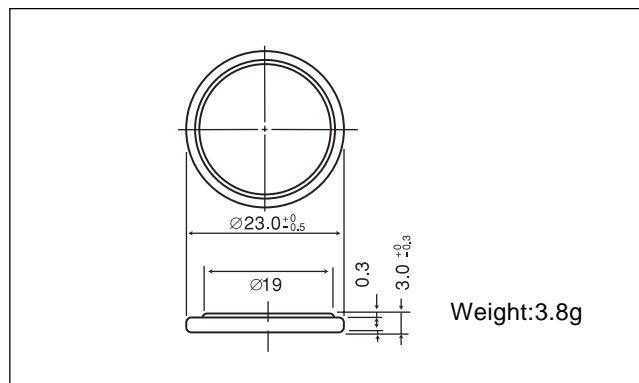


□ Capacity vs. load resistance



CR2330

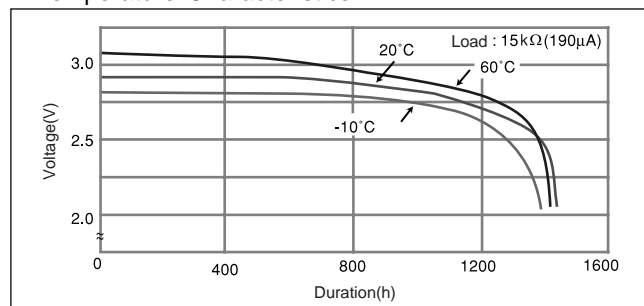
□ Dimensions(mm)



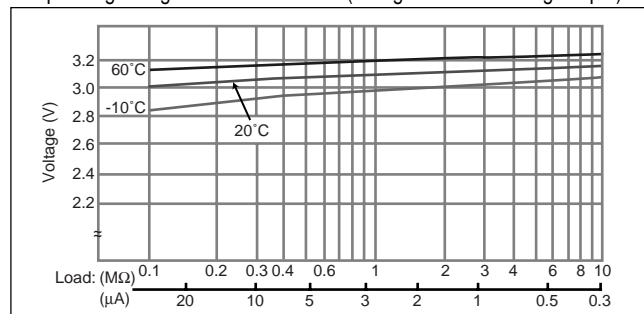
□ Specification

| | |
|-------------------------------|-----------|
| Nominal voltage (V) | 3 |
| Nominal capacity (mAh) | 265 |
| Continuous standard load (mA) | 0.2 |
| Operating temperature (C) | -30 ~ +60 |

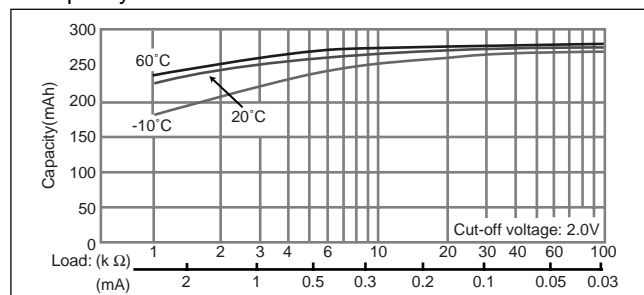
□ Temperature Characteristics



□ Operating voltage vs. load resistance (voltage at 50% discharge depth)



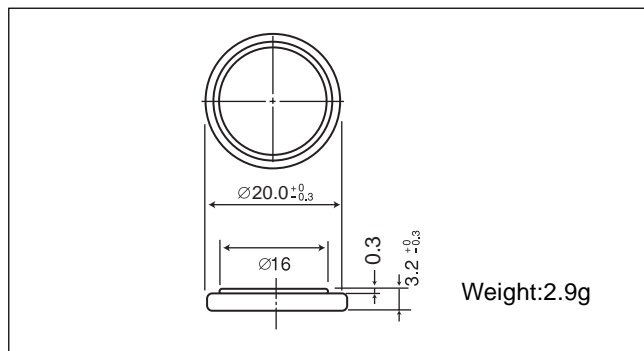
□ Capacity vs. load resistance



Manganese Dioxide Lithium Coin Batteries: Individual Specifications

CR2032

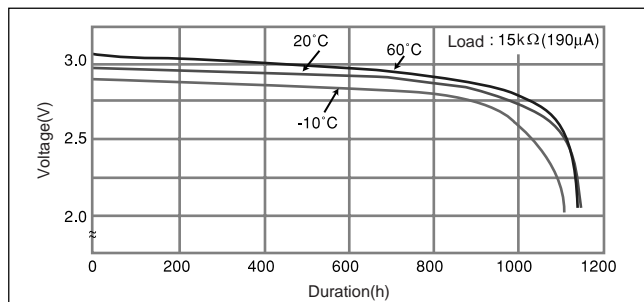
□ Dimensions(mm)



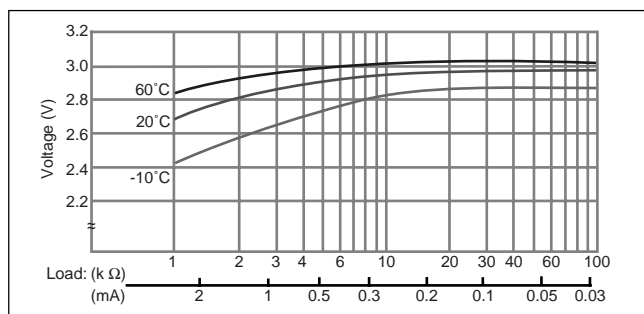
□ Specification

| | |
|-------------------------------|-----------|
| Nominal voltage (V) | 3 |
| Nominal capacity (mAh) | 225 |
| Continuous standard load (mA) | 0.2 |
| Operating temperature (C) | -30 ~ +60 |

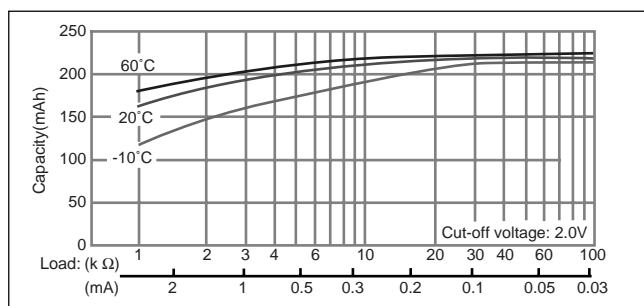
□ Temperature Characteristics



□ Operating voltage vs. load resistance (voltage at 50% discharge depth)

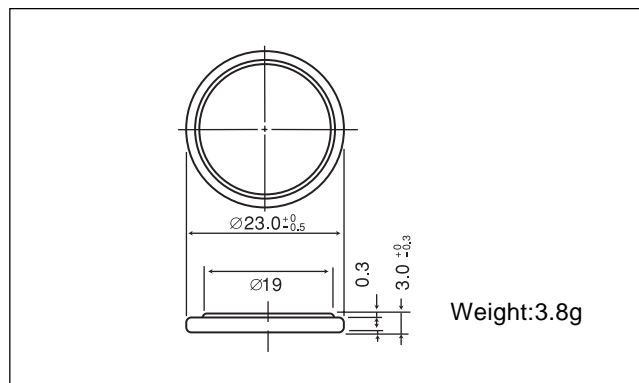


□ Capacity vs. load resistance



CR2330

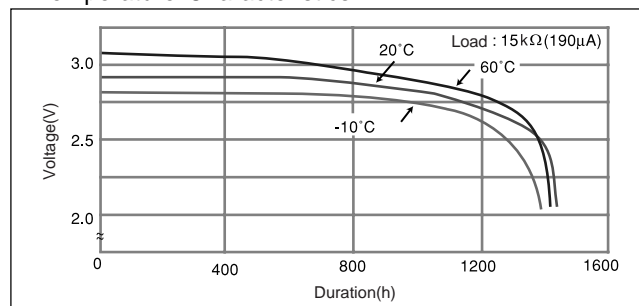
□ Dimensions(mm)



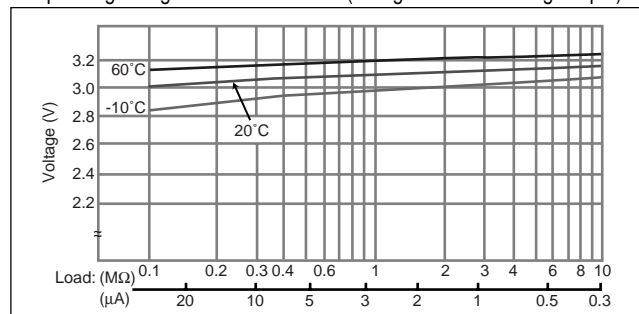
□ Specification

| | |
|-------------------------------|-----------|
| Nominal voltage (V) | 3 |
| Nominal capacity (mAh) | 265 |
| Continuous standard load (mA) | 0.2 |
| Operating temperature (C) | -30 ~ +60 |

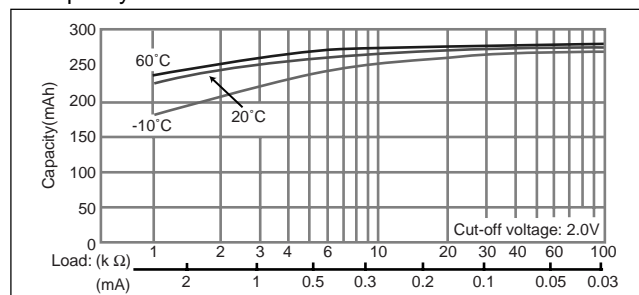
□ Temperature Characteristics



□ Operating voltage vs. load resistance (voltage at 50% discharge depth)



□ Capacity vs. load resistance



Manganese Dioxide Lithium Coin Batteries: Individual Specifications

CR2354

□ Dimensions(mm)



□ Specification

| | |
|--------------------------------------|-----------|
| Nominal voltage (V) | 3 |
| Nominal capacity (mAh) | 560 |
| Continuous standard load (mA) | 0.2 |
| Operating temperature (C) | -30 ~ +60 |

□ Temperature Characteristics



□ Operating voltage vs. load resistance (voltage at 50% discharge depth)



□ Capacity vs. load resistance



CR2412

□ Dimensions(mm)



□ Specification

| | |
|--------------------------------------|-----------|
| Nominal voltage (V) | 3 |
| Nominal capacity (mAh) | 100 |
| Continuous standard load (mA) | 0.2 |
| Operating temperature (C) | -30 ~ +60 |

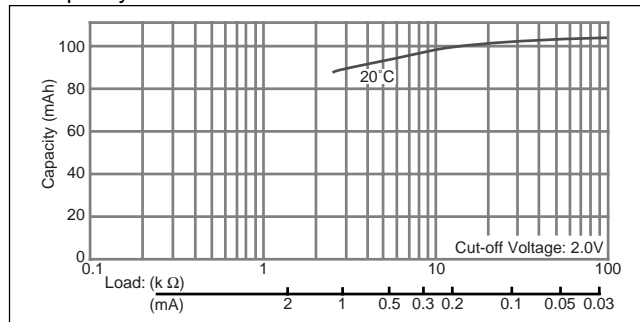
□ Temperature Characteristics



□ Operating voltage vs. load resistance (voltage at 50% discharge depth)



□ Capacity vs. load resistance



Manganese Dioxide Lithium Coin Batteries: Individual Specifications

CR2354

□ Dimensions(mm)



□ Specification

| | |
|--------------------------------------|-----------|
| Nominal voltage (V) | 3 |
| Nominal capacity (mAh) | 560 |
| Continuous standard load (mA) | 0.2 |
| Operating temperature (C) | -30 ~ +60 |

□ Temperature Characteristics



□ Operating voltage vs. load resistance (voltage at 50% discharge depth)



□ Capacity vs. load resistance



CR2412

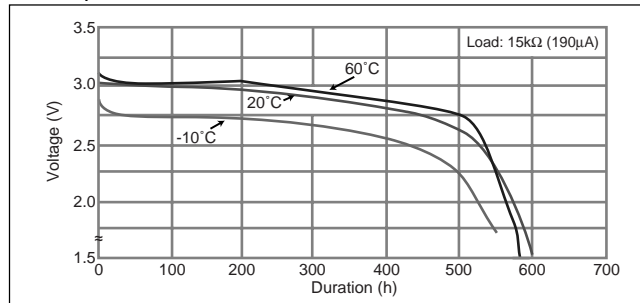
□ Dimensions(mm)



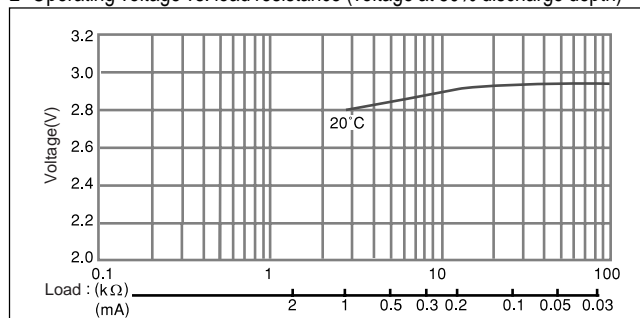
□ Specification

| | |
|--------------------------------------|-----------|
| Nominal voltage (V) | 3 |
| Nominal capacity (mAh) | 100 |
| Continuous standard load (mA) | 0.2 |
| Operating temperature (C) | -30 ~ +60 |

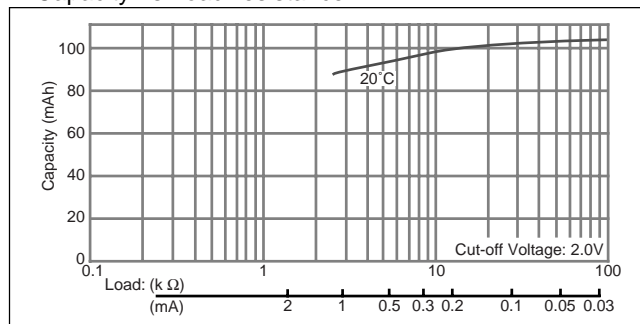
□ Temperature Characteristics



□ Operating voltage vs. load resistance (voltage at 50% discharge depth)



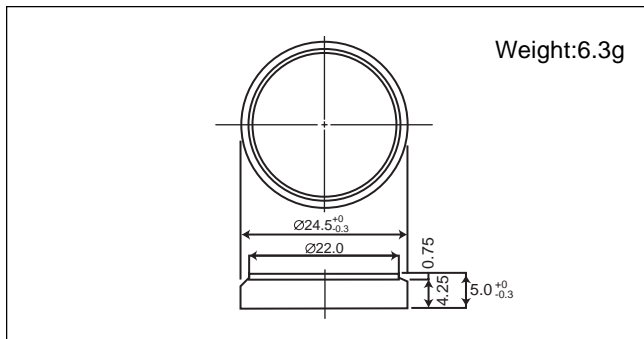
□ Capacity vs. load resistance



Manganese Dioxide Lithium Coin Batteries: Individual Specifications

CR2450

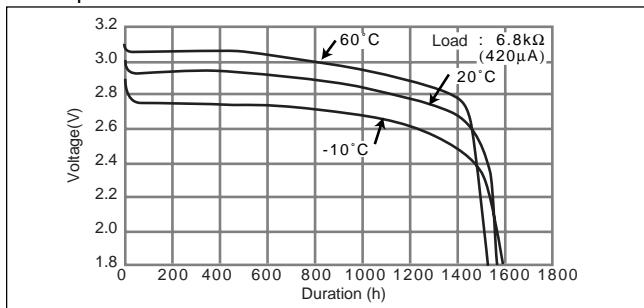
■ Dimensions(mm)



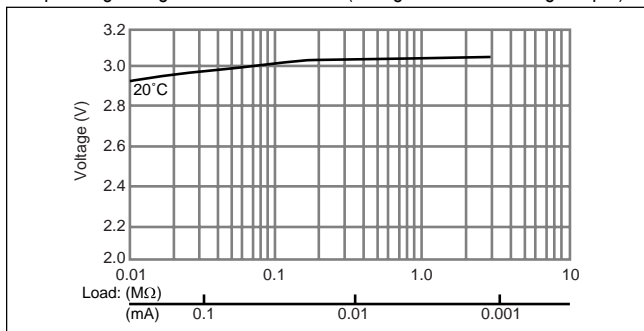
■ Specification

| | |
|-------------------------------|-----------|
| Nominal voltage (V) | 3 |
| Nominal capacity (mAh) | 620 |
| Continuous standard load (mA) | 0.2 |
| Operating temperature (C) | -30 ~ +60 |

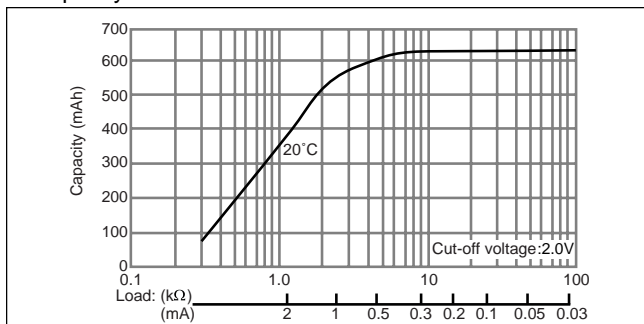
■ Temperature Characteristics



■ Operating voltage vs. load resistance (voltage at 50% discharge depth)

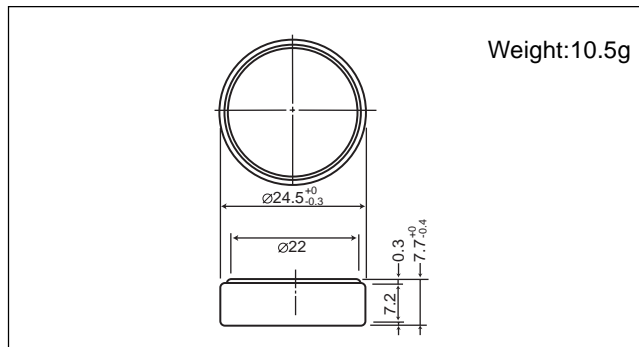


■ Capacity vs. load resistance



CR2477

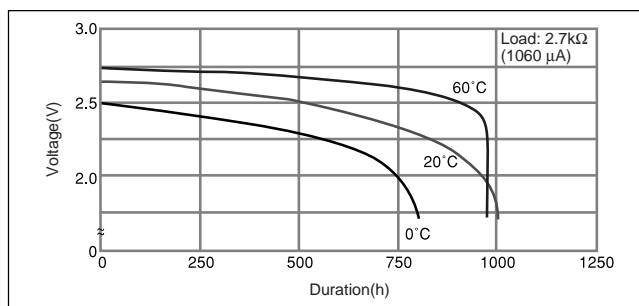
■ Dimensions(mm)



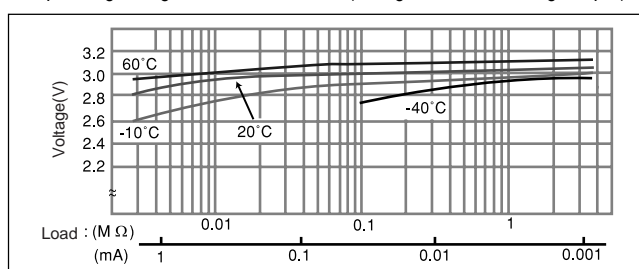
■ Specification

| | |
|-------------------------------|-----------|
| Nominal voltage (V) | 3 |
| Nominal capacity (mAh) | 1,000 |
| Continuous standard load (mA) | 0.2 |
| Operating temperature (C) | -30 ~ +60 |

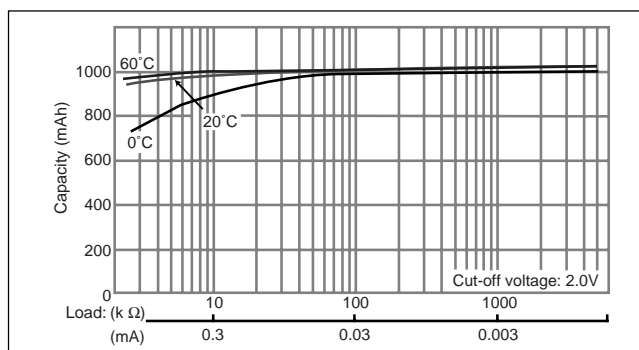
■ Temperature Characteristics



■ Operating voltage vs. load resistance (voltage at 50% discharge depth)



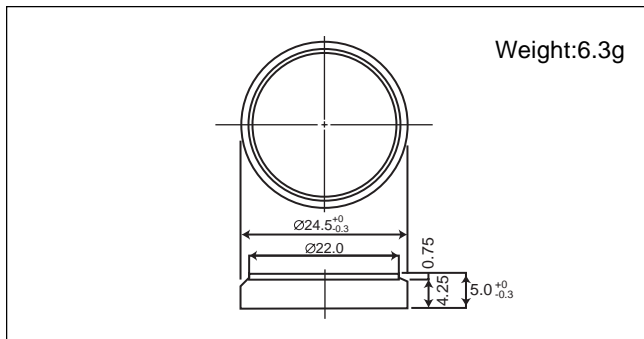
■ Capacity vs. load resistance



Manganese Dioxide Lithium Coin Batteries: Individual Specifications

CR2450

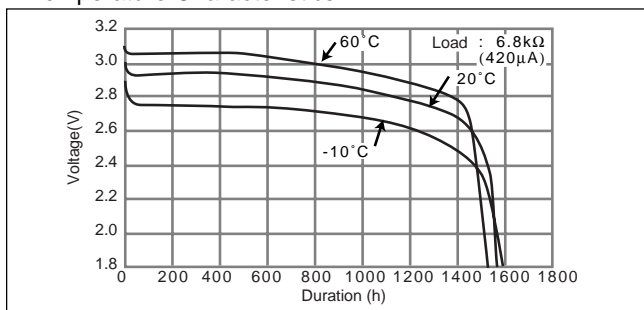
■ Dimensions(mm)



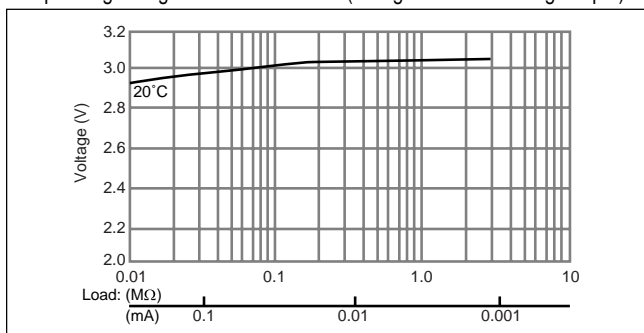
■ Specification

| | |
|-------------------------------|-----------|
| Nominal voltage (V) | 3 |
| Nominal capacity (mAh) | 620 |
| Continuous standard load (mA) | 0.2 |
| Operating temperature (C) | -30 ~ +60 |

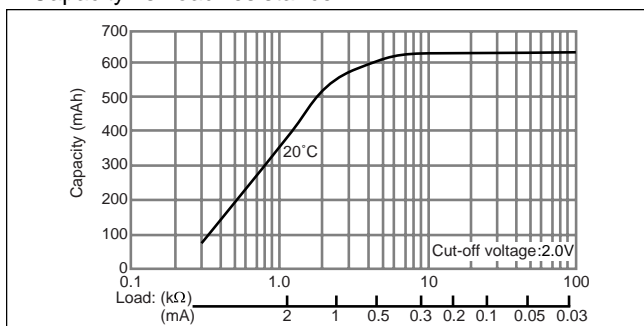
■ Temperature Characteristics



■ Operating voltage vs. load resistance (voltage at 50% discharge depth)

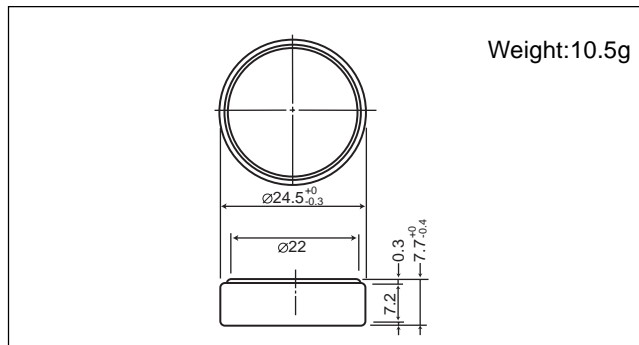


■ Capacity vs. load resistance



CR2477

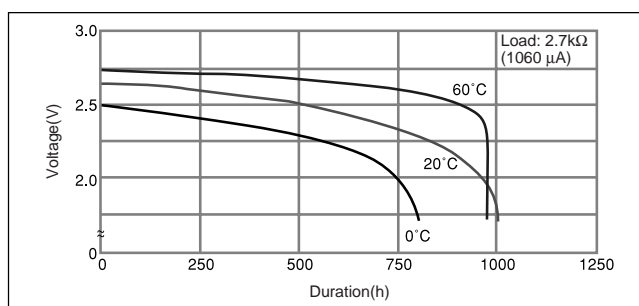
■ Dimensions(mm)



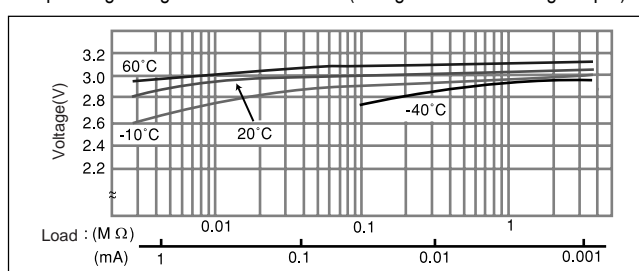
■ Specification

| | |
|-------------------------------|-----------|
| Nominal voltage (V) | 3 |
| Nominal capacity (mAh) | 1,000 |
| Continuous standard load (mA) | 0.2 |
| Operating temperature (C) | -30 ~ +60 |

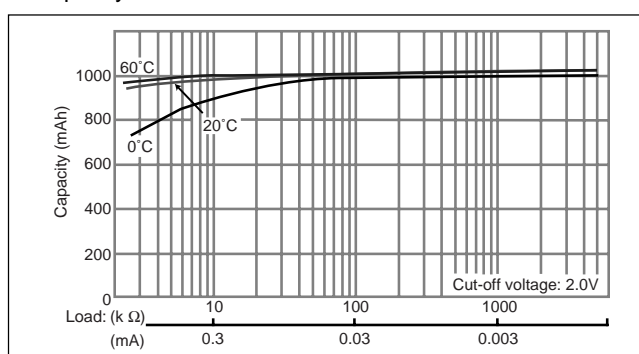
■ Temperature Characteristics



■ Operating voltage vs. load resistance (voltage at 50% discharge depth)



■ Capacity vs. load resistance



Manganese Dioxide Lithium Coin Batteries: Individual Specifications

CR3032

□ Dimensions(mm)



□ Specification

| | |
|--------------------------------------|-----------|
| Nominal voltage (V) | 3 |
| Nominal capacity (mAh) | 500 |
| Continuous standard load (mA) | 0.2 |
| Operating temperature (C) | -30 ~ +60 |

□ Temperature Characteristics



□ Operating voltage vs. load resistance (voltage at 50% discharge depth)



□ Capacity vs. load resistance



Компания «Океан Электроники» предлагает заключение долгосрочных отношений при поставках импортных электронных компонентов на взаимовыгодных условиях!

Наши преимущества:

- Поставка оригинальных импортных электронных компонентов напрямую с производств Америки, Европы и Азии, а так же с крупнейших складов мира;
- Широкая линейка поставок активных и пассивных импортных электронных компонентов (более 30 млн. наименований);
- Поставка сложных, дефицитных, либо снятых с производства позиций;
- Оперативные сроки поставки под заказ (от 5 рабочих дней);
- Экспресс доставка в любую точку России;
- Помощь Конструкторского Отдела и консультации квалифицированных инженеров;
- Техническая поддержка проекта, помощь в подборе аналогов, поставка прототипов;
- Поставка электронных компонентов под контролем ВП;
- Система менеджмента качества сертифицирована по Международному стандарту ISO 9001;
- При необходимости вся продукция военного и аэрокосмического назначения проходит испытания и сертификацию в лаборатории (по согласованию с заказчиком);
- Поставка специализированных компонентов военного и аэрокосмического уровня качества (Xilinx, Altera, Analog Devices, Intersil, Interpoint, Microsemi, Actel, Aeroflex, Peregrine, VPT, Syfer, Eurofarad, Texas Instruments, MS Kennedy, Miteq, Cobham, E2V, MA-COM, Hittite, Mini-Circuits, General Dynamics и др.);

Компания «Океан Электроники» является официальным дистрибьютором и эксклюзивным представителем в России одного из крупнейших производителей разъемов военного и аэрокосмического назначения «JONHON», а так же официальным дистрибьютором и эксклюзивным представителем в России производителя высокотехнологичных и надежных решений для передачи СВЧ сигналов «FORSTAR».



JONHON

«JONHON» (основан в 1970 г.)

Разъемы специального, военного и аэрокосмического назначения:

(Применяются в военной, авиационной, аэрокосмической, морской, железнодорожной, горно- и нефтедобывающей отраслях промышленности)

«FORSTAR» (основан в 1998 г.)

ВЧ соединители, коаксиальные кабели, кабельные сборки и микроволновые компоненты:

(Применяются в телекоммуникациях гражданского и специального назначения, в средствах связи, РЛС, а так же военной, авиационной и аэрокосмической отраслях промышленности).



Телефон: 8 (812) 309-75-97 (многоканальный)

Факс: 8 (812) 320-03-32

Электронная почта: ocean@oceanchips.ru

Web: <http://oceanchips.ru/>

Адрес: 198099, г. Санкт-Петербург, ул. Калинина, д. 2, корп. 4, лит. А