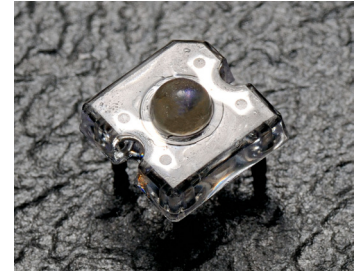


Cree® P4 LED CP41A-RDS/ADS CP41A-RFS/AFS CP41A-RHS/AHS



PRODUCT DESCRIPTION

This revolutionary package design allows the lighting designer to reduce the number of LEDs required and provide a more uniform and unique illuminated appearance than with other LED solutions.

This is possible through the efficient optical-package design and high-current capabilities. The low-profile package can be easily coupled with reflectors or lenses to efficiently distribute light and provide the desired lit appearance. This product family employs green and blue LED materials, which allows designers to match the color of many lighting applications such as vehicle signal lamps and amusement lighting.

FEATURES

- Size (mm): 7.6 x 7.6
- Color and Typical Dominant Wavelength:
Red (624nm)
Amber(591nm)
- Luminous Flux (mlm)
CP41A-RDS:(4400-11000)
CP41A-RFS:(4400-11000)
CP41A-RHS:(4400-11000)
CP41A-ADS:(4400-11000)
CP41A-AFS:(4400-11000)
CP41A-AHS:(4400-11000)
- Lead - Free
- RoHS Compliant

APPLICATIONS

- Channel Letter
- Amusement

ABSOLUTE MAXIMUM RATINGS ($T_A = 25^\circ\text{C}$)

| Items | Symbol | Absolute Maximum Rating | Unit |
|---|---------------|---|------------------|
| | | Red/Amber | |
| Forward Current | I_F | 70 ^{Note1} | mA |
| Peak Forward Current ^{Note2} | I_{FP} | 100 | mA |
| Reverse Voltage | V_R | 5 | V |
| Power Dissipation | P_D (Red) | 238 | mW |
| | P_D (Amber) | 224 | mW |
| Operation Temperature | T_{opr} | -40 ~ +100 | $^\circ\text{C}$ |
| Storage Temperature | T_{stg} | -40 ~ +100 | $^\circ\text{C}$ |
| Lead Soldering Temperature | T_{sol} | Max. 260 $^\circ\text{C}$ for 5 sec. max. (3 mm from the base of the epoxy bulb) | |
| Electrostatic Discharge Classification (MIL-STD-883E) | ESD | Class 2 | |

Note:

1. A heat sink is recommended if the device is operated at ambient temperatures higher than 25 $^\circ\text{C}$.
2. Pulse width ≤ 0.1 msec, duty $\leq 1/10$.

TYPICAL ELECTRICAL & OPTICAL CHARACTERISTICS ($T_A = 25^\circ\text{C}$)

| Characteristics | Color | Symbol | Condition | Unit | Minimum | Typical | Maximum |
|---------------------|---------------|------------------------|---------------|---------------|---------|---------|---------|
| Forward Voltage | Red | V_F | $I_F = 70$ mA | V | | 2.3 | 3.2 |
| | Amber | V_F | $I_F = 70$ mA | V | | 2.5 | 3.2 |
| Reverse Current | Red/Amber | I_R | $V_R = 5$ V | μA | | | 100 |
| Dominant Wavelength | Red | λ_D | $I_F = 70$ mA | nm | 620 | 624 | 630 |
| | Amber | λ_D | $I_F = 70$ mA | nm | 587 | 591 | 596 |
| Luminous Flux | Red | CP41A-RDS (40 degree) | Φ_v | $I_F = 70$ mA | mIm | 4400 | 5300 |
| | | CP41A-RFS (70 degree) | Φ_v | $I_F = 70$ mA | mIm | 4400 | 5500 |
| | | CP41A-RHS (100 degree) | Φ_v | $I_F = 70$ mA | mIm | 4400 | 6000 |
| | Amber | CP41A-ADS (40 degree) | Φ_v | $I_F = 70$ mA | mIm | 4400 | 6200 |
| | | CP41A-AFS (70 degree) | Φ_v | $I_F = 70$ mA | mIm | 4400 | 6600 |
| | | CP41A-AHS (100 degree) | Φ_v | $I_F = 70$ mA | mIm | 4400 | 7200 |
| 50% Power Angle | CP41A-RDS/ADS | $2\theta_{1/2}$ | $I_F = 70$ mA | deg | | 40 | |
| | CP41A-RFS/AFS | $2\theta_{1/2}$ | $I_F = 70$ mA | deg | | 70 | |
| | CP41A-RHS/AHS | $2\theta_{1/2}$ | $I_F = 70$ mA | deg | | 100 | |

FLUX BIN LIMIT ($I_F = 70 \text{ mA}$)

Red

CP41A-RDS/RFS/RHS (40/70/100 degree)

| Bin Code | Min.(mlm) | Max.(mlm) |
|----------|-----------|-----------|
| L0 | 4400 | 5500 |
| M0 | 5500 | 6600 |
| N0 | 6600 | 8730 |
| P0 | 8730 | 11000 |

Amber

CP41A-ADS/AFS/AHS (40/70/100 degree)

| Bin Code | Min.(mlm) | Max.(mlm) |
|----------|-----------|-----------|
| L0 | 4400 | 5500 |
| M0 | 5500 | 6600 |
| N0 | 6600 | 8730 |
| P0 | 8730 | 11000 |

- Tolerance of measurement of luminous flux is $\pm 15\%$

COLOR BIN LIMIT ($I_F = 70 \text{ mA}$)

Red

| Bin Code | Min.(nm) | Max.(nm) |
|----------|----------|----------|
| RJ | 620 | 630 |

Amber

| Bin Code | Min.(nm) | Max.(nm) |
|----------|----------|----------|
| A3 | 587 | 590 |
| A4 | 590 | 593 |
| A5 | 593 | 596 |

- Tolerance of measurement of dominant wavelength is $\pm 1 \text{ nm}$

VF BIN LIMIT ($I_F = 70 \text{ mA}$)

Red

| Bin Code | Min.(V) | Max.(V) |
|----------|---------|---------|
| 23 | 2.0 | 2.2 |
| 24 | 2.2 | 2.4 |
| 25 | 2.4 | 2.6 |
| 26 | 2.6 | 2.8 |
| 27 | 2.8 | 3.0 |
| 28 | 3.0 | 3.2 |

Amber

| Bin Code | Min.(V) | Max.(V) |
|----------|---------|---------|
| 23 | 2.0 | 2.2 |
| 24 | 2.2 | 2.4 |
| 25 | 2.4 | 2.6 |
| 26 | 2.6 | 2.8 |
| 27 | 2.8 | 3.0 |
| 28 | 3.0 | 3.2 |

- Tolerance of measurement of VF is $\pm 0.05\text{V}$.

ORDER CODE TABLE*

| Color | Kit Number | Viewing Angle | Luminous Flux (mlm) | | Dominant Wavelength | | | |
|-------|--------------------|---------------|---------------------|-------|---------------------|-----------|-----------|-----------|
| | | | Min. | Max. | Color Bin | Min. (nm) | Color Bin | Max. (nm) |
| Red | CP41A-RDS-CL0P0JJ4 | 40 | 4400 | 11000 | RJ | 620 | RJ | 630 |

| Color | Kit Number | Viewing Angle | Luminous Flux (mlm) | | Dominant Wavelength | | | |
|-------|--------------------|---------------|---------------------|-------|---------------------|-----------|-----------|-----------|
| | | | Min. | Max. | Color Bin | Min. (nm) | Color Bin | Max. (nm) |
| Red | CP41A-RFS-CL0P0JJ4 | 70 | 4400 | 11000 | RJ | 620 | RJ | 630 |

| Color | Kit Number | Viewing Angle | Luminous Flux (mlm) | | Dominant Wavelength | | | |
|-------|--------------------|---------------|---------------------|-------|---------------------|-----------|-----------|-----------|
| | | | Min. | Max. | Color Bin | Min. (nm) | Color Bin | Max. (nm) |
| Red | CP41A-RHS-CL0P0JJ4 | 100 | 4400 | 11000 | RJ | 620 | RJ | 630 |
| Red | CP41A-RHS-CM0P0JJ4 | 100 | 5500 | 11000 | RJ | 620 | RJ | 630 |
| Red | CP41A-RHS-CN0P0JJ4 | 100 | 6600 | 11000 | RJ | 620 | RJ | 630 |

| Color | Kit Number | Viewing Angle | Luminous Flux (mlm) | | Dominant Wavelength | | | |
|-------|--------------------|---------------|---------------------|-------|---------------------|-----------|-----------|-----------|
| | | | Min. | Max. | Color Bin | Min. (nm) | Color Bin | Max. (nm) |
| Amber | CP41A-ADS-CL0P0354 | 40 | 4400 | 11000 | A3 | 587 | A5 | 596 |
| Amber | CP41A-ADS-CL0P0454 | 40 | 4400 | 11000 | A4 | 590 | A5 | 596 |

| Color | Kit Number | Viewing Angle | Luminous Flux (mlm) | | Dominant Wavelength | | | |
|-------|--------------------|---------------|---------------------|-------|---------------------|-----------|-----------|-----------|
| | | | Min. | Max. | Color Bin | Min. (nm) | Color Bin | Max. (nm) |
| Amber | CP41A-AFS-CL0P0354 | 70 | 4400 | 11000 | A3 | 587 | A5 | 596 |
| Amber | CP41A-AFS-CL0P0454 | 70 | 4400 | 11000 | A4 | 590 | A5 | 596 |
| Amber | CP41A-AFS-CM0P0354 | 70 | 5500 | 11000 | A3 | 587 | A5 | 596 |

| Color | Kit Number | Viewing Angle | Luminous Flux (mlm) | | Dominant Wavelength | | | |
|-------|--------------------|---------------|---------------------|-------|---------------------|-----------|-----------|-----------|
| | | | Min. | Max. | Color Bin | Min. (nm) | Color Bin | Max. (nm) |
| Amber | CP41A-AHS-CL0P0354 | 100 | 4400 | 11000 | A3 | 587 | A5 | 596 |
| Amber | CP41A-AHS-CM0P0354 | 100 | 5500 | 11000 | A3 | 587 | A5 | 596 |
| Amber | CP41A-AHS-CM0P0454 | 100 | 5500 | 11000 | A4 | 590 | A5 | 596 |

Notes:

- The above kit numbers represent order codes which include multiple flux-bin and color-bin codes. Only one flux-bin code and one color-bin code will be shipped on each reel. And single flux-bin code, single color bin-codes will not be orderable.
- Please refer to the "Cree LED Lamp Reliability Test Standards" document for reliability test conditions.
- Please refer to the "Cree LED Lamp Soldering & Handling" document for information about how to use this LED product safely.

GRAPHS

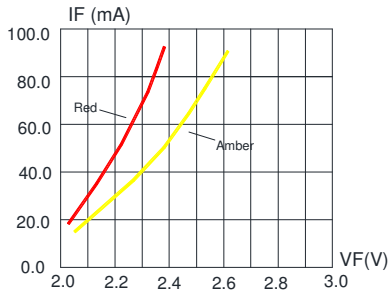


FIG.1 FORWARD CURRENT VS. FORWARD VOLTAGE.

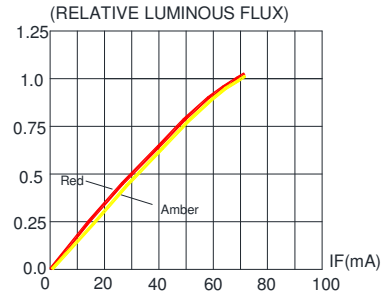


FIG.2 RELATIVE LUMINOUS FLUX VS. FORWARD CURRENT

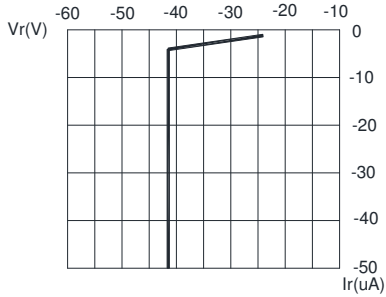


FIG.3 Red & Amber REVERSE CURRENT VS. REVERSE VOLTAGE.

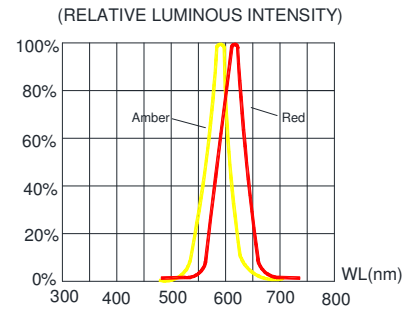


FIG.4 RELATIVE LUMINOUS INTENSITY VS. WAVELENGTH.

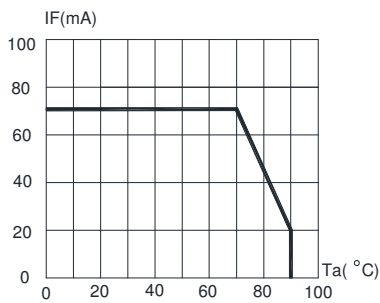


FIG.5 Red & Amber MAXIMUM FORWARD DC CURRENT VS AMBIENT TEMPERATURE (Tjmax=110°C)

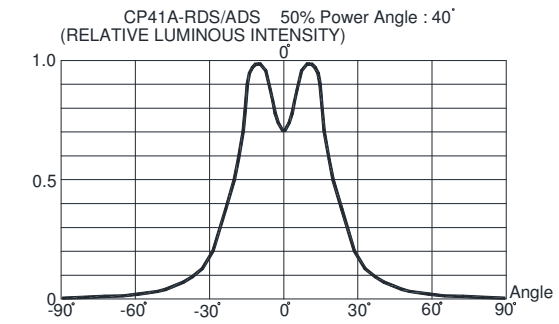
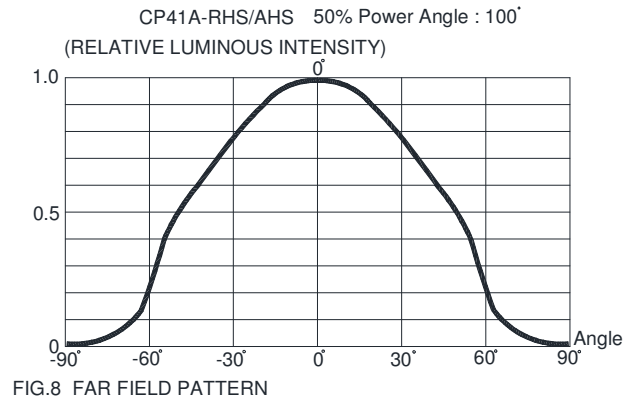
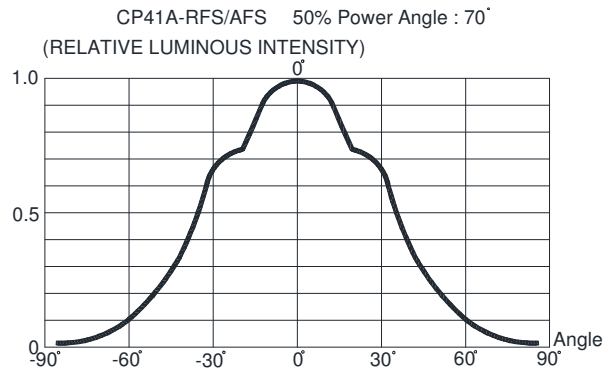


FIG.6 FAR FIELD PATTERN

The above data are collected from statistical figures that do not necessarily correspond to the actual parameters of each single LED. Hence, these data will be changed without further notice.



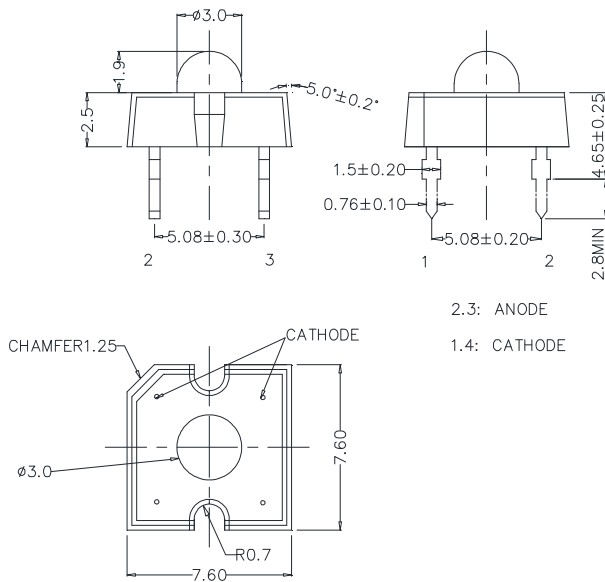
MECHANICAL DIMENSIONS

All dimensions are in mm. Tolerance is ± 0.25 mm unless otherwise noted.

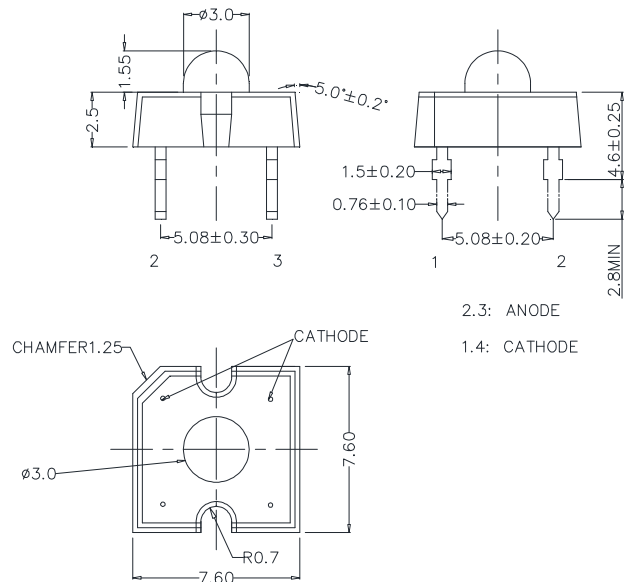
An epoxy meniscus may extend about 1.5 mm down the leads.

Burr around bottom of epoxy may be 0.5 mm max.

CP41A-RDS/ADS:



CP41A-RFS/AFS:



NOTES

RoHS Compliance

The levels of environmentally sensitive, persistent biologically toxic (PBT), persistent organic pollutants (POP), or otherwise restricted materials in this product are below the maximum concentration values (also referred to as the threshold limits) permitted for such substances, or are used in an exempted application, in accordance with EU Directive 2002/95/EC on the restriction of the use of certain hazardous substances in electrical and electronic equipment (RoHS), as amended through April 21, 2006.

Vision Advisory Claim

Users should be cautioned not to stare at the light of this LED product. The bright light can damage the eye.

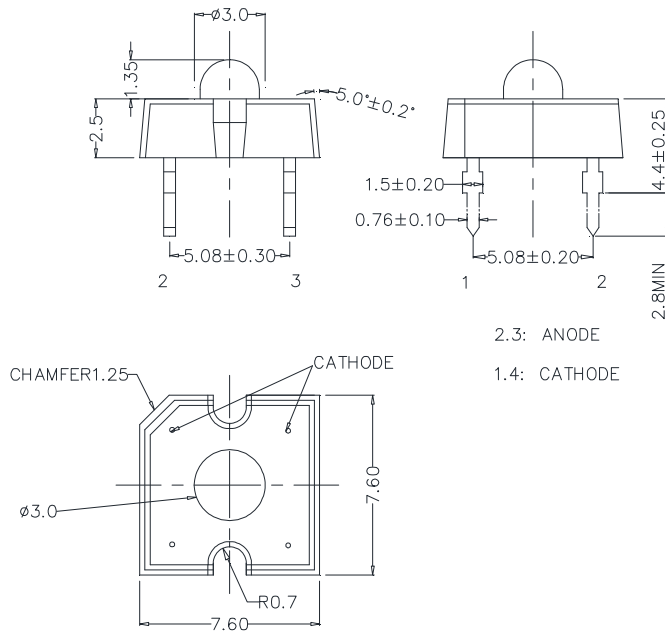
MECHANICAL DIMENSIONS

All dimensions are in mm. Tolerance is ± 0.25 mm unless otherwise noted.

An epoxy meniscus may extend about 1.5 mm down the leads.

Burr around bottom of epoxy may be 0.5 mm max.

CP41A-RHS/AHS:



NOTES

RoHS Compliance

The levels of environmentally sensitive, persistent biologically toxic (PBT), persistent organic pollutants (POP), or otherwise restricted materials in this product are below the maximum concentration values (also referred to as the threshold limits) permitted for such substances, or are used in an exempted application, in accordance with EU Directive 2002/95/EC on the restriction of the use of certain hazardous substances in electrical and electronic equipment (RoHS), as amended through April 21, 2006.

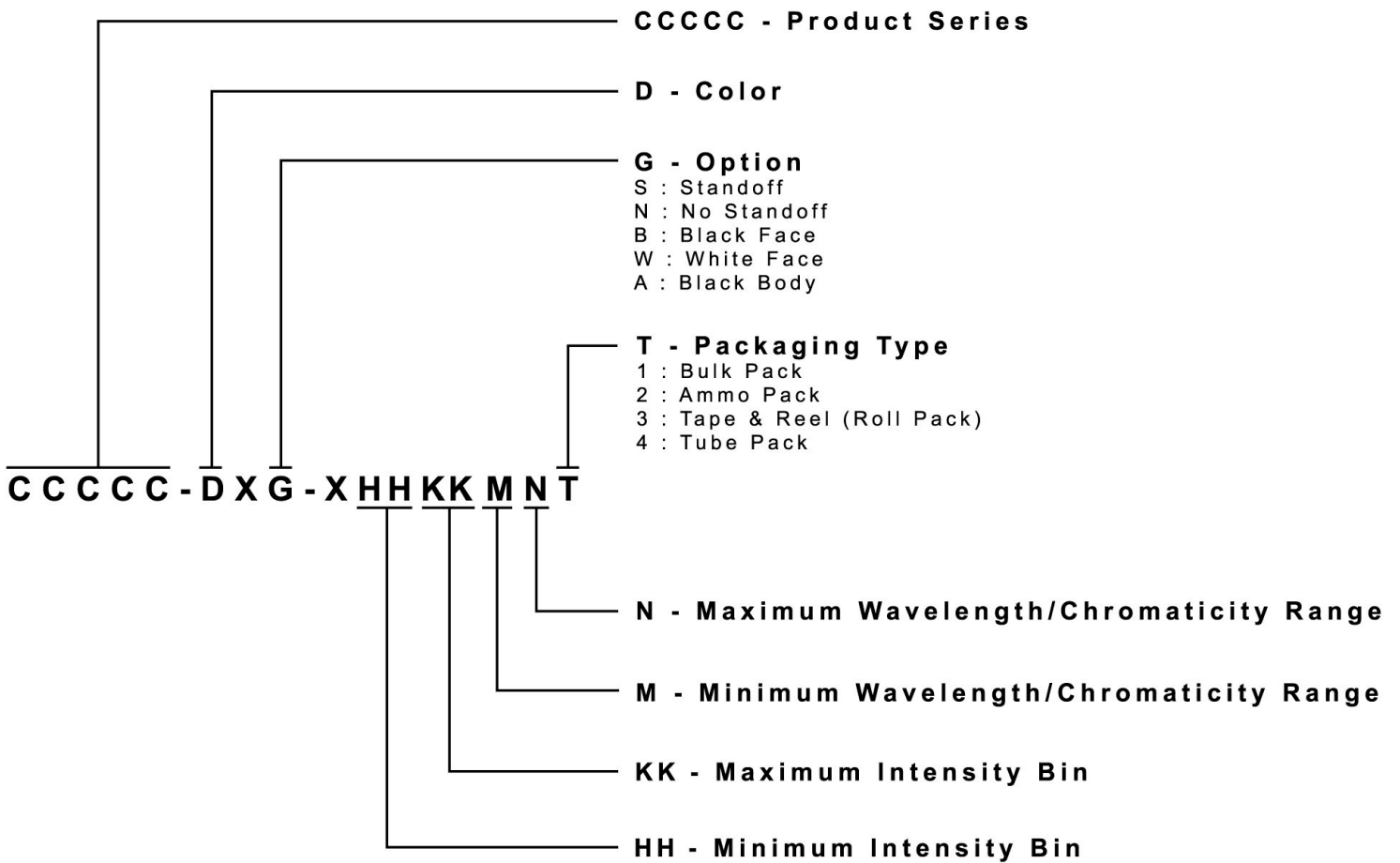
Vision Advisory Claim

Users should be cautioned not to stare at the light of this LED product. The bright light can damage the eye.

KIT NUMBER SYSTEM

All dimensions in mm. Cree LED lamps are tested and sorted into performance bins. A bin is specified by ranges of color, forward voltage, and brightness. Sorted LEDs are packaged for shipping in various convenient options. Please refer to the "Cree LED Lamp Packaging Standard" document for more information about shipping and packaging options.

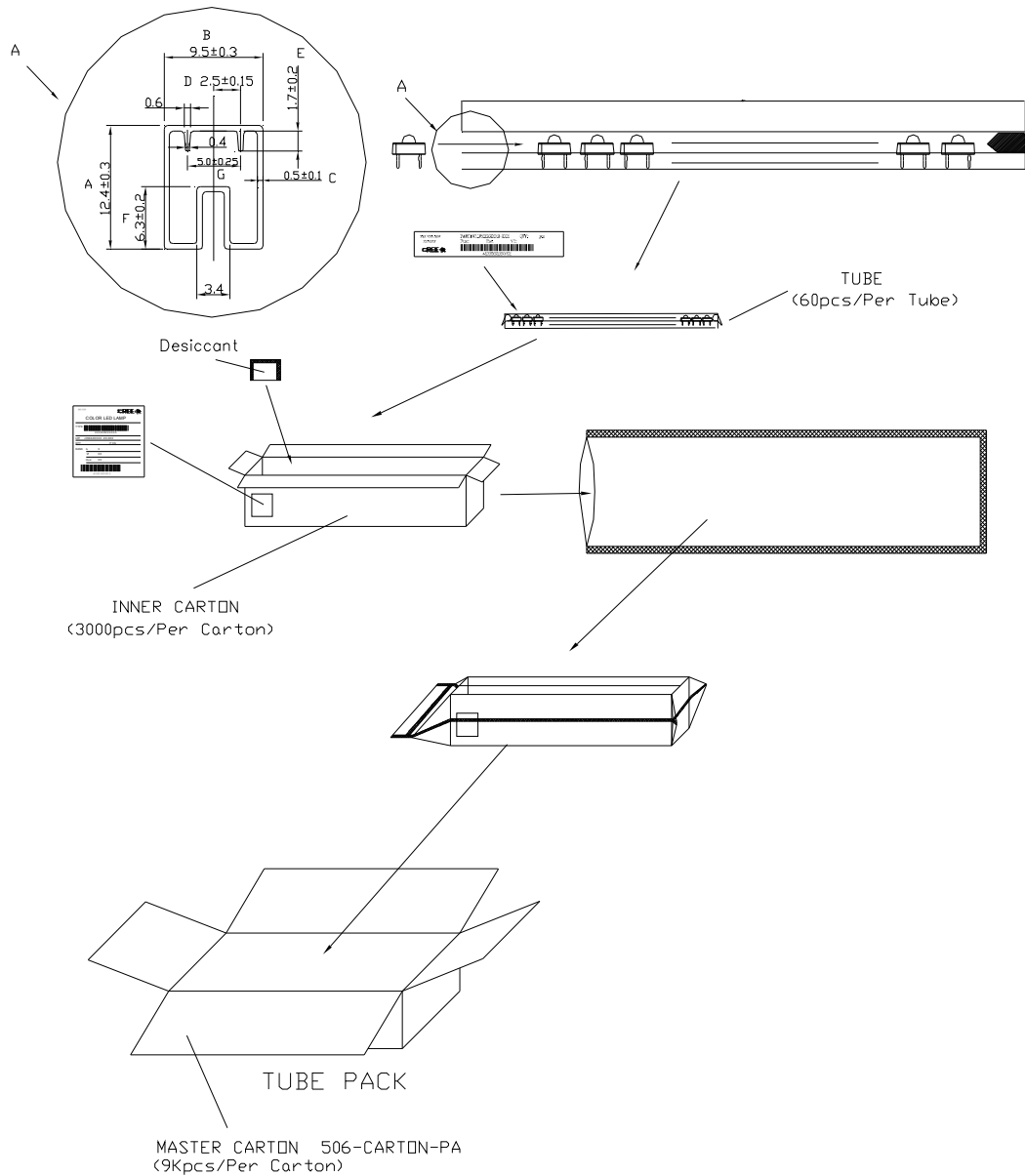
Cree LEDs are sold by order codes in combinations of bins called kits. Order codes are configured in the following manner:



PACKAGING

Features:

- The LEDs are packed in cardboard boxes after packaging in normal or anti-electrostatic bags.
- Cardboard boxes will be used to protect the LEDs from mechanical shock during transportation.
- The boxes are not water resistant, and they must be kept away from water and moisture.
- The Tube Pack type of packaging.
- Max 60 pcs per tube.



Компания «Океан Электроники» предлагает заключение долгосрочных отношений при поставках импортных электронных компонентов на взаимовыгодных условиях!

Наши преимущества:

- Поставка оригинальных импортных электронных компонентов напрямую с производств Америки, Европы и Азии, а так же с крупнейших складов мира;
- Широкая линейка поставок активных и пассивных импортных электронных компонентов (более 30 млн. наименований);
- Поставка сложных, дефицитных, либо снятых с производства позиций;
- Оперативные сроки поставки под заказ (от 5 рабочих дней);
- Экспресс доставка в любую точку России;
- Помощь Конструкторского Отдела и консультации квалифицированных инженеров;
- Техническая поддержка проекта, помощь в подборе аналогов, поставка прототипов;
- Поставка электронных компонентов под контролем ВП;
- Система менеджмента качества сертифицирована по Международному стандарту ISO 9001;
- При необходимости вся продукция военного и аэрокосмического назначения проходит испытания и сертификацию в лаборатории (по согласованию с заказчиком);
- Поставка специализированных компонентов военного и аэрокосмического уровня качества (Xilinx, Altera, Analog Devices, Intersil, Interpoint, Microsemi, Actel, Aeroflex, Peregrine, VPT, Syfer, Eurofarad, Texas Instruments, MS Kennedy, Miteq, Cobham, E2V, MA-COM, Hittite, Mini-Circuits, General Dynamics и др.);

Компания «Океан Электроники» является официальным дистрибьютором и эксклюзивным представителем в России одного из крупнейших производителей разъемов военного и аэрокосмического назначения «JONHON», а так же официальным дистрибьютором и эксклюзивным представителем в России производителя высокотехнологичных и надежных решений для передачи СВЧ сигналов «FORSTAR».



JONHON

«JONHON» (основан в 1970 г.)

Разъемы специального, военного и аэрокосмического назначения:

(Применяются в военной, авиационной, аэрокосмической, морской, железнодорожной, горно- и нефтедобывающей отраслях промышленности)

«FORSTAR» (основан в 1998 г.)

ВЧ соединители, коаксиальные кабели, кабельные сборки и микроволновые компоненты:

(Применяются в телекоммуникациях гражданского и специального назначения, в средствах связи, РЛС, а так же военной, авиационной и аэрокосмической отраслях промышленности).



Телефон: 8 (812) 309-75-97 (многоканальный)

Факс: 8 (812) 320-03-32

Электронная почта: ocean@oceanchips.ru

Web: <http://oceanchips.ru/>

Адрес: 198099, г. Санкт-Петербург, ул. Калинина, д. 2, корп. 4, лит. А