

# MAX31091

## Automotive Temperature Range Spread-Spectrum EconOscillator™

### General Description

The MAX31091 is a low-cost clock generator that is factory trimmed to output frequencies from 200kHz to 66.6MHz with a nominal accuracy of  $\pm 0.25\%$ . The device can also produce a center-spread-spectrum output with pin-selectable dither magnitude and rate. Assembled in an 8-pin  $\mu\text{MAX}^{\text{®}}$  package, the MAX31091 is designed to operate with a 3.0V to 3.6V power supply over the automotive temperature range ( $-40^{\circ}\text{C}$  to  $+125^{\circ}\text{C}$ ).

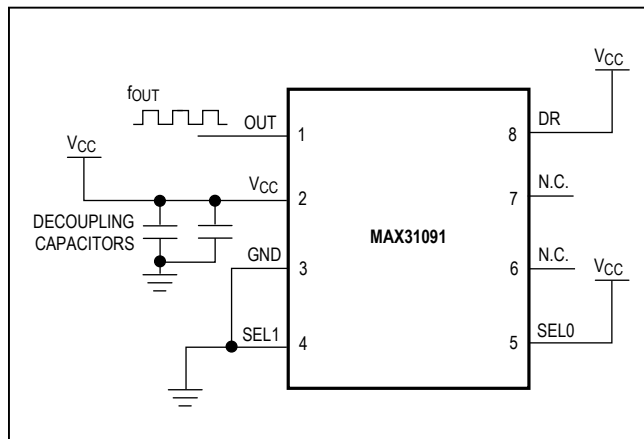
### Applications

- Automotive Infotainment
- Navigation
- Advanced Driver Assistance System (ADAS)
- Engine Control Unit (ECU) Instrumentation

### Features

- Spread-Spectrum Clock Output from 200kHz to 66.6MHz
- $-40^{\circ}\text{C}$  to  $+125^{\circ}\text{C}$  Operating Temperature Range
- $\pm 1.75\%$  Accuracy Across Temperature
- Factory Trimmed
- Center-Dithered Spread-Spectrum Output
- Pin-Selectable Center-Dither Magnitude of 0%,  $\pm 1\%$ ,  $\pm 2\%$ , or  $\pm 4\%$
- Pin-Selectable Dither Rate
- 3.0V to 3.6V Supply Operation
- Lead(Pb)-Free, 8-Pin  $\mu\text{MAX}$  Package

### Typical Operating Circuit



### Custom Frequency Options

Custom frequency options are available. See the [Ordering Information](#) or contact the factory by email at [custom.oscillators@maximintegrated.com](mailto:custom.oscillators@maximintegrated.com) for more information.

[Ordering Information](#) appears at end of data sheet.

For related parts and recommended products to use with this part, refer to: [www.maximintegrated.com/MAX31091.related](http://www.maximintegrated.com/MAX31091.related)

EconOscillator is a trademark and  $\mu\text{MAX}$  is a registered trademark of Maxim Integrated Products, Inc.



**Absolute Maximum Ratings**

Voltage Range on V<sub>CC</sub> Relative to Ground .....-0.5V to +4.0V  
 Voltage Range on DR, SEL0, SEL1  
 Relative to Ground.....-0.5V to (V<sub>CC</sub> + 0.5V)\*  
 Continuous Power Dissipation (T<sub>A</sub> = +70°C)  
 μMAX (derate 4.5mW/°C above +70°C) .....362mW

Operating Temperature Range..... -40°C to +125°C  
 Storage Temperature Range..... -55°C to +125°C  
 Lead Temperature (soldering, 10s) ..... +300°C  
 Soldering Temperature (reflow) ..... +260°C

\*This voltage must not exceed 4.0V.

Stresses beyond those listed under “Absolute Maximum Ratings” may cause permanent damage to the device. These are stress ratings only, and functional operation of the device at these or any other conditions beyond those indicated in the operational sections of the specifications is not implied. Exposure to absolute maximum rating conditions for extended periods may affect device reliability.

**Package Thermal Characteristics (Note 1)**

μMAX  
 Junction-to-Ambient Thermal Resistance (θ<sub>JA</sub>) .....206°C/W

**Note 1:** Package thermal resistances were obtained using the method described in JEDEC specification JESD51-7, using a four-layer board. For detailed information on package thermal considerations, refer to [www.maximintegrated.com/thermal-tutorial](http://www.maximintegrated.com/thermal-tutorial).

**Recommended Operating Conditions**

(T<sub>A</sub> = -40°C to +125°C, unless otherwise noted.)

PARAMETER	SYMBOL	CONDITIONS	MIN	TYP	MAX	UNITS
Supply Voltage	V <sub>CC</sub>	(Note 1)	3.0	3.3	3.6	V
High-Level Input Voltage (SEL0, SEL1, DR)	V <sub>IH</sub>		0.7 x V <sub>CC</sub>		V <sub>CC</sub> + 0.3	V
Low-Level Input Voltage (SEL0, SEL1, DR)	V <sub>IL</sub>		-0.3		0.3 x V <sub>CC</sub>	V

**DC Electrical Characteristics**

(V<sub>CC</sub> = +3.0V to +3.6V, T<sub>A</sub> = -40°C to +125°C, unless otherwise noted.)

PARAMETER	SYMBOL	CONDITIONS	MIN	TYP	MAX	UNITS
High-Level Output Voltage (OUT)	V <sub>OH</sub>	I <sub>OH</sub> = -4mA, V <sub>CC</sub> = 3.0V	2.4			V
Low-Level Output Voltage (OUT)	V <sub>OL</sub>	I <sub>OL</sub> = 4mA			0.4	V
High-Level Input Current (SEL0, SEL1, DR)	I <sub>IH</sub>	V <sub>CC</sub> = 3.6V			1	μA
Low-Level Input Current (SEL0, SEL1, DR)	I <sub>IL</sub>	V <sub>IL</sub> = 0V	-1			μA
Supply Current (Active)	I <sub>CC</sub>	(Note 2)			16	mA

AC Electrical Characteristics

(V<sub>CC</sub> = +3.0V to +3.6V, T<sub>A</sub> = -40°C to +125°C, unless otherwise noted.)

PARAMETER	SYMBOL	CONDITIONS	MIN	TYP	MAX	UNITS
Output Frequency Range	f <sub>OUT</sub>	(Note 3)	0.200		66.6	MHz
Output Center Frequency Tolerance	Δf <sub>OUT</sub>	V <sub>CC</sub> = 3.3V, T <sub>A</sub> = +25°C	-0.25	0	+0.25	%
		Across T <sub>A</sub> and V <sub>CC</sub> = 3.3V	-1.75		+1.75	
		0°C to +70°C and V <sub>CC</sub> = 3.3V	-1.2		+1.2	
Power-Up Time	t <sub>PU</sub>	(Note 4)			0.1	ms
Load Capacitance	C <sub>L</sub>			15	50	pF
Duty Cycle		< 33.3MHz (Note 3)		50		%
		≥ 33.3MHz (Note 3)	40		60	
Jitter (RMS), 50MHz				0.3		%

**Note 1:** All voltages are referenced to ground. Currents entering the IC are specified positive and currents exiting the IC are negative.

**Note 2:** Supply current measured with C<sub>L</sub> = 15pF, V<sub>CC</sub> = 3.6V, T<sub>A</sub> = +25°C, f<sub>OUT</sub> = 66.6MHz, no dither.

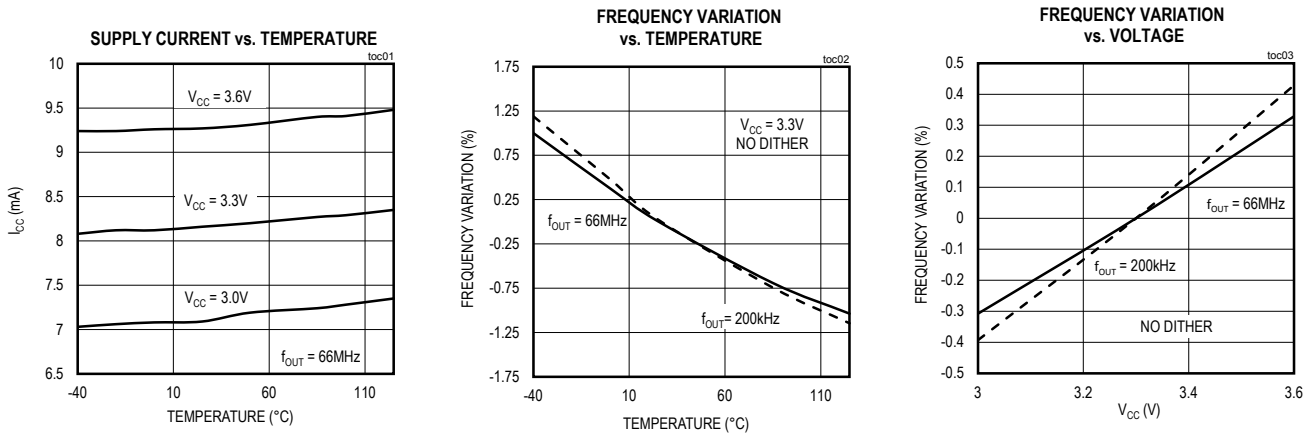
**Note 3:** No dither.

**Note 4:** Guaranteed by design.

**Note 5:** For aging characteristics, contact factory.

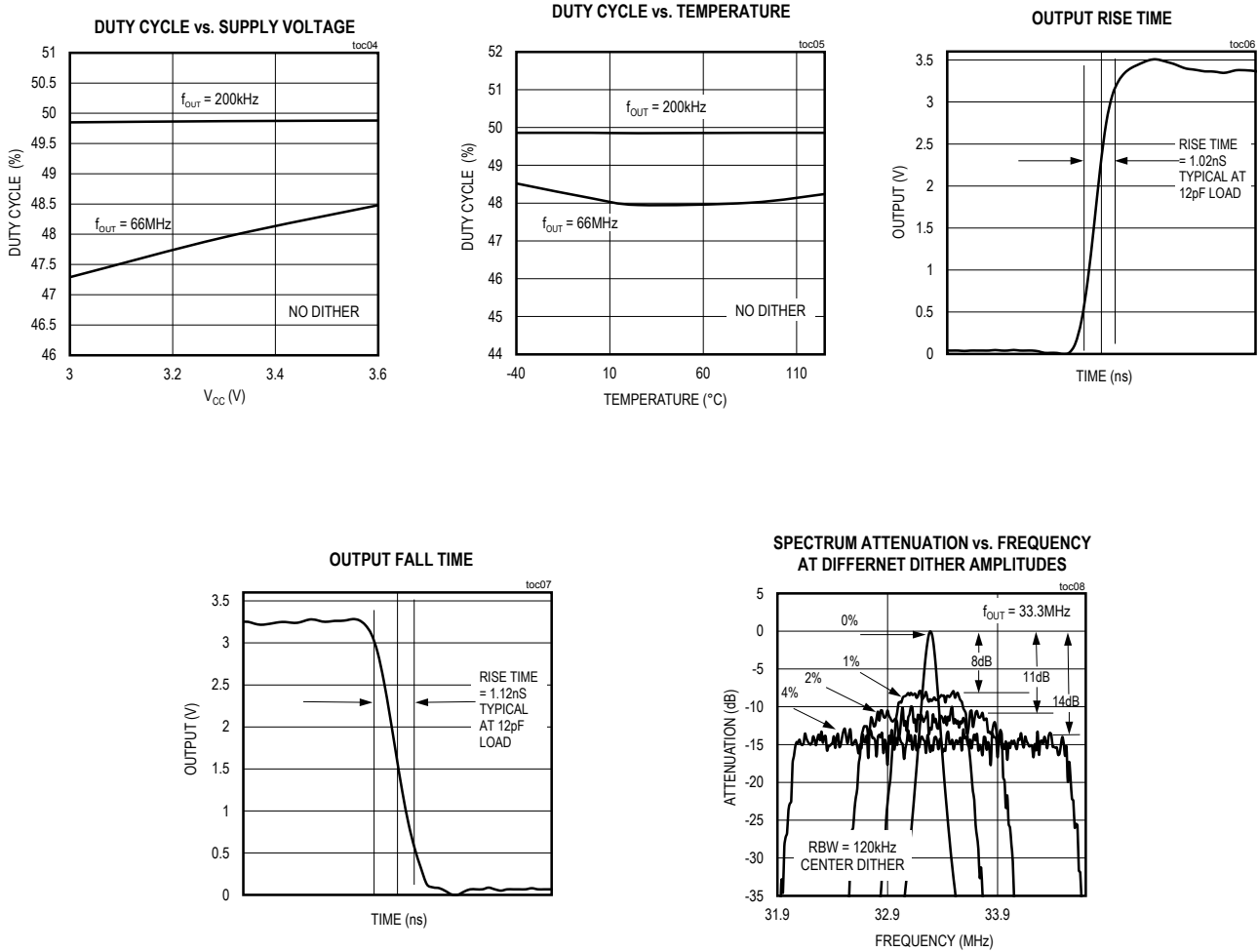
Typical Operating Characteristics

(V<sub>CC</sub> = 3.3V, T<sub>A</sub> = +25°C, unless otherwise noted.)

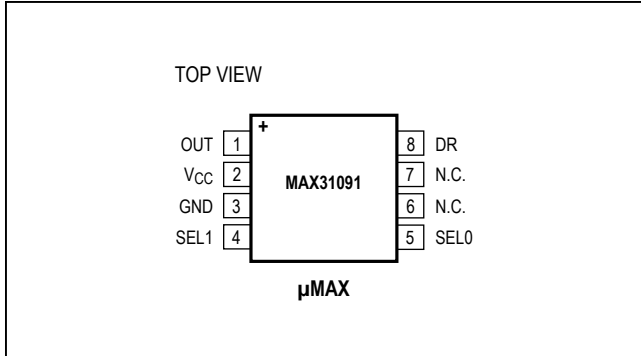


Typical Operating Characteristics (continued)

( $V_{CC} = 3.3V$ ,  $T_A = +25^{\circ}C$ , unless otherwise noted.)



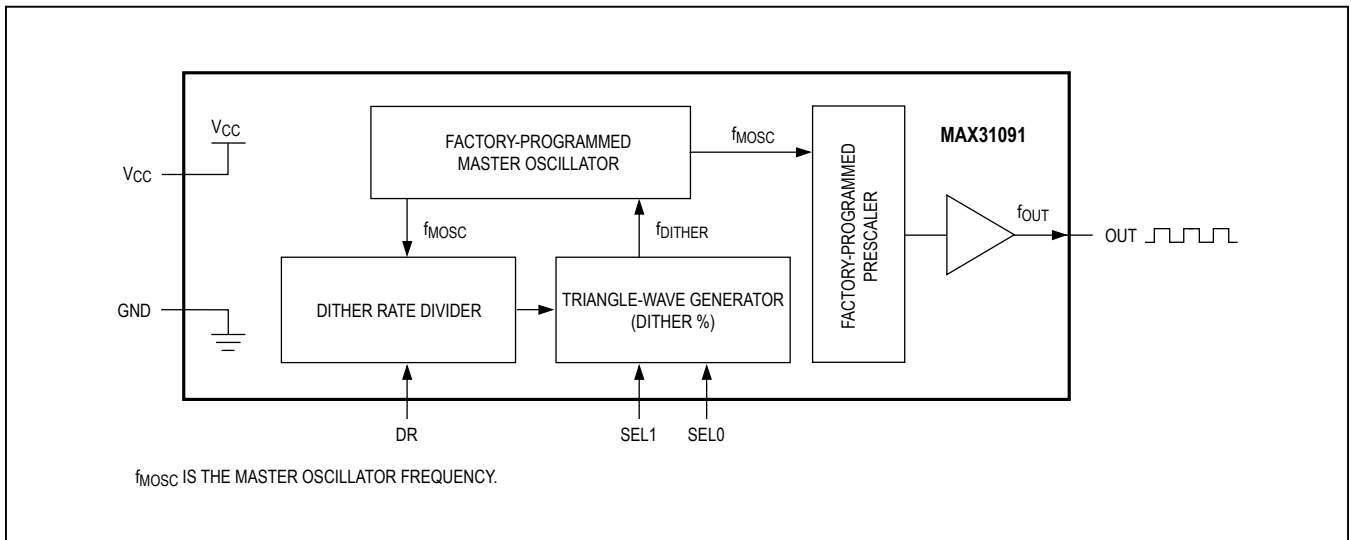
Pin Configuration



Pin Description

PIN	NAME	FUNCTION
1	OUT	Spread-Spectrum Clock Output
2	V <sub>CC</sub>	Supply Voltage
3	GND	Ground
4	SEL1	Spread-Spectrum Dither Magnitude Select Inputs. Selects dither magnitude (see Table 1).
5	SEL0	
6, 7	N.C.	No Connection
8	DR	Spread-Spectrum Dither Rate Selector. Selects dither rate (see Table 2).

Block Diagram



**Detailed Description**

The MAX31091 clock generator is capable of output frequencies from 200kHz to 66.6MHz over the full automotive temperature range (-40°C to +125°C). The device can also produce a spread-spectrum (dithered) square-wave output using four pin-selectable dither percentages. The device also features two selectable dither rates.

The MAX31091 is shipped from the factory-programmed to a customer-specified frequency.

**Spread Spectrum**

The MAX31091 can reduce radiated emission peaks. The dither percentage is controlled by the state of the SEL0 and SEL1 pins. The output frequency can be dithered at 0%, ±1%, ±2%, and ±4%, centered around the programmed frequency.

The two select pins SEL0 and SEL1 provide a means of selecting the dither magnitudes as follows:

A triangle-wave generator injects a control signal into the master oscillator to dither its output. The dither rate is a function of the output frequency,  $f_{OUT}$ , as well as the setting of the DR pin (see the equation below). Figure 1 shows a plot of the output frequency vs. time.

$$DITHER\ RATE = \frac{f_{OUT}}{2^n}$$

where n is defined in Table 2 as a function of output frequency. For example, for an output frequency of 27.0MHz, the dither rate would be 13.2kHz for DR = 1 and 6.6kHz for DR = 0.

**Power-Up**

Upon the application of power, the MAX31091 output is held in the low state until  $t_{PU}$  has elapsed. This removes any possibility of erroneous output transitions during initial power-up.

**Table 1. Dither Magnitude**

SEL1 LOGIC LEVEL	SEL0 LOGIC LEVEL	DITHER MAGNITUDE (%)
		MAX31091AUA
0	0	No dither
0	1	Q1
1	0	Q2
1	1	Q4

**Table 2. Value of n w.r.t. Output Frequency**

OUTPUT FREQUENCY $f_{OUT}$ (MHz)		n	
$f_{OUT}$ (min)	$f_{OUT}$ (max)	DR = LOGIC LEVEL 1	DR = LOGIC LEVEL 0
0.200	0.260	4	5
0.261	0.521	5	6
0.522	1.042	6	7
1.043	2.083	7	8
2.084	4.167	8	9
4.168	8.333	9	10
8.334	16.667	10	11
16.668	33.333	11	12
33.334	66.667	12	13

**MAX31091 Frequency Spreading Profile as a Function of Dither %**

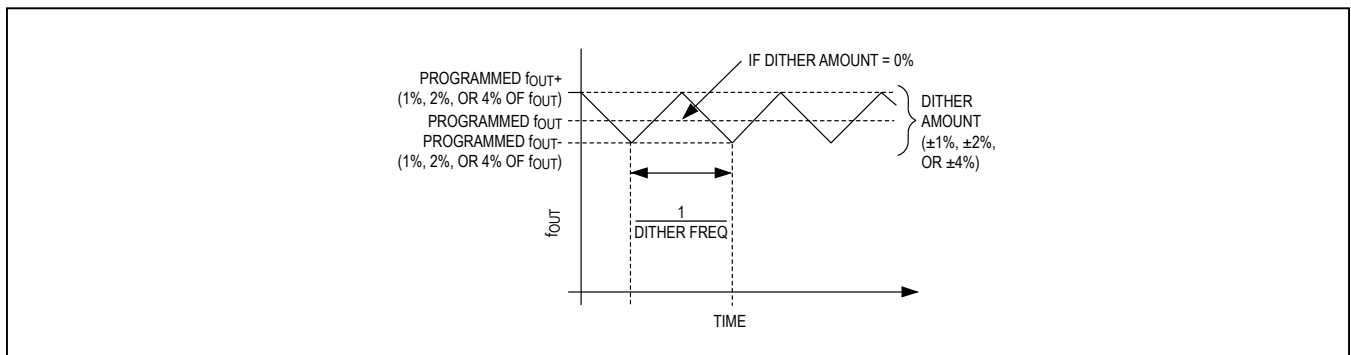


Figure 1. Center Dithered

## Applications Information

### Power-Supply Decoupling

To achieve best results, it is highly recommended that decoupling capacitors are used on the IC power-supply pins. Typical values of decoupling capacitors are 0.01 $\mu$ F and 0.1 $\mu$ F. Use a high-quality, ceramic, surface-mount capacitor, and mount it as close as possible to the  $V_{CC}$  and GND pins of the IC to minimize lead inductance.

## Chip Information

SUBSTRATE CONNECTED TO GROUND

## Ordering Information

PART	TEMP RANGE	SPREAD SPECTRUM	OUTPUT FREQUENCY (MHz)	PIN-PACKAGE
MAX31091AUA/V+033	-40°C to +125°C	Center	33.3	8 $\mu$ MAX
MAX31091AUA/V+T033	-40°C to +125°C	Center	33.3	8 $\mu$ MAX
MAX31091AUA/V+066	-40°C to +125°C	Center	66.6	8 $\mu$ MAX
MAX31091AUA/V+T066	-40°C to +125°C	Center	66.6	8 $\mu$ MAX
MAX31091AUA/V+172	-40°C to +125°C	Center	1.7	8 $\mu$ MAX
MAX31091AUA/V+T172	-40°C to +125°C	Center	1.7	8 $\mu$ MAX
MAX31091AUA/V+200	-40°C to +125°C	Center	0.20	8 $\mu$ MAX
MAX31091AUA/V+T200	-40°C to +125°C	Center	0.20	8 $\mu$ MAX
MAX31091AUA/V+330	-40°C to +125°C	Center	33.0	8 $\mu$ MAX
MAX31091AUA/V+T330	-40°C to +125°C	Center	33.0	8 $\mu$ MAX

*N* denotes an automotive qualified part.

+Denotes a lead(Pb)-free/RoHS-compliant package.

T = Tape and reel.

## Package Information

For the latest package outline information and land patterns (footprints), go to [www.maximintegrated.com/packages](http://www.maximintegrated.com/packages). Note that a "+", "#", or "-" in the package code indicates RoHS status only. Package drawings may show a different suffix character, but the drawing pertains to the package regardless of RoHS status.

PACKAGE TYPE	PACKAGE CODE	OUTLINE NO.	LAND PATTERN NO.
8 $\mu$ MAX	U8+4	<a href="#">21-0036</a>	<a href="#">90-0092</a>

## Revision History

REVISION NUMBER	REVISION DATE	DESCRIPTION	PAGES CHANGED
0	3/14	Initial release	—

For pricing, delivery, and ordering information, please contact Maxim Direct at 1-888-629-4642, or visit Maxim Integrated's website at [www.maximintegrated.com](http://www.maximintegrated.com).

*Maxim Integrated cannot assume responsibility for use of any circuitry other than circuitry entirely embodied in a Maxim Integrated product. No circuit patent licenses are implied. Maxim Integrated reserves the right to change the circuitry and specifications without notice at any time. The parametric values (min and max limits) shown in the Electrical Characteristics table are guaranteed. Other parametric values quoted in this data sheet are provided for guidance.*



Компания «Океан Электроники» предлагает заключение долгосрочных отношений при поставках импортных электронных компонентов на взаимовыгодных условиях!

Наши преимущества:

- Поставка оригинальных импортных электронных компонентов напрямую с производств Америки, Европы и Азии, а так же с крупнейших складов мира;
- Широкая линейка поставок активных и пассивных импортных электронных компонентов (более 30 млн. наименований);
- Поставка сложных, дефицитных, либо снятых с производства позиций;
- Оперативные сроки поставки под заказ (от 5 рабочих дней);
- Экспресс доставка в любую точку России;
- Помощь Конструкторского Отдела и консультации квалифицированных инженеров;
- Техническая поддержка проекта, помощь в подборе аналогов, поставка прототипов;
- Поставка электронных компонентов под контролем ВП;
- Система менеджмента качества сертифицирована по Международному стандарту ISO 9001;
- При необходимости вся продукция военного и аэрокосмического назначения проходит испытания и сертификацию в лаборатории (по согласованию с заказчиком);
- Поставка специализированных компонентов военного и аэрокосмического уровня качества (Xilinx, Altera, Analog Devices, Intersil, Interpoint, Microsemi, Actel, Aeroflex, Peregrine, VPT, Syfer, Eurofarad, Texas Instruments, MS Kennedy, Miteq, Cobham, E2V, MA-COM, Hittite, Mini-Circuits, General Dynamics и др.);

Компания «Океан Электроники» является официальным дистрибьютором и эксклюзивным представителем в России одного из крупнейших производителей разъемов военного и аэрокосмического назначения «JONHON», а так же официальным дистрибьютором и эксклюзивным представителем в России производителя высокотехнологичных и надежных решений для передачи СВЧ сигналов «FORSTAR».



## JONHON

«JONHON» (основан в 1970 г.)

Разъемы специального, военного и аэрокосмического назначения:

(Применяются в военной, авиационной, аэрокосмической, морской, железнодорожной, горно- и нефтедобывающей отраслях промышленности)

«FORSTAR» (основан в 1998 г.)

ВЧ соединители, коаксиальные кабели, кабельные сборки и микроволновые компоненты:

(Применяются в телекоммуникациях гражданского и специального назначения, в средствах связи, РЛС, а так же военной, авиационной и аэрокосмической отраслях промышленности).



Телефон: 8 (812) 309-75-97 (многоканальный)

Факс: 8 (812) 320-03-32

Электронная почта: [ocean@oceanchips.ru](mailto:ocean@oceanchips.ru)

Web: <http://oceanchips.ru/>

Адрес: 198099, г. Санкт-Петербург, ул. Калинина, д. 2, корп. 4, лит. А