

# AR6000

## Alternator Regulator with LIN

Rev. 1.0 — 20 April 2016

Data sheet: Advance information  
COMPANY PUBLIC

## 1 General description

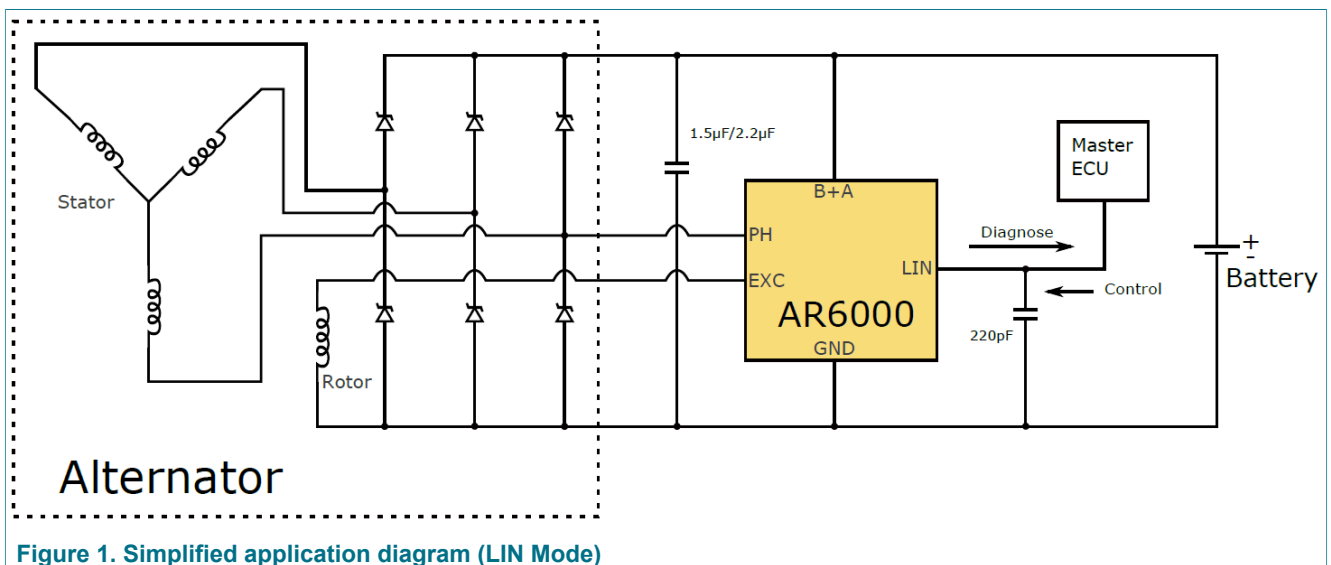
The AR6000 is an integrated circuit intended to regulate the output voltage of an automotive alternator.

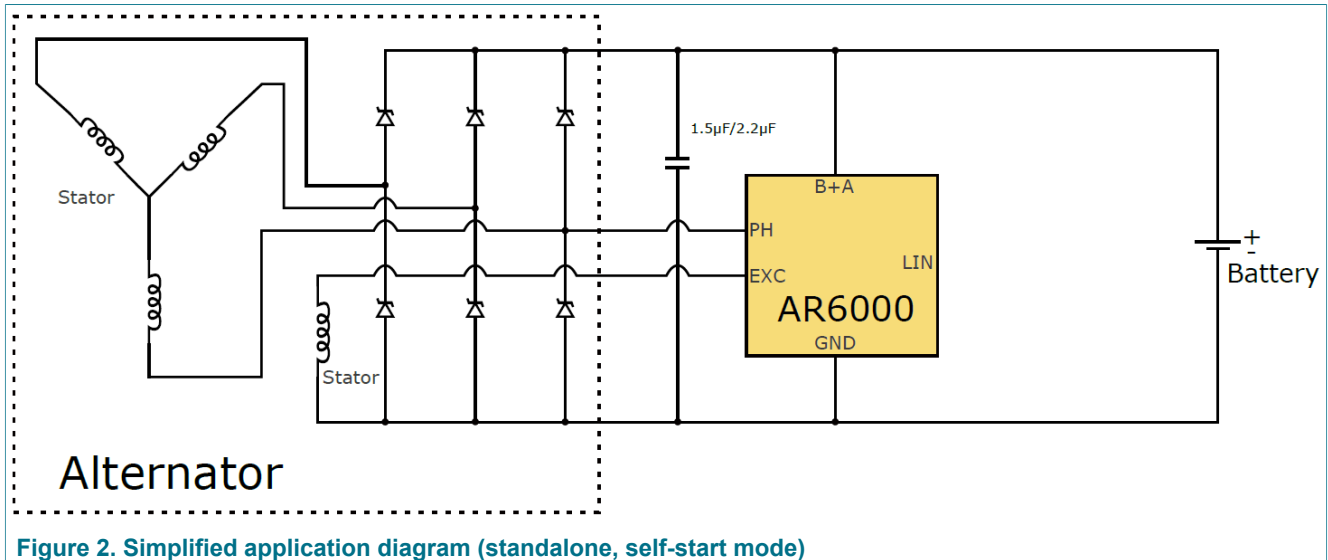
It supplies a current via a high-side MOSFET to the excitation coil of the alternator and provides an internal freewheeling diode. It keeps the battery at its nominal charge and delivers current to electrical devices within the vehicle.

The IC provides a load response control mechanism (LRC), and has an interface for the industry standard LIN protocol (v 1.3 or 2.1) to allow an ECU to control the regulated voltage and the LRC rate among other parameters. The ECU also can read back information about the status of the regulator and the alternator via LIN.

It can be programmed for most functions using OTP (Fuses) and fits a large number of alternators and applications.

## 2 Simplified application diagram





### 3 Features and benefits

- High-side field driver
- Internal freewheeling diode
- Up to 12.0 A rotor current (excitation coil)
- Load response control (LRC) and Return LRC
- Current limitation and overcurrent protection
- Thermal protection
- Thermal compensation
- LIN 2.1 physical layer
- Set point voltage selectable from 10.6 V to 16 V
- Accurate rotor current measurement, die temperature, alternator speed and battery voltage reported by LIN

### 4 Applications

- Automotive alternators

### 5 Orderable parts

Table 1. Orderable part variations

Part number	Temperature (T <sub>A</sub> )	Package
MC33AR6000AGWS	-40 °C to 150 °C	Die
MC33AR6000AxWS <sup>[1]</sup>	-40 °C to 150 °C	Die

[1] This IC is One Time Programmable (OTP), during final test. [Table 58](#) describes the programmable functions that are selectable by customer.

## 6 Internal block diagram

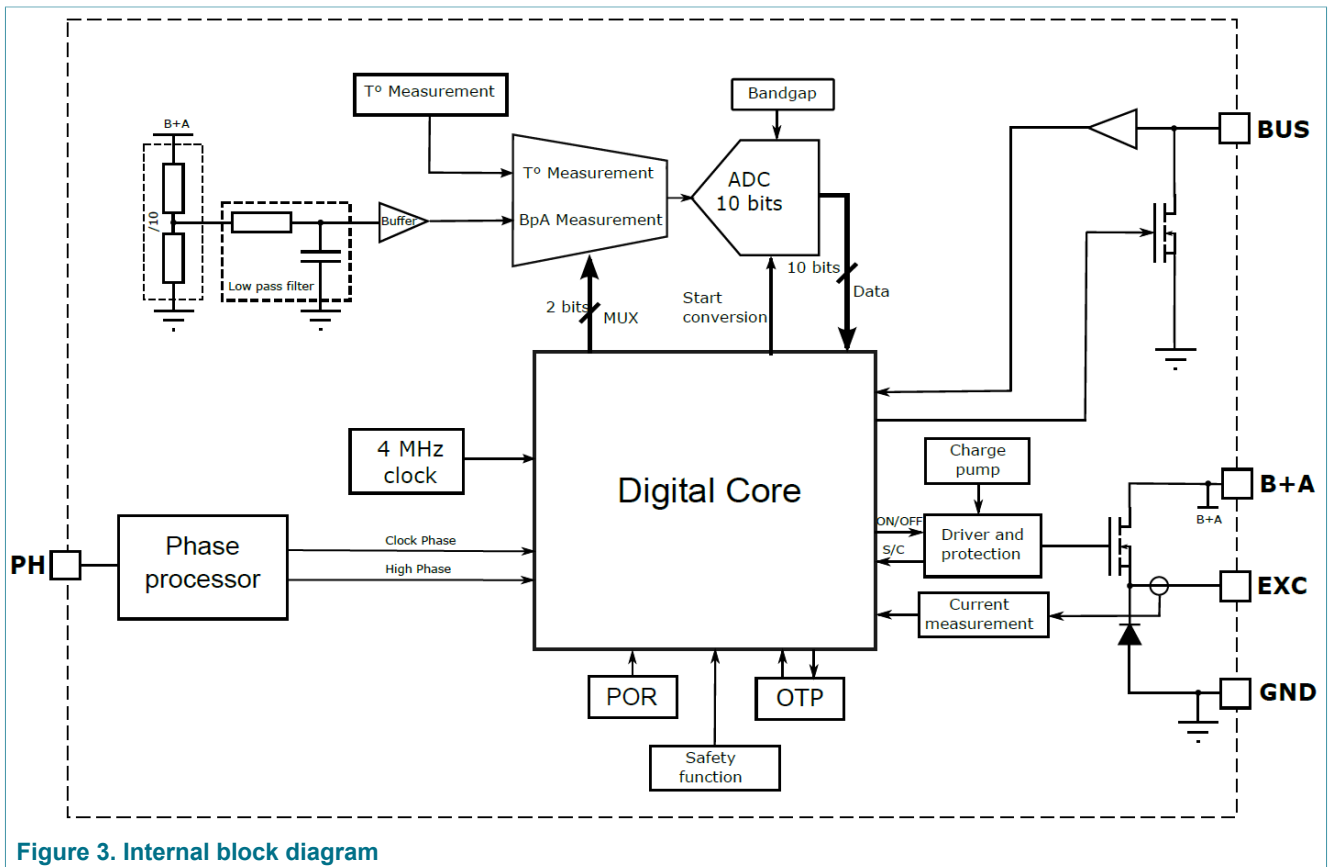


Figure 3. Internal block diagram

## 7 Pinning information

### 7.1 Pinning

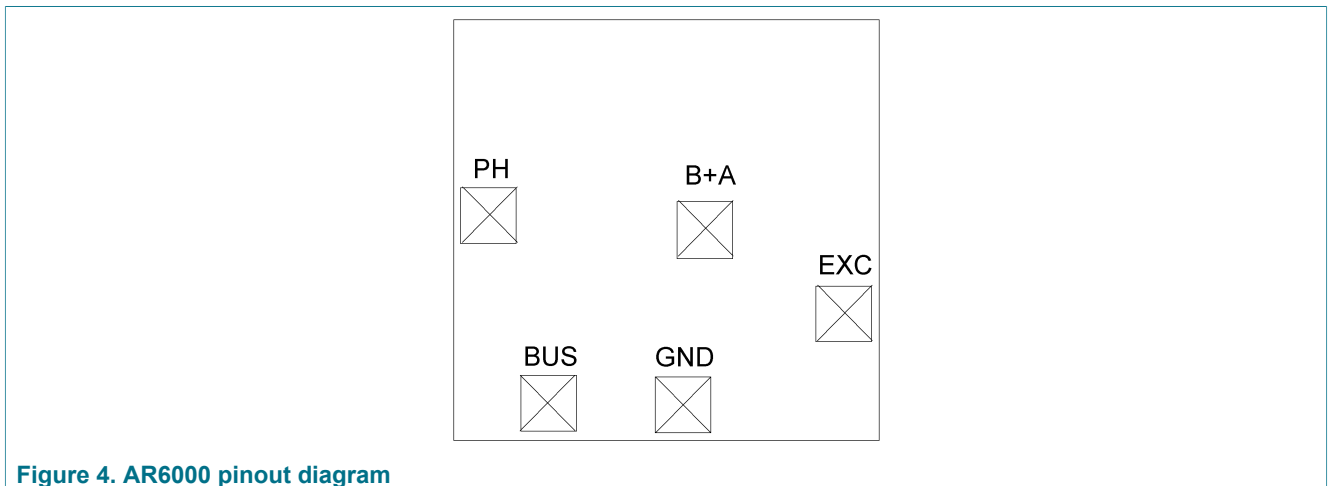


Figure 4. AR6000 pinout diagram

### 7.2 Pin definitions

A functional description of each pin can be found in [Section 9.2 "Functional pin description"](#).

Table 2. Pin description

Pin number	Pin name	Pin function	Formal name	Definition
1	EXC	Power	Excitation	This pin is connected to the rotor coil of the alternator
2	B+A	Output	Supply voltage	This pin is connected to the battery of the vehicle
3	GND	Input	Ground	Ground pin
4	BUS	Input/Output	LIN Bus	LIN connected to master
5	PH	Input	Phase	Signal from alternator phase

Table 3. Mandatory external components

Data	Description	Min.	Typ.	Max.	Unit
B+A capacitor	—	—	1.5	—	$\mu\text{F}$
LIN capacitor	—	—	220	—	$\text{pF}$

## 8 General product characteristics

### 8.1 Maximum ratings

Table 4. Maximum ratings

All voltages are with respect to ground, unless otherwise noted. Exceeding these ratings may cause a malfunction or permanent damage to the device.

Symbol	Description (Rating)	Min.	Max.	Unit
<b>ELECTRICAL RATINGS</b>				
$V_{B+A \text{ MAX}}$	B+A supply pin DC voltage	—	40	V
$V_{B+A \text{ MIN}}$	Load dump transient voltage (ISO7637-2) DC voltage	—	-0.3	V
$V_{B+A \text{ REV}}$	Maximum reverse B+A voltage (5 seconds)	[1]	-3.2	V
$I_{\text{EXC}}$	Maximum excitation current	[2]	12	A
	Recirculation diode peak current	—	12	A
	Recirculation diode reverse voltage	—	12	V
$V_{\text{PHASE}}$	PHASE input voltage range	-24	+40	V
	BUS pin input range	-2.0	+40	V
$V_{\text{ESD1}}$	ESD voltage	[3]		
$V_{\text{ESD2}}$	Human Body Model - All pins (MIL std 883C)	[4]	$\pm 6000$	V
$V_{\text{ESD3}}$	CDM- AECQ100-011B All Pins	—	$\pm 750$	
$V_{\text{ESD4}}$	Accessible pins (EN61.000-4-2) when mounted on the Alternator (BUS & B+A) by contact discharge	—	$\pm 10000$	
$V_{\text{ESD4}}$	Air discharges when mounted on the Alternator	—	$\pm 15000$	
Level	Standard Transient Pulses ISO 7637-1 and 7637-3			
	Pulse 1	—	-100	V
	Pulse 2a	—	+100	
	Pulse 3a	—	-150	
	Pulse 3b	—	+100	

[1] Not tested. Depends on package and bonding.

[2] Time to withstand this current before thermal shutdown depends on thermal characteristics of the package and ambient temperature.

- [3] Testing is performed in accordance with the Human Body Model ( $C_{ZAP} = 100 \text{ pF}$ ,  $R_{ZAP} = 1500 \text{ }\Omega$ ), Charge Device Model, Robotic ( $C_{ZAP} = 4.0 \text{ pF}$  and  $30 \text{ pF}$ ), or the EN61000-4-2 specification ( $C_{ZAP} = 150 \text{ pF}$ ,  $R_{ZAP} = 330 \text{ }\Omega$ ).
- [4] Product Powered. ESD done on pulley, B+ and metal alternator case ( $C_{ZAP} = 330 \text{ pF}$ ,  $R_{ZAP} = 2.0 \text{ k}\Omega$ )

## 8.2 Thermal characteristics

**Table 5. Thermal ratings**

All voltages are with respect to ground unless otherwise noted. Exceeding these ratings may cause a malfunction or permanent damage to the device.  $T_A = 25 \text{ }^\circ\text{C}$ , unless otherwise stated.

Symbol	Description (Rating)	Min.	Max.	Unit
<b>THERMAL RATINGS</b>				
$T_{\text{STOR}}$	Storage temperature	-45	+150	$^\circ\text{C}$
$T_J$	Operating junction temperature	-40	+150	$^\circ\text{C}$
$T_{J\text{-TSD}}$	Thermal shutdown temperature	170	—	$^\circ\text{C}$
$T_{\text{TSD-HYST}}$	Thermal shutdown hysteresis	—	10	$^\circ\text{C}$

## 8.3 Static electrical characteristics

**Table 6. Static electrical characteristics**

Electrical parameters are tested at die level at  $30 \text{ }^\circ\text{C}$  and  $140 \text{ }^\circ\text{C}$ . Typical values noted reflect the approximate parameter mean at  $T_A = 25 \text{ }^\circ\text{C}$  under nominal conditions, unless otherwise noted. Parametric values guaranteed from  $T_J = -40 \text{ }^\circ\text{C}$  to  $150 \text{ }^\circ\text{C}$ , unless otherwise noted. Operation is guaranteed by design up to  $T_{J\text{-TSD}}$ .

Symbol	Characteristic	Min.	Typ.	Max.	Unit
$V_{B+A}$	Operating voltage, $V_{B+A}$ <sup>[1]</sup>	5.0	—	16.5	V
$V_{\text{BUS}}$	Bus operating voltage (LIN)	8.0	—	18	V
$I_{\text{SB}25}$	Standby current at $150 \text{ }^\circ\text{C}$ , at $V_{B+A} = 12.8 \text{ V}$ (Phase at 0 V, $V_{\text{LIN}} = V_{B+A}$ )	—	60	75	$\mu\text{A}$
$I_{\text{SB}150}$	Standby current at $150 \text{ }^\circ\text{C}$ , at $V_{B+A} = 12.8 \text{ V}$ (Phase at 0 V, $V_{\text{LIN}} = V_{B+A}$ )	—	80	130	$\mu\text{A}$
$I_{\text{OP}}$	Operating current no EXC Load at $25 \text{ }^\circ\text{C}$ and $V_{B+A} = 13 \text{ V}$	—	—	18	mA
$V_{\text{REG}}$	Range of regulation voltage (50 % DC)	10.60	—	16	V
$\Delta V_{\text{REG}1}$	$V_{\text{REG}}$ setting accuracy voltage at 50 % for $V_{\text{REG}} = 13.8 \text{ V}$ and $T_J = 25 \text{ }^\circ\text{C}$	-100	—	+100	mV
$\Delta V_{\text{REG}2}$	$V_{\text{REG}}$ setting accuracy voltage Total variation with respect to real target voltage	-250	—	+250	mV
$V_{\text{OS\_MAX}}$	Overvoltage threshold	16.5	—	—	V
$V_{\text{Low}}$	Low-voltage threshold <sup>[2]</sup>	8.55	—	10.45	V
$R_{\text{DS.ON.EXC}}$	$R_{\text{DS-ON}}$ FIELD T MOS at $T_J = 150 \text{ }^\circ\text{C}$ (for $V_{B+A} > 7.0 \text{ V}$ ) <sup>[3]</sup>	—	—	100	m $\Omega$
$V_F$	Recirculation diode voltage at 5.0 A (Excitation current)	—	1.2	1.5	V
$V_{\text{OV}}$	Safety function	16.2	16.5	—	V
$I_{\text{EXC-SC}}$	EXC short-circuit protection threshold <sup>[2]</sup>	8.0	10	13.5	A
<b>LIN INTERFACE (Parameters refer to LIN Physical Layer Spec Revision 2.1)</b>					
$I_{\text{BUS\_LIM}}$	Current limitation for driver dominant state, driver on $V_{\text{BUS}} = 18 \text{ V}$	—	62	150	mA
$I_{\text{BUS\_PAS\_DOM}}$	Input leakage current at the receiver. Dominant state (Driver OFF, $V_{\text{BAT}} = 12 \text{ V}$ , $V_{\text{BUS}} = 0 \text{ V}$ )	-1.0	—	—	mA
$I_{\text{BUS\_PAS\_REC}}$	Input leakage current at the receiver. Recessive state (Driver OFF, $8.0 \text{ V} < V_{\text{BAT}} < 18 \text{ V}$ , $8.0 \text{ V} < V_{\text{BUS}} < 18 \text{ V}$ , $V_{\text{BUS}} > V_{\text{BAT}}$ )	—	—	20	$\mu\text{A}$

Symbol	Characteristic	Min.	Typ.	Max.	Unit
I <sub>BUS_NO_GND</sub>	Ground disconnection. $GND = V_{SUP}$ , $0 V < V_{BUS} < 18 V$ , $V_{BAT} = 12 V$ . Loss of local GND does not affect communication in the residual network	-1.0	—	1.0	mA
I <sub>BUS_NO_BAT</sub>	VBAT disconnection. $V_{SUP} = GND$ , $0 V < V_{BUS} < 18 V$ . Node sustains the current that can flow under this condition. LIN bus remains operational	—	—	100	μA
V <sub>BUS_DOM</sub>	Receiver dominant state	—	—	0.4 V <sub>SUP</sub>	V
V <sub>BUS_REC</sub>	Receiver recessive state	0.6 V <sub>SUP</sub>	—	—	V
V <sub>BUS_CNT</sub>	$V_{BUS\_CNT} = (V_{TH\_REC} + V_{TH\_DOM})/2$	0.475 V <sub>SUP</sub>	—	0.525 V <sub>SUP</sub>	V
V <sub>HYST</sub>	$V_{HYST} = V_{TH\_REC} - V_{TH\_DOM}$	—	—	0.175 V <sub>SUP</sub>	V
R <sub>SLAVE</sub>	Pull-up resistor	20	—	60	kΩ
C <sub>LIN</sub>	Internal capacitor	—	—	30	pF

- [1] All parameters are tested at  $V_{BAT} = 16.5 V$ , except for overvoltage, Safety function and LIN tests.
- [2] Threshold is selectable by fuse, see [Table 58](#).
- [3] The thermal capability of the packaging is critical to the full use of the output drive.

## 8.4 Dynamic electrical characteristics

**Table 7. Dynamic electrical characteristics**

Electrical parameters are tested at die level at 30 °C and 140 °C. Typical values noted reflect the approximate parameter mean at  $T_A = 25 °C$  under nominal conditions, unless otherwise noted. Parametric values guaranteed from  $T_J = -40 °C$  to 150 °C, unless otherwise noted. Operation is guaranteed by design up to  $T_{J-TSD}$ .

Symbol	Characteristic	Min.	Typ.	Max.	Unit
F <sub>REG</sub>	Regulation frequency	170	200	230	Hz
T <sub>DEFECT</sub>	Fault qualification delay/filter <sup>[1]</sup>	—	400	—	ms
DC <sub>MIN</sub>	Minimum duty cycle	—	—	5	%
EX <sub>PREEXC</sub>	Start-up duty cycle (Pre-excitation) <sup>[2]</sup>	5	12.5	25	%
N <sub>START</sub>	Minimum alternator speed measured to start regulation	504	560	616	RPM
N <sub>HYST</sub>	Hysteresis in speed between start and stop of regulation	50	100	150	RPM
ΔLRC	Delta LRC duty cycle	—	3.125	—	%
<b>LIN INTERFACE (Parameters refer to LIN Physical Layer Spec Revision 2.1)</b>					
TOL <sub>CLK</sub>	Lin controller clock (4 MHz relaxation oscillator) Clock overall tolerance	-10	—	10	%
F <sub>TOL_SYNC</sub>	Bit rate tolerance Deviation of slave node bit rate relative to the master node bit rate after synchronization	—	—	2	%
t <sub>BFS</sub>	Value of accuracy of the byte field detection	—	—	2/16	Tbit
t <sub>EBS</sub>	Earliest bit sample time, $t_{EBS} \leq t_{LBS}$	7/16	—	—	Tbit
t <sub>LBS</sub>	Latest bit sample time, $t_{EBS} \geq t_{LBS}$	—	—	10/16Tbit - t <sub>BFS</sub>	Tbit
D1 Valid for 20 kBaud	Duty cycle D1 $TH_{REC(max)} = 0.744 \times V_{SUP}$ , $TH_{DOM(max)} = 0.581 \times V_{SUP}$ $V_{SUP} 7.0 V$ to $18 V$ , $t_{BIT} = 50 \mu s$ $D1 = t_{BUS-rec(min)} / (2t_{BIT})$	0.396	—	—	%

Symbol	Characteristic	Min.	Typ.	Max.	Unit
D2 Valid for 20 kBaud	Duty cycle D2 $TH_{REC(min)} = 0.422 \times V_{SUP}$ , $TH_{DOM(min)} = 0.284 \times V_{SUP}$ $V_{SUP} 7.6 \text{ V to } 18 \text{ V}$ , $t_{BIT} = 50 \mu\text{s}$ $D2 = t_{BUS-rec(max)} / (2t_{BIT})$	—	—	0.581	%
D3 Valid for 10.4 kBaud	Duty cycle D3 $TH_{REC(max)} = 0.778 \times V_{SUP}$ , $TH_{DOM(max)} = 0.616 \times V_{SUP}$ $V_{SUP} 7.0 \text{ V to } 18 \text{ V}$ , $t_{BIT} = 96 \mu\text{s}$ $D3 = t_{BUS-rec(min)} / (2t_{BIT})$	0.417	—	—	%
D4 Valid for 10.4 kBaud	Duty cycle D4 $TH_{REC(min)} = 0.389 \times V_{SUP}$ , $TH_{DOM(min)} = 0.251 \times V_{SUP}$ $V_{SUP} 7.6 \text{ V to } 18 \text{ V}$ , $t_{BIT} = 96 \mu\text{s}$ $D4 = t_{BUS-rec(max)} / (2t_{BIT})$	—	—	0.59	%
$t_{RX\_PD}$	Receiver propagation delay $(T_{RX\_PD} = \text{MAX}(t_{REC\_PDR}, t_{REC\_PDF}))$ (internal timing, from physical layer to data layer logic)	—	—	6	$\mu\text{s}$
$T_{RX\_SYM}$	Symmetry of receiver propagation delay $(T_{RX\_SYM} = t_{REC\_PDF} - t_{REC\_PDR})$	-2	—	2	$\mu\text{s}$

[1] A fault has to be present for the whole of this time before it is considered valid. Four different deglitching times are selectable by fuse, see [Table 58](#).  
 [2] This parameter is selectable by fuse.

## 9 Functional description

### 9.1 Introduction

The AR6000 is an integrated circuit intended to regulate the output voltage of an automotive alternator.

It supplies a current via a high side MOSFET to the excitation coil of the alternator and provides an internal freewheeling diode. It allows the battery to keep its nominal charge and deliver current to electrical devices within the vehicle.

The IC provides a load response control mechanism (LRC and Return LRC), and has an interface for the industry standard LIN protocol (v1.3 or 2.1, selectable by fuse) to allow an ECU (master) to control the regulated voltage and the LRC rate, among other parameters.

The ECU can also read back information about the status of the regulator and the alternator via LIN.

The programmable parameters through LIN by the ECU:

- Regulation voltage set point
- LRC ramp time
- LRC disable speed
- Excitation current limitation
- Blind zone value and inhibition
- Thermal compensation threshold adjustment

The parameters sent back through LIN to the ECU:

- Excitation duty cycle
- Measured excitation current
- Measured battery voltage
- Measured die temperature
- Measured alternator speed

- Manufacturer and class
- Faults:
  - Electrical, mechanical, temperature
  - LIN time out
  - LIN communication error on check sum, ID parity, sync break, stop bit or bit sent.

The IC can be programmed as an OTP device (One Time Programmable) to fit a large number of alternators and applications. These programmable parameters are described in the functional device operation [Table 58](#).

## 9.2 Functional pin description

### 9.2.1 Phase (PH)

This pin is connected to one of the stator windings. This signal is used for the rotor speed measurement, stator voltage monitoring as well as the self start detection. The phase oscillation is monitored and phase boost is activated if phase amplitude is not oscillating between VTH\_L and VTH\_H.

### 9.2.2 LIN bus (BUS)

This LIN pin represents the single-wire bus transmitter and receiver. It is suited for automotive bus systems and is based on LIN protocol defined in LIN bus specification v2.1 and v1.3.

### 9.2.3 Ground pin (GND)

The AR6000 has one GND pin.

### 9.2.4 Supply voltage (B+A)

The AR6000 is supplied by this B+A pin. This voltage is also used as the feedback voltage by the regulation loop.

### 9.2.5 Excitation (EXC)

This pin is connected to the excitation coil (rotor) of the alternator. The IC supplies a current via a high side driver to the rotor in order to control the output current of the alternator when load varies so as to maintain battery voltage at defined set point.

## 10 Functional internal block description

### 10.1 Supply voltage: Filter/Divider, Bandgap, POR

An input filter and divider provides an image of the battery voltage to the internal ADC, which sends the converted value to the digital regulation loop circuit.

The supply block provides the voltages for the internal blocks of the AR6000.

- Main logic
- Analog permanently powered or not
- LIN transceiver
- Charge pump

The purpose of the POR block is to generate a clean reset to the main logic.

The Bandgap block provides the voltage and current references for the other blocks.



### 10.2 Power stage: Charge pump, Drive and protection, Current measurement

The power stage of the circuit consists of the gate driver with a charge pump and protection to control a high-side driver switching the excitation current. A short-circuit is instantaneously detected and the excitation current is turned off until the next regulation cycle. A freewheeling diode is inserted between the EXC and GND pins, across the excitation coil for the energy recirculation.

The current measurement block provides a value of the excitation current flowing in the high-side switch. The tolerance of the current value is defined according to [Figure 5](#).

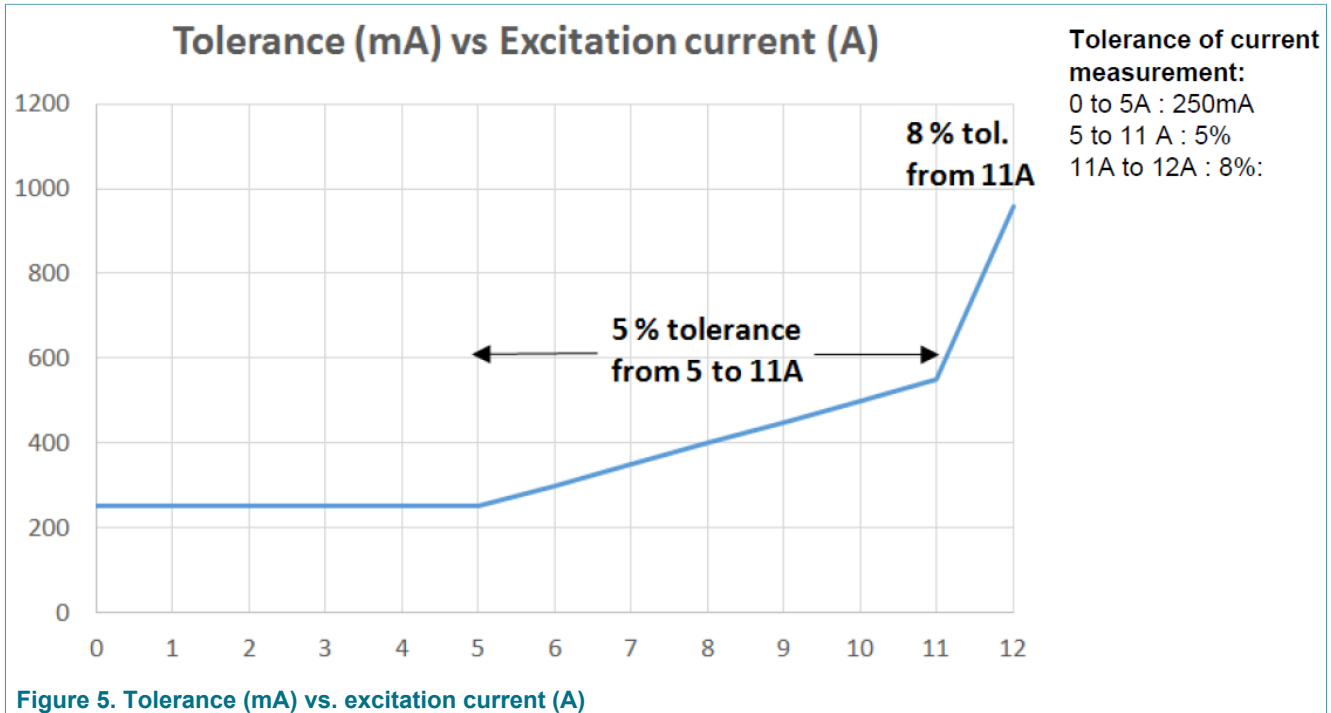


Figure 5. Tolerance (mA) vs. excitation current (A)

### 10.3 Logic and control

#### 10.3.1 Digital

The digital block gathers all the digital functions of the device. The main functionality is described in [Section 11 "Functional device operation"](#).

#### 10.3.2 Clock

This block is the clock reference for the digital block. The oscillator generates a 2.5 V square wave at the frequency of 8.0 MHz in Normal mode operation.

#### 10.3.3 OTP

This block allows easy configuration and adjustment of the circuit. A large number of fuse bits can be programmed either by NXP or by customer at end of line. They are listed in [Table 58](#).

#### 10.3.4 Phase low and high

The phase detector monitors the phase input and sends filtered low and high levels to the main logic when the phase signal is ok for regulation or for self-start.

**10.3.5 ADC**

The analog to digital converter is used in the voltage regulation loop for temperature measurement.

**10.3.6 Current measurement**

This block provides a measured value of the excitation current flowing in the power LDMOS to the logic.

**10.3.7 LIN**

This block controls the LIN bus transmission and reception.

**10.3.8 Power on reset (POR)**

When a Power On Reset occurs, device internal registers are reset and the device goes into stand by mode.

**11 Functional device operation**

**11.1 LIN frames**

The configuration of the LIN frames can be selected by fuse to fit the largest number of applications. Eleven LIN configurations are available. They are listed in the following tables and their description begins in [Section 11.2 "Message frame for configuration version-A"](#).

**Table 8. LIN frame configurations**

LIN Version		Identifier Hex
ALL	Rx	3C <sup>[1]</sup>
	Tx	3D <sup>[1]</sup>
	Frames Ignored	3E
		3F
LIN1 Version A	Rx	29
	Tx	11
	Tx	12
	Tx	15
LIN2 Version A	Rx	2A
	Tx	13
	Tx	14
	Tx	16
LIN3 Version A	Rx	20
	Tx	15
	Tx	21
	Tx	18
LIN4 Version A	Rx	2A
	Tx	13
	Tx	11
	Tx	16

LIN Version		Identifier Hex
LIN1 Version B	Rx	29
	Tx	12
	Tx	15
LIN2 Version B	Rx	2A
	Tx	14
	Tx	16
LIN3 Version B	Rx	20
	Tx	21
	Tx	18
LIN4 Version B	Rx	2A
	Tx	11
	Tx	16
LIN Version C	Rx	20
	Tx	21
	Tx	18
LIN1 Version D	Rx	29
	Tx	11
	Tx	12
LIN2 Version D	Rx	2A
	Tx	13
	Tx	14
LIN1 Version E	Rx	29
	Tx	21
	Tx	12

[1] ID=0x3C and ID=0x3D are accepted only in Wake-up and Pre-excitation modes.

	OTP bits	Corresponding version
LIN configuration	0000	Lin1 version A
	0001	Lin2 version A
	0010	Lin3 version A
	0011	Lin4 version A
	0100	Lin1 version B
	0101	Lin2 version B
	0110	Lin3 version B
	0111	Lin4 version B
	1000	Lin version C
	1001	Lin1 version D (with I <sub>EXC</sub> )
	1010	Lin2 version D (with I <sub>EXC</sub> )
	1011	Lin1 version D (With T°C)
	1100	Lin2 version D (with T°C)
	1101	Lin version E
	1110	
1111		

## 11.2 Message frame for configuration version-A

### 11.2.1 RxFrame

Table 9. Identifier: 0X29 (LIN1) or 0X2A (LIN2, LIN4) or 0X20 (LIN3)

Byte 1						Byte 2						Byte 3						Byte 4													
0	1	2	3	4	5	6	7	0	1	2	3	4	5	6	7	0	1	2	3	4	5	6	7	0	1	2	3	4	5	6	7
A						X	X	B				C				D					X	X	X	E			BZ	F			BZI

A: Voltage set value, 6 bits, [Table 25](#)

B: Load response ramp time, 4 bits, [Table 26](#)

C: Load response cut off speed, 4 bits, [Table 27](#)

D: Excitation current limitation, 5 bits, [Table 28](#)

E: Selection of output variable in TxFrame 3/Byte 4, 3 bits

Output choice	Code
VB+	001
Umes	010
Tchip	011
Alt Speed	100

BZ: “Blind zone”, 1 bit, [Table 29](#)

F: Voltage limitation for high temperature, 3 bits, [Table 30](#)

BZI: “Blind zone inhibition”, 1 bit (enabled by programming), [Table 31](#)

### 11.2.2 TxFrame 1

Table 10. Identifier: 0X11 (LIN1) or 0X13 (LIN2, LIN4) or 0X15 (LIN3)

Byte 1								Byte 2							
0	1	2	3	4	5	6	7	0	1	2	3	4	5	6	7
A	B	C	D					E						F	G

A: Diagnosis flag for high temperature, 1 bit

B: Diagnosis flag for mechanical failure, 1 bit

C: Diagnosis flag for electrical failure, 1 bit

D: Duty cycle value of the excitation PWM, 5 bits, [Table 32](#)

E: Measured excitation current, 6 bits, [Table 33](#)

F: Diagnosis flag for LIN error, 1 bit

G: Diagnosis flag LIN communication timeout, 1 bit

11.2.3 TxFrame 2

Table 11. Identifier: 0X12 (LIN1) or 0X14 (LIN2) or 0X21 (LIN3) or 0X11 (LIN4)

Byte 1								Byte 2							
0	1	2	3	4	5	6	7	0	1	2	3	4	5	6	7
A			B					C			D				

- A: Alternator supplier identification, 3 bits, [Table 34](#)
- B: Alternator identification, 5 bits (defined by customer)
- C: Chip supplier identification, 3 bits (defined by NXP)
- D: Chip identification, 5 bits (defined by NXP)

11.2.4 TxFrame 3

Table 12. Identifier: 0X15 (LIN1) or 0X16 (LIN2, LIN4) or 0X18 (LIN3)

Byte 1							Byte 2							Byte 3							Byte 4										
0	1	2	3	4	5	6	7	0	1	2	3	4	5	6	7	0	1	2	3	4	5	6	7	0	1	2	3	4	5	6	7
A	B	C	D				E							F			G	H	X	I	J	K									

- A: Diagnosis flag for high temperature, 1 bit
- B: Diagnosis flag for mechanical failure, 1 bit
- C: Diagnosis flag for electrical failure, 1 bit
- D: Duty cycle value of the excitation PWM, 5 bits, [Table 32](#)
- E: Measured excitation current, 8 bits, [Table 35](#)
- F: Confirmation of the selected output variable done in RxFrame Byte 4, 3 bits

Selected code	Confirmation code	Output choice
000	000	00000000
001	001	VB+
010	010	Umes
011	011	Tchip
100	100	Alt Speed
101	101	00000000
110	110	00000000
111	111	00000000

- G: I<sub>EXC</sub> flag, 1 bit (enabled by programming)
- H: LRC flag, 1 bit (enabled by programming)
- I: Diagnosis flag for LIN error, 1 bit
- J: Diagnosis flag LIN communication timeout, 1 bit
- K: Set voltage or measured voltage or chip temperature, 8 bits, [Table 36](#)

### 11.3 Message frame for configuration version-B

#### 11.3.1 RxFrame

Table 13. Identifier: 0X29 (LIN1) or 0X2A (LIN2, LIN4) or 0X20 (LIN3)

Byte 1								Byte 2								Byte 3								Byte 4							
0	1	2	3	4	5	6	7	0	1	2	3	4	5	6	7	0	1	2	3	4	5	6	7	0	1	2	3	4	5	6	7
A								B				C				X	D							E			BZ	F			BZI

- A: Voltage set value, 8 bits, [Table 37](#)
- B: Load response ramp time, 4 bits, [Table 38](#)
- C: Load response cut off speed, 4 bits, [Table 27](#)
- D: Excitation current limitation, 7 bits, [Table 39](#)
- E: Selection of output variable in TxFrame 3/Byte 4, 3 bits

Output choice	Code
VB+	001
Umes	010
Tchip	011
Alt Speed	100
00000000	101
00000000	110
00000000	111

- BZ: "Blind zone", 1 bit
- F: Voltage limitation for high temperature, 3 bits, [Table 30](#)
- BZI: "Blind zone inhibition", 1 bit (enabled by programming), [Table 31](#)

#### 11.3.2 TxFrame 1

Table 14. Identifier: 0X12 (LIN1) or 0X14 (LIN2, LIN4) or 0X21 (LIN3) 0X11 (LIN4)

Byte 1								Byte 2							
0	1	2	3	4	5	6	7	0	1	2	3	4	5	6	7
A			B					C			D				

- A: Alternator supplier identification, 3 bits, [Table 34](#)
- B: Alternator identification, 5 bits (defined by customer)
- C: Chip supplier identification, 3 bits (defined by NXP)
- D: Chip identification, 5 bits (defined by NXP)

11.3.3 TxFrame 2

Table 15. Identifier: 0X15 (LIN1) or 0X16 (LIN2, LIN4) or 0X18 (LIN3)

Byte 1								Byte 2								Byte 3								Byte 4							
0	1	2	3	4	5	6	7	0	1	2	3	4	5	6	7	0	1	2	3	4	5	6	7	0	1	2	3	4	5	6	7
A	B	C	D					E								F	G	H	X	I	J	K									

- A: Diagnosis flag for high temperature, 1 bit
- B: Diagnosis flag for mechanical failure, 1 bit
- C: Diagnosis flag for electrical failure, 1 bit
- D: Duty cycle value of the excitation PWM, 5 bits, [Table 40](#)
- E: Measured excitation current, 8 bits, [Table 35](#)
- F: Confirmation of the selected output variable done in RxFrame Byte 4, 3 bits

Selected code	Confirmation code	Output choice
000	000	00000000
001	001	VB+
010	010	Umes
011	011	Tchip
100	100	Alt Speed
101	101	00000000
110	110	00000000
111	111	00000000

- G: I<sub>EXC</sub> flag, 1 bit (enabled by programming)
- H: LRC flag, 1 bit (enabled by programming)
- I: Diagnosis flag for LIN error, 1 bit
- J: Diagnosis flag LIN communication time-out, 1 bit
- K: Set voltage or measured voltage or chip temperature, 8 bits, [Table 41](#)

11.4 Message frame for configuration version-C

11.4.1 RxFrame

Table 16. Identifier: 0X20

Byte 1								Byte 2								Byte 3								Byte 4							
0	1	2	3	4	5	6	7	0	1	2	3	4	5	6	7	0	1	2	3	4	5	6	7	0	1	2	3	4	5	6	7
A	X							B				C				D								E							

- A: LRC blind zone, 2 bits, [Table 42](#)
- B: Load response ramp time, 4 bits, [Table 44](#)
- C: Load response cut off speed, 4 bits, [Table 45](#)
- D: Regulation voltage set point, 8 bits, [Table 43](#)
- E: Excitation current limitation, 8 bits, [Table 46](#)

11.4.2 TxFrame 1

Table 17. Identifier: 0X21

Byte 1								Byte 2								Byte 3								Byte 4							
0	1	2	3	4	5	6	7	0	1	2	3	4	5	6	7	0	1	2	3	4	5	6	7	0	1	2	3	4	5	6	7
A	B	C	D	E	X	X	X	F								G								H							

- A: Diagnosis flag for mechanical temperature, 1 bit
- B: Diagnosis flag for electrical failure, 1 bit
- C: Diagnosis flag for communication error, 1 bit
- D: Diagnosis flag for Timeout, 1 bit
- E: Diagnosis flag for High temperature, 1 bits
- F: Measured voltage on pad B+A, 8 bits, [Table 50](#)
- G: Measured excitation current, 8 bits, [Table 49](#)
- H: Duty cycle value of the excitation PWM, 8 bits, [Table 48](#)

11.4.3 TxFrame 2

Table 18. Identifier: 0X18

Byte 1								Byte 2							
0	1	2	3	4	5	6	7	0	1	2	3	4	5	6	7
A								B			C				

- A: Temperature information, 8 bits, [Table 51](#)
- B: Alternator supplier identification, 3 bits, [Table 34](#)
- C: Alternator class identification, 5 bits (defined by customer)



## 11.5 Message frame for configuration version-D

### 11.5.1 RxFrame

Table 19. Identifier: 0X29 (LIN1) or 0X2A(LIN2)

Byte 1						Byte 2						Byte 3						Byte 4													
0	1	2	3	4	5	6	7	0	1	2	3	4	5	6	7	0	1	2	3	4	5	6	7	0	1	2	3	4	5	6	7
A						X	X	B				C		D					X	X	X	X	X	X	X	X	X	X	X	X	X

A: Voltage set value, 6 bits, [Table 25](#)

B: Load response ramp time, 4 bits, [Table 26](#)

C: Load response cut off speed, 4 bits, [Table 27](#)

D: Excitation current limitation, 5 bits, [Table 28](#)

### 11.5.2 TxFrame 1

Table 20. Identifier: 0X11 (LIN1) or 0X13 (LIN2)

Byte 1							Byte 2								
0	1	2	3	4	5	6	7	0	1	2	3	4	5	6	7
A	B	C	D				E					F	G		

A: Diagnosis flag for high temperature, 1 bit

B: Diagnosis flag for mechanical failure, 1 bit

C: Diagnosis flag for electrical failure, 1 bit

D: Duty cycle value of the excitation PWM, 5 bits, [Table 32](#)

E: Measured excitation current, 6 bits, [Table 33](#) Temperature measurement, 6 bits, [Table 54](#)

F: Diagnosis flag for LIN error, 1 bit

G: Diagnosis flag LIN communication time-out, 1 bit

### 11.5.3 TxFrame 2

Table 21. Identifier: 0X12 (LIN1) or 0X14 (LIN2)

Byte 1							Byte 2								
0	1	2	3	4	5	6	7	0	1	2	3	4	5	6	7
A			B				C	D	E	F	X	X	X	X	

A: Alternator supplier identification, 3 bits, [Table 34](#)

B: Alternator identification, 5 bits (defined by customer)

C: Sync Break fault, 1 bit

D: ID parity fault, 1-bit

E: Checksum fault, 1 bit

F: Not Slave responding fault, 1 bit

## 11.6 Message frame for configuration version-E

### 11.6.1 RxFrame

Table 22. Identifier: 0X29

Byte 1								Byte 2								Byte 3								Byte 4							
0	1	2	3	4	5	6	7	0	1	2	3	4	5	6	7	0	1	2	3	4	5	6	7	0	1	2	3	4	5	6	7
A						X	X	B				C				D								X	X	X	BZ	X	X	X	X

A: Voltage set value, 6 bits, [Table 25](#)

B: Load response ramp time, 4 bits, [Table 26](#)

C: Load response cut off speed, 4 bits, [Table 45](#)

D: Excitation current limitation, 8 bits, [Table 56](#)

BZ: “Blind zone”, 1 bit, [Table 29](#)

### 11.6.2 TxFrame 1

Table 23. Identifier: 0X21

Byte 1								Byte 2								Byte 3								Byte 4							
0	1	2	3	4	5	6	7	0	1	2	3	4	5	6	7	0	1	2	3	4	5	6	7	0	1	2	3	4	5	6	7
A	B	C	D					E								X	X	X	X	X	X	G	H	I							

A: Diagnosis flag for high temperature, 1 bit

B: Diagnosis flag for mechanical failure, 1 bit

C: Diagnosis flag for electrical failure, 1 bit

D: Duty cycle value of the excitation PWM, 5 bits, [Table 53](#)

E: Measured excitation current, 8 bits, [Table 56](#)

G: Diagnosis flag for LIN error, 1 bit

H: Diagnosis flag LIN communication time-out, 1 bit

I: Chip temperature, 8-bits, [Table 57](#)

### 11.6.3 TxFrame 2

Table 24. Identifier: 0X12 (LIN1)

Byte 1								Byte 2							
0	1	2	3	4	5	6	7	0	1	2	3	4	5	6	7
A			B					C			D				

A: Alternator supplier identification, 3 bits, [Table 34](#)

B: Alternator identification, 5 bits (defined by customer)

C: Chip supplier identification, 3 bits (defined by NXP)

D: Chip identification, 5 bits (defined by NXP)

## 12 Lookup tables

Table 25. Voltage set point (6 bits) – versions A, D and E

Code	V	Code	V
000000	10.6/OFF	100000	13.8
000001	10.7	100001	13.9
000010	10.8	100010	14
000011	10.9	100011	14.1
000100	11	100100	14.2
000101	11.1	100101	14.3
000110	11.2	100110	14.4
000111	11.3	100111	14.5
001000	11.4	101000	14.6
001001	11.5	101001	14.7
001010	11.6	101010	14.8
001011	11.7	101011	14.9
001100	11.8	101100	15
001101	11.9	101101	15.1
001110	12	101110	15.2
001111	12.1	101111	15.3
010000	12.2	110000	15.4
010001	12.3	110001	15.5
010010	12.4	110010	15.6
010011	12.5	110011	15.7
010100	12.6	110100	15.8
010101	12.7	110101	15.9
010110	12.8	110110	16
010111	12.9	110111	16
011000	13	111000	16
011001	13.1	111001	16
011010	13.2	111010	16
011011	13.3	111011	16
011100	13.4	111100	16
011101	13.5	111101	16
011110	13.6	111110	16
011111	13.7	111111	16

Table 26. LRC ramp time – versions A, D and E

Ramp time	Seconds	Ramp time	Seconds
0000	0	1000	8
0001	1	1001	9
0010	2	1010	10

Ramp time	Seconds	Ramp time	Seconds
0011	3	1011	11
0100	4	1100	12
0101	5	1101	13
0110	6	1110	14
0111	7	1111	15

Table 27. LRC disable speed (4 bits) – versions A, B and D

Ramp time	Seconds	Ramp time	Seconds
0000	2400	1000	4000
0001	2530	1001	4360
0010	2670	1010	4790
0011	2830	1011	5320
0100	3000	1100	5990
0101	3200	1101	6860
0110	3430	1110	8010
0111	3690	1111	Always active

Table 28. Excitation current limitation (5 bits) – versions A and D

EXC code	EXC current (A)	EXC code	EXC current (A)
00000	No limitation/ only current protection activated	10000	4
00001	2	10001	4.25
00010	2	10010	4.5
00011	2	10011	4.75
00100	2	10100	5
00101	2	10101	5.25
00110	2	10110	5.5
00111	2	10111	5.75
01000	2	11000	6
01001	2.25	11001	6.25
01010	2.5	11010	6.5
01011	2.75	11011	6.75
01100	3	11100	7
01101	3.25	11101	7.25
01110	3.5	11110	7.5
01111	3.75	11111	7.75

Table 29. Blind zone (1 bit) – versions A and E

Blind zone	Value
3%	0
12%	1

Table 30. Reference voltage limitation for high temperatures (3 bits) – versions A and B

Temperature	Code
Default value 0 °C	000
Default value –16 °C	001
Default value –12 °C	010
Default value –8.0 °C	011
Default value –4.0 °C	100
Default value +4.0 °C	101
Default value +8.0 °C	110
Default value +12 °C	111

Table 31. Blind zone inhibition (1 bit) – versions A and B

BZI	BZ
0	Enabled
1	Disabled

Table 32. Duty cycle value (5 bits) – versions A and D

EXC duty cycle	DF (%)	EXC duty cycle	DF (%)
00000	0 < DF < 3.125	10000	50 < DF < 53.125
00001	3.125 < DF < 6.25	10001	53.125 < DF < 56.25
00010	6.25 < DF < 9.375	10010	56.25 < DF < 59.375
00011	9.375 < DF < 12.5	10011	59.375 < DF < 62.5
00100	12.5 < DF < 15.625	10100	62.5 < DF < 65.625
00101	15.625 < DF < 18.75	10101	65.625 < DF < 68.75
00110	18.75 < DF < 21.875	10110	68.75 < DF < 71.875
00111	21.875 < DF < 25	10111	71.875 < DF < 75
01000	25 < DF < 28.125	11000	75 < DF < 78.125
01001	28.125 < DF < 31.25	11001	78.125 < DF < 81.25
01010	31.25 < DF < 34.375	11010	81.25 < DF < 84.375
01011	34.375 < DF < 37.5	11011	84.375 < DF < 87.5
01100	37.5 < DF < 40.625	11100	87.5 < DF < 90.625
01101	40.625 < DF < 43.75	11101	90.625 < DF < 93.75
01110	43.75 < DF < 46.875	11110	93.75 < DF < 96.875
01111	46.875 < DF < 50	11111	96.875 < DF < 100

Table 33. Excitation current measurement (6 bits) – versions A and D

EXC code	EXC current (A)	EXC code	EXC current (A)
000000	0	100000	4
000001	0.125	100001	4.125
000010	0.25	100010	4.25
000011	0.375	100011	4.375
000100	0.5	100100	4.5
000101	0.625	100101	4.625
000110	0.75	100110	4.75
000111	0.875	100111	4.875
001000	1	101000	5
001001	1.125	101001	5.125
001010	1.25	101010	5.25
001011	1.375	101011	5.375
001100	1.5	101100	5.5
001101	1.625	101101	5.625
001110	1.75	101110	5.75
001111	1.875	101111	5.875
010000	2	110000	6
010001	2.125	110001	6.125
010010	2.25	110010	6.25
010011	2.375	110011	6.375
010100	2.5	110100	6.5
010101	2.625	110101	6.625
010110	2.75	110110	6.75
010111	2.875	110111	6.875
011000	3	111000	7
011001	3.125	111001	7.125
011010	3.25	111010	7.25
011011	3.375	111011	7.375
011100	3.5	111100	7.5
011101	3.625	111101	7.625
011110	3.75	111110	7.75
011111	3.875	111111	7.875

Table 34. Alternator supplier identification (3 bits) – All versions

Alternator supplier	Code
Bosch	000
Valeo	001
Delfphi	010
Hitachi	011
Denso	100

Alternator supplier	Code
Melco	101
Visteon	110
Other	111

Table 35. Excitation current measurement (8 bits) – versions A and B

Irotor code	Irotor value	Irotor code	Irotor value
00000000	0	10000000	6.4
00000001	0.05	10000001	6.45
00000010	0.1	10000010	6.5
00000011	0.15	10000011	6.55
00000100	0.2	10000100	6.6
00000101	0.25	10000101	6.65
00000110	0.3	10000110	6.7
00000111	0.35	10000111	6.75
00001000	0.4	10001000	6.8
00001001	0.45	10001001	6.85
00001010	0.5	10001010	6.9
00001011	0.55	10001011	6.95
00001100	0.6	10001100	7
00001101	0.65	10001101	7.05
00001110	0.7	10001110	7.1
00001111	0.75	10001111	7.15
00010000	0.8	10010000	7.2
00010001	0.85	10010001	7.25
00010010	0.9	10010010	7.3
00010011	0.95	10010011	7.35
00010100	1	10010100	7.4
00010101	1.05	10010101	7.45
00010110	1.1	10010110	7.5
00010111	1.15	10010111	7.55
00011000	1.2	10011000	7.6
00011001	1.25	10011001	7.65
00011010	1.3	10011010	7.7
00011011	1.35	10011011	7.75
00011100	1.4	10011100	7.8
00011101	1.45	10011101	7.85
00011110	1.5	10011110	7.9
00011111	1.55	10011111	7.95
00100000	1.6	10100000	8
00100001	1.65	10100001	8.05

Irotor code	Irotor value	Irotor code	Irotor value
00100010	1.7	10100010	8.1
00100011	1.75	10100011	8.15
00100100	1.8	10100100	8.2
00100101	1.85	10100101	8.25
00100110	1.9	10100110	8.3
00100111	1.95	10100111	8.35
00101000	2	10101000	8.4
00101001	2.05	10101001	8.45
00101010	2.1	10101010	8.5
00101011	2.15	10101011	8.55
00101100	2.2	10101100	8.6
00101101	2.25	10101101	8.65
00101110	2.3	10101110	8.7
00101111	2.35	10101111	8.75
00110000	2.4	10110000	8.8
00110001	2.45	10110001	8.85
00110010	2.5	10110010	8.9
00110011	2.55	10110011	8.95
00110100	2.6	10110100	9
00110101	2.65	10110101	9.05
00110110	2.7	10110110	9.1
00110111	2.75	10110111	9.15
00111000	2.8	10111000	9.2
00111001	2.85	10111001	9.25
00111010	2.9	10111010	9.3
00111011	2.95	10111011	9.35
00111100	3	10111100	9.4
00111101	3.05	10111101	9.45
00111110	3.1	10111110	9.5
00111111	3.15	10111111	9.55
01000000	3.2	11000000	9.6
01000001	3.25	11000001	9.65
01000010	3.3	11000010	9.7
01000011	3.35	11000011	9.75
01000100	3.4	11000100	9.8
01000101	3.45	11000101	9.85
01000110	3.5	11000110	9.9
01000111	3.55	11000111	9.95
01001000	3.6	11001000	10
01001001	3.65	11001001	10.05
01001010	3.7	11001010	10.1



Irotor code	Irotor value	Irotor code	Irotor value
01001011	3.75	11001011	10.15
01001100	3.8	11001100	10.2
01001101	3.85	11001101	10.25
01001110	3.9	11001110	10.3
01001111	3.95	11001111	10.35
01010000	4	11010000	10.4
01010001	4.05	11010001	10.45
01010010	4.1	11010010	10.5
01010011	4.15	11010011	10.55
01010100	4.2	11010100	10.6
01010101	4.25	11010101	10.65
01010110	4.3	11010110	10.7
01010111	4.35	11010111	10.75
01011000	4.4	11011000	10.8
01011001	4.45	11011001	10.85
01011010	4.5	11011010	10.9
01011011	4.55	11011011	10.95
01011100	4.6	11011100	11
01011101	4.65	11011101	11.05
01011110	4.7	11011110	11.1
01011111	4.75	11011111	11.15
01100000	4.8	11100000	11.2
01100001	4.85	11100001	11.25
01100010	4.9	11100010	11.3
01100011	4.95	11100011	11.35
01100100	5	11100100	11.4
01100101	5.05	11100101	11.45
01100110	5.1	11100110	11.5
01100111	5.15	11100111	11.55
01101000	5.2	11101000	11.6
01101001	5.25	11101001	11.65
01101010	5.3	11101010	11.7
01101011	5.35	11101011	11.75
01101100	5.4	11101100	11.8
01101101	5.45	11101101	11.85
01101110	5.5	11101110	11.9
01101111	5.55	11101111	11.95
01110000	5.6	11110000	12
01110001	5.65	11110001	12.05
01110010	5.7	11110010	12.1
01110011	5.75	11110011	12.15

Irotor code	Irotor value	Irotor code	Irotor value
01110100	5.8	11110100	12.2
01110101	5.85	11110101	12.25
01110110	5.9	11110110	12.3
01110111	5.95	11110111	12.35
01111000	6	11111000	12.4
01111001	6.05	11111001	12.45
01111010	6.1	11111010	12.5
01111011	6.15	11111011	12.55
01111100	6.2	11111100	12.6
01111101	6.25	11111101	12.65
01111110	6.3	11111110	> 12.65
01111111	6.35	11111111	-

Table 36. Battery voltage measurement, temperature measurement or alternator speed (8 bits) – version A

Tx 3 Byte 4	Umes	Tchip	n
00000000	> 8	T < -38 °C	n < 567
00000001	8.1	-38 °C < T < -34 °C	567
00000010	8.2	-34 °C < T < -30 °C	569
00000011	8.3	-30 °C < T < -26 °C	571
00000100	8.4	-26 °C < T < -22 °C	574
00000101	8.5	-22 °C < T < -18 °C	576
00000110	8.6	-18 °C < T < -14 °C	578
00000111	8.7	-14 °C < T < -10 °C	581
00001000	8.8	-10 °C < T < -6.0 °C	583
00001001	8.9	-6.0 °C < T < -2.0 °C	585
00001010	9	-2.0 °C < T < 2.0 °C	588
00001011	9.1	2.0 °C < T < 6.0 °C	590
00001100	9.2	6.0 °C < T < 10 °C	593
00001101	9.3	10 °C < T < 14 °C	595
00001110	9.4	14 °C < T < 18 °C	598
00001111	9.5	18 °C < T < 22 °C	600
00010000	9.6	22 °C < T < 26 °C	603
00010001	9.7	26 °C < T < 30 °C	605
00010010	9.8	30 °C < T < 34 °C	608
00010011	9.9	34 °C < T < 38 °C	610
00010100	10	38 °C < T < 42 °C	613
00010101	10.1	42 °C < T < 46 °C	615
00010110	10.2	46 °C < T < 50 °C	618
00010111	10.3	50 °C < T < 54 °C	621
00011000	10.4	54 °C < T < 58 °C	623

Tx 3 Byte 4	Umes	Tchip	n
00011001	10.5	58 °C < T < 62 °C	626
00011010	10.6	62 °C < T < 66 °C	629
00011011	10.7	66 °C < T < 70 °C	632
00011100	10.8	70 °C < T < 74 °C	634
00011101	10.9	74 °C < T < 78 °C	637
00011110	11	78 °C < T < 82 °C	640
00011111	11.1	82 °C < T < 86 °C	643
00100000	11.2	86 °C < T < 90 °C	646
00100001	11.3	90 °C < T < 94 °C	649
00100010	11.4	94 °C < T < 98 °C	652
00100011	11.5	98 °C < T < 102 °C	655
00100100	11.6	102 °C < T < 106 °C	658
00100101	11.7	106 °C < T < 110 °C	661
00100110	11.8	110 °C < T < 114 °C	664
00100111	11.9	114 °C < T < 118 °C	667
00101000	12	118 °C < T < 122 °C	670
00101001	12.1	122 °C < T < 126 °C	673
00101010	12.2	126 °C < T < 130 °C	676
00101011	12.3	130 °C < T < 134 °C	679
00101100	12.4	134 °C < T < 138 °C	682
00101101	12.5	138 °C < T < 142 °C	686
00101110	12.6	142 °C < T < 146 °C	689
00101111	12.7	146 °C < T < 150 °C	692
00110000	12.8	150 °C < T < 154 °C	696
00110001	12.9	154 °C < T < 158 °C	699
00110010	13	158 °C < T < 162 °C	702
00110011	13.1	162 °C < T < 166 °C	706
00110100	13.2	166 °C < T < 170 °C	709
00110101	13.3	170 °C < T < 174 °C	713
00110110	13.4	174 °C < T < 178 °C	716
00110111	13.5	178 °C < T < 182 °C	720
00111000	13.6	182 °C < T < 186 °C	724
00111001	13.7	186 °C < T < 190 °C	727
00111010	13.8	190 °C < T < 194 °C	731
00111011	13.9	194 °C < T < 198 °C	735
00111100	14	198 °C < T < 200 °C	738
00111101	14.1	T > 200 °C	742
00111110	14.2	T > 200 °C	746
00111111	14.3	T > 200 °C	750
01000000	14.4	T > 200 °C	754
01000001	14.5	T > 200 °C	758

Tx 3 Byte 4	Umes	Tchip	n
01000010	14.6	T > 200 °C	762
01000011	14.7	T > 200 °C	766
01000100	14.8	T > 200 °C	770
01000101	14.9	T > 200 °C	774
01000110	15	T > 200 °C	778
01000111	15.1	T > 200 °C	783
01001000	15.2	T > 200 °C	787
01001001	15.3	T > 200 °C	791
01001010	15.4	T > 200 °C	796
01001011	15.5	T > 200 °C	800
01001100	15.6	T > 200 °C	804
01001101	15.7	T > 200 °C	809
01001110	15.8	T > 200 °C	814
01001111	15.9	T > 200 °C	818
01010000	16	T > 200 °C	823
01010001	16.1	T > 200 °C	828
01010010	16.2	T > 200 °C	832
01010011	16.3	T > 200 °C	837
01010100	16.4	T > 200 °C	842
01010101	16.5	T > 200 °C	847
01010110	16.6	T > 200 °C	852
01010111	16.7	T > 200 °C	857
01011000	16.8	T > 200 °C	862
01011001	16.9	T > 200 °C	867
01011010	17	T > 200 °C	873
01011011	17.1	T > 200 °C	878
01011100	17.2	T > 200 °C	883
01011101	17.3	T > 200 °C	889
01011110	17.4	T > 200 °C	894
01011111	17.5	T > 200 °C	900
01100000	17.6	T > 200 °C	906
01100001	17.7	T > 200 °C	911
01100010	17.8	T > 200 °C	917
01100011	17.9	T > 200 °C	923
01100100	18	T > 200 °C	929
01100101	18.1	T > 200 °C	935
01100110	18.2	T > 200 °C	941
01100111	18.3	T > 200 °C	947
01101000	18.4	T > 200 °C	954
01101001	18.5	T > 200 °C	960
01101010	18.6	T > 200 °C	966

Tx 3 Byte 4	Umes	Tchip	n
01101011	18.7	T > 200 °C	973
01101100	18.8	T > 200 °C	980
01101101	18.9	T > 200 °C	986
01101110	19	T > 200 °C	993
01101111	19.1	T > 200 °C	1000
01110000	19.2	T > 200 °C	1007
01110001	19.3	T > 200 °C	1014
01110010	19.4	T > 200 °C	1021
01110011	19.5	T > 200 °C	1029
01110100	19.6	T > 200 °C	1036
01110101	19.7	T > 200 °C	1043
01110110	19.8	T > 200 °C	1051
01110111	19.9	T > 200 °C	1059
01111000	20	T > 200 °C	1067
01111001	20.1	T > 200 °C	1075
01111010	20.2	T > 200 °C	1083
01111011	20.3	T > 200 °C	1091
01111100	20.4	T > 200 °C	1099
01111101	20.5	T > 200 °C	1108
01111110	20.6	T > 200 °C	1116
01111111	20.7	T > 200 °C	1125
10000000	20.8	T > 200 °C	1134
10000001	20.9	T > 200 °C	1143
10000010	21	T > 200 °C	1152
10000011	21.1	T > 200 °C	1161
10000100	21.2	T > 200 °C	1171
10000101	21.3	T > 200 °C	1180
10000110	21.4	T > 200 °C	1190
10000111	21.5	T > 200 °C	1200
10001000	21.6	T > 200 °C	1210
10001001	21.7	T > 200 °C	1220
10001010	21.8	T > 200 °C	1231
10001011	21.9	T > 200 °C	1241
10001100	22	T > 200 °C	1252
10001101	22.1	T > 200 °C	1263
10001110	22.2	T > 200 °C	1274
10001111	22.3	T > 200 °C	1286
10010000	22.4	T > 200 °C	1297
10010001	22.5	T > 200 °C	1309
10010010	22.6	T > 200 °C	1321
10010011	22.7	T > 200 °C	1333

Tx 3 Byte 4	Umes	Tchip	n
10010100	22.8	T > 200 °C	1346
10010101	22.9	T > 200 °C	1358
10010110	23	T > 200 °C	1371
10010111	23.1	T > 200 °C	1385
10011000	23.2	T > 200 °C	1398
10011001	23.3	T > 200 °C	1412
10011010	23.4	T > 200 °C	1426
10011011	23.5	T > 200 °C	1440
10011100	23.6	T > 200 °C	1455
10011101	23.7	T > 200 °C	1469
10011110	23.8	T > 200 °C	1485
10011111	23.9	T > 200 °C	1500
10100000	> 24	T > 200 °C	1516
10100001	—	T > 200 °C	1532
10100010	—	T > 200 °C	1548
10100011	—	T > 200 °C	1565
10100100	—	T > 200 °C	1582
10100101	—	T > 200 °C	1600
10100110	—	T > 200 °C	1618
10100111	—	T > 200 °C	1636
10101000	—	T > 200 °C	1655
10101001	—	T > 200 °C	1674
10101010	—	T > 200 °C	1694
10101011	—	T > 200 °C	1714
10101100	—	T > 200 °C	1735
10101101	—	T > 200 °C	1756
10101110	—	T > 200 °C	1778
10101111	—	T > 200 °C	1800
10110000	—	T > 200 °C	1823
10110001	—	T > 200 °C	1846
10110010	—	T > 200 °C	1870
10110011	—	T > 200 °C	1895
10110100	—	T > 200 °C	1920
10110101	—	T > 200 °C	1946
10110110	—	T > 200 °C	1973
10110111	—	T > 200 °C	2000
10111000	—	T > 200 °C	2028
10111001	—	T > 200 °C	2057
10111010	—	T > 200 °C	2087
10111011	—	T > 200 °C	2118
10111100	—	T > 200 °C	2149

Tx 3 Byte 4	Umes	Tchip	n
10111101	—	T > 200°C	2182
10111110	—	T > 200°C	2215
10111111	—	T > 200°C	2250
11000000	—	T > 200°C	2286
11000001	—	T > 200°C	2323
11000010	—	T > 200°C	2361
11000011	—	T > 200°C	2400
11000100	—	T > 200°C	2441
11000101	—	T > 200°C	2483
11000110	—	T > 200°C	2526
11000111	—	T > 200°C	2571
11001000	—	T > 200°C	2618
11001001	—	T > 200°C	2667
11001010	—	T > 200°C	2717
11001011	—	T > 200°C	2769
11001100	—	T > 200°C	2824
11001101	—	T > 200°C	2880
11001110	—	T > 200°C	2939
11001111	—	T > 200°C	3000
11010000	—	T > 200°C	3064
11010001	—	T > 200°C	3130
11010010	—	T > 200 °C	3200
11010011	—	T > 200 °C	3273
11010100	—	T > 200 °C	3349
11010101	—	T > 200 °C	3429
11010110	—	T > 200 °C	3512
11010111	—	T > 200 °C	3600
11011000	—	T > 200 °C	3692
11011001	—	T > 200 °C	3789
11011010	—	T > 200 °C	3892
11011011	—	T > 200 °C	4000
11011100	—	T > 200 °C	4114
11011101	—	T > 200 °C	4235
11011110	—	T > 200 °C	4364
11011111	—	T > 200 °C	4500
11100000	—	T > 200 °C	4645
11100001	—	T > 200 °C	4800
11100010	—	T > 200 °C	4966
11100011	—	T > 200 °C	5143
11100100	—	T > 200 °C	5333
11100101	—	T > 200 °C	5538

Tx 3 Byte 4	Umes	Tchip	n
11100110	—	T > 200 °C	5760
11100111	—	T > 200 °C	6000
11101000	—	T > 200 °C	6261
11101001	—	T > 200 °C	6545
11101010	—	T > 200 °C	6857
11101011	—	T > 200 °C	7200
11101100	—	T > 200 °C	7579
11101101	—	T > 200 °C	8000
11101110	—	T > 200 °C	8471
11101111	—	T > 200 °C	9000
11110000	—	T > 200 °C	9600
11110001	—	T > 200 °C	10286
11110010	—	T > 200 °C	11077
11110011	—	T > 200 °C	12000
11110100	—	T > 200 °C	13091
11110101	—	T > 200 °C	14400
11110110	—	T > 200 °C	16000
11110111	—	T > 200 °C	18000
11111000	—	T > 200 °C	20571
11111001	—	T > 200 °C	—
11111010	—	T > 200 °C	—
11111011	—	T > 200 °C	—
11111100	—	T > 200 °C	—
11111101	—	T > 200 °C	—
11111110	—	T > 200 °C	—
11111111	—	T > 200 °C	—

Table 37. Set point voltage (8 bits) – version B

Voltage code	Voltage value	Voltage code	Voltage value
00000000	10.6	10000000	13.8
00000001	10.625	10000001	13.825
00000010	10.65	10000010	13.85
00000011	10.675	10000011	13.875
00000100	10.7	10000100	13.9
00000101	10.725	10000101	13.925
00000110	10.75	10000110	13.95
00000111	10.775	10000111	13.975
00001000	10.8	10001000	14
00001001	10.825	10001001	14.025
00001010	10.85	10001010	14.05



Voltage code	Voltage value	Voltage code	Voltage value
00001011	10.875	10001011	14.075
00001100	10.9	10001100	14.1
00001101	10.925	10001101	14.125
00001110	10.95	10001110	14.15
00001111	10.975	10001111	14.175
00010000	11	10010000	14.2
00010001	11.025	10010001	14.225
00010010	11.05	10010010	14.25
00010011	11.075	10010011	14.275
00010100	11.1	10010100	14.3
00010101	11.125	10010101	14.325
00010110	11.15	10010110	14.35
00010111	11.175	10010111	14.375
00011000	11.2	10011000	14.4
00011001	11.225	10011001	14.425
00011010	11.25	10011010	14.45
00011011	11.275	10011011	14.475
00011100	11.3	10011100	14.5
00011101	11.325	10011101	14.525
00011110	11.35	10011110	14.55
00011111	11.375	10011111	14.575
00100000	11.4	10100000	14.6
00100001	11.425	10100001	14.625
00100010	11.45	10100010	14.65
00100011	11.475	10100011	14.675
00100100	11.5	10100100	14.7
00100101	11.525	10100101	14.725
00100110	11.55	10100110	14.75
00100111	11.575	10100111	14.775
00101000	11.6	10101000	14.8
00101001	11.625	10101001	14.825
00101010	11.65	10101010	14.85
00101011	11.675	10101011	14.875
00101100	11.7	10101100	14.9
00101101	11.725	10101101	14.925
00101110	11.75	10101110	14.95
00101111	11.775	10101111	14.975
00110000	11.8	10110000	15
00110001	11.825	10110001	15.025
00110010	11.85	10110010	15.05
00110011	11.875	10110011	15.075

Voltage code	Voltage value	Voltage code	Voltage value
00110100	11.9	10110100	15.1
00110101	11.925	10110101	15.125
00110110	11.95	10110110	15.15
00110111	11.975	10110111	15.175
00111000	12	10111000	15.2
00111001	12.025	10111001	15.225
00111010	12.05	10111010	15.25
00111011	12.075	10111011	15.275
00111100	12.1	10111100	15.3
00111101	12.125	10111101	15.325
00111110	12.15	10111110	15.35
00111111	12.175	10111111	15.375
01000000	12.2	11000000	15.4
01000001	12.225	11000001	15.425
01000010	12.25	11000010	15.45
01000011	12.275	11000011	15.475
01000100	12.3	11000100	15.5
01000101	12.325	11000101	15.525
01000110	12.35	11000110	15.55
01000111	12.375	11000111	15.575
01001000	12.4	11001000	15.6
01001001	12.425	11001001	15.625
01001010	12.45	11001010	15.65
01001011	12.475	11001011	15.675
01001100	12.5	11001100	15.7
01001101	12.525	11001101	15.725
01001110	12.55	11001110	15.75
01001111	12.575	11001111	15.775
01010000	12.6	11010000	15.8
01010001	12.625	11010001	15.825
01010010	12.65	11010010	15.85
01010011	12.675	11010011	15.875
01010100	12.7	11010100	15.9
01010101	12.725	11010101	15.925
01010110	12.75	11010110	15.95
01010111	12.775	11010111	15.975
01011000	12.8	11011000	16
01011001	12.825	11011001	16
01011010	12.85	11011010	16
01011011	12.875	11011011	16
01011100	12.9	11011100	16

Voltage code	Voltage value	Voltage code	Voltage value
01011101	12.925	11011101	16
01011110	12.95	11011110	16
01011111	12.975	11011111	16
01100000	13	11100000	16
01100001	13.025	11100001	16
01100010	13.05	11100010	16
01100011	13.075	11100011	16
01100100	13.1	11100100	16
01100101	13.125	11100101	16
01100110	13.15	11100110	16
01100111	13.175	11100111	16
01101000	13.2	11101000	16
01101001	13.225	11101001	16
01101010	13.25	11101010	16
01101011	13.275	11101011	16
01101100	13.3	11101100	16
01101101	13.325	11101101	16
01101110	13.35	11101110	16
01101111	13.375	11101111	16
01110000	13.4	11110000	16
01110001	13.425	11110001	16
01110010	13.45	11110010	16
01110011	13.475	11110011	16
01110100	13.5	11110100	16
01110101	13.525	11110101	16
01110110	13.55	11110110	16
01110111	13.575	11110111	16
01111000	13.6	11111000	16
01111001	13.625	11111001	16
01111010	13.65	11111010	16
01111011	13.675	11111011	16
01111100	13.7	11111100	16
01111101	13.725	11111101	16
01111110	13.75	11111110	16
01111111	13.775	11111111	16

Table 38. LRC ramp time (4 bits) – version B

Ramp time	Seconds	Ramp time	Seconds
0000	0	1000	5.0
0001	0.25	1001	6.0

Ramp time	Seconds	Ramp time	Seconds
0010	0.5	1010	7.0
0011	0.75	1011	8.0
0100	1.0	1100	9.0
0101	2.0	1101	10
0110	3.0	1110	12
0111	4.0	1111	15

Table 39. Excitation current limitation (7 bits) - version B

Irot limit code	Irotor limitation value	Irot limit code	Irotor limitation value
0000000	No limitation/only current protection activated	1000000	6.4
0000001	0.1	1000001	6.5
0000010	0.2	1000010	6.6
0000011	0.3	1000011	6.7
0000100	0.4	1000100	6.8
0000101	0.5	1000101	6.9
0000110	0.6	1000110	7
0000111	0.7	1000111	7.1
0001000	0.8	1001000	7.2
0001001	0.9	1001001	7.3
0001010	1	1001010	7.4
0001011	1.1	1001011	7.5
0001100	1.2	1001100	7.6
0001101	1.3	1001101	7.7
0001110	1.4	1001110	7.8
0001111	1.5	1001111	7.9
0010000	1.6	1010000	8
0010001	1.7	1010001	8.1
0010010	1.8	1010010	8.2
0010011	1.9	1010011	8.3
0010100	2	1010100	8.4
0010101	2.1	1010101	8.5
0010110	2.2	1010110	8.6
0010111	2.3	1010111	8.7
0011000	2.4	1011000	8.8
0011001	2.5	1011001	8.9
0011010	2.6	1011010	9
0011011	2.7	1011011	9.1
0011100	2.8	1011100	9.2
0011101	2.9	1011101	9.3
0011110	3	1011110	9.4

Irot limit code	Irotor limitation value	Irot limit code	Irotor limitation value
0011111	3.1	1011111	9.5
0100000	3.2	1100000	9.6
0100001	3.3	1100001	9.7
0100010	3.4	1100010	9.8
0100011	3.5	1100011	9.9
0100100	3.6	1100100	10
0100101	3.7	1100101	10.1
0100110	3.8	1100110	10.2
0100111	3.9	1100111	10.3
0101000	4	1101000	10.4
0101001	4.1	1101001	10.5
0101010	4.2	1101010	10.6
0101011	4.3	1101011	10.7
0101100	4.4	1101100	10.8
0101101	4.5	1101101	10.9
0101110	4.6	1101110	11
0101111	4.7	1101111	11.1
0110000	4.8	1110000	11.2
0110001	4.9	1110001	11.3
0110010	5	1110010	11.4
0110011	5.1	1110011	11.5
0110100	5.2	1110100	11.6
0110101	5.3	1110101	11.7
0110110	5.4	1110110	11.8
0110111	5.5	1110111	11.9
0111000	5.6	1111000	12
0111001	5.7	1111001	12.1
0111010	5.8	1111010	12.2
0111011	5.9	1111011	12.3
0111100	6	1111100	12.4
0111101	6.1	1111101	12.5
0111110	6.2	1111110	12.6
0111111	6.3	1111111	12.7

Table 40. Duty cycle value (5 bits) - version B

EXC duty cycle	DF (%)	EXC duty cycle	DF (%)
00000	0	10000	51.5
00001	3	10001	55
00010	6.5	10010	58
00011	9.5	10011	61.5

EXC duty cycle	DF (%)	EXC duty cycle	DF (%)
00100	13	10100	64.5
00101	16	10101	67.5
00110	19.5	10110	71
00111	22.5	10111	74
01000	26	11000	77.5
01001	29	11001	80.5
01010	32.5	11010	84
01011	35.5	11011	87
01100	38.5	11100	90.5
01101	42	11101	93.5
01110	45	11110	97
01111	48.5	11111	100

**Table 41. Set point voltage, battery voltage measurement, temperature measurement or alternator speed (8 bits) - version B**

Tx 3 Byte 4	V_B+	Umes	Tchip	n
00000000	10.6	> 8	T < -38 °C	n < 567
00000001	10.625	8.1	-38 °C < T < -34 °C	567
00000010	10.65	8.2	-34 °C < T < -30 °C	569
00000011	10.675	8.3	-30 °C < T < -26 °C	571
00000100	10.7	8.4	-26 °C < T < -22 °C	574
00000101	10.725	8.5	-22 °C < T < -18 °C	576
00000110	10.75	8.6	-18 °C < T < -14 °C	578
00000111	10.775	8.7	-14 °C < T < -10 °C	581
00001000	10.8	8.8	-10 °C < T < -6.0 °C	583
00001001	10.825	8.9	-6.0 °C < T < -2.0 °C	585
00001010	10.85	9	-2.0 °C < T < 2.0 °C	588
00001011	10.875	9.1	2.0 °C < T < 6.0 °C	590
00001100	10.9	9.2	6.0 °C < T < 10 °C	593
00001101	10.925	9.3	10 °C < T < 14 °C	595
00001110	10.95	9.4	14 °C < T < 18 °C	598
00001111	10.975	9.5	18 °C < T < 22 °C	600
00010000	11	9.6	22 °C < T < 26 °C	603
00010001	11.025	9.7	26 °C < T < 30 °C	605
00010010	11.05	9.8	30 °C < T < 34 °C	608
00010011	11.075	9.9	34 °C < T < 38 °C	610
00010100	11.1	10	38 °C < T < 42 °C	613
00010101	11.125	10.1	42 °C < T < 46 °C	615
00010110	11.15	10.2	46 °C < T < 50 °C	618
00010111	11.175	10.3	50 °C < T < 54 °C	621
00011000	11.2	10.4	54 °C < T < 58 °C	623

Tx 3 Byte 4	V_B+	Umes	Tchip	n
00011001	11.225	10.5	58 °C < T < 62 °C	626
00011010	11.25	10.6	62 °C < T < 66 °C	629
00011011	11.275	10.7	66 °C < T < 70 °C	632
00011100	11.3	10.8	70 °C < T < 74 °C	634
00011101	11.325	10.9	74 °C < T < 78 °C	637
00011110	11.35	11	78 °C < T < 82 °C	640
00011111	11.375	11.1	82 °C < T < 86 °C	643
00100000	11.4	11.2	86 °C < T < 90 °C	646
00100001	11.425	11.3	90 °C < T < 94 °C	649
00100010	11.45	11.4	94 °C < T < 98 °C	652
00100011	11.475	11.5	98 °C < T < 102 °C	655
00100100	11.5	11.6	102 °C < T < 106 °C	658
00100101	11.525	11.7	106 °C < T < 110 °C	661
00100110	11.55	11.8	110 °C < T < 114 °C	664
00100111	11.575	11.9	114 °C < T < 118 °C	667
00101000	11.6	12	118 °C < T < 122 °C	670
00101001	11.625	12.1	122 °C < T < 126 °C	673
00101010	11.65	12.2	126 °C < T < 130 °C	676
00101011	11.675	12.3	130 °C < T < 134 °C	679
00101100	11.7	12.4	134 °C < T < 138 °C	682
00101101	11.725	12.5	138 °C < T < 142 °C	686
00101110	11.75	12.6	142 °C < T < 146 °C	689
00101111	11.775	12.7	150 °C < T < 154 °C	692
00110000	11.8	12.8	154 °C < T < 158 °C	696
00110001	11.825	12.9	158 °C < T < 162 °C	699
00110010	11.85	13	162 °C < T < 166 °C	702
00110011	11.875	13.1	166 °C < T < 170 °C	706
00110100	11.9	13.2	170 °C < T < 174 °C	709
00110101	11.925	13.3	174 °C < T < 178 °C	713
00110110	11.95	13.4	178 °C < T < 182 °C	716
00110111	11.975	13.5	182 °C < T < 186 °C	720
00111000	12	13.6	186 °C < T < 190 °C	724
00111001	12.025	13.7	190 °C < T < 194 °C	727
00111010	12.05	13.8	194 °C < T < 198 °C	731
00111011	12.075	13.9	198 °C < T < 200 °C	735
00111100	12.1	14	T > 200 °C	738
00111101	12.125	14.1	T > 200 °C	742
00111110	12.15	14.2	T > 200 °C	746
00111111	12.175	14.3	T > 200 °C	750
01000000	12.2	14.4	T > 200 °C	754
01000001	12.225	14.5	T > 200 °C	758

Tx 3 Byte 4	V_B+	Umes	Tchip	n
01000010	12.25	14.6	T > 200 °C	762
01000011	12.275	14.7	T > 200 °C	766
01000100	12.3	14.8	T > 200 °C	770
01000101	12.325	14.9	T > 200 °C	774
01000110	12.35	15	T > 200 °C	778
01000111	12.375	15.1	T > 200 °C	783
01001000	12.4	15.2	T > 200 °C	787
01001001	12.425	15.3	T > 200 °C	791
01001010	12.45	15.4	T > 200 °C	796
01001011	12.475	15.5	T > 200 °C	800
01001100	12.5	15.6	T > 200 °C	804
01001101	12.525	15.7	T > 200 °C	809
01001110	12.55	15.8	T > 200 °C	814
01001111	12.575	15.9	T > 200 °C	818
01010000	12.6	16	T > 200 °C	823
01010001	12.625	16.1	T > 200 °C	828
01010010	12.65	16.2	T > 200 °C	832
01010011	12.675	16.3	T > 200 °C	837
01010100	12.7	16.4	T > 200 °C	842
01010101	12.725	16.5	T > 200 °C	847
01010110	12.75	16.6	T > 200 °C	852
01010111	12.775	16.7	T > 200 °C	857
01011000	12.8	16.8	T > 200 °C	862
01011001	12.825	16.9	T > 200 °C	867
01011010	12.85	17	T > 200 °C	873
01011011	12.875	17.1	T > 200 °C	878
01011100	12.9	17.2	T > 200 °C	883
01011101	12.925	17.3	T > 200 °C	889
01011110	12.95	17.4	T > 200 °C	894
01011111	12.975	17.5	T > 200 °C	900
01100000	13	17.6	T > 200 °C	906
01100001	13.025	17.7	T > 200 °C	911
01100010	13.05	17.8	T > 200 °C	917
01100011	13.075	17.9	T > 200 °C	923
01100100	13.1	18	T > 200 °C	929
01100101	13.125	18.1	T > 200 °C	935
01100110	13.15	18.2	T > 200 °C	941
01100111	13.175	18.3	T > 200 °C	947
01101000	13.2	18.4	T > 200 °C	954
01101001	13.225	18.5	T > 200 °C	960
01101010	13.25	18.6	T > 200 °C	966



Tx 3 Byte 4	V_B+	Umes	Tchip	n
01101011	13.275	18.7	T > 200 °C	973
01101100	13.3	18.8	T > 200 °C	980
01101101	13.325	18.9	T > 200 °C	986
01101110	13.35	19	T > 200 °C	993
01101111	13.375	19.1	T > 200 °C	1000
01110000	13.4	19.2	T > 200 °C	1007
01110001	13.425	19.3	T > 200 °C	1014
01110010	13.45	19.4	T > 200 °C	1021
01110011	13.475	19.5	T > 200 °C	1029
01110100	13.5	19.6	T > 200 °C	1036
01110101	13.525	19.7	T > 200 °C	1043
01110110	13.55	19.8	T > 200 °C	1051
01110111	13.575	19.9	T > 200 °C	1059
01111000	13.6	20	T > 200 °C	1067
01111001	13.625	20.1	T > 200 °C	1075
01111010	13.65	20.2	T > 200 °C	1083
01111011	13.675	20.3	T > 200 °C	1091
01111100	13.7	20.4	T > 200 °C	1099
01111101	13.725	20.5	T > 200 °C	1108
01111110	13.75	20.6	T > 200 °C	1116
01111111	13.775	20.7	T > 200 °C	1125
10000000	13.8	20.8	T > 200 °C	1134
10000001	13.825	20.9	T > 200 °C	1143
10000010	13.85	21	T > 200 °C	1152
10000011	13.875	21.1	T > 200 °C	1161
10000100	13.9	21.2	T > 200 °C	1171
10000101	13.925	21.3	T > 200 °C	1180
10000110	13.95	21.4	T > 200 °C	1190
10000111	13.975	21.5	T > 200 °C	1200
10001000	14	21.6	T > 200 °C	1210
10001001	14.025	21.7	T > 200 °C	1220
10001010	14.05	21.8	T > 200 °C	1231
10001011	14.075	21.9	T > 200 °C	1241
10001100	14.1	22	T > 200 °C	1252
10001101	14.125	22.1	T > 200 °C	1263
10001110	14.15	22.2	T > 200 °C	1274
10001111	14.175	22.3	T > 200 °C	1286
10010000	14.2	22.4	T > 200 °C	1297
10010001	14.225	22.5	T > 200 °C	1309
10010010	14.25	22.6	T > 200 °C	1321
10010011	14.275	22.7	T > 200 °C	1333

Tx 3 Byte 4	V_B+	Umes	Tchip	n
10010100	14.3	22.8	T > 200 °C	1346
10010101	14.325	22.9	T > 200 °C	1358
10010110	14.35	23	T > 200 °C	1371
10010111	14.375	23.1	T > 200 °C	1385
10011000	14.4	23.2	T > 200 °C	1398
10011001	14.425	23.3	T > 200 °C	1412
10011010	14.45	23.4	T > 200 °C	1426
10011011	14.475	23.5	T > 200 °C	1440
10011100	14.5	23.6	T > 200 °C	1455
10011101	14.525	23.7	T > 200 °C	1469
10011110	14.55	23.8	T > 200 °C	1485
10011111	14.575	23.9	T > 200 °C	1500
10100000	14.6	> 24	T > 200 °C	1516
10100001	14.625	—	T > 200 °C	1532
10100010	14.65	—	T > 200 °C	1548
10100011	14.675	—	T > 200 °C	1565
10100100	14.7	—	T > 200 °C	1582
10100101	14.725	—	T > 200 °C	1600
10100110	14.75	—	T > 200 °C	1618
10100111	14.775	—	T > 200 °C	1636
10101000	14.8	—	T > 200 °C	1655
10101001	14.825	—	T > 200 °C	1674
10101010	14.85	—	T > 200 °C	1694
10101011	14.875	—	T > 200 °C	1714
10101100	14.9	—	T > 200 °C	1735
10101101	14.925	—	T > 200 °C	1756
10101110	14.95	—	T > 200 °C	1778
10101111	14.975	—	T > 200 °C	1800
10110000	15	—	T > 200 °C	1823
10110001	15.025	—	T > 200 °C	1846
10110010	15.05	—	T > 200 °C	1870
10110011	15.075	—	T > 200 °C	1895
10110100	15.1	—	T > 200 °C	1920
10110101	15.125	—	T > 200 °C	1946
10110110	15.15	—	T > 200 °C	1973
10110111	15.175	—	T > 200 °C	2000
10111000	15.2	—	T > 200 °C	2028
10111001	15.225	—	T > 200 °C	2057
10111010	15.25	—	T > 200 °C	2087
10111011	15.275	—	T > 200 °C	2118
10111100	15.3	—	T > 200 °C	2149

Tx 3 Byte 4	V_B+	Umes	Tchip	n
10111101	15.325	—	T > 200 °C	2182
10111110	15.35	—	T > 200 °C	2215
10111111	15.375	—	T > 200 °C	2250
11000000	15.4	—	T > 200 °C	2286
11000001	15.425	—	T > 200 °C	2323
11000010	15.45	—	T > 200 °C	2361
11000011	15.475	—	T > 200 °C	2400
11000100	15.5	—	T > 200 °C	2441
11000101	15.525	—	T > 200 °C	2483
11000110	15.55	—	T > 200 °C	2526
11000111	15.575	—	T > 200 °C	2571
11001000	15.6	—	T > 200 °C	2618
11001001	15.625	—	T > 200 °C	2667
11001010	15.65	—	T > 200 °C	2717
11001011	15.675	—	T > 200 °C	2769
11001100	15.7	—	T > 200 °C	2824
11001101	15.725	—	T > 200 °C	2880
11001110	15.75	—	T > 200 °C	2939
11001111	15.775	—	T > 200 °C	3000
11010000	15.8	—	T > 200 °C	3064
11010001	15.825	—	T > 200 °C	3130
11010010	15.85	—	T > 200 °C	3200
11010011	15.875	—	T > 200 °C	3273
11010100	15.9	—	T > 200 °C	3349
11010101	15.925	—	T > 200 °C	3429
11010110	15.95	—	T > 200 °C	3512
11010111	15.975	—	T > 200 °C	3600
11011000	16	—	T > 200 °C	3692
11011001	16	—	T > 200 °C	3789
11011010	16	—	T > 200 °C	3892
11011011	16	—	T > 200 °C	4000
11011100	16	—	T > 200 °C	4114
11011101	16	—	T > 200 °C	4235
11011110	16	—	T > 200 °C	4364
11011111	16	—	T > 200 °C	4500
11100000	16	—	T > 200 °C	4645
11100001	16	—	T > 200 °C	4800
11100010	16	—	T > 200 °C	4966
11100011	16	—	T > 200 °C	5143
11100100	16	—	T > 200 °C	5333
11100101	16	—	T > 200 °C	5538

Tx 3 Byte 4	V_B+	Umes	Tchip	n
11100110	16	—	T > 200 °C	5760
11100111	16	—	T > 200 °C	6000
11101000	16	—	T > 200 °C	6261
11101001	16	—	T > 200 °C	6545
11101010	16	—	T > 200 °C	6857
11101011	16	—	T > 200 °C	7200
11101100	16	—	T > 200 °C	7579
11101101	16	—	T > 200 °C	8000
11101110	16	—	T > 200 °C	8471
11101111	16	—	T > 200 °C	9000
11110000	16	—	T > 200 °C	9600
11110001	16	—	T > 200 °C	10286
11110010	16	—	T > 200 °C	11077
11110011	16	—	T > 200 °C	12000
11110100	16	—	T > 200 °C	13091
11110101	16	—	T > 200 °C	14400
11110110	16	—	T > 200 °C	16000
11110111	16	—	T > 200 °C	18000
11111000	16	—	T > 200 °C	20571
11111001	16	—	T > 200 °C	—
11111010	16	—	T > 200 °C	—
11111011	16	—	T > 200 °C	—
11111100	16	—	T > 200 °C	—
11111101	16	—	T > 200 °C	—
11111110	16	—	T > 200 °C	—
11111111	16	—	T > 200 °C	—

Table 42. Blind zone (2 bits) - version C

Blind zone	Value
00	0
01	3.125
10	6.25
11	12.5

Table 43. Set point voltage (8 bits) - version C

Voltage code	Voltage value	Voltage code	Voltage value
00000000	10.6	10000000	13.8
00000001	10.625	10000001	13.825
00000010	10.65	10000010	13.85
00000011	10.675	10000011	13.875

Voltage code	Voltage value	Voltage code	Voltage value
00000100	10.7	10000100	13.9
00000101	10.725	10000101	13.925
00000110	10.75	10000110	13.95
00000111	10.775	10000111	13.975
00001000	10.8	10001000	14
00001001	10.825	10001001	14.025
00001010	10.85	10001010	14.05
00001011	10.875	10001011	14.075
00001100	10.9	10001100	14.1
00001101	10.925	10001101	14.125
00001110	10.95	10001110	14.15
00001111	10.975	10001111	14.175
00010000	11	10010000	14.2
00010001	11.025	10010001	14.225
00010010	11.05	10010010	14.25
00010011	11.075	10010011	14.275
00010100	11.1	10010100	14.3
00010101	11.125	10010101	14.325
00010110	11.15	10010110	14.35
00010111	11.175	10010111	14.375
00011000	11.2	10011000	14.4
00011001	11.225	10011001	14.425
00011010	11.25	10011010	14.45
00011011	11.275	10011011	14.475
00011100	11.3	10011100	14.5
00011101	11.325	10011101	14.525
00011110	11.35	10011110	14.55
00011111	11.375	10011111	14.575
00100000	11.4	10100000	14.6
00100001	11.425	10100001	14.625
00100010	11.45	10100010	14.65
00100011	11.475	10100011	14.675
00100100	11.5	10100100	14.7
00100101	11.525	10100101	14.725
00100110	11.55	10100110	14.75
00100111	11.575	10100111	14.775
00101000	11.6	10101000	14.8
00101001	11.625	10101001	14.825
00101010	11.65	10101010	14.85
00101011	11.675	10101011	14.875
00101100	11.7	10101100	14.9

Voltage code	Voltage value	Voltage code	Voltage value
00101101	11.725	10101101	14.925
00101110	11.75	10101110	14.95
00101111	11.775	10101111	14.975
00110000	11.8	10110000	15
00110001	11.825	10110001	15.025
00110010	11.85	10110010	15.05
00110011	11.875	10110011	15.075
00110100	11.9	10110100	15.1
00110101	11.925	10110101	15.125
00110110	11.95	10110110	15.15
00110111	11.975	10110111	15.175
00111000	12	10111000	15.2
00111001	12.025	10111001	15.225
00111010	12.05	10111010	15.25
00111011	12.075	10111011	15.275
00111100	12.1	10111100	15.3
00111101	12.125	10111101	15.325
00111110	12.15	10111110	15.35
00111111	12.175	10111111	15.375
01000000	12.2	11000000	15.4
01000001	12.225	11000001	15.425
01000010	12.25	11000010	15.45
01000011	12.275	11000011	15.475
01000100	12.3	11000100	15.5
01000101	12.325	11000101	15.525
01000110	12.35	11000110	15.55
01000111	12.375	11000111	15.575
01001000	12.4	11001000	15.6
01001001	12.425	11001001	15.625
01001010	12.45	11001010	15.65
01001011	12.475	11001011	15.675
01001100	12.5	11001100	15.7
01001101	12.525	11001101	15.725
01001110	12.55	11001110	15.75
01001111	12.575	11001111	15.775
01010000	12.6	11010000	15.8
01010001	12.625	11010001	15.825
01010010	12.65	11010010	15.85
01010011	12.675	11010011	15.875
01010100	12.7	11010100	15.9
01010101	12.725	11010101	15.925

Voltage code	Voltage value	Voltage code	Voltage value
01010110	12.75	11010110	15.95
01010111	12.775	11010111	15.975
01011000	12.8	11011000	16
01011001	12.825	11011001	16
01011010	12.85	11011010	16
01011011	12.875	11011011	16
01011100	12.9	11011100	16
01011101	12.925	11011101	16
01011110	12.95	11011110	16
01011111	12.975	11011111	16
01100000	13	11100000	16
01100001	13.025	11100001	16
01100010	13.05	11100010	16
01100011	13.075	11100011	16
01100100	13.1	11100100	16
01100101	13.125	11100101	16
01100110	13.15	11100110	16
01100111	13.175	11100111	16
01101000	13.2	11101000	16
01101001	13.225	11101001	16
01101010	13.25	11101010	16
01101011	13.275	11101011	16
01101100	13.3	11101100	16
01101101	13.325	11101101	16
01101110	13.35	11101110	16
01101111	13.375	11101111	16
01110000	13.4	11110000	16
01110001	13.425	11110001	16
01110010	13.45	11110010	16
01110011	13.475	11110011	16
01110100	13.5	11110100	16
01110101	13.525	11110101	16
01110110	13.55	11110110	16
01110111	13.575	11110111	16
01111000	13.6	11111000	16
01111001	13.625	11111001	16
01111010	13.65	11111010	16
01111011	13.675	11111011	16
01111100	13.7	11111100	16
01111101	13.725	11111101	16
01111110	13.75	11111110	16

Voltage code	Voltage value	Voltage code	Voltage value
01111111	13.775	11111111	14.2 V (at 25 °C) with a TC 4.27 mV/°C

Table 44. LRC duration (4 bits) - version C

Ramp time	Seconds	Ramp time	Seconds
0000	0	1000	3.9
0001	0.3	1001	4.8
0010	0.6	1010	5.7
0011	0.9	1011	6.6
0100	1.3	1100	8.4
0101	1.7	1101	10.2
0110	2.1	1110	12.6
0111	3.0	1111	15

Table 45. LRC disable speed (4 bits) - version C

Ramp time	Seconds	Ramp time	Seconds
0000	1440	1000	3620
0001	1620	1001	4060
0010	1810	1010	4550
0011	2030	1011	5110
0100	2280	1100	5730
0101	2560	1101	6430
0110	2870	1110	7200
0111	3220	1111	Always active

Table 46. Excitation current limitation (8 bits) - version C

Current limitation	Value	Current limitation	Value
00000000	Regulator OFF	10000000	5.12
00000001	0.04	10000001	5.16
00000010	0.08	10000010	5.2
00000011	0.12	10000011	5.24
00000100	0.16	10000100	5.28
00000101	0.2	10000101	5.32
00000110	0.24	10000110	5.36
00000111	0.28	10000111	5.4
00001000	0.32	10001000	5.44
00001001	0.36	10001001	5.48
00001010	0.4	10001010	5.52
00001011	0.44	10001011	5.56
00001100	0.48	10001100	5.6



Current limitation	Value	Current limitation	Value
00001101	0.52	10001101	5.64
00001110	0.56	10001110	5.68
00001111	0.6	10001111	5.72
00010000	0.64	10010000	5.76
00010001	0.68	10010001	5.8
00010010	0.72	10010010	5.84
00010011	0.76	10010011	5.88
00010100	0.8	10010100	5.92
00010101	0.84	10010101	5.96
00010110	0.88	10010110	6
00010111	0.92	10010111	6.04
00011000	0.96	10011000	6.08
00011001	1	10011001	6.12
00011010	1.04	10011010	6.16
00011011	1.08	10011011	6.2
00011100	1.12	10011100	6.24
00011101	1.16	10011101	6.28
00011110	1.2	10011110	6.32
00011111	1.24	10011111	6.36
00100000	1.28	10100000	6.4
00100001	1.32	10100001	6.44
00100010	1.36	10100010	6.48
00100011	1.4	10100011	6.52
00100100	1.44	10100100	6.56
00100101	1.48	10100101	6.6
00100110	1.52	10100110	6.64
00100111	1.56	10100111	6.68
00101000	1.6	10101000	6.72
00101001	1.64	10101001	6.76
00101010	1.68	10101010	6.8
00101011	1.72	10101011	6.84
00101100	1.76	10101100	6.88
00101101	1.8	10101101	6.92
00101110	1.84	10101110	6.96
00101111	1.88	10101111	7
00110000	1.92	10110000	7.04
00110001	1.96	10110001	7.08
00110010	2	10110010	7.12
00110011	2.04	10110011	7.16
00110100	2.08	10110100	7.2
00110101	2.12	10110101	7.24

Current limitation	Value	Current limitation	Value
00110110	2.16	10110110	7.28
00110111	2.2	10110111	7.32
00111000	2.24	10111000	7.36
00111001	2.28	10111001	7.4
00111010	2.32	10111010	7.44
00111011	2.36	10111011	7.48
00111100	2.4	10111100	7.52
00111101	2.44	10111101	7.56
00111110	2.48	10111110	7.6
00111111	2.52	10111111	7.64
01000000	2.56	11000000	7.68
01000001	2.6	11000001	7.72
01000010	2.64	11000010	7.76
01000011	2.68	11000011	7.8
01000100	2.72	11000100	7.84
01000101	2.76	11000101	7.88
01000110	2.8	11000110	7.92
01000111	2.84	11000111	7.96
01001000	2.88	11001000	8
01001001	2.92	11001001	8
01001010	2.96	11001010	8
01001011	3	11001011	8
01001100	3.04	11001100	8
01001101	3.08	11001101	8
01001110	3.12	11001110	8
01001111	3.16	11001111	8
01010000	3.2	11010000	8
01010001	3.24	11010001	8
01010010	3.28	11010010	8
01010011	3.32	11010011	8
01010100	3.36	11010100	8
01010101	3.4	11010101	8
01010110	3.44	11010110	8
01010111	3.48	11010111	8
01011000	3.52	11011000	8
01011001	3.56	11011001	8
01011010	3.6	11011010	8
01011011	3.64	11011011	8
01011100	3.68	11011100	8
01011101	3.72	11011101	8
01011110	3.76	11011110	8

Current limitation	Value	Current limitation	Value
01011111	3.8	11011111	8
01100000	3.84	11100000	8
01100001	3.88	11100001	8
01100010	3.92	11100010	8
01100011	3.96	11100011	8
01100100	4	11100100	8
01100101	4.04	11100101	8
01100110	4.08	11100110	8
01100111	4.12	11100111	8
01101000	4.16	11101000	8
01101001	4.2	11101001	8
01101010	4.24	11101010	8
01101011	4.28	11101011	8
01101100	4.32	11101100	8
01101101	4.36	11101101	8
01101110	4.4	11101110	8
01101111	4.44	11101111	8
01110000	4.48	11110000	8
01110001	4.52	11110001	8
01110010	4.56	11110010	8
01110011	4.6	11110011	8
01110100	4.64	11110100	8
01110101	4.68	11110101	8
01110110	4.72	11110110	8
01110111	4.76	11110111	8
01111000	4.8	11111000	8
01111001	4.84	11111001	8
01111010	4.88	11111010	8
01111011	4.92	11111011	8
01111100	4.96	11111100	8
01111101	5	11111101	8
01111110	5.04	11111110	8
01111111	5.08	11111111	8

Table 47. Duty cycle (3 bits) - version C

Controller output	Value	Controller output	Value
000	0 % < PWM < 25 %	100	62.5 % < PWM < 75 %
001	25 % < PWM < 37.5 %	101	75 % < PWM < 87.5 %
010	37.5 % < PWM < 50 %	110	87.5 % < PWM < 100 %
011	50 % < PWM < 62.5 %	111	100 %

Table 48. Duty cycle value (8 bits) - version C

Measured duty cycle	Value	Measured duty cycle	Value
00000000	0.390625	10000000	50.390625
00000001	0.78125	10000001	50.78125
00000010	1.171875	10000010	51.171875
00000011	1.5625	10000011	51.5625
00000100	1.953125	10000100	51.953125
00000101	2.34375	10000101	52.34375
00000110	2.734375	10000110	52.734375
00000111	3.125	10000111	53.125
00001000	3.515625	10001000	53.515625
00001001	3.90625	10001001	53.90625
00001010	4.296875	10001010	54.296875
00001011	4.6875	10001011	54.6875
00001100	5.078125	10001100	55.078125
00001101	5.46875	10001101	55.46875
00001110	5.859375	10001110	55.859375
00001111	6.25	10001111	56.25
00010000	6.640625	10010000	56.640625
00010001	7.03125	10010001	57.03125
00010010	7.421875	10010010	57.421875
00010011	7.8125	10010011	57.8125
00010100	8.203125	10010100	58.203125
00010101	8.59375	10010101	58.59375
00010110	8.984375	10010110	58.984375
00010111	9.375	10010111	59.375
00011000	9.765625	10011000	59.765625
00011001	10.15625	10011001	60.15625
00011010	10.546875	10011010	60.546875
00011011	10.9375	10011011	60.9375
00011100	11.328125	10011100	61.328125
00011101	11.71875	10011101	61.71875
00011110	12.109375	10011110	62.109375
00011111	12.5	10011111	62.5
00100000	12.890625	10100000	62.890625
00100001	13.28125	10100001	63.28125
00100010	13.671875	10100010	63.671875
00100011	14.0625	10100011	64.0625
00100100	14.453125	10100100	64.453125
00100101	14.84375	10100101	64.84375
00100110	15.234375	10100110	65.234375
00100111	15.625	10100111	65.625

Measured duty cycle	Value	Measured duty cycle	Value
00101000	16.015625	10101000	66.015625
00101001	16.40625	10101001	66.40625
00101010	16.796875	10101010	66.796875
00101011	17.1875	10101011	67.1875
00101100	17.578125	10101100	67.578125
00101101	17.96875	10101101	67.96875
00101110	18.359375	10101110	68.359375
00101111	18.75	10101111	68.75
00110000	19.140625	10110000	69.140625
00110001	19.53125	10110001	69.53125
00110010	19.921875	10110010	69.921875
00110011	20.3125	10110011	70.3125
00110100	20.703125	10110100	70.703125
00110101	21.09375	10110101	71.09375
00110110	21.484375	10110110	71.484375
00110111	21.875	10110111	71.875
00111000	22.265625	10111000	72.265625
00111001	22.65625	10111001	72.65625
00111010	23.046875	10111010	73.046875
00111011	23.4375	10111011	73.4375
00111100	23.828125	10111100	73.828125
00111101	24.21875	10111101	74.21875
00111110	24.609375	10111110	74.609375
00111111	25	10111111	75
01000000	25.390625	11000000	75.390625
01000001	25.78125	11000001	75.78125
01000010	26.171875	11000010	76.171875
01000011	26.5625	11000011	76.5625
01000100	26.953125	11000100	76.953125
01000101	27.34375	11000101	77.34375
01000110	27.734375	11000110	77.734375
01000111	28.125	11000111	78.125
01001000	28.515625	11001000	78.515625
01001001	28.90625	11001001	78.90625
01001010	29.296875	11001010	79.296875
01001011	29.6875	11001011	79.6875
01001100	30.078125	11001100	80.078125
01001101	30.46875	11001101	80.46875
01001110	30.859375	11001110	80.859375
01001111	31.25	11001111	81.25
01010000	31.640625	11010000	81.640625

Measured duty cycle	Value	Measured duty cycle	Value
01010001	32.03125	11010001	82.03125
01010010	32.421875	11010010	82.421875
01010011	32.8125	11010011	82.8125
01010100	33.203125	11010100	83.203125
01010101	33.59375	11010101	83.59375
01010110	33.984375	11010110	83.984375
01010111	34.375	11010111	84.375
01011000	34.765625	11011000	84.765625
01011001	35.15625	11011001	85.15625
01011010	35.546875	11011010	85.546875
01011011	35.9375	11011011	85.9375
01011100	36.328125	11011100	86.328125
01011101	36.71875	11011101	86.71875
01011110	37.109375	11011110	87.109375
01011111	37.5	11011111	87.5
01100000	37.890625	11100000	87.890625
01100001	38.28125	11100001	88.28125
01100010	38.671875	11100010	88.671875
01100011	39.0625	11100011	89.0625
01100100	39.453125	11100100	89.453125
01100101	39.84375	11100101	89.84375
01100110	40.234375	11100110	90.234375
01100111	40.625	11100111	90.625
01101000	41.015625	11101000	91.015625
01101001	41.40625	11101001	91.40625
01101010	41.796875	11101010	91.796875
01101011	42.1875	11101011	92.1875
01101100	42.578125	11101100	92.578125
01101101	42.96875	11101101	92.96875
01101110	43.359375	11101110	93.359375
01101111	43.75	11101111	93.75
01110000	44.140625	11110000	94.140625
01110001	44.53125	11110001	94.53125
01110010	44.921875	11110010	94.921875
01110011	45.3125	11110011	95.3125
01110100	45.703125	11110100	95.703125
01110101	46.09375	11110101	96.09375
01110110	46.484375	11110110	96.484375
01110111	46.875	11110111	96.875
01111000	47.265625	11111000	97.265625
01111001	47.65625	11111001	97.65625

Measured duty cycle	Value	Measured duty cycle	Value
01111010	48.046875	11111010	98.046875
01111011	48.4375	11111011	98.4375
01111100	48.828125	11111100	98.828125
01111101	49.21875	11111101	99.21875
01111110	49.609375	11111110	99.609375
01111111	50	11111111	100

Table 49. Excitation current measurement (8 bits) - version C

Measured voltage	Value	Current limitation	Value
00000000	0	10000000	5.12
00000001	0.4	10000001	5.16
00000010	0.08	10000010	5.2
00000011	0.12	10000011	5.24
00000100	0.16	10000100	5.28
00000101	0.2	10000101	5.32
00000110	0.24	10000110	5.36
00000111	0.28	10000111	5.4
00001000	0.32	10001000	5.44
00001001	0.36	10001001	5.48
00001010	0.4	10001010	5.52
00001011	0.44	10001011	5.56
00001100	0.48	10001100	5.6
00001101	0.52	10001101	5.64
00001110	0.56	10001110	5.68
00001111	0.6	10001111	5.72
00010000	0.64	10010000	5.76
00010001	0.68	10010001	5.8
00010010	0.72	10010010	5.84
00010011	0.76	10010011	5.88
00010100	0.8	10010100	5.92
00010101	0.84	10010101	5.96
00010110	0.88	10010110	6
00010111	0.92	10010111	6.04
00011000	0.96	10011000	6.08
00011001	1	10011001	6.12
00011010	1.04	10011010	6.16
00011011	1.08	10011011	6.2
00011100	1.12	10011100	6.24
00011101	1.16	10011101	6.28
00011110	1.2	10011110	6.32

Measured voltage	Value	Current limitation	Value
00011111	1.24	10011111	6.36
00100000	1.28	10100000	6.4
00100001	1.32	10100001	6.44
00100010	1.36	10100010	6.48
00100011	1.4	10100011	6.52
00100100	1.44	10100100	6.56
00100101	1.48	10100101	6.6
00100110	1.52	10100110	6.64
00100111	1.56	10100111	6.68
00101000	1.6	10101000	6.72
00101001	1.64	10101001	6.76
00101010	1.68	10101010	6.8
00101011	1.72	10101011	6.84
00101100	1.76	10101100	6.88
00101101	1.8	10101101	6.92
00101110	1.84	10101110	6.96
00101111	1.88	10101111	7
00110000	1.92	10110000	7.04
00110001	1.96	10110001	7.08
00110010	2	10110010	7.12
00110011	2.04	10110011	7.16
00110100	2.08	10110100	7.2
00110101	2.12	10110101	7.24
00110110	2.16	10110110	7.28
00110111	2.2	10110111	7.32
00111000	2.24	10111000	7.36
00111001	2.28	10111001	7.4
00111010	2.32	10111010	7.44
00111011	2.36	10111011	7.48
00111100	2.4	10111100	7.52
00111101	2.44	10111101	7.56
00111110	2.48	10111110	7.6
00111111	2.52	10111111	7.64
01000000	2.56	11000000	7.68
01000001	2.6	11000001	7.72
01000010	2.64	11000010	7.76
01000011	2.68	11000011	7.8
01000100	2.72	11000100	7.84
01000101	2.76	11000101	7.88
01000110	2.8	11000110	7.92
01000111	2.84	11000111	7.96



Measured voltage	Value	Current limitation	Value
01001000	2.88	11001000	8
01001001	2.92	11001001	8
01001010	2.96	11001010	8
01001011	3	11001011	8
01001100	3.04	11001100	8
01001101	3.08	11001101	8
01001110	3.12	11001110	8
01001111	3.16	11001111	8
01010000	3.2	11010000	8
01010001	3.24	11010001	8
01010010	3.28	11010010	8
01010011	3.32	11010011	8
01010100	3.36	11010100	8
01010101	3.4	11010101	8
01010110	3.44	11010110	8
01010111	3.48	11010111	8
01011000	3.52	11011000	8
01011001	3.56	11011001	8
01011010	3.6	11011010	8
01011011	3.64	11011011	8
01011100	3.68	11011100	8
01011101	3.72	11011101	8
01011110	3.76	11011110	8
01011111	3.8	11011111	8
01100000	3.84	11100000	8
01100001	3.88	11100001	8
01100010	3.92	11100010	8
01100011	3.96	11100011	8
01100100	4	11100100	8
01100101	4.04	11100101	8
01100110	4.08	11100110	8
01100111	4.12	11100111	8
01101000	4.16	11101000	8
01101001	4.2	11101001	8
01101010	4.24	11101010	8
01101011	4.28	11101011	8
01101100	4.32	11101100	8
01101101	4.36	11101101	8
01101110	4.4	11101110	8
01101111	4.44	11101111	8
01110000	4.48	11110000	8

Measured voltage	Value	Current limitation	Value
01110001	4.52	11110001	8
01110010	4.56	11110010	8
01110011	4.6	11110011	8
01110100	4.64	11110100	8
01110101	4.68	11110101	8
01110110	4.72	11110110	8
01110111	4.76	11110111	8
01111000	4.8	11111000	8
01111001	4.84	11111001	8
01111010	4.88	11111010	8
01111011	4.92	11111011	8
01111100	4.96	11111100	8
01111101	5	11111101	8
01111110	5.04	11111110	8
01111111	5.08	11111111	8

Table 50. Battery voltage measurement (8 bits) - version C

Measured voltage	Value	Current limitation	Value
00000000	9	10000000	15.4
00000001	9.05	10000001	15.45
00000010	9.1	10000010	15.5
00000011	9.15	10000011	15.55
00000100	9.2	10000100	15.6
00000101	9.25	10000101	15.65
00000110	9.3	10000110	15.7
00000111	9.35	10000111	15.75
00001000	9.4	10001000	15.8
00001001	9.45	10001001	15.85
00001010	9.5	10001010	15.9
00001011	9.55	10001011	15.95
00001100	9.6	10001100	16
00001101	9.65	10001101	16.05
00001110	9.7	10001110	16.1
00001111	9.75	10001111	16.15
00010000	9.8	10010000	16.2
00010001	9.85	10010001	16.25
00010010	9.9	10010010	16.3
00010011	9.95	10010011	16.35
00010100	10	10010100	16.4
00010101	10.05	10010101	16.45

Measured voltage	Value	Current limitation	Value
00010110	10.1	10010110	16.5
00010111	10.15	10010111	16.55
00011000	10.2	10011000	16.6
00011001	10.25	10011001	16.65
00011010	10.3	10011010	16.7
00011011	10.35	10011011	16.75
00011100	10.4	10011100	16.8
00011101	10.45	10011101	16.85
00011110	10.5	10011110	16.9
00011111	10.55	10011111	16.95
00100000	10.6	10100000	17
00100001	10.65	10100001	17.05
00100010	10.7	10100010	17.1
00100011	10.75	10100011	17.15
00100100	10.8	10100100	17.2
00100101	10.85	10100101	17.25
00100110	10.9	10100110	17.3
00100111	10.95	10100111	17.35
00101000	11	10101000	17.4
00101001	11.05	10101001	17.45
00101010	11.1	10101010	17.5
00101011	11.15	10101011	17.55
00101100	11.2	10101100	17.6
00101101	11.25	10101101	17.65
00101110	11.3	10101110	17.7
00101111	11.35	10101111	17.75
00110000	11.4	10110000	17.8
00110001	11.45	10110001	17.85
00110010	11.5	10110010	17.9
00110011	11.55	10110011	17.95
00110100	11.6	10110100	18
00110101	11.65	10110101	18
00110110	11.7	10110110	18
00110111	11.75	10110111	18
00111000	11.8	10111000	18
00111001	11.85	10111001	18
00111010	11.9	10111010	18
00111011	11.95	10111011	18
00111100	12	10111100	18
00111101	12.05	10111101	18
00111110	12.1	10111110	18

Measured voltage	Value	Current limitation	Value
00111111	12.15	10111111	18
01000000	12.2	11000000	18
01000001	12.25	11000001	18
01000010	12.3	11000010	18
01000011	12.35	11000011	18
01000100	12.4	11000100	18
01000101	12.45	11000101	18
01000110	12.5	11000110	18
01000111	12.55	11000111	18
01001000	12.6	11001000	18
01001001	12.65	11001001	18
01001010	12.7	11001010	18
01001011	12.75	11001011	18
01001100	12.8	11001100	18
01001101	12.85	11001101	18
01001110	12.9	11001110	18
01001111	12.95	11001111	18
01010000	13	11010000	18
01010001	13.05	11010001	18
01010010	13.1	11010010	18
01010011	13.15	11010011	18
01010100	13.2	11010100	18
01010101	13.25	11010101	18
01010110	13.3	11010110	18
01010111	13.35	11010111	18
01011000	13.4	11011000	18
01011001	13.45	11011001	18
01011010	13.5	11011010	18
01011011	13.55	11011011	18
01011100	13.6	11011100	18
01011101	13.65	11011101	18
01011110	13.7	11011110	18
01011111	13.75	11011111	18
01100000	13.8	11100000	18
01100001	13.85	11100001	18
01100010	13.9	11100010	18
01100011	13.95	11100011	18
01100100	14	11100100	18
01100101	14.05	11100101	18
01100110	14.1	11100110	18
01100111	14.15	11100111	18

Measured voltage	Value	Current limitation	Value
01101000	14.2	11101000	18
01101001	14.25	11101001	18
01101010	14.3	11101010	18
01101011	14.35	11101011	18
01101100	14.4	11101100	18
01101101	14.45	11101101	18
01101110	14.5	11101110	18
01101111	14.55	11101111	18
01110000	14.6	11110000	18
01110001	14.65	11110001	18
01110010	14.7	11110010	18
01110011	14.75	11110011	18
01110100	14.8	11110100	18
01110101	14.85	11110101	18
01110110	14.9	11110110	18
01110111	14.95	11110111	18
01111000	15	11111000	18
01111001	15.05	11111001	18
01111010	15.1	11111010	18
01111011	15.15	11111011	18
01111100	15.2	11111100	18
01111101	15.25	11111101	18
01111110	15.3	11111110	18
01111111	15.35	11111111	18

Table 51. Temperature measurement (8 bits) - version C

Measured T °C	Value	Measured T °C	Value
00000000	-40	10000000	87
00000001	-39	10000001	88
00000010	-38	10000010	89
00000011	-37	10000011	90
00000100	-36	10000100	91
00000101	-35	10000101	92
00000110	-34	10000110	93
00000111	-33	10000111	94
00001000	-32	10001000	95
00001001	-31	10001001	96
00001010	-30	10001010	97
00001011	-29	10001011	98
00001100	-28	10001100	99

Measured T °C	Value	Measured T °C	Value
00001101	-27	10001101	100
00001110	-26	10001110	101
00001111	-25	10001111	102
00010000	-24	10010000	103
00010001	-23	10010001	104
00010010	-22	10010010	105
00010011	-21	10010011	106
00010100	-20	10010100	107
00010101	-19	10010101	108
00010110	-18	10010110	109
00010111	-17	10010111	110
00011000	-16	10011000	111
00011001	-15	10011001	112
00011010	-14	10011010	113
00011011	-13	10011011	114
00011100	-12	10011100	115
00011101	-11	10011101	116
00011110	-10	10011110	117
00011111	-9	10011111	118
00100000	-8	10100000	119
00100001	-7	10100001	120
00100010	-6	10100010	121
00100011	-5	10100011	122
00100100	-4	10100100	123
00100101	-3	10100101	124
00100110	-2	10100110	125
00100111	-1	10100111	126
00101000	0	10101000	127
00101001	1	10101001	128
00101010	2	10101010	129
00101011	3	10101011	130
00101100	4	10101100	131
00101101	5	10101101	132
00101110	6	10101110	133
00101111	7	10101111	134
00110000	8	10110000	135
00110001	9	10110001	136
00110010	10	10110010	137
00110011	11	10110011	138
00110100	12	10110100	139
00110101	13	10110101	140

Measured T °C	Value	Measured T °C	Value
00110110	14	10110110	141
00110111	15	10110111	142
00111000	16	10111000	143
00111001	17	10111001	144
00111010	18	10111010	145
00111011	19	10111011	146
00111100	20	10111100	147
00111101	21	10111101	148
00111110	22	10111110	149
00111111	23	10111111	150
01000000	24	11000000	151
01000001	25	11000001	152
01000010	26	11000010	153
01000011	27	11000011	154
01000100	28	11000100	155
01000101	29	11000101	156
01000110	30	11000110	157
01000111	31	11000111	158
01001000	32	11001000	159
01001001	33	11001001	160
01001010	34	11001010	161
01001011	35	11001011	162
01001100	36	11001100	163
01001101	37	11001101	164
01001110	38	11001110	165
01001111	39	11001111	166
01010000	40	11010000	167
01010001	41	11010001	168
01010010	42	11010010	169
01010011	43	11010011	170
01010100	44	11010100	171
01010101	45	11010101	172
01010110	46	11010110	173
01010111	47	11010111	174
01011000	48	11011000	175
01011001	49	11011001	176
01011010	50	11011010	177
01011011	51	11011011	178
01011100	52	11011100	179
01011101	53	11011101	180
01011110	54	11011110	181

Measured T °C	Value	Measured T °C	Value
01011111	55	11011111	182
01100000	56	11100000	183
01100001	57	11100001	184
01100010	58	11100010	185
01100011	59	11100011	186
01100100	60	11100100	187
01100101	61	11100101	188
01100110	62	11100110	189
01100111	63	11100111	190
01101000	64	11101000	191
01101001	65	11101001	192
01101010	66	11101010	193
01101011	67	11101011	194
01101100	68	11101100	195
01101101	69	11101101	196
01101110	70	11101110	197
01101111	71	11101111	198
01110000	72	11110000	199
01110001	73	11110001	200
01110010	74	11110010	> 200
01110011	75	11110011	> 200
01110100	76	11110100	> 200
01110101	77	11110101	> 200
01110110	78	11110110	> 200
01110111	79	11110111	> 200
01111000	80	11111000	> 200
01111001	81	11111001	> 200
01111010	82	11111010	> 200
01111011	83	11111011	> 200
01111100	84	11111100	> 200
01111101	85	11111101	> 200
01111110	86	11111110	> 200
01111111	87	11111111	> 200

Table 52. Duty cycle of controller output (8 bits) - version C

Controller output	Value	Controller output	Value
000	0 % < PWM < 25 %	100	62.5 % < PWM < 75 %
001	25 % < PWM < 37.5 %	101	75 % < PWM < 87.5 %
010	37.5 % < PWM < 50 %	110	87.5 % < PWM < 100 %
011	50 % < PWM < 62.5 %	111	100 %



Table 53. Duty cycle value (5 bits) - version D

Exc duty cycle	Df (%)	Exc duty cycle	Df (%)
00000	0 < DF < 3.125	10000	50 < DF < 53.125
00001	3.125 < DF < 6.25	10001	53.125 < DF < 56.25
00010	6.25 < DF < 9.375	10010	56.25 < DF < 59.375
00011	9.375 < DF < 12.5	10011	59.375 < DF < 62.5
00100	12.5 < DF < 15.625	10100	62.5 < DF < 65.625
00101	15.625 < DF < 18.75	10101	65.625 < DF < 68.75
00110	18.75 < DF < 21.875	10110	68.75 < DF < 71.875
00111	21.875 < DF < 25	10111	71.875 < DF < 75
01000	25 < DF < 28.125	11000	75 < DF < 78.125
01001	28.125 < DF < 31.25	11001	78.125 < DF < 81.25
01010	31.25 < DF < 34.375	11010	81.25 < DF < 84.375
01011	34.375 < DF < 37.5	11011	84.375 < DF < 87.5
01100	37.5 < DF < 40.625	11100	87.5 < DF < 90.625
01101	40.625 < DF < 43.75	11101	90.625 < DF < 93.75
01110	43.75 < DF < 46.875	11110	93.75 < DF < 96.875
01111	46.875 < DF < 50	11111	96.875 < DF < 100

Table 54. Temperature measurement (6 bits) - version D

T °C code	Temperature	T °C code	Temperature
00000000	-40	10000000	72
00000001	-36.5	10000001	75.5
00000010	-33	10000010	79
00000011	-29.5	10000011	82.5
00000100	-26	10000100	86
00000101	-22.5	10000101	89.5
00000110	-19	10000110	93
00000111	-15.5	10000111	96.5
00001000	-12	10001000	100
00001001	-8.5	10001001	103.5
00001010	-5	10001010	107
00001011	-1.5	10001011	110.5
00001100	2.0	10001100	114
00001101	5.5	10001101	117.5
00001110	9.0	10001110	121
00001111	12.5	10001111	124.5
00010000	16	10010000	128
00010001	19.5	10010001	131.5
00010010	23	10010010	135
00010011	26.5	10010011	138.5
00010100	30	10010100	142

T °C code	Temperature	T °C code	Temperature
00010101	33.5	10010101	145.5
00010110	37	10010110	149
00010111	40.5	10010111	152.5
00011000	44	10011000	156
00011001	47.5	10011001	159.5
00011010	51	10011010	163
00011011	54.5	10011011	166.5
00011100	58	10011100	170
00011101	61.5	10011101	173.5
00011110	65	10011110	177
00011111	68.5	10011111	180.5

Table 55. Duty cycle value (5 bits)- version E

Exc duty cycle	Df (%)	Exc duty cycle	Df (%)
00000	0	10000	51.5
00001	3	10001	55
00010	6.5	10010	58
00011	9.5	10011	61.5
00100	13	10100	64.5
00101	16	10101	67.5
00110	19.5	10110	71
00111	22.5	10111	74
01000	26	11000	77.5
01001	29	11001	80.5
01010	32.5	11010	84
01011	35.5	11011	87
01100	38.5	11100	90.5
01101	42	11101	93.5
01110	45	11110	97
01111	48.5	11111	100

Table 56. Excitation current limitation (8 bits) - version E

Current rotor	Value	Current rotor	Value
00000000	Regulator OFF	10000000	5.12
00000001	0.04	10000001	5.16
00000010	0.08	10000010	5.2
00000011	0.12	10000011	5.24
00000100	0.16	10000100	5.28
00000101	0.2	10000101	5.32
00000110	0.24	10000110	5.36

Current rotor	Value	Current rotor	Value
00000111	0.28	10000111	5.4
00001000	0.32	10001000	5.44
00001001	0.36	10001001	5.48
00001010	0.4	10001010	5.52
00001011	0.44	10001011	5.56
00001100	0.48	10001100	5.6
00001101	0.52	10001101	5.64
00001110	0.56	10001110	5.68
00001111	0.6	10001111	5.72
00010000	0.64	10010000	5.76
00010001	0.68	10010001	5.8
00010010	0.72	10010010	5.84
00010011	0.76	10010011	5.88
00010100	0.8	10010100	5.92
00010101	0.84	10010101	5.96
00010110	0.88	10010110	6
00010111	0.92	10010111	6.04
00011000	0.96	10011000	6.08
00011001	1	10011001	6.12
00011010	1.04	10011010	6.16
00011011	1.08	10011011	6.2
00011100	1.12	10011100	6.24
00011101	1.16	10011101	6.28
00011110	1.2	10011110	6.32
00011111	1.24	10011111	6.36
00100000	1.28	10100000	6.4
00100001	1.32	10100001	6.44
00100010	1.36	10100010	6.48
00100011	1.4	10100011	6.52
00100100	1.44	10100100	6.56
00100101	1.48	10100101	6.6
00100110	1.52	10100110	6.64
00100111	1.56	10100111	6.68
00101000	1.6	10101000	6.72
00101001	1.64	10101001	6.76
00101010	1.68	10101010	6.8
00101011	1.72	10101011	6.84
00101100	1.76	10101100	6.88
00101101	1.8	10101101	6.92
00101110	1.84	10101110	6.96
00101111	1.88	10101111	7

Current rotor	Value	Current rotor	Value
00110000	1.92	10110000	7.04
00110001	1.96	10110001	7.08
00110010	2	10110010	7.12
00110011	2.04	10110011	7.16
00110100	2.08	10110100	7.2
00110101	2.12	10110101	7.24
00110110	2.16	10110110	7.28
00110111	2.2	10110111	7.32
00111000	2.24	10111000	7.36
00111001	2.28	10111001	7.4
00111010	2.32	10111010	7.44
00111011	2.36	10111011	7.48
00111100	2.4	10111100	7.52
00111101	2.44	10111101	7.56
00111110	2.48	10111110	7.6
00111111	2.52	10111111	7.64
01000000	2.56	11000000	7.68
01000001	2.6	11000001	7.72
01000010	2.64	11000010	7.76
01000011	2.68	11000011	7.8
01000100	2.72	11000100	7.84
01000101	2.76	11000101	7.88
01000110	2.8	11000110	7.92
01000111	2.84	11000111	7.96
01001000	2.88	11001000	8
01001001	2.92	11001001	8.04
01001010	2.96	11001010	8.08
01001011	3	11001011	8.12
01001100	3.04	11001100	8.16
01001101	3.08	11001101	8.2
01001110	3.12	11001110	8.24
01001111	3.16	11001111	8.28
01010000	3.2	11010000	8.32
01010001	3.24	11010001	8.36
01010010	3.28	11010010	8.4
01010011	3.32	11010011	8.44
01010100	3.36	11010100	8.48
01010101	3.4	11010101	8.52
01010110	3.44	11010110	8.56
01010111	3.48	11010111	8.6
01011000	3.52	11011000	8.64

Current rotor	Value	Current rotor	Value
01011001	3.56	11011001	8.68
01011010	3.6	11011010	8.72
01011011	3.64	11011011	8.76
01011100	3.68	11011100	8.8
01011101	3.72	11011101	8.84
01011110	3.76	11011110	8.88
01011111	3.8	11011111	8.92
01100000	3.84	11100000	8.96
01100001	3.88	11100001	9
01100010	3.92	11100010	9.04
01100011	3.96	11100011	9.08
01100100	4	11100100	9.12
01100101	4.04	11100101	9.16
01100110	4.08	11100110	9.2
01100111	4.12	11100111	9.24
01101000	4.16	11101000	9.28
01101001	4.2	11101001	9.32
01101010	4.24	11101010	9.36
01101011	4.28	11101011	9.4
01101100	4.32	11101100	9.44
01101101	4.36	11101101	9.48
01101110	4.4	11101110	9.52
01101111	4.44	11101111	9.56
01110000	4.48	11110000	9.6
01110001	4.52	11110001	9.64
01110010	4.56	11110010	9.68
01110011	4.6	11110011	9.72
01110100	4.64	11110100	9.76
01110101	4.68	11110101	9.8
01110110	4.72	11110110	9.84
01110111	4.76	11110111	9.88
01111000	4.8	11111000	9.92
01111001	4.84	11111001	9.96
01111010	4.88	11111010	10
01111011	4.92	11111011	10.04
01111100	4.96	11111100	10.08
01111101	5	11111101	10.12
01111110	5.04	11111110	10.16
01111111	5.08	11111111	10.2

Table 57. Regulator temperature (8 bits) - version E

Chip temperature	Value	Chip temperature	Value
00000000	-40	10000000	88
00000001	-39	10000001	89
00000010	-38	10000010	90
00000011	-37	10000011	91
00000100	-36	10000100	92
00000101	-35	10000101	93
00000110	-34	10000110	94
00000111	-33	10000111	95
00001000	-32	10001000	96
00001001	-31	10001001	97
00001010	-30	10001010	98
00001011	-29	10001011	99
00001100	-28	10001100	100
00001101	-27	10001101	101
00001110	-26	10001110	102
00001111	-25	10001111	103
00010000	-24	10010000	104
00010001	-23	10010001	105
00010010	-22	10010010	106
00010011	-21	10010011	107
00010100	-20	10010100	108
00010101	-19	10010101	109
00010110	-18	10010110	110
00010111	-17	10010111	111
00011000	-16	10011000	112
00011001	-15	10011001	113
00011010	-14	10011010	114
00011011	-13	10011011	115
00011100	-12	10011100	116
00011101	-11	10011101	117
00011110	-10	10011110	118
00011111	-9	10011111	119
00100000	-8	10100000	120
00100001	-7	10100001	121
00100010	-6	10100010	122
00100011	-5	10100011	123
00100100	-4	10100100	124
00100101	-3	10100101	125
00100110	-2	10100110	126
00100111	-1	10100111	127

Chip temperature	Value	Chip temperature	Value
00101000	0	10101000	128
00101001	1	10101001	129
00101010	2	10101010	130
00101011	3	10101011	131
00101100	4	10101100	132
00101101	5	10101101	133
00101110	6	10101110	134
00101111	7	10101111	135
00110000	8	10110000	136
00110001	9	10110001	137
00110010	10	10110010	138
00110011	11	10110011	139
00110100	12	10110100	140
00110101	13	10110101	141
00110110	14	10110110	142
00110111	15	10110111	143
00111000	16	10111000	144
00111001	17	10111001	145
00111010	18	10111010	146
00111011	19	10111011	147
00111100	20	10111100	148
00111101	21	10111101	149
00111110	22	10111110	150
00111111	23	10111111	151
01000000	24	11000000	152
01000001	25	11000001	153
01000010	26	11000010	154
01000011	27	11000011	155
01000100	28	11000100	156
01000101	29	11000101	157
01000110	30	11000110	158
01000111	31	11000111	159
01001000	32	11001000	160
01001001	33	11001001	161
01001010	34	11001010	162
01001011	35	11001011	163
01001100	36	11001100	164
01001101	37	11001101	165
01001110	38	11001110	166
01001111	39	11001111	167
01010000	40	11010000	168

Chip temperature	Value	Chip temperature	Value
01010001	41	11010001	169
01010010	42	11010010	170
01010011	43	11010011	171
01010100	44	11010100	172
01010101	45	11010101	173
01010110	46	11010110	174
01010111	47	11010111	175
01011000	48	11011000	176
01011001	49	11011001	177
01011010	50	11011010	178
01011011	51	11011011	179
01011100	52	11011100	180
01011101	53	11011101	181
01011110	54	11011110	182
01011111	55	11011111	183
01100000	56	11100000	184
01100001	57	11100001	185
01100010	58	11100010	186
01100011	59	11100011	187
01100100	60	11100100	188
01100101	61	11100101	189
01100110	62	11100110	190
01100111	63	11100111	191
01101000	64	11101000	192
01101001	65	11101001	193
01101010	66	11101010	194
01101011	67	11101011	195
01101100	68	11101100	196
01101101	69	11101101	197
01101110	70	11101110	198
01101111	71	11101111	199
01110000	72	11110000	200
01110001	73	11110001	200
01110010	74	11110010	200
01110011	75	11110011	200
01110100	76	11110100	200
01110101	77	11110101	200
01110110	78	11110110	200
01110111	79	11110111	200
01111000	80	11111000	200
01111001	81	11111001	200



Chip temperature	Value	Chip temperature	Value
01111010	82	11111010	200
01111011	83	11111011	200
01111100	84	11111100	200
01111101	85	11111101	200
01111110	86	11111110	200
01111111	87	11111111	200

### 13 Logic commands and registers

This IC is One Time Programmable (OTP), during final test at NXP or by the customer on end of line test. The OTP Programmable Options table ([Table 58](#)) describes the programmable functions that are selectable by customer. Programming (fusing) is performed in one time either by the supplier (at probe test) or by the customer (end of line).

**Table 58. OTP programmable options**

Function	OTP Bits	Comments
LIN frame configuration	4	See description in <a href="#">Section 11.1 "LIN frames"</a>
LIN protocol	2	LIN1.3 or LIN 2.1 with assign frame ID service disabled or LIN 2.1 with assign frame ID service enabled
Specific bit for LIN Version B (LRC and I <sub>EXC</sub> flags)	1	Enabled or disabled
Default regulation voltage	3	13.5, 13.7, 14.0, 14.1, 14.3, 14.5, 14.7 or 14.9 V (±100 mV at 25 °C)
Excitation duty cycle Filter mode in phase regulation	2	Regulation duty cycle, Pre-excitation duty cycle, 0% duty cycle or real duty cycle
Maximum On time for phase regulation	2	27, 45, 100, 155 ms (±5.0 %)
Pre-excitation duty cycle	3	5, 7.5, 10, 12.5, 15, 17.5, 20, 25 % (±1.0 %)
Pre-excitation behavior		Two options are selectable (described in <a href="#">Section 14.3 "Pre-exc"</a> )
Filter frequency of reported battery voltage measurement	2	0, 1, 5 or 10 Hz (±5.0 %)
Filter frequency of reported duty cycle report (DF)	2	0, 1, 5 or 10 Hz (±5.0%)
Filter Frequency of reported excitation current measurement	2	0, 1, 5 or 10 Hz (±5.0%)
Default LRC disable speed	2	3000, 4000, 4800 and 6000 RPM (±10 %)
Default LRC duration	3	1, 2, 3, 4, 5, 6, 7 or 8 seconds (± 10 %)
LRC after priority charge	1	Enabled or disabled (behavior described in <a href="#">Section 18 "Operation voltage - priority charge function"</a> )
Default LRC return duration	2	0.5, 1, 1.5 or 2 seconds (±10 %) (behavior described in <a href="#">Section 17 "Return LRC"</a> )
Alternator pole pairs	2	5, 6, 7 or 8
Self-start speed threshold	2	2000, 3000, 4000 or 5000 RPM (±10 %)
Bus Inactivity or data corruption timeout	1	3 or 10 seconds
Excitation OFF for V <sub>SET</sub> = 10.6 V	1	Enabled or disabled
Excitation short-circuit threshold (at 25 °C)	2	9, 10, 11 or 12 A (±1.0 A)

Function	OTP Bits	Comments
Electrical flag in case of undervoltage	1	Flag = 1 if priority charge function is activated for more than $T_{DETECT}$ OR $V_{SET} > V_{BAT}$ Flag = 0 if $V_{SET} > V_{BAT}$
Mechanical flag configuration	1	Flag = 1 in PreExc mode or Flag = 0 if PreExc mode and $10.6\text{ V} < V_{SET} < V_{B+A}$
Overvoltage fault flag	1	Enabled or disabled
Low-voltage threshold	2	8.75, 9.25, 9.75 or 10.25 V ( $\pm 200\text{ mV}$ )
Thermal compensation threshold	3	125, 130, 135, 140, 145, 150, 155 or 160 °C ( $\pm 10\text{ }^{\circ}\text{C}$ )
Thermal compensation temperature gradient	3	-50, -100, -200, -300, -400, -350 or -400 mV/°C ( $\pm 10\%$ )
Fault deglitching time	2	50, 250, 400 or 1000 ms ( $\pm 10\%$ )
Blind zone default value	2	0, 3.25, 6 or 12 % ( $\pm 1.0\%$ )
Blind zone inhibition	1	Enabled or disabled
Alternator supplier and class	3+5	Alternator information

## 14 State machine

The following figure describes the state machine of the AR6000.

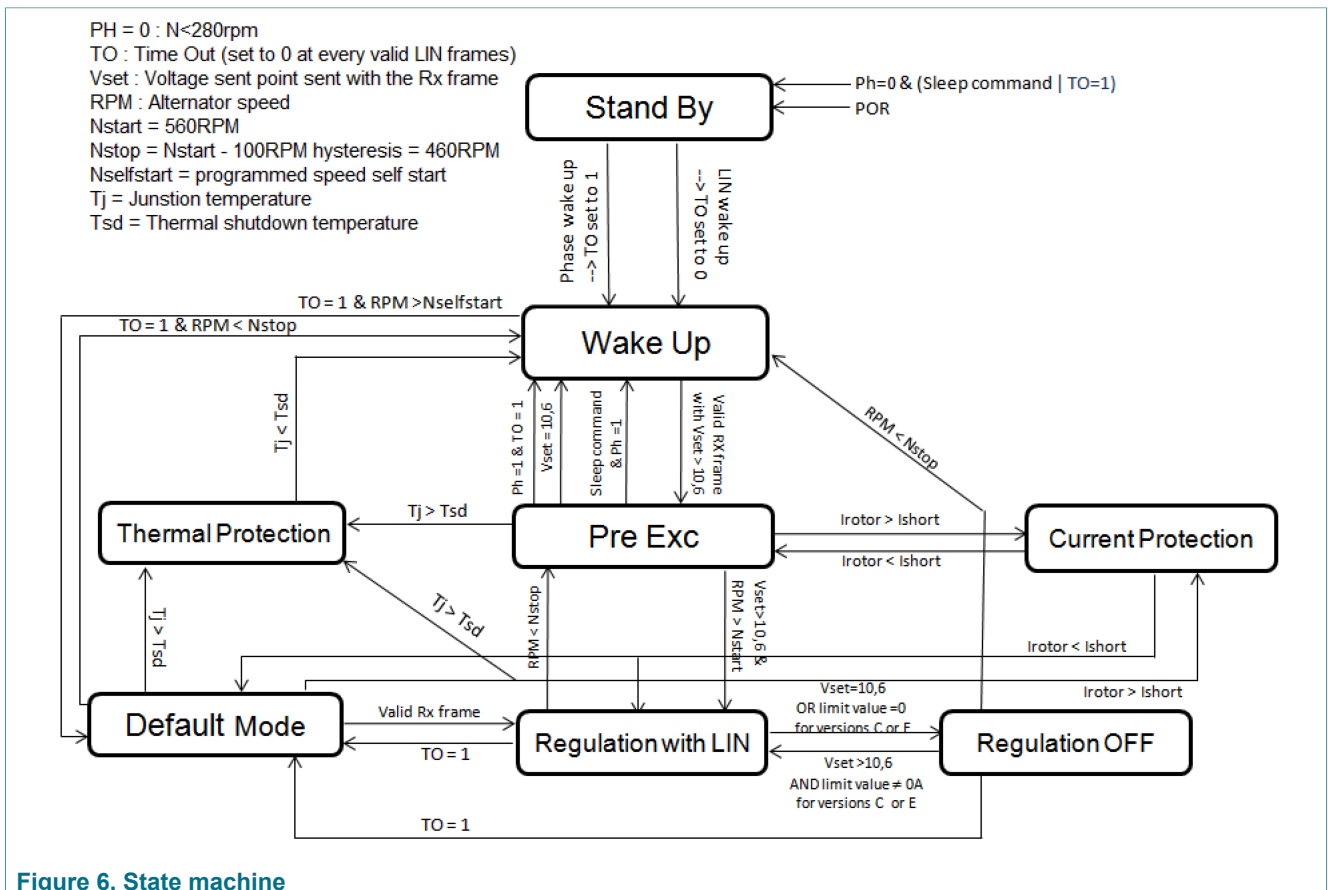


Figure 6. State machine

### 14.1 Standby

The AR6000 is in stand-by mode, if there is a LIN timeout and when alternator is not in rotation (no phase), or in case of power and reset (POR), or with a sleep command without phase activity.

- There is no excitation

- The duty cycle (DC) is equal to zero

The device needs only a small amount of quiescent current to supply logic, phase detector and LIN receiver.

LIN timeout means no valid LIN Frame on the LIN bus during 3.0 s or 10 s (according to configuration).

## 14.2 Wake-up

This state is reached when a transition is detected on the communication interface or when phase voltage is detected.

- The logic is on and internal clock is available
- All the blocks are on
- There is no regulation. DC = 0%

After a LIN timeout, if no valid instruction is decoded, the device goes back into Standby mode.

## 14.3 Pre-exc

The pre-excitation state is reached as soon as a valid instruction for the regulated value ( $V_{REG}$ ), different from 10.6 V, is decoded.

The purpose of pre-excitation is to increase the alternator magnetization, to guarantee a minimum phase voltage for rotor speed measurement.

The pre-excitation stays active until the detection of phase starts regulating RPM ( $N_{START}$ ).

There are two types of pre-excitation (selectable by the OTP fuse):

Pre-exc 1:

- If  $V_{SET} < V_{BAT}$  or if  $V_{SET} > V_{BAT}$  in the conditions previously described to enter pre-excitation, the regulator has pre-excitation duty cycle until  $N_{START}$  is reached.

Pre-exc 2:

- If  $V_{SET} < V_{BAT}$  in the conditions previously described to enter pre-excitation, the regulator has pre-excitation duty cycle until  $N_{START}$  is reached. Excitation limitation is active and current limitation is set to 1.0 A.
- If  $V_{SET} > V_{BAT}$  in the conditions previously described to enter pre-excitation, the regulator duty cycle goes to 100 % until  $N_{START}$  is reached. Excitation limitation and LRC are active if requested by LIN in this pre-excitation type.

## 14.4 Regulation with LIN

In this mode, the AR6000 regulates the alternator output to the set reference level. The excitation is controlled by LRC if this LRC mode is active, until speed reaches LRC ramp time value set by LIN.

## 14.5 Default mode

This mode is equivalent to the “Regulation with LIN” mode except that the default parameters ( $V_{REG}$ , LRC rate,  $LRC_{DISF}$ ,...) are used for regulation, as there is no LIN communication. These parameters are programmed at the end of line testing.

When there is no valid frame for more than LIN time out, regulation voltage target transitions to default  $V_{REG}$  with a ramp of 0.2 V/s (+/- 10%) and excitation limitation value

transitions to “no limitation” (equivalent to a 12.7 A limitation value) with a ramp of 0.375 A/s (+/- 10%).

If communication resumes with RX frames, regulation voltage target and current limitation changes with no delay to their respective values set by LIN.

## 15 Phase regulation

This function avoids losing phase signal amplitude for proper regulation when the voltage in the board harness is higher than the set point value (case of load shedding, or set point below battery voltage).

The regulator monitors the voltage levels of the phase signal and checks if the phase oscillates between  $V_{TH\_L}$  and  $V_{TH\_H}$ , ensuring phase amplitude is sufficient for regulation. Phase failure is detected if there is no PhaseOK rising edge for more than 30 ms. In this case the phase regulation is started.

The phase regulation function is performed by applying 100 % duty cycle current to the rotor, so the phase amplitude can build up. This 100 % duty cycle is stopped, either when the rising edge of PhaseOK is present again, or when the maximum duration of phase regulation is reached (this timing is determined by programming the  $t_{ONBOOST}$  parameter, max ON time for phase boost).

If the PhaseOK signal recovers then fails again before the end of  $t_{ONBOOST}$  timer, another  $t_{ONBOOST}$  time is initiated.

If the phase is still not OK after  $t_{ONBOOST}$ , the device goes back to regulation mode and starts a 300 ms ‘failure’ timer. When this 300 ms timer has elapsed, if there is still no PhaseOK rising edge for the next 30 ms, the phase boost function is active again for a maximum duration of  $t_{ONBOOST}$ . The number of retries is not limited.

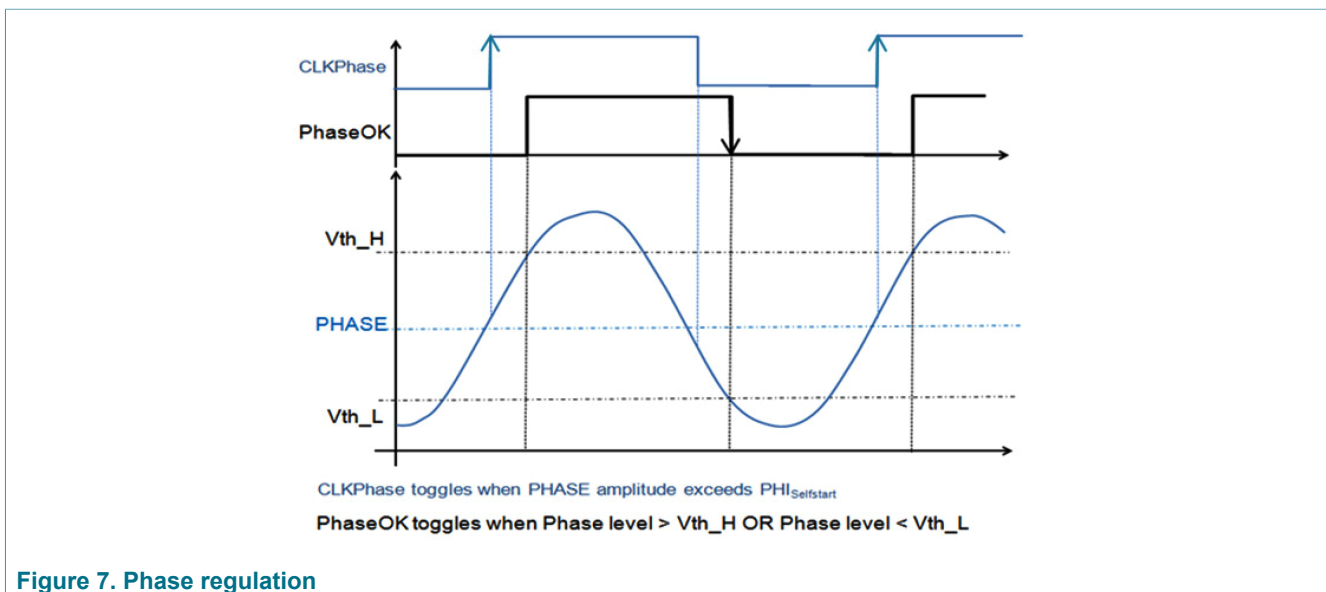


Figure 7. Phase regulation

There are two different values for CLKPhase signal detection, according to regulator mode:

Table 59. CLKPhase detection threshold voltage

Mode	Description	Min.	Typ.	Max.	Unit
$\Phi_{\text{START1}}$	Minimum peak to peak phase voltage in standby/wake up/default mode	150	200	250	mV

Mode	Description	Min.	Typ.	Max.	Unit
$\Phi_{START2}$	Minimum peak to peak phase processor in pre-excitation/regulation mode	700	800	900	mV

Threshold values for PhaseOK signal are as follows:

Table 60. PHASEOK detection threshold voltage

Data	Description	Min.	Typ.	Max.	Unit
Vth_H	Positive peak threshold	3	4	5	V
Vth_L	Negative peak threshold	0.75	1.78	2.25	V

$t_{ON\ BOOST}$  time is selectable by fuse and four values are available: 27 ms, 45 ms, 100 ms, or 155 ms.

## 16 Blind zone

If blind zone function is not inhibited by a LIN command, the duty cycle defined by the fuse configuration is used. For example, if a 3 % blind zone is selected, no LRC ramp is applied for a duty cycle variation less than 3 %.

## 17 Return LRC

The purpose of Return LRC is to control excitation duty cycle in cases of load deactivation.

- This function is always active whatever the alternator speed.
- This function is active in default mode and in regulation mode.
- The LRC return value can be changed by OTP.

Example of operation: duty cycle ramp down is controlled by the Return LRC timer when the duty cycle change exceeds blind zone value. In this diagram, LRC is also visible in the ramp up when load is switched on.

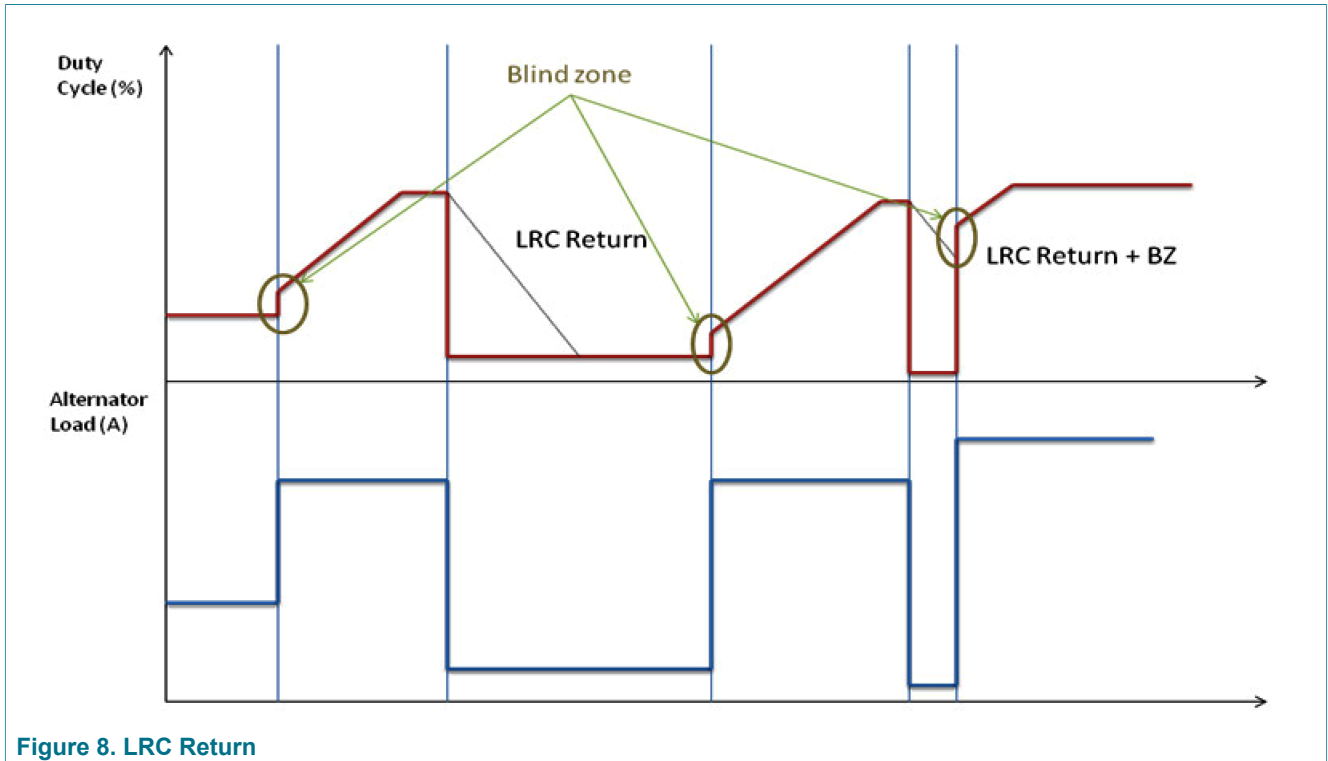


Figure 8. LRC Return

## 18 Operation voltage - priority charge function

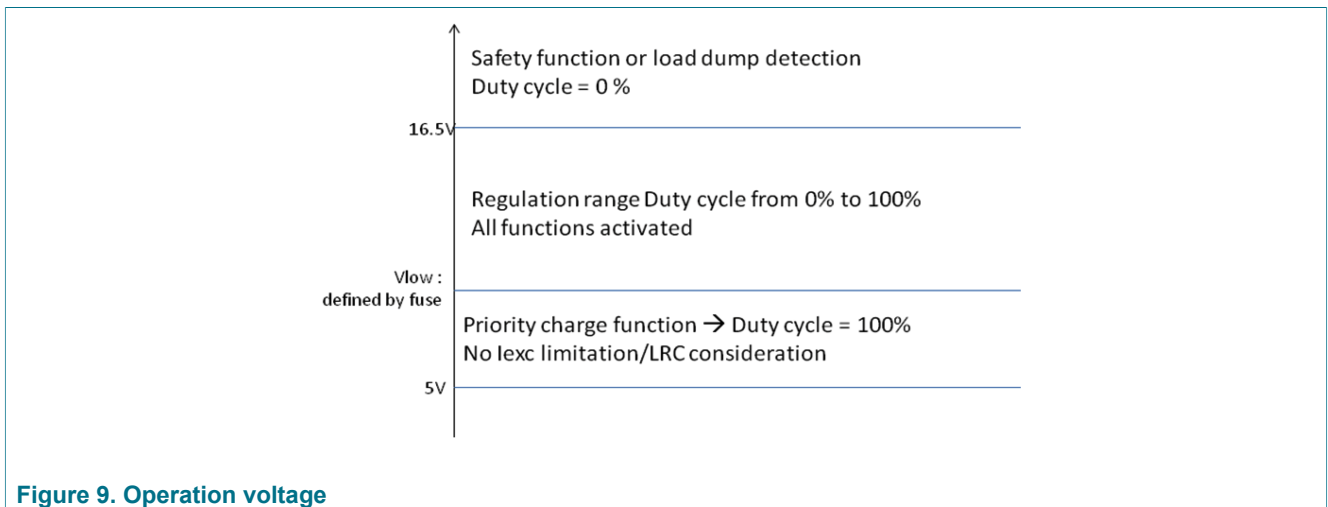


Figure 9. Operation voltage

Nominal operation voltage is from 5.0 V to 16.5 V. When battery voltage drops below  $V_{LOW}$  (value selectable by fuse), the priority function is enabled (with two possible behaviors to select by fuse):

- First behavior: When the voltage reaches the  $V_{LOW}$  threshold, LRC is disabled and 100 % duty cycle is applied until  $V_{SET}$  is reached.

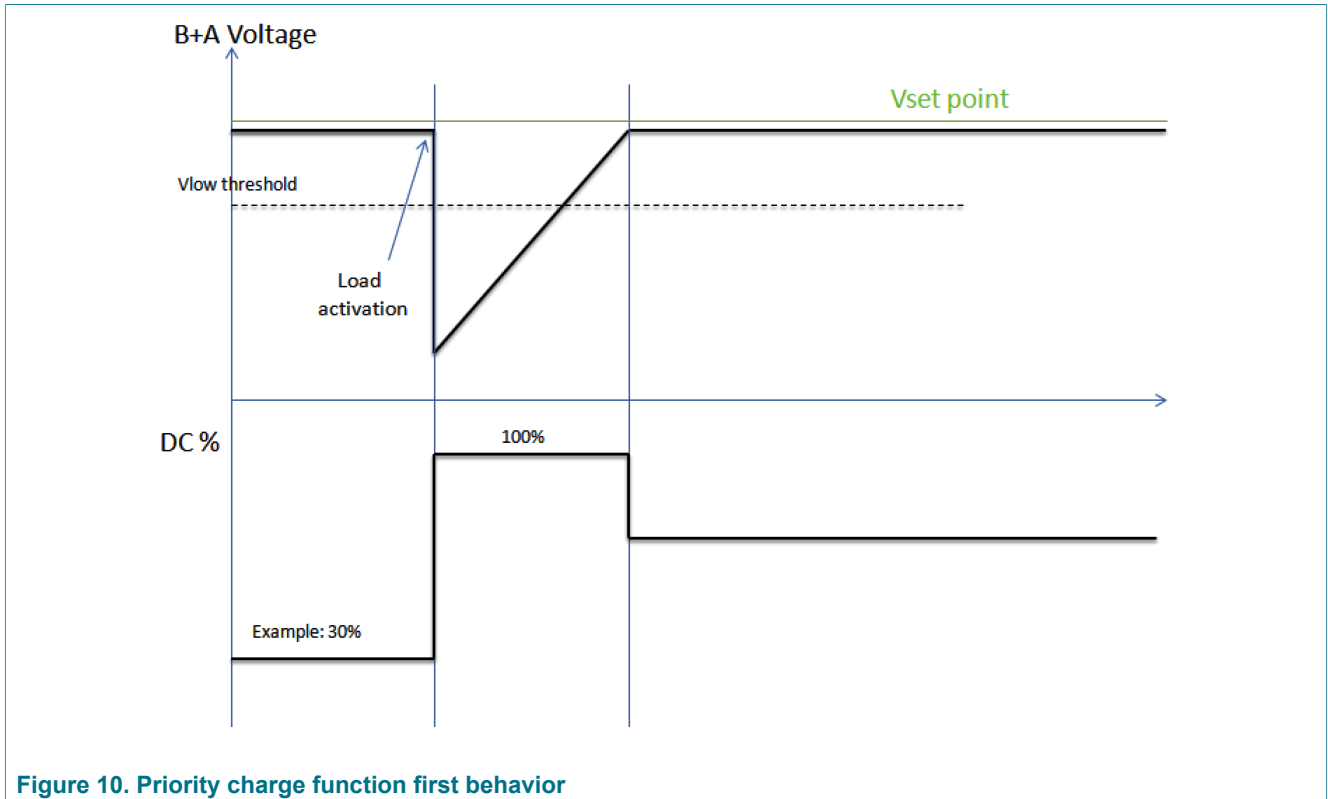


Figure 10. Priority charge function first behavior

- Second behavior: When the voltage reaches the  $V_{LOW}$  threshold, the LRC is disabled and 100 % duty cycle is applied until  $V_{LOW}$  threshold is reached (upwards). When  $V_{LOW}$  is reached, LRC is enabled until  $V_{SET}$  is reached.

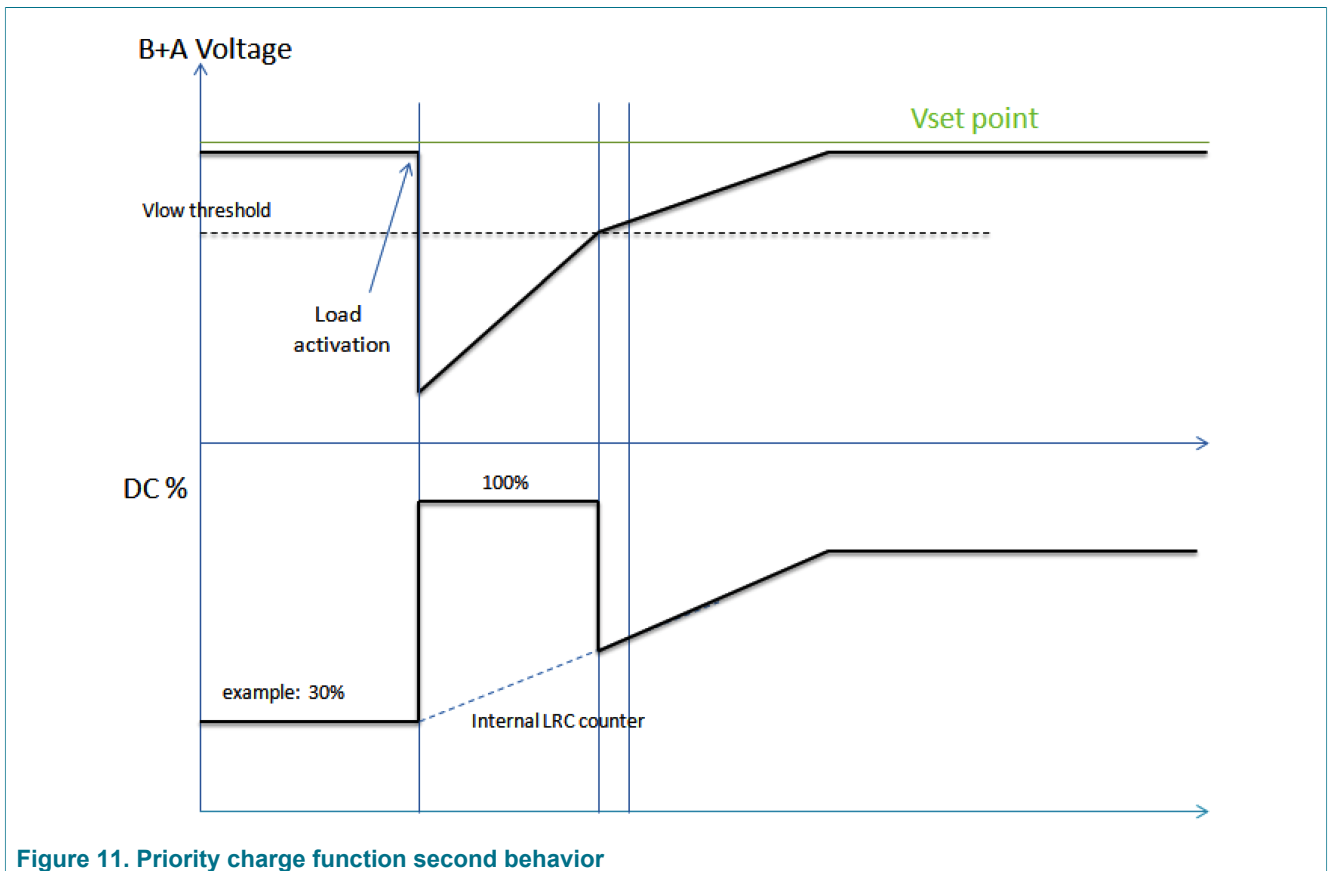


Figure 11. Priority charge function second behavior

When this function is activated, the current limitation is disabled.

If battery voltage drops to 3.0 V, most of the analog blocks are disabled, including the internal clock, but all register contents of the main logic are kept, so that regulation can resume with stored values as soon as possible, when battery voltage is back in the normal operating range. Below 3.0 V, a reset is allowed and therefore all register contents are lost.

## 19 Power supply rejection

In case of short battery drops (voltage down to zero volt at the lowest), regulation is disturbed only during the low battery pulse and is back to normal regulation after the pulse (all register contents in digital loop are kept). The device is able to withstand such “microcuts” during 40 μs maximum, using an internal tank capacitor.

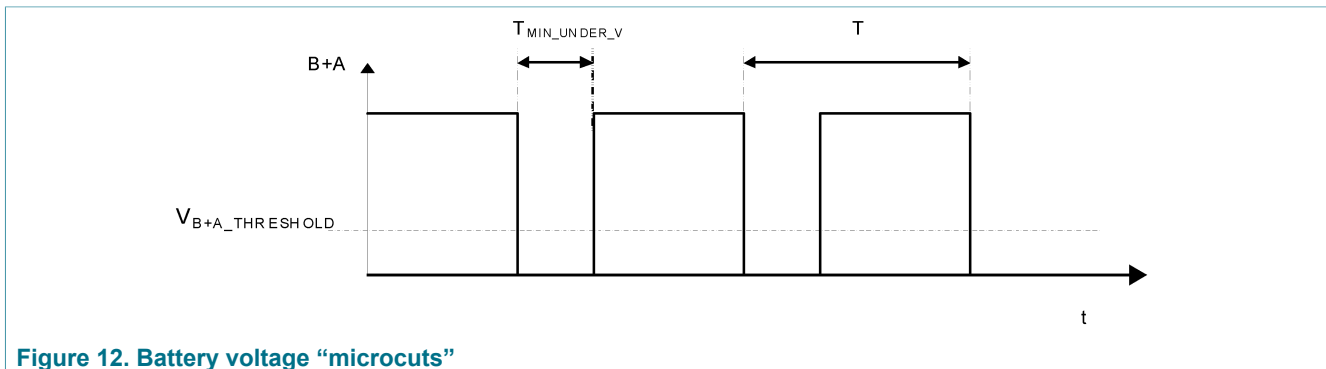


Table 61. Battery voltage microcuts

Data	Description	Min.	Typ.	Max.	Unit
T	Minimum time between two undervoltage events	250	—	1000	μs
t <sub>MIN_UNDER_V</sub>	Minimal undervoltage time the regulator must withstand whatever the T°C	40	—	—	μs
V <sub>B+A_THRESHOLD</sub>	B+A undervoltage threshold	0	—	5.0	V

If timing between two such undervoltage events is shorter than 250 μs, logic registers may reset, resulting in loss of register content.

Below 5.0 V, most analog blocks are disabled (main logic clock, regulation loop, excitation driver, LIN transceiver). Main logic is supplied as long as battery voltage is higher than 3.0 V.

## 20 Behavior without battery

In case of a battery disconnection from the alternator output, the regulator maintains the alternator voltage within the range of V<sub>REAL</sub> ±V<sub>RIPPLE\_WITHOUT\_BATTERY</sub>. The ripple voltage due to the battery disconnection does not exceed V<sub>RIPPLE\_WITHOUT\_BATTERY</sub> and regulation continues in these conditions.

Table 62. Behavior without battery

Data	Description	Min.	Typ.	Max.	Unit
DC_V <sub>WITHOUT_BATT</sub>	Additional tolerance in case of operation without battery	V <sub>Real</sub> - 0.5	V <sub>real</sub>	V <sub>real</sub> + 0.5	V

## 21 Thermal compensation

This function is activated when the internal temperature is above the thermal threshold (selectable by a fuse, from 125 °C to 160 °C). In this case, the voltage set point is fixed



by LIN or by default is decreased to reduce internal temperature. The derating is also selectable by a fuse (from  $-50 \text{ mV}/^\circ\text{C}$  to  $-400 \text{ mV}/^\circ\text{C}$ ).

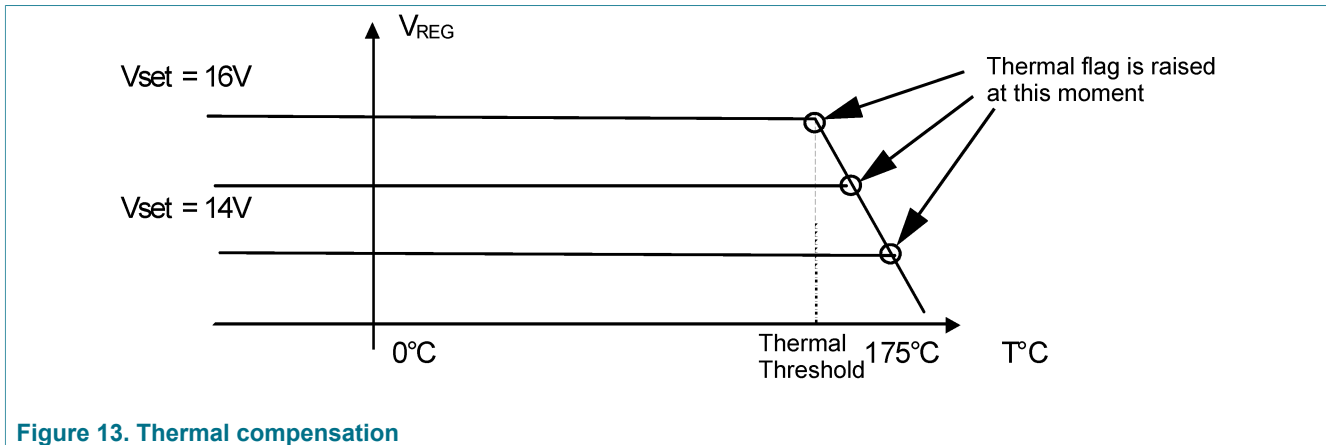


Figure 13. Thermal compensation

## 22 Protection and diagnosis features

### 22.1 Fault detection

#### General Notes

All fault reporting passes through a digital filter to avoid false indication problems, this deglitching time is selectable by fuse from 50 to 1000 ms.

### 22.2 Mechanical fault (F\_MEC)

When regulator is in pre-excitation mode and the alternator speed is  $0 < N_{ALT} < N_{STOP}$ , the flag must be set to 1.

### 22.3 Electrical fault (F\_EL)

If one of these faults appear:

- **Excitation short to battery or to ground:**  
Duty cycle of power output driver and excitation voltage are monitored.
  - If  $V_{EXC} < 1.5 \text{ V}$  and duty cycle of excitation driver is 100 % for more than  $t_{DEFECT}$ , a short of excitation to ground is detected and F\_EL is set to 1.
  - If  $V_{EXC} > 1.5 \text{ V}$  and duty cycle of excitation driver is OFF for more than  $t_{DEFECT}$ , a short of excitation to battery is detected and F\_EL is set to 1.
- **Alternator rotor open**  
– If excitation current measured is below 1.0 A when excitation duty cycle is 100 % for more than  $t_{DEFECT}$ , an open rotor is detected and F\_EL is set to 1.
- **Observed phase short**  
– If phase regulation has failed after  $t_{ONBOOST}$  for more than  $t_{DEFECT}$ , the F\_EL is set to 1.
- **B+A voltage too low**  
– If the priority charge function is active during  $t_{DEFECT}$  and the target voltage is not reached, F\_EL is set to 1 if the “Electrical flag in case of low-voltage” OTP fuse has been set to 1.
- **Overvoltage (safety function activation)**  
– If the OTP fuse “Overvoltage Fault Flag” = 1, F\_EL is set to 1, in case of an overvoltage on B+A as shown in [Section 23 "Safety function"](#).
- **Double error in configuration OTP fuse**

- If a double error (error which cannot be corrected with redundant ECC code) in customer configuration OTP fuse bits occurs, F\_EL sets to 1 after  $t_{\text{DEFECT}}$ .

## 22.4 Thermal fault (F\_HT)

A thermal fault is reported when thermal compensation starts to operate (see [Section 21 "Thermal compensation"](#)).

## 22.5 Timeout flag (TO)

Timeout between two consecutive valid messages is 3 or 10 seconds. If this time is exceeded, the TO flag is raised.

## 22.6 Communication error flag

- LIN 2.1 or LIN 1.3: “checksum” error detected: A checksum error is detected
- LIN 2.1 or LIN 1.3: “identifier parity error” detected: The parity field (P0 and P1) of a known identifier is wrong
- LIN 2.1 or LIN 1.3: “Inconsistent-Synch-Field-Error”: Edges of the SYNCH field are detected outside the given tolerances
- LIN 2.1 or LIN 1.3: “stop bit” detected: LIN bus line is dominant while stop bit
- LIN 2.1 or LIN 1.3: “bit error” detected: The received bit is different from the bit sent

## 22.7 LRC flag

The LRC flag is set to 1 when LRC is active for more than 15 ms. If LRC is no longer active for more than 15 ms, the LRC Flag is reset. This flag has to be enabled by OTP.

## 22.8 Excitation current limitation flag

Excitation current limitation flag (IExc flag) is set to 1 when excitation current is limited and has reached the current limitation value set by LIN for more than 15 ms. When excitation current is no longer limited for more than 15 ms, the IExc flag is reset.

Excitation current limitation flag is disabled in Pre-excitation mode 2 when  $V_{\text{SET}} < V_{\text{BAT}}$ .

This flag has to be enabled by OTP.

The following table summarizes F\_MEC, F\_EL, and F\_HT operation based on regulator state.

Table 63. F\_MEC, F\_EL, and F\_HT operation details

Fault Reporting		Wake-up mode	Pre-excitation mode		Regulation mode				
		Nalt < Nstop	N < Nstart		N > Nstart				
		Vset = 10.6 V	10.6 < Vset < Ubat	Vset > Vbat	Exc OFF state enabled			Exc OFF state disabled	
					Vset = 10.6 V	Vset < Ubat	Vset > Vbat	Vset < Ubat	Vset > Vbat
Alt speed < Nstart	F_MEC	0	1 <sup>[1]</sup>	1	0	0	0	0	0
Overtoltage (safety function)	F_EL	1 <sup>[1]</sup>	1 <sup>[1]</sup>	0	1 <sup>[1]</sup>	1 <sup>[1]</sup>	0	1 <sup>[1]</sup>	0
Phase regulation failure	F_EL	0	0	0	0	1	1	1	1
Low-voltage (Priority charge function)	F_EL	0	0	0	0	0	1 <sup>[1]</sup>	0	1 <sup>[1]</sup>
No power generation (DC = 100 % and Iexc < 1 A)	F_EL	0	0	0	0	0	1	0	1
Exc stage short to B+A (Vexc > 1.5 V and DC = 0 %)	F_EL	1	0	0	1	1	0	1	0
Exc stage short to GND (Vexc < 1.5 V and DC = 100 %)	F_EL	0	0	0	0	0	1	0	1
Double error to OTP fuses	F_EL	1	1	1	1	1	1	1	1
Too high temperature	F_HT	0	0	0	0	1	1	1	1

[1] Can be disabled by OTP

## 23 Safety function

To avoid battery overcharge, a safety function is implemented with two redundant methods to measure the battery voltage. The voltage dividers and voltage references shown in [Figure 14](#) are independent. When either of the detectors (ADC or comparator) has reported to safety logic of an overvoltage condition (battery voltage above Alarm\_TH), the power LDMOS providing excitation current is turned off and the electrical flag is set to 1. A separate pull-down circuitry on the power LDMOS gate ensures that excitation is turned off, even in case of ADC, Safety Logic, or Gate driver failure.

To change to normal regulation mode, both conditions have to be met:

- CompOut = 0
- ADC Value < 16.5 V

Once activated, the safety function maintains excitation off until V<sub>BAT</sub> stays below the safety threshold (typ. 16.5 V) for a minimum of 500 ms.

When the alarm threshold is reached, the electrical flag sets to 1 if the fuse “Overvoltage Error Flag Enable” has been selected.

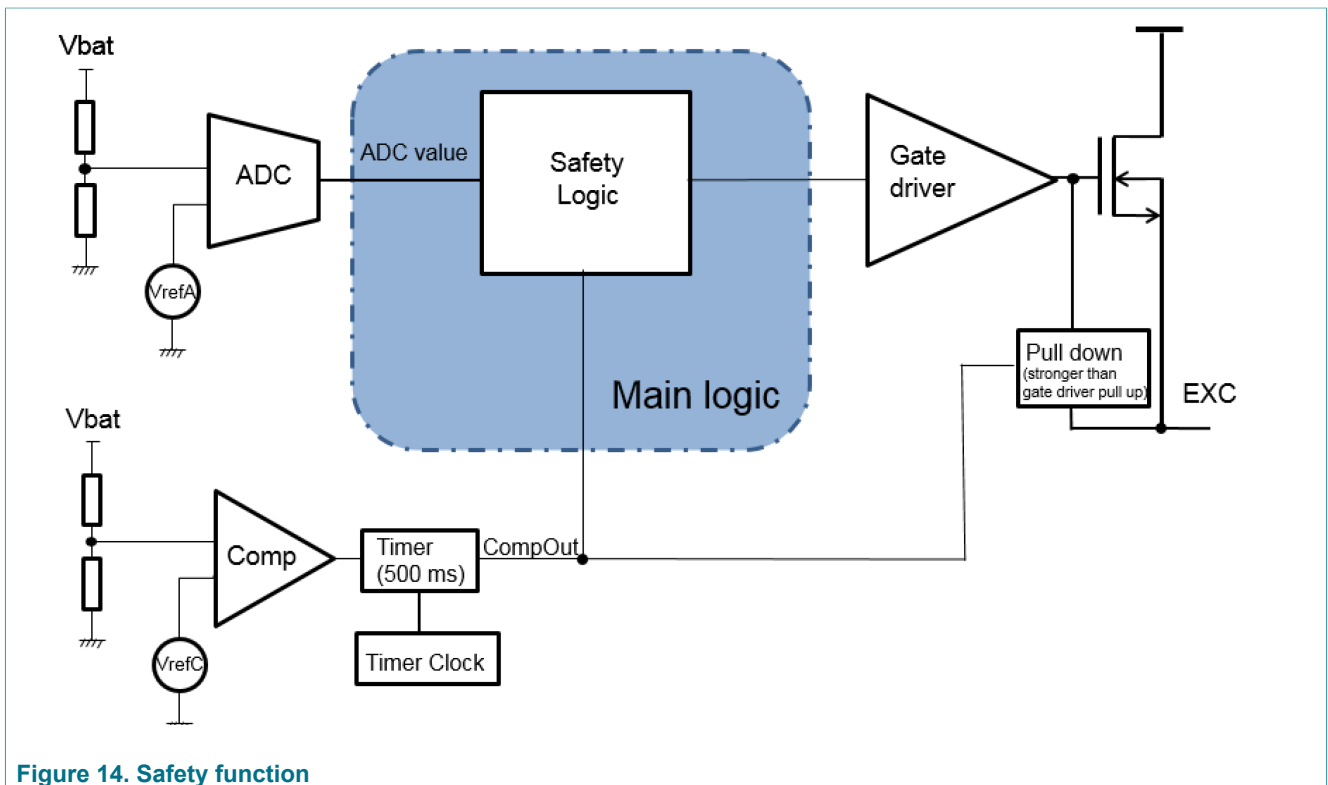


Figure 14. Safety function

Table 64. Safety function threshold and filtering

Symbol	Parameter	Min.	Typ.	Max.	Unit
Alarm_TH	Alarm system threshold	16.2	16.5	16.8	V
Filtering	Timer	450	500	550	ms

## 24 Test mode and programming

### 24.1 Test mode entry

The entrance in this specific mode is performed through two different steps:

- Key and Seed exchange
- Test mode request/activation

## 24.2 Test mode function

Different functions could be activated according to Function ID (**FID**):

- Clocks acceleration
- Clocks deactivation
- Test mode deactivation
- Die Information Reading
- OTP memory reading (specified in the programming specification)
- OTP memory programming (specified in the programming specification)

### 24.2.1 i/ Clocks acceleration

This function is used to accelerate all timers during test sequence like:

- Timer Fault
- LIN Timeout
- Phases Timeout
- LRC

The timer test mode increases the timer clock by 32. It means all the previous function are 32 shorter. For example, if an LRC ramp time of 10 s is required by LIN, in this specific mode, the LRC duration is  $10 \text{ s}/32 = 312 \text{ ms}$ .

### 24.2.2 ii/ Clocks deactivation

This function deactivates all timers listed previously. This function is used during the alternator end of line test. The aim is to allow the alternator to supply the maximum load in the shortest possible delay. Therefore in this specific mode, the LRC has to be disabled, as well as the default timer.

### 24.2.3 iii/ Test mode deactivation

This function is used to exit Test mode.

### 24.2.4 iv/ Die information reading

This function is used to read information like:

- Wafer number
- Wafer lot number
- Die version
- X die position on wafer
- Y die position on wafer

### 24.2.5 v/ OTP memory bytes reading

This function is used to read some configuration information.

## 25 Revision history

Revision	Date	Description of changes
1.0	4/2016	Initial release
	4/2016	Updated <a href="#">Table 1</a>

## 26 Legal information

### Data sheet status

Document status <sup>[1]</sup>	Product status <sup>[2]</sup>	Definition
Data sheet: Product preview	Development	This document contains information on a product under development. NXP reserves the right to change or discontinue this product without notice.
Data sheet: Advance information	Qualification	This document contains information on a pre-production product. Specifications and pre-production information herein are subject to change without notice.
Data sheet: Technical data	Production	NXP reserves the right to change the production detail specifications as may be required to permit improvements in the design of its products.

[1] Please consult the most recently issued document before initiating or completing a design.

[2] The product status of device(s) described in this document may have changed since this document was published and may differ in case of multiple devices. The latest product status information is available on the Internet at URL [nxp.com](http://nxp.com).

#### Definitions

**Draft** — The document is a draft version only. The content is still under internal review and subject to formal approval, which may result in modifications or additions. NXP Semiconductors does not give any representations or warranties as to the accuracy or completeness of information included herein and shall have no liability for the consequences of use of such information.

#### Disclaimers

Information in this document is provided solely to enable system and software implementers to use NXP products. There are no express or implied copyright licenses granted hereunder to design or fabricate any integrated circuits based on the information in this document. NXP reserves the right to make changes without further notice to any products herein. NXP makes no warranty, representation, or guarantee regarding the suitability of its products for any particular purpose, nor does NXP assume any liability arising out of the application or use of any product or circuit, and specifically disclaims any and all liability, including without limitation consequential or incidental damages. "Typical" parameters that may be provided in NXP data sheets and/or specifications can and do vary in different applications, and actual performance may vary over time. All operating parameters, including "typicals," must be validated for each customer application by customer's technical experts. NXP does not convey any license under its patent rights nor the rights of others. NXP sells products pursuant to standard terms and conditions of sale, which can be found at the following address: [nxp.com/salestermsandconditions](http://nxp.com/salestermsandconditions).

#### Trademarks

NXP, the NXP logo, Freescale, the Freescale logo and SMARTMOS are trademarks of NXP B.V. All other product or service names are the property of their respective owners.

## 27 Contact information

For more information, please visit: <http://www.nxp.com>

For sales office addresses, please send an email to: [salesaddresses@nxp.com](mailto:salesaddresses@nxp.com)

Tables

Tab. 1.	Orderable part variations .....	2	Tab. 34.	Alternator supplier identification (3 bits) – All versions .....	22
Tab. 2.	Pin description .....	4	Tab. 35.	Excitation current measurement (8 bits) – versions A and B .....	23
Tab. 3.	Mandatory external components .....	4	Tab. 36.	Battery voltage measurement, temperature measurement or alternator speed (8 bits) – version A .....	26
Tab. 4.	Maximum ratings .....	4	Tab. 37.	Set point voltage (8 bits) – version B .....	32
Tab. 5.	Thermal ratings .....	5	Tab. 38.	LRC ramp time (4 bits) – version B .....	35
Tab. 6.	Static electrical characteristics .....	5	Tab. 39.	Excitation current limitation (7 bits) - version B .....	36
Tab. 7.	Dynamic electrical characteristics .....	6	Tab. 40.	Duty cycle value (5 bits) - version B .....	37
Tab. 8.	LIN frame configurations .....	10	Tab. 41.	Set point voltage, battery voltage measurement, temperature measurement or alternator speed (8 bits) - version B .....	38
Tab. 9.	Identifier: 0X29 (LIN1) or 0X2A (LIN2, LIN4) or 0X20 (LIN3) .....	12	Tab. 42.	Blind zone (2 bits) - version C .....	44
Tab. 10.	Identifier: 0X11 (LIN1) or 0X13 (LIN2, LIN4) or 0X15 (LIN3) .....	12	Tab. 43.	Set point voltage (8 bits) - version C .....	44
Tab. 11.	Identifier: 0X12 (LIN1) or 0X14 (LIN2) or 0X21 (LIN3) or 0X11 (LIN4) .....	13	Tab. 44.	LRC duration (4 bits) - version C .....	48
Tab. 12.	Identifier: 0X15 (LIN1) or 0X16 (LIN2, LIN4) or 0X18 (LIN3) .....	13	Tab. 45.	LRC disable speed (4 bits) - version C .....	48
Tab. 13.	Identifier: 0X29 (LIN1) or 0X2A (LIN2, LIN4) or 0X20 (LIN3) .....	14	Tab. 46.	Excitation current limitation (8 bits) - version C .....	48
Tab. 14.	Identifier: 0X12 (LIN1) or 0X14 (LIN2, LIN4) or 0X21 (LIN3) OX11 (LIN4) .....	14	Tab. 47.	Duty cycle (3 bits) - version C .....	51
Tab. 15.	Identifier: 0X15 (LIN1) or 0X16 (LIN2, LIN4) or 0X18 (LIN3) .....	15	Tab. 48.	Duty cycle value (8 bits) - version C .....	52
Tab. 16.	Identifier: 0X20 .....	15	Tab. 49.	Excitation current measurement (8 bits) - version C .....	55
Tab. 17.	Identifier: 0X21 .....	16	Tab. 50.	Battery voltage measurement (8 bits) - version C .....	58
Tab. 18.	Identifier: 0X18 .....	16	Tab. 51.	Temperature measurement (8 bits) - version C .....	61
Tab. 19.	Identifier: 0X29 (LIN1) or 0X2A(LIN2) .....	17	Tab. 52.	Duty cycle of controller output (8 bits) - version C .....	64
Tab. 20.	Identifier: 0X11 (LIN1) or 0X13 (LIN2) .....	17	Tab. 53.	Duty cycle value (5 bits) - version D .....	65
Tab. 21.	Identifier: 0X12 (LIN1) or 0X14 (LIN2) .....	17	Tab. 54.	Temperature measurement (6 bits) - version D .....	65
Tab. 22.	Identifier: 0X29 .....	18	Tab. 55.	Duty cycle value (5 bits)- version E .....	66
Tab. 23.	Identifier: 0X21 .....	18	Tab. 56.	Excitation current limitation (8 bits) - version E .....	66
Tab. 24.	Identifier: 0X12 (LIN1) .....	18	Tab. 57.	Regulator temperature (8 bits) - version E .....	70
Tab. 25.	Voltage set point (6 bits) – versions A, D and E .....	19	Tab. 58.	OTP programmable options .....	73
Tab. 26.	LRC ramp time – versions A, D and E .....	19	Tab. 59.	CLKPhase detection threshold voltage .....	76
Tab. 27.	LRC disable speed (4 bits) – versions A, B and D .....	20	Tab. 60.	PHASEOK detection threshold voltage .....	77
Tab. 28.	Excitation current limitation (5 bits) – versions A and D .....	20	Tab. 61.	Battery voltage microcuts .....	80
Tab. 29.	Blind zone (1 bit) – versions A and E .....	21	Tab. 62.	Behavior without battery .....	80
Tab. 30.	Reference voltage limitation for high temperatures (3 bits) – versions A and B .....	21	Tab. 63.	F_MEC, F_EL, and F_HT operation details .....	83
Tab. 31.	Blind zone inhibition (1 bit) – versions A and B .....	21	Tab. 64.	Safety function threshold and filtering .....	84
Tab. 32.	Duty cycle value (5 bits) – versions A and D .....	21			
Tab. 33.	Excitation current measurement (6 bits) – versions A and D .....	22			



## Figures

Fig. 1.	Simplified application diagram (LIN Mode) .....	1	Fig. 8.	LRC Return .....	78
Fig. 2.	Simplified application diagram (standalone, self-start mode) .....	2	Fig. 9.	Operation voltage .....	78
Fig. 3.	Internal block diagram .....	3	Fig. 10.	Priority charge function first behavior .....	79
Fig. 4.	AR6000 pinout diagram .....	3	Fig. 11.	Priority charge function second behavior .....	79
Fig. 5.	Tolerance (mA) vs. excitation current (A) .....	9	Fig. 12.	Battery voltage “microcuts” .....	80
Fig. 6.	State machine .....	74	Fig. 13.	Thermal compensation .....	81
Fig. 7.	Phase regulation .....	76	Fig. 14.	Safety function .....	84

Contents

<b>1</b>	<b>General description</b> .....	<b>1</b>	14.1	Standby	74
<b>2</b>	<b>Simplified application diagram</b> .....	<b>1</b>	14.2	Wake-up	75
<b>3</b>	<b>Features and benefits</b> .....	<b>2</b>	14.3	Pre-exc	75
<b>4</b>	<b>Applications</b> .....	<b>2</b>	14.4	Regulation with LIN	75
<b>5</b>	<b>Orderable parts</b> .....	<b>2</b>	14.5	Default mode	75
<b>6</b>	<b>Internal block diagram</b> .....	<b>3</b>	<b>15</b>	<b>Phase regulation</b> .....	<b>76</b>
<b>7</b>	<b>Pinning information</b> .....	<b>3</b>	<b>16</b>	<b>Blind zone</b> .....	<b>77</b>
7.1	Pinning .....	3	<b>17</b>	<b>Return LRC</b> .....	<b>77</b>
7.2	Pin definitions .....	3	<b>18</b>	<b>Operation voltage - priority charge function ...</b>	<b>78</b>
<b>8</b>	<b>General product characteristics</b> .....	<b>4</b>	<b>19</b>	<b>Power supply rejection</b> .....	<b>80</b>
8.1	Maximum ratings .....	4	<b>20</b>	<b>Behavior without battery</b> .....	<b>80</b>
8.2	Thermal characteristics .....	5	<b>21</b>	<b>Thermal compensation</b> .....	<b>80</b>
8.3	Static electrical characteristics .....	5	<b>22</b>	<b>Protection and diagnosis features</b> .....	<b>81</b>
8.4	Dynamic electrical characteristics .....	6	22.1	Fault detection .....	81
<b>9</b>	<b>Functional description</b> .....	<b>7</b>	22.2	Mechanical fault (F_MEC) .....	81
9.1	Introduction .....	7	22.3	Electrical fault (F_EL) .....	81
9.2	Functional pin description .....	8	22.4	Thermal fault (F_HT) .....	82
9.2.1	Phase (PH) .....	8	22.5	Timeout flag (TO) .....	82
9.2.2	LIN bus (BUS) .....	8	22.6	Communication error flag .....	82
9.2.3	Ground pin (GND) .....	8	22.7	LRC flag .....	82
9.2.4	Supply voltage (B+A) .....	8	22.8	Excitation current limitation flag .....	82
9.2.5	Excitation (EXC) .....	8	<b>23</b>	<b>Safety function</b> .....	<b>84</b>
<b>10</b>	<b>Functional internal block description</b> .....	<b>8</b>	<b>24</b>	<b>Test mode and programming</b> .....	<b>84</b>
10.1	Supply voltage: Filter/Divider, Bandgap, POR .....	8	24.1	Test mode entry .....	84
10.2	Power stage: Charge pump, Drive and protection, Current measurement .....	9	24.2	Test mode function .....	85
10.3	Logic and control .....	9	24.2.1	i/ Clocks acceleration .....	85
10.3.1	Digital .....	9	24.2.2	ii/ Clocks deactivation .....	85
10.3.2	Clock .....	9	24.2.3	iii/ Test mode deactivation .....	85
10.3.3	OTP .....	9	24.2.4	iv/ Die information reading .....	85
10.3.4	Phase low and high .....	9	24.2.5	v/ OTP memory bytes reading .....	85
10.3.5	ADC .....	10	<b>25</b>	<b>Revision history</b> .....	<b>86</b>
10.3.6	Current measurement .....	10	<b>26</b>	<b>Legal information</b> .....	<b>87</b>
10.3.7	LIN .....	10	<b>27</b>	<b>Contact information</b> .....	<b>87</b>
10.3.8	Power on reset (POR) .....	10			
<b>11</b>	<b>Functional device operation</b> .....	<b>10</b>			
11.1	LIN frames .....	10			
11.2	Message frame for configuration version-A .....	12			
11.2.1	RxFrame .....	12			
11.2.2	TxFrame 1 .....	12			
11.2.3	TxFrame 2 .....	13			
11.2.4	TxFrame 3 .....	13			
11.3	Message frame for configuration version-B .....	14			
11.3.1	RxFrame .....	14			
11.3.2	TxFrame 1 .....	14			
11.3.3	TxFrame 2 .....	15			
11.4	Message frame for configuration version-C .....	15			
11.4.1	RxFrame .....	15			
11.4.2	TxFrame 1 .....	16			
11.4.3	TxFrame 2 .....	16			
11.5	Message frame for configuration version-D .....	17			
11.5.1	RxFrame .....	17			
11.5.2	TxFrame 1 .....	17			
11.5.3	TxFrame 2 .....	17			
11.6	Message frame for configuration version-E .....	18			
11.6.1	RxFrame .....	18			
11.6.2	TxFrame 1 .....	18			
11.6.3	TxFrame 2 .....	18			
<b>12</b>	<b>Lookup tables</b> .....	<b>19</b>			
<b>13</b>	<b>Logic commands and registers</b> .....	<b>73</b>			
<b>14</b>	<b>State machine</b> .....	<b>74</b>			

© NXP B.V. 2016. All rights reserved

For more information, please visit: <http://www.nxp.com>  
 For sales office addresses, please send an email to: [salesaddresses@nxp.com](mailto:salesaddresses@nxp.com)  
 Released on 20 April 2016

Компания «Океан Электроники» предлагает заключение долгосрочных отношений при поставках импортных электронных компонентов на взаимовыгодных условиях!

Наши преимущества:

- Поставка оригинальных импортных электронных компонентов напрямую с производств Америки, Европы и Азии, а так же с крупнейших складов мира;
- Широкая линейка поставок активных и пассивных импортных электронных компонентов (более 30 млн. наименований);
- Поставка сложных, дефицитных, либо снятых с производства позиций;
- Оперативные сроки поставки под заказ (от 5 рабочих дней);
- Экспресс доставка в любую точку России;
- Помощь Конструкторского Отдела и консультации квалифицированных инженеров;
- Техническая поддержка проекта, помощь в подборе аналогов, поставка прототипов;
- Поставка электронных компонентов под контролем ВП;
- Система менеджмента качества сертифицирована по Международному стандарту ISO 9001;
- При необходимости вся продукция военного и аэрокосмического назначения проходит испытания и сертификацию в лаборатории (по согласованию с заказчиком);
- Поставка специализированных компонентов военного и аэрокосмического уровня качества (Xilinx, Altera, Analog Devices, Intersil, Interpoint, Microsemi, Actel, Aeroflex, Peregrine, VPT, Syfer, Eurofarad, Texas Instruments, MS Kennedy, Miteq, Cobham, E2V, MA-COM, Hittite, Mini-Circuits, General Dynamics и др.);

Компания «Океан Электроники» является официальным дистрибьютором и эксклюзивным представителем в России одного из крупнейших производителей разъемов военного и аэрокосмического назначения «JONHON», а так же официальным дистрибьютором и эксклюзивным представителем в России производителя высокотехнологичных и надежных решений для передачи СВЧ сигналов «FORSTAR».



## JONHON

«JONHON» (основан в 1970 г.)

Разъемы специального, военного и аэрокосмического назначения:

(Применяются в военной, авиационной, аэрокосмической, морской, железнодорожной, горно- и нефтедобывающей отраслях промышленности)

«FORSTAR» (основан в 1998 г.)

ВЧ соединители, коаксиальные кабели, кабельные сборки и микроволновые компоненты:

(Применяются в телекоммуникациях гражданского и специального назначения, в средствах связи, РЛС, а так же военной, авиационной и аэрокосмической отраслях промышленности).



Телефон: 8 (812) 309-75-97 (многоканальный)

Факс: 8 (812) 320-03-32

Электронная почта: [ocean@oceanchips.ru](mailto:ocean@oceanchips.ru)

Web: <http://oceanchips.ru/>

Адрес: 198099, г. Санкт-Петербург, ул. Калинина, д. 2, корп. 4, лит. А