

CONSTANT VOLTAGE AND CONSTANT CURRENT CONTROLLER

Description

The AP4320 is a highly integrated solution for a constant voltage/constant current mode SMPS application.

The AP4320 contains one 2.5V voltage reference and two operational amplifiers. The 2.5V voltage reference, combined with one operational amplifier, makes of an ideal voltage controller for use in adapters and battery chargers. The low voltage reference, combined with another operational amplifier, makes of an ideal current limiter for output low side current sensing.

The AP4320 is available in SOT26 package.

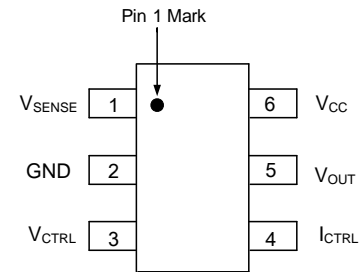
Features

- Constant Voltage and Constant Current Control
- Low External Component Count
- Easy Compensation
- Low Supply Current: 190µA
- Precision Internal Voltage Reference: 2.5V
- Operating Supply Voltage: 3.5V to 36V
- Low Current Sense Threshold: 30mV/50mV
- **Totally Lead-free & Fully RoHS Compliant (Note 1 & 2)**
- **Halogen and Antimony Free. "Green" Device (Note 3)**

- Notes:
1. No purposely added lead. Fully EU Directive 2002/95/EC (RoHS) & 2011/65/EU (RoHS 2) compliant.
 2. See http://www.diodes.com/quality/lead_free.html for more information about Diodes Incorporated's definitions of Halogen- and Antimony-free, "Green" and Lead-free.
 3. Halogen- and Antimony-free "Green" products are defined as those which contain <900ppm bromine, <900ppm chlorine (<1500ppm total Br + Cl) and <1000ppm antimony compounds.

Pin Assignments

(Top View)

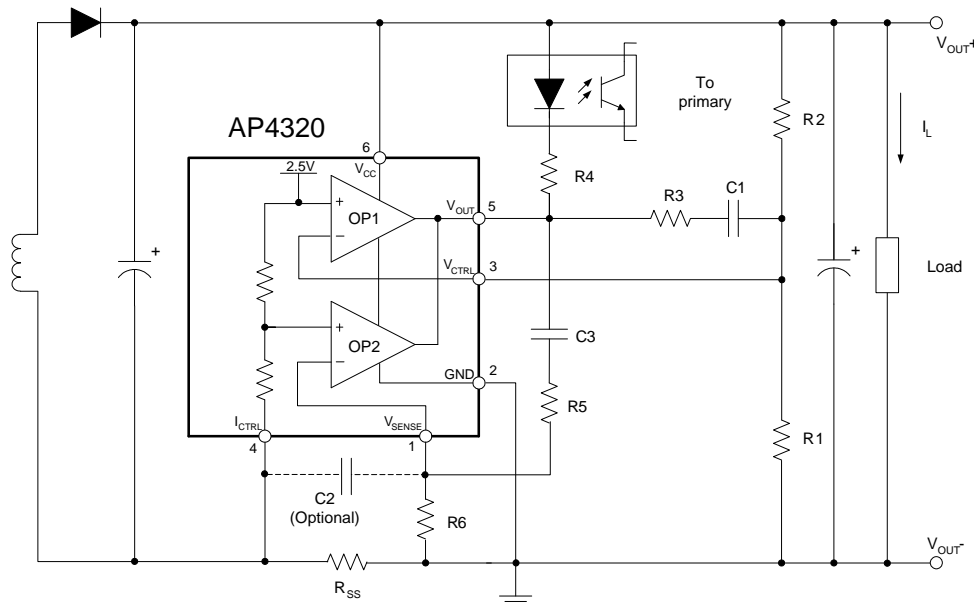


SOT26 (K6 Package)

Applications

- AC/DC Adapters
- Battery Chargers
- LED Drivers

Typical Applications Circuit

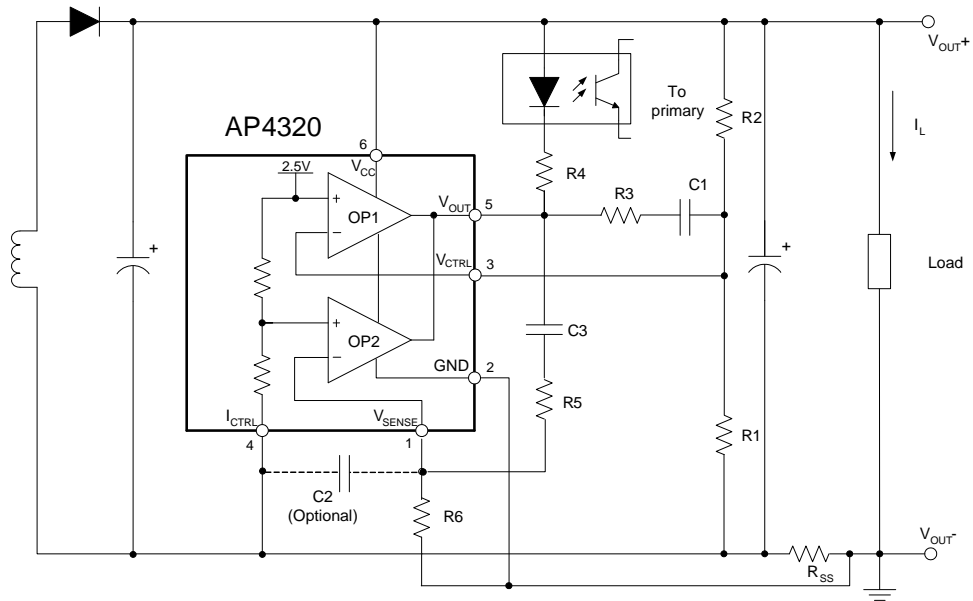


$$V_{OUT} = V_{REF} \times \frac{R1 + R2}{R1}$$

$$CurrentLimit = \frac{V_{SENSE}}{R_{SS}}$$

Typical Application 1

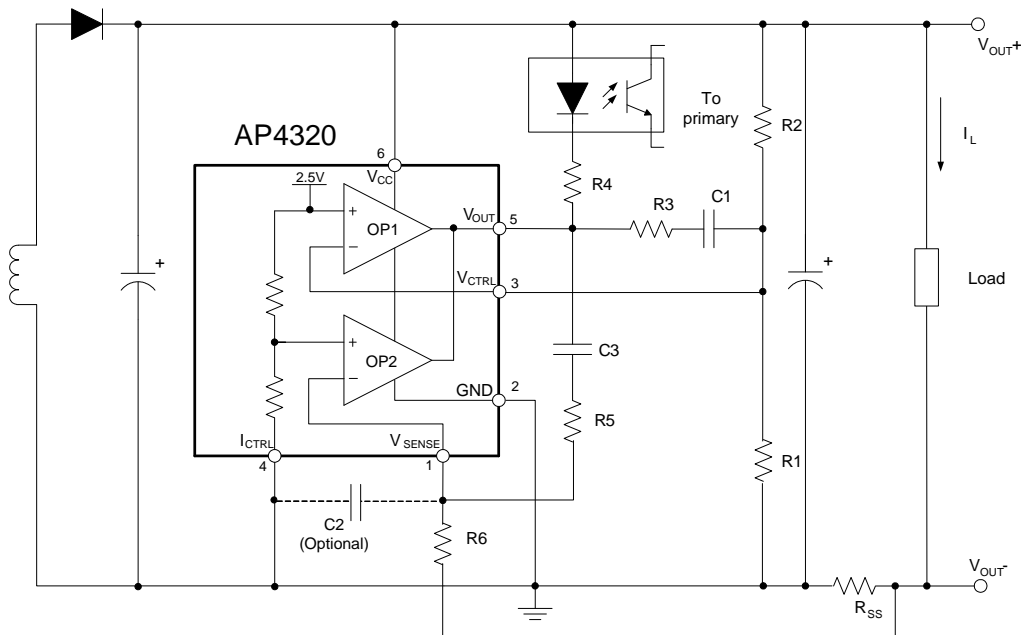
Typical Applications Circuit (Cont.)



$$V_{OUT} = [V_{REF} + (I_L \times R_{SS})] \times \frac{R1 + R2}{R1} - (I_L \times R_{SS})$$

$$CurrentLimit = \frac{V_{SENSE}}{R_{SS}}$$

Typical Application 2



$$V_{OUT} = V_{REF} \times \frac{R1 + R2}{R1} - (I_L \times R_{SS})$$

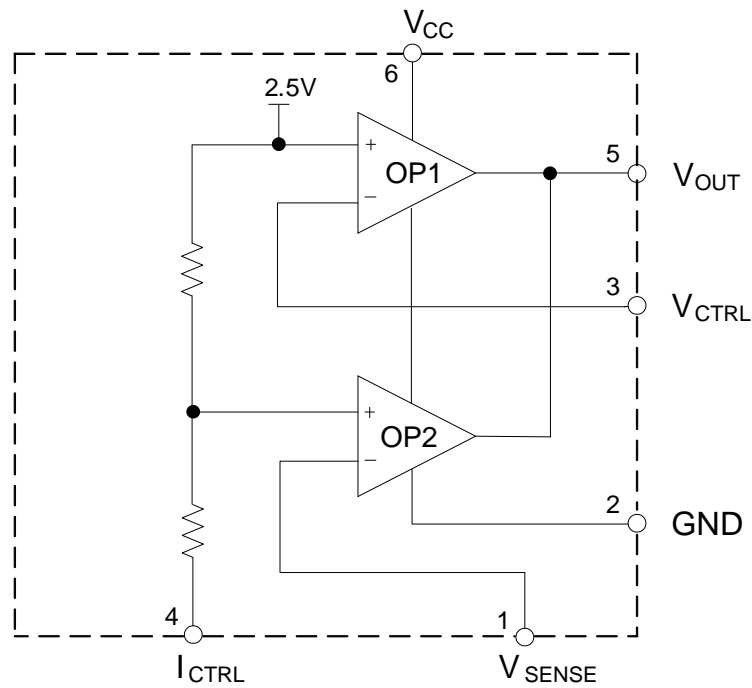
$$CurrentLimit = \frac{V_{SENSE} \times V_{REF}}{(V_{SENSE} + V_{REF}) \times R_{SS}}$$

Typical Application 3

Pin Descriptions

Pin Number	Pin Name	Function
1	V_{SENSE}	Input pin of the current control loop
2	GND	Ground
3	V_{CTRL}	Input pin of the voltage control loop
4	I_{CTRL}	Input pin of the current control loop
5	V_{OUT}	Output pin. Sinking current only
6	V_{CC}	Power Supply

Functional Block Diagram



Absolute Maximum Ratings (Note 4)

Symbol	Parameter	Rating	Unit
V_{CC}	Power Supply Voltage	-0.3 to 38	V
V_{OUT}	Input Voltage (V_{OUT} Pin)	-0.3 to V_{CC}	V
V_{CTRL}	Input Voltage (I_{CTRL} Pin)	-0.3 to 18	V
V_{SENSE}	Input Voltage (V_{SENSE} Pin)	-0.3 to 18	V
V_{CTRL}	Input Voltage (V_{CTRL} Pin)	-0.3 to 18	V
T_J	Junction Temperature	+150	°C
T_{STG}	Storage Temperature	-55 to +150	°C
T_{LEAD}	Lead Temperature (Soldering, 5sec)	+260	°C
θ_{JA}	Thermal Resistance (Junction to Ambient)	250	°C/W

Note 4: Stresses greater than those listed under "Absolute Maximum Ratings" may cause permanent damage to the device. These are stress ratings only, and functional operation of the device at these or any other conditions beyond those indicated under "Recommended Operating Conditions" is not implied. Exposure to "Absolute Maximum Ratings" for extended periods may affect device reliability.

Recommended Operating Conditions

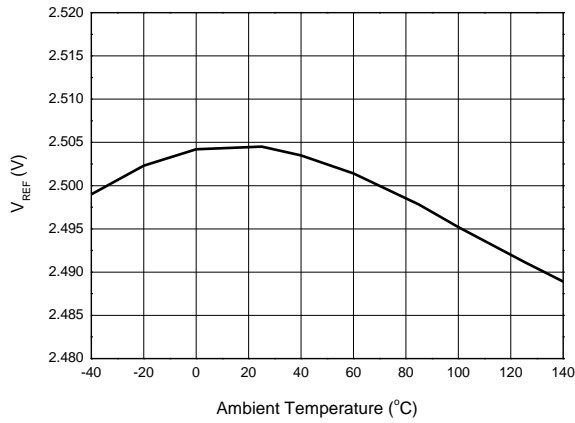
Symbol	Parameter	Min	Max	Unit
V_{CC}	Power Supply Voltage	3.5	36	V

Electrical Characteristics (@ $V_{CC}=20V$, $-25^{\circ}C < T_A < +125^{\circ}C$, unless otherwise specified.)

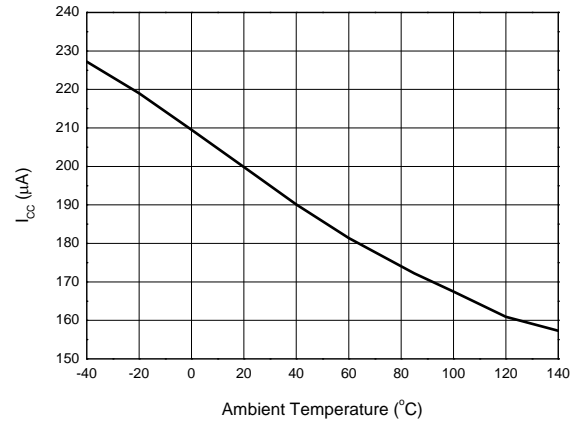
Symbol	Parameters	Conditions	Min	Typ	Max	Unit	
TOTAL CURRENT CONSUMPTION							
I_{CC}	Total Supply Current Not Including the Output Sinking Current	$V_{ICTRL}=V_{SENSE}=0V$, $V_{OUT}=Open$	–	190	–	μA	
VOLTAGE CONTROL LOOP							
G_{mv}	Transduction Gain (V_{CTRL}). Sink Current Only	–	1	3.5	–	mA/mV	
V_{REF}	Voltage Control Loop Reference	$T_A=+25^{\circ}C$	2.488	2.50	2.512	V	
		–	2.48	–	2.52		
I_{IBV}	Input Bias Current (V_{CTRL})	–	–	25	–	nA	
CURRENT CONTROL LOOP							
G_{mi}	Transduction Gain (I_{CTRL}). Sink Current Only	–	1.5	7	–	mA/mV	
V_{SENSE}	Current Control Loop Reference	AP4320A	$T_A = +25^{\circ}C$	29	30	31	mV
			–	28	30	32	
		AP4320B	$T_A = +25^{\circ}C$	48.5	50	51.5	
			–	46	50	54	
I_{IBI}	Current Out of Pin I_{CTRL} at V_{SENSE}	AP4320A	$V_{ICTRL}=-30mV$	–	16	–	μA
		AP4320B	$V_{ICTRL}=-50mV$	–	16	–	
OUTPUT STAGE							
V_{OL}	Low Output Voltage at 2mA Sinking Current	–	–	30	100	mV	
I_{OS}	Output Short Circuit Current. Sink Current Only	$V_{OUT}=4V$	–	30	–	mA	

Performance Characteristics

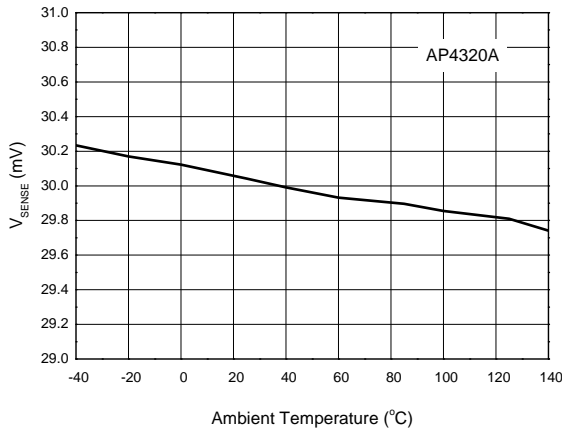
V_{REF} vs. Ambient Temperature



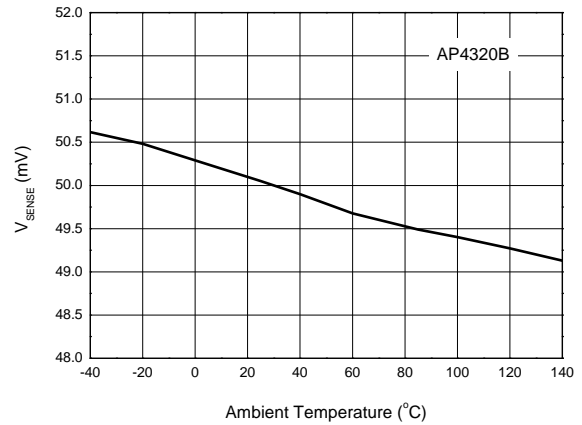
I_{CC} vs. Ambient Temperature



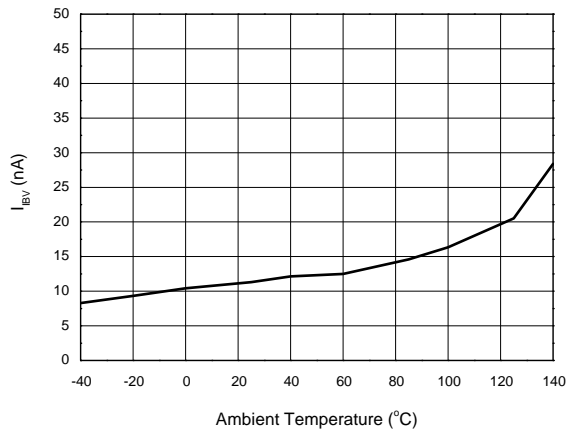
V_{SENSE} vs. Ambient Temperature



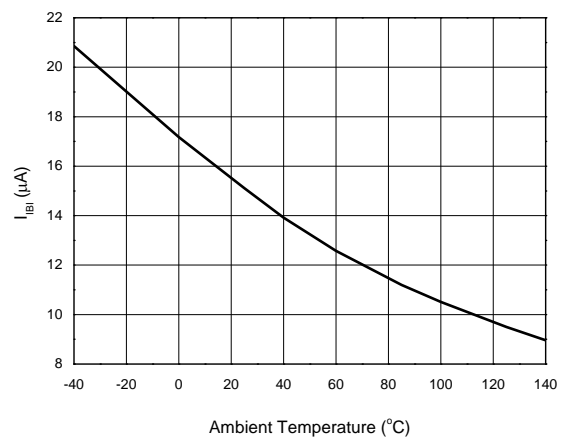
V_{SENSE} vs. Ambient Temperature



I_{IBV} vs. Ambient Temperature

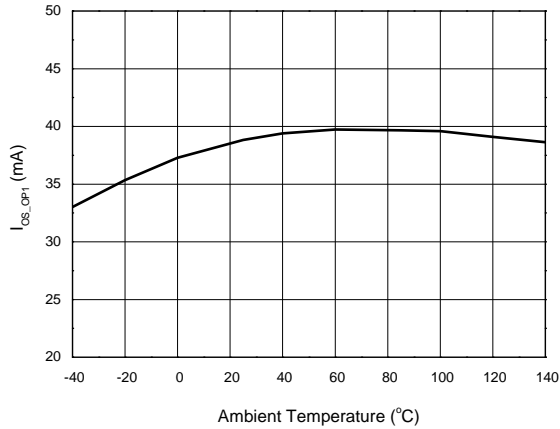


I_{IBI} vs. Ambient Temperature

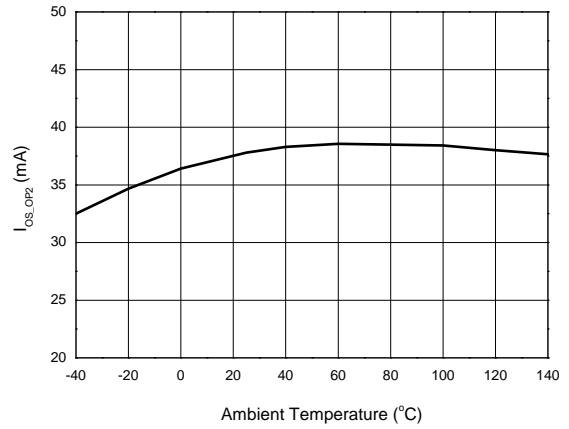


Performance Characteristics (Cont.)

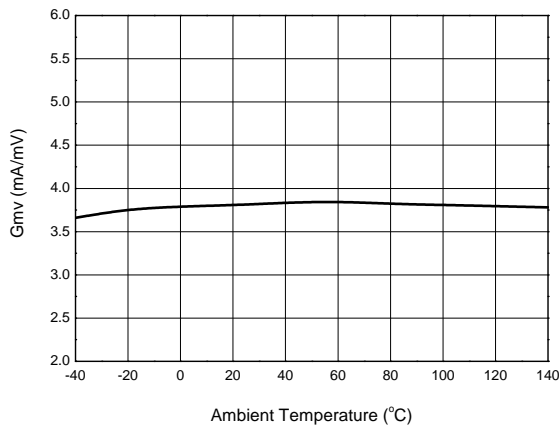
I_{OS_OP1} vs. Ambient Temperature



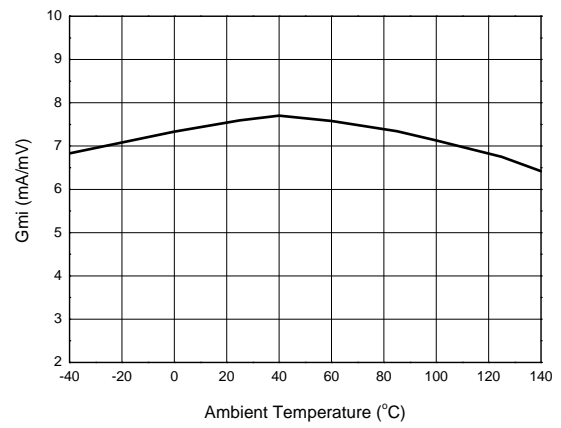
I_{OS_OP2} vs. Ambient Temperature



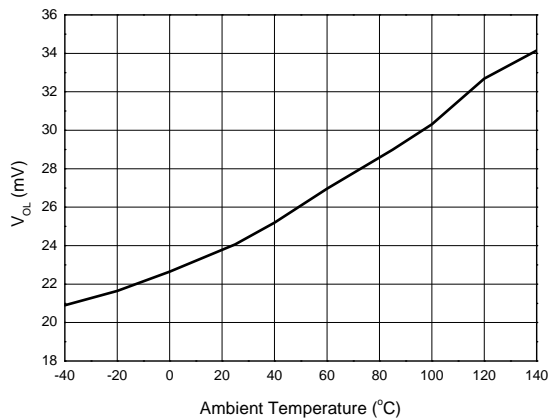
G_{mv} vs. Ambient Temperature



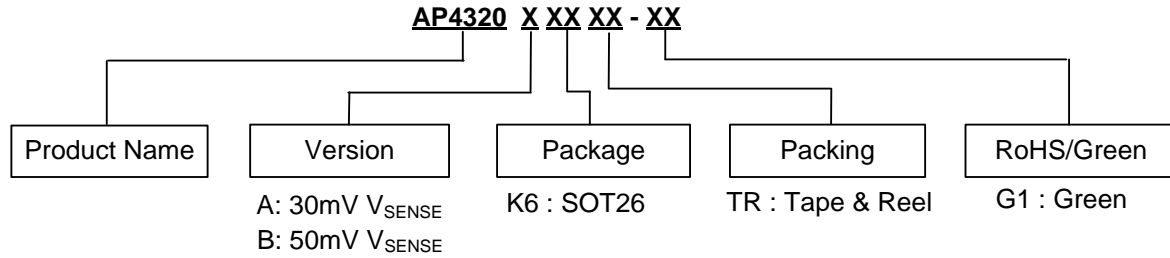
G_{mi} vs. Ambient Temperature



V_{OL} vs. Ambient Temperature



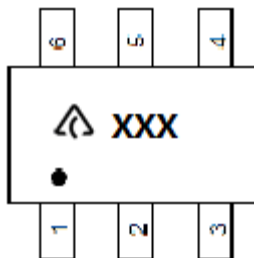
Ordering Information



Diodes IC's Pb-free products with "G1" suffix in the part number, are RoHS compliant and green.

Package	Version	Part Number	Marking ID	Packing
SOT26	30mV V_{SENSE}	AP4320AK6TR-G1	GJZ	3000/Tape and Reel
	50mV V_{SENSE}	AP4320BK6TR-G1	GKW	

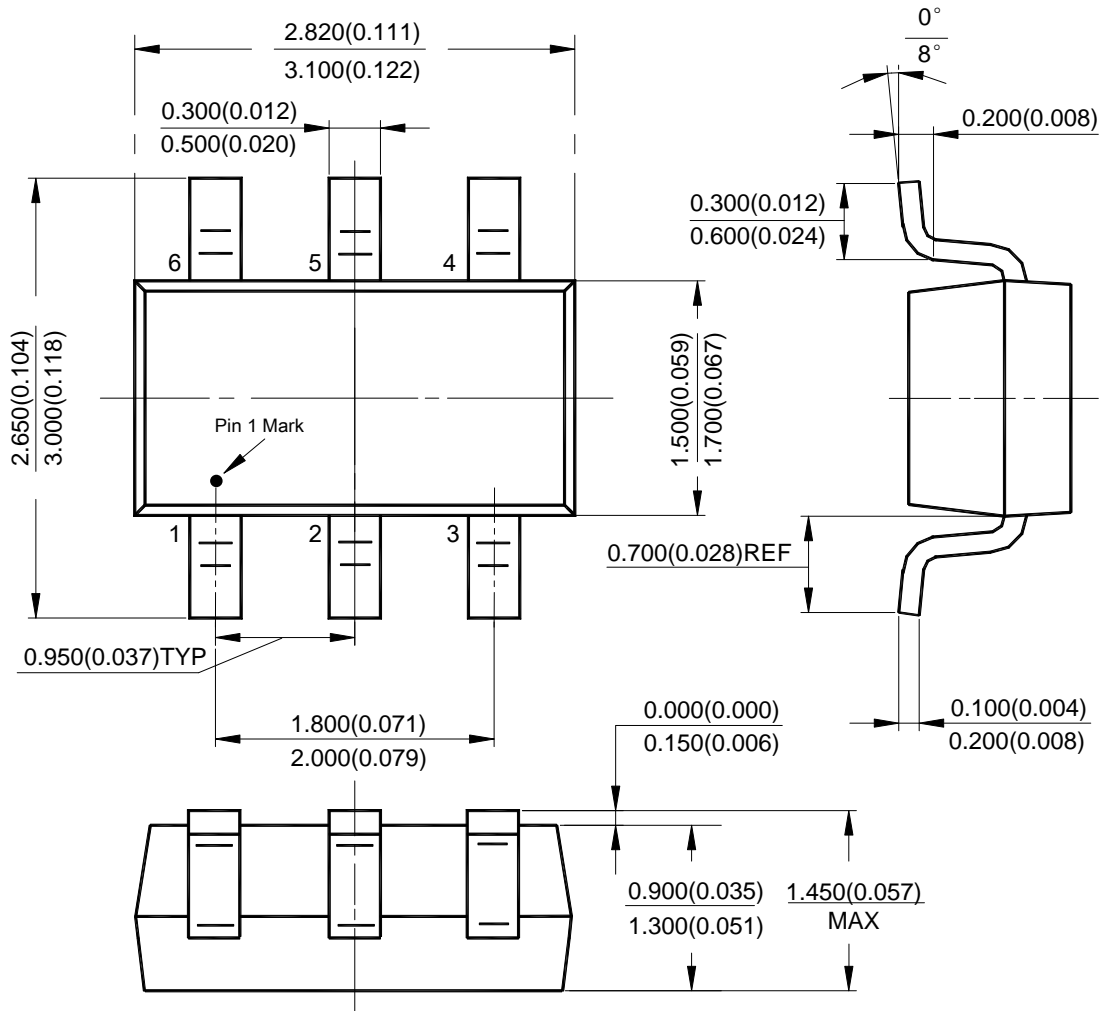
Marking Information



: Logo
 XXX: Marking ID (See details from ordering information)

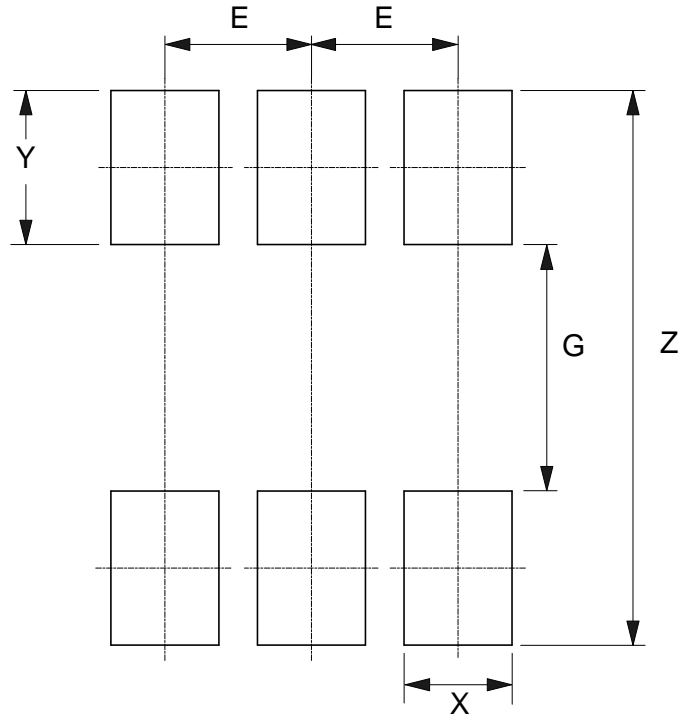
Package Outline Dimensions (All dimensions in mm(inch).)

(1) Package Type: SOT26



Suggested Pad Layout

(1) Package Type: SOT26



Dimensions	Z (mm)/(inch)	G (mm)/(inch)	X (mm)/(inch)	Y (mm)/(inch)	E (mm)/(inch)
Value	3.600/0.142	1.600/0.063	0.700/0.028	1.000/0.039	0.950/0.037

IMPORTANT NOTICE

DIODES INCORPORATED MAKES NO WARRANTY OF ANY KIND, EXPRESS OR IMPLIED, WITH REGARDS TO THIS DOCUMENT, INCLUDING, BUT NOT LIMITED TO, THE IMPLIED WARRANTIES OF MERCHANTABILITY AND FITNESS FOR A PARTICULAR PURPOSE (AND THEIR EQUIVALENTS UNDER THE LAWS OF ANY JURISDICTION).

Diodes Incorporated and its subsidiaries reserve the right to make modifications, enhancements, improvements, corrections or other changes without further notice to this document and any product described herein. Diodes Incorporated does not assume any liability arising out of the application or use of this document or any product described herein; neither does Diodes Incorporated convey any license under its patent or trademark rights, nor the rights of others. Any Customer or user of this document or products described herein in such applications shall assume all risks of such use and will agree to hold Diodes Incorporated and all the companies whose products are represented on Diodes Incorporated website, harmless against all damages.

Diodes Incorporated does not warrant or accept any liability whatsoever in respect of any products purchased through unauthorized sales channel. Should Customers purchase or use Diodes Incorporated products for any unintended or unauthorized application, Customers shall indemnify and hold Diodes Incorporated and its representatives harmless against all claims, damages, expenses, and attorney fees arising out of, directly or indirectly, any claim of personal injury or death associated with such unintended or unauthorized application.

Products described herein may be covered by one or more United States, international or foreign patents pending. Product names and markings noted herein may also be covered by one or more United States, international or foreign trademarks.

This document is written in English but may be translated into multiple languages for reference. Only the English version of this document is the final and determinative format released by Diodes Incorporated.

LIFE SUPPORT

Diodes Incorporated products are specifically not authorized for use as critical components in life support devices or systems without the express written approval of the Chief Executive Officer of Diodes Incorporated. As used herein:

A. Life support devices or systems are devices or systems which:

1. are intended to implant into the body, or
2. support or sustain life and whose failure to perform when properly used in accordance with instructions for use provided in the labeling can be reasonably expected to result in significant injury to the user.

B. A critical component is any component in a life support device or system whose failure to perform can be reasonably expected to cause the failure of the life support device or to affect its safety or effectiveness.

Customers represent that they have all necessary expertise in the safety and regulatory ramifications of their life support devices or systems, and acknowledge and agree that they are solely responsible for all legal, regulatory and safety-related requirements concerning their products and any use of Diodes Incorporated products in such safety-critical, life support devices or systems, notwithstanding any devices- or systems-related information or support that may be provided by Diodes Incorporated. Further, Customers must fully indemnify Diodes Incorporated and its representatives against any damages arising out of the use of Diodes Incorporated products in such safety-critical, life support devices or systems.

Copyright © 2013, Diodes Incorporated

www.diodes.com

Компания «Океан Электроники» предлагает заключение долгосрочных отношений при поставках импортных электронных компонентов на взаимовыгодных условиях!

Наши преимущества:

- Поставка оригинальных импортных электронных компонентов напрямую с производств Америки, Европы и Азии, а так же с крупнейших складов мира;
- Широкая линейка поставок активных и пассивных импортных электронных компонентов (более 30 млн. наименований);
- Поставка сложных, дефицитных, либо снятых с производства позиций;
- Оперативные сроки поставки под заказ (от 5 рабочих дней);
- Экспресс доставка в любую точку России;
- Помощь Конструкторского Отдела и консультации квалифицированных инженеров;
- Техническая поддержка проекта, помощь в подборе аналогов, поставка прототипов;
- Поставка электронных компонентов под контролем ВП;
- Система менеджмента качества сертифицирована по Международному стандарту ISO 9001;
- При необходимости вся продукция военного и аэрокосмического назначения проходит испытания и сертификацию в лаборатории (по согласованию с заказчиком);
- Поставка специализированных компонентов военного и аэрокосмического уровня качества (Xilinx, Altera, Analog Devices, Intersil, Interpoint, Microsemi, Actel, Aeroflex, Peregrine, VPT, Syfer, Eurofarad, Texas Instruments, MS Kennedy, Miteq, Cobham, E2V, MA-COM, Hittite, Mini-Circuits, General Dynamics и др.);

Компания «Океан Электроники» является официальным дистрибьютором и эксклюзивным представителем в России одного из крупнейших производителей разъемов военного и аэрокосмического назначения «JONHON», а так же официальным дистрибьютором и эксклюзивным представителем в России производителя высокотехнологичных и надежных решений для передачи СВЧ сигналов «FORSTAR».



JONHON

«JONHON» (основан в 1970 г.)

Разъемы специального, военного и аэрокосмического назначения:

(Применяются в военной, авиационной, аэрокосмической, морской, железнодорожной, горно- и нефтедобывающей отраслях промышленности)

«FORSTAR» (основан в 1998 г.)

ВЧ соединители, коаксиальные кабели, кабельные сборки и микроволновые компоненты:

(Применяются в телекоммуникациях гражданского и специального назначения, в средствах связи, РЛС, а так же военной, авиационной и аэрокосмической отраслях промышленности).



Телефон: 8 (812) 309-75-97 (многоканальный)

Факс: 8 (812) 320-03-32

Электронная почта: ocean@oceanchips.ru

Web: <http://oceanchips.ru/>

Адрес: 198099, г. Санкт-Петербург, ул. Калинина, д. 2, корп. 4, лит. А