

## SPECIFICATION

**CUSTOMER :** \_\_\_\_\_

**MODULE NO.:** EA TFT057-32ANN

|   |  |
|---|--|
| <p style="text-align: center;"><b>APPROVED BY:</b></p> <p>( FOR CUSTOMER USE ONLY )</p> | <p><b>PCB VERSION:</b> _____</p> <p><b>DATA:</b> _____</p> |
|---|--|

| SALES BY                       | APPROVED BY | CHECKED BY | PREPARED BY |
|--------------------------------|-------------|------------|-------------|
|                                |             |            |             |
| <b>ISSUED DATE: 2018/06/18</b> |             |            |             |

# Content

1. Summary
2. General Specification
3. Absolute Maximum Ratings
4. Electrical Characteristics
5. DC Characteristics
6. AC Characteristics
7. Optical Characteristics
8. Interface
9. Block Diagram
10. Reliability
11. Contour Drawing

# 1. Summary

This technical specification applies to 5.7' color TFT-LCD panel. The 5.7' color TFT-LCD panel is designed for camcorder, digital camera application and other electronic products which require high quality flat panel displays. This module follows RoHS.

## **1.1. Accessories**

ZIF connector for display, bottom contact

ZIF connector for display, top contact

**EA WF050-40S**

**EA WF050-40ST**

## 2. General Specifications

| Item                           | Dimension                           | Unit |
|--------------------------------|-------------------------------------|------|
| Size                           | 5.7                                 | inch |
| Dot Matrix                     | 320 x RGBx240(TFT)                  | dots |
| Module dimension               | 141.12(W) x 101.55(H) x 6.5(D)(MAX) | mm   |
| Active area                    | 115.2 x 86.40                       | mm   |
| Dot pitch                      | 0.12 x 0.36                         | mm   |
| LCD type                       | TFT, Normally White, Transmissive   |      |
| View Direction                 | 12 o'clock                          |      |
| Gray Scale Inversion Direction | 6 o'clock                           |      |
| Backlight Type                 | LED, Normally White                 |      |
| With /Without TP               | Without TP                          |      |
| Surface                        | Glare                               |      |

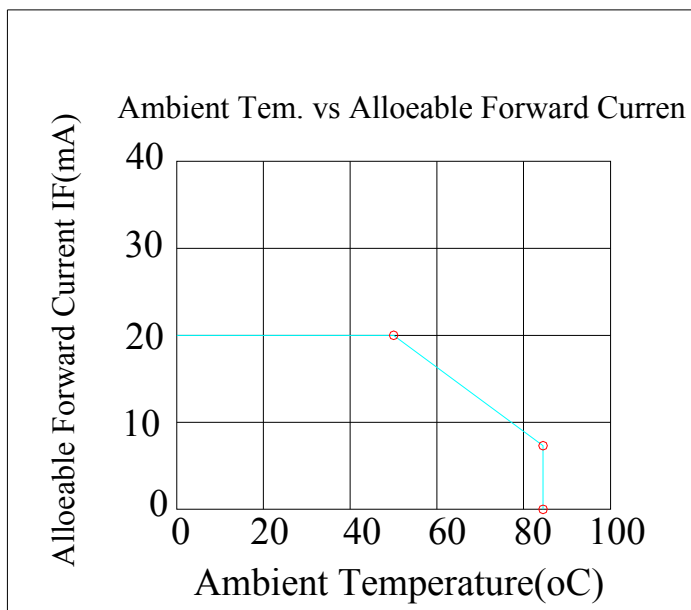
\*Color tone slight changed by temperature and driving voltage.

## 3. Absolute Maximum Ratings

| Item                  | Symbol | Min | Typ | Max | Unit |
|-----------------------|--------|-----|-----|-----|------|
| Operating Temperature | TOP    | -20 | —   | +70 | °C   |
| Storage Temperature   | TST    | -30 | —   | +80 | °C   |

Note: Device is subject to be damaged permanently if stresses beyond those absolute maximum ratings listed above

1. Temp.  $\leq 60^{\circ}\text{C}$ , 90% RH MAX. Temp.  $> 60^{\circ}\text{C}$ , Absolute humidity shall be less than 90% RH at  $60^{\circ}\text{C}$



## 4. Electrical Characteristics

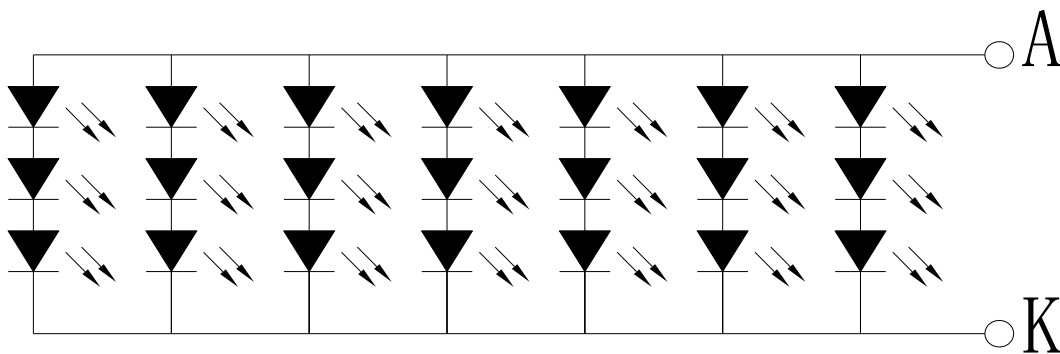
### 4.1. Operating conditions:

| Item                     | Symbol          | Condition | Min | Typ | Max | Unit |
|--------------------------|-----------------|-----------|-----|-----|-----|------|
| Supply Voltage For Logic | VCC             | —         | 3.0 | 3.3 | 3.6 | V    |
| Supply Current           | I <sub>cc</sub> | VCC=3.3V  | —   | 140 | 210 | mA   |

### 4.2. LED driving conditions

| Parameter         | Symbol | Min. | Typ.   | Max. | Unit | Remark     |
|-------------------|--------|------|--------|------|------|------------|
| LED current       |        | -    | 140    | -    | mA   |            |
| Power Consumption |        | 1260 |        | 1470 | mW   |            |
| LED voltage       | VBL+   | 9.0  |        | 10.5 | V    | Note 1     |
| LED Life Time     |        |      | 50,000 |      | Hr   | Note 2,3,4 |

Note 1 : There are 1 Groups LED



Note 2 : T<sub>a</sub> = 25 °C

Note 3 : Brightness to be decreased to 50% of the initial value

Note 4 : The single LED lamp case.

## 5.DC CHARATERISTICS

| Parameter                | Symbol   | Rating |     |        | Unit | Condition |
|--------------------------|----------|--------|-----|--------|------|-----------|
|                          |          | Min    | Typ | Max    |      |           |
| Low level input voltage  | $V_{IL}$ | 0      | -   | 0.3VCC | V    |           |
| High level input voltage | $V_{IH}$ | 0.7VCC | -   | VCC    | V    |           |

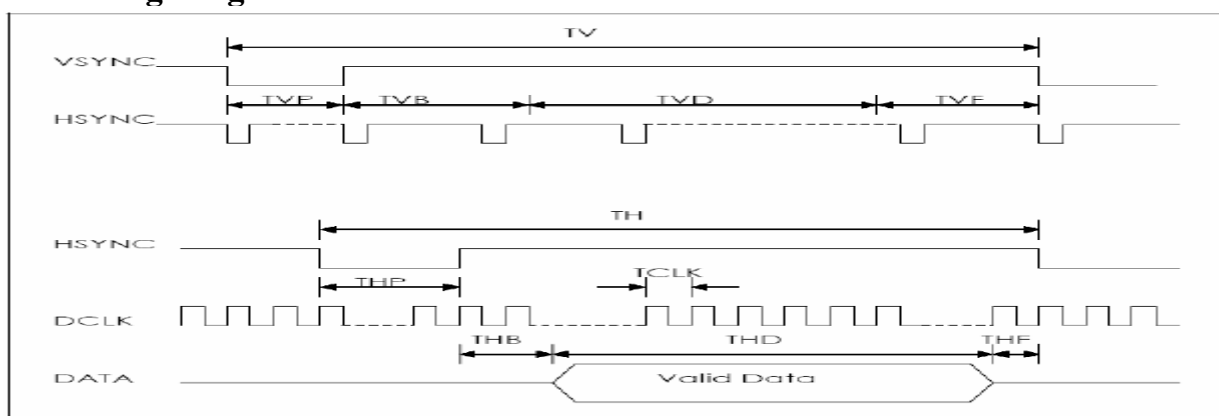
## 6.AC CHARATERISTICS

### 6.1. 24-bits parallel RGB Interface

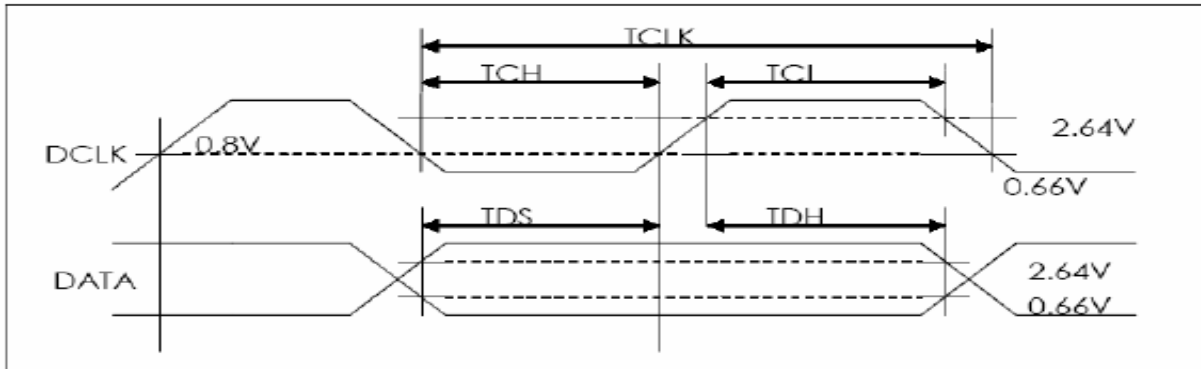
#### AC Timing Characteristics

| Signal | Item           | Symbol | Min. | Typ.  | Max.  | Unit |      |
|--------|----------------|--------|------|-------|-------|------|------|
| Dclk   | Frequency      | Dclk   | -    | 6.4   | -     | MHZ  |      |
|        | High time      | Tch    | -    | 78    | -     | ns   |      |
|        | Low time       | Tcl    | -    | 78    | -     | ns   |      |
| Data   | Setup time     | Tds    | 12   | -     | -     | ns   |      |
|        | Hold time      | Tdh    | 12   | -     | -     | ns   |      |
| Hsync  | Period         | TH     | -    | 408   | -     | DCLK |      |
|        | Pulse Width    | Thp    | -    | 30    | -     | DCLK |      |
|        | Back-Porch     | Thb    | -    | 38    | -     | DCLK |      |
|        | Display Period | Thd    | -    | 320   | -     | DCLK |      |
|        | Front-Porch    | Thf    | -    | 20    | -     | DCLK |      |
| Vsync  | Period         | NTSC   | TV   | -     | 262.5 | -    | DCLK |
|        |                | PAL    |      | 312.5 | -     |      |      |
|        | Pulse Width    |        | Tvp  | 1     | 3     | 5    | TH   |
|        | Back-Porch     | NTSC   | Tvb  | -     | 15    | -    | TH   |
|        |                | PAL    |      | 23    | -     |      |      |
|        | Display Period |        | Tvd  | -     | 240   | -    | TH   |
|        | Front-Porch    | NTSC   | Tvf  | -     | 4.5   | -    | TH   |
| PAL    |                | 46.5   |      | -     |       |      |      |

#### AC Timing Diagrams







## 7. Optical Characteristics

| Item   | Symbol | Condition.                        | Min          | Typ.  | Max.  | Unit              | Remark            |            |
|--|--------|-----------------------------------|--------------|-------|-------|-------------------|-------------------|------------|
| Response time  | Tr     | $\theta=0^\circ$ 、 $\Phi=0^\circ$ | -            | 15    | 30    | .ms               | Note 3,5          |            |
|  | Tf     |                                   | -            | 35    | 50    | .ms               |                   |            |
| Contrast ratio                                       | CR     | At optimized viewing angle        | 150          | 250   | -     | -                 | Note 4,5          |            |
| Color Chromaticity                                   | White  | $\theta=0^\circ$ 、 $\Phi=0^\circ$ | Wx           | 0.282 | 0.312 | 0.342             |                   | Note 2,6,7 |
|  |        |                                   | Wy           | 0.319 | 0.349 | 0.379             |                   |            |
| Viewing angle<br>(Gray Scale Inversion<br>Direction) | Hor.   | $\Theta_R$                        | $CR \geq 10$ | 60    | 70    |                   | Deg.              | Note 1     |
|  |        | $\Theta_L$                        |              | 60    | 70    |                   |                   |            |
|  | Ver.   | $\Phi_T$                          |              | 40    | 50    |                   |                   |            |
|  |        | $\Phi_B$                          |              | 60    | 70    |                   |                   |            |
| Brightness   | -      | -                                 | 400          | 500   |       | cd/m <sup>2</sup> | Center of display |            |

Ta=25±2°C, IL=140mA

Note 1: Definition of viewing angle range

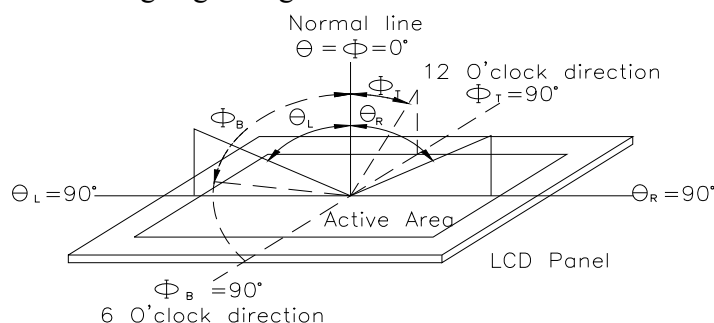


Fig.8.1. Definition of viewing angle

Note 2: Test equipment setup:

After stabilizing and leaving the panel alone at a driven temperature for 10 minutes, the measurement should be executed. Measurement should be executed in a stable, windless, and dark room. Optical specifications are measured by Topcon BM-7orBM-5 luminance meter 1.0° field of view at a distance of 50cm and normal direction.

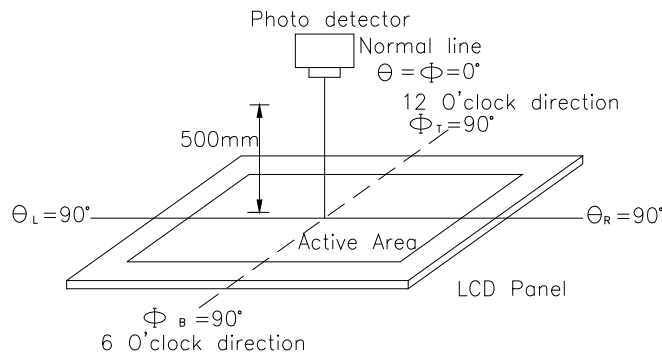
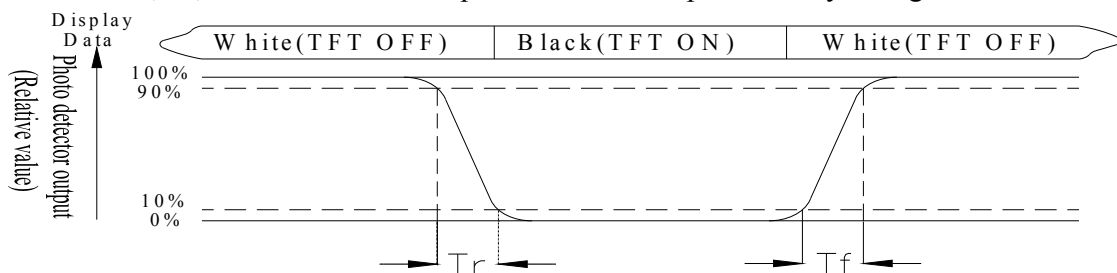


Fig. 8.2. Optical measurement system setup

Note 3: Definition of Response time:

The response time is defined as the LCD optical switching time interval between “White” state and “Black” state. Rise time,  $T_r$ , is the time between photo detector output intensity changed from 90% to 10%. And fall time,  $T_f$ , is the time between photo detector output intensity changed from 10% to 90%



Note 4: Definition of contrast ratio:

The contrast ratio is defined as the following expression.

$$\text{Contrast ratio (CR)} = \frac{\text{Luminance measured when LCD on the "White" state}}{\text{Luminance measured when LCD on the "Black" state}}$$

Note 5: White  $V_i = V_{i50} \pm 1.5V$

Black  $V_i = V_{i50} \pm 2.0V$

“±” means that the analog input signal swings in phase with VCOM signal.

“±” means that the analog input signal swings out of phase with VCOM signal.

The 100% transmission is defined as the transmission of LCD panel when all the input terminals of module are electrically opened.

Note 6: Definition of color chromaticity (CIE 1931)

Color coordinates measured at the center point of LCD

Note 7: Measured at the center area of the panel when all the input terminals of LCD panel are electrically opened.

## 8. Interface

### 8.1. LCM PIN Definition

| Pin | Symbol | Function   | Remark  |
|-----|--------|--|---------|
| 1   | NC     | No connection  |         |
| 2   | NC     | No connection  |         |
| 3   | GND    | System ground pin of the IC. Connect to system ground.     |         |
| 4   | VCC    | Power Supply   |         |
| 5   | R0     | Red Data bit(LSB)  |         |
| 6   | R1     | Red Data bit   |         |
| 7   | R2     | Red Data bit   |         |
| 8   | R3     | Red Data bit   |         |
| 9   | R4     | Red Data bit   |         |
| 10  | R5     | Red Data bit   |         |
| 11  | R6     | Red Data bit   |         |
| 12  | R7     | Red Data bit (MSB)   |         |
| 13  | G0     | Green Data bit(LSB)  |         |
| 14  | G1     | Green Data bit   |         |
| 15  | G2     | Green Data bit   |         |
| 16  | G3     | Green Data bit   |         |
| 17  | G4     | Green Data bit   |         |
| 18  | G5     | Green Data bit   |         |
| 19  | G6     | Green Data bit   |         |
| 20  | G7     | Green Data bit (MSB)                                       |         |
| 21  | B0     | Blue Data bit(LSB)   |         |
| 22  | B1     | Blue Data bit  |         |
| 23  | B2     | Blue Data bit  |         |
| 24  | B3     | Blue Data bit  |         |
| 25  | B4     | Blue Data bit  |         |
| 26  | B5     | Blue Data bit  |         |
| 27  | B6     | Blue Data bit  |         |
| 28  | B7     | Blue Data bit (MSB)  |         |
| 29  | GND    | System ground pin of the IC. Connect to system ground.     |         |
| 30  | CLK    | Dot data clock   |         |
| 31  | L/R    | Shift direction of device internal shift register control. | Note2,3 |
| 32  | Hsync  | Horizontal sync signal                                     | Note1   |
| 33  | Vsync  | Vertical sync signal                                       | Note1   |
| 34  | DE     | Data Enable signal   | Note1   |
| 35  | U/D    | Up/down selection  | Note2,3 |
| 36  | RESET  | Hardware reset   |         |
| 37  | NC     | No connection  |         |
| 38  | NC     | No connection  |         |
| 39  | NC     | No connection  |         |
| 40  | NC     | No connection  |         |

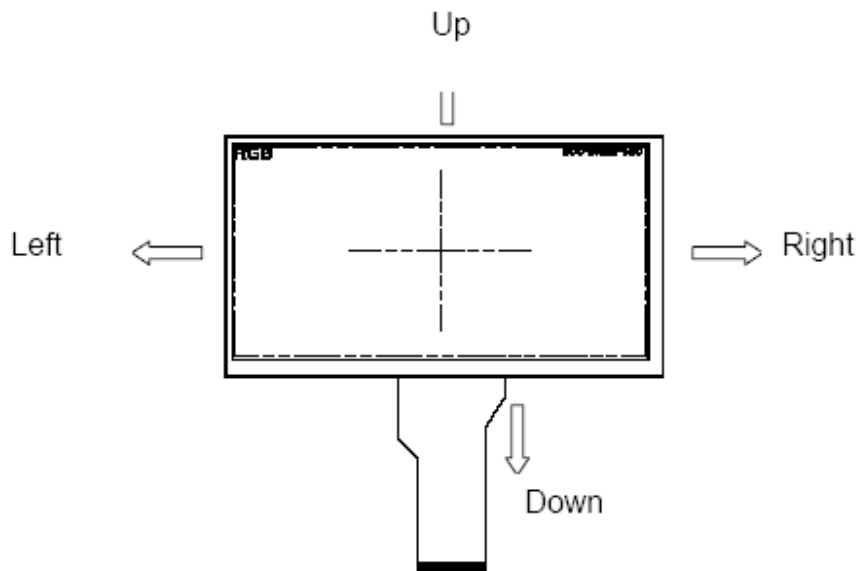
For digital 24Bit RGB input data format, both SYNC mode and DE mode are supported. If DE signal is fixed low, SYNC mode is used. Otherwise, DE mode is used. Suggest used SYNC mode!!

| Mode       | D[23:16] | D[15:8] | D[7:0] | IHS                  | IVS                  | DEN                                  |
|------------|----------|---------|--------|----------------------|----------------------|--------------------------------------|
| 24 bit RGB | R[7:0]   | G[7:0]  | B[7:0] | HSYNC                | VSYNC                | DE signal is fixed low for SYNC mode |
|            |          |         |        | Floating if not used | Floating if not used | DE for DE Mode                       |

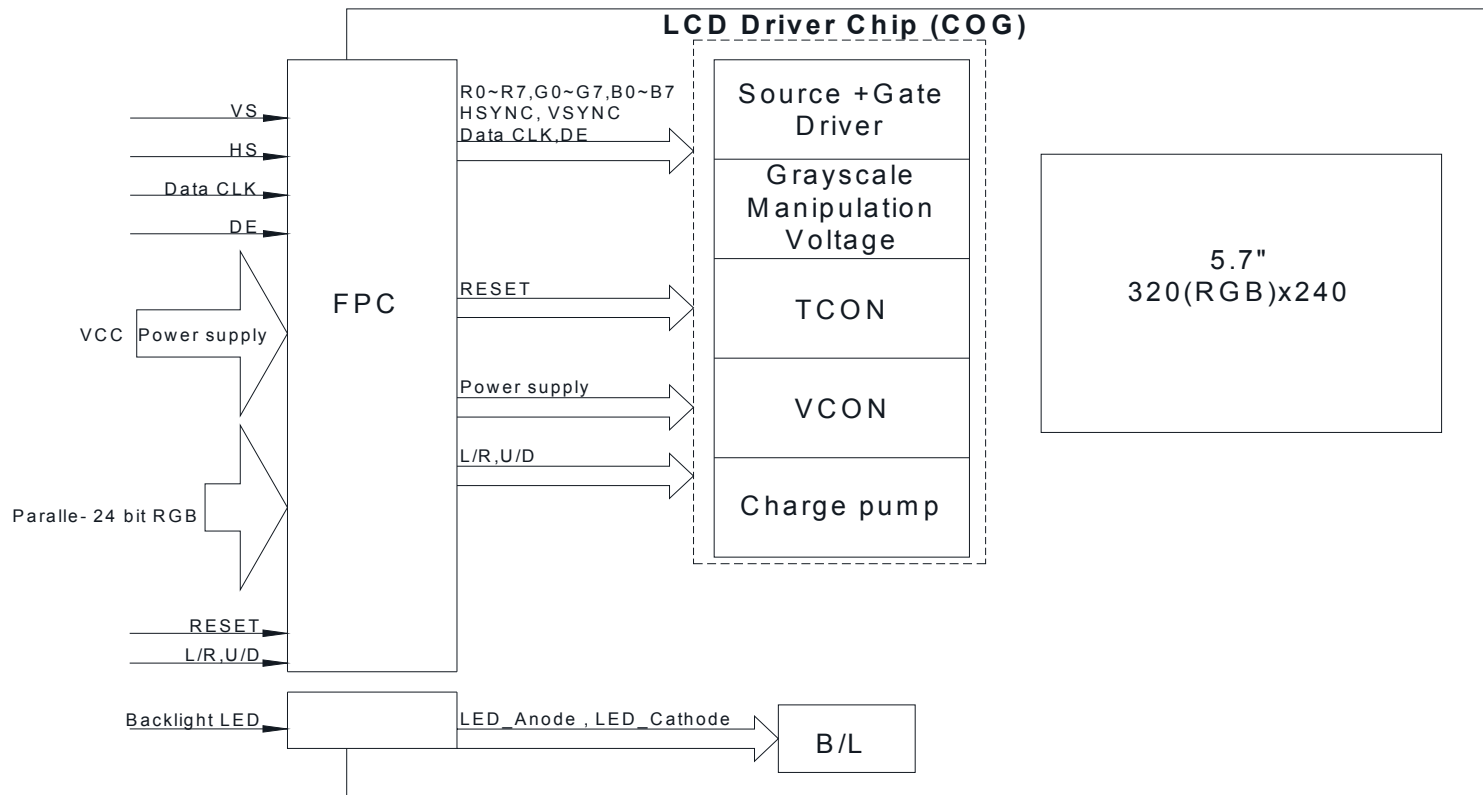
Note 2: Selection of scanning mode

| Setting of scan control input |     | Scanning direction        |
|-------------------------------|-----|---------------------------|
| U/D                           | L/R |                           |
| GND                           | VCC | Up to down, left to right |
| VCC                           | GND | Down to up, right to left |
| GND                           | GND | Up to down, right to left |
| VCC                           | VCC | Down to up, left to right |

Note 3: Definition of scanning direction. Refer to the figure as below:



## 9. Block Diagram



## 10. Reliability

Content of Reliability Test (Wide temperature, -20°C~70°C)

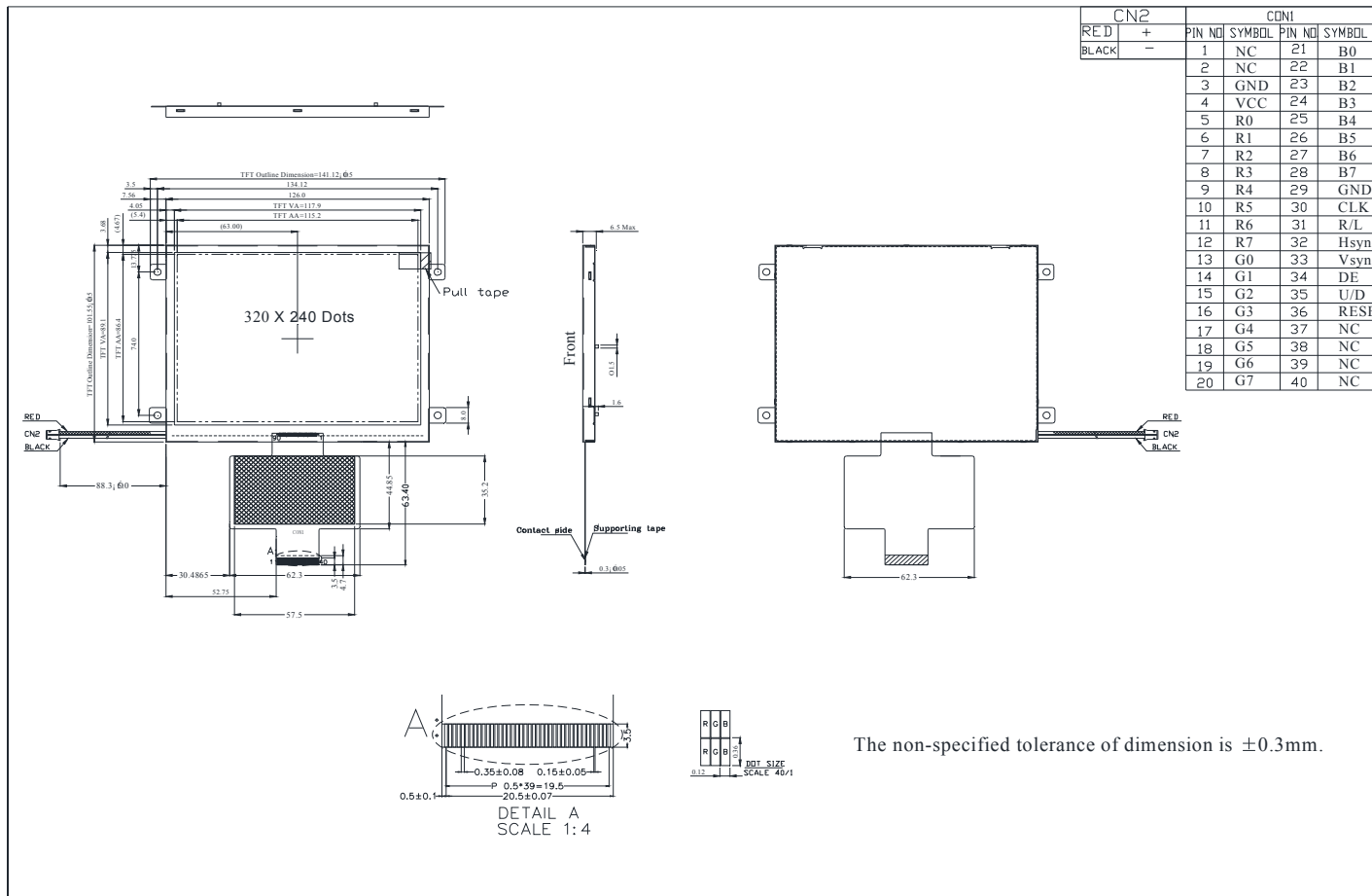
| <b>Environmental Test</b>            |  |  |             |
|--------------------------------------|--|--|-------------|
| <b>Test Item</b>                     | <b>Content of Test</b>   | <b>Test Condition</b>  | <b>Note</b> |
| High Temperature storage             | Endurance test applying the high storage temperature for a long time.  | 80°C<br>200hrs   | 2           |
| Low Temperature storage              | Endurance test applying the low storage temperature for a long time.   | -30°C<br>200hrs  | 1,2         |
| High Temperature Operation           | Endurance test applying the electric stress (Voltage & Current) and the thermal stress to the element for a long time.   | 70°C<br>200hrs   | —           |
| Low Temperature Operation            | Endurance test applying the electric stress under low temperature for a long time.   | -20°C<br>200hrs  | 1           |
| High Temperature/ Humidity Operation | The module should be allowed to stand at 60°C, 90%RH max   | 60°C, 90%RH<br>96hrs   | 1,2         |
| Thermal shock resistance             | The sample should be allowed stand the following 10 cycles of operation<br><div style="text-align: center;"> <p style="margin: 0;">-20°C    25°C    70°C</p> <p style="margin: 0;">30min    5min    30min</p> <p style="margin: 0;">1 cycle</p> </div> | -20°C/70°C<br>10 cycles  | —           |
| Vibration test                       | Endurance test applying the vibration during transportation and using.   | Total fixed amplitude : 15mm<br>Vibration Frequency : 10~55Hz<br>One cycle 60 seconds to 3 directions of X, Y, Z for Each 15 minutes | 3           |
| Static electricity test              | Endurance test applying the electric stress to the terminal.   | VS=±600V(contact),<br>±800v(air),<br>RS=330Ω<br>CS=150pF<br>10 times   | —           |

Note1: No dew condensation to be observed.

Note2: The function test shall be conducted after 4 hours storage at the normal Temperature and humidity after remove from the test chamber.

Note3: The packing have to including into the vibration testing.

# 11. Contour Drawing





Компания «Океан Электроники» предлагает заключение долгосрочных отношений при поставках импортных электронных компонентов на взаимовыгодных условиях!

Наши преимущества:

- Поставка оригинальных импортных электронных компонентов напрямую с производств Америки, Европы и Азии, а так же с крупнейших складов мира;
- Широкая линейка поставок активных и пассивных импортных электронных компонентов (более 30 млн. наименований);
- Поставка сложных, дефицитных, либо снятых с производства позиций;
- Оперативные сроки поставки под заказ (от 5 рабочих дней);
- Экспресс доставка в любую точку России;
- Помощь Конструкторского Отдела и консультации квалифицированных инженеров;
- Техническая поддержка проекта, помощь в подборе аналогов, поставка прототипов;
- Поставка электронных компонентов под контролем ВП;
- Система менеджмента качества сертифицирована по Международному стандарту ISO 9001;
- При необходимости вся продукция военного и аэрокосмического назначения проходит испытания и сертификацию в лаборатории (по согласованию с заказчиком);
- Поставка специализированных компонентов военного и аэрокосмического уровня качества (Xilinx, Altera, Analog Devices, Intersil, Interpoint, Microsemi, Actel, Aeroflex, Peregrine, VPT, Syfer, Eurofarad, Texas Instruments, MS Kennedy, Miteq, Cobham, E2V, MA-COM, Hittite, Mini-Circuits, General Dynamics и др.);

Компания «Океан Электроники» является официальным дистрибьютором и эксклюзивным представителем в России одного из крупнейших производителей разъемов военного и аэрокосмического назначения «JONHON», а так же официальным дистрибьютором и эксклюзивным представителем в России производителя высокотехнологичных и надежных решений для передачи СВЧ сигналов «FORSTAR».



## JONHON

«JONHON» (основан в 1970 г.)

Разъемы специального, военного и аэрокосмического назначения:

(Применяются в военной, авиационной, аэрокосмической, морской, железнодорожной, горно- и нефтедобывающей отраслях промышленности)

«FORSTAR» (основан в 1998 г.)

ВЧ соединители, коаксиальные кабели, кабельные сборки и микроволновые компоненты:

(Применяются в телекоммуникациях гражданского и специального назначения, в средствах связи, РЛС, а так же военной, авиационной и аэрокосмической отраслях промышленности).



Телефон: 8 (812) 309-75-97 (многоканальный)

Факс: 8 (812) 320-03-32

Электронная почта: [ocean@oceanchips.ru](mailto:ocean@oceanchips.ru)

Web: <http://oceanchips.ru/>

Адрес: 198099, г. Санкт-Петербург, ул. Калинина, д. 2, корп. 4, лит. А