

### General Description

The LM2575 series of monolithic integrated circuits provide all the active functions for a step-down (buck) switching regulator. Fixed versions are available with a 3.3V, 5V, 12V, fixed output. Adjustable versions have an output voltage range from 1.23V to 37V. Both versions are capable of driving a 1A load with excellent line and load regulation.

These regulators are simple to use because they require a minimum number of external components and include internal frequency compensation and a fixed-frequency oscillator.

The LM2575 series offers a high efficiency replacement for popular three-terminal adjustable linear regulators. It substantially reduces the size of the heat sink, and in many cases no heat sink is required.

A standard series of inductors available from several different manufacturers are ideal for use with the LM2575 series. This feature greatly simplifies the design of switch-mode power supplies.

The feedback voltage is guaranteed to  $\pm 2\%$  tolerance for adjustable versions, and the output voltage is guaranteed to  $\pm 3\%$  for fixed versions, within specified input voltages and output load conditions. The oscillator frequency is guaranteed to  $\pm 10\%$ . External shutdown is included, featuring less than  $200\mu\text{A}$  standby current. The output switch includes cycle-by-cycle current limiting and thermal shutdown for full protection under fault conditions.

Data sheets and support documentation can be found on Micrel's web site at [www.micrel.com](http://www.micrel.com).

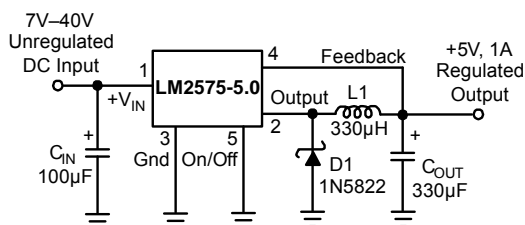
### Features

- 3.3V, 5V, 12V, and adjustable output versions
- Voltage over specified line and load conditions:
  - Fixed version:  $\pm 3\%$  max. output voltage
  - Adjustable version:  $\pm 2\%$  max. feedback voltage
- Guaranteed 1A output current
- Wide input voltage range
  - 4V to 40V
- Wide output voltage range
  - 1.23V to 37V
- Requires only 4 external components
- 52kHz fixed frequency internal oscillator
- Low power standby mode IQ typically  $< 200\mu\text{A}$
- 80% efficiency (adjustable version typically  $> 80\%$ )
- Uses readily available standard inductors
- Thermal shutdown and current limit protection
- 100% electrical thermal limit burn-in

### Applications

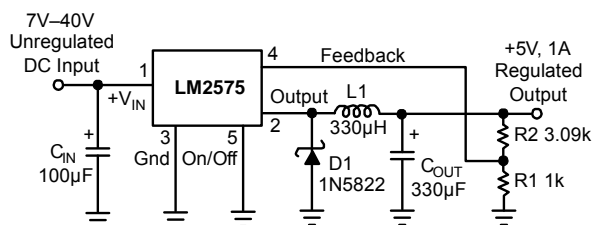
- Simple high-efficiency step-down (buck) regulator
- Efficient pre-regulator for linear regulators
- On-card switching regulators
- Positive to negative converter (inverting Buck-Boost)
- Isolated flyback converter using minimum number of external components
- Negative boost converter

### Typical Applications



Note: Pin numbers are for TO-220 Package

**Fixed Regulation in Typical Application**



Note: Pin numbers are for TO-220 Package

$$V_{OUT} = 1.23 \left( 1 + \frac{R2}{R1} \right)$$

**Adjustable Regulation in Fixed Output Application**

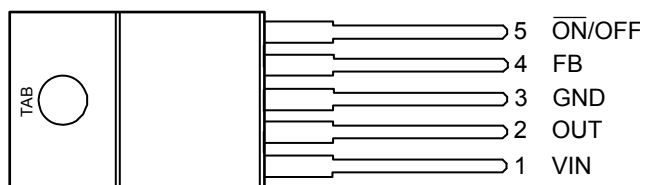
## Ordering Information

Part Number		Temperature Range	Package
Standard	Pb-Free / RoHS Compliant		
LM2575BN*	Contact Factory	-40° to +85°C	16-Pin Plastic DIP
LM2575-3.3BN	Contact Factory	-40° to +85°C	16-Pin Plastic DIP
LM2575-5.0BN	LM2575-5.0YN	-40° to +85°C	16-Pin Plastic DIP
LM2575-12BN	LM2575-12YN	-40° to +85°C	16-Pin Plastic DIP
LM2575BWM*	LM2575YWM*	-40° to +85°C	24-Pin Wide SOIC
LM2575-3.3BWM	LM2575-3.3YWM	-40° to +85°C	24-Pin Wide SOIC
LM2575-5.0BWM	LM2575-5.0YWM	-40° to +85°C	24-Pin Wide SOIC
LM2575-12BWM	LM2575-12YWM	-40° to +85°C	24-Pin Wide SOIC
LM2575BT*†	LM2575WT*/**	-40° to +85°C	5-Pin TO-220
LM2575-3.3BT†	LM2575-3.3WT**	-40° to +85°C	5-Pin TO-220
LM2575-5.0BT†	LM2575-5.0WT**	-40° to +85°C	5-Pin TO-220
LM2575-12BT†	LM2575-12WT**	-40° to +85°C	5-Pin TO-220
LM2575BU*	LM2575WU*/**	-40° to +85°C	5-Pin TO-263
LM2575-3.3BU	LM2575-3.3WU**	-40° to +85°C	5-Pin TO-263
LM2575-5.0BU	LM2575-5.0WU**	-40° to +85°C	5-Pin TO-263
LM2575-12BU	LM2575-12WU**	-40° to +85°C	5-Pin TO-263

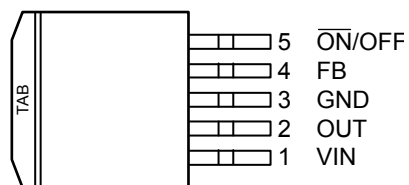
**Notes:**

- \* Adjustable output regulators.
- \*\* RoHS compliant with "high-melting solder" exemption.
- † Contact factory for bent or staggered leads option.

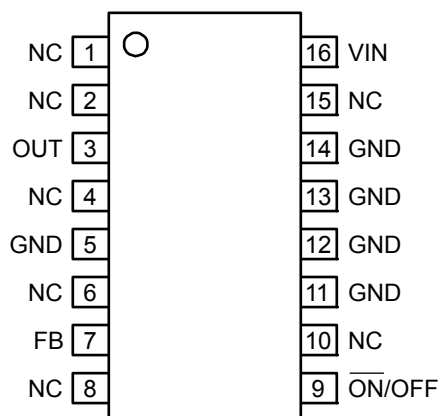
## Pin Configuration



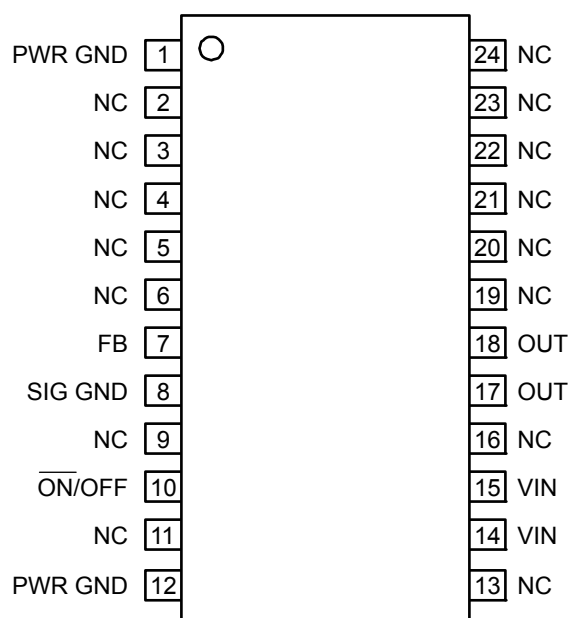
5-Pin TO-220 (T)



5-Pin TO-263 (U)



16-Pin Plastic DIP (N)



24-Pin Wide SOIC (WM)

### Absolute Maximum Ratings<sup>(1)</sup>

Maximum Supply Voltage (V <sub>IN</sub> )	.....45V
ON/OFF Pin Input Voltage	.....-0.3V ≤ V ≤ +40V
Output Voltage to Ground (Steady State)	.....-1V
Power Dissipation	..... Internally Limited
Maximum Junction Temperature	..... 150°C
Lead Temperature (soldering, 10 sec.)	..... 260°C
Storage Temperature (T <sub>s</sub> )	.....-65°C to +150°C
Minimum ESD Rating	
C = 100pF, R = 1.5kΩ	..... 2kV
FB Pin	..... 1kV

### Operating Ratings

Supply Voltage (V <sub>IN</sub> )	.....40V
Junction Temperature Range (T <sub>J</sub> )	.....-40°C ≤ T <sub>J</sub> ≤ +125°C

### Electrical Characteristics

Specifications with standard typeface are for T<sub>J</sub> = 25°C, and those with **boldface type** apply over full Operating Temperature Range. Unless otherwise specified, V<sub>IN</sub> = 12V, and I<sub>LOAD</sub> = 200mA.

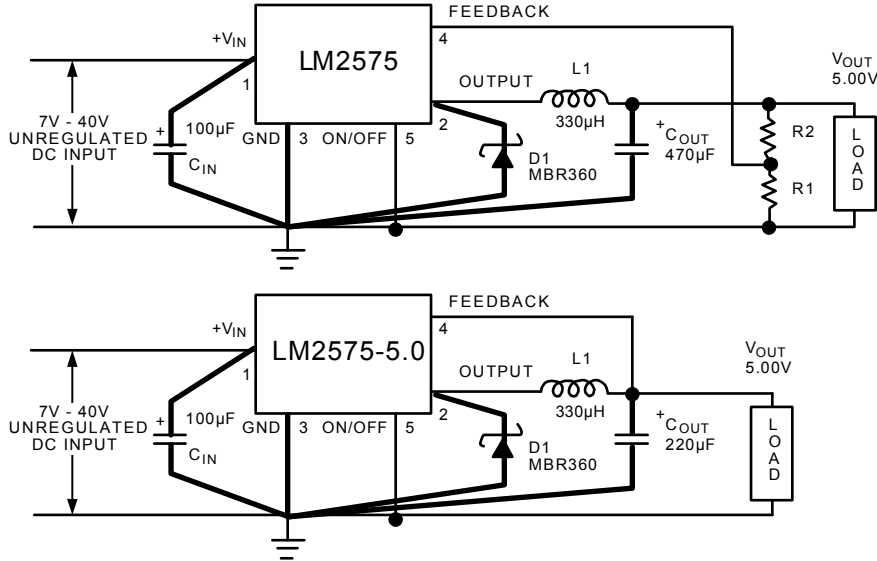
Symbol	Parameter	Condition	Typ	LM2575 Limit (Note 2)	Units (Limits)
<b>SYSTEM PARAMETERS, ADJUSTABLE REGULATORS (Note 3) Test Circuit Figure 1</b>					
V <sub>OUT</sub>	Feedback Voltage	V <sub>IN</sub> = 12V, I <sub>LOAD</sub> = 0.2A V <sub>OUT</sub> = 5V	1.230	1.217 1.243	V V(min) V(max)
	Feedback Voltage LM2575	0.2A ≤ I <sub>LOAD</sub> ≤ 1A, 8V ≤ V <sub>IN</sub> ≤ 40V V <sub>OUT</sub> = 5V	1.230	1.193/ <b>1.180</b> 1.267/ <b>1.280</b>	V V(min) V(max)
η	Efficiency	V <sub>IN</sub> = 12V, I <sub>LOAD</sub> = 1A, V <sub>OUT</sub> = 5V	82		%
<b>SYSTEM PARAMETERS, 3.3V REGULATORS (Note 3) Test Circuit Figure 1</b>					
V <sub>OUT</sub>	Output Voltage	V <sub>IN</sub> = 12V, I <sub>LOAD</sub> = 0.2A V <sub>OUT</sub> = 3.3V	3.3	3.234 3.366	V V(min) V(max)
	Output Voltage LM2575-3.3	0.2A ≤ I <sub>LOAD</sub> ≤ 1A, 8V ≤ V <sub>IN</sub> ≤ 40V V <sub>OUT</sub> = 3.3V	3.3	3.168/ <b>3.135</b> 3.432/ <b>3.465</b>	V V(min) V(max)
η	Efficiency	V <sub>IN</sub> = 12V, I <sub>LOAD</sub> = 1A	75		%
<b>SYSTEM PARAMETERS, 5V REGULATORS (Note 3) Test Circuit Figure 1</b>					
V <sub>OUT</sub>	Output Voltage	V <sub>IN</sub> = 12V, I <sub>LOAD</sub> = 0.2A V <sub>OUT</sub> = 5V	5.0	4.900 5.100	V V(min) V(max)
	Output Voltage LM2575-5.0	0.2A ≤ I <sub>LOAD</sub> ≤ 1A, 8V ≤ V <sub>IN</sub> ≤ 40V V <sub>OUT</sub> = 5V	5.0	4.800/ <b>4.750</b> 5.200/ <b>5.250</b>	V V(min) V(max)
η	Efficiency	V <sub>IN</sub> = 12V, I <sub>LOAD</sub> = 1A	82		%
<b>SYSTEM PARAMETERS, 12V REGULATORS (Note 3) Test Circuit Figure 1</b>					
V <sub>OUT</sub>	Output Voltage	V <sub>IN</sub> = 25V, I <sub>LOAD</sub> = 0.2A V <sub>OUT</sub> = 12V	12	11.760 12.240	V V(min) V(max)
	Output Voltage LM2575-12	0.2A ≤ I <sub>LOAD</sub> ≤ 1A, 15V ≤ V <sub>IN</sub> ≤ 40V V <sub>OUT</sub> = 12V	12	11.520/ <b>11.400</b> 12.480/ <b>12.600</b>	V V(min) V(max)
η	Efficiency	V <sub>IN</sub> = 25V, I <sub>LOAD</sub> = 1A	88		%

Symbol	Parameter	Condition	Typ	LM2575 Limit (Note 2)	Units (Limits)
<b>DEVICE PARAMETERS, ADJUSTABLE REGULATOR</b>					
$I_B$	Feedback Bias Current	$V_{OUT} = 5V$	50	100/ <b>500</b>	nA
<b>DEVICE PARAMETERS, FIXED and ADJUSTABLE REGULATORS</b>					
$f_O$	Oscillator Frequency		52	<b>47/42</b> 58/ <b>63</b>	kHz kHz(min) kHz(max)
$V_{SAT}$	Saturation Voltage	$I_{OUT} = 1A$ ( <b>Note 4</b> )	0.9	<b>1.2/1.4</b>	V V(max)
DC	Max Duty Cycle (ON)	( <b>Note 5</b> )	98	93	% %(max)
$I_{CL}$	Current Limit	Peak Current, $t_{ON} \leq 3\mu s$ ( <b>Note 4</b> )	2.2	<b>1.7/1.3</b> 3.0/ <b>3.2</b>	A A(min) A(max)
$I_L$	Output Leakage Current	$V_{IN} = 40V$ , ( <b>Note 6</b> ), Output = 0V Output = -1V ( <b>Note 6</b> ) Output = -1V	75	2 30	mA(max) mA mA(max)
$I_Q$	Quiescent Current	( <b>Note 6</b> )	5	10	mA mA(max)
$I_{STBY}$	Standby Quiescent Current	ON/OFF Pin = 5V (OFF)	50	200	$\mu A$ $\mu A$ (max)
$\theta_{JA}$	Thermal Resistance	T Package, Junction to Ambient ( <b>Note 7</b> )	65		$^{\circ}C/W$
$\theta_{JA}$		T Package, Junction to Ambient ( <b>Note 8</b> )	45		
$\theta_{JC}$		T Package, Junction to Case	2		
$\theta_{JA}$		N Package, Junction to Ambient ( <b>Note 9</b> )	85		
$\theta_{JA}$		WM Package, Junction to Ambient ( <b>Note 9</b> )	100		
<b>ON/OFF CONTROL, FIXED and ADJUSTABLE REGULATORS Test Circuit Figure 1</b>					
$V_{IH}$ $V_{IL}$	ON/OFF Pin Logic Input Level	$V_{OUT} = 0V$ $V_{OUT} = 5V$	1.4 1.2	<b>2.2/2.4</b> 1.0/ <b>0.8</b>	V(min) V(max)
$I_{IH}$ $I_{IL}$	ON/OFF Pin Logic Current	ON /OFF Pin = 5V (OFF) ON /OFF Pin = 0V (ON)	4 0.01	30 10	$\mu A$ $\mu A$ (max) $\mu A$ $\mu A$ (max)

**Notes:**

1. Absolute Maximum Rating indicate limits beyond which damage to the device may occur. Operating Ratings indicate conditions for which the device is intended to be functional, but do not guarantee specific performance limits. For guaranteed specifications and test conditions, see the Electrical Characteristics.
2. All limits guaranteed at room temperature (standard type face) and at **temperature extremes (bold type face)**. All room temperature limits are 100% production tested. All limits at **temperature extreme** are guaranteed via testing.
3. External components such as the catch diode, inductor, input and output capacitors can affect switching regulator system performance. When the LM2575/LM1575 is used as shown in Figure 1 test circuit, system performance will be shown in system parameters section of Electrical Characteristics.
4. Output (pin 2) sourcing current. No diode, inductor or capacitor connected to output.
5. Feedback (pin 4) removed from output and connected to 0V.
6. Feedback (pin 4) removed from output and connected to 12V to force the output transistor OFF.
7. Junction to ambient thermal resistance (no external heat sink) for the 5-pin TO-220 package mounted vertically, with 1/2" leads in a socket, or on PC board with minimum copper area.
8. Junction to ambient thermal resistance (no external heat sink) for the 5-pin TO-220 package mounted vertically, with 1/4" leads soldered to PC board containing approximately 4 square inches of copper area surrounding the leads.
9. Junction to ambient thermal resistance with approximately 1 square inch of pc board copper surrounding the leads. Additional copper will lower thermal resistance further.

### Test Circuits and Layout Guidelines



$C_{IN}$  — 100 $\mu$ F, 75V Aluminum Electrolytic  
 $C_{OUT}$ — 470 $\mu$ F, 15V Aluminum Electrolytic  
 D1 — Schottky, MBR360  
 L1 — 330 $\mu$ H, 415-0926 (AIE)  
 R1 — 1k, 0.01%  
 R2 — 3.065k, 0.01%  
 5-pin TO-220 socket—2936 (Loranger Mfg. Co.)  
 4-pin TO-3 socket—8112-AG7 (Augat Inc.)

$C_{IN}$  — 100 $\mu$ F, 75V Aluminum Electrolytic  
 $C_{OUT}$ — 330 $\mu$ F, 15V Aluminum Electrolytic  
 D1 — Schottky, MBR360  
 L1 — 330 $\mu$ H, 415-0926 (AIE)  
 5-pin TO-220 socket — 2936 (Loranger Mfg. Co.)  
 4-pin TO-3 socket — 8112-AG7 (Augat Inc.)

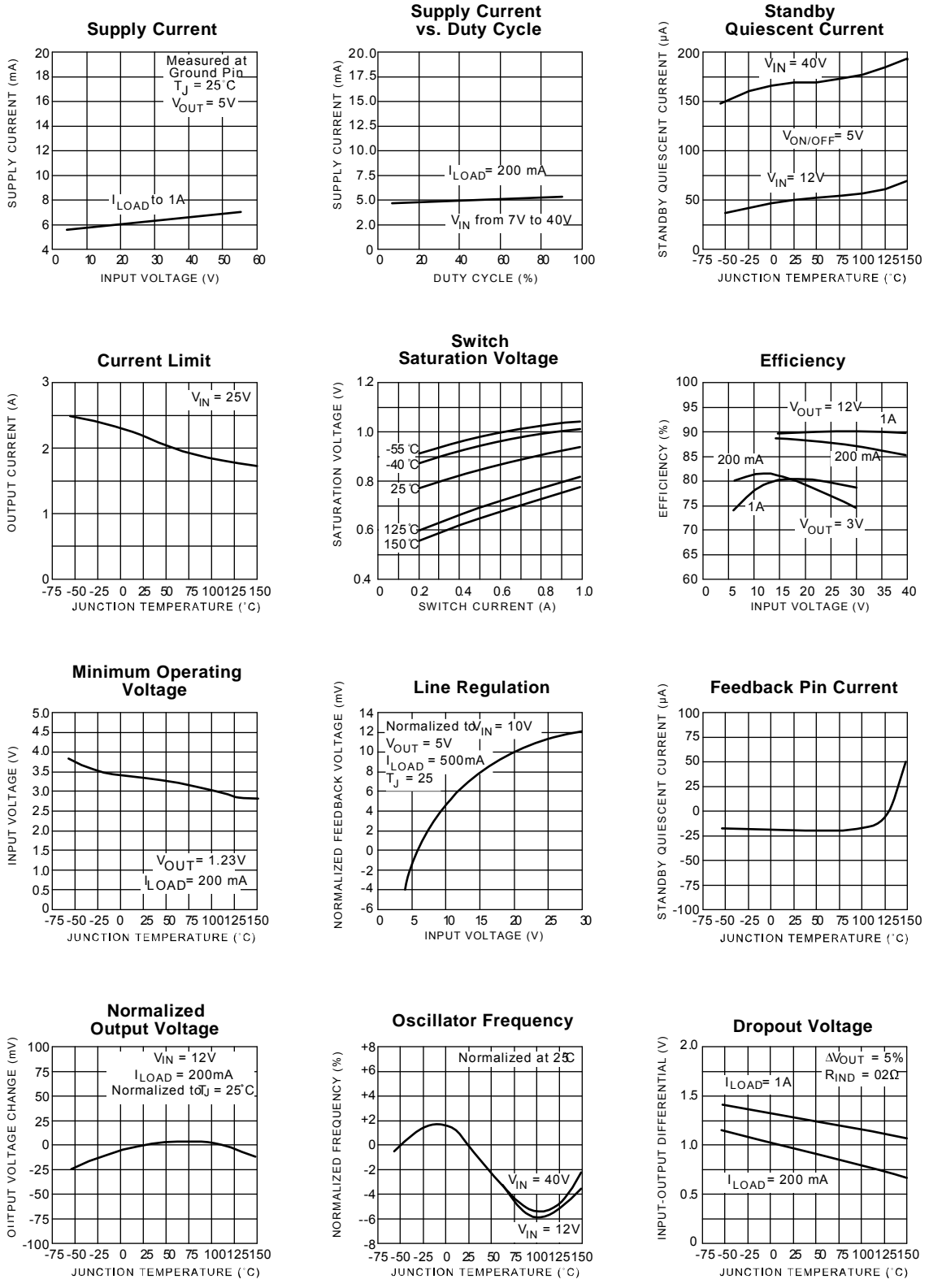
Note: Pin numbers are for TO-220 Package

Figure 1.

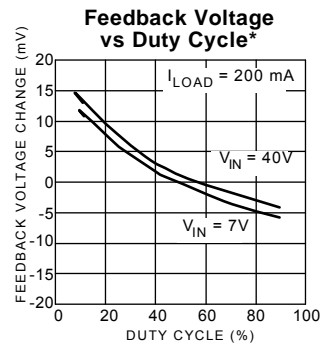
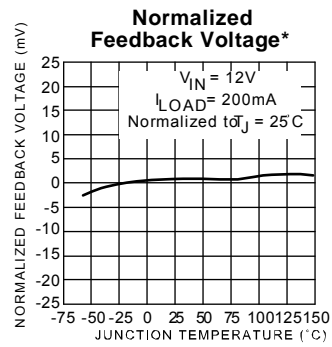
As in any switching regulator, layout is very important. Rapidly switching currents associated with wiring inductance generate voltage transient switch can cause problems. For minimal stray inductance and ground

loops, the length of the leads indicated by heavy lines should be kept as short as possible. Single-point grounding (as indicated) or ground plane construction should be used for best results.

Typical Characteristics (circuit of Figure 1)



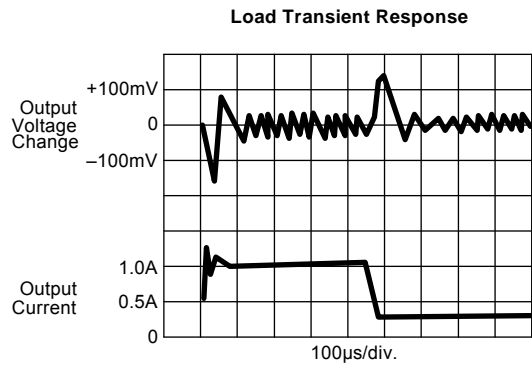
## Typical Characteristics (continued)



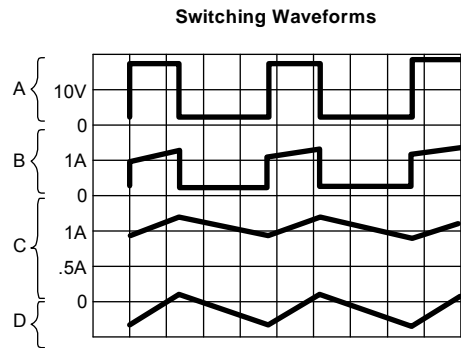
\* Adjustable version only



### Functional Characteristics (circuit of Figure 1)



$V_{OUT} = 5V$

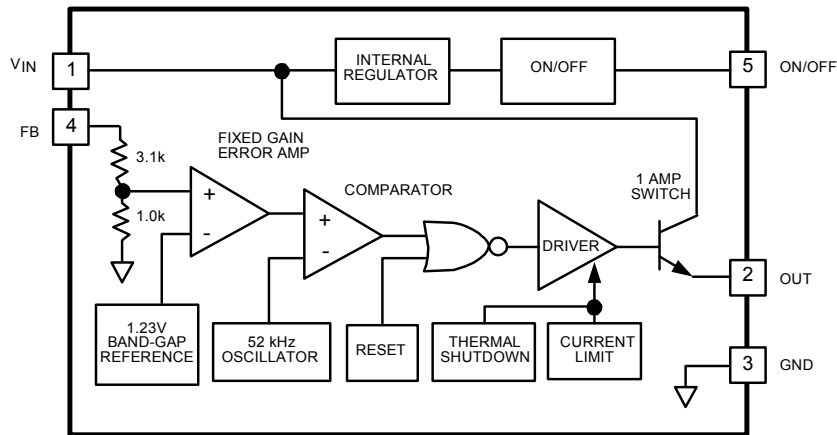


$V_{OUT} = 5V$   $V_{IN} = 20V$

A: Output pin voltage 10V/div  
 B: Output pin current 1A/div  
 C: Inductor current 0.5A/div  
 D: Output ripple voltage 20 mV/div. AC coupled

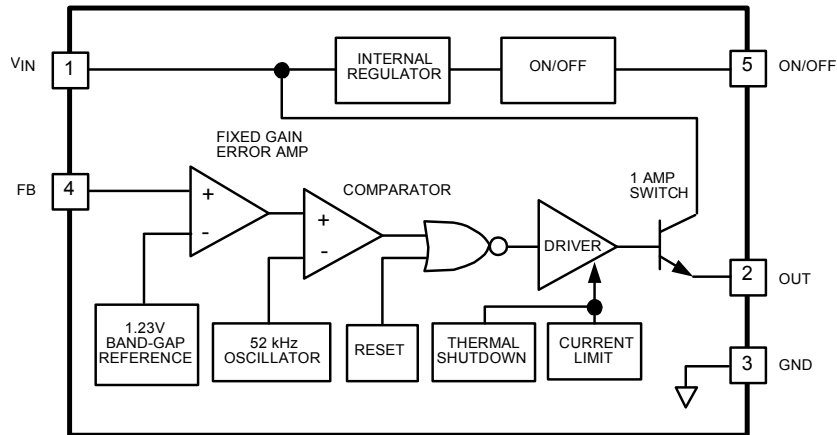
Horizontal Time Base: 5µs/div

### Functional Diagrams



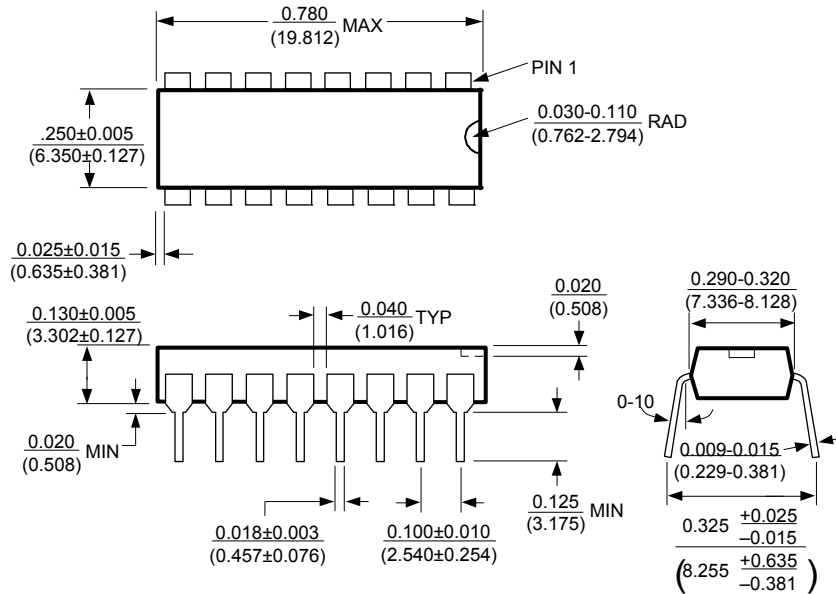
Note: Pin numbers are for the TO-220 package

**Fixed Regulator**

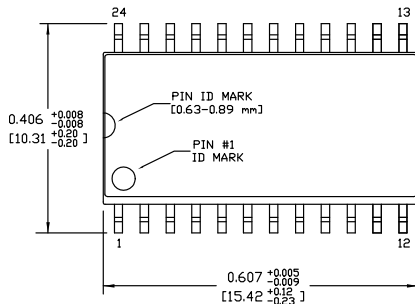


**Adjustable Regulator**

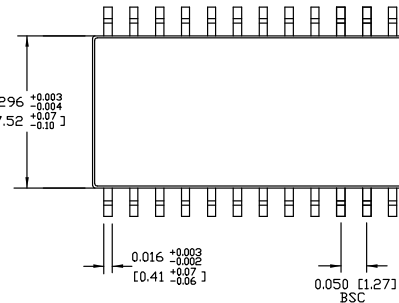
# Package Information



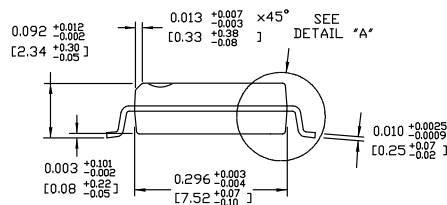
16-Pin Plastic DIP (N)



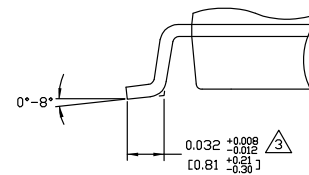
TOP VIEW



BOTTOM VIEW



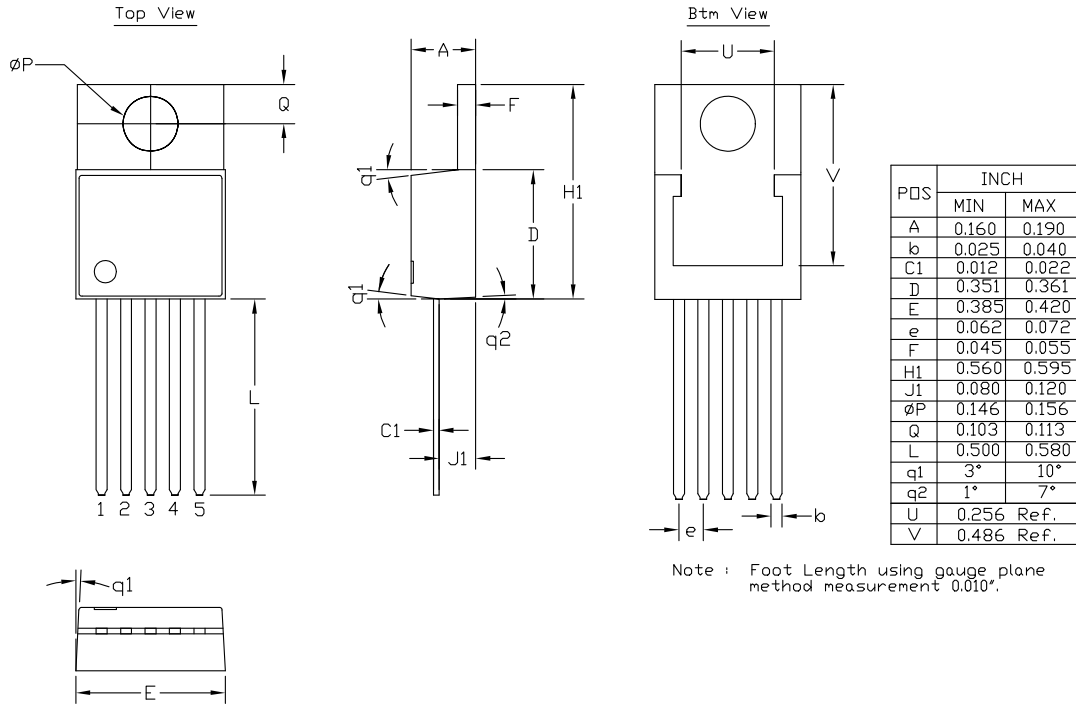
END VIEW



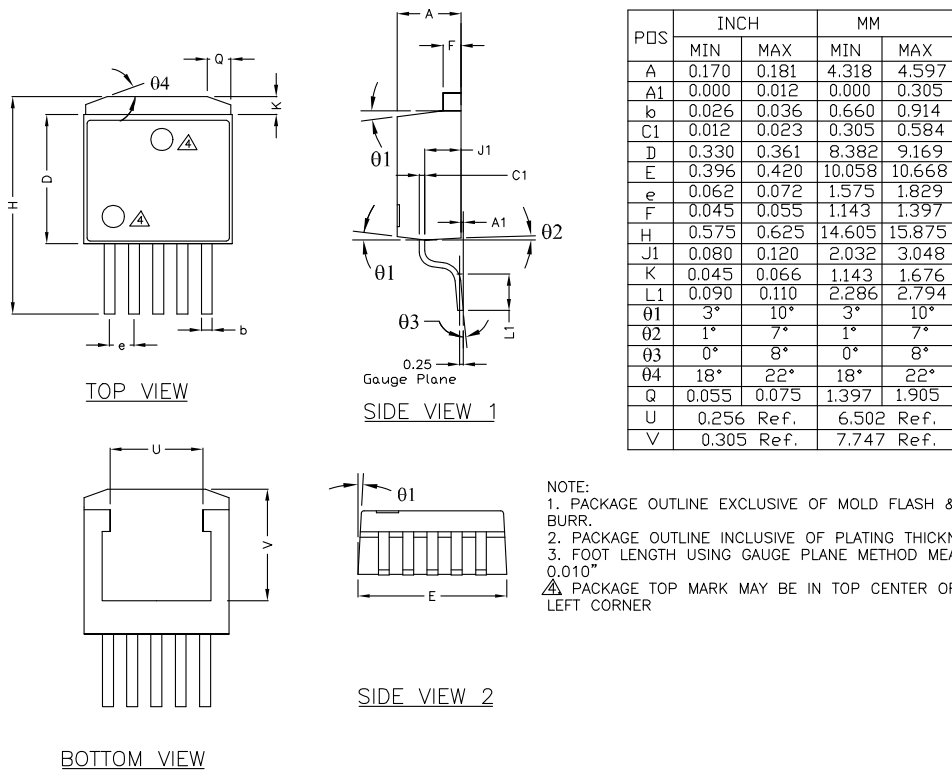
DETAIL "A"

- NOTES:
1. DIMENSIONS ARE IN INCHES[MM].
  2. CONTROLLING DIMENSION: INCHES.
  3. DIMENSION DOES NOT INCLUDE MOLD FLASH OR PROTRUSIONS, EITHER OF WHICH SHALL NOT EXCEED 0.006[0.15] PER SIDE.

24-Pin Wide SOIC (WM)



**5-Pin TO-220 (T)**



**5-Pin TO-263 (T)**

---

**MICREL, INC. 2180 FORTUNE DRIVE SAN JOSE, CA 95131 USA**  
TEL +1 (408) 944-0800 FAX +1 (408) 474-1000 WEB <http://www.micrel.com>

The information furnished by Micrel in this data sheet is believed to be accurate and reliable. However, no responsibility is assumed by Micrel for its use. Micrel reserves the right to change circuitry and specifications at any time without notification to the customer.

Micrel Products are not designed or authorized for use as components in life support appliances, devices or systems where malfunction of a product can reasonably be expected to result in personal injury. Life support devices or systems are devices or systems that (a) are intended for surgical implant into the body or (b) support or sustain life, and whose failure to perform can be reasonably expected to result in a significant injury to the user. A Purchaser's use or sale of Micrel Products for use in life support appliances, devices or systems is a Purchaser's own risk and Purchaser agrees to fully indemnify Micrel for any damages resulting from such use or sale.

© 2000 Micrel, Incorporated.

Компания «Океан Электроники» предлагает заключение долгосрочных отношений при поставках импортных электронных компонентов на взаимовыгодных условиях!

Наши преимущества:

- Поставка оригинальных импортных электронных компонентов напрямую с производств Америки, Европы и Азии, а так же с крупнейших складов мира;
- Широкая линейка поставок активных и пассивных импортных электронных компонентов (более 30 млн. наименований);
- Поставка сложных, дефицитных, либо снятых с производства позиций;
- Оперативные сроки поставки под заказ (от 5 рабочих дней);
- Экспресс доставка в любую точку России;
- Помощь Конструкторского Отдела и консультации квалифицированных инженеров;
- Техническая поддержка проекта, помощь в подборе аналогов, поставка прототипов;
- Поставка электронных компонентов под контролем ВП;
- Система менеджмента качества сертифицирована по Международному стандарту ISO 9001;
- При необходимости вся продукция военного и аэрокосмического назначения проходит испытания и сертификацию в лаборатории (по согласованию с заказчиком);
- Поставка специализированных компонентов военного и аэрокосмического уровня качества (Xilinx, Altera, Analog Devices, Intersil, Interpoint, Microsemi, Actel, Aeroflex, Peregrine, VPT, Syfer, Eurofarad, Texas Instruments, MS Kennedy, Miteq, Cobham, E2V, MA-COM, Hittite, Mini-Circuits, General Dynamics и др.);

Компания «Океан Электроники» является официальным дистрибьютором и эксклюзивным представителем в России одного из крупнейших производителей разъемов военного и аэрокосмического назначения «JONHON», а так же официальным дистрибьютором и эксклюзивным представителем в России производителя высокотехнологичных и надежных решений для передачи СВЧ сигналов «FORSTAR».



## JONHON

«JONHON» (основан в 1970 г.)

Разъемы специального, военного и аэрокосмического назначения:

(Применяются в военной, авиационной, аэрокосмической, морской, железнодорожной, горно- и нефтедобывающей отраслях промышленности)

«FORSTAR» (основан в 1998 г.)

ВЧ соединители, коаксиальные кабели, кабельные сборки и микроволновые компоненты:

(Применяются в телекоммуникациях гражданского и специального назначения, в средствах связи, РЛС, а так же военной, авиационной и аэрокосмической отраслях промышленности).



Телефон: 8 (812) 309-75-97 (многоканальный)

Факс: 8 (812) 320-03-32

Электронная почта: [ocean@oceanchips.ru](mailto:ocean@oceanchips.ru)

Web: <http://oceanchips.ru/>

Адрес: 198099, г. Санкт-Петербург, ул. Калинина, д. 2, корп. 4, лит. А