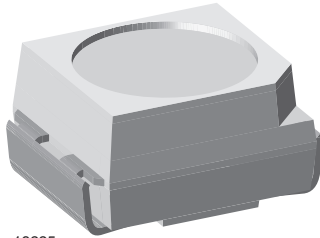




## Power SMD LED PLCC-2



19225

### DESCRIPTION

The VLM.333.. series is an advanced modification of the Vishay VLM.31.. series. It is designed to incorporate larger chips, therefore, capable of withstanding a 50 mA drive current.

The package of the VLM.333.. is the PLCC-2.

It consists of a lead frame which is embedded in a white thermoplast. The reflector inside this package is filled up with clear epoxy.

### PRODUCT GROUP AND PACKAGE DATA

- Product group: LED
- Package: SMD PLCC-2
- Product series: power
- Angle of half intensity:  $\pm 60^\circ$

### FEATURES

- Utilizing latest advanced AllnGaP technology
- Available in 8 mm tape
- Luminous intensity and color categorized per packing unit
- Luminous intensity ratio per packing unit  $I_{Vmax}/I_{Vmin} \leq 1.6$
- Thermal resistance  $R = 400 \text{ K/W}$
- ESD-withstand voltage: Up to 2 kV according to JESD22-A114-B
- Preconditioning according to JEDEC level 2a
- Compatible with reflow, vapor phase and wave solder processes according to CECC 00802 and J-STD-020
- AEC-Q101 qualified
- Material categorization: For definitions of compliance please see [www.vishay.com/doc?99912](http://www.vishay.com/doc?99912)



### APPLICATIONS

- Traffic signals and signs
- Interior and exterior lighting
- Dashboard illumination
- Indicator and backlighting purposes for audio, video, LCDs switches, symbols, illuminated advertising etc

| PARTS TABLE      |             |                          |      |      |                        |                 |      |      |                        |                     |      |      |                        |               |
|------------------|-------------|--------------------------|------|------|------------------------|-----------------|------|------|------------------------|---------------------|------|------|------------------------|---------------|
| PART             | COLOR       | LUMINOUS INTENSITY (mcd) |      |      | at I <sub>F</sub> (mA) | WAVELENGTH (nm) |      |      | at I <sub>F</sub> (mA) | FORWARD VOLTAGE (V) |      |      | at I <sub>F</sub> (mA) | TECHNOLOGY    |
|                  |             | MIN.                     | TYP. | MAX. |                        | MIN.            | TYP. | MAX. |                        | MIN.                | TYP. | MAX. |                        |               |
| VLMS333T2V2-GS08 | Super red   | 355                      | 550  | 1120 | 20                     | 626             | 630  | 639  | 20                     | 1.8                 | 2    | 2.6  | 20                     | AllnGaP on Si |
| VLMS333T2V2-GS18 | Super red   | 355                      | 550  | 1120 | 20                     | 626             | 630  | 639  | 20                     | 1.8                 | 2    | 2.6  | 20                     | AllnGaP on Si |
| VLMR333U1AA-GS08 | Red         | 450                      | 750  | 1400 | 20                     | 619             | 625  | 631  | 20                     | 1.8                 | 2    | 2.6  | 20                     | AllnGaP on Si |
| VLMR333U1AA-GS18 | Red         | 450                      | 750  | 1400 | 20                     | 619             | 625  | 631  | 20                     | 1.8                 | 2    | 2.6  | 20                     | AllnGaP on Si |
| VLMK333U2AB-GS08 | Amber       | 560                      | 850  | 1800 | 20                     | 611             | 616  | 622  | 20                     | 1.8                 | 2.1  | 2.6  | 20                     | AllnGaP on Si |
| VLMK333U2AB-GS18 | Amber       | 560                      | 850  | 1800 | 20                     | 611             | 616  | 622  | 20                     | 1.8                 | 2.1  | 2.6  | 20                     | AllnGaP on Si |
| VLMO333U2AB-GS08 | Soft orange | 560                      | 950  | 1800 | 20                     | 600             | 605  | 611  | 20                     | 1.8                 | 2.1  | 2.6  | 20                     | AllnGaP on Si |
| VLMO333U2AB-GS18 | Soft orange | 560                      | 950  | 1800 | 20                     | 600             | 605  | 611  | 20                     | 1.8                 | 2.1  | 2.6  | 20                     | AllnGaP on Si |
| VLMY333U1AA-GS08 | Yellow      | 450                      | 750  | 1400 | 20                     | 583             | 589  | 594  | 20                     | 1.8                 | 2.15 | 2.6  | 20                     | AllnGaP on Si |
| VLMY333U1AA-GS18 | Yellow      | 450                      | 750  | 1400 | 20                     | 583             | 589  | 594  | 20                     | 1.8                 | 2.15 | 2.6  | 20                     | AllnGaP on Si |

| ABSOLUTE MAXIMUM RATINGS (T <sub>amb</sub> = 25 °C, unless otherwise specified) |  |                   |               |      |
|---|--|-------------------|---------------|------|
| VLM.333...  |  |                   |               |      |
| PARAMETER   | TEST CONDITION                                       | SYMBOL            | VALUE         | UNIT |
| Reverse voltage <sup>(1)</sup>  | Short term application only                          | V <sub>R</sub>    | 5             | V    |
| DC forward current  | T <sub>amb</sub> ≤ 73 °C (400 K/W)                   | I <sub>F</sub>    | 50            | mA   |
| Power dissipation   |  | P <sub>V</sub>    | 130           | mW   |
| Junction temperature  |  | T <sub>j</sub>    | 125           | °C   |
| Operating temperature range   |  | T <sub>amb</sub>  | - 40 to + 100 | °C   |
| Storage temperature range   |  | T <sub>stg</sub>  | - 40 to + 100 | °C   |
| Thermal resistance junction/ambient   | Mounted on PC board (pad size > 16 mm <sup>2</sup> ) | R <sub>thJA</sub> | 400           | K/W  |

#### Note

<sup>(1)</sup> Driving the LED in reverse direction is suitable for a short term application



| <b>OPTICAL AND ELECTRICAL CHARACTERISTICS</b> ( $T_{amb} = 25\text{ }^{\circ}\text{C}$ , unless otherwise specified) |                      |             |                 |      |          |      |               |
|--|----------------------|-------------|-----------------|------|----------|------|---------------|
| <b>VLMS333.., SUPER RED</b>  |                      |             |                 |      |          |      |               |
| PARAMETER  | TEST CONDITION       | PART        | SYMBOL          | MIN. | TYP.     | MAX. | UNIT          |
| Luminous intensity   | $I_F = 20\text{ mA}$ | VLMS333T2V2 | $I_V$           | 355  | 550      | 1120 | mcd           |
| Luminous flux/luminous intensity   |                      |             | $\phi_V/I_V$    | -    | 3        | -    | mlm/mcd       |
| Dominant wavelength  | $I_F = 20\text{ mA}$ |             | $\lambda_d$     | 626  | 630      | 639  | nm            |
| Peak wavelength  | $I_F = 20\text{ mA}$ |             | $\lambda_p$     | -    | 639      | -    | nm            |
| Spectral bandwidth at 50 % $I_{rel\ max.}$   | $I_F = 20\text{ mA}$ |             | $\Delta\lambda$ | -    | 18       | -    | nm            |
| Angle of half intensity  | $I_F = 20\text{ mA}$ |             | $\varphi$       | -    | $\pm 60$ | -    | deg           |
| Forward voltage  | $I_F = 20\text{ mA}$ |             | $V_F$           | 1.8  | 2        | 2.6  | V             |
| Reverse current  | $V_R = 5\text{ V}$   |             | $I_R$           | -    | 0.01     | 10   | $\mu\text{A}$ |

| <b>OPTICAL AND ELECTRICAL CHARACTERISTICS</b> ( $T_{amb} = 25\text{ }^{\circ}\text{C}$ , unless otherwise specified) |                      |             |                 |      |          |      |               |
|--|----------------------|-------------|-----------------|------|----------|------|---------------|
| <b>VLMR333.., RED</b>  |                      |             |                 |      |          |      |               |
| PARAMETER  | TEST CONDITION       | PART        | SYMBOL          | MIN. | TYP.     | MAX. | UNIT          |
| Luminous intensity   | $I_F = 20\text{ mA}$ | VLMR333U1AA | $I_V$           | 450  | 750      | 1400 | mcd           |
| Luminous flux/luminous intensity   |                      |             | $\phi_V/I_V$    | -    | 3        | -    | mlm/mcd       |
| Dominant wavelength  | $I_F = 20\text{ mA}$ |             | $\lambda_d$     | 619  | 625      | 631  | nm            |
| Peak wavelength  | $I_F = 20\text{ mA}$ |             | $\lambda_p$     | -    | 632      | -    | nm            |
| Spectral bandwidth at 50 % $I_{rel\ max.}$   | $I_F = 20\text{ mA}$ |             | $\Delta\lambda$ | -    | 18       | -    | nm            |
| Angle of half intensity  | $I_F = 20\text{ mA}$ |             | $\varphi$       | -    | $\pm 60$ | -    | deg           |
| Forward voltage  | $I_F = 20\text{ mA}$ |             | $V_F$           | 1.8  | 2        | 2.6  | V             |
| Reverse current  | $V_R = 5\text{ V}$   |             | $I_R$           | -    | 0.01     | 10   | $\mu\text{A}$ |

| <b>OPTICAL AND ELECTRICAL CHARACTERISTICS</b> ( $T_{amb} = 25\text{ }^{\circ}\text{C}$ , unless otherwise specified) |                      |             |                 |      |          |      |               |
|--|----------------------|-------------|-----------------|------|----------|------|---------------|
| <b>VLMK333.., AMBER</b>  |                      |             |                 |      |          |      |               |
| PARAMETER  | TEST CONDITION       | PART        | SYMBOL          | MIN. | TYP.     | MAX. | UNIT          |
| Luminous intensity   | $I_F = 20\text{ mA}$ | VLMK333U2AB | $I_V$           | 560  | 850      | 1800 | mcd           |
| Luminous flux/luminous intensity   |                      |             | $\phi_V/I_V$    | -    | 3        | -    | mlm/mcd       |
| Dominant wavelength  | $I_F = 20\text{ mA}$ |             | $\lambda_d$     | 611  | 616      | 622  | nm            |
| Peak wavelength  | $I_F = 20\text{ mA}$ |             | $\lambda_p$     | -    | 622      | -    | nm            |
| Spectral bandwidth at 50 % $I_{rel\ max.}$   | $I_F = 20\text{ mA}$ |             | $\Delta\lambda$ | -    | 18       | -    | nm            |
| Angle of half intensity  | $I_F = 20\text{ mA}$ |             | $\varphi$       | -    | $\pm 60$ | -    | deg           |
| Forward voltage  | $I_F = 20\text{ mA}$ |             | $V_F$           | 1.8  | 2.1      | 2.6  | V             |
| Reverse current  | $V_R = 5\text{ V}$   |             | $I_R$           | -    | 0.01     | 10   | $\mu\text{A}$ |

| <b>OPTICAL AND ELECTRICAL CHARACTERISTICS</b> ( $T_{amb} = 25\text{ }^{\circ}\text{C}$ , unless otherwise specified) |                      |             |                 |      |          |      |               |
|--|----------------------|-------------|-----------------|------|----------|------|---------------|
| <b>VLMO333.., SOFT ORANGE</b>  |                      |             |                 |      |          |      |               |
| PARAMETER  | TEST CONDITION       | PART        | SYMBOL          | MIN. | TYP.     | MAX. | UNIT          |
| Luminous intensity   | $I_F = 20\text{ mA}$ | VLMO333U2AB | $I_V$           | 560  | 950      | 1800 | mcd           |
| Luminous flux/luminous intensity   |                      |             | $\phi_V/I_V$    | -    | 3        | -    | mlm/mcd       |
| Dominant wavelength  | $I_F = 20\text{ mA}$ |             | $\lambda_d$     | 600  | 605      | 611  | nm            |
| Peak wavelength  | $I_F = 20\text{ mA}$ |             | $\lambda_p$     | -    | 611      | -    | nm            |
| Spectral bandwidth at 50 % $I_{rel\ max.}$   | $I_F = 20\text{ mA}$ |             | $\Delta\lambda$ | -    | 17       | -    | nm            |
| Angle of half intensity  | $I_F = 20\text{ mA}$ |             | $\varphi$       | -    | $\pm 60$ | -    | deg           |
| Forward voltage  | $I_F = 20\text{ mA}$ |             | $V_F$           | 1.8  | 2.1      | 2.6  | V             |
| Reverse current  | $V_R = 5\text{ V}$   |             | $I_R$           | -    | 0.01     | 10   | $\mu\text{A}$ |



| <b>OPTICAL AND ELECTRICAL CHARACTERISTICS</b> ( $T_{amb} = 25\text{ }^{\circ}\text{C}$ , unless otherwise specified) |                      |             |                 |      |          |      |               |
|--|----------------------|-------------|-----------------|------|----------|------|---------------|
| <b>VLMY333.., YELLOW</b>   |                      |             |                 |      |          |      |               |
| PARAMETER  | TEST CONDITION       | PART        | SYMBOL          | MIN. | TYP.     | MAX. | UNIT          |
| Luminous intensity   | $I_F = 20\text{ mA}$ | VLMY333U1AA | $I_V$           | 450  | 750      | 1400 | mcd           |
| Luminous flux/luminous intensity   |                      |             | $\phi_V/I_V$    | -    | 3        | -    | mlm/mcd       |
| Dominant wavelength  | $I_F = 20\text{ mA}$ |             | $\lambda_d$     | 583  | 589      | 594  | nm            |
| Peak wavelength  | $I_F = 20\text{ mA}$ |             | $\lambda_p$     | -    | 591      | -    | nm            |
| Spectral bandwidth at 50 % $I_{rel\ max.}$   | $I_F = 20\text{ mA}$ |             | $\Delta\lambda$ | -    | 17       | -    | nm            |
| Angle of half intensity  | $I_F = 20\text{ mA}$ |             | $\varphi$       | -    | $\pm 60$ | -    | deg           |
| Forward voltage  | $I_F = 20\text{ mA}$ |             | $V_F$           | 1.8  | 2.15     | 2.6  | V             |
| Reverse current  | $V_R = 5\text{ V}$   |             | $I_R$           | -    | 0.01     | 10   | $\mu\text{A}$ |

| <b>COLOR CLASSIFICATION</b> |                      |      |             |      |        |      |
|-----------------------------|----------------------|------|-------------|------|--------|------|
| GROUP                       | DOM. WAVELENGTH (nm) |      |             |      |        |      |
|                             | AMBER                |      | SOFT ORANGE |      | YELLOW |      |
|                             | MIN.                 | MAX. | MIN.        | MAX. | MIN.   | MAX. |
| 1                           | 611                  | 618  |             |      |        |      |
| 2                           | 614                  | 622  | 600         | 603  | 583    | 586  |
| 3                           |                      |      | 602         | 605  | 585    | 588  |
| 4                           |                      |      | 604         | 607  | 587    | 590  |
| 5                           |                      |      | 606         | 609  | 589    | 592  |
| 6                           |                      |      | 608         | 611  | 591    | 594  |

**Note**

- Wavelengths are tested at a current pulse duration of 25 ms.

| <b>LUMINOUS INTENSITY CLASSIFICATION</b> |                       |          |             |
|--|-----------------------|----------|-------------|
| GROUP                                    | LIGHT INTENSITY (mcd) |          |             |
|  | STANDARD              | OPTIONAL | MIN. / MAX. |
| T  | 2                     |          | 355 / 450   |
| U  | 1                     |          | 450 / 560   |
|  | 2                     |          | 560 / 710   |
| V  | 1                     |          | 710 / 900   |
|  | 2                     |          | 900 / 1120  |
| A  | A                     |          | 1120 / 1400 |
|  | B                     |          | 1400 / 1800 |

| <b>CROSSING TABLE</b> |                   |
|-----------------------|-------------------|
| VISHAY                | OSRAM             |
| VLMS333T2V2           | LS T67F-T2V2-1-1  |
| VLMR333U1AA           | LR T67F-U1AA-1-1  |
| VLMK333U2AB           | LA T67F-U2AB-24-1 |
| VLMO333U2AB           | LO T67F-U2AB-24-1 |
| VLMY333U1AA           | LY T67F-U1AA-36-1 |

**Note**

- Luminous intensity is tested at a current pulse duration of 25 ms and an accuracy of  $\pm 11\%$ .  
The above type numbers represent the order groups which include only a few brightness groups. Only one group will be shipped on each reel (there will be no mixing of two groups on each reel).  
In order to ensure availability, single brightness groups will not be orderable.  
In a similar manner for colors where wavelength groups are measured and binned, single wavelength groups will be shipped on any one reel.  
In order to ensure availability, single wavelength groups will not be orderable.



TYPICAL CHARACTERISTICS (T<sub>amb</sub> = 25 °C, unless otherwise specified)

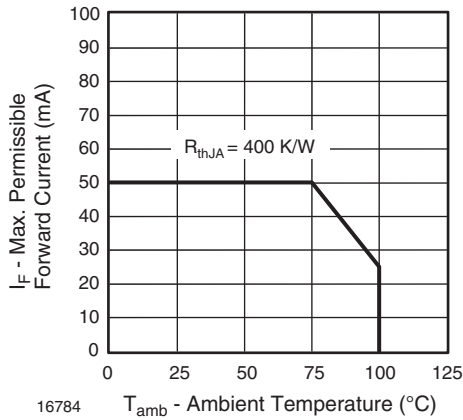


Fig. 1 - Maximum Permissible Forward Current vs. Ambient Temperature

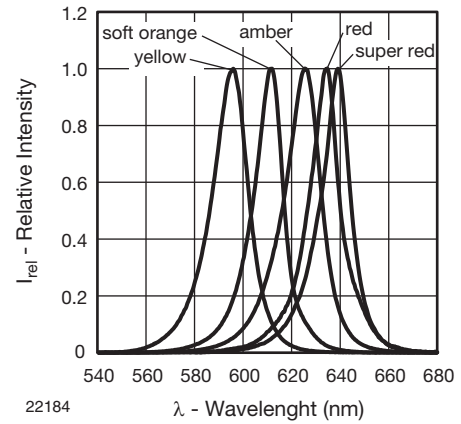


Fig. 4 - Relative Intensity vs. Wavelength

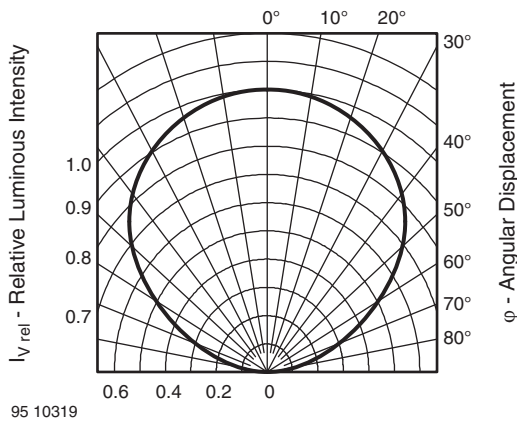


Fig. 2 - Relative Luminous Intensity vs. Angular Displacement

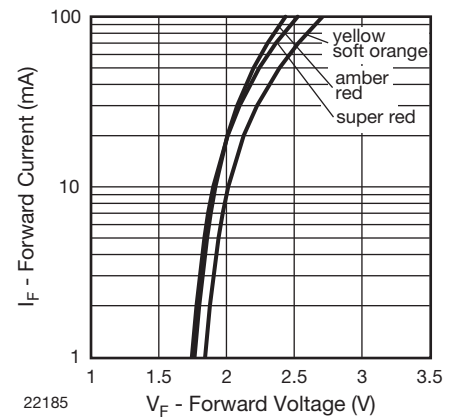


Fig. 5 - Forward Current vs. Forward Voltage

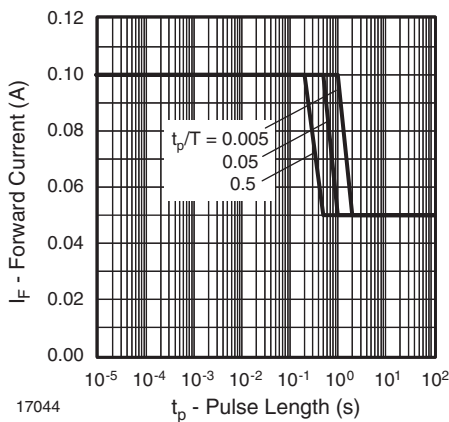


Fig. 3 - Forward Current vs. Pulse Length

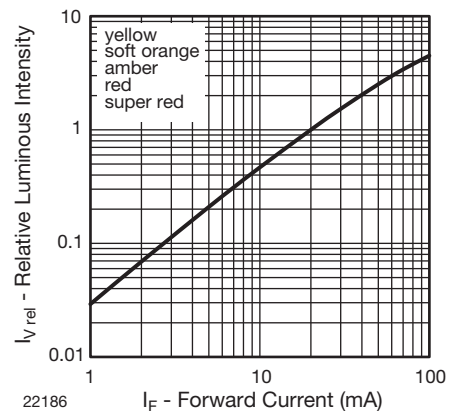


Fig. 6 - Relative Luminous Intensity vs. Forward Current

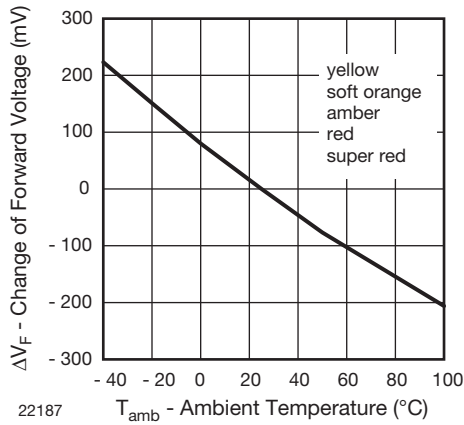


Fig. 7 - Change of Forward Voltage vs. Ambient Temperature

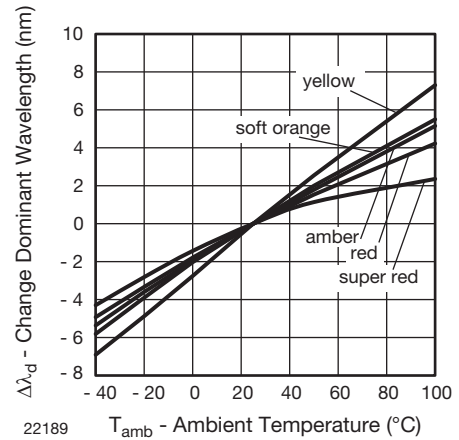


Fig. 9 - Change of Dominant Wavelength vs. Ambient Temperature

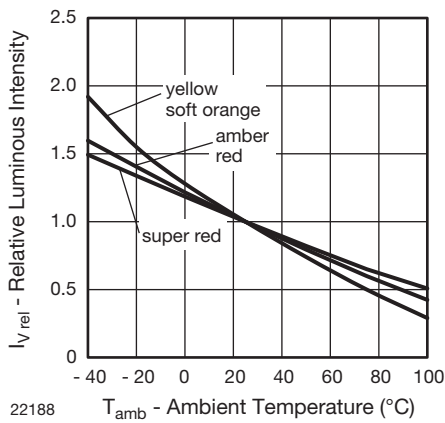
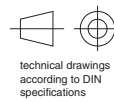
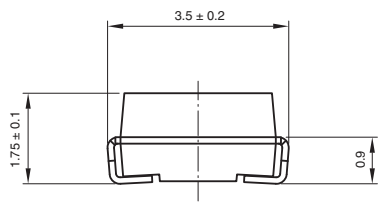
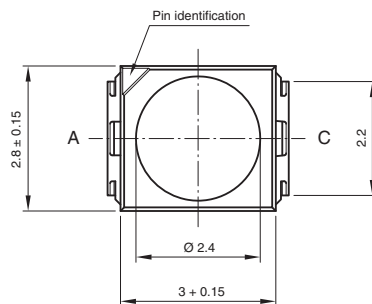


Fig. 8 - Relative Luminous Intensity vs. Ambient Temperature

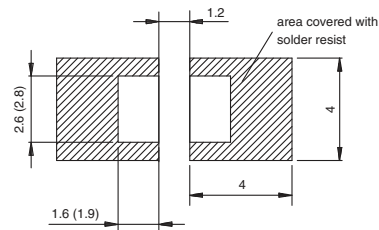
**PACKAGE DIMENSIONS** in millimeters



technical drawings according to DIN specifications



**Mounting Pad Layout**



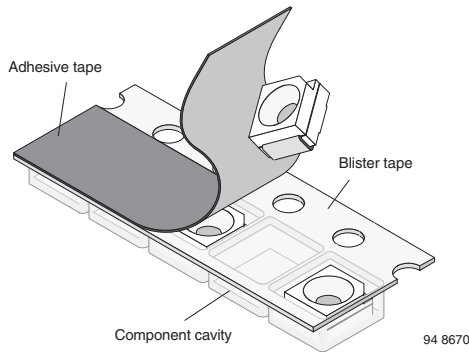
Drawing-No.: 6.541-5067.02-4  
Issue: 4; 19.07.10  
20767



METHOD OF TAPING/POLARITY AND TAPE AND REEL

SMD LED (VLMx333..-SERIES)

Vishay's LEDs in SMD packages are available in an antistatic 8 mm blister tape (in accordance with DIN IEC 40 (CO) 564) for automatic component insertion. The blister tape is a plastic strip with impressed component cavities, covered by a top tape.



REEL PACKAGE DIMENSION IN MILLIMETERS FOR SMD LEDs, TAPE OPTION GS18 (= 8000 PCS.) PREFERRED

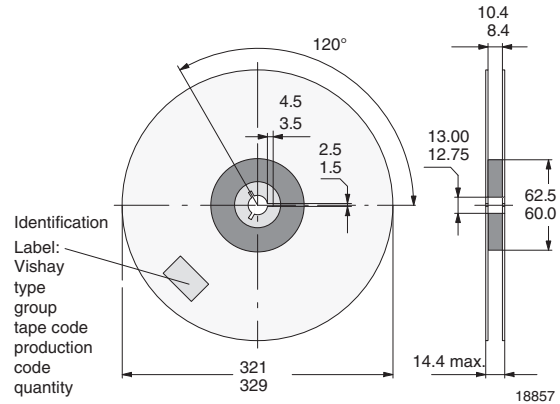


Fig. 12 - Reel Dimensions - GS18

TAPING OF VLMx333..

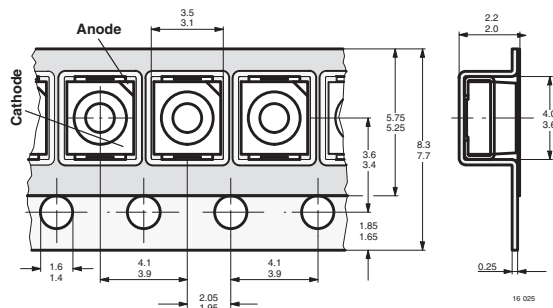


Fig. 10 - Tape Dimensions in mm for PLCC-2

SOLDERING PROFILE

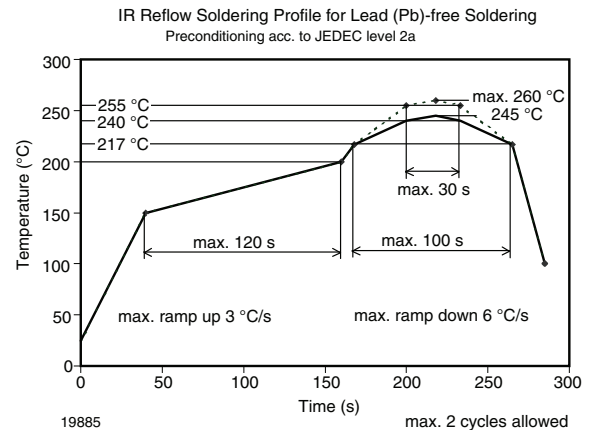


Fig. 13 - Vishay Lead (Pb)-free Reflow Soldering Profile (acc. to J-STD-020)

REEL PACKAGE DIMENSION IN MILLIMETERS FOR SMD LEDs, TAPE OPTION GS08 (= 1500 PCS.)

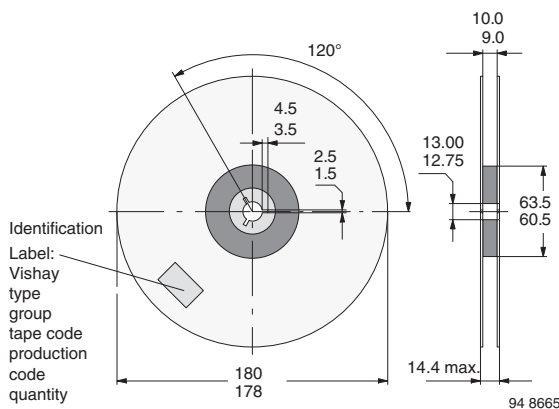


Fig. 11 - Reel Dimensions - GS08

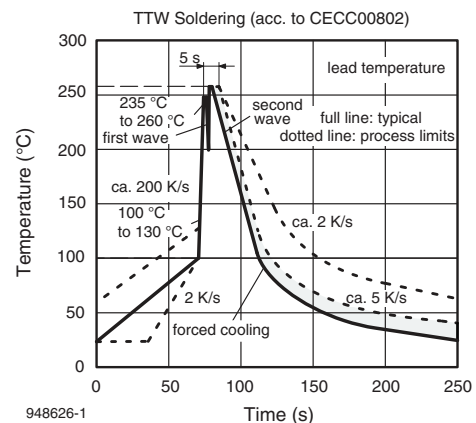
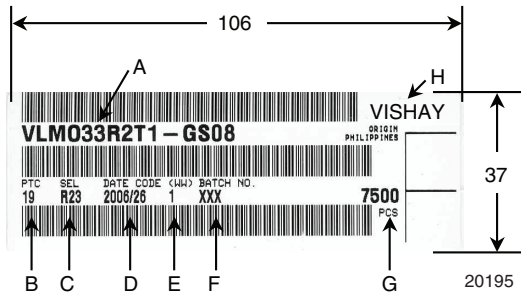


Fig. 14 - Double Wave Soldering of Opto Devices (all Packages)



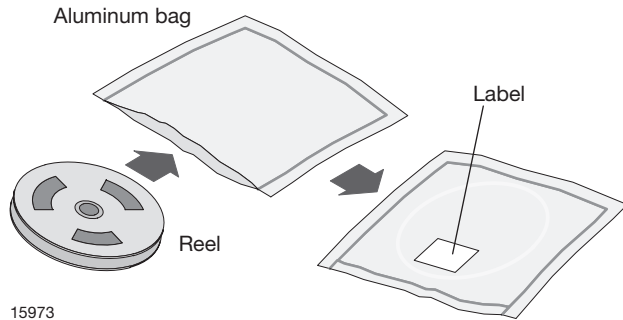
BAR CODE PRODUCT LABEL (example)



- A. Type of component
B. Manufacturing plant
C. SEL - selection code (bin)
D. Date code year/week
E. Day code (e.g. 1: Monday)
F. Batch no.
G. Total quantity
H. Company code

DRY PACKING

The reel is packed in an anti-humidity bag to protect the devices from absorbing moisture during transportation and storage.



FINAL PACKING

The sealed reel is packed into a cardboard box. A secondary cardboard box is used for shipping purposes.

RECOMMENDED METHOD OF STORAGE

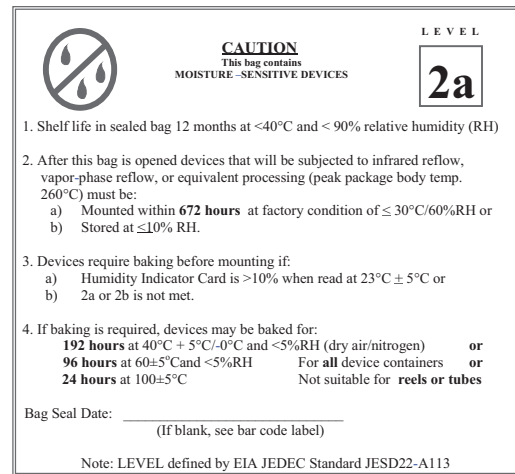
Dry box storage is recommended as soon as the aluminum bag has been opened to prevent moisture absorption. The following conditions should be observed, if dry boxes are not available:

- Storage temperature 10 °C to 30 °C
Storage humidity ≤ 60 % RH max.

After more than 672 h under these conditions moisture content will be too high for reflow soldering.

In case of moisture absorption, the devices will recover to the former condition by drying under the following condition:
192 h at 40 °C + 5 °C/- 0 °C and < 5 % RH (dry air/nitrogen) or
96 h at 60 °C + 5 °C and < 5 % RH for all device containers or
24 h at 100 °C + 5 °C not suitable for reel or tubes.

An EIA JEDEC standard JESD22-A112 level 2a label is included on all dry bags.



Example of JESD22-A112 level 2a label

ESD PRECAUTION

Proper storage and handling procedures should be followed to prevent ESD damage to the devices especially when they are removed from the antistatic shielding bag. Electro-static sensitive devices warning labels are on the packaging.

VISHAY SEMICONDUCTORS STANDARD BAR CODE LABEL

The Vishay Semiconductors standard bar code labels are printed at final packing areas. The labels are on each packing unit and contain Vishay Semiconductors specific data.





## Disclaimer

ALL PRODUCT, PRODUCT SPECIFICATIONS AND DATA ARE SUBJECT TO CHANGE WITHOUT NOTICE TO IMPROVE RELIABILITY, FUNCTION OR DESIGN OR OTHERWISE.

Vishay Intertechnology, Inc., its affiliates, agents, and employees, and all persons acting on its or their behalf (collectively, "Vishay"), disclaim any and all liability for any errors, inaccuracies or incompleteness contained in any datasheet or in any other disclosure relating to any product.

Vishay makes no warranty, representation or guarantee regarding the suitability of the products for any particular purpose or the continuing production of any product. To the maximum extent permitted by applicable law, Vishay disclaims (i) any and all liability arising out of the application or use of any product, (ii) any and all liability, including without limitation special, consequential or incidental damages, and (iii) any and all implied warranties, including warranties of fitness for particular purpose, non-infringement and merchantability.

Statements regarding the suitability of products for certain types of applications are based on Vishay's knowledge of typical requirements that are often placed on Vishay products in generic applications. Such statements are not binding statements about the suitability of products for a particular application. It is the customer's responsibility to validate that a particular product with the properties described in the product specification is suitable for use in a particular application. Parameters provided in datasheets and/or specifications may vary in different applications and performance may vary over time. All operating parameters, including typical parameters, must be validated for each customer application by the customer's technical experts. Product specifications do not expand or otherwise modify Vishay's terms and conditions of purchase, including but not limited to the warranty expressed therein.

Except as expressly indicated in writing, Vishay products are not designed for use in medical, life-saving, or life-sustaining applications or for any other application in which the failure of the Vishay product could result in personal injury or death. Customers using or selling Vishay products not expressly indicated for use in such applications do so at their own risk. Please contact authorized Vishay personnel to obtain written terms and conditions regarding products designed for such applications.

No license, express or implied, by estoppel or otherwise, to any intellectual property rights is granted by this document or by any conduct of Vishay. Product names and markings noted herein may be trademarks of their respective owners.

## Material Category Policy

**Vishay Intertechnology, Inc. hereby certifies that all its products that are identified as RoHS-Compliant fulfill the definitions and restrictions defined under Directive 2011/65/EU of The European Parliament and of the Council of June 8, 2011 on the restriction of the use of certain hazardous substances in electrical and electronic equipment (EEE) - recast, unless otherwise specified as non-compliant.**

**Please note that some Vishay documentation may still make reference to RoHS Directive 2002/95/EC. We confirm that all the products identified as being compliant to Directive 2002/95/EC conform to Directive 2011/65/EU.**

**Vishay Intertechnology, Inc. hereby certifies that all its products that are identified as Halogen-Free follow Halogen-Free requirements as per JEDEC JS709A standards. Please note that some Vishay documentation may still make reference to the IEC 61249-2-21 definition. We confirm that all the products identified as being compliant to IEC 61249-2-21 conform to JEDEC JS709A standards.**



Компания «Океан Электроники» предлагает заключение долгосрочных отношений при поставках импортных электронных компонентов на взаимовыгодных условиях!

Наши преимущества:

- Поставка оригинальных импортных электронных компонентов напрямую с производств Америки, Европы и Азии, а так же с крупнейших складов мира;
- Широкая линейка поставок активных и пассивных импортных электронных компонентов (более 30 млн. наименований);
- Поставка сложных, дефицитных, либо снятых с производства позиций;
- Оперативные сроки поставки под заказ (от 5 рабочих дней);
- Экспресс доставка в любую точку России;
- Помощь Конструкторского Отдела и консультации квалифицированных инженеров;
- Техническая поддержка проекта, помощь в подборе аналогов, поставка прототипов;
- Поставка электронных компонентов под контролем ВП;
- Система менеджмента качества сертифицирована по Международному стандарту ISO 9001;
- При необходимости вся продукция военного и аэрокосмического назначения проходит испытания и сертификацию в лаборатории (по согласованию с заказчиком);
- Поставка специализированных компонентов военного и аэрокосмического уровня качества (Xilinx, Altera, Analog Devices, Intersil, Interpoint, Microsemi, Actel, Aeroflex, Peregrine, VPT, Syfer, Eurofarad, Texas Instruments, MS Kennedy, Miteq, Cobham, E2V, MA-COM, Hittite, Mini-Circuits, General Dynamics и др.);

Компания «Океан Электроники» является официальным дистрибьютором и эксклюзивным представителем в России одного из крупнейших производителей разъемов военного и аэрокосмического назначения «JONHON», а так же официальным дистрибьютором и эксклюзивным представителем в России производителя высокотехнологичных и надежных решений для передачи СВЧ сигналов «FORSTAR».



## JONHON

«JONHON» (основан в 1970 г.)

Разъемы специального, военного и аэрокосмического назначения:

(Применяются в военной, авиационной, аэрокосмической, морской, железнодорожной, горно- и нефтедобывающей отраслях промышленности)

«FORSTAR» (основан в 1998 г.)

ВЧ соединители, коаксиальные кабели, кабельные сборки и микроволновые компоненты:

(Применяются в телекоммуникациях гражданского и специального назначения, в средствах связи, РЛС, а так же военной, авиационной и аэрокосмической отраслях промышленности).



Телефон: 8 (812) 309-75-97 (многоканальный)

Факс: 8 (812) 320-03-32

Электронная почта: [ocean@oceanchips.ru](mailto:ocean@oceanchips.ru)

Web: <http://oceanchips.ru/>

Адрес: 198099, г. Санкт-Петербург, ул. Калинина, д. 2, корп. 4, лит. А