

ELECTRICAL:

EMI SHIELDING : SHIELDED FOR THE RANGE 55dB UP TO 100MHZ

INSULATION RESISTANCE : >500MΩ PER ANSI-EIA-364-D METHOD 21

MAX. CURRENT RATING : SEE INSULATOR DRAWING

CONNECTOR TESTING VOLTAGE : SEE INSULATOR DRAWING

CONNECTOR WORKING VOLTAGE : SEE INSULATOR DRAWING

ENVIRONMENTAL:

ENDURANCE: 1000 CYCLES AS PER MIL-STD 1344A, METHOD 2016.1

SHOCK: 50 g , DURATION 6 ms; AS PER MIL-STD 1344A, METHOD 2004.1

VIBRATIONS: 10 TO 2000Hz g = 15g, AS PER MIL-STD 1344A, METHOD 2005.1

PROTECTION INDEX: IP 67 AS PER CEI 529

ROHS COMPLIANT

SALT MIST : 48Hr PER SAE AS 1344 METHOD 1001.1 CEI 529

OPERATING TEMPERATURE: -40°C TO +80°C (-40°F TO +176°F)

| MASS (g) | VOLUME (mm ³) |
|----------|---------------------------|
| 16.8 | 3181 |

NOTES:

MATERIAL:

OUTER SHELL & PANEL NUT : } BRASS

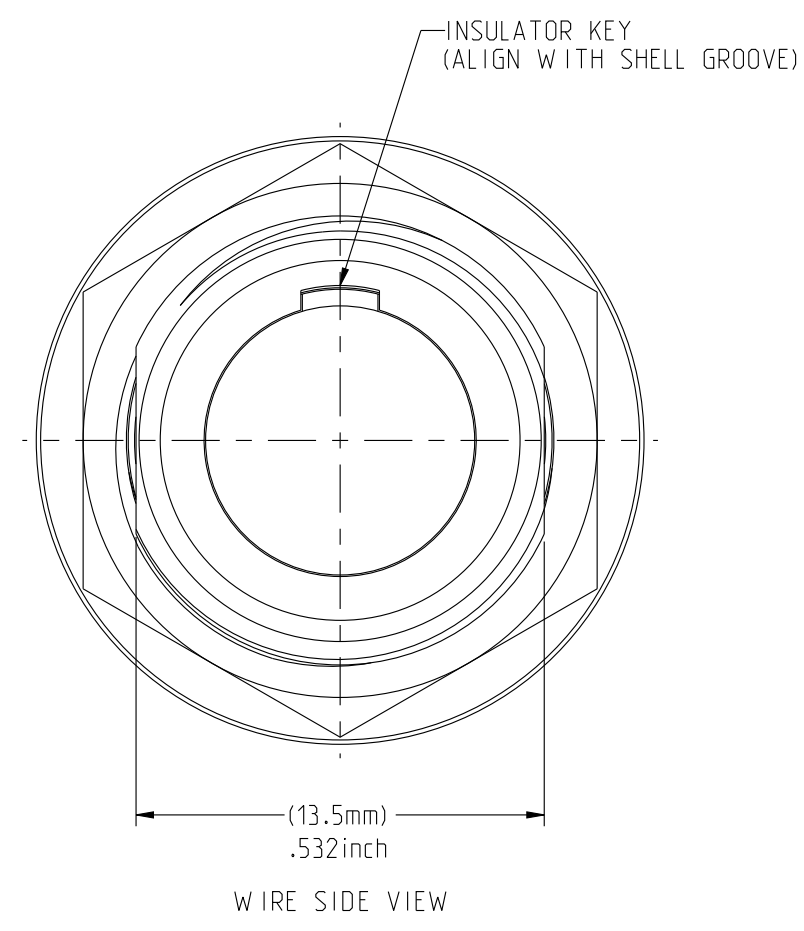
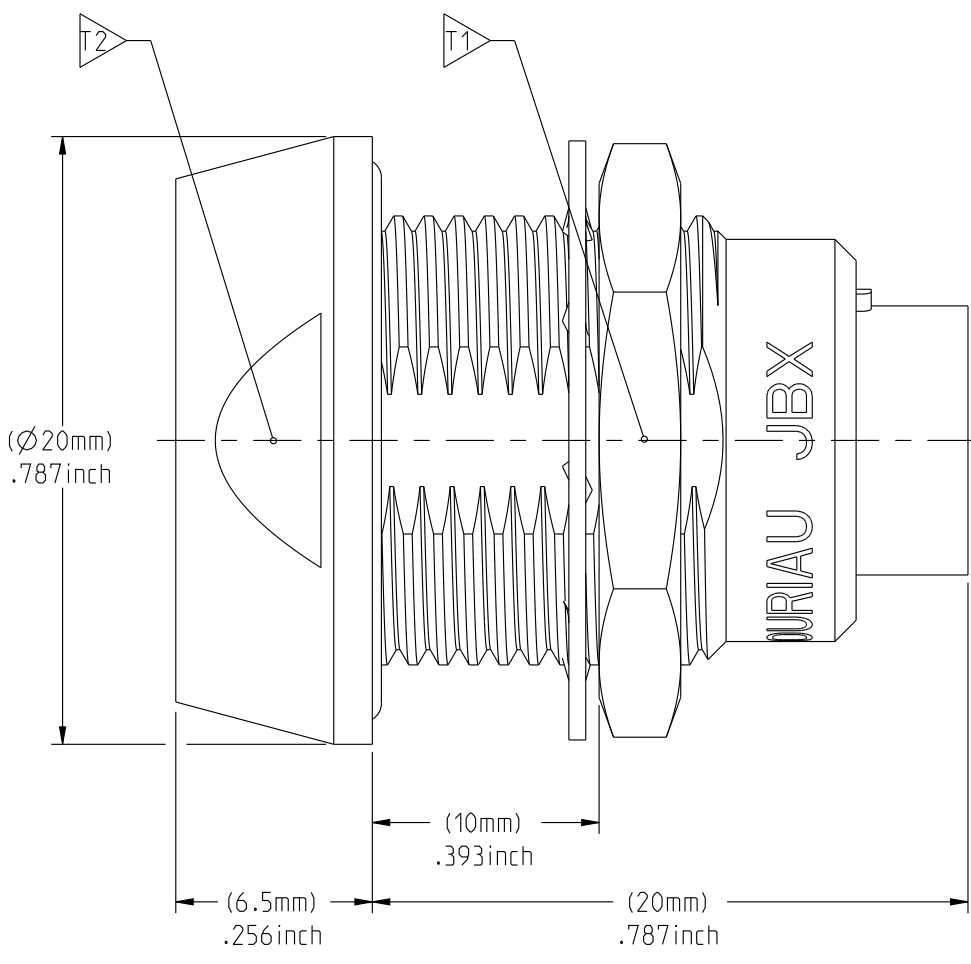
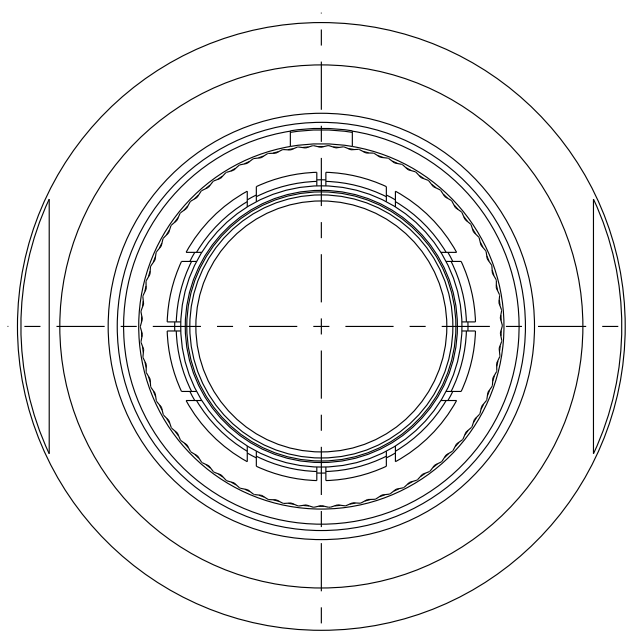
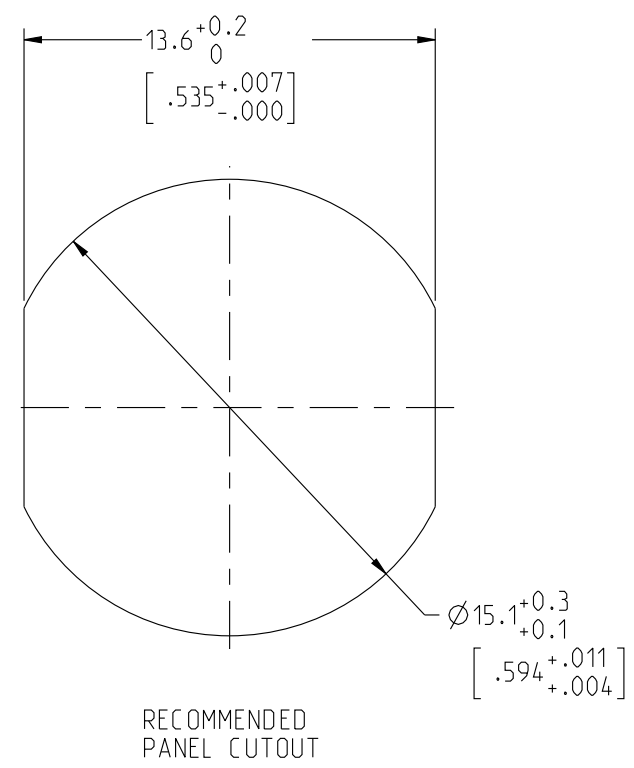
SHIELD RING & NUT: }

FINISH:

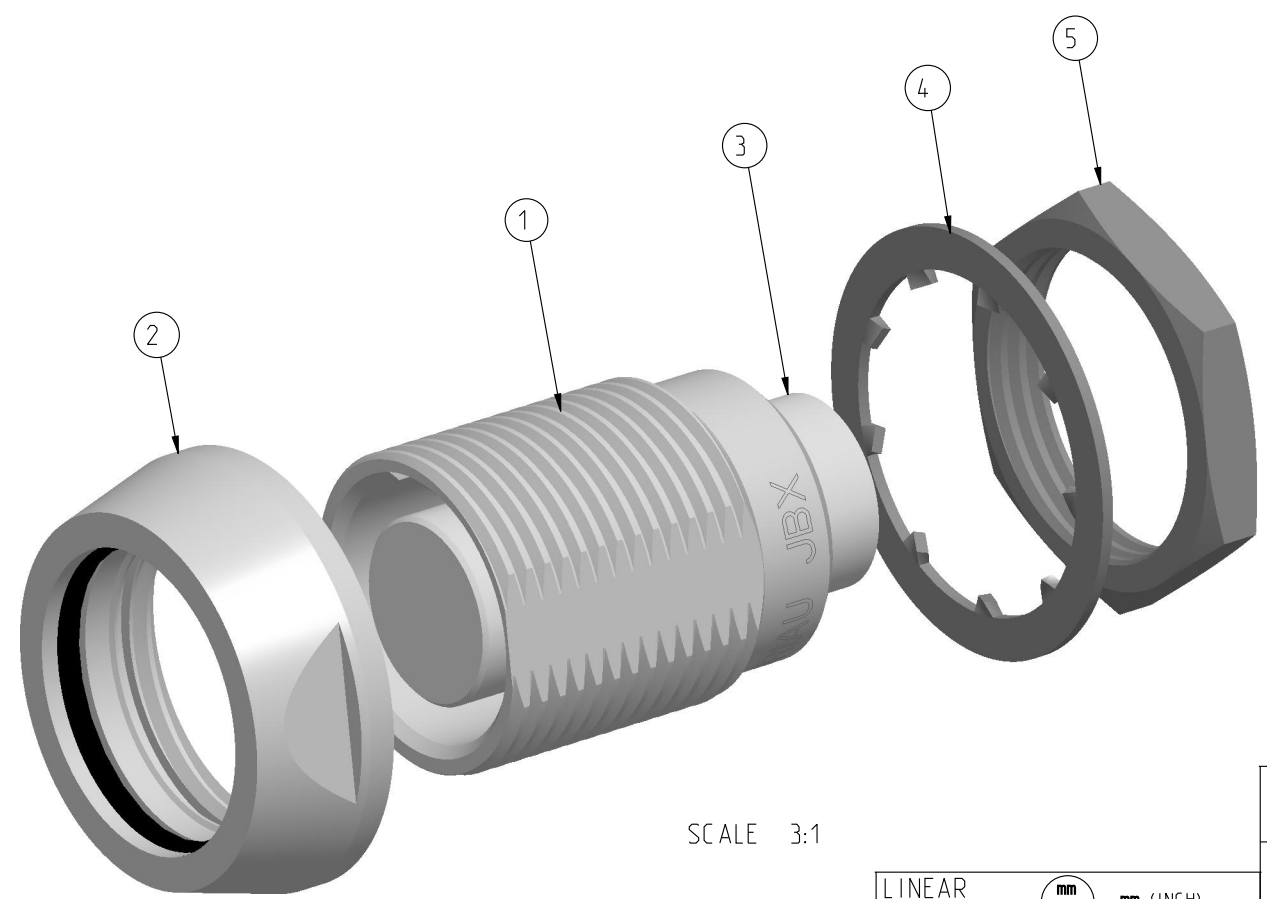
OUTER SHELL: CHROME

OTHER BRASS PARTS : NICKEL

TOOLS



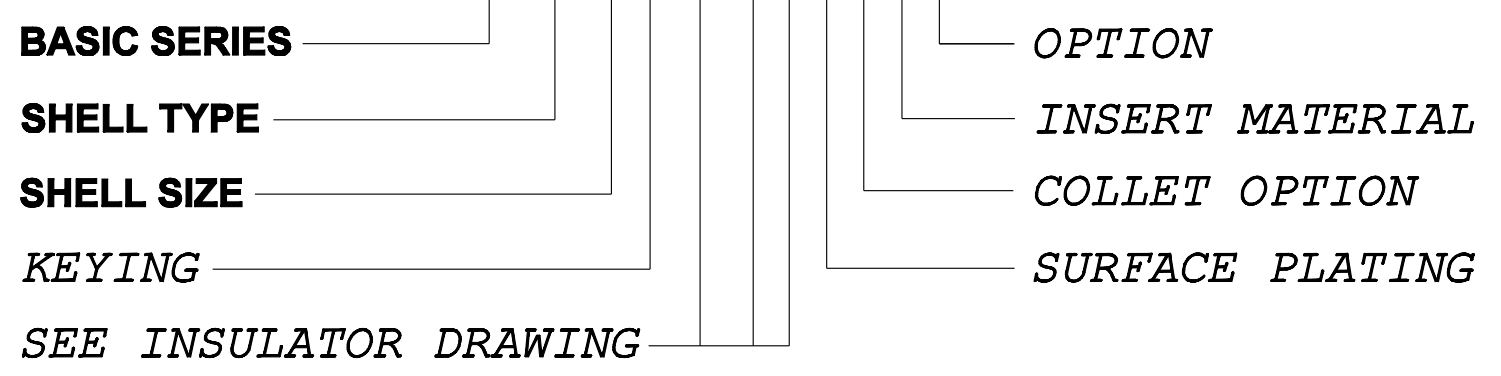
| PART LIST | |
|-----------|-------------|
| ITEM NO. | DESCRIPTION |
| 1 | SHELL |
| 2 | PANEL NUT |
| 3 | INSULATOR |
| 4 | LOCK WASHER |
| 5 | HEX NUT |



| | TOOLS (JAW DIMENSION) | ADVISED TORQUE IN Nm |
|----|-----------------------|----------------------|
| T1 | 17 | 1.7 |
| T2 | 18 | 1.7 |

CATALOG NUMBER DESCRIPTION

JBX EC 2 XXXXXDX -



SCALE 3:1

| ORIGIN | COUNTRY | JURISDICTION | CLASSIFICATION |
|--------|---------|--------------|----------------|
| X | FR | Not listed | N/A |
| | US | EAR | ECCN =EAR99 |

These commodities, technology or software are exported from the United States in accordance with the Export Administration Regulations. Diversion contrary to U.S. law is prohibited.

| | |
|---------------------------------------|--------------|
| LINEAR MEASURE: | mm (INCH) |
| THIRD ANGLE PROJECTION | |
| TOLERANCES UNLESS OTHERWISE SPECIFIED | |
| No. OF PLACES | mm [INCH] |
| WHOLE No. | ±0.5 [±.02] |
| ONE PLACE | ±0.2 [±.008] |
| TWO PLACES | ±0.1 [±.004] |
| ANGLES ±1° | |

DRAWING TITLE
JBX, SIZE 2, SEALED DOUBLE NUT PANEL RECEPTACLE

CAT NO. **JBXEC2**

CAGE NO: 09922 SIZE: C

CUSTOMER

INTERPRET THIS DRAWING IN ACCORDANCE WITH ASME Y14.5M - 1994.

SOURIAU
www.souriau.com

| | | |
|----------|--------------------|----------|
| APPROVAL | DRAWN: SKV | 01-27-15 |
| | CHKD : EV | 01-27-15 |
| | DSGN : EV | 01-27-15 |
| | MFG : DH | 01-27-15 |
| | QC : BB | 01-27-15 |
| | DRAWING SCALE: 4:1 | |
| | DRAWING NO. | REV |
| | JBXEC2C | A |

1 OF 1

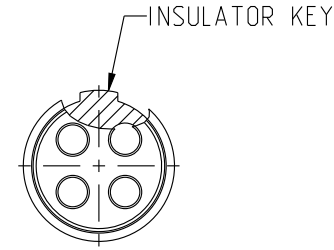
THIS DRAWING IS A CONTROLLED DOCUMENT FOR SOURIAU USA, INC. IT IS SUBJECT TO CHANGE WITHOUT NOTIFICATION. CONTACT THE DOCUMENT CONTROL CENTER FOR THE LATEST REVISION.

THE INFORMATION CONTAINED IN THIS DRAWING IS CONFIDENTIAL AND MAY NOT BE DISCLOSED WITHOUT WRITTEN CONSENT FROM SOURIAU USA, INC.

DWG. NO.
JBX2INSFPC

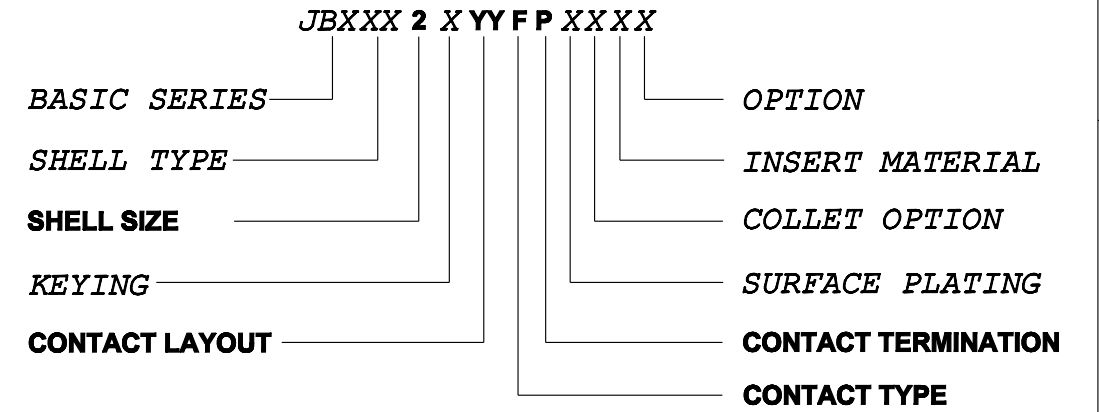
FEMALE INSULATOR, PCB CONTACT

| CONTACT LAYOUT | 04 | 05 | |
|-----------------|----------------------------|----------|---------|
| FRONT SIDE VIEW | | | |
| REAR SIDE VIEW | | | |
| CONTACT | | | |
| ISO VIEW | | | |
| CONTACT | ØC | 1.3 | 1.3 |
| | ØF | 0.7 | 0.7 |
| | MAX. AWG | - | - |
| | MAX. CURRENT RATING (A) | 15 | 15 |
| | CONTACT RESISTANCE (mΩ) | 3 | 3 |
| INSULATOR | NUMBER OF CAVITY | 4 | 5 |
| | MAX. CURRENT RATING | 15 | 14 |
| | TEST VOLTAGE (Vrms) | 2400 | 1900 |
| | WORKING VOLTAGE (Vdc/Vrms) | 1000/700 | 900/630 |



CONTACT TYPE : F (FEMALE)
CONTACT TERMINATION : P (PCB)
MATERIAL :
 CONTACT: CUPRO-NICKEL
 INSULATOR: PEEK
FINISH :
 CONTACTS : GOLD

CATALOG NUMBER DESCRIPTION



THIS DRAWING IS A CONTROLLED DOCUMENT FOR SOURIAU USA, INC. IT IS SUBJECT TO CHANGE WITHOUT NOTIFICATION. CONTACT THE DOCUMENT CONTROL CENTER FOR THE LATEST REVISION.

THE INFORMATION CONTAINED IN THIS DRAWING IS CONFIDENTIAL AND MAY NOT BE DISCLOSED WITHOUT WRITTEN CONSENT FROM SOURIAU USA, INC.

| | | | |
|-----|------------------------|-----------------|----------------|
| B | REVISED PER ECN 12286 | RSK 06-10-15 | EV 06-10-15 |
| A | RELEASED PER ECN 12264 | TJS 03-10-15 | EV 03-10-15 |
| REV | DESCRIPTION | BY DATE | CHKD DATE |

DRAWING TITLE
JBX, SIZE 2, FEMALE INSULATOR, PCB CONTACT

CAT NO. **JBX2INSFP**

CAGE NO: 09922 SIZE: B

CUSTOMER

SOURIAU

WWW.SOURIAU.COM

INTERPRET THIS DRAWING IN ACCORDANCE WITH ASME Y14.5M - 1994.

APPROVAL

| | | |
|----------------|-----|----------|
| DRAWN: | TJS | 02-04-15 |
| CHKD : | EV | 02-04-15 |
| DSGN : | EV | 02-04-15 |
| MFG : | DH | 02-04-15 |
| QC : | BB | 02-04-15 |
| DRAWING SCALE: | | NA |
| DRAWING NO. | | REV |
| JBX2INSFPC | | B |
| 1 OF 4 | | |

LINEAR MEASURE: $\frac{mm}{INCH}$ mm (INCH)

THIRD ANGLE PROJECTION

TOLERANCES UNLESS OTHERWISE SPECIFIED

| No. OF PLACES | mm [INCH] |
|---------------|---------------|
| ONE PLACE | ±3 [±.1] |
| TWO PLACES | ±0.5 [±.02] |
| THREE PLACES | ±0.25 [±.010] |

ANGLES ±1°

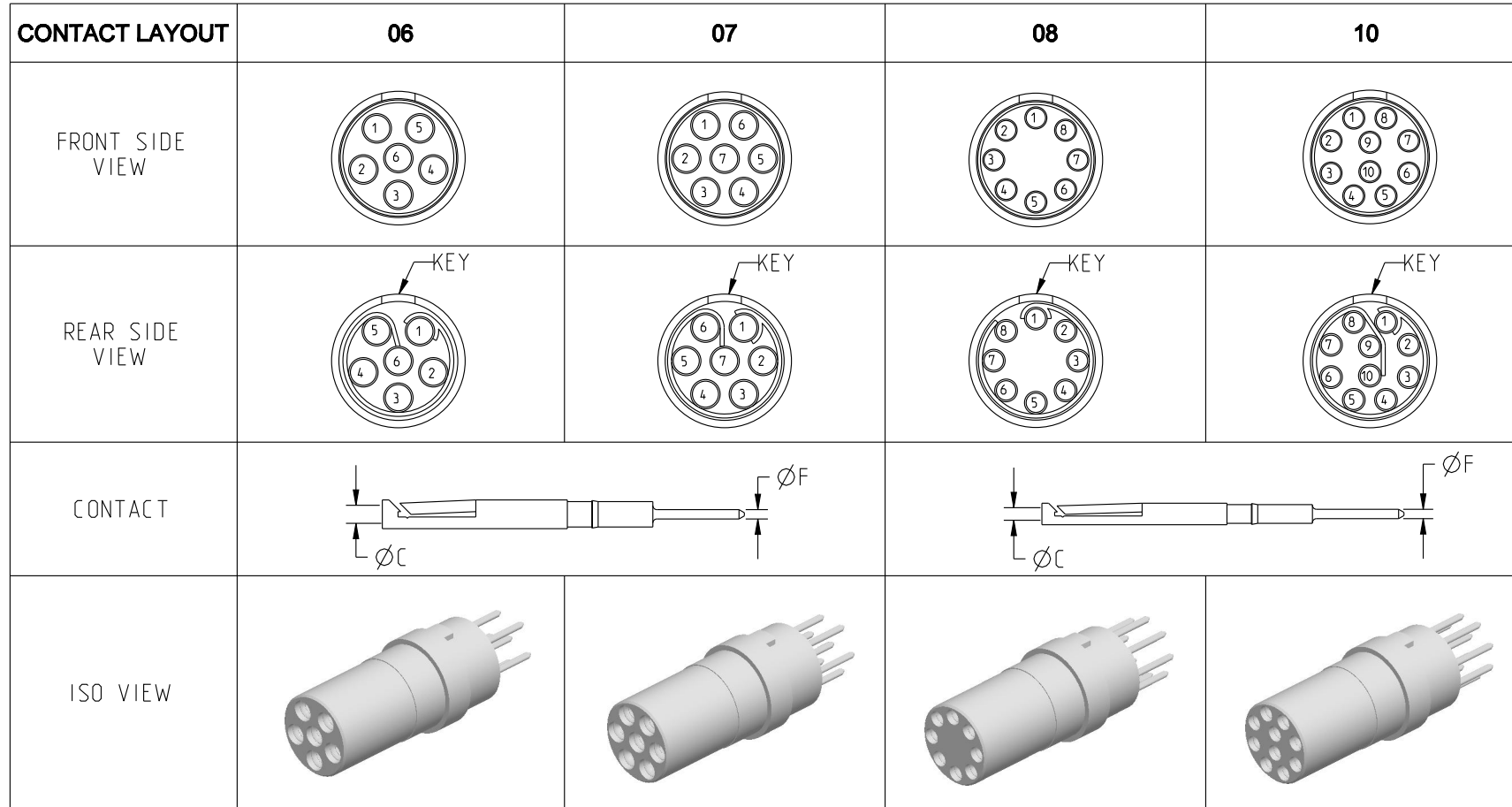
| ORIGIN | COUNTRY | JURISDICTION | CLASSIFICATION |
|--------|---------|--------------|----------------|
| X | FR | Not listed | N/A |
| | US | EAR | ECCN =EAR99 |

These commodities, technology or software are exported from the United States in accordance with the Export Administration Regulations. Diversion contrary to U.S. law is prohibited

B

A

DWG. NO.
JBX2INSFPC



| CONTACT | ØC | 1.3 | 1.3 | 0.9 | 0.9 |
|----------------------------|-------------------------|---------|---------|---------|-----|
| | ØF | 0.7 | 0.7 | 0.7 | 0.7 |
| | MAX. AWG | - | - | - | - |
| INSULATOR | MAX. CURRENT RATING (A) | 15 | 15 | 10 | 10 |
| | CONTACT RESISTANCE (mΩ) | 3 | 3 | 3.5 | 3.5 |
| | NUMBER OF CAVITY | 6 | 7 | 8 | 10 |
| | MAX. CURRENT RATING | 12 | 11 | 10 | 8 |
| TEST VOLTAGE (Vrms) | 1900 | 1500 | 1700 | 1700 | |
| WORKING VOLTAGE (Vdc/Vrms) | 900/630 | 730/500 | 830/560 | 830/560 | |

THIS DRAWING IS A CONTROLLED DOCUMENT FOR SOURIAU USA, INC. IT IS SUBJECT TO CHANGE WITHOUT NOTIFICATION. CONTACT THE DOCUMENT CONTROL CENTER FOR THE LATEST REVISION.

THE INFORMATION CONTAINED IN THIS DRAWING IS CONFIDENTIAL AND MAY NOT BE DISCLOSED WITHOUT WRITTEN CONSENT FROM SOURIAU USA, INC.

B

A

DRAWING TITLE
JBX, SIZE 2, FEMALE INSULATOR, PCB CONTACT

CAT NO. **JBX2INSFP**

CAGE NO: 09922 SIZE: B

| | | | | |
|-----------------|----------------|----------------------|------------|----------|
| CUSTOMER | SOURIAU | APPROVAL | DRAWN: TJS | 02-04-15 |
| | | | CHKD : EV | 02-04-15 |
| | | | DSGN : EV | 02-04-15 |
| | | | MFG : DH | 02-04-15 |
| | | | QC : BB | 02-04-15 |
| | | DRAWING SCALE: NA | | |
| | | DRAWING NO. REV | | |
| | | JBX2INSFPC B | | |
| | | 2 OF 4 | | |

LINEAR MEASURE: $\frac{mm}{INCH}$ mm (INCH)
THIRD ANGLE PROJECTION

TOLERANCES UNLESS OTHERWISE SPECIFIED
No. OF PLACES mm [INCH]
ONE PLACE ±3 [±.1]
TWO PLACES ±0.5 [±.02]
THREE PLACES ±0.25 [±.010]
ANGLES ±1°

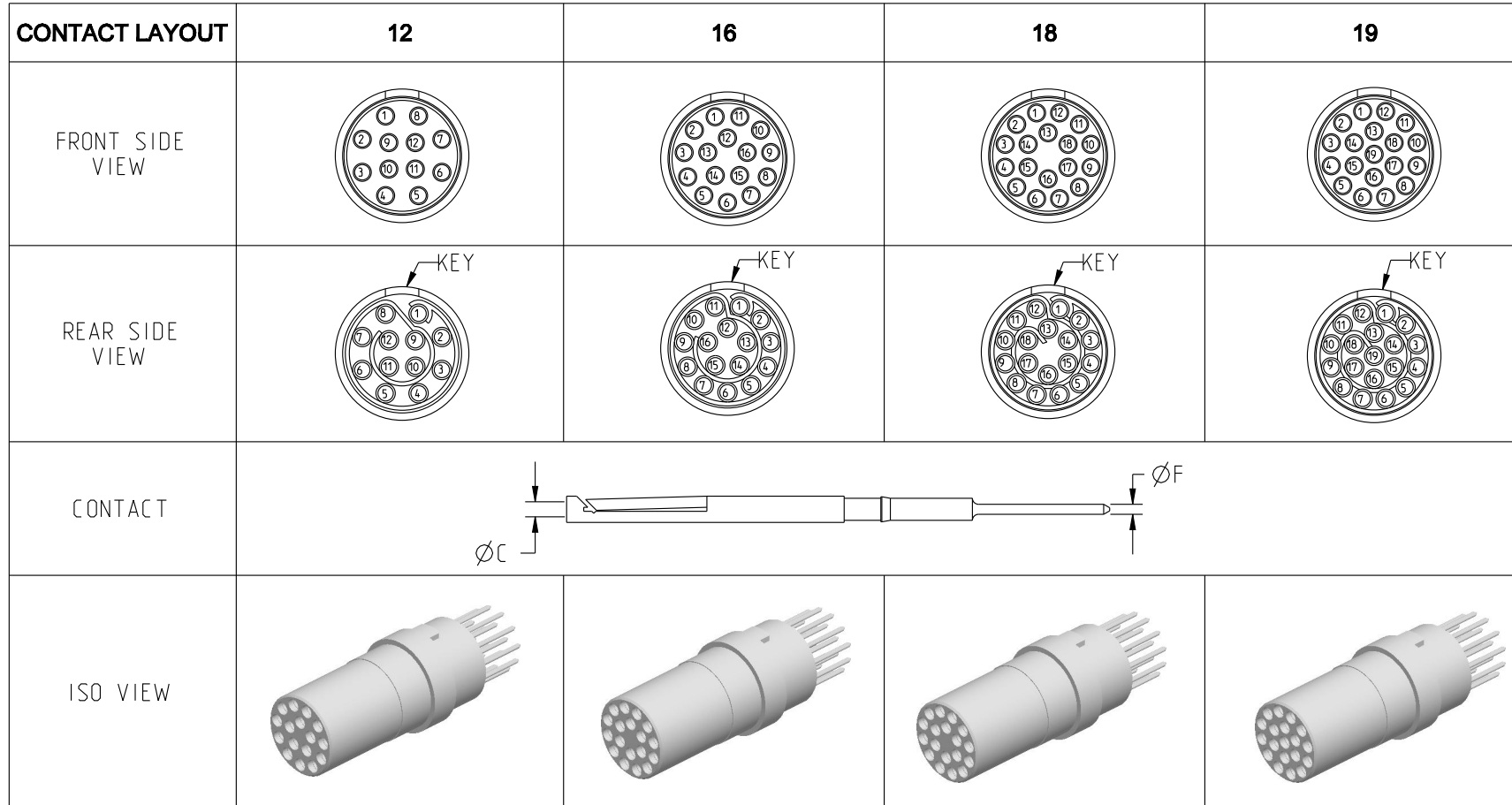
| ORIGIN | COUNTRY | JURISDICTION | CLASSIFICATION |
|--------|---------|--------------|----------------|
| X | FR | Not listed | N/A |
| | US | EAR | ECCN =EAR99 |

These commodities, technology or software are exported from the United States in accordance with the Export Administration Regulations. Diversion contrary to U.S. law is prohibited

INTERPRET THIS DRAWING IN ACCORDANCE WITH ASME Y14.5M - 1994.

WWW.SOURIAU.COM

DWG. NO.
JBX2INSFPC



| CONTACT | ØC | 0.7 | 0.7 | 0.7 | 0.7 |
|-------------------------|----------------------------|---------|---------|---------|---------|
| | ØF | 0.5 | 0.5 | 0.5 | 0.5 |
| MAX. AWG | - | - | - | - | |
| MAX. CURRENT RATING (A) | 7 | 7 | 7 | 7 | |
| CONTACT RESISTANCE (mΩ) | 5 | 5 | 5 | 5 | |
| INSULATOR | NUMBER OF CAVITY | 12 | 16 | 18 | 19 |
| | MAX. CURRENT RATING | 7 | 6 | 5.5 | 5 |
| | TEST VOLTAGE (Vrms) | 1700 | 1500 | 1400 | 1400 |
| | WORKING VOLTAGE (Vdc/Vrms) | 830/560 | 730/500 | 660/460 | 660/460 |

THIS DRAWING IS A CONTROLLED DOCUMENT FOR SOURIAU USA, INC. IT IS SUBJECT TO CHANGE WITHOUT NOTIFICATION. CONTACT THE DOCUMENT CONTROL CENTER FOR THE LATEST REVISION.

THE INFORMATION CONTAINED IN THIS DRAWING IS CONFIDENTIAL AND MAY NOT BE DISCLOSED WITHOUT WRITTEN CONSENT FROM SOURIAU USA, INC.

B

A

DRAWING TITLE
JBX, SIZE 2, FEMALE INSULATOR, PCB CONTACT

CAT NO. **JBX2INSFP**

CAGE NO: 09922 SIZE: B

| | | | | |
|---|----------------|-------------------|------------|----------|
| CUSTOMER | SOURIAU | APPROVAL | DRAWN: TJS | 02-04-15 |
| | | | CHKD : EV | 02-04-15 |
| | | | DSGN : EV | 02-04-15 |
| | | | MFG : DH | 02-04-15 |
| | | | QC : BB | 02-04-15 |
| INTERPRET THIS DRAWING IN ACCORDANCE WITH ASME Y14.5M - 1994. | | DRAWING SCALE: NA | | |
| | | DRAWING NO. | REV | |
| | | JBX2INSFPC | B | |
| | | WWW.SOURIAU.COM | | 3 OF 4 |

| ORIGIN | COUNTRY | JURISDICTION | CLASSIFICATION |
|--------|---------|--------------|----------------|
| X | FR | Not listed | N/A |
| | US | EAR | ECCN =EAR99 |

These commodities, technology or software are exported from the United States in accordance with the Export Administration Regulations. Diversion contrary to U.S. law is prohibited

LINEAR MEASURE: $\frac{mm}{INCH}$ mm (INCH)

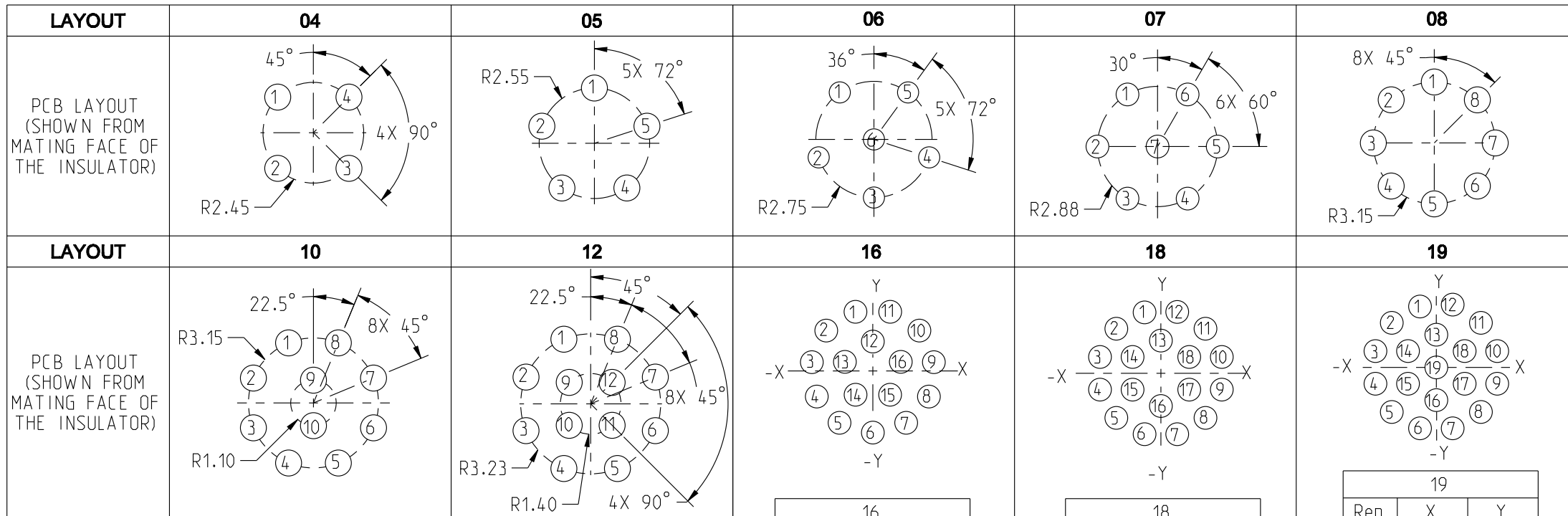
THIRD ANGLE PROJECTION

TOLERANCES UNLESS OTHERWISE SPECIFIED

| No. OF PLACES | mm [INCH] |
|---------------|---------------|
| ONE PLACE | ±3 [±.1] |
| TWO PLACES | ±0.5 [±.02] |
| THREE PLACES | ±0.25 [±.010] |

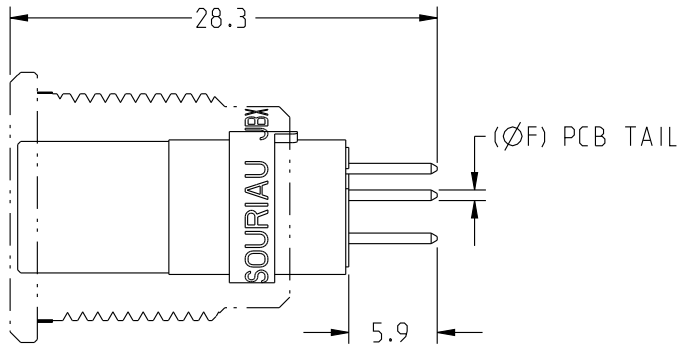
ANGLES ±1°

DWG. NO.
JBX2INSFPC



1. ALL DIMENSIONS ARE ± 0.05
2. SEE TABLE 1 FOR RECOMMENDED FINISHED PCB HOLE SIZE.

| CONTACT PCB TAIL SIZE DIA | FINISHED PCB HOLE SIZE DIA |
|---------------------------|----------------------------|
| 0.5 | 0.75 |
| 0.7 | 0.95 |



SAMPLE ASSEMBLY FOR INFORMATION

| Rep | X | Y |
|-----|-------|-------|
| 1 | -0.92 | 3.14 |
| 2 | -2.48 | 2.15 |
| 3 | -3.24 | 0.48 |
| 4 | -2.98 | -1.36 |
| 5 | -1.77 | -2.76 |
| 6 | 0 | -3.28 |
| 7 | 1.77 | -2.76 |
| 8 | 2.98 | -1.36 |
| 9 | 3.24 | 0.47 |
| 10 | 2.48 | 2.15 |
| 11 | 0.92 | 3.14 |
| 12 | 0 | 1.55 |
| 13 | -1.47 | 0.48 |
| 14 | -0.91 | -1.25 |
| 15 | 0.91 | -1.25 |
| 16 | 1.47 | 0.48 |

| Rep | X | Y |
|-----|-------|-------|
| 1 | -0.86 | 3.21 |
| 2 | -2.35 | 2.35 |
| 3 | -3.21 | 0.86 |
| 4 | -3.21 | -0.86 |
| 5 | -2.35 | -2.35 |
| 6 | -0.86 | -3.21 |
| 7 | 0.86 | -3.21 |
| 8 | 2.35 | -2.35 |
| 9 | 3.21 | -0.86 |
| 10 | 3.21 | 0.86 |
| 11 | 2.35 | 2.35 |
| 12 | 0.86 | 3.21 |
| 13 | 0 | 1.73 |
| 14 | -1.49 | 0.86 |
| 15 | -1.49 | -0.86 |
| 16 | 0 | -1.73 |
| 17 | 1.49 | -0.86 |
| 18 | 1.49 | 0.86 |

| Rep | X | Y |
|-----|-------|-------|
| 1 | -0.86 | 3.21 |
| 2 | -2.35 | 2.35 |
| 3 | -3.21 | 0.86 |
| 4 | -3.21 | -0.86 |
| 5 | -2.35 | -2.35 |
| 6 | -0.86 | -3.21 |
| 7 | 0.86 | -3.21 |
| 8 | 2.35 | -2.35 |
| 9 | 3.21 | -0.86 |
| 10 | 3.21 | 0.86 |
| 11 | 2.35 | 2.35 |
| 12 | 0.86 | 3.21 |
| 13 | 0 | 1.73 |
| 14 | -1.49 | 0.86 |
| 15 | -1.49 | -0.86 |
| 16 | 0 | -1.73 |
| 17 | 1.49 | -0.86 |
| 18 | 1.49 | 0.86 |
| 19 | 0 | 0 |

THIS DRAWING IS A CONTROLLED DOCUMENT FOR SOURIAU USA, INC. IT IS SUBJECT TO CHANGE WITHOUT NOTIFICATION. CONTACT THE DOCUMENT CONTROL CENTER FOR THE LATEST REVISION.

THE INFORMATION CONTAINED IN THIS DRAWING IS CONFIDENTIAL AND MAY NOT BE DISCLOSED WITHOUT WRITTEN CONSENT FROM SOURIAU USA, INC.

B

A

DRAWING TITLE
JBX, SIZE 2, FEMALE INSULATOR, PCB CONTACT

CAT NO. **JBX2INSFP**

CAGE NO: 09922 SIZE: B

| | | | |
|---|------------------------|--------------------|---------------------|
| CUSTOMER | SOURIAU | APPROVAL | DRAWN: TJS 02-04-15 |
| | | CHKD : EV 02-04-15 | |
| INTERPRET THIS DRAWING IN ACCORDANCE WITH ASME Y14.5M - 1994. | WWW.SOURIAU.COM | DSGN : EV 02-04-15 | |
| | | MFG : DH 02-04-15 | |
| | | QC : BB 02-04-15 | |
| | | DRAWING SCALE: NA | |
| | | DRAWING NO. REV | |
| | | JBX2INSFPC B | |
| | | 4 OF 4 | |

| ORIGIN | COUNTRY | JURISDICTION | CLASSIFICATION |
|--------|---------|--------------|----------------|
| X | FR | Not listed | N/A |
| | US | EAR | ECCN =EAR99 |

These commodities, technology or software are exported from the United States in accordance with the Export Administration Regulations. Diversion contrary to U.S. law is prohibited.

LINEAR MEASURE: $\frac{mm}{INCH}$ mm (INCH)

THIRD ANGLE PROJECTION

TOLERANCES UNLESS OTHERWISE SPECIFIED

| No. OF PLACES | mm [INCH] |
|---------------|-----------------------|
| ONE PLACE | $\pm 3 [\pm .1]$ |
| TWO PLACES | $\pm 0.5 [\pm .02]$ |
| THREE PLACES | $\pm 0.25 [\pm .010]$ |

ANGLES $\pm 1^\circ$

Mouser Electronics

Authorized Distributor

Click to View Pricing, Inventory, Delivery & Lifecycle Information:

Souriau:

[JBXEC2G08FPSDS](#) [JBXEC2G10FPSDS](#) [JBXEC2G12FPSDS](#) [JBXEC2G16FPSDS](#) [JBXEC2G18FPSDS](#)
[JBXEC2G19FPSDS](#)

Компания «Океан Электроники» предлагает заключение долгосрочных отношений при поставках импортных электронных компонентов на взаимовыгодных условиях!

Наши преимущества:

- Поставка оригинальных импортных электронных компонентов напрямую с производств Америки, Европы и Азии, а так же с крупнейших складов мира;
- Широкая линейка поставок активных и пассивных импортных электронных компонентов (более 30 млн. наименований);
- Поставка сложных, дефицитных, либо снятых с производства позиций;
- Оперативные сроки поставки под заказ (от 5 рабочих дней);
- Экспресс доставка в любую точку России;
- Помощь Конструкторского Отдела и консультации квалифицированных инженеров;
- Техническая поддержка проекта, помощь в подборе аналогов, поставка прототипов;
- Поставка электронных компонентов под контролем ВП;
- Система менеджмента качества сертифицирована по Международному стандарту ISO 9001;
- При необходимости вся продукция военного и аэрокосмического назначения проходит испытания и сертификацию в лаборатории (по согласованию с заказчиком);
- Поставка специализированных компонентов военного и аэрокосмического уровня качества (Xilinx, Altera, Analog Devices, Intersil, Interpoint, Microsemi, Actel, Aeroflex, Peregrine, VPT, Syfer, Eurofarad, Texas Instruments, MS Kennedy, Miteq, Cobham, E2V, MA-COM, Hittite, Mini-Circuits, General Dynamics и др.);

Компания «Океан Электроники» является официальным дистрибьютором и эксклюзивным представителем в России одного из крупнейших производителей разъемов военного и аэрокосмического назначения «JONHON», а так же официальным дистрибьютором и эксклюзивным представителем в России производителя высокотехнологичных и надежных решений для передачи СВЧ сигналов «FORSTAR».



JONHON

«JONHON» (основан в 1970 г.)

Разъемы специального, военного и аэрокосмического назначения:

(Применяются в военной, авиационной, аэрокосмической, морской, железнодорожной, горно- и нефтедобывающей отраслях промышленности)

«FORSTAR» (основан в 1998 г.)

ВЧ соединители, коаксиальные кабели, кабельные сборки и микроволновые компоненты:

(Применяются в телекоммуникациях гражданского и специального назначения, в средствах связи, РЛС, а так же военной, авиационной и аэрокосмической отраслях промышленности).



Телефон: 8 (812) 309-75-97 (многоканальный)

Факс: 8 (812) 320-03-32

Электронная почта: ocean@oceanchips.ru

Web: <http://oceanchips.ru/>

Адрес: 198099, г. Санкт-Петербург, ул. Калинина, д. 2, корп. 4, лит. А