

ELECTRICAL:

EMI SHIELDING : SHIELDED FOR THE RANGE 55dB UP TO 100MHZ

INSULATION RESISTANCE : >500MΩ PER ANSI-EIA-364-D METHOD 21

MAX. CURRENT RATING : SEE INSULATOR DRAWING

CONNECTOR TESTING VOLTAGE : SEE INSULATOR DRAWING

CONNECTOR WORKING VOLTAGE : SEE INSULATOR DRAWING

ENVIRONMENTAL:

ENDURANCE: 1000 CYCLES AS PER MIL-STD 1344A, METHOD 2016.1

SHOCK: 50 g , DURATION 6 ms; AS PER MIL-STD 1344A, METHOD 2004.1

VIBRATIONS: 10 TO 2000Hz g = 15g, AS PER MIL-STD 1344A, METHOD 2005.1

PROTECTION INDEX: IP 67 AS PER CEI 529

ROHS COMPLIANT

SALT MIST : 48Hr PER SAE AS 1344 METHOD 1001.1 CEI 529

OPERATING TEMPERATURE: -40°C TO +80°C (-40°F TO +176°F)

MASS (g)	VOLUME (mm ³)
16.8	3181

NOTES:

MATERIAL:

OUTER SHELL & PANEL NUT : } BRASS

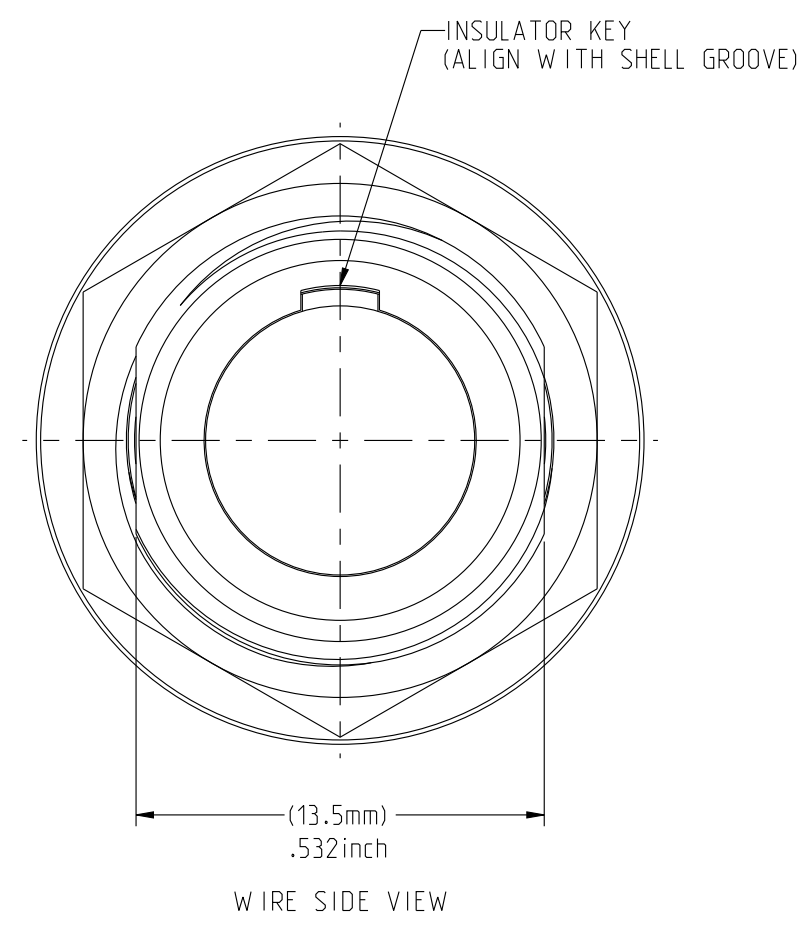
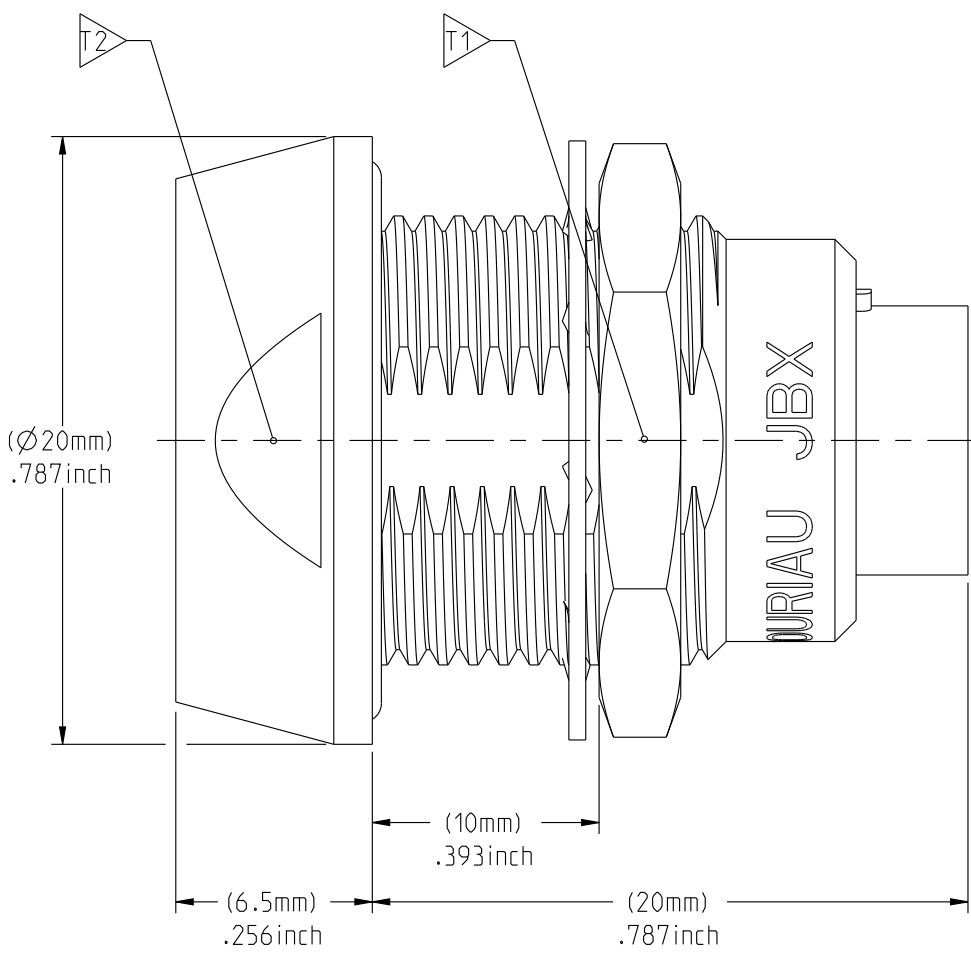
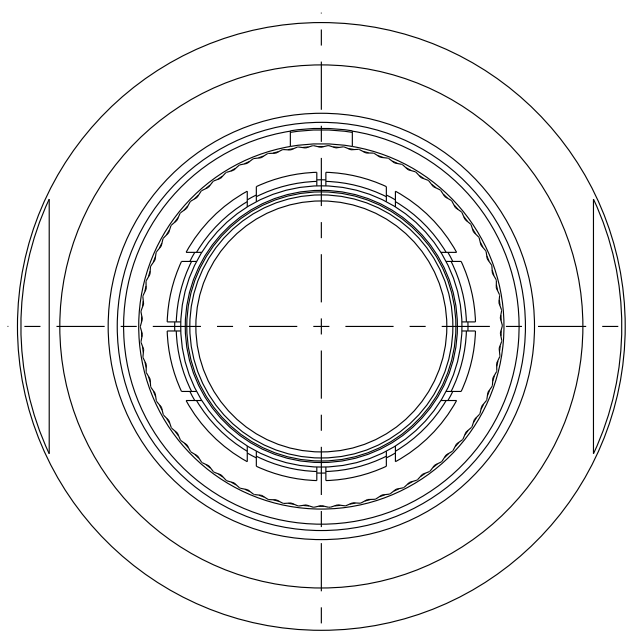
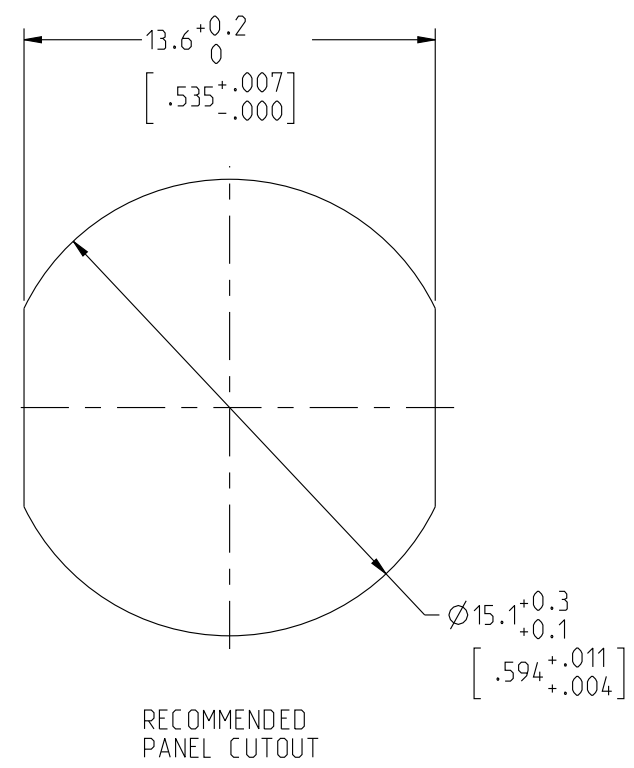
SHIELD RING & NUT: }

FINISH:

OUTER SHELL: CHROME

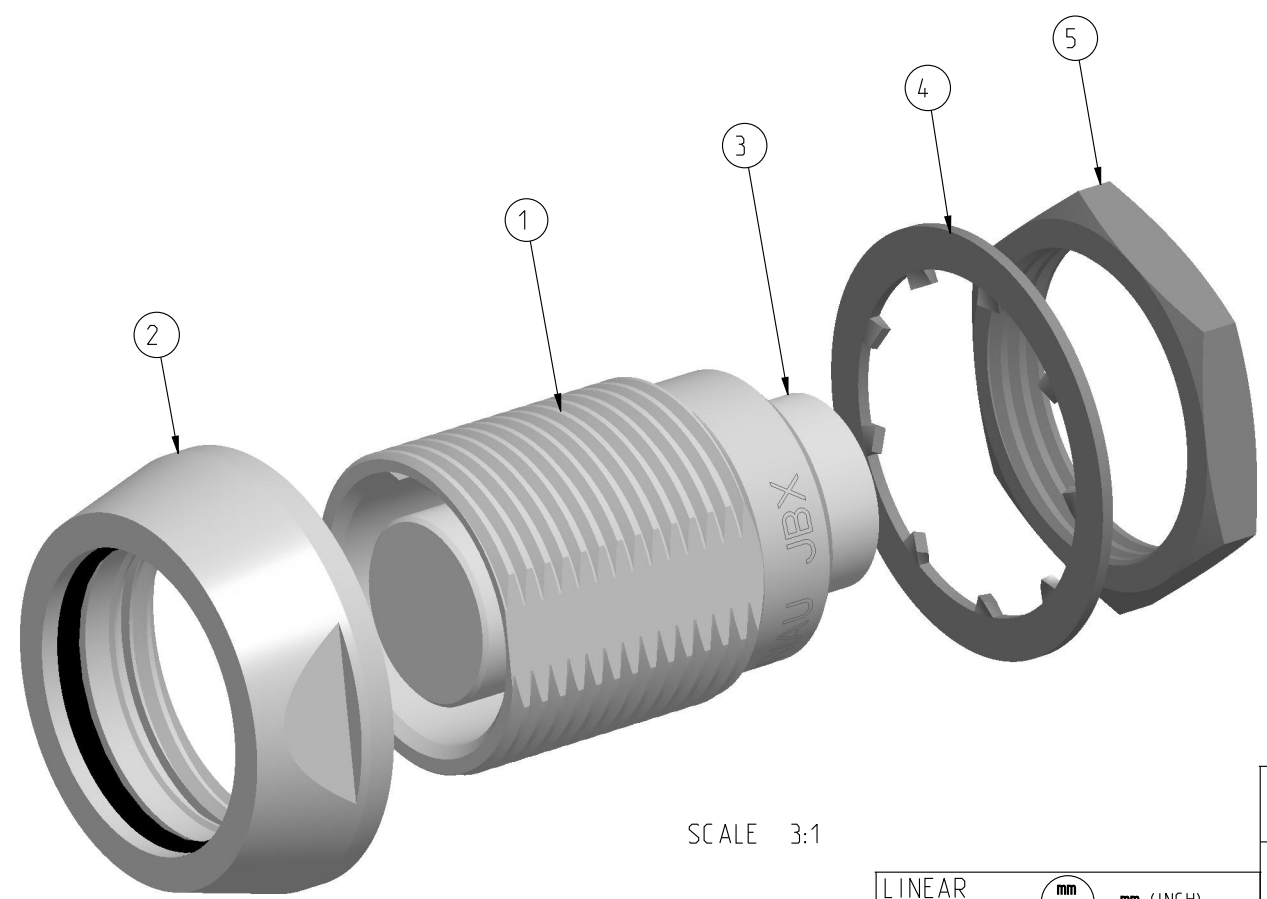
OTHER BRASS PARTS : NICKEL

TOOLS



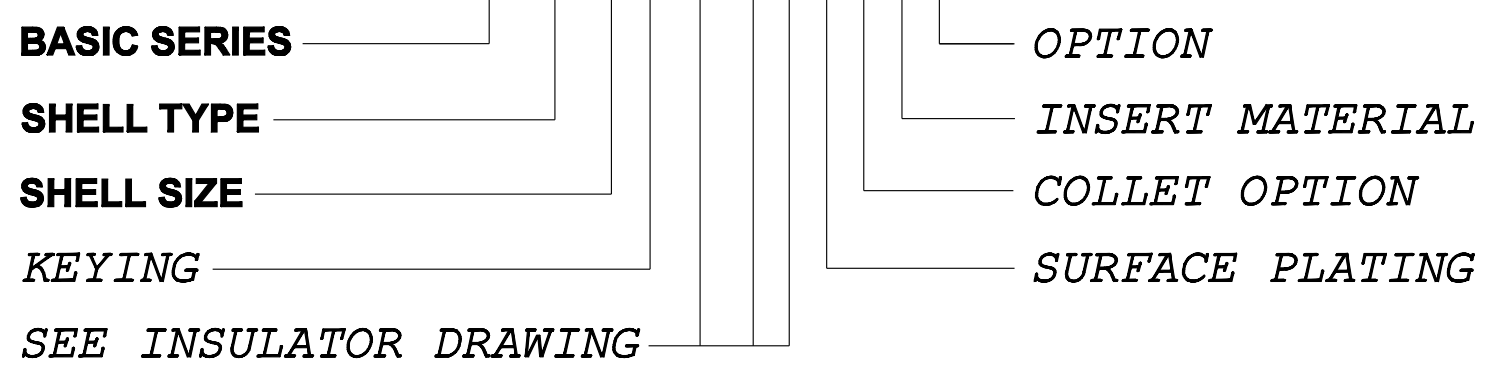
PART LIST	
ITEM NO.	DESCRIPTION
1	SHELL
2	PANEL NUT
3	INSULATOR
4	LOCK WASHER
5	HEX NUT

	TOOLS (JAW DIMENSION)	ADVISED TORQUE IN Nm
T1	17	1.7
T2	18	1.7



CATALOG NUMBER DESCRIPTION

JBX EC 2 XXXXXDX -



ORIGIN	COUNTRY	JURISDICTION	CLASSIFICATION
X	FR	Not listed	N/A
	US	EAR	ECCN =EAR99

These commodities, technology or software are exported from the United States in accordance with the Export Administration Regulations. Diversion contrary to U.S. law is prohibited.

LINEAR MEASURE:	mm (INCH)
THIRD ANGLE PROJECTION	
TOLERANCES UNLESS OTHERWISE SPECIFIED	
No. OF PLACES	mm [INCH]
WHOLE No.	±0.5 [±.02]
ONE PLACE	±0.2 [±.008]
TWO PLACES	±0.1 [±.004]
ANGLES ±1°	

DRAWING TITLE
JBX, SIZE 2, SEALED DOUBLE NUT PANEL RECEPTACLE

CAT NO. **JBXEC2**

CAGE NO: 09922 SIZE: C

CUSTOMER

INTERPRET THIS DRAWING IN ACCORDANCE WITH ASME Y14.5M - 1994.

SOURIAU
www.souriau.com

APPROVAL

DRAWN: SKV	01-27-15
CHKD: EV	01-27-15
DSGN: EV	01-27-15
MFG: DH	01-27-15
QC: BB	01-27-15
DRAWING SCALE: 4:1	
DRAWING NO. JBXEC2C	REV A

1 OF 1

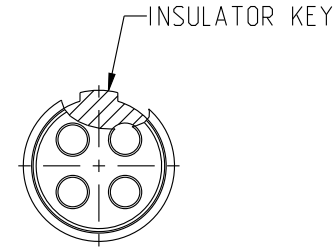
THIS DRAWING IS A CONTROLLED DOCUMENT FOR SOURIAU USA, INC. IT IS SUBJECT TO CHANGE WITHOUT NOTIFICATION. CONTACT THE DOCUMENT CONTROL CENTER FOR THE LATEST REVISION.

THE INFORMATION CONTAINED IN THIS DRAWING IS CONFIDENTIAL AND MAY NOT BE DISCLOSED WITHOUT WRITTEN CONSENT FROM SOURIAU USA, INC.

DWG. NO.
JBX2INSFPC

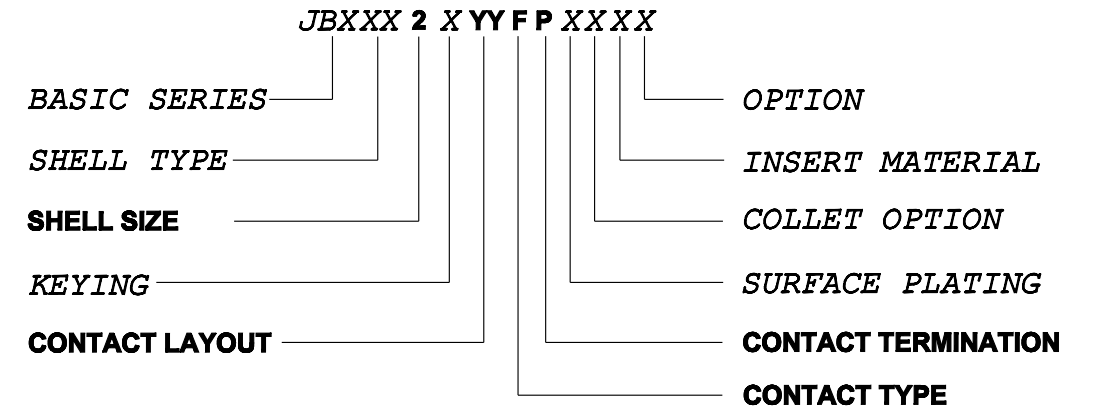
FEMALE INSULATOR, PCB CONTACT

CONTACT LAYOUT	04	05	
FRONT SIDE VIEW			
REAR SIDE VIEW			
CONTACT			
ISO VIEW			
CONTACT	ØC	1.3	1.3
	ØF	0.7	0.7
	MAX. AWG	-	-
	MAX. CURRENT RATING (A)	15	15
	CONTACT RESISTANCE (mΩ)	3	3
INSULATOR	NUMBER OF CAVITY	4	5
	MAX. CURRENT RATING	15	14
	TEST VOLTAGE (Vrms)	2400	1900
	WORKING VOLTAGE (Vdc/Vrms)	1000/700	900/630



CONTACT TYPE : F (FEMALE)
CONTACT TERMINATION : P (PCB)
MATERIAL :
 CONTACT: CUPRO-NICKEL
 INSULATOR: PEEK
FINISH :
 CONTACTS : GOLD

CATALOG NUMBER DESCRIPTION



THIS DRAWING IS A CONTROLLED DOCUMENT FOR SOURIAU USA, INC. IT IS SUBJECT TO CHANGE WITHOUT NOTIFICATION. CONTACT THE DOCUMENT CONTROL CENTER FOR THE LATEST REVISION.

THE INFORMATION CONTAINED IN THIS DRAWING IS CONFIDENTIAL AND MAY NOT BE DISCLOSED WITHOUT WRITTEN CONSENT FROM SOURIAU USA, INC.

B	REVISED PER ECN 12286	RSK 06-10-15	EV 06-10-15
A	RELEASED PER ECN 12264	TJS 03-10-15	EV 03-10-15
REV	DESCRIPTION	BY DATE	CHKD DATE

DRAWING TITLE JBX, SIZE 2, FEMALE INSULATOR, PCB CONTACT	
CAT NO. JBX2INSFP	
CAGE NO: 09922	SIZE: B
CUSTOMER	SOURIAU
INTERPRET THIS DRAWING IN ACCORDANCE WITH ASME Y14.5M - 1994.	
APPROVAL	DRAWN: TJS 02-04-15 CHKD : EV 02-04-15 DSGN : EV 02-04-15 MFG : DH 02-04-15 QC : BB 02-04-15
DRAWING SCALE: NA	
DRAWING NO. REV	
JBX2INSFPC B	
1 OF 4	

ORIGIN	COUNTRY	JURISDICTION	CLASSIFICATION
X	FR	Not listed	N/A
	US	EAR	ECCN =EAR99

These commodities, technology or software are exported from the United States in accordance with the Export Administration Regulations. Diversion contrary to U.S. law is prohibited.

LINEAR MEASURE: $\frac{mm}{INCH}$ mm (INCH)

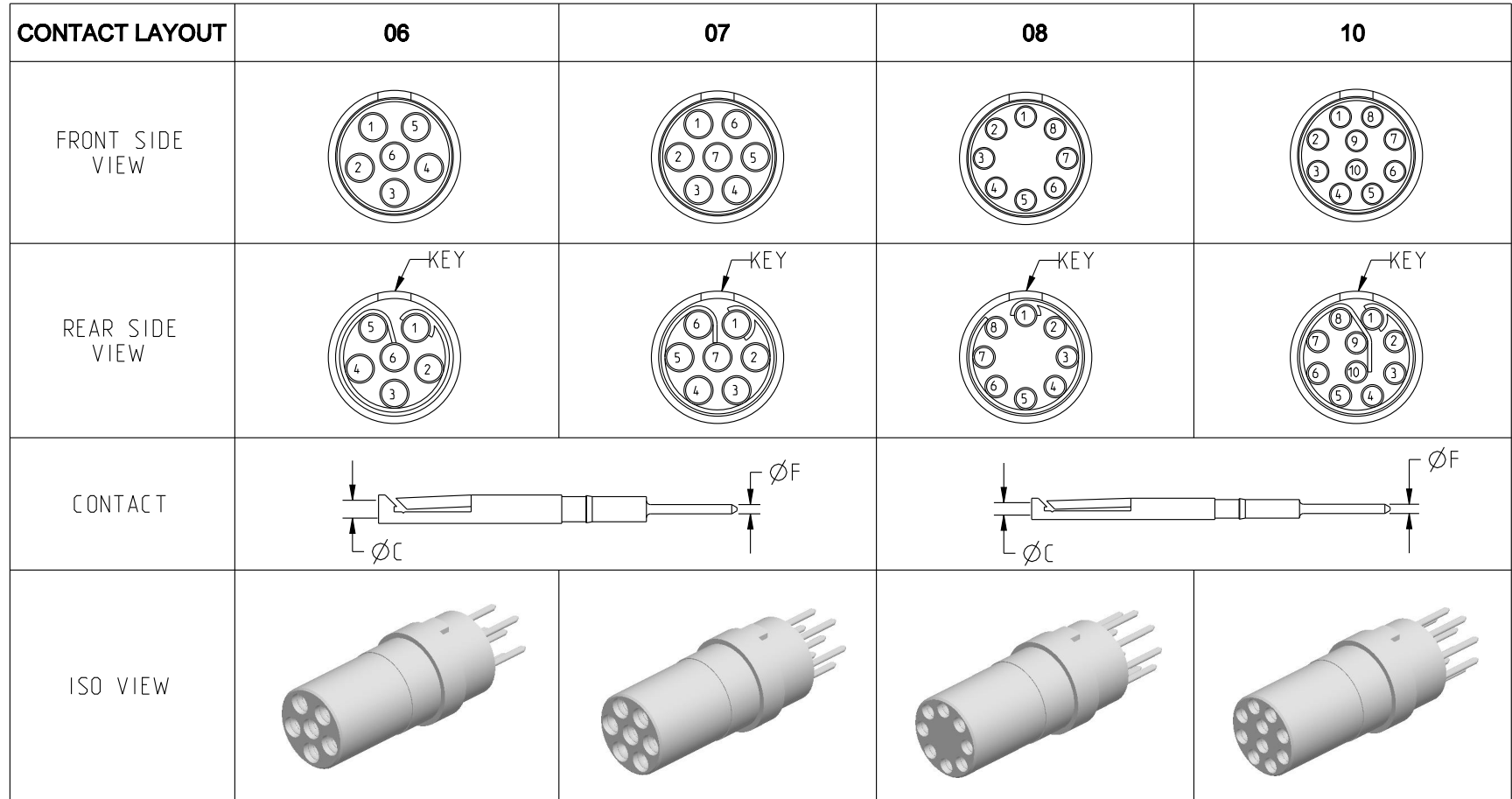
THIRD ANGLE PROJECTION

TOLERANCES UNLESS OTHERWISE SPECIFIED

No. OF PLACES	mm [INCH]
ONE PLACE	±3 [±.1]
TWO PLACES	±0.5 [±.02]
THREE PLACES	±0.25 [±.010]

ANGLES ±1°

DWG. NO.
JBX2INSFPC



	CONTACT				
	ØC	1.3	1.3	0.9	0.9
ØF	0.7	0.7	0.7	0.7	
MAX. AWG	-	-	-	-	
MAX. CURRENT RATING (A)	15	15	10	10	
CONTACT RESISTANCE (mΩ)	3	3	3.5	3.5	
INSULATOR	NUMBER OF CAVITY	6	7	8	10
	MAX. CURRENT RATING	12	11	10	8
	TEST VOLTAGE (Vrms)	1900	1500	1700	1700
	WORKING VOLTAGE (Vdc/Vrms)	900/630	730/500	830/560	830/560

THIS DRAWING IS A CONTROLLED DOCUMENT FOR SOURIAU USA, INC. IT IS SUBJECT TO CHANGE WITHOUT NOTIFICATION. CONTACT THE DOCUMENT CONTROL CENTER FOR THE LATEST REVISION.

THE INFORMATION CONTAINED IN THIS DRAWING IS CONFIDENTIAL AND MAY NOT BE DISCLOSED WITHOUT WRITTEN CONSENT FROM SOURIAU USA, INC.

B

A

DRAWING TITLE
JBX, SIZE 2, FEMALE INSULATOR, PCB CONTACT

CAT NO. **JBX2INSFP**

CAGE NO: 09922 SIZE: B

CUSTOMER	SOURIAU	APPROVAL	DRAWN: TJS	02-04-15
			CHKD : EV	02-04-15
			DSGN : EV	02-04-15
			MFG : DH	02-04-15
			QC : BB	02-04-15
WWW.SOURIAU.COM		DRAWING SCALE: NA		
		DRAWING NO.	REV	
		JBX2INSFPC	B	
		2 OF 4		

LINEAR MEASURE: $\frac{mm}{INCH}$ mm (INCH)

THIRD ANGLE PROJECTION

TOLERANCES UNLESS OTHERWISE SPECIFIED

No. OF PLACES	mm [INCH]
ONE PLACE	±3 [±.1]
TWO PLACES	±0.5 [±.02]
THREE PLACES	±0.25 [±.010]

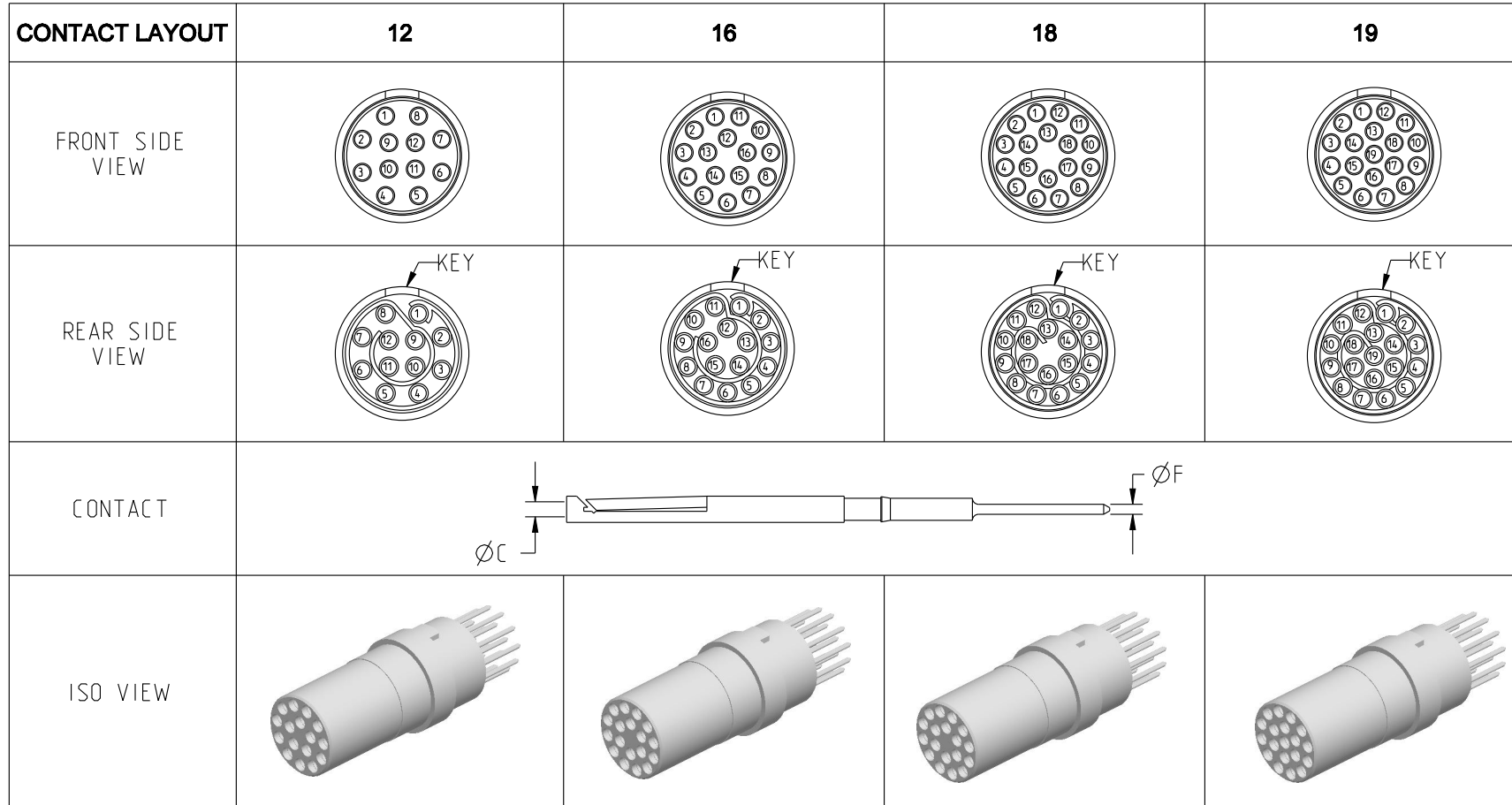
ANGLES ±1°

ORIGIN	COUNTRY	JURISDICTION	CLASSIFICATION
X	FR	Not listed	N/A
	US	EAR	ECCN =EAR99

These commodities, technology or software are exported from the United States in accordance with the Export Administration Regulations. Diversion contrary to U.S. law is prohibited

INTERPRET THIS DRAWING IN ACCORDANCE WITH ASME Y14.5M - 1994.

DWG. NO.
JBX2INSFPC



CONTACT	ØC	0.7	0.7	0.7	0.7
	ØF	0.5	0.5	0.5	0.5
MAX. AWG	-	-	-	-	
MAX. CURRENT RATING (A)	7	7	7	7	
CONTACT RESISTANCE (mΩ)	5	5	5	5	
INSULATOR	NUMBER OF CAVITY	12	16	18	19
	MAX. CURRENT RATING	7	6	5.5	5
	TEST VOLTAGE (Vrms)	1700	1500	1400	1400
	WORKING VOLTAGE (Vdc/Vrms)	830/560	730/500	660/460	660/460

DRAWING TITLE
JBX, SIZE 2, FEMALE INSULATOR, PCB CONTACT

CAT NO. **JBX2INSFP**

CAGE NO: 09922 SIZE: B

CUSTOMER	SOURIAU	APPROVAL	DRAWN: TJS	02-04-15
			CHKD : EV	02-04-15
			DSGN : EV	02-04-15
			MFG : DH	02-04-15
			QC : BB	02-04-15
		DRAWING SCALE: NA		
		DRAWING NO. REV		
		JBX2INSFPC B		
		3 OF 4		

INTERPRET THIS DRAWING IN ACCORDANCE WITH ASME Y14.5M - 1994.

WWW.SOURIAU.COM

ORIGIN	COUNTRY	JURISDICTION	CLASSIFICATION
X	FR	Not listed	N/A
	US	EAR	ECCN =EAR99

These commodities, technology or software are exported from the United States in accordance with the Export Administration Regulations. Diversion contrary to U.S. law is prohibited

LINEAR MEASURE: $\frac{mm}{INCH}$ mm (INCH)

THIRD ANGLE PROJECTION

TOLERANCES UNLESS OTHERWISE SPECIFIED

No. OF PLACES	mm [INCH]
ONE PLACE	±3 [±.1]
TWO PLACES	±0.5 [±.02]
THREE PLACES	±0.25 [±.010]

ANGLES ±1°

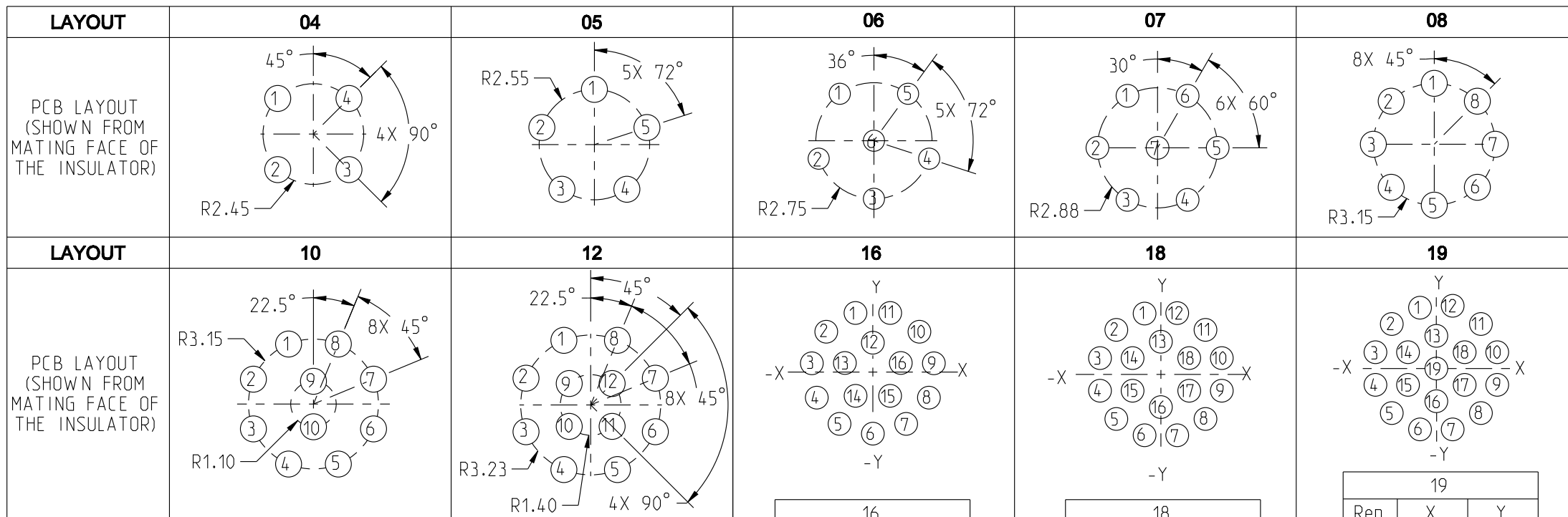
THIS DRAWING IS A CONTROLLED DOCUMENT FOR SOURIAU USA, INC. IT IS SUBJECT TO CHANGE WITHOUT NOTIFICATION. CONTACT THE DOCUMENT CONTROL CENTER FOR THE LATEST REVISION.

THE INFORMATION CONTAINED IN THIS DRAWING IS CONFIDENTIAL AND MAY NOT BE DISCLOSED WITHOUT WRITTEN CONSENT FROM SOURIAU USA, INC.

B

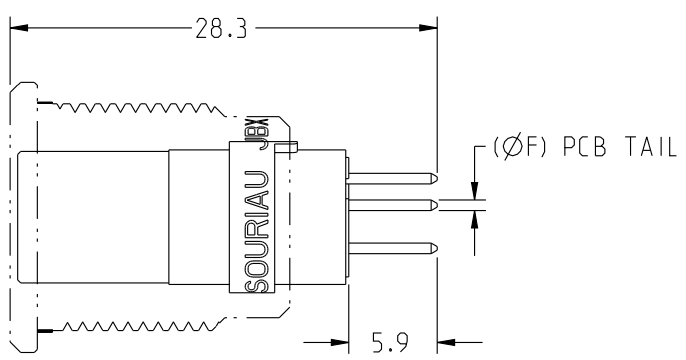
A

DWG. NO.
JBX2INSFPC



1. ALL DIMENSIONS ARE ± 0.05
2. SEE TABLE 1 FOR RECOMMENDED FINISHED PCB HOLE SIZE.

CONTACT PCB TAIL SIZE DIA	FINISHED PCB HOLE SIZE DIA
0.5	0.75
0.7	0.95



SAMPLE ASSEMBLY FOR INFORMATION

Rep	X	Y
1	-0.92	3.14
2	-2.48	2.15
3	-3.24	0.48
4	-2.98	-1.36
5	-1.77	-2.76
6	0	-3.28
7	1.77	-2.76
8	2.98	-1.36
9	3.24	0.47
10	2.48	2.15
11	0.92	3.14
12	0	1.55
13	-1.47	0.48
14	-0.91	-1.25
15	0.91	-1.25
16	1.47	0.48

Rep	X	Y
1	-0.86	3.21
2	-2.35	2.35
3	-3.21	0.86
4	-3.21	-0.86
5	-2.35	-2.35
6	-0.86	-3.21
7	0.86	-3.21
8	2.35	-2.35
9	3.21	-0.86
10	3.21	0.86
11	2.35	2.35
12	0.86	3.21
13	0	1.73
14	-1.49	0.86
15	-1.49	-0.86
16	0	-1.73
17	1.49	-0.86
18	1.49	0.86

Rep	X	Y
1	-0.86	3.21
2	-2.35	2.35
3	-3.21	0.86
4	-3.21	-0.86
5	-2.35	-2.35
6	-0.86	-3.21
7	0.86	-3.21
8	2.35	-2.35
9	3.21	-0.86
10	3.21	0.86
11	2.35	2.35
12	0.86	3.21
13	0	1.73
14	-1.49	0.86
15	-1.49	-0.86
16	0	-1.73
17	1.49	-0.86
18	1.49	0.86
19	0	0

THIS DRAWING IS A CONTROLLED DOCUMENT FOR SOURIAU USA, INC. IT IS SUBJECT TO CHANGE WITHOUT NOTIFICATION. CONTACT THE DOCUMENT CONTROL CENTER FOR THE LATEST REVISION.

THE INFORMATION CONTAINED IN THIS DRAWING IS CONFIDENTIAL AND MAY NOT BE DISCLOSED WITHOUT WRITTEN CONSENT FROM SOURIAU USA, INC.

DRAWING TITLE
JBX, SIZE 2, FEMALE INSULATOR, PCB CONTACT

CAT NO. **JBX2INSFP**

CAGE NO: 09922 SIZE: B

CUSTOMER	SOURIAU	APPROVAL	DRAWN: TJS	02-04-15
		CHKD : EV	02-04-15	
INTERPRET THIS DRAWING IN ACCORDANCE WITH ASME Y14.5M - 1994.	WWW.SOURIAU.COM	DSGN : EV	02-04-15	
		MFG : DH	02-04-15	
		QC : BB	02-04-15	
		DRAWING SCALE: NA		
		DRAWING NO. REV		
		JBX2INSFPC B		
		4 OF 4		

ORIGIN	COUNTRY	JURISDICTION	CLASSIFICATION
X	FR	Not listed	N/A
	US	EAR	ECCN =EAR99

These commodities, technology or software are exported from the United States in accordance with the Export Administration Regulations. Diversion contrary to U.S. law is prohibited.

LINEAR MEASURE: $\frac{mm}{INCH}$ mm (INCH)

THIRD ANGLE PROJECTION

TOLERANCES UNLESS OTHERWISE SPECIFIED

No. OF PLACES	mm [INCH]
ONE PLACE	$\pm 3 [\pm .1]$
TWO PLACES	$\pm 0.5 [\pm .02]$
THREE PLACES	$\pm 0.25 [\pm .010]$

ANGLES $\pm 1^\circ$

B

A

Mouser Electronics

Authorized Distributor

Click to View Pricing, Inventory, Delivery & Lifecycle Information:

Souriau:

[JBXEC2G08FPSDS](#) [JBXEC2G10FPSDS](#) [JBXEC2G12FPSDS](#) [JBXEC2G16FPSDS](#) [JBXEC2G18FPSDS](#)
[JBXEC2G19FPSDS](#)

Компания «Океан Электроники» предлагает заключение долгосрочных отношений при поставках импортных электронных компонентов на взаимовыгодных условиях!

Наши преимущества:

- Поставка оригинальных импортных электронных компонентов напрямую с производств Америки, Европы и Азии, а так же с крупнейших складов мира;
- Широкая линейка поставок активных и пассивных импортных электронных компонентов (более 30 млн. наименований);
- Поставка сложных, дефицитных, либо снятых с производства позиций;
- Оперативные сроки поставки под заказ (от 5 рабочих дней);
- Экспресс доставка в любую точку России;
- Помощь Конструкторского Отдела и консультации квалифицированных инженеров;
- Техническая поддержка проекта, помощь в подборе аналогов, поставка прототипов;
- Поставка электронных компонентов под контролем ВП;
- Система менеджмента качества сертифицирована по Международному стандарту ISO 9001;
- При необходимости вся продукция военного и аэрокосмического назначения проходит испытания и сертификацию в лаборатории (по согласованию с заказчиком);
- Поставка специализированных компонентов военного и аэрокосмического уровня качества (Xilinx, Altera, Analog Devices, Intersil, Interpoint, Microsemi, Actel, Aeroflex, Peregrine, VPT, Syfer, Eurofarad, Texas Instruments, MS Kennedy, Miteq, Cobham, E2V, MA-COM, Hittite, Mini-Circuits, General Dynamics и др.);

Компания «Океан Электроники» является официальным дистрибьютором и эксклюзивным представителем в России одного из крупнейших производителей разъемов военного и аэрокосмического назначения «JONHON», а так же официальным дистрибьютором и эксклюзивным представителем в России производителя высокотехнологичных и надежных решений для передачи СВЧ сигналов «FORSTAR».



JONHON

«JONHON» (основан в 1970 г.)

Разъемы специального, военного и аэрокосмического назначения:

(Применяются в военной, авиационной, аэрокосмической, морской, железнодорожной, горно- и нефтедобывающей отраслях промышленности)

«FORSTAR» (основан в 1998 г.)

ВЧ соединители, коаксиальные кабели,
кабельные сборки и микроволновые компоненты:

(Применяются в телекоммуникациях гражданского и специального назначения, в средствах связи, РЛС, а так же военной, авиационной и аэрокосмической отраслях промышленности).



Телефон: 8 (812) 309-75-97 (многоканальный)

Факс: 8 (812) 320-03-32

Электронная почта: ocean@oceanchips.ru

Web: <http://oceanchips.ru/>

Адрес: 198099, г. Санкт-Петербург, ул. Калинина, д. 2, корп. 4, лит. А