

DATA SHEET

SKY13396-397LF: 0.4 to 3.0 GHz DPDT Switch

Applications

- Simultaneous voice and LTE systems
- Diversity antenna switching

Features

- Single control voltage input
- Broadband frequency range: 0.4 to 3.0 GHz
- Low insertion loss: 0.5 dB @ 2.2 GHz
- No DC blocking capacitors required
- Positive control voltage range: 1.35 to 3.1 V
- GSM power handling
- Small QFN (12-pin, 2 x 2 mm) package (MSL1, 260 °C per JEDEC J-STD-020)



Skyworks Green™ products are compliant with all applicable legislation and are halogen-free. For additional information, refer to *Skyworks Definition of Green™*, document number SQ04-0074.

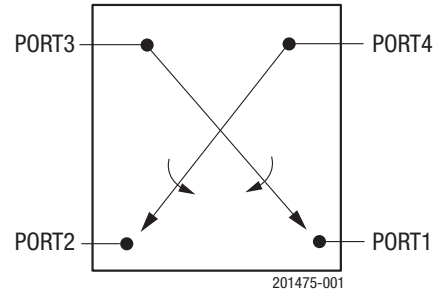


Figure 1. SKY13396-397LF Block Diagram

Description

The SKY13396-397LF is a state-of-the-art CMOS, Silicon-On-Insulator (SOI) double-pole, double-throw (DPDT) switch. The switch provides high-linearity performance, low insertion loss, and high isolation.

Switching is controlled by one voltage input (CTRL1). Depending on the logic voltage level applied to this pin, the PORT1 and PORT2 pins connect to one of the two other RF port pins (PORT3 or PORT4) through a low insertion loss path, while maintaining a high isolation path to the alternate port. No external DC blocking capacitors are required on the RF path as long as no DC voltage is applied externally.

The SKY13396-397LF DPDT switch is provided in a compact Quad Flat No-Lead (QFN) 2 x 2 mm package. A functional block diagram is shown in Figure 1. The pin configuration and package are shown in Figure 2. Signal pin assignments and functional pin descriptions are provided in Table 1.

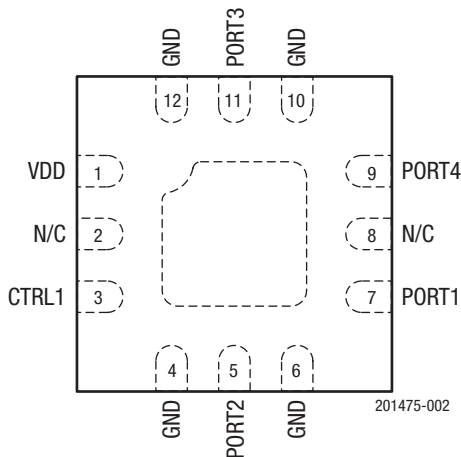


Figure 2. SKY13396-397LF Pinout (Top View)

Table 1. SKY13396-397LF Signal Descriptions¹

Pin	Name	Description	Pin	Name	Description
1	VDD	DC power supply	7	PORT1	RF port 1
2	N/C	No connection. Pin may be grounded.	8	N/C	No connection. Pin may be grounded.
3	CTRL1	DC control voltage 1. See Table 4.	9	PORT4	RF Port 4
4	GND	Ground. Internally grounded.	10	GND	Ground. Internally grounded.
5	PORT2	RF port 2	11	PORT3	RF port 3
6	GND	Ground. Internally grounded.	12	GND	Ground. Internally grounded.

¹ Exposed pad must be properly grounded using a low impedance path.

Table 2. SKY13396-397LF Absolute Maximum Ratings¹

Parameter	Symbol	Minimum	Maximum	Units
Supply voltage	V _{DD}		5.5	V
Control voltage	V _{CTL}		3.3	V
Input power	P _{IN}		+39	dBm
Storage temperature	T _{STG}	-40	+125	°C
Operating temperature	T _{OP}	-30	+90	°C
Electrostatic discharge: Human Body Model (HBM), Class 1B	ESD		500	V

¹ Exposure to maximum rating conditions for extended periods may reduce device reliability. There is no damage to device with only one parameter set at the limit and all other parameters set at or below their nominal value. Exceeding any of the limits listed here may result in permanent damage to the device.

ESD HANDLING: *Although this device is designed to be as robust as possible, electrostatic discharge (ESD) can damage this device. This device must be protected at all times from ESD when handling or transporting. Static charges may easily produce potentials of several kilovolts on the human body or equipment, which can discharge without detection. Industry-standard ESD handling precautions should be used at all times.*

Functional Description

The SKY13396-397LF DPDT switch can be used to connect either RF port 1 or RF port 2 to either RF port 3 or RF port 4 by applying the proper bias to the control pin, CTRL1. When Port 1 is connected to Port 4 using a low loss path, Port 2 is connected to Port 3 also with a low loss path. When Port 1 is connected to Port 3 using low loss path, Port 2 is connected to Port 4 also with a low loss path.

The DPDT switch is designed to maximize the isolation between ports to minimize coupling between RF paths.

Electrical and Mechanical Specifications

The absolute maximum ratings of the SKY13396-397LF are provided in Table 2. Electrical specifications are provided in Table 3.

The state of the SKY13396-397LF is determined by the logic provided in Table 4.

Table 3. SKY13396-397LF Electrical Specifications¹

(V_{DD} = 2.5 V, V_{CTL} = 0 V and +1.8 V, T_{OP} = +25 °C, P_{IN} = 0 dBm, Characteristic Impedance [Z₀] = 50 Ω, Unless Otherwise Noted)

Parameter	Symbol	Test Condition	Min	Typ	Max	Units
RF Specifications						
Insertion loss	IL	PORT1/PORT2 to PORT3/PORT4:				
		0.4 to 1.0 GHz		0.4	0.45	dB
		1.0 to 2.2 GHz		0.5	0.55	dB
		2.5 to 2.7 GHz		0.6	0.7	dB
Isolation	Iso	PORT1/PORT2 to PORT3/PORT4, PORT1 to PORT2, PORT3 to PORT4:				
		0.4 to 1.0 GHz	23	25		dB
		1.0 to 2.2 GHz	18	20		dB
		2.5 to 2.7 GHz	15	17		dB
Return loss	IS11I	PORT1/PORT2 to PORT3/PORT4, 0.4 to 3.0 GHz	17	20		dB
Third order input intercept point	IIP3	P _{IN} = +20 dBm/tone, Δf = 1 MHz, 0.7 to 3.0 GHz		63		dB
2 nd harmonic	2fo	P _{IN} = +25 dBm, 0.7 to 3.0 GHz		-70	-55	dBm
Band 13 2 nd harmonic	2fo_B13	f = 786.5 MHz, P _{IN} = +25 dBm		-89	-81	dBm
3 rd harmonic	3fo	P _{IN} = +25 dBm, 0.7 to 3.0 GHz		-63	-55	dBm
Band 17 3 rd harmonic	3fo_B17	f = 710 MHz, P _{IN} = +25 dBm		-89	-81	dBm
GSM harmonics:						
Low band	2fo	fo = 824 to 915 MHz, P _{IN} = +35 dBm, 50 Ω		-65	-55	dBm
	3fo	fo = 824 to 915 MHz, P _{IN} = +35 dBm, 50 Ω		-55	-50	dBm
	2fo	fo = 824 to 915 MHz, P _{IN} = +35 dBm, 5:1 VSWR, all phases		-59	-50	dBm
	3fo	fo = 824 to 915 MHz, P _{IN} = +35 dBm, 5:1 VSWR, all phases		-47	-38	dBm
High band	2fo	fo = 1710 to 1910 MHz, P _{IN} = +33 dBm, 50 Ω		-55	-45	dBm
	3fo	fo = 1710 to 1910 MHz, P _{IN} = +33 dBm, 50 Ω		-55	-40	dBm
	2fo	fo = 1710 to 1910 MHz, P _{IN} = +33 dBm, 5:1 VSWR, all phases		-45	-40	dBm
	3fo	fo = 1710 to 1910 MHz, P _{IN} = +33 dBm, 5:1 VSWR, all phases		-47	-38	dBm
Second order intermodulation distortion	IMD2	f1 > 800 MHz @ +20 dBm, f2 > 2.5 GHz @ -15 dBm		-105	-100	dBm
Third order intermodulation distortion	IMD3	f1 > 800 MHz @ +20 dBm, f2 > 2.5 GHz @ -15 dBm		-104	-95	dBm
Switching speed		50% V1/V2 to 90/10% RF		3	5	μs
		90/10% RF or 10/90% RF		3	5	μs
DC Specifications						
Control voltage:						
High	V _{CTL_H}		1.35	2.70	3.10	V
Low	V _{CTL_L}		-0.20	0	+0.45	V
Supply voltage	V _{DD}		2.5		4.8	V
Supply current	I _{DD}			35	65	μA
Control current	I _{CC}			5	10	μA

¹ Performance is guaranteed only under the conditions listed in this table.

Table 4. SKY13396-397LF Truth Table¹

CTRL1	State
1	PORT3 to PORT1, PORT4 to PORT2
0	PORT3 to PORT2, PORT4 to PORT1

¹ 1 = 1.35 to 3.1 V

0 = -0.20 to +0.45 V

Any state other than described in this table places the switch into an undefined state.

Evaluation Board Description

The SKY13396-397LF Evaluation Board is used to test the performance of the SKY13396-397LF DPDT Switch.

An Evaluation Board schematic diagram is provided in Figure 3. An assembly drawing for the Evaluation Board is shown in Figure 4.

Package Dimensions

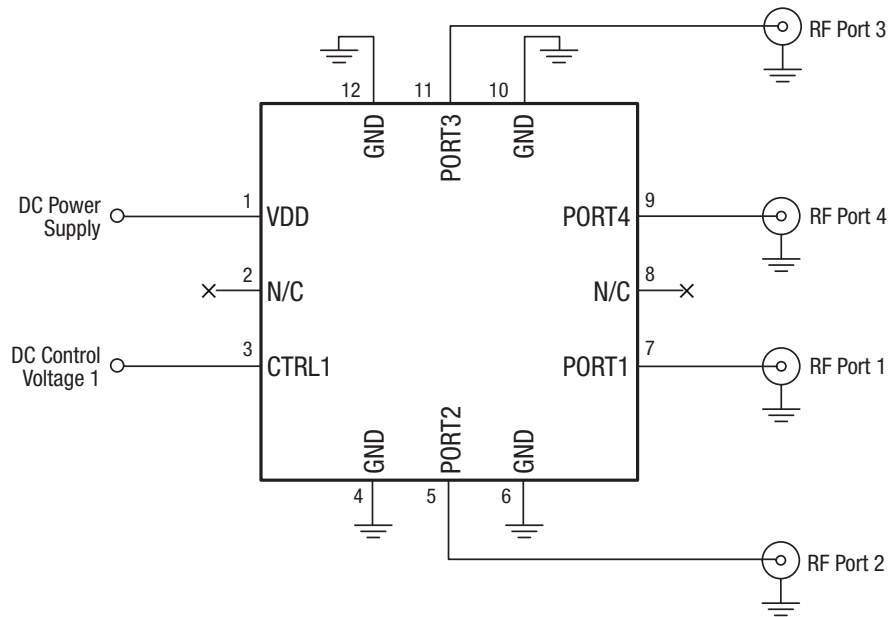
The PCB layout footprint for the SKY13396-397LF is provided in Figure 5. Typical part markings are shown in Figure 6. Package dimensions are shown in Figure 7, and tape and reel dimensions are provided in Figure 8.

Package and Handling Information

Instructions on the shipping container label regarding exposure to moisture after the container seal is broken must be followed. Otherwise, problems related to moisture absorption may occur when the part is subjected to high temperature during solder assembly.

The SKY13396-397LF is rated to Moisture Sensitivity Level 1 (MSL1) at 260 °C. It can be used for lead or lead-free soldering. For additional information, refer to the Skyworks Application Note, *Solder Reflow Information*, document number 200164.

Care must be taken when attaching this product, whether it is done manually or in a production solder reflow environment. Production quantities of this product are shipped in a standard tape and reel format.



201475-003

Figure 3. SKY13396-397LF Evaluation Board Schematic

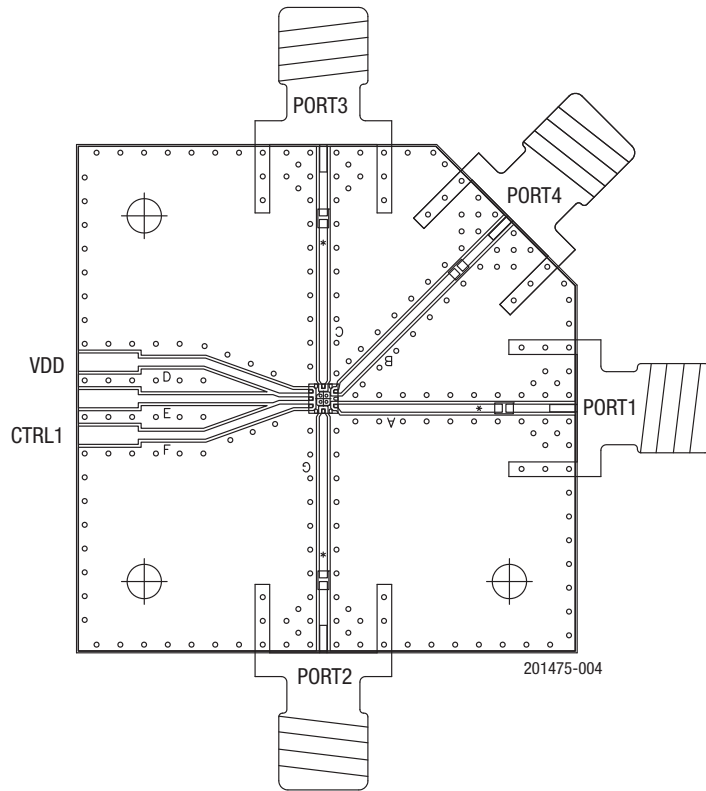
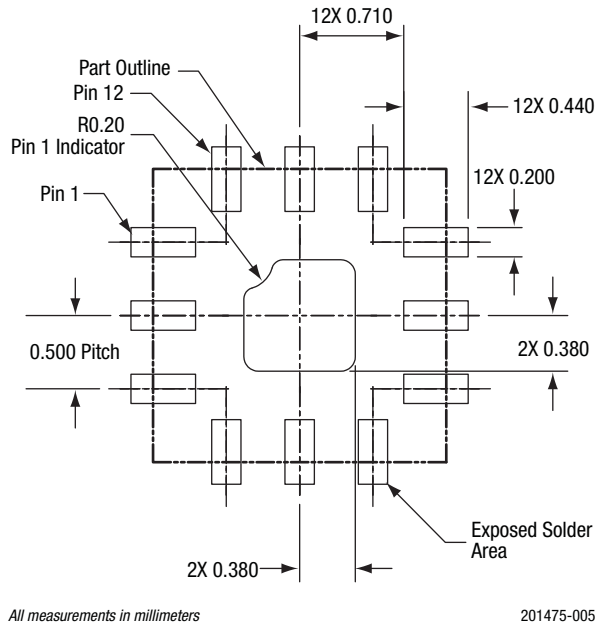


Figure 4. SKY13396-397LF Evaluation Board Assembly Diagram



All measurements in millimeters

201475-005

Figure 5. SKY13396-397LF PCB Layout Footprint (Top View)

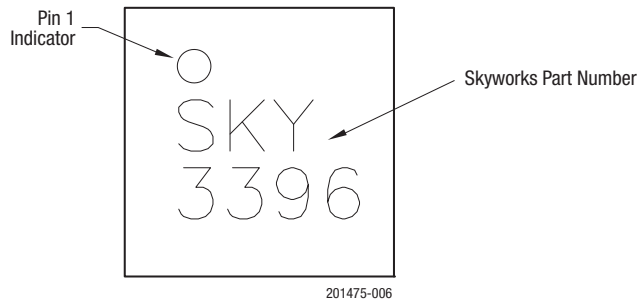
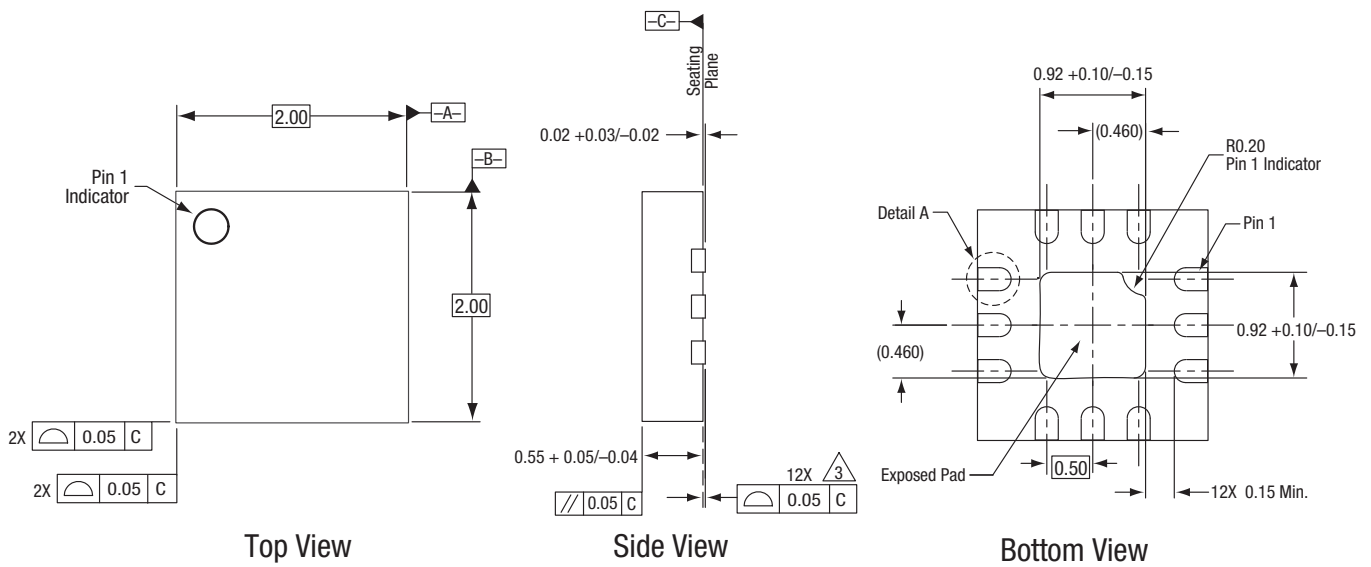
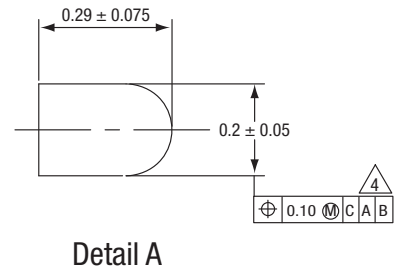


Figure 6. Typical Part Markings (Top View)



Notes:

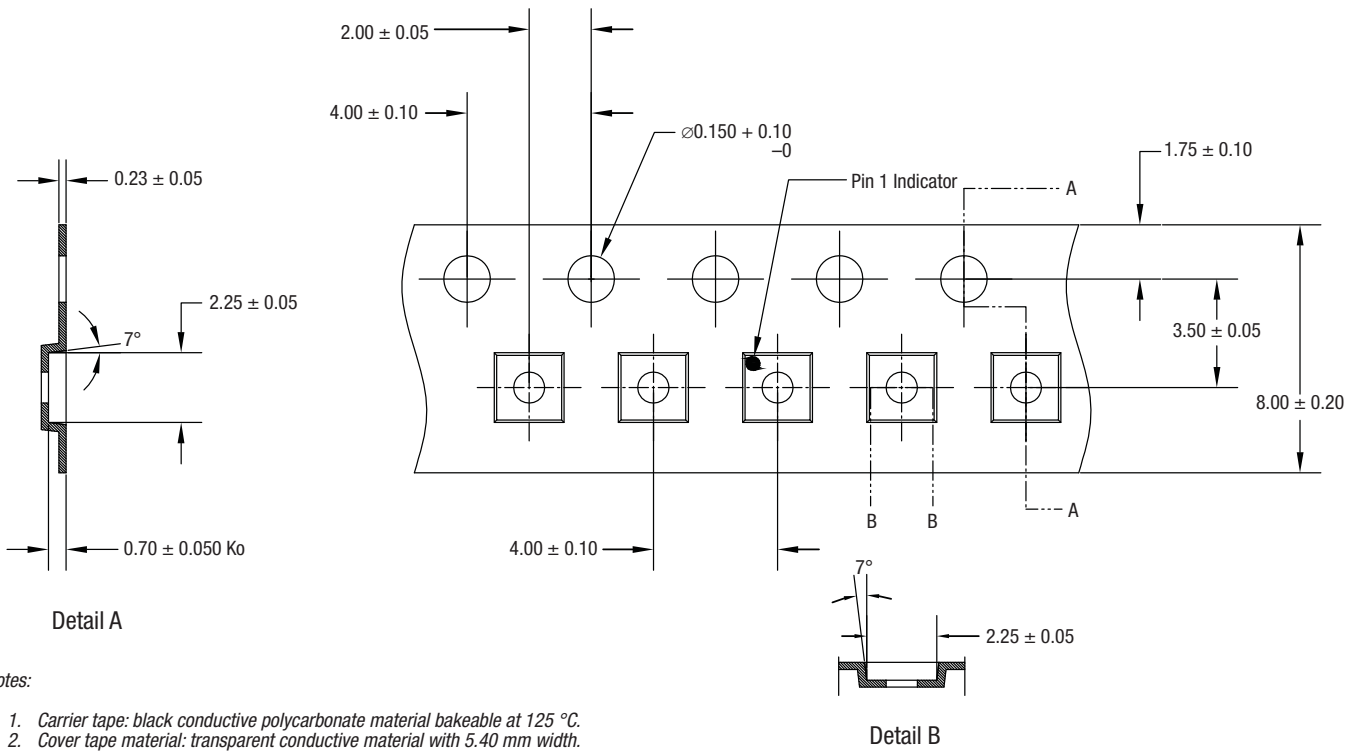
1. All measurements are in millimeters.
2. Dimensions and tolerances according to ASME Y14.5M-1994.
3. Coplanarity applies to the terminals and all other bottom surface metallization.
4. Dimension applies to metallized terminal. If the terminal has a radius on its end, the width dimension should not be measured in that radius area.



Detail A

201475-007

Figure 7. SKY13396-397LF Package Dimensions



201475-008

Figure 8. SKY13396-397LF Tape and Reel Dimensions

Ordering Information

Model Name	Manufacturing Part Number	Evaluation Board Part Number
SKY13396-397LF: DPDT Switch	SKY13396-397LF	SKY13396-397LF-EVB

Copyright © 2011-2015, 2017 Skyworks Solutions, Inc. All Rights Reserved.

Information in this document is provided in connection with Skyworks Solutions, Inc. ("Skyworks") products or services. These materials, including the information contained herein, are provided by Skyworks as a service to its customers and may be used for informational purposes only by the customer. Skyworks assumes no responsibility for errors or omissions in these materials or the information contained herein. Skyworks may change its documentation, products, services, specifications or product descriptions at any time, without notice. Skyworks makes no commitment to update the materials or information and shall have no responsibility whatsoever for conflicts, incompatibilities, or other difficulties arising from any future changes.

No license, whether express, implied, by estoppel or otherwise, is granted to any intellectual property rights by this document. Skyworks assumes no liability for any materials, products or information provided hereunder, including the sale, distribution, reproduction or use of Skyworks products, information or materials, except as may be provided in Skyworks Terms and Conditions of Sale.

THE MATERIALS, PRODUCTS AND INFORMATION ARE PROVIDED "AS IS" WITHOUT WARRANTY OF ANY KIND, WHETHER EXPRESS, IMPLIED, STATUTORY, OR OTHERWISE, INCLUDING FITNESS FOR A PARTICULAR PURPOSE OR USE, MERCHANTABILITY, PERFORMANCE, QUALITY OR NON-INFRINGEMENT OF ANY INTELLECTUAL PROPERTY RIGHT; ALL SUCH WARRANTIES ARE HEREBY EXPRESSLY DISCLAIMED. SKYWORKS DOES NOT WARRANT THE ACCURACY OR COMPLETENESS OF THE INFORMATION, TEXT, GRAPHICS OR OTHER ITEMS CONTAINED WITHIN THESE MATERIALS. SKYWORKS SHALL NOT BE LIABLE FOR ANY DAMAGES, INCLUDING BUT NOT LIMITED TO ANY SPECIAL, INDIRECT, INCIDENTAL, STATUTORY, OR CONSEQUENTIAL DAMAGES, INCLUDING WITHOUT LIMITATION, LOST REVENUES OR LOST PROFITS THAT MAY RESULT FROM THE USE OF THE MATERIALS OR INFORMATION, WHETHER OR NOT THE RECIPIENT OF MATERIALS HAS BEEN ADVISED OF THE POSSIBILITY OF SUCH DAMAGE.

Skyworks products are not intended for use in medical, lifesaving or life-sustaining applications, or other equipment in which the failure of the Skyworks products could lead to personal injury, death, physical or environmental damage. Skyworks customers using or selling Skyworks products for use in such applications do so at their own risk and agree to fully indemnify Skyworks for any damages resulting from such improper use or sale.

Customers are responsible for their products and applications using Skyworks products, which may deviate from published specifications as a result of design defects, errors, or operation of products outside of published parameters or design specifications. Customers should include design and operating safeguards to minimize these and other risks. Skyworks assumes no liability for applications assistance, customer product design, or damage to any equipment resulting from the use of Skyworks products outside of stated published specifications or parameters.

Skyworks and the Skyworks symbol are trademarks or registered trademarks of Skyworks Solutions, Inc., in the United States and other countries. Third-party brands and names are for identification purposes only, and are the property of their respective owners. Additional information, including relevant terms and conditions, posted at www.skyworksinc.com, are incorporated by reference.

Компания «Океан Электроники» предлагает заключение долгосрочных отношений при поставках импортных электронных компонентов на взаимовыгодных условиях!

Наши преимущества:

- Поставка оригинальных импортных электронных компонентов напрямую с производств Америки, Европы и Азии, а так же с крупнейших складов мира;
- Широкая линейка поставок активных и пассивных импортных электронных компонентов (более 30 млн. наименований);
- Поставка сложных, дефицитных, либо снятых с производства позиций;
- Оперативные сроки поставки под заказ (от 5 рабочих дней);
- Экспресс доставка в любую точку России;
- Помощь Конструкторского Отдела и консультации квалифицированных инженеров;
- Техническая поддержка проекта, помощь в подборе аналогов, поставка прототипов;
- Поставка электронных компонентов под контролем ВП;
- Система менеджмента качества сертифицирована по Международному стандарту ISO 9001;
- При необходимости вся продукция военного и аэрокосмического назначения проходит испытания и сертификацию в лаборатории (по согласованию с заказчиком);
- Поставка специализированных компонентов военного и аэрокосмического уровня качества (Xilinx, Altera, Analog Devices, Intersil, Interpoint, Microsemi, Actel, Aeroflex, Peregrine, VPT, Syfer, Eurofarad, Texas Instruments, MS Kennedy, Miteq, Cobham, E2V, MA-COM, Hittite, Mini-Circuits, General Dynamics и др.);

Компания «Океан Электроники» является официальным дистрибьютором и эксклюзивным представителем в России одного из крупнейших производителей разъемов военного и аэрокосмического назначения «JONHON», а так же официальным дистрибьютором и эксклюзивным представителем в России производителя высокотехнологичных и надежных решений для передачи СВЧ сигналов «FORSTAR».



JONHON

«JONHON» (основан в 1970 г.)

Разъемы специального, военного и аэрокосмического назначения:

(Применяются в военной, авиационной, аэрокосмической, морской, железнодорожной, горно- и нефтедобывающей отраслях промышленности)

«FORSTAR» (основан в 1998 г.)

ВЧ соединители, коаксиальные кабели, кабельные сборки и микроволновые компоненты:

(Применяются в телекоммуникациях гражданского и специального назначения, в средствах связи, РЛС, а так же военной, авиационной и аэрокосмической отраслях промышленности).



Телефон: 8 (812) 309-75-97 (многоканальный)

Факс: 8 (812) 320-03-32

Электронная почта: ocean@oceanchips.ru

Web: <http://oceanchips.ru/>

Адрес: 198099, г. Санкт-Петербург, ул. Калинина, д. 2, корп. 4, лит. А