

## Aluminum Capacitors Axial High Temperature, High Ripple Current



Fig. 1

| QUICK REFERENCE DATA                               |                          |
|--|--------------------------|
| DESCRIPTION  | VALUE                    |
| Nominal case sizes (Ø D x L in mm)                 | 10 x 30 to 21 x 38       |
| Rated capacitance range, C <sub>R</sub>            | 47 µF to 6800 µF         |
| Tolerance on C <sub>R</sub>                        | ± 20 %                   |
| Rated voltage range, U <sub>R</sub>                | 16 V to 100 V            |
| Category temperature range                         | - 40 °C to + 125 °C      |
| Endurance test at 150 °C                           | 1000 h                   |
| Endurance test at 125 °C                           | 4000 h                   |
| Useful life at 125 °C                              | 8000 h                   |
| Useful life at 85 °C, 1.4 x I <sub>R</sub> applied | 40 000 h                 |
| Shelf life at 0 V, 125 °C                          | 1000 h<br>(100 V: 500 h) |
| Shelf life at 0 V, 150 °C                          | ≤ 63 V: 500 h            |
| Based on sectional specification                   | IEC 60384-4/EN 130300    |
| Climatic category IEC 60068                        | 40/125/56                |

### FEATURES

- Extra long useful life: Up to 8000 h at 125 °C
- Extended temperature range: Usable up to 150 °C
- Lowest ESR levels providing very high ripple current capability
- Miniaturized, high CV-product per unit volume
- Polarized aluminum electrolytic capacitors, non-solid electrolyte
- Axial leads, cylindrical aluminum case, insulated with a blue sleeve
- Taped versions up to case Ø 15 mm x 30 mm available for automatic insertion
- Lead diameter Ø d = 1.0 mm, available on request
- Material categorization: For definitions of compliance please see [www.vishay.com/doc?99912](http://www.vishay.com/doc?99912)


**RoHS  
COMPLIANT**

### APPLICATIONS

- Automotive, industrial and telecommunication
- Smoothing, filtering, buffering
- Low mounting height applications, vibration and shock resistant
- SMPS and standard power supplies

### MARKING

The capacitors are marked (where possible) with the following information:

- Rated capacitance (in µF)
- Tolerance on rated capacitance, code letter in accordance with IEC 60062 (M for ± 20 %)
- Rated voltage (in V)
- Upper category temperature (125 °C)
- Date code in accordance with IEC 60062
- Code for factory of origin
- Name of manufacturer
- Negative terminal identification
- Series number (120)

| SELECTION CHART FOR C <sub>R</sub> , U <sub>R</sub> , AND RELEVANT NOMINAL CASE SIZE (Ø D x L in mm) |                    |           |           |           |           |
|--|--------------------|-----------|-----------|-----------|-----------|
| C <sub>R</sub><br>(µF)   | U <sub>R</sub> (V) |           |           |           |           |
|  | 16                 | 25        | 40        | 63        | 100       |
| 47   | -                  | -         | -         | -         | 10 x 30   |
| 68   | -                  | -         | -         | -         | 12.5 x 30 |
| 100  | -                  | -         | -         | 10 x 30   | 12.5 x 30 |
| 150  | -                  | -         | -         | 12.5 x 30 | 15 x 30   |
| 220  | -                  | -         | 10 x 30   | 12.5 x 30 | 18 x 30   |
| 330  | -                  | -         | 12.5 x 30 | 15 x 30   | 18 x 38   |
| 470  | -                  | 10 x 30   | 12.5 x 30 | 18 x 30   | 21 x 38   |
| 680  | 10 x 30            | 12.5 x 30 | 15 x 30   | 18 x 38   | -         |
| 1000   | 12.5 x 30          | 12.5 x 30 | 18 x 30   | 21 x 38   | -         |
| 1500   | 12.5 x 30          | 15 x 30   | 18 x 38   | -         | -         |
| 2200   | 15 x 30            | 18 x 30   | 21 x 38   | -         | -         |
| 3300   | 18 x 30            | 18 x 38   | -         | -         | -         |
| 4700   | 18 x 38            | 21 x 38   | -         | -         | -         |
| 6800   | 21 x 38            | -         | -         | -         | -         |

**DIMENSIONS in millimeters AND AVAILABLE FORMS**


**Form BR:** Taped on reel  
Case  $\text{Ø D} \times \text{L} = 6.5 \text{ mm} \times 18 \text{ mm}$  to  $15 \text{ mm} \times 30 \text{ mm}$

Fig. 2 - Form BR



**Form AA:** Axial in box  
Case  $\text{Ø D} \times \text{L} = 10 \text{ mm} \times 30 \text{ mm}$  to  $21 \text{ mm} \times 38 \text{ mm}$

Fig. 3 - Form AA

Table 1

| <b>AXIAL; DIMENSIONS in millimeters, MASS, AND PACKAGING QUANTITIES</b> |                       |            |                            |                   |                   |                |                      |         |
|---|-----------------------|------------|----------------------------|-------------------|-------------------|----------------|----------------------|---------|
| NOMINAL CASE SIZE<br>$\text{Ø D} \times \text{L}$<br>(mm)               | AXIAL: FORM AA AND BR |            |                            |                   |                   | MASS<br>(g)    | PACKAGING QUANTITIES |         |
|   | $\text{Ø d}^{(1)}$    | I          | $\text{Ø D}_{\text{max.}}$ | $L_{\text{max.}}$ | $F_{\text{min.}}$ |                | FORM AA              | FORM BR |
| 10 x 30   | 0.8                   | $55 \pm 1$ | 10.5                       | 30.5              | 35                | $\approx 4.8$  | 340                  | 500     |
| 12.5 x 30   | 0.8                   | $55 \pm 1$ | 13.0                       | 30.5              | 35                | $\approx 7.4$  | 260                  | 400     |
| 15 x 30   | 0.8                   | $55 \pm 1$ | 15.5                       | 30.5              | 35                | $\approx 11.7$ | 200                  | 250     |
| 18 x 30   | 0.8                   | $55 \pm 1$ | 18.5                       | 30.5              | 35                | $\approx 12.9$ | 120                  | -       |
| 18 x 38   | 0.8                   | $34 \pm 1$ | 18.5                       | 39.5              | 44                | $\approx 19.0$ | 125                  | -       |
| 21 x 38   | 0.8                   | $34 \pm 1$ | 21.5                       | 39.5              | 44                | $\approx 24.0$ | 100                  | -       |

**Notes**

- (1) Lead diameter  $\text{Ø d} = 1.0 \text{ mm}$ , available on request.
- For detailed tape dimensions, please see [www.vishay.com/doc?28361](http://www.vishay.com/doc?28361).



Mounting holes

Case  $\text{Ø D} \times \text{L} = 15 \text{ mm} \times 30 \text{ mm}$  to  $21 \text{ mm} \times 38 \text{ mm}$   
Especially for applications with severe shocks and vibrations

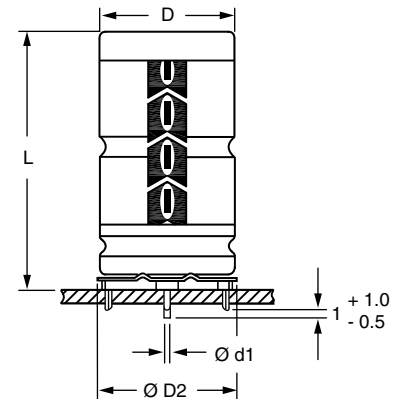
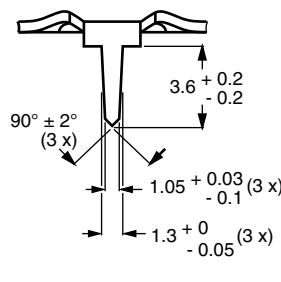

 Fig. 4 - Mounting hole diagram and outline; **form MR:** With mounting ring and pins

Table 2

| <b>MOUNTING RING; DIMENSIONS in millimeters, MASS, AND PACKAGING QUANTITIES</b> |           |                        |               |                            |                             |                |                   |                |                      |
|---|-----------|------------------------|---------------|----------------------------|-----------------------------|----------------|-------------------|----------------|----------------------|
| NOMINAL CASE SIZE<br>$\text{Ø D} \times \text{L}$                               | CASE CODE | MOUNTING RING: FORM MR |               |                            |                             |                |                   | MASS<br>(g)    | PACKAGING QUANTITIES |
|   |           | $\text{Ø d1}$          | $\text{Ø d2}$ | $\text{Ø D}_{\text{max.}}$ | $\text{Ø D2}_{\text{max.}}$ | D3             | $L_{\text{max.}}$ |                |                      |
| 15 x 30   | 02        | 0.8                    | $1.0 + 0.4$   | 15.5                       | 17.5                        | $16.5 \pm 0.2$ | 33                | $\approx 8.6$  | 200                  |
| 18 x 30   | 03        | 0.8                    | $1.0 + 0.4$   | 18.5                       | 19.5                        | $18.5 \pm 0.2$ | 33                | $\approx 11.5$ | 240                  |
| 18 x 38   | 04        | 0.8                    | $1.0 + 0.4$   | 18.5                       | 19.5                        | $18.5 \pm 0.2$ | 42                | $\approx 14.0$ | 100                  |
| 21 x 38   | 05        | 0.8                    | $1.0 + 0.4$   | 21.5                       | 22.5                        | $21.5 \pm 0.2$ | 42                | $\approx 19.2$ | 100                  |



| ELECTRICAL DATA |  |
|-----------------|--|
| SYMBOL          | DESCRIPTION  |
| C <sub>R</sub>  | Rated capacitance at 100 Hz, tolerance ± 20 %  |
| I <sub>R</sub>  | Rated RMS ripple current at 10 kHz, 125 °C   |
| I <sub>L1</sub> | Max. leakage current after 1 min at U <sub>R</sub>   |
| I <sub>L5</sub> | Max. leakage current after 5 min at U <sub>R</sub>   |
| ESR             | Equivalent series resistance at 100 Hz (calculated from tan δ <sub>max.</sub> and C <sub>R</sub> ) |
| Z               | Max. impedance at 10 kHz   |

**ORDERING EXAMPLE**

Electrolytic capacitor 120 series

1000 µF/16 V; ± 20 %

Nominal case size: Ø 12.5 mm x 30 mm; form BR

Ordering code: MAL212025102E3

Former 12NC: 2222 120 25102

**Note**

- Unless otherwise specified, all electrical values in Table 3 apply at T<sub>amb</sub> = 20 °C, P = 86 kPa to 106 kPa, RH = 45 % to 75 %.

**Table 3**

| ELECTRICAL DATA AND ORDERING INFORMATION |                                  |   |  |                                  |                                  |                               |                               |                               |                               |                             |                            |                             |                             |
|--|----------------------------------|---|--|----------------------------------|----------------------------------|-------------------------------|-------------------------------|-------------------------------|-------------------------------|-----------------------------|----------------------------|-----------------------------|-----------------------------|
| U <sub>R</sub><br>(V)                    | C <sub>R</sub><br>100 Hz<br>(µF) | NOMINAL<br>CASE SIZE<br>Ø D x L<br>(mm) | I <sub>R</sub><br>10 kHz<br>125 °C<br>(mA) | I <sub>L1</sub><br>1 min<br>(µA) | I <sub>L5</sub><br>5 min<br>(µA) | TYP.<br>ESR<br>100 Hz<br>(mΩ) | MAX.<br>ESR<br>100 Hz<br>(mΩ) | TYP.<br>ESR<br>10 kHz<br>(mΩ) | MAX.<br>ESR<br>10 kHz<br>(mΩ) | Z<br>MAX.<br>10 kHz<br>(mΩ) | ORDERING CODE MAL2120..... |                             |                             |
|  |                                  |   |  |                                  |                                  |                               |                               |                               |                               |                             | IN BOX<br>FORM AA          | TAPED<br>ON REEL<br>FORM BR | MOUNTING<br>RING<br>FORM MR |
| 16                                       | 680                              | 10 x 30                                 | 2100                                       | 171                              | 84                               | 106                           | 177                           | 44                            | 74                            | 78                          | 15681E3                    | 25681E3                     | -                           |
|  | 1000                             | 12.5 x 30                               | 2550                                       | 232                              | 104                              | 77                            | 128                           | 35                            | 58                            | 61                          | 15102E3                    | 25102E3                     | -                           |
|  | 1500                             | 12.5 x 30                               | 2650                                       | 328                              | 136                              | 60                            | 100                           | 32                            | 53                            | 53                          | 15152E3                    | 25152E3                     | -                           |
|  | 2200                             | 15 x 30                                 | 2940                                       | 462                              | 181                              | 48                            | 79                            | 28                            | 46                            | 46                          | 15222E3                    | 25222E3                     | 45222E3                     |
|  | 3300                             | 18 x 30                                 | 3430                                       | 674                              | 251                              | 41                            | 68                            | 26                            | 43                            | 43                          | 15332E3                    | -                           | 45332E3                     |
|  | 4700                             | 18 x 38                                 | 4350                                       | 942                              | 341                              | 27                            | 45                            | 18                            | 29                            | 29                          | 15472E3                    | -                           | 45472E3                     |
|  | 6800                             | 21 x 38                                 | 4590                                       | 1346                             | 475                              | 26                            | 43                            | 18                            | 29                            | 29                          | 15682E3                    | -                           | 45682E3                     |
| 25                                       | 470                              | 10 x 30                                 | 2100                                       | 181                              | 87                               | 112                           | 187                           | 45                            | 74                            | 84                          | 16471E3                    | 26471E3                     | -                           |
|  | 680                              | 12.5 x 30                               | 2550                                       | 244                              | 108                              | 81                            | 136                           | 35                            | 59                            | 64                          | 16681E3                    | 26681E3                     | -                           |
|  | 1000                             | 12.5 x 30                               | 2600                                       | 340                              | 140                              | 64                            | 107                           | 32                            | 53                            | 55                          | 16102E3                    | 26102E3                     | -                           |
|  | 1500                             | 15 x 30                                 | 2890                                       | 490                              | 190                              | 49                            | 82                            | 28                            | 46                            | 46                          | 16152E3                    | 26152E3                     | 46152E3                     |
|  | 2200                             | 18 x 30                                 | 3310                                       | 700                              | 260                              | 43                            | 71                            | 27                            | 44                            | 44                          | 16222E3                    | -                           | 46222E3                     |
|  | 3300                             | 18 x 38                                 | 4350                                       | 1030                             | 370                              | 28                            | 47                            | 18                            | 29                            | 29                          | 16332E3                    | -                           | 46332E3                     |
|  | 4700                             | 21 x 38                                 | 4470                                       | 1450                             | 510                              | 27                            | 44                            | 18                            | 29                            | 29                          | 16472E3                    | -                           | 46472E3                     |
| 40                                       | 220                              | 10 x 30                                 | 1990                                       | 146                              | 75                               | 192                           | 320                           | 52                            | 87                            | 124                         | 17221E3                    | 27221E3                     | -                           |
|  | 330                              | 12.5 x 30                               | 2430                                       | 198                              | 93                               | 130                           | 216                           | 37                            | 62                            | 83                          | 17331E3                    | 27331E3                     | -                           |
|  | 470                              | 12.5 x 30                               | 2550                                       | 266                              | 115                              | 101                           | 169                           | 35                            | 58                            | 70                          | 17471E3                    | 27471E3                     | -                           |
|  | 680                              | 15 x 30                                 | 2840                                       | 366                              | 149                              | 75                            | 125                           | 30                            | 50                            | 55                          | 17681E3                    | 27681E3                     | 47681E3                     |
|  | 1000                             | 18 x 30                                 | 3150                                       | 520                              | 200                              | 59                            | 99                            | 28                            | 47                            | 49                          | 17102E3                    | -                           | 47102E3                     |
|  | 1500                             | 18 x 38                                 | 4130                                       | 760                              | 280                              | 39                            | 65                            | 19                            | 31                            | 32                          | 17152E3                    | -                           | 47152E3                     |
|  | 2200                             | 21 x 38                                 | 4170                                       | 1096                             | 392                              | 34                            | 56                            | 19                            | 31                            | 31                          | 17222E3                    | -                           | 47222E3                     |
| 63                                       | 100                              | 10 x 30                                 | 1560                                       | 116                              | 65                               | 297                           | 495                           | 92                            | 154                           | 249                         | 18101E3                    | 28101E3                     | -                           |
|  | 150                              | 12.5 x 30                               | 2050                                       | 153                              | 78                               | 195                           | 325                           | 61                            | 102                           | 162                         | 18151E3                    | 28151E3                     | -                           |
|  | 220                              | 12.5 x 30                               | 2150                                       | 206                              | 95                               | 149                           | 249                           | 55                            | 92                            | 126                         | 18221E3                    | 28221E3                     | -                           |
|  | 330                              | 15 x 30                                 | 2510                                       | 289                              | 123                              | 105                           | 175                           | 44                            | 73                            | 91                          | 18331E3                    | 28331E3                     | 48331E3                     |
|  | 470                              | 18 x 30                                 | 2860                                       | 395                              | 158                              | 81                            | 135                           | 38                            | 64                            | 74                          | 18471E3                    | -                           | 48471E3                     |
|  | 680                              | 18 x 38                                 | 3720                                       | 554                              | 211                              | 55                            | 92                            | 26                            | 43                            | 49                          | 18681E3                    | -                           | 48681E3                     |
|  | 1000                             | 21 x 38                                 | 3780                                       | 796                              | 292                              | 44                            | 74                            | 25                            | 41                            | 43                          | 18102E3                    | -                           | 48102E3                     |
| 100                                      | 47                               | 10 x 30                                 | 760  | 96                               | 59                               | 760                           | 1269                          | 349                           | 581                           | 720                         | 19479E3                    | 29479E3                     | -                           |
|  | 68                               | 12.5 x 30                               | 1030                                       | 122                              | 67                               | 531                           | 885                           | 246                           | 410                           | 503                         | 19689E3                    | 29689E3                     | -                           |
|  | 100                              | 12.5 x 30                               | 1140                                       | 160                              | 80                               | 389                           | 648                           | 196                           | 327                           | 381                         | 19101E3                    | 29101E3                     | -                           |
|  | 150                              | 15 x 30                                 | 1480                                       | 220                              | 100                              | 266                           | 443                           | 137                           | 229                           | 262                         | 19151E3                    | 29151E3                     | 49151E3                     |
|  | 220                              | 18 x 30                                 | 1960                                       | 304                              | 128                              | 181                           | 302                           | 95                            | 158                           | 179                         | 19221E3                    | -                           | 49221E3                     |
|  | 330                              | 18 x 38                                 | 2550                                       | 436                              | 172                              | 120                           | 200                           | 62                            | 104                           | 117                         | 19331E3                    | -                           | 49331E3                     |
|  | 470                              | 21 x 38                                 | 2800                                       | 604                              | 228                              | 92                            | 154                           | 52                            | 86                            | 94                          | 19471E3                    | -                           | 49471E3                     |



| ADDITIONAL ELECTRICAL DATA         |                                   |   |               |
|------------------------------------|-----------------------------------|---|---------------|
| PARAMETER                          | CONDITIONS                        | VALUE   |               |
|                                    |                                   | AXIAL   | MOUNTING RING |
| <b>Voltage</b>                     |                                   |   |               |
| Surge voltage                      |                                   | $U_s \leq 1.15 \times U_R$                          |               |
| Reverse voltage                    |                                   | $U_{rev} \leq 1 \text{ V}$                          |               |
| <b>Current</b>                     |                                   |   |               |
| Leakage current                    | After 1 min at $U_R$              | $I_{L1} \leq 0.012 C_R \times U_R + 40 \mu\text{A}$ |               |
|                                    | After 5 min at $U_R$              | $I_{L5} \leq 0.004 C_R \times U_R + 40 \mu\text{A}$ |               |
| <b>Inductance</b>                  |                                   |   |               |
| Equivalent series inductance (ESL) | Case $\varnothing D \times L$ mm: |   |               |
|                                    | 10 x 30                           | Typ. 38 nH  |               |
|                                    | 12.5 x 30                         | Typ. 46 nH  |               |
|                                    | 15 x 30                           | Typ. 48 nH  | Typ. 39 nH    |
|                                    | 18 x 30                           | Typ. 50 nH  | Typ. 39 nH    |
|                                    | 18 x 38                           | Typ. 54 nH  | Typ. 39 nH    |
|                                    | 21 x 38                           | Typ. 59 nH  | Typ. 39 nH    |

**CAPACITANCE (C)**

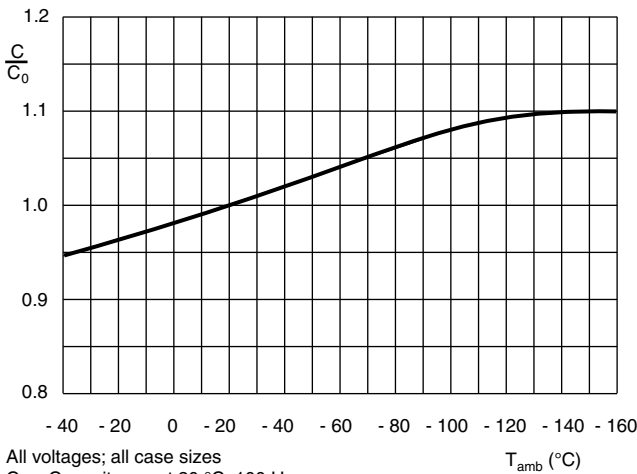


Fig. 5 - Typical multiplier of capacitance as a function of ambient temperature

**EQUIVALENT SERIES RESISTANCE (ESR)**

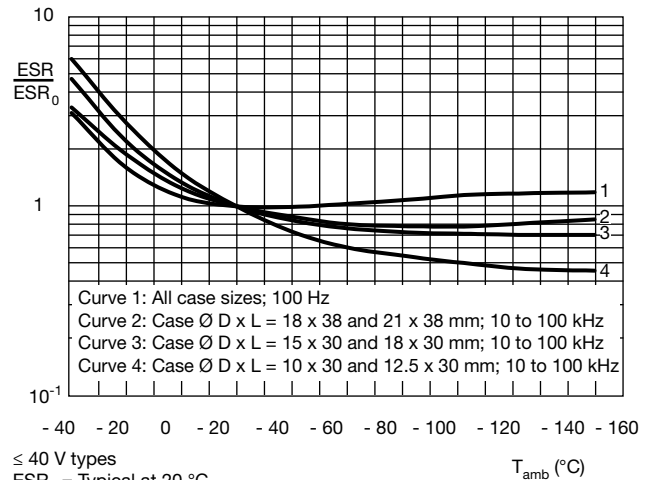


Fig. 6 - Typical multiplier of ESR as a function of ambient temperature at different frequencies

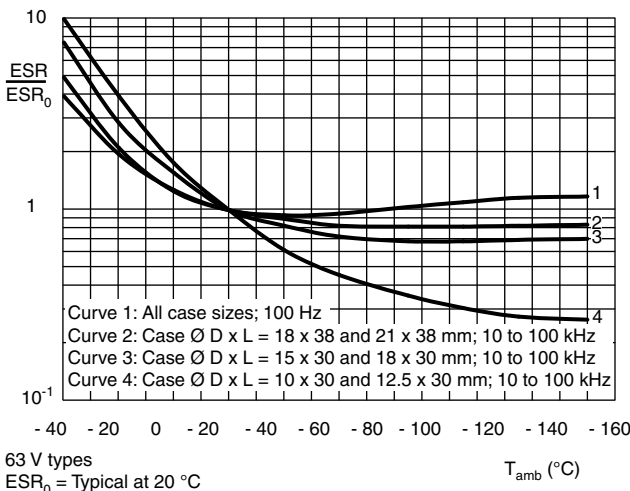


Fig. 7 - Typical multiplier of ESR as a function of ambient temperature at different frequencies

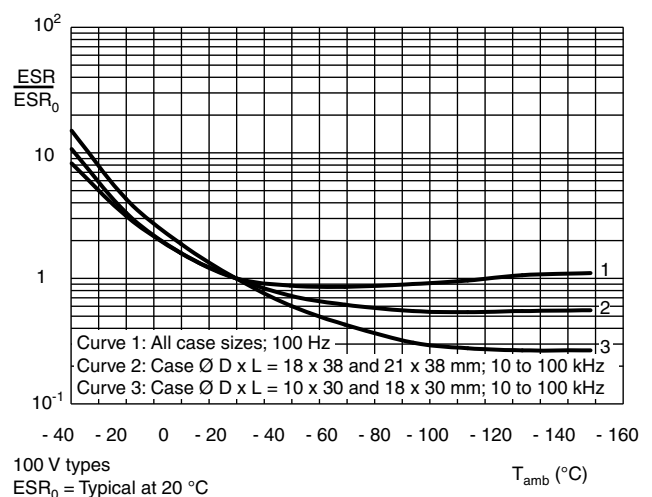


Fig. 8 - Typical multiplier of ESR as a function of ambient temperature at different frequencies

**RIPPLE CURRENT AND USEFUL LIFE**

JW64



$I_A$  = Actual ripple current at 10 kHz  
 $I_R$  = Rated ripple current at 10 kHz, 125 °C  
 (1) Useful life at 125 °C and  $I_R$  applied: 8000 h

Fig. 9 - Multiplier of useful life as a function of ambient temperature and ripple current load

**Table 4**

| <b>MULTIPLIER OF RIPPLE CURRENT (<math>I_R</math>) AS A FUNCTION OF FREQUENCY</b> |   |   |   |   |
|---|---|---|---|---|
| <b>FREQUENCY (Hz)</b>   | <b><math>I_R</math> MULTIPLIER</b>  |   |   |   |
|   | <b><math>U_R = 16\text{ V TO }40\text{ V}</math><br/>CASE SIZES<br/>(10 x 30 to 15 x 30) mm</b> | <b><math>U_R = 16\text{ V TO }40\text{ V}</math><br/>CASE SIZES<br/>(18 x 30 to 21 x 38) mm</b> | <b><math>U_R = 63\text{ V AND }100\text{ V}</math><br/>CASE SIZES<br/>(10 x 30 to 15 x 30) mm</b> | <b><math>U_R = 63\text{ V AND }100\text{ V}</math><br/>CASE SIZES<br/>(18 x 30 to 21 x 38) mm</b> |
| 50  | 0.37  | 0.54  | 0.23  | 0.44  |
| 100   | 0.48  | 0.63  | 0.32  | 0.56  |
| 300   | 0.69  | 0.75  | 0.53  | 0.76  |
| 1000  | 0.86  | 0.81  | 0.77  | 0.88  |
| 3000  | 0.96  | 0.87  | 0.93  | 0.94  |
| ≥ 10 000  | 1.00  | 1.00  | 1.00  | 1.00  |



Table 5

| TEST PROCEDURES AND REQUIREMENTS               |   |   |  |
|--|---|---|--|
| TEST   |   | PROCEDURE<br>(quick reference)  | REQUIREMENTS   |
| NAME OF TEST                                   | REFERENCE                                   |   |  |
| Endurance                                      | IEC 60384-4/<br>EN 130300<br>subclause 4.13 | $T_{amb} = 125\text{ }^{\circ}\text{C}$ ; $U_R$ applied;<br>4000 h<br><br>$T_{amb} = 150\text{ }^{\circ}\text{C}$ ; $U_R$ applied;<br>1000 h  | $\Delta C/C: \pm 15\%$<br>$\tan \delta \leq 1.3 \times \text{spec. limit}$<br>$Z \leq 2 \times \text{spec. limit}$<br>$I_{L5} \leq \text{spec. limit}$   |
| Useful life                                    | CECC 30301<br>subclause 1.8.1               | $T_{amb} = 125\text{ }^{\circ}\text{C}$ ; $U_R$ and $I_R$ applied;<br>8000 h  | $\Delta C/C: \pm 45\%$<br>$\tan \delta \leq 3 \times \text{spec. limit}$<br>$Z \leq 3 \times \text{spec. limit}$<br>$I_{L5} \leq \text{spec. limit}$<br>no short or open circuit<br>total failure percentage: $\leq 1\%$ |
| Shelf life<br>(storage at high<br>temperature) | IEC 60384-4/<br>EN 130300<br>subclause 4.17 | $T_{amb} = 125\text{ }^{\circ}\text{C}$ ; no voltage applied;<br>1000 h (100 V: 500 h)<br><br>$T_{amb} = 150\text{ }^{\circ}\text{C}$ ; no voltage applied;<br>500 h for voltages: $\leq 63\text{ V}$<br><br>After test: $U_R$ to be applied for 30 min,<br>24 h to 48 h before measurement | $\Delta C/C, \tan \delta, Z$ :<br>For requirements<br>see "Endurance test" above<br>$I_{L5} \leq 2 \times \text{spec. limit}$  |
| Reverse voltage                                | IEC 60384-4/<br>EN 130300<br>subclause 4.15 | $T_{amb} = 125\text{ }^{\circ}\text{C}$ :<br>125 h at $U = -1\text{ V}$<br>Followed by 125 h at $U_R$   | $\Delta C/C: \pm 20\%$<br>$\tan \delta \leq \text{spec. limit}$<br>$I_{L5} \leq \text{spec. limit}$  |



## Disclaimer

ALL PRODUCT, PRODUCT SPECIFICATIONS AND DATA ARE SUBJECT TO CHANGE WITHOUT NOTICE TO IMPROVE RELIABILITY, FUNCTION OR DESIGN OR OTHERWISE.

Vishay Intertechnology, Inc., its affiliates, agents, and employees, and all persons acting on its or their behalf (collectively, "Vishay"), disclaim any and all liability for any errors, inaccuracies or incompleteness contained in any datasheet or in any other disclosure relating to any product.

Vishay makes no warranty, representation or guarantee regarding the suitability of the products for any particular purpose or the continuing production of any product. To the maximum extent permitted by applicable law, Vishay disclaims (i) any and all liability arising out of the application or use of any product, (ii) any and all liability, including without limitation special, consequential or incidental damages, and (iii) any and all implied warranties, including warranties of fitness for particular purpose, non-infringement and merchantability.

Statements regarding the suitability of products for certain types of applications are based on Vishay's knowledge of typical requirements that are often placed on Vishay products in generic applications. Such statements are not binding statements about the suitability of products for a particular application. It is the customer's responsibility to validate that a particular product with the properties described in the product specification is suitable for use in a particular application. Parameters provided in datasheets and/or specifications may vary in different applications and performance may vary over time. All operating parameters, including typical parameters, must be validated for each customer application by the customer's technical experts. Product specifications do not expand or otherwise modify Vishay's terms and conditions of purchase, including but not limited to the warranty expressed therein.

Except as expressly indicated in writing, Vishay products are not designed for use in medical, life-saving, or life-sustaining applications or for any other application in which the failure of the Vishay product could result in personal injury or death. Customers using or selling Vishay products not expressly indicated for use in such applications do so at their own risk. Please contact authorized Vishay personnel to obtain written terms and conditions regarding products designed for such applications.

No license, express or implied, by estoppel or otherwise, to any intellectual property rights is granted by this document or by any conduct of Vishay. Product names and markings noted herein may be trademarks of their respective owners.

## Material Category Policy

**Vishay Intertechnology, Inc. hereby certifies that all its products that are identified as RoHS-Compliant fulfill the definitions and restrictions defined under Directive 2011/65/EU of The European Parliament and of the Council of June 8, 2011 on the restriction of the use of certain hazardous substances in electrical and electronic equipment (EEE) - recast, unless otherwise specified as non-compliant.**

**Please note that some Vishay documentation may still make reference to RoHS Directive 2002/95/EC. We confirm that all the products identified as being compliant to Directive 2002/95/EC conform to Directive 2011/65/EU.**

**Vishay Intertechnology, Inc. hereby certifies that all its products that are identified as Halogen-Free follow Halogen-Free requirements as per JEDEC JS709A standards. Please note that some Vishay documentation may still make reference to the IEC 61249-2-21 definition. We confirm that all the products identified as being compliant to IEC 61249-2-21 conform to JEDEC JS709A standards.**

Компания «Океан Электроники» предлагает заключение долгосрочных отношений при поставках импортных электронных компонентов на взаимовыгодных условиях!

Наши преимущества:

- Поставка оригинальных импортных электронных компонентов напрямую с производств Америки, Европы и Азии, а так же с крупнейших складов мира;
- Широкая линейка поставок активных и пассивных импортных электронных компонентов (более 30 млн. наименований);
- Поставка сложных, дефицитных, либо снятых с производства позиций;
- Оперативные сроки поставки под заказ (от 5 рабочих дней);
- Экспресс доставка в любую точку России;
- Помощь Конструкторского Отдела и консультации квалифицированных инженеров;
- Техническая поддержка проекта, помощь в подборе аналогов, поставка прототипов;
- Поставка электронных компонентов под контролем ВП;
- Система менеджмента качества сертифицирована по Международному стандарту ISO 9001;
- При необходимости вся продукция военного и аэрокосмического назначения проходит испытания и сертификацию в лаборатории (по согласованию с заказчиком);
- Поставка специализированных компонентов военного и аэрокосмического уровня качества (Xilinx, Altera, Analog Devices, Intersil, Interpoint, Microsemi, Actel, Aeroflex, Peregrine, VPT, Syfer, Eurofarad, Texas Instruments, MS Kennedy, Miteq, Cobham, E2V, MA-COM, Hittite, Mini-Circuits, General Dynamics и др.);

Компания «Океан Электроники» является официальным дистрибьютором и эксклюзивным представителем в России одного из крупнейших производителей разъемов военного и аэрокосмического назначения «JONHON», а так же официальным дистрибьютором и эксклюзивным представителем в России производителя высокотехнологичных и надежных решений для передачи СВЧ сигналов «FORSTAR».



## JONHON

«JONHON» (основан в 1970 г.)

Разъемы специального, военного и аэрокосмического назначения:

(Применяются в военной, авиационной, аэрокосмической, морской, железнодорожной, горно- и нефтедобывающей отраслях промышленности)

«FORSTAR» (основан в 1998 г.)

ВЧ соединители, коаксиальные кабели, кабельные сборки и микроволновые компоненты:

(Применяются в телекоммуникациях гражданского и специального назначения, в средствах связи, РЛС, а так же военной, авиационной и аэрокосмической отраслях промышленности).



Телефон: 8 (812) 309-75-97 (многоканальный)

Факс: 8 (812) 320-03-32

Электронная почта: [ocean@oceanchips.ru](mailto:ocean@oceanchips.ru)

Web: <http://oceanchips.ru/>

Адрес: 198099, г. Санкт-Петербург, ул. Калинина, д. 2, корп. 4, лит. А