

Resistance thermometer measuring transducer - MINI MCR-RTD-UI-NC - 2902849

Please be informed that the data shown in this PDF Document is generated from our Online Catalog. Please find the complete data in the user's documentation. Our General Terms of Use for Downloads are valid (<http://download.phoenixcontact.com>)



Configurable temperature transducer for the connection of 2, 3, and 4-conductor resistance thermometers and resistance-type sensors. Can be configured via DIP switches or, with extended functionality, using the software. Screw connection, standard configuration.

Product description

The configurable temperature transducer with 3-way isolation is suitable for the connection of resistance thermometers and remote resistance-type sensors with 2, 3, and 4-conductor connection technology.

The measured values are converted into a linear current or voltage signal.

The device can either be configured via DIP switches or, with extended functionality, via the S port using the software (FDT/DTM). The measuring transducer supports fault monitoring.



Key commercial data

Packing unit	1 PCE
GTIN	4 046356 689205
Custom tariff number	85437090
Country of origin	GERMANY

Technical data

Note:

Utilization restriction	EMC: class A product, see manufacturer's declaration in the download area
-------------------------	---------------------------------------------------------------------------

Dimensions

Width	6.2 mm
Height	93.1 mm
Depth	102.5 mm

Resistance thermometer measuring transducer - MINI MCR-RTD-UI-NC - 2902849

Technical data

Ambient conditions

Ambient temperature (operation)	-20 °C ... 65 °C
Ambient temperature (storage/transport)	-40 °C ... 85 °C
Degree of protection	IP20

Input data

Configurable/programmable	Yes
Sensor types (RTD) that can be used	Pt, Ni, Cu sensors
Linear resistance measuring range	0 Ω ... 4000 Ω (Minimum measuring span: 10% of the selected measuring range)
Sensor input current	approx. 200 μA
Temperature measuring range	-200 °C ... 850 °C (Range depending on the sensor type)
Connection method	2, 3, 4-wire

Output data

Configurable/programmable	Yes
Voltage output signal	0 V ... 10 V
	10 V ... 0 V
	0 V ... 5 V
	1 V ... 5 V
Current output signal	0 mA ... 20 mA
	4 mA ... 20 mA
	20 mA ... 0 mA
	20 mA ... 4 mA
Max. output voltage	approx. 12.3 V
Max. output current	24.6 mA
Load/output load voltage output	10 kΩ
Load/output load current output	500 Ω (at 20 mA)

Power supply

Supply voltage range	9.6 V DC ... 30 V DC (The T connector (ME 6,2 TBUS-2 1,5/5-ST-3,81 GN, Order No. 2869728) can be used to bridge the supply voltage. It can be snapped onto a 35 mm DIN rail according to EN 60715))
Typical current consumption	< 27 mA (at 24 V DC)
Power consumption	≤ 700 mW (at I _{OUT} = 20 mA, 9.6 V DC, load 500 Ω)

Connection data

Connection method	Screw connection
Conductor cross section solid min.	0.2 mm ²
Conductor cross section solid max.	2.5 mm ²

Resistance thermometer measuring transducer - MINI MCR-RTD-UI-NC - 2902849

Technical data

Connection data

Conductor cross section stranded min.	0.2 mm ²
Conductor cross section stranded max.	2.5 mm ²
Conductor cross section AWG/kcmil min.	26
Conductor cross section AWG/kcmil max	12
Stripping length	12 mm
Screw thread	M3

General

Maximum temperature coefficient	0.01 %/K
Status display	LED red
Protective circuit	Transient protection
Electrical isolation	Basic insulation according to EN 61010
Surge voltage category	II
Pollution degree	2
Rated insulation voltage	50 V AC/DC
Test voltage, input/output/supply	1.5 kV (50 Hz, 1 min.)
Electromagnetic compatibility	Conformance with EMC Directive 2004/108/EC
Noise emission	EN 61000-6-4
Noise immunity	EN 61000-6-2 When being exposed to interference, there may be minimal deviations.
Color	green
Housing material	PBT
Mounting position	Any
Assembly instructions	The T connector can be used to bridge the supply voltage. It can be snapped onto a 35 mm DIN rail according to EN 60715.
Conformance	CE-compliant
ATEX	# II 3 G Ex nA IIC T4 Gc X
UL, USA / Canada	508 listed
	Class I, Div. 2, Groups A, B, C, D T5 applied for
GL	GL applied for

EMC data

Name	Electromagnetic RF field
Standards/regulations	EN 61000-4-3
Typical deviation from the measuring range final value	0.04 %
Name	Fast transients (burst)
Standards/regulations	EN 61000-4-4
Typical deviation from the measuring range final value	0.1 %

Resistance thermometer measuring transducer - MINI MCR-RTD-UI-NC - 2902849

Technical data

EMC data

Name	Conducted interferences
Standards/regulations	EN 61000-4-6
Typical deviation from the measuring range final value	0.02 %

Classifications

ETIM

ETIM 3.0	EC001446
ETIM 4.0	EC001446
ETIM 5.0	EC001446

UNSPSC

UNSPSC 11	39121008
UNSPSC 12.01	39121008
UNSPSC 13.2	39121008
UNSPSC 6.01	30211506
UNSPSC 7.0901	39121008

eCl@ss

eCl@ss 4.0	27200206
eCl@ss 4.1	27200206
eCl@ss 5.0	27200206
eCl@ss 5.1	27200206
eCl@ss 6.0	27200206
eCl@ss 7.0	27200206
eCl@ss 8.0	27200206

Approvals

Approvals

Approvals

UL Listed / cUL Listed / cULus Listed

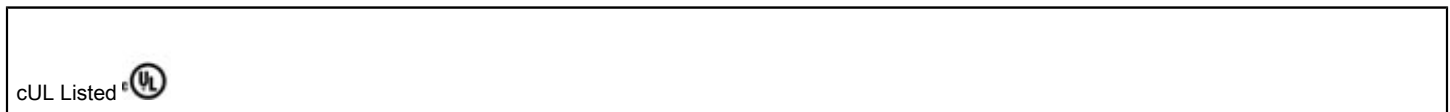
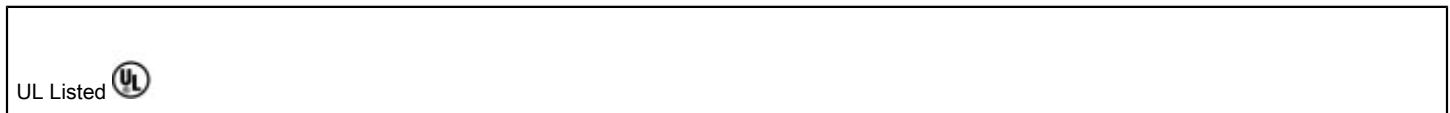
Ex Approvals

Resistance thermometer measuring transducer - MINI MCR-RTD-UI-NC - 2902849

Approvals

Approvals submitted

Approval details



Accessories

Accessories

Cable/conductor

Programming adapter - IFS-USB-PROG-ADAPTER - 2811271



Programming adapter with USB interface, for programming with software.

Power terminal block - MINI MCR-SL-PTB-FM - 2902958



The MINI MCR-SL-PTB-FM(-SP) power terminal block is used to supply the supply voltage to the T-connector. The FM power terminal block offers the additional function of monitoring in combination with the fault monitoring module. Screw connection.

Resistance thermometer measuring transducer - MINI MCR-RTD-UI-NC - 2902849

Accessories

Power terminal block - MINI MCR-SL-PTB-FM-SP - 2902959



The MINI MCR-SL-PTB-FM(-SP) power terminal block is used to supply the supply voltage to the T-connector. The FM power terminal block offers the additional function of monitoring in combination with the fault monitoring module. Spring-cage connection.

Monitoring module - MINI MCR-SL-FM-RC-NC - 2902961



The fault monitoring module is used to evaluate and report group errors from the fault monitoring system and to monitor the supply voltages. The error is reported via an N/O contact. Screw connection, standard configuration.

Monitoring module - MINI MCR-SL-FM-RC-SP-NC - 2902962



The fault monitoring module is used to evaluate and report group errors from the fault monitoring system and to monitor the supply voltages. The error is reported via an N/O contact. Spring-cage connection, standard configuration.

Electronic housing - ME 6,2 TBUS-2 1,5/5-ST-3,81 GN - 2869728



DIN rail connector for DIN rail mounting. Universal for T-BUS housing. Gold-plated contacts, 5-pos.

Power supply unit - MINI-SYS-PS-100-240AC/24DC/1.5 - 2866983



DIN rail power supply unit, primary-switched mode, slim design, output: 24 V DC / 1.5 A

Resistance thermometer measuring transducer - MINI MCR-RTD-UI-NC - 2902849

Accessories

System adapter - MINI MCR-SL-V8-FLK 16-A - 2811268



Eight MINI analog signal converters with screw connection method can be connected to a control system using a system adapter and system cabling with a minimum of wiring and very low error risk.

Multiplexer - MINI MCR-SL-MUX-V8-FLK 16 - 2811815



MINI analog multiplexer, generates one analog output from 8 analog input signals, for MINI analog module with screw connection.

Transparent cover - MINI MCR DKL - 2308111



Fold up transparent cover for MINI MCR modules with additional labeling option using insert strips and flat Zack marker strip 6.2 mm

Marking label - MINI MCR-DKL-LABEL - 2810272

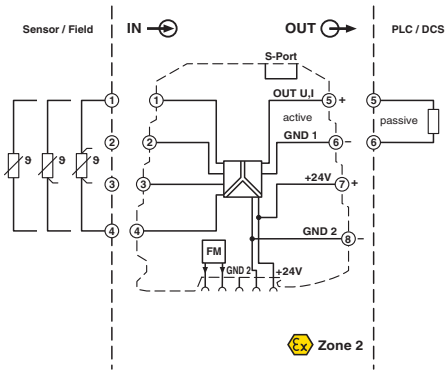


Label for extended marking of MINI MCR modules in connection with the MINI MCR-DKL

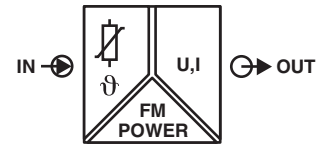
Drawings

Resistance thermometer measuring transducer - MINI MCR-RTD-UI-NC - 2902849

Block diagram



Pictogram



Компания «Океан Электроники» предлагает заключение долгосрочных отношений при поставках импортных электронных компонентов на взаимовыгодных условиях!

Наши преимущества:

- Поставка оригинальных импортных электронных компонентов напрямую с производств Америки, Европы и Азии, а так же с крупнейших складов мира;
- Широкая линейка поставок активных и пассивных импортных электронных компонентов (более 30 млн. наименований);
- Поставка сложных, дефицитных, либо снятых с производства позиций;
- Оперативные сроки поставки под заказ (от 5 рабочих дней);
- Экспресс доставка в любую точку России;
- Помощь Конструкторского Отдела и консультации квалифицированных инженеров;
- Техническая поддержка проекта, помощь в подборе аналогов, поставка прототипов;
- Поставка электронных компонентов под контролем ВП;
- Система менеджмента качества сертифицирована по Международному стандарту ISO 9001;
- При необходимости вся продукция военного и аэрокосмического назначения проходит испытания и сертификацию в лаборатории (по согласованию с заказчиком);
- Поставка специализированных компонентов военного и аэрокосмического уровня качества (Xilinx, Altera, Analog Devices, Intersil, Interpoint, Microsemi, Actel, Aeroflex, Peregrine, VPT, Syfer, Eurofarad, Texas Instruments, MS Kennedy, Miteq, Cobham, E2V, MA-COM, Hittite, Mini-Circuits, General Dynamics и др.);

Компания «Океан Электроники» является официальным дистрибьютором и эксклюзивным представителем в России одного из крупнейших производителей разъемов военного и аэрокосмического назначения «JONHON», а так же официальным дистрибьютором и эксклюзивным представителем в России производителя высокотехнологичных и надежных решений для передачи СВЧ сигналов «FORSTAR».



JONHON

«JONHON» (основан в 1970 г.)

Разъемы специального, военного и аэрокосмического назначения:

(Применяются в военной, авиационной, аэрокосмической, морской, железнодорожной, горно- и нефтедобывающей отраслях промышленности)

«FORSTAR» (основан в 1998 г.)

ВЧ соединители, коаксиальные кабели, кабельные сборки и микроволновые компоненты:

(Применяются в телекоммуникациях гражданского и специального назначения, в средствах связи, РЛС, а так же военной, авиационной и аэрокосмической отраслях промышленности).



Телефон: 8 (812) 309-75-97 (многоканальный)

Факс: 8 (812) 320-03-32

Электронная почта: ocean@oceanchips.ru

Web: <http://oceanchips.ru/>

Адрес: 198099, г. Санкт-Петербург, ул. Калинина, д. 2, корп. 4, лит. А