

# IS62WV25616EALL/EBLL/ECLL IS65WV25616EBLL/ECLL

PRELIMINARY  
APRIL 2015

## 256Kx16 LOW VOLTAGE, ULTRA LOW POWER CMOS STATIC RAM

### KEY FEATURES

- High-speed access time: 35ns, 45ns, 55ns
- CMOS low power operation
  - 30 mW (typical) operating
  - 6  $\mu$ W (typical) CMOS standby
- TTL compatible interface levels
- Single power supply
  - 1.65V-2.2V  $V_{DD}$  (IS62/65WV25616EALL)
  - 2.2V-3.6V  $V_{DD}$  (IS62/65WV25616EBLL)
  - 3.3V +/-5%  $V_{DD}$  (IS62/65WV25616ECLL)
- Package : 44-pin TSOP (Type II)  
48-pin mini BGA
- Commercial, Industrial and Automotive temperature support
- Lead-free available

### DESCRIPTION

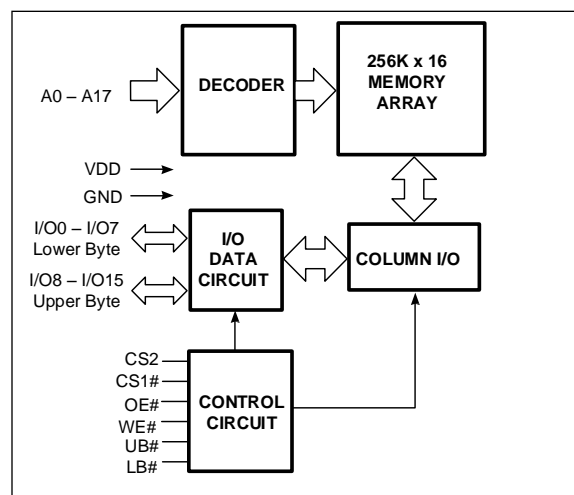
The *ISSI* IS62/65WV25616EALL/EBLL/ECLL are high-speed, low power, 4M bit static RAMs organized as 256K words by 16 bits. It is fabricated using *ISSI*'s high-performance CMOS technology.

This highly reliable process coupled with innovative circuit design techniques, yields high-performance and low power consumption devices. When CS1# is HIGH (deselected) or when CS2 is LOW (deselected) or when CS1# is LOW, CS2 is HIGH and both LB# and UB# are HIGH, the device assumes a standby mode at which the power dissipation can be reduced down with CMOS input levels.

Easy memory expansion is provided by using Chip Enable and Output Enable inputs. The active LOW Write Enable (WE#) controls both writing and reading of the memory. A data byte allows Upper Byte (UB#) and Lower Byte (LB#) access.

The IS62/65WV25616EALL/EBLL/ECLL are packaged in the JEDEC standard 48-pin mini BGA (6mm x 8mm) and 44-Pin TSOP (TYPE II).

### FUNCTIONAL BLOCK DIAGRAM



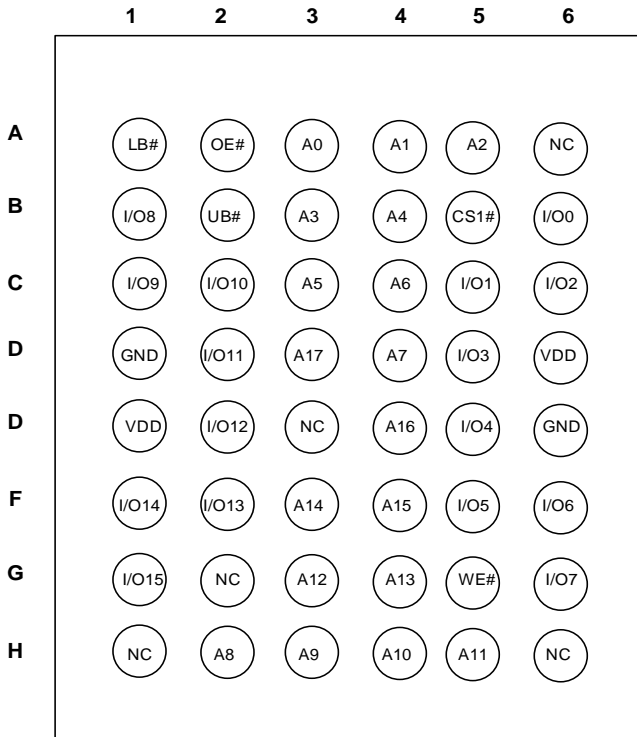
Copyright © 2015 Integrated Silicon Solution, Inc. All rights reserved. ISSI reserves the right to make changes to this specification and its products at any time without notice. ISSI assumes no liability arising out of the application or use of any information, products or services described herein. Customers are advised to obtain the latest version of this device specification before relying on any published information and before placing orders for products.

Integrated Silicon Solution, Inc. does not recommend the use of any of its products in life support applications where the failure or malfunction of the product can reasonably be expected to cause failure of the life support system or to significantly affect its safety or effectiveness. Products are not authorized for use in such applications unless Integrated Silicon Solution, Inc. receives written assurance to its satisfaction, that:

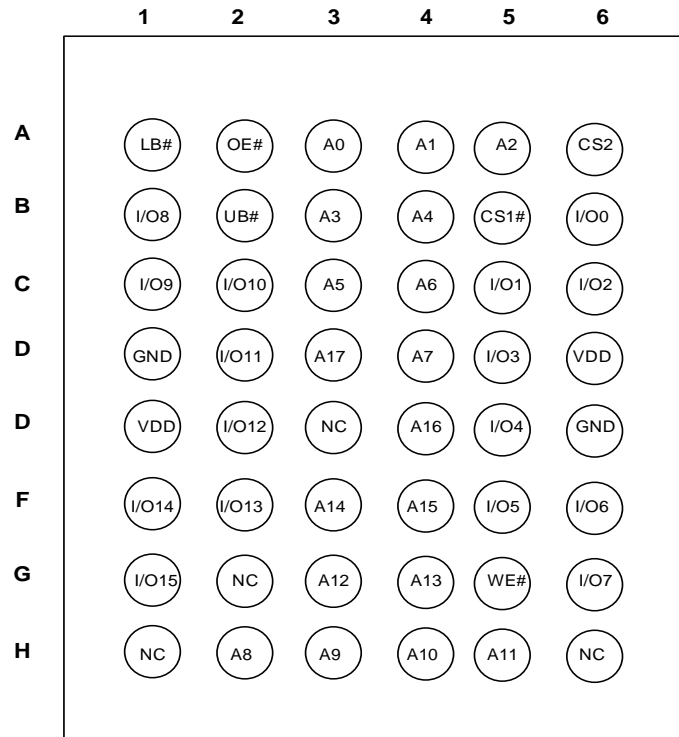
- a.) the risk of injury or damage has been minimized;
- b.) the user assume all such risks; and
- c.) potential liability of Integrated Silicon Solution, Inc is adequately protected under the circumstances

**PIN CONFIGURATIONS**

**48-Pin mini BGA (6mm x 8mm)**



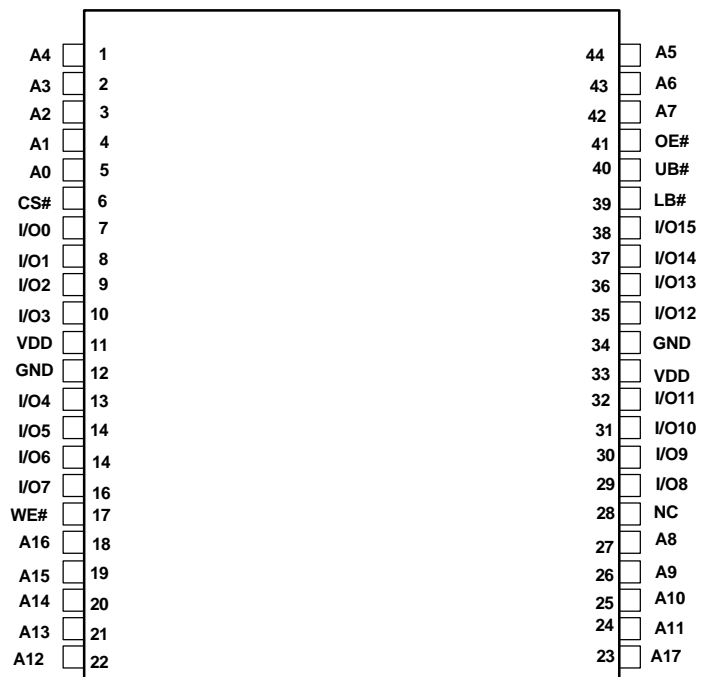
**48-Pin mini BGA (6mm x 8mm)**  
**2 CS Option**



**PIN DESCRIPTIONS**

A0-A17	Address Inputs
I/O0-I/O15	Data Inputs/Outputs
CS1#, CS2	Chip Enable Input
OE#	Output Enable Input
WE#	Write Enable Input
LB#	Lower-byte Control (I/O0-I/O7)
UB#	Upper-byte Control (I/O8-I/O15)
NC	No Connection
VDD	Power
GND	Ground

**44-Pin mini TSOP (Type II)**



## FUNCTION DESCRIPTION

SRAM is one of random access memories. Each byte or word has an address and can be accessed randomly. SRAM has three different modes supported. Each function is described below with Truth Table.

### STANDBY MODE

Device enters standby mode when deselected CS1# HIGH or CS2 LOW or both UB# and LB# are HIGH). The input and output pins (I/O0-15) are placed in a high impedance state. The current consumption in this mode will be ISB1 or ISB2. CMOS input in this mode will maximize saving power.

### WRITE MODE

Write operation issues with Chip selected (CS1# LOW and CS2 HIGH) and Write Enable (WE#) input LOW. The input and output pins (I/O0-15) are in data input mode. Output buffers are closed during this time even if OE# is LOW. UB# and LB# enables a byte write feature. By enabling LB# LOW, data from I/O pins (I/O0 through I/O7) are written into the location specified on the address pins. And with UB# being LOW, data from I/O pins (I/O8 through I/O15) are written into the location.

### READ MODE

Read operation issues with Chip selected (CS1# LOW and CS2 HIGH) and Write Enable (WE#) input HIGH. When OE# is LOW, output buffer turns on to make data output. Any input to I/O pins during READ mode is not permitted. UB# and LB# enables a byte read feature. By enabling LB# LOW, data from memory appears on I/O0-7. And with UB# being LOW, data from memory appears on I/O8-15.

In the READ mode, output buffers can be turned off by pulling OE# HIGH. In this mode, internal device operates as READ but I/Os are in a high impedance state. Since device is in READ mode, active current is used.

### TRUTH TABLE

Mode	CS1#	CS2	WE#	OE#	LB#	UB#	I/O0-I/O7	I/O8-I/O15	VDD Current
Not Selected	H	X	X	X	X	X	High-Z	High-Z	ISB2
	X	L	X	X	X	X	High-Z	High-Z	
	X	X	X	X	H	H	High-Z	High-Z	
Output Disabled	L	H	H	H	L	X	High-Z	High-Z	ICC,ICC1
	L	H	H	H	X	L	High-Z	High-Z	
Read	L	H	H	L	L	H	DOUT	High-Z	ICC,ICC1
	L	H	H	L	H	L	High-Z	DOUT	
	L	H	H	L	L	L	DOUT	DOUT	
Write	L	H	L	X	L	H	DIN	High-Z	ICC,ICC1
	L	H	L	X	H	L	High-Z	DIN	
	L	H	L	X	L	L	DIN	DIN	

**ABSOLUTE MAXIMUM RATINGS AND OPERATING RANGE**

**ABSOLUTE MAXIMUM RATINGS<sup>(1)</sup>**

Symbol	Parameter	Value	Unit
V <sub>term</sub>	Terminal Voltage with Respect to GND	-0.5 to V <sub>DD</sub> + 0.5V	V
V <sub>DD</sub>	V <sub>DD</sub> Related to GND	-0.3 to 4.0	V
t <sub>Stg</sub>	Storage Temperature	-65 to +150	°C
P <sub>T</sub>	Power Dissipation	1.0	W

Notes:

1. Stress greater than those listed under ABSOLUTE MAXIMUM RATINGS may cause permanent damage to the device. This is a stress rating only and functional operation of the device at these or any other conditions above those indicated in the operational sections of this specification is not implied. Exposure to absolute maximum rating conditions for extended periods may affect reliability.

**OPERATING RANGE<sup>(1)</sup>**

Range	Ambient Temperature	PART NUMBER	SPEED (MAX)	VDD(MIN)	VDD(TYP)	VDD(MAX)
Commercial	0°C to +70°C	~EALL	55 ns	1.65V	1.8V	2.2V
Industrial	-40°C to +85°C		55 ns	1.65V	1.8V	2.2V
Automotive	-40°C to +125°C		55 ns	1.65V	1.8V	2.2V
Commercial	0°C to +70°C	~EBLL	45ns	2.2V	3.0V	3.6V
Industrial	-40°C to +85°C		45ns	2.2V	3.0V	3.6V
Automotive	-40°C to +125°C		55ns	2.2V	3.0V	3.6V
Commercial	0°C to +70°C	~ECLL	35ns	3.135V	3.3V	3.465V
Industrial	-40°C to +85°C		35ns	3.135V	3.3V	3.465V
Automotive	-40°C to +125°C		45ns	3.135V	3.3V	3.465V

Note:

1. Full device AC operation assumes a 100 μs ramp time from 0 to V<sub>cc</sub>(min) and 200 μs wait time after V<sub>cc</sub> stabilization.

**PIN CAPACITANCE<sup>(1)</sup>**

Parameter	Symbol	Test Condition	Max	Units
Input capacitance	C <sub>IN</sub>	T <sub>A</sub> = 25°C, f = 1 MHz, V <sub>DD</sub> = V <sub>DD</sub> (typ)	6	pF
DQ capacitance (IO0–IO15)	C <sub>I/O</sub>		8	pF

Note:

1. These parameters are guaranteed by design and tested by a sample basis only.

**THERMAL CHARACTERISTICS<sup>(1)</sup>**

Parameter	Symbol	Rating	Units
Thermal resistance from junction to ambient (airflow = 1m/s)	R <sub>θJA</sub>	TBD	°C/W
Thermal resistance from junction to pins	R <sub>θJB</sub>	TBD	°C/W
Thermal resistance from junction to case	R <sub>θJC</sub>	TBD	°C/W

Note:

1. These parameters are guaranteed by design and tested by a sample basis only.

AC TEST CONDITIONS (OVER THE OPERATING RANGE)

Parameter	Unit (1.65V~2.2V)	Unit (2.2V~3.6V)	Unit (3.3V +/-5%)
Input Pulse Level	0.4V to $V_{DD} - 0.3V$	0.4V to $V_{DD} - 0.3V$	0.4V to $V_{DD} - 0.3V$
Input Rise and Fall Time	1V/ns	1V/ns	1V/ns
Output Timing Reference Level	0.9V	$\frac{1}{2} V_{DD}$	$\frac{1}{2} V_{DD} + 0.05V$
R1	13500	1005	1213
R2	10800	820	1378
$V_{TM}$	1.8V	3.0V	3.3V
Output Load Conditions	Refer to Figure 1 and 2		

OUTPUT LOAD CONDITIONS FIGURES

FIGURE 1

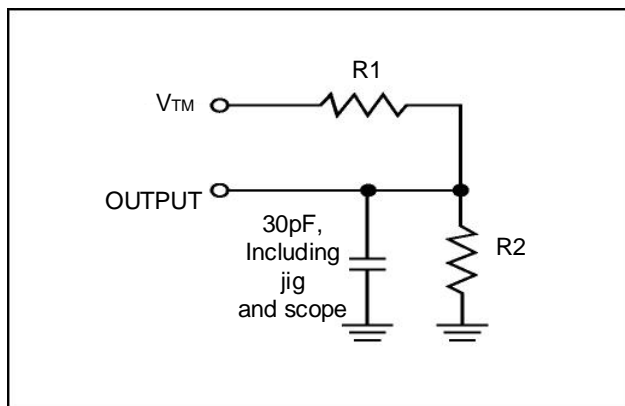
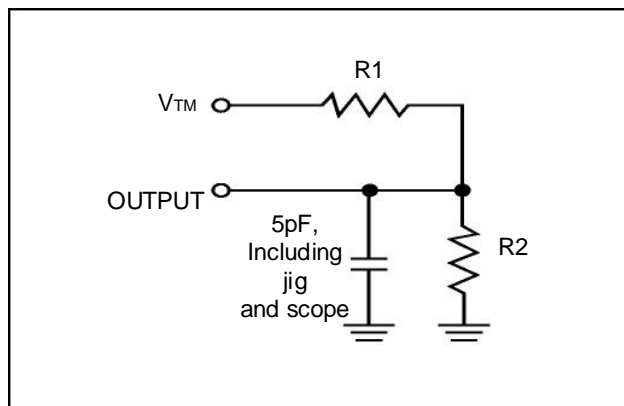


FIGURE 2



# IS62WV25616EALL/EBLL/ECLL IS65WV25616EBLL/ECLL



## DC ELECTRICAL CHARACTERISTICS

### IS62(5)WV25616EALL DC ELECTRICAL CHARACTERISTICS-I (OVER THE OPERATING RANGE) VDD = 1.65V ~ 2.2V

Symbol	Parameter	Test Conditions	Min.	Max.	Unit
V <sub>OH</sub>	Output HIGH Voltage	I <sub>OH</sub> = -0.1 mA	1.4	—	V
V <sub>OL</sub>	Output LOW Voltage	I <sub>OL</sub> = 0.1 mA	—	0.2	V
V <sub>IH</sub> <sup>(1)</sup>	Input HIGH Voltage		1.4	V <sub>DD</sub> + 0.2	V
V <sub>IL</sub> <sup>(1)</sup>	Input LOW Voltage		-0.2	0.4	V
I <sub>LI</sub>	Input Leakage	GND < V <sub>IN</sub> < V <sub>DD</sub>	-1	1	μA
I <sub>LO</sub>	Output Leakage	GND < V <sub>IN</sub> < V <sub>DD</sub> , Output Disabled	-1	1	μA

Notes:

- V<sub>ILL</sub>(min) = -1.0V AC (pulse width < 10ns). Not 100% tested.  
V<sub>IHH</sub>(max) = V<sub>DD</sub> + 1.0V AC (pulse width < 10ns). Not 100% tested.

### IS62(5)WV25616EBLL DC ELECTRICAL CHARACTERISTICS-I (OVER THE OPERATING RANGE) VDD = 2.2V ~ 3.6V

Symbol	Parameter	Test Conditions	Min.	Max.	Unit
V <sub>OH</sub>	Output HIGH Voltage	2.2 ≤ V <sub>DD</sub> < 2.7, I <sub>OH</sub> = -0.1 mA	2.0	—	V
		2.7 ≤ V <sub>DD</sub> ≤ 3.6, I <sub>OH</sub> = -1.0 mA	2.4	—	V
V <sub>OL</sub>	Output LOW Voltage	2.2 ≤ V <sub>DD</sub> < 2.7, I <sub>OL</sub> = 0.1 mA	—	0.4	V
		2.7 ≤ V <sub>DD</sub> ≤ 3.6, I <sub>OL</sub> = 2.1 mA	—	0.4	V
V <sub>IH</sub> <sup>(1)</sup>	Input HIGH Voltage	2.2 ≤ V <sub>DD</sub> < 2.7	1.8	V <sub>DD</sub> + 0.3	V
		2.7 ≤ V <sub>DD</sub> ≤ 3.6	2.0	V <sub>DD</sub> + 0.3	V
V <sub>IL</sub> <sup>(1)</sup>	Input LOW Voltage	2.2 ≤ V <sub>DD</sub> < 2.7	-0.3	0.6	V
		2.7 ≤ V <sub>DD</sub> ≤ 3.6	-0.3	0.8	V
I <sub>LI</sub>	Input Leakage	GND < V <sub>IN</sub> < V <sub>DD</sub>	-1	1	μA
I <sub>LO</sub>	Output Leakage	GND < V <sub>IN</sub> < V <sub>DD</sub> , Output Disabled	-1	1	μA

Notes:

- V<sub>ILL</sub>(min) = -2.0V AC (pulse width < 10ns). Not 100% tested.  
V<sub>IHH</sub>(max) = V<sub>DD</sub> + 2.0V AC (pulse width < 10ns). Not 100% tested.

### IS62(5)WV25616ECLL DC ELECTRICAL CHARACTERISTICS-I (OVER THE OPERATING RANGE) VDD = 3.3V +/-5%<sup>(2)</sup>

Symbol	Parameter	Test Conditions	Min.	Max.	Unit
V <sub>OH</sub>	Output HIGH Voltage	I <sub>OH</sub> = -1.0 mA	2.4	—	V
V <sub>OL</sub>	Output LOW Voltage	I <sub>OL</sub> = 2.1 mA	—	0.4	V
V <sub>IH</sub> <sup>(1)</sup>	Input HIGH Voltage		2.0	V <sub>DD</sub> + 0.3	V
V <sub>IL</sub> <sup>(1)</sup>	Input LOW Voltage		-0.3	0.8	V
I <sub>LI</sub>	Input Leakage	GND < V <sub>IN</sub> < V <sub>DD</sub>	-1	1	μA
I <sub>LO</sub>	Output Leakage	GND < V <sub>IN</sub> < V <sub>DD</sub> , Output Disabled	-1	1	μA

Notes:

- V<sub>ILL</sub>(min) = -2.0V AC (pulse width < 10ns). Not 100% tested.  
V<sub>IHH</sub>(max) = V<sub>DD</sub> + 2.0V AC (pulse width < 10ns). Not 100% tested.
- V<sub>DD</sub>=3.3V +/-5% is for high speed of 35ns device (ECLL).

**IS62WV25616EALL/EBLL/ECLL**  
**IS65WV25616EBLL/ECLL**



**IS62(5)WV25616EALL DC ELECTRICAL CHARACTERISTICS-II FOR POWER**  
**(OVER THE OPERATING RANGE)**

Symbol	Parameter	Test Conditions	Grade	-55 Max.	Unit
ICC	V <sub>DD</sub> Dynamic Operating Supply Current	V <sub>DD</sub> = MAX, I <sub>OUT</sub> = 0 mA, f = f <sub>MAX</sub>	Com.	20	mA
			Ind./Auto A1	22	
			Auto. A3	22	
ICC1	V <sub>DD</sub> Static Operating Supply Current	V <sub>DD</sub> = MAX, I <sub>OUT</sub> = 0 mA, f = 0	Com.	5	mA
			Ind./Auto A1	5	
			Auto. A3	5	
ISB2	CMOS Standby Current (CMOS Inputs)	V <sub>DD</sub> = MAX, (1) 0V ≤ CS2 ≤ 0.2V or (2) CS1# ≥ V <sub>DD</sub> - 0.2V, CS2 ≥ V <sub>DD</sub> - 0.2V or (3) LB# and UB# ≥ V <sub>DD</sub> - 0.2V CS1# ≤ 0.2V, CS2 ≥ V <sub>DD</sub> - 0.2V, f = 0	Com.	6	μA
			Ind./Auto A1	8	
			Auto. A3	15	
			typ. <sup>(1)</sup>	3.5	

Notes:

1. Typical values are measured at V<sub>DD</sub> = 1.8V, T<sub>A</sub> = 25°C, and not 100% tested.

**IS62(5)WV25616EBLL/ECLL DC ELECTRICAL CHARACTERISTICS-II FOR POWER**  
**(OVER THE OPERATING RANGE)**

Symbol	Parameter	Test Conditions	Grade	-35 <sup>(1)</sup> Max.	-45 Max.	-55 Max.	Unit
ICC	V <sub>DD</sub> Dynamic Operating Supply Current	V <sub>DD</sub> = MAX, I <sub>OUT</sub> = 0 mA, f = f <sub>MAX</sub>	Com.	22	20	20	mA
			Ind./Auto A1	25	22	22	
			Auto. A3	-	22	22	
ICC1	V <sub>DD</sub> Static Operating Supply Current	V <sub>DD</sub> = MAX, I <sub>OUT</sub> = 0 mA, f = 0	Com.	5	5	5	mA
			Ind./Auto A1	5	5	5	
			Auto. A3	-	5	5	
ISB2	CMOS Standby Current (CMOS Inputs)	V <sub>DD</sub> = MAX, (1) 0V ≤ CS2 ≤ 0.2V or (2) CS1# ≥ V <sub>DD</sub> - 0.2V, CS2 ≥ V <sub>DD</sub> - 0.2V or (3) LB# and UB# ≥ V <sub>DD</sub> - 0.2V CS1# ≤ 0.2V, CS2 ≥ V <sub>DD</sub> - 0.2V, f = 0	Com.	6	6	6	μA
			Ind./Auto A1	8	8	8	
			Auto. A3	-	15	15	
			typ. <sup>(2)</sup>	3.5			

Notes:

1. 35 ns speed bin is for ECLL (V<sub>DD</sub>=3.3V +/-5%) only.
2. Typical values are measured at V<sub>DD</sub> = 3.0V, T<sub>A</sub> = 25°C, and not 100% tested.

**IS62WV25616EALL/EBLL/ECLL  
IS65WV25616EBLL/ECLL**



**AC CHARACTERISTICS<sup>(6)</sup> (OVER OPERATING RANGE)**

**READ CYCLE AC CHARACTERISTICS**

Parameter	Symbol	35ns <sup>(7)</sup>		45ns		55ns		unit	notes
		Min	Max	Min	Max	Min	Max		
Read Cycle Time	tRC	35	-	45	-	55	-	ns	1,5
Address Access Time	tAA	-	35	-	45	-	55	ns	1
Output Hold Time	tOHA	8	-	10	-	10	-	ns	1
CS1#, CS2 Access Time	tACS1/ACS2	-	35	-	45	-	55	ns	1
UB#, LB# Access Time	tBA	-	35	-	45	-	55	ns	1
OE# Access Time	tDOE	-	18	-	20	-	25	ns	1
OE# to High-Z Output	tHZOE	-	12	-	15	-	20	ns	2
OE# to Low-Z Output	tLZOE	4	-	5	-	5	-	ns	2
CS1#, CS2 to High-Z Output	tHZCS	-	12	-	15	-	20	ns	2
CS1#, CS2 to Low-Z Output	tLZCS	10	-	10	-	10	-	ns	2
UB#, LB# to High-Z Output	tHZB	-	12	-	15	-	20	ns	2
UB#, LB# to Low-Z Output	tLZB	10	-	10	-	10	-	ns	2

**WRITE CYCLE AC CHARACTERISTICS**

Parameter	Symbol	35ns <sup>(7)</sup>		45ns		55ns		unit	notes
		Min	Max	Min	Max	Min	Min		
Write Cycle Time	tWC	35	-	45	-	55	-	ns	1,3,5
CS1#, CS2 to Write End	tSCS	30	-	35	-	40	-	ns	1,3
Address Setup Time to Write End	tAW	30	-	35	-	40	-	ns	1,3
UB#,LB# to Write End	tAW	30	-	35	-	40	-	ns	1,3
Address Hold from Write End	tHA	0	-	0	-	0	-	ns	1,3
Address Setup Time	tSA	0	-	0	-	0	-	ns	1,3
WE# Pulse Width	tPWE	30	-	35	-	40	-	ns	1,3,4
Data Setup to Write End	tSD	18	-	20	-	25	-	ns	1,3
Data Hold from Write End	tHD	0	-	0	-	0	-	ns	1,3
WE# LOW to High-Z Output	tHZWE	-	12	-	15	-	20	ns	2,3
WE# HIGH to Low-Z Output	tLZWE	4	-	5	-	5	-	ns	2,3

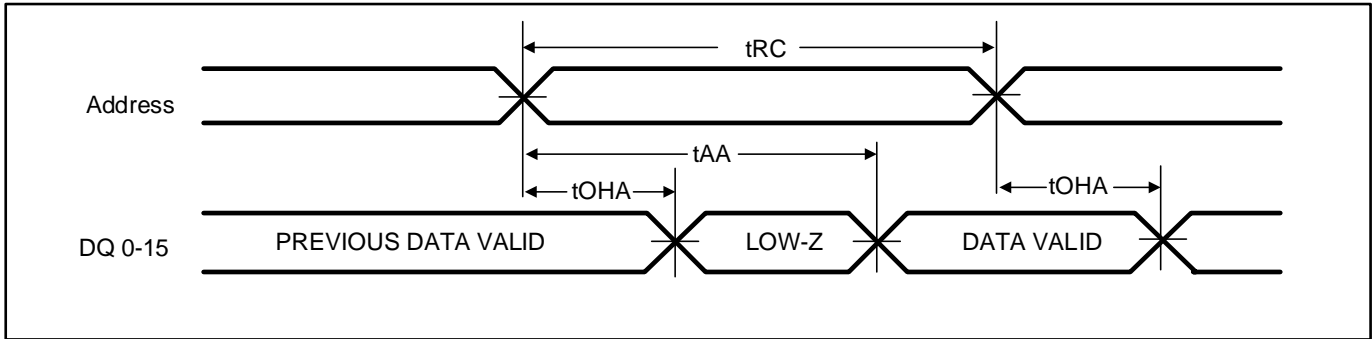
Notes:

1. Tested with the load in Figure 1.
2. Tested with the load in Figure 2. Transition is measured  $\pm 500$  mV from steady-state voltage. tHZOE, tHZCS, tHZB, and tHZWE transitions are measured when the output enters a high impedance state. Not 100% tested.
3. The internal write time is defined by the overlap of CS1# = LOW, CS2=HIGH, UB# or LB# = LOW, and WE# = LOW. All four conditions must be in valid states to initiate a Write, but any condition can go inactive to terminate the Write. The Data Input Setup and Hold timing are referenced to the rising or falling edge of the signal that terminates the write.
4. tPWE > tHZWE + tSD when OE# is LOW.
5. Address inputs must meet V<sub>IH</sub> and V<sub>IL</sub> SPEC during this period. Any glitch or unknown inputs are not permitted. Unknown input with standby mode is acceptable.
6. Data retention characteristics are defined later in DATA RETENTION CHARACTERISTICS.
7. 35 ns speed bin is for ECLL (VDD=3.3V +/-5%) only .



## Timing Diagram

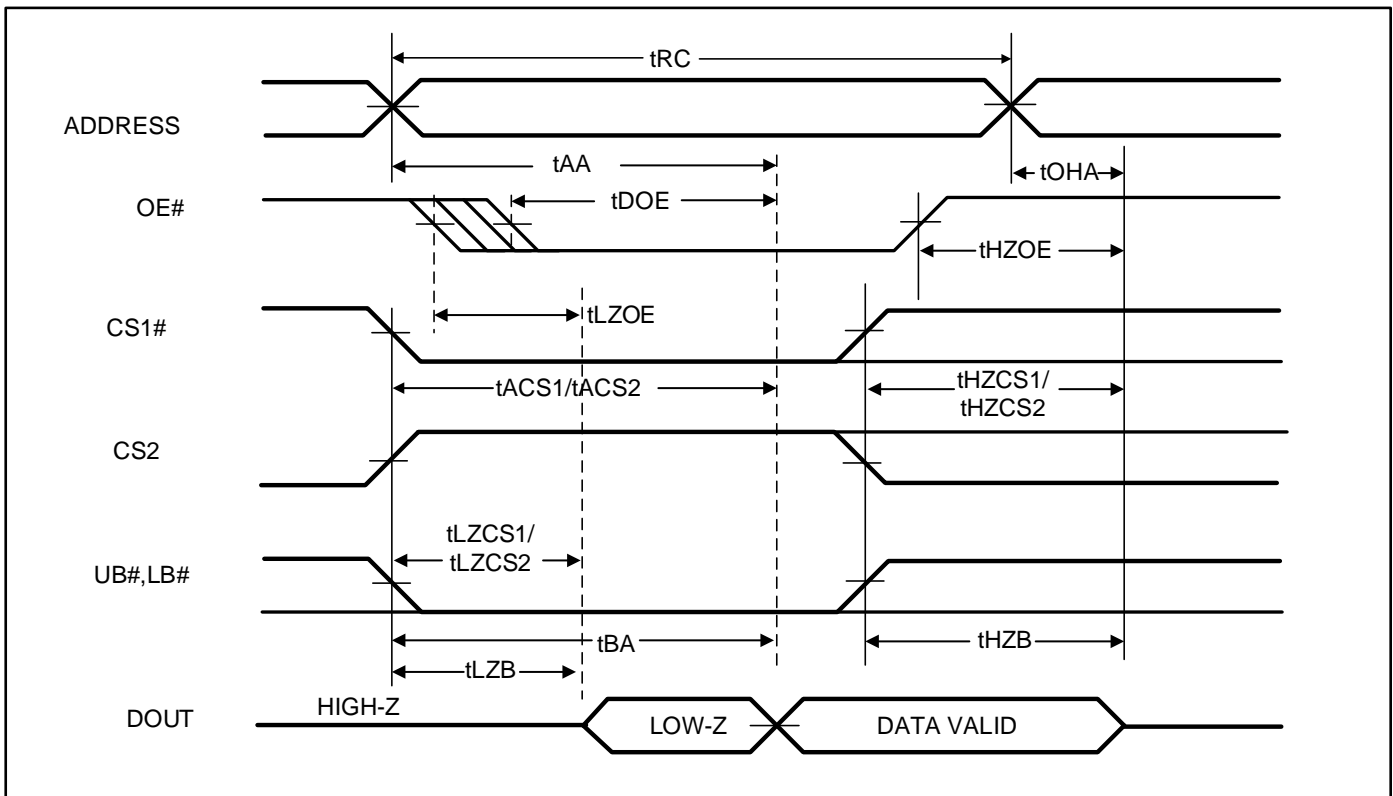
READ CYCLE NO. 1<sup>(1)</sup> (ADDRESS CONTROLLED, CS1# = OE# = UB# = LB# = LOW, CS2 = WE# = HIGH)



Notes:

1. The device is continuously selected.

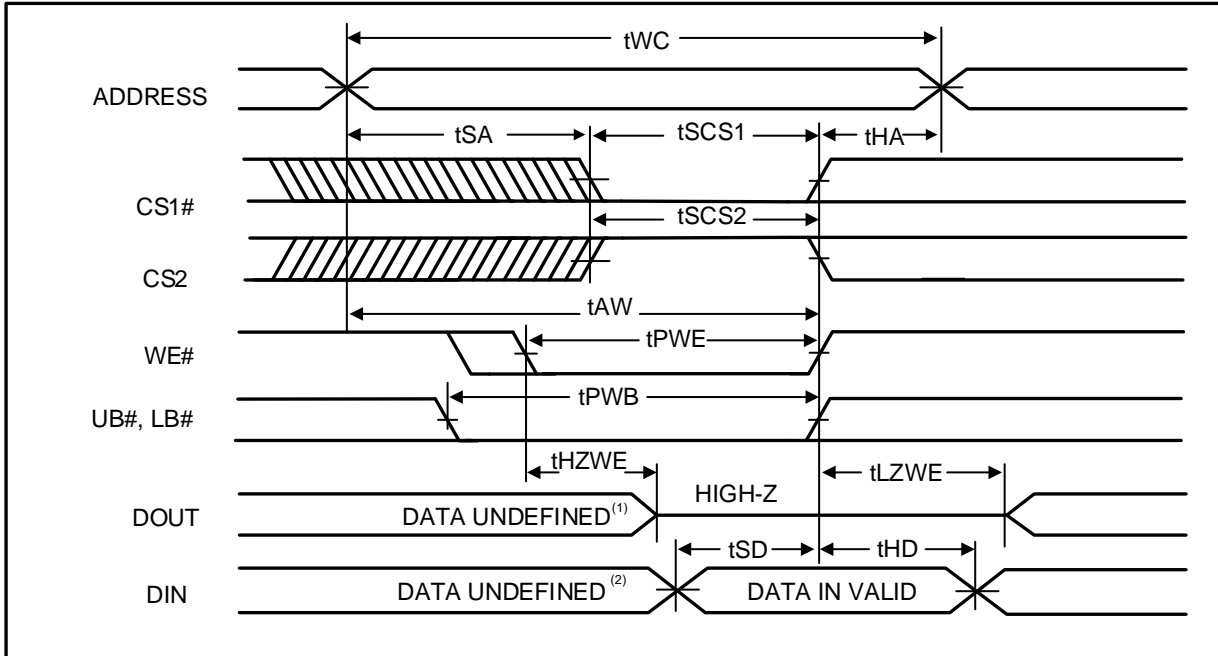
READ CYCLE NO. 2<sup>(1)</sup> (OE# CONTROLLED, WE# = HIGH)



Notes:

1. Address is valid prior to or coincident with CS1# LOW or CS2 HIGH transition.

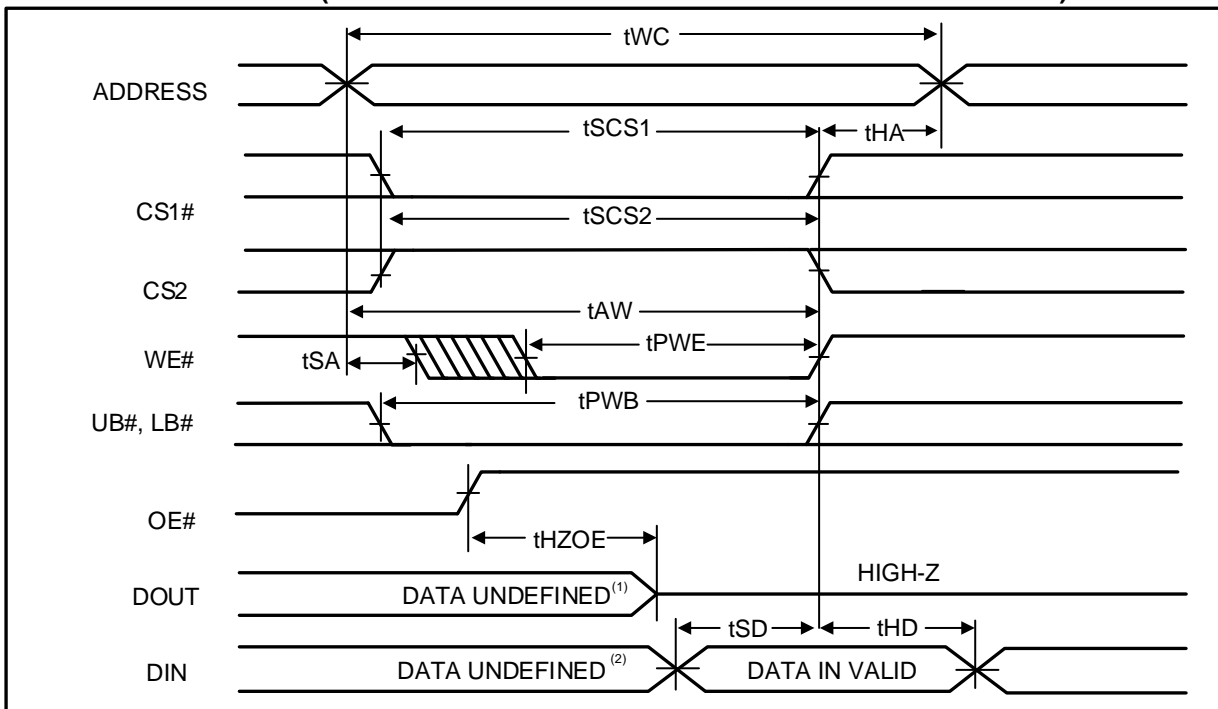
**WRITE CYCLE NO. 1<sup>(1,2)</sup> (CS1#, CS2 CONTROLLED, OE# = HIGH OR LOW)**



Notes:

1. tHZWE is based on the assumption when tSA=0nS after READ operation. Actual DOUT for tHZWE may not appear if OE# goes high before Write Cycle. tHZOE is the time DOUT goes to High-Z after OE# goes high.
2. During this period the I/Os are in output state. Do not apply input signals.

**WRITE CYCLE NO. 2<sup>(1,2)</sup> (WE# CONTROLLED: OE# IS HIGH DURING WRITE CYCLE)**



Notes:

1. tHZOE is the time DOUT goes to High-Z after OE# goes high.
2. During this period the I/Os are in output state. Do not apply input signals.

WRITE CYCLE NO. 3 (WE# CONTROLLED: OE# IS LOW DURING WRITE CYCLE)



Notes:

1. If OE# is low during write cycle, tHZWE must be met in the application. Do not apply input signal during this period. Data output from the previous READ operation will drive IO BUS.

WRITE CYCLE NO. 4 (UB# & LB# Controlled, OE# = LOW)



Notes:

1. If OE# is low during write cycle,  $t_{HZWE}$  must be met in the application. Do not apply input signal during this period. Data output from the previous READ operation will drive IO BUS.
2. Due to the restriction of note 1, OE# is recommended to be HIGH during write period.
3. Note WE# stays LOW in this example. If WE# toggles,  $t_{PWE}$  and  $t_{HZWE}$  must be considered.

# IS62WV25616EALL/EBLL/ECLL IS65WV25616EBLL/ECLL



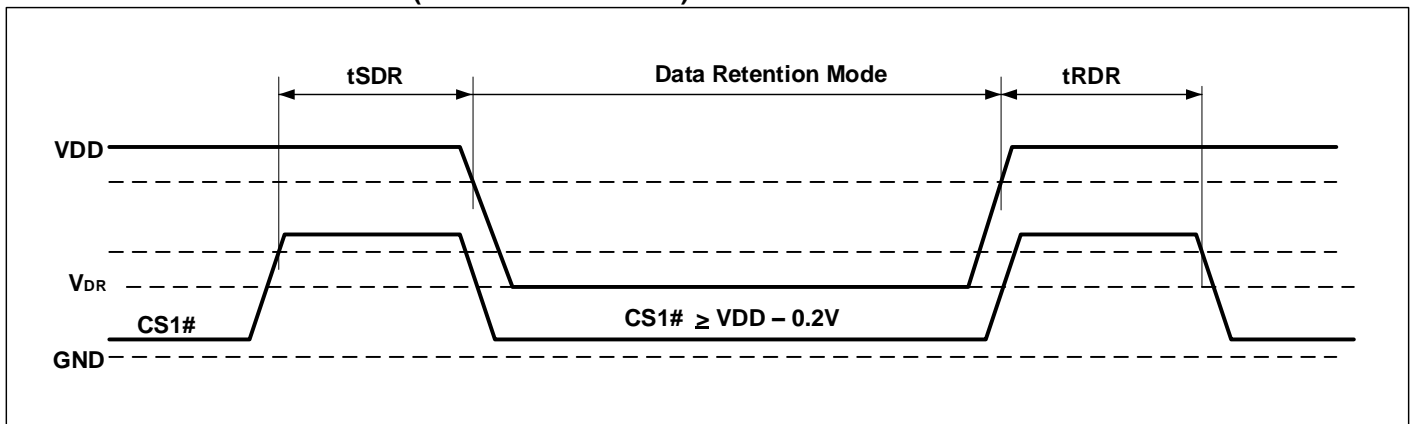
## DATA RETENTION CHARACTERISTICS

Symbol	Parameter	Test Condition	OPTION	Min.	Typ. <sup>(2)</sup>	Max.	Unit
$V_{DR}$	$V_{DD}$ for Data Retention	See Data Retention Waveform		1.5		3.6	V
$I_{DR}$	Data Retention Current	$V_{DD} = V_{DR}(\text{min})$ , (1) $0V \leq CS2 \leq 0.2V$ , or (2) $CS1\# \geq V_{DD} - 0.2V$ , $CS2 \geq V_{DD} - 0.2V$ (3) $LB\#$ and $UB\# \geq V_{DD} - 0.2V$ , $CS1\# \leq 0.2V$ , $CS2 \geq V_{DD} - 0.2V$	Com.	-	-	6	uA
			Ind./Auto A1	-	-	8	
			Auto A3	-	-	15	
			typ. <sup>(2)</sup>	3.5			
$t_{SDR}$	Data Retention Setup Time	See Data Retention Waveform		0	-	-	ns
$t_{RDR}$	Recovery Time	See Data Retention Waveform		$t_{RC}$	-	-	ns

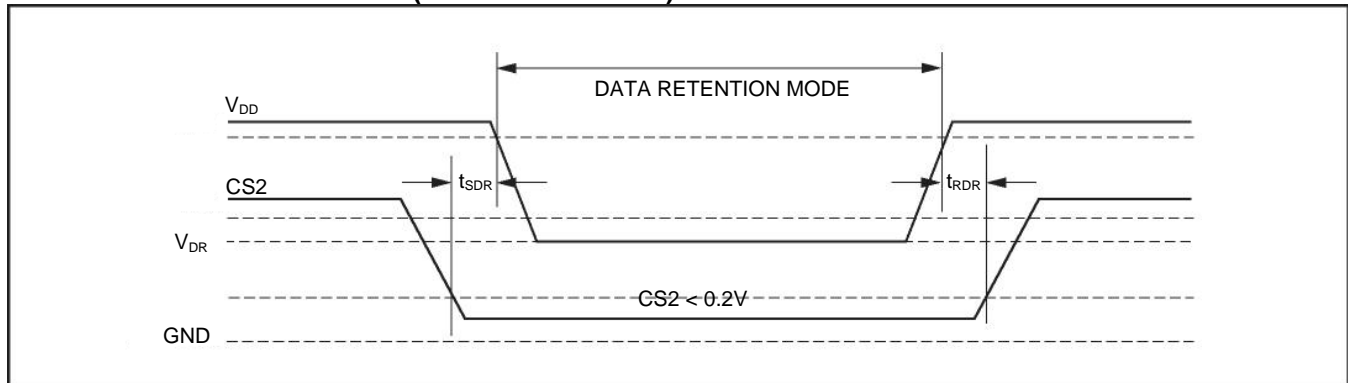
Note:

1. If  $CS1\# > V_{DD} - 0.2V$ , all other inputs including  $CS2$  and  $UB\#$  and  $LB\#$  must meet this condition.
2. Typical values are measured at  $V_{DD} = 3.0V$ ,  $T_A = 25^\circ C$ , and not 100% tested.

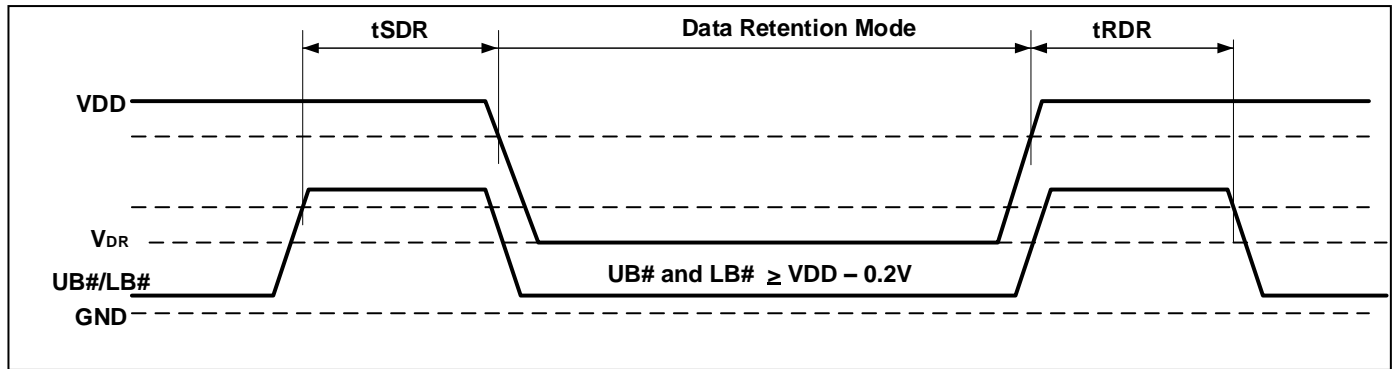
### DATA RETENTION WAVEFORM (CS1# CONTROLLED)



### DATA RETENTION WAVEFORM (CS2 CONTROLLED)



DATA RETENTION WAVEFORM (UB# AND LB# CONTROLLED)



**Note:**

1. CS2 must satisfy either  $CS2 \geq VDD - 0.2V$  or  $CS2 \leq 0.2V$
2. CS1# must satisfy either  $CS1# \geq VDD - 0.2V$  or  $CS1# \leq 0.2V$

## ORDERING INFORMATION

### IS62WV25616EALL (1.65V - 2.2V)

#### Commercial Range: 0°C to +85°C

Speed (ns)	Order Part No.	Package
55	IS62WV25616EALL-55TL	TSOP (Type II), Lead-free
55	IS62WV25616EALL-55BL	mini BGA (6mm x 8mm), Lead-free

#### Industrial Range: -40°C to +85°C

Speed (ns)	Order Part No.	Package
55	IS62WV25616EALL-55TI	TSOP (Type II)
55	IS62WV25616EALL-55TLI	TSOP (Type II), Lead-free
55	IS62WV25616EALL-55BI	mini BGA (6mm x 8mm)
55	IS62WV25616EALL-55B2I	mini BGA (6mm x 8mm), 2 CS Option
55	IS62WV25616EALL-55BLI	mini BGA (6mm x 8mm), Lead-free

### AUTOMOTIVE RANGE (A3): -40°C TO +125°C

*\*PLEASE CONTACT ISSI MARKETING*

### IS62WV25616EBLL (2.2V - 3.6V)

#### Industrial Range: -40°C to +85°C

Speed (ns)	Order Part No.	Package
45	IS62WV25616EBLL-45TI	TSOP (Type II)
	IS62WV25616EBLL-45TLI	TSOP (Type II), Lead-free
	IS62WV25616EBLL-45BI	mini BGA (6mm x 8mm)
	IS62WV25616EBLL-45BLI	mini BGA (6mm x 8mm), Lead-free
	IS62WV25616EBLL-45B2I	mini BGA (6mm x 8mm), 2 CS Option
	IS62WV25616EBLL-45B2LI	mini BGA (6mm x 8mm), 2 CS Option, Lead-free
55	IS62WV25616EBLL-55TI	TSOP (Type II)
	IS62WV25616EBLL-55TLI	TSOP (Type II), Lead-free
	IS62WV25616EBLL-55BI	mini BGA (6mm x 8mm)
	IS62WV25616EBLL-55BLI	mini BGA (6mm x 8mm), Lead-free
	IS62WV25616EBLL-55B2I	mini BGA (6mm x 8mm), 2 CS Option
	IS62WV25616EBLL-55B2LI	mini BGA (6mm x 8mm), 2 CS Option, Lead-free

## IS62WV25616EALL/EBLL/ECLL IS65WV25616EBLL/ECLL



### Automotive Range (A1): -40°C to +85°C

Speed (ns)	Order Part No.	Package
45	IS65WV25616EBLL-45CTLA1	TSOP (Type II), Lead-free, Copper Lead-frame
	IS65WV25616EBLL-45BLA1	mini BGA (6mm x 8mm), Lead-free

### Automotive Range (A3): -40°C to +125°C

Speed (ns)	Order Part No.	Package
55	IS65WV25616EBLL-55TLA3	TSOP (Type II), Lead-free
55	IS65WV25616EBLL-55CTLA3	TSOP (Type II), Lead-free, Copper Lead-frame
55	IS65WV25616EBLL-55BA3	mini BGA (6mm x 8mm)
55	IS65WV25616EBLL-55BLA3	mini BGA (6mm x 8mm), Lead-free

## IS62WV25616ECLL (3.3V +/-5%)

### Industrial Range: -40°C to +85°C

Speed (ns)	Order Part No.	Package
35	IS62WV25616ECLL-35TI	TSOP (Type II)
35	IS62WV25616ECLL-35TLI	TSOP (Type II), Lead-free
35	IS62WV25616ECLL-35BI	mini BGA (6mm x 8mm)
35	IS62WV25616ECLL-35BLI	mini BGA (6mm x 8mm), Lead-free
35	IS62WV25616ECLL-35B2I	mini BGA (6mm x 8mm), 2 CS Option
35	IS62WV25616ECLL-35B2LI	mini BGA (6mm x 8mm), 2 CS Option, Lead-free

### Automotive Range (A3): -40°C to +125°C

Speed (ns)	Order Part No.	Package
45	IS65WV25616ECLL-45TLA3	TSOP (Type II), Lead-free
45	IS65WV25616ECLL-45CTLA3	TSOP (Type II), Lead-free, Copper Lead-frame
45	IS65WV25616ECLL-45BA3	mini BGA (6mm x 8mm)
45	IS65WV25616ECLL-45BLA3	mini BGA (6mm x 8mm), Lead-free



PACKAGE INFORMATION



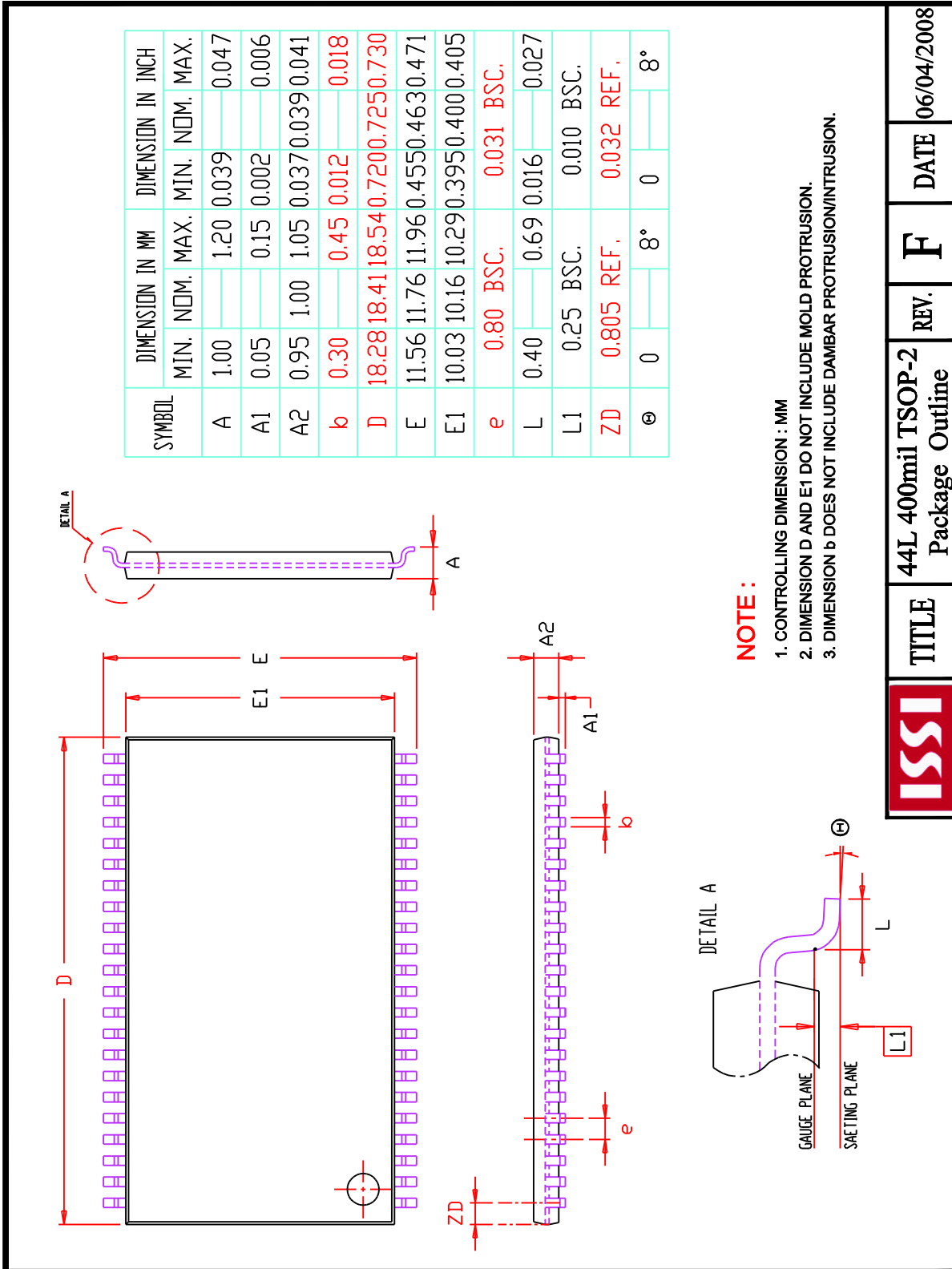
TITLE

48L 6x8mm VF-BGA  
Package Outline

REV. A

DATE

12/10/2013



Компания «Океан Электроники» предлагает заключение долгосрочных отношений при поставках импортных электронных компонентов на взаимовыгодных условиях!

Наши преимущества:

- Поставка оригинальных импортных электронных компонентов напрямую с производств Америки, Европы и Азии, а так же с крупнейших складов мира;
- Широкая линейка поставок активных и пассивных импортных электронных компонентов (более 30 млн. наименований);
- Поставка сложных, дефицитных, либо снятых с производства позиций;
- Оперативные сроки поставки под заказ (от 5 рабочих дней);
- Экспресс доставка в любую точку России;
- Помощь Конструкторского Отдела и консультации квалифицированных инженеров;
- Техническая поддержка проекта, помощь в подборе аналогов, поставка прототипов;
- Поставка электронных компонентов под контролем ВП;
- Система менеджмента качества сертифицирована по Международному стандарту ISO 9001;
- При необходимости вся продукция военного и аэрокосмического назначения проходит испытания и сертификацию в лаборатории (по согласованию с заказчиком);
- Поставка специализированных компонентов военного и аэрокосмического уровня качества (Xilinx, Altera, Analog Devices, Intersil, Interpoint, Microsemi, Actel, Aeroflex, Peregrine, VPT, Syfer, Eurofarad, Texas Instruments, MS Kennedy, Miteq, Cobham, E2V, MA-COM, Hittite, Mini-Circuits, General Dynamics и др.);

Компания «Океан Электроники» является официальным дистрибьютором и эксклюзивным представителем в России одного из крупнейших производителей разъемов военного и аэрокосмического назначения «**JONHON**», а так же официальным дистрибьютором и эксклюзивным представителем в России производителя высокотехнологичных и надежных решений для передачи СВЧ сигналов «**FORSTAR**».



## JONHON

«**JONHON**» (основан в 1970 г.)

Разъемы специального, военного и аэрокосмического назначения:

(Применяются в военной, авиационной, аэрокосмической, морской, железнодорожной, горно- и нефтедобывающей отраслях промышленности)

«**FORSTAR**» (основан в 1998 г.)

ВЧ соединители, коаксиальные кабели,  
кабельные сборки и микроволновые компоненты:

(Применяются в телекоммуникациях гражданского и специального назначения, в средствах связи, РЛС, а так же военной, авиационной и аэрокосмической отраслях промышленности).



Телефон: 8 (812) 309-75-97 (многоканальный)

Факс: 8 (812) 320-03-32

Электронная почта: [ocean@oceanchips.ru](mailto:ocean@oceanchips.ru)

Web: <http://oceanchips.ru/>

Адрес: 198099, г. Санкт-Петербург, ул. Калинина, д. 2, корп. 4, лит. А