



# ±1% Accuracy, Low-Power, +3V and +5V $\mu$ P Supervisory Circuits

MAX814/MAX815/MAX816

## General Description

The MAX814/MAX815/MAX816 are high-accuracy microprocessor ( $\mu$ P) supervisory circuits that provide power-on reset, watchdog, and power-fail functions. They eliminate manual trimming and improve reliability in critical applications needing high-accuracy reset thresholds. The  $\overline{\text{RESET}}$  output is guaranteed to be in the correct state for  $V_{CC}$  down to 1V. The reset comparator is designed to ignore fast transients on  $V_{CC}$ . Reset thresholds are available for operation with a variety of 3V and 5V supply voltages.

A 75 $\mu$ A maximum supply current makes the MAX814/MAX815/MAX816 ideal for use in portable equipment. All three devices are available in 8-pin DIP and SO packages. See the *Selector Table* for a review of features.

## Selector Table

FEATURE	MAX814	MAX815	MAX816
$\overline{\text{RESET}}$ Output	✓	✓	✓
RESET Output	✓		✓
Manual Reset	✓	✓	✓
$V_{CC}$ Reset Voltage	K, L, N, T	K, L, N, T	Adjustable
Power-Fail Monitor	✓	✓	✓
Low-Line Detector	✓		
Watchdog Circuit		✓	

## Applications

- Medical Equipment
- Controllers
- Intelligent Instruments
- Critical  $\mu$ P Power Monitoring
- Portable/Battery-Powered Equipment
- Set-Top Boxes

## Features

- ◆ ±1% Worst-Case Reset Threshold Accuracy
- ◆ 4.8V, 4.7V, 4.55V, 3.03V, or Adjustable Reset Thresholds
- ◆ ±1% Low-Line Threshold Accuracy (MAX814) 60mV Above Reset Threshold
- ◆ 200ms Reset Time Delay
- ◆ Active-Low  $\overline{\text{RESET}}$  Output
- ◆ Active-High RESET Output (MAX814/MAX816)
- ◆ 75 $\mu$ A Max Supply Current
- ◆ Guaranteed  $\overline{\text{RESET}}$  Valid to  $V_{CC} = 1V$
- ◆ Manual Reset Input
- ◆ ±2% Power-Fail Comparator
- ◆ Independent Watchdog with 1.56sec Timeout (MAX815)
- ◆ Power-Supply Glitch Immunity
- ◆ 8-Pin SO and DIP Packages

## Ordering Information

PART*	TEMP RANGE	PIN-PACKAGE
MAX814_CPA	0°C to +70°C	8 PDIP

\*The MAX814/MAX815 offer a choice of reset threshold voltages. From the Reset Trip Threshold table, select the suffix corresponding to the desired threshold and insert it into the blank to complete the part number.

Devices are available in both leaded and lead-free packaging. Specify lead free by adding the + symbol at the end of the part number when ordering.

Ordering Information continued at end of data sheet.

Reset Trip Thresholds table appears at end of data sheet.

## Pin Configurations



For pricing, delivery, and ordering information, please contact Maxim/Dallas Direct! at 1-888-629-4642, or visit Maxim's website at [www.maxim-ic.com](http://www.maxim-ic.com).

# ±1% Accuracy, Low-Power, +3V and +5V µP Supervisory Circuits

## ABSOLUTE MAXIMUM RATINGS

Terminal Voltage (with respect GND)	Operating Temperature Ranges
VCC .....-0.3V to +6.0V	Commercial .....0°C to +70°C
All Other Pins (Note 1) .....-0.3V to (VCC + 0.3V)	Extended .....-40°C to +85°C
Terminal Current (PFI, RESET IN, MR) .....10mA	Storage Temperature Range .....-65°C to +125°C
Terminal Current (all other pins) .....20mA	
Continuous Power Dissipation (TA = +25°C)	
Plastic DIP (derate 9.09mW/°C above +70°C) .....727mW	
SO (derate 5.88mW/°C above +70°C) .....471mW	

Stresses beyond those listed under "Absolute Maximum Ratings" may cause permanent damage to the device. These are stress ratings only, and functional operation of the device at these or any other conditions beyond those indicated in the operational sections of the specifications is not implied. Exposure to absolute maximum rating conditions for extended periods may affect device reliability.

## ELECTRICAL CHARACTERISTICS, +5V Parts (MAX814/MAX815K, L, N)

(VCC = 4.85V to 5.5V for MAX814K/MAX815K, VCC = 4.75V to 5.5V for MAX814L/MAX815L, VCC = 4.60V to 5.5V for MAX814N/MAX815N, TA = TMIN to TMAX, unless otherwise noted.)

PARAMETER	SYMBOL	CONDITIONS	MIN	TYP	MAX	UNITS
Operating Voltage Range	VCC	MAX814_C, MAX815_C	1.0		5.5	V
		MAX814_E, MAX815_E	1.2		5.5	
Supply Current	ISUPPLY	MAX814_C, MAX815_C			75	µA
		MAX814_E, MAX815_E			85	
Reset Threshold	VRT	MAX814K, MAX815K	4.75		4.85	V
		MAX814L, MAX815L	4.65		4.75	
		MAX814N, MAX815N	4.50		4.60	
Reset Threshold Hysteresis			0			mV
Reset Pulse Width	tRS		140	200	250	ms
RESET Output Voltage	VOH	MAX814	ISOURCE = 800µA	VCC -1.5		V
	VOL			ISINK = 3.2mA	0.4	
RESET, WDO, PFO, LOW LINE Output Voltage	VOH	ISOURCE = 800µA		VCC -1.5		V
	VOL	ISINK = 3.2mA		0.4		
		MAX814_C/MAX815_C, VCC = 1.0V, ISINK = 50µA			0.3	
		MAX814_E/MAX815_E, VCC = 1.2V, ISINK = 100µA			0.3	
Watchdog Timeout Period	tWD	MAX815	1.12		2.00	s
WDI Pulse Width	tWP	MAX815	50			ns
WDI Input Threshold	VWDI	MAX815, VCC = 5.0V	Low	0.8		V
			High	2.4		
WDI Input Current	IWDI	WDI = VCC or WDI = 0V	-1.0		1.0	µA
MR to WDO High Delay	tWDO	MAX815 (Note 1)		1		µs
LOW LINE to RESET Differential Threshold	ΔVLL	MAX814_C, VCC falling	50		70	mV
		MAX814_E, VCC falling	48		73	
LOW LINE Threshold	VLLT	MAX814K, VCC rising			4.93	V
		MAX814L, VCC rising			4.83	
		MAX814N, VCC rising			4.68	

# **±1% Accuracy, Low-Power, +3V and +5V μP Supervisory Circuits**

**MAX814/MAX815/MAX816**

## **ELECTRICAL CHARACTERISTICS, +5V Parts (MAX814/MAX815K, L, N) (continued)**

(V<sub>CC</sub> = 4.85V to 5.5V for MAX814K/MAX815K, V<sub>CC</sub> = 4.75V to 5.5V for MAX814L/MAX815L, V<sub>CC</sub> = 4.60V to 5.5V for MAX814N/MAX815N, T<sub>A</sub> = T<sub>MIN</sub> to T<sub>MAX</sub>, unless otherwise noted.)

PARAMETER	SYMBOL	CONDITIONS	MIN	TYP	MAX	UNITS
$\overline{\text{MR}}$ Pull-Up Current	I <sub>MR</sub>	$\overline{\text{MR}} = 0\text{V}$	70		240	μA
$\overline{\text{MR}}$ Pulse Width	t <sub>MR</sub>		150			ns
$\overline{\text{MR}}$ Input Threshold	V <sub><math>\overline{\text{MR}}</math>LO</sub>	Low			1.1	V
	V <sub><math>\overline{\text{MR}}</math>HI</sub>	High	0.7 × V <sub>CC</sub>			
$\overline{\text{MR}}$ to $\overline{\text{RESET}}$ Out Delay	t <sub>MD</sub>	(Note 3)			250	ns
PFI Input Threshold	V <sub>PFI</sub>	V <sub>CC</sub> = 5.0V	2.45	2.50	2.55	V
PFI Input Current	I <sub>PFI</sub>		-15.00	+6.0	+35.00	nA
$\overline{\text{LOW LINE}}$ , $\overline{\text{PFO}}$ , $\overline{\text{WDO}}$ Assertion Delay		(Note 2)		200		μs

## **ELECTRICAL CHARACTERISTICS, +3V Parts (MAX814/MAX815T, MAX816)**

(V<sub>CC</sub> = 3.06V to 5.5V for MAX814T/MAX815T and MAX816, T<sub>A</sub> = T<sub>MIN</sub> to T<sub>MAX</sub>, unless otherwise noted.)

PARAMETER	SYMBOL	CONDITIONS		MIN	TYP	MAX	UNITS
Operating Voltage Range	V <sub>CC</sub>	0°C to +70°C		1.0		5.5	V
		-40°C to +85°C		1.2		5.5	
Supply Current	I <sub>SUPPLY</sub>	0°C to +70°C				75	μA
		-40°C to +85°C				85	
Reset Threshold	V <sub>RT</sub>	0°C to +70°C		3.00		3.06	V
		-40°C to +85°C		3.00		3.08	
RESET IN Threshold	V <sub>RIT</sub>	MAX816C		1.683	1.700	1.717	V
		MAX816E		1.678	1.700	1.722	
RESET IN Input Current	I <sub>RT</sub>	MAX816		-15	+6	+35	nA
Reset Threshold Hysteresis					0		mV
Reset Pulse Width	t <sub>RS</sub>			140	200	250	ms
RESET Output Voltage	V <sub>OH</sub>	V <sub>RT</sub> (max) < V <sub>CC</sub> < 3.6V; MAX814T, MAX816	I <sub>SOURCE</sub> = 500μA	0.8 × V <sub>CC</sub>			V
	V <sub>OL</sub>		I <sub>SINK</sub> = 1.2mA		0.3		
	V <sub>OH</sub>	4.5V < V <sub>CC</sub> < 5.5V; MAX814T, MAX816	I <sub>SOURCE</sub> = 800μA	V <sub>CC</sub> - 1.5			
	V <sub>OL</sub>		I <sub>SINK</sub> = 3.2mA		0.4		
$\overline{\text{RESET}}$ , $\overline{\text{WDO}}$ , $\overline{\text{PFO}}$ , $\overline{\text{LOW LINE}}$ Output Voltage	V <sub>OH</sub>	V <sub>RT</sub> (max) < V <sub>CC</sub> < 3.6V	I <sub>SOURCE</sub> = 500μA	0.8 × V <sub>CC</sub>			V
	V <sub>OL</sub>		I <sub>SINK</sub> = 1.2mA		0.3		
	V <sub>OH</sub>	4.5V < V <sub>CC</sub> < 5.5V	I <sub>SOURCE</sub> = 800μA	V <sub>CC</sub> - 1.5			
	V <sub>OL</sub>		I <sub>SINK</sub> = 3.2mA		0.4		
	V <sub>OL</sub>	T <sub>A</sub> = 0°C to +70°C, V <sub>CC</sub> = 1.0V, I <sub>SINK</sub> = 50μA				0.3	
	V <sub>OL</sub>		T <sub>A</sub> = -40°C to +85°C, V <sub>CC</sub> = 1.2V, I <sub>SINK</sub> = 100μA				
Watchdog Timeout Period	t <sub>WD</sub>	MAX815T		1.12		2.00	s

# ±1% Accuracy, Low-Power, +3V and +5V µP Supervisory Circuits

## ELECTRICAL CHARACTERISTICS, +3V Parts (MAX814/MAX815T, MAX816) (continued)

(V<sub>CC</sub> = 3.06V to 5.5V for MAX814T/MAX815T and MAX816, T<sub>A</sub> = T<sub>MIN</sub> to T<sub>MAX</sub>, unless otherwise noted.)

PARAMETER	SYMBOL	CONDITIONS		MIN	TYP	MAX	UNITS
WDT Pulse Width	t <sub>WP</sub>	MAX815T	V <sub>RT(max)</sub> < V <sub>CC</sub> < 3.6V	100			ns
			4.5V < V <sub>CC</sub> < 5.5V	50			
WDT Input Threshold	V <sub>WDI</sub>	V <sub>RT(max)</sub> < V <sub>CC</sub> < 3.6V; MAX815T	Low			0.8	V
			High	0.7 × V <sub>CC</sub>			
		V <sub>CC</sub> = 5.0V; MAX815T	Low			0.8	
			High	2.4			
WDT Input Current	I <sub>WDI</sub>	WDTI = V <sub>CC</sub> or 0V, MAX815T		-1.0		+1.0	µA
MR to WDO High Delay	t <sub>WDO</sub>	MAX815T (Note 1)			1		µs
LOW LINE to RESET Differential Threshold	ΔV <sub>LL</sub>	V <sub>CC</sub> falling, MAX814TC		50		70	mV
		V <sub>CC</sub> falling, MAX814TE		48		73	
LOW LINE Threshold	V <sub>LLT</sub>	V <sub>CC</sub> rising				3.163	V
MR Pullup Current	I <sub>MR</sub>	MR = 0V	V <sub>RT(max)</sub> < V <sub>CC</sub> < 3.6V	70		240	µA
			4.5V < V <sub>CC</sub> < 5.5V	110		370	
MR Pulse Width	t <sub>MR</sub>	V <sub>RT(max)</sub> < V <sub>CC</sub> < 3.6V		500			ns
		4.5V < V <sub>CC</sub> < 5.5V		150			
MR Input Threshold	V <sub>MRLO</sub>	Low				1.1	V
	V <sub>MRHI</sub>	High		0.7 × V <sub>CC</sub>			
MR to RESET Out Delay (Note 3)	t <sub>MD</sub>	V <sub>RT(max)</sub> < V <sub>CC</sub> < 3.6V				750	ns
		4.5V < V <sub>CC</sub> < 5.5V				250	
PFI Input Threshold	V <sub>PFI</sub>	V <sub>CC</sub> = 3.3V, 5V		1.666	1.700	1.734	V
PFI Input Current	I <sub>PFI</sub>			-15.00	+6.0	+35.00	nA

**Note 1:** Applies if WDO is externally connected to MR or if MR is externally driven.

**Note 2:** On power-up, delay from reset trip threshold crossing to valid outputs.

**Note 3:** Applies to both RESET and RESET.

# ±1% Accuracy, Low-Power, +3V and +5V $\mu$ P Supervisory Circuits

## Typical Operating Characteristics

( $T_A = +25^\circ\text{C}$ , unless otherwise noted.)

MAX814/MAX815/MAX816

**V<sub>CC</sub> SUPPLY CURRENT vs. TEMPERATURE  
3V PARTS (MAX814T/MAX815T, MAX816)**



**V<sub>CC</sub> SUPPLY CURRENT vs. TEMPERATURE  
5V PARTS (MAX814/MAX815K, L, N)**



**RESET TIMEOUT PERIOD vs. TEMPERATURE**



**RESET-COMPARATOR PROPAGATION DELAY vs. TEMPERATURE**



**PFI THRESHOLD vs. TEMPERATURE  
3V PARTS (MAX814T/MAX815T, MAX816)**



**PFI THRESHOLD vs. TEMPERATURE  
5V PARTS (MAX814/MAX815K, L, N)**



**LOW-LINE TO RESET THRESHOLD vs. TEMPERATURE (V<sub>CC</sub> RISING)**



**LOW-LINE TO RESET THRESHOLD vs. TEMPERATURE (V<sub>CC</sub> FALLING)**



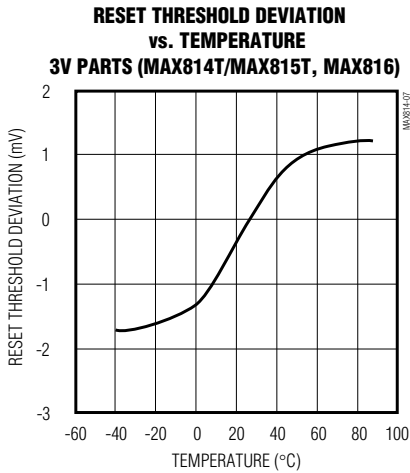
**LOW-LINE COMPARATOR PROPAGATION DELAY vs. TEMPERATURE**



# ±1% Accuracy, Low-Power, +3V and +5V $\mu$ P Supervisory Circuits

## Typical Operating Characteristics (continued)

( $T_A = +25^\circ\text{C}$ , unless otherwise noted.)



# ±1% Accuracy, Low-Power, +3V and +5V μP Supervisory Circuits

## Pin Description

MAX814/MAX815/MAX816

PIN			NAME	FUNCTION
MAX814	MAX815	MAX816		
1	1	1	$\overline{\text{MR}}$	Manual-Reset Input. Triggers a reset when pulled below 1.10V. This active-low input has an internal 150μA pullup current to V <sub>CC</sub> , and can be driven with CMOS logic or shorted to GND with a switch or transistor.
2	2	—	V <sub>CC</sub>	Positive Power-Supply Input. When V <sub>CC</sub> is below the reset threshold voltage*, $\overline{\text{RESET}}$ is low, and remains low for a minimum of 140ms after it rises above the threshold.
—	—	2		Positive Power-Supply Input. On the MAX816, $\overline{\text{RESET}}$ is controlled by RESET IN, not V <sub>CC</sub> .
3	3	3	GND	Ground
4	4	4	PFI	Power-Fail Input. The PFI threshold voltage is 1.70V on the MAX816 and on MAX814/MAX815 parts with the T suffix. It is 2.50V on MAX814/MAX815 parts with K, L, and N suffixes. Connect PFI to GND or V <sub>CC</sub> when not used.
5	5	5	$\overline{\text{PFO}}$	Power-Fail Output. When PFI is below its threshold, $\overline{\text{PFO}}$ is low; otherwise it is high.
—	6	—	WDI	Watchdog CMOS Input. If WDI remains high or low for more than 1.56s, the watchdog timer times out, and $\overline{\text{WDO}}$ goes low. The timer is reset to zero on each WDI transition.
6	—	—	$\overline{\text{LOW LINE}}$	Low-Line Output. Normally high, $\overline{\text{LOW LINE}}$ goes low when V <sub>CC</sub> falls 60mV above the reset threshold. It returns high as soon as V <sub>CC</sub> rises above the low-line threshold.
—	—	6	RESET IN	Reset Comparator Input. Reference is 1.70V. When RESET IN is below 1.70V, $\overline{\text{RESET}}$ is low, and remains low for a minimum of 140ms after it rises above the reference.
7	7	7	$\overline{\text{RESET}}$	Reset Output. Normally high, active low. Controlled by $\overline{\text{MR}}$ and reset comparator.
—	8	—	$\overline{\text{WDO}}$	Watchdog Output. Normally high, $\overline{\text{WDO}}$ goes low whenever the V <sub>CC</sub> reset threshold comparator input voltage is low or when the watchdog timer times out. There is no appreciable delay going either direction when the V <sub>CC</sub> threshold comparator toggles.
8	—	8	RESET	Reset Output. Active high. The inverse of $\overline{\text{RESET}}$ .

\*Reset Threshold Voltage is determined by part number suffix: K = 4.80V, L = 4.70V, N = 4.55V, T = 3.03V.

## Detailed Description

The MAX814/MAX815/MAX816 are high-accuracy, low-power microprocessor (μP) supervisory circuits. They have μP-reset, watchdog-timer, and power-fail functions. Typical applications illustrating their similarities and differences are shown in Figures 1, 2, and 3. Figures 4, 5, and 6 show the block diagrams of these parts.

# **$\pm 1\%$ Accuracy, Low-Power, +3V and +5V $\mu$ P Supervisory Circuits**



Figure 1a. Typical Application for Dual +3.3V and +5V Systems



Figure 1b. MAX814 Typical Application



Figure 2. MAX815 Typical Application



Figure 3. MAX816 Typical Application



# ±1% Accuracy, Low-Power, +3V and +5V $\mu$ P Supervisory Circuits

MAX814/MAX815/MAX816

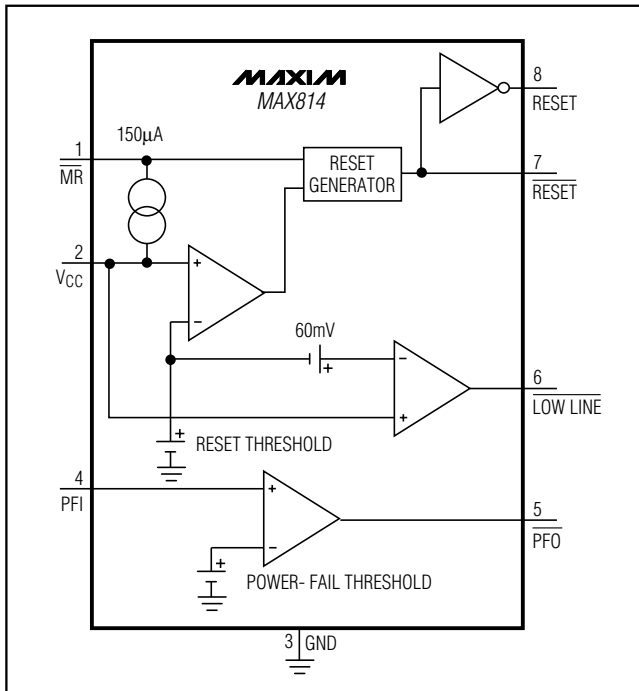


Figure 4. MAX814 Block Diagram

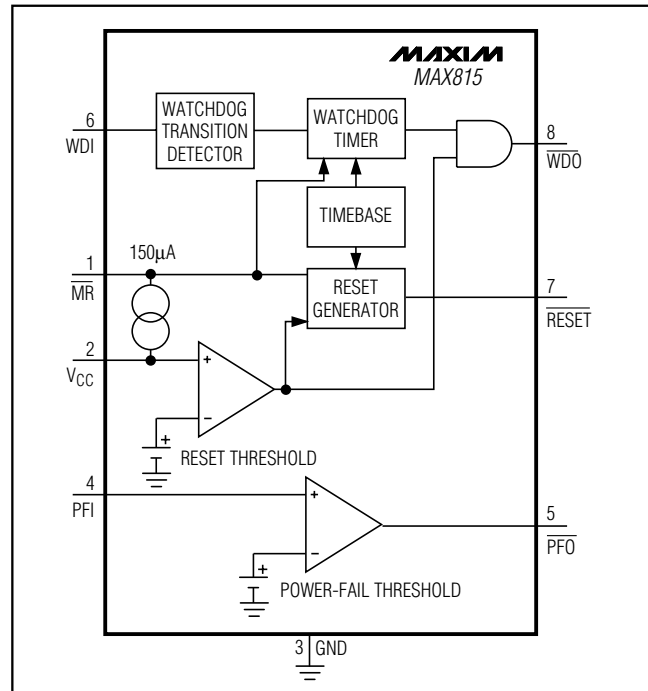


Figure 5. MAX815 Block Diagram

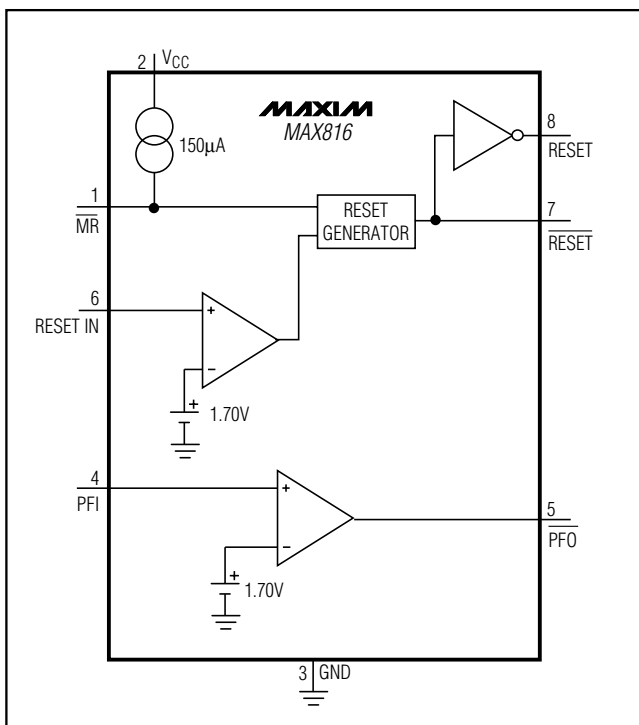


Figure 6. MAX816 Block Diagram

## Reset Output

A  $\mu$ P's reset input starts the  $\mu$ P in a known state. Whenever the  $\mu$ P is in an unknown state, it should be held in reset. The MAX814/MAX815/MAX816 assert reset during power-up, power-down, or brownout conditions.

On power-up, once V<sub>CC</sub> reaches 1V,  $\overline{\text{RESET}}$  is a guaranteed logic low of 0.4V or less. As V<sub>CC</sub> rises,  $\overline{\text{RESET}}$  stays low. As V<sub>CC</sub> rises above the reset threshold, an internal timer releases  $\overline{\text{RESET}}$  after 200ms.  $\overline{\text{RESET}}$  also pulses low whenever V<sub>CC</sub> dips below the reset threshold (i.e., brownout condition). If brownout occurs in the middle of a previously initiated reset, the internal timer is reset and the output remains low for at least another 140ms after the brownout ends. On power-down, once V<sub>CC</sub> falls below the reset threshold,  $\overline{\text{RESET}}$  stays low and is guaranteed to be less than 0.3V until V<sub>CC</sub> drops below 1V.

The MAX814 and MAX816 also offer active-high RESET outputs. They are the inverse of the  $\overline{\text{RESET}}$  outputs.

# ±1% Accuracy, Low-Power, +3V and +5V $\mu$ P Supervisory Circuits

## Reset Threshold

The MAX814/MAX815 have fixed, factory-set reset thresholds, signified by the first suffix letter in the part number (see Figure 7 for more information on reset ranges). The MAX816 has an adjustable reset threshold.

MAX814/MAX815 K-suffix parts have a minimum reset threshold set to 4.75V, worst case. They are intended for 5.0V systems with a  $\pm 4\%$  or better power-supply tolerance design that must meet worst-case system parameters over time, temperature, line, and load variations. Typically, the reset threshold ( $V_{RT}$ ) is greater than or equal to the minimum IC operating voltage ( $V_{IC(MIN)}$ ). The "K" series 1%-tolerance reset threshold allows a larger range of power-supply tolerance. System ICs

that have a tight operating supply range, like the 386/486  $\mu$ Ps, need a RESET initiated at a minimum threshold of 4.75V, worst case.

L-suffix parts have a minimum reset threshold set to 4.65V, worst case. They are intended for 5.0V systems with a  $\pm 5\%$  power-supply tolerance. Typically, the reset threshold is less than or equal to the minimum power-supply voltage, allowing system operation over the complete power-supply range. A reset is initiated at 4.75V maximum. The 1% "L" version maximizes the System IC Guard-Band Range.

N-suffix parts have a minimum reset threshold set to 4.50V, worst case. They are intended for 5.0V systems with a  $\pm 10\%$  IC system. Typically, the reset threshold

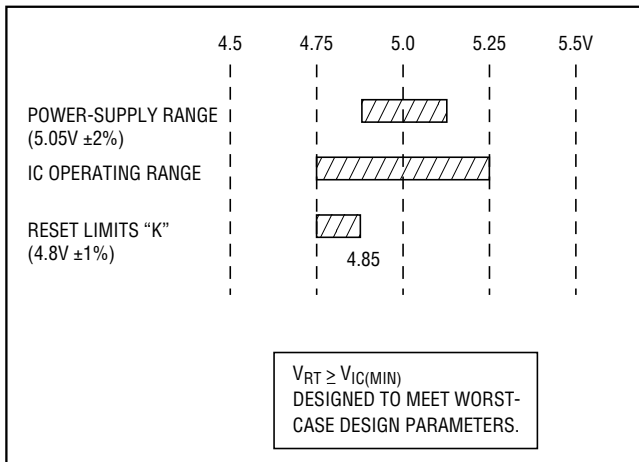


Figure 7a. K Suffix Design Range

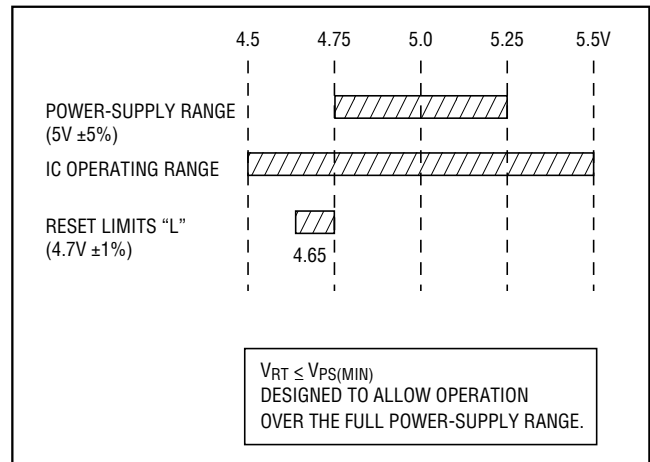


Figure 7b. L Suffix Design Range

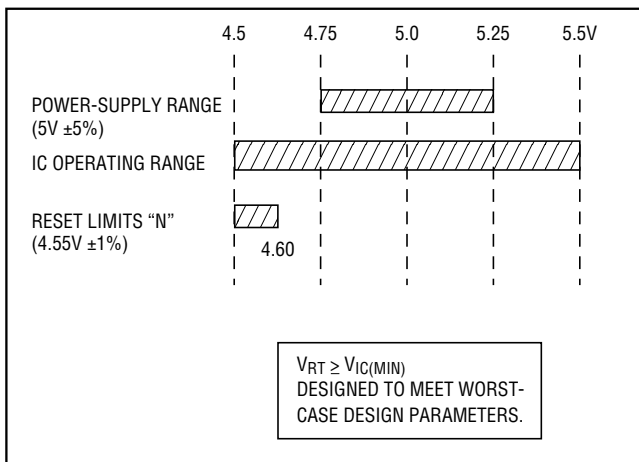


Figure 7c. N Suffix Design Range

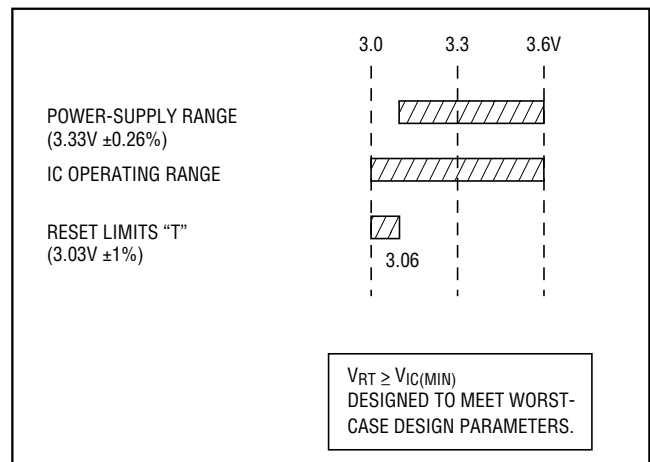


Figure 7d. T Suffix Design Range

# ±1% Accuracy, Low-Power, +3V and +5V $\mu$ P Supervisory Circuits

( $V_{RT}$ ) is greater than or equal to the minimum IC operating voltages ( $V_{ICMIN}$ ). The 1% “L” series allows the use of a 5V  $\pm$ 5% power supply, and guarantees system operation over worst-case conditions, maximizing the Power-Supply Guard-Band Range.

T-suffix parts have a minimum reset threshold set to 3.00V, worst case. They are intended for 3.3V systems (3.33V  $\pm$ 0.26V) with a 7.8% or better power-supply tolerance. Typically, the reset threshold ( $V_{RT}$ ) is greater than or equal to the minimum IC operating voltages ( $V_{ICMIN}$ ).

The MAX816 has an adjustable reset threshold, set with an external resistive divider (Figure 3). The voltage on the RESET IN pin is monitored, not the voltage on VCC. The RESET IN threshold is 1.700V, and has very high impedance and 35nA maximum leakage. Calculate the trip point,  $V_{RT}$ , as follows:

$$V_{RT} = \frac{V_{RIT} \times (R1 + R2)}{R2}$$

where  $V_{RT}$  = the desired reset threshold,  $V_{RIT}$  is the RESET IN threshold (1.700V), R1 is the resistor connected between  $V_{RT}$  and RESET IN, and R2 is the resistor connected between RESET IN and GND.

Resistors R1 and R2 can have very high values. The usual procedure is to set R2 to some conveniently high value (100k $\Omega$ , for example) and calculate R1 based on the desired reset threshold, using the following formula:

$$R1 = R2 \times \left[ \left( \frac{V_{RT}}{V_{RIT}} \right) - 1 \right]$$

The MAX816 can achieve  $\pm$ 1.2% accuracy with 0.1% resistors.

## Watchdog Timer (MAX815)

The watchdog circuit monitors the  $\mu$ P's activity. If the  $\mu$ P does not toggle the watchdog input (WDI) within the watchdog timeout period ( $t_{WP}$ ),  $\overline{WDO}$  goes low (Figure 8).  $\overline{WDO}$  also goes low during reset conditions. Whenever VCC is below the reset threshold,  $\overline{WDO}$  stays low; however, unlike  $\overline{RESET}$ ,  $\overline{WDO}$  does not have a minimum pulse width. As soon as VCC rises above the reset threshold,  $\overline{WDO}$  goes high with no delay (Figure 9).

Typically,  $\overline{WDO}$  is connected to the non-maskable interrupt (NMI) of a  $\mu$ P. When VCC drops below the reset threshold,  $\overline{WDO}$  goes low whether or not the watchdog timer has timed out (Figure 9). This would normally trigger an NMI interrupt, but  $\overline{RESET}$  goes low simultaneously and thus overrides the NMI interrupt.

Connecting  $\overline{WDO}$  to  $\overline{MR}$  enables the watchdog timeout to generate a reset in the MAX815.

## Early Power-Fail Warning

Critical systems often require early warning to indicate when power is failing. This warning provides time for the  $\mu$ P to store vital data and take care of any additional “housekeeping” before the power supply gets too far out of tolerance for the  $\mu$ P to operate reliably.

## Power-Fail Comparator

The power-fail comparator is intended as an undervoltage detector to signal a failing power supply. However, the comparator does not need to be dedicated to this function, because it is completely separate from the rest of the circuitry. To build an early-warning circuit for power failure, connect the PFI pin to a voltage divider (see Figures 1, 2, and 3). Choose the voltage divider ratio, so the voltage at PFI falls below  $V_{PFI}$  just before the monitored voltage drops out. Use  $\overline{PFO}$  to interrupt the  $\mu$ P, so it can prepare for an orderly power-down.

The power-fail input (PFI) is compared to an internal reference. If the voltage on PFI is less than the power-fail reference,  $\overline{PFO}$  sinks at least 1.2mA to GND; otherwise it sources at least 300 $\mu$ A from VCC. The reference is 2.50V in the MAX814/MAX815 with K, L, N suffixes, or 1.70V with the T suffix. It is also 1.70V in the MAX816.

## LOW LINE Output (MAX814)

The low-line detector is a separate comparator that monitors VCC with a typical threshold voltage of 60mV above the normal reset threshold, with 2mV of hysteresis (Figure 9). If VCC rises faster than 10 $\mu$ s/V, insert a 100pF capacitor from  $\overline{LOW LINE}$  to GND to ensure proper start-up. For normal operation (VCC above the reset threshold),  $\overline{LOW LINE}$  is pulled to VCC. Use  $\overline{LOW LINE}$  to provide an NMI to the  $\mu$ P when power begins to fall. In most battery-operated portable systems, reserve energy in the battery provides ample time to complete the shutdown routine once the low-line warning is encountered, and before reset asserts. If the system must also contend with a more rapid VCC fall time—such as when the main battery is disconnected or a high-side switch is opened during operation—use capacitance on the VCC line to provide time to execute the shutdown routine. First, calculate the worst-case time required for the system to perform its shutdown routine. Then use the worst-case shutdown time ( $t_{SHDN}$ ), worst-case load current ( $I_{LOAD}$ ), and minimum low-line to reset threshold ( $V_{LR}$ ) to calculate the amount of capacitance required to allow the shutdown routine to complete before reset is asserted.

$$C_{HOLD} = \frac{I_{LOAD} \times t_{SHDN}}{V_{LR}}$$

# ±1% Accuracy, Low-Power, +3V and +5V $\mu$ P Supervisory Circuits



Figure 8. MAX815 Watchdog Timing



Figure 9. Timing Diagram

where  $C_{HOLD}$  is the capacitance (in Farads),  $I_{LOAD}$  is the current being drained from the capacitor (in Amperes), and  $V_{LR}$  is the low-line to reset threshold difference (in Volts).

### Manual Reset

Many  $\mu$ P-based products require manual-reset capability, allowing the operator, a test technician, or external logic circuitry to initiate a reset. A logic low on  $\overline{MR}$  asserts reset. Reset remains asserted while  $\overline{MR}$  is low, and for  $t_{RS}$  (200ms) after  $\overline{MR}$  returns high. This input has an internal pullup resistor, so it can be left open if not used.  $\overline{MR}$  can be driven with TTL/CMOS-logic levels or with open-drain/collector outputs.

Connect a normally open momentary switch from  $\overline{MR}$  to GND to create a manual-reset function; external debounce circuitry is not required.

The watchdog circuit can be used to force a reset in the MAX815 by connecting  $\overline{WDO}$  to  $\overline{MR}$ . If  $\overline{MR}$  is driven from long cables, or the device is used in a noisy environment, connect a  $0.1\mu\text{F}$  capacitor to ground to provide additional noise immunity.

## Applications Information

### Low-Voltage Operation

The  $\overline{LOW LINE}$ ,  $\overline{PFO}$ , and  $\overline{WDO}$  outputs will be locked to logic low when the power supply drops below the lock-out threshold (typically 1V below the reset threshold).

### Ensuring a Valid RESET Output Down to $V_{CC} = 0V$

When  $V_{CC}$  falls below 1V, the  $\overline{RESET}$  output no longer sinks current, but becomes an open circuit. High-impedance CMOS-logic inputs can drift to undetermined voltages if left undriven. If a pull-down resistor is added to the  $\overline{RESET}$  pin as shown in Figure 10, any stray charge or leakage currents will be drained to ground, holding  $\overline{RESET}$  low. Resistor value  $R1$  is not critical. It should be about  $100k\Omega$ —large enough not to load  $\overline{RESET}$ , and small enough to pull  $\overline{RESET}$  to ground.

# ±1% Accuracy, Low-Power, +3V and +5V $\mu$ P Supervisory Circuits



Figure 10.  $\overline{\text{RESET}}$  Valid to Ground Circuit



Figure 11. Monitoring Both +5V and +12V

### Monitoring Voltages Other than VCC

Monitor voltages other than the VCC by connecting a voltage divider to PFI and adjusting the ratio appropriately. If required, add hysteresis by connecting a resistor (with a value approximately 10-times the sum of the two resistors in the potential divider network) between PFI and  $\overline{\text{PFO}}$ . A capacitor between PFI and GND will reduce the power-fail circuit's sensitivity to high-frequency noise on the line being monitored.  $\overline{\text{RESET}}$  can be asserted on other voltages in addition to the +5V VCC line. Connect  $\overline{\text{PFO}}$  to  $\overline{\text{MR}}$  to initiate a reset when PFI drops below 2.50V (K, L, N suffix) or 1.70V (T suffix or MAX816). Figure 11 shows the MAX814K/L/N/MAX815K/L/N configured to assert  $\overline{\text{RESET}}$  when the +5V supply falls below the reset threshold, or when the +12V supply falls below approximately 11V.

### Monitoring a Negative Voltage

The power-fail comparator can also monitor a negative supply rail (Figure 12). When the negative rail is good (a negative voltage of large magnitude),  $\overline{\text{PFO}}$  is low. When the negative rail is degraded (a negative voltage of lesser magnitude),  $\overline{\text{PFO}}$  is high. By adding the resistors and transistor as shown, a high  $\overline{\text{PFO}}$  triggers reset. As long as  $\overline{\text{PFO}}$  remains high, the MAX814/MAX815/MAX816 will keep reset asserted ( $\overline{\text{RESET}}$  = low, RESET = high). Note that this circuit's accuracy depends on the PFI threshold tolerance, the VCC line, and the resistor.

### Watchdog Software Considerations

A way to help the watchdog timer keep closer tabs on software execution involves setting and resetting the watchdog input at different points in the program, rather than pulsing the watchdog input high-low-high or low-high-low. This technique avoids a stuck loop where the watchdog timer continues to be reset within the loop, keeping the watchdog from timing out. Figure 13 shows an example flow diagram where the I/O driving the watchdog input is set low at the beginning of the program, set high at the beginning of every subroutine, then set low at the end of every subroutine. If the program should hang in any subroutine, the I/O is continually set high and the watchdog timer is allowed to time out, causing a reset to be issued.

# ±1% Accuracy, Low-Power, +3V and +5V $\mu$ P Supervisory Circuits



Figure 12. Monitoring a Negative Voltage



Figure 13. Flow Chart of WDI Implementation



Figure 14. Interfacing to  $\mu$ Ps with Bidirectional Reset I/O

## Negative-Going VCC Transients

In addition to issuing a reset to the  $\mu$ P during power-up, power-down, and brownout conditions, the MAX814/MAX815/MAX816 series is relatively immune to short duration negative-going VCC transients (glitches). The *Typical Operating Characteristics* show a graph of Maximum Transient Duration vs. Reset Comparator Overdrive, for which a reset is not generated. The graph was made using a negative-going pulse applied to VCC, starting 1.5V above the actual reset threshold and ending below it by the magnitude indicated (reset comparator overdrive). The graph indicates the typical maximum pulse width a negative-going VCC transient may have without causing a reset pulse. As the magnitude of the transient increases (goes further below the reset threshold), the maximum allowable pulse width decreases. Typically, a VCC that goes 100mV below the reset threshold and lasts 30 $\mu$ s or less will not cause a reset pulse to be issued.

A 0.1 $\mu$ F bypass capacitor mounted as close as possible to pin 2 (VCC) provides additional transient immunity.

## Interfacing to $\mu$ Ps with Bidirectional Reset Pins

$\mu$ Ps with bidirectional reset pins, such as the Motorola 68HC11 series, can cause a conflict with the  $\overline{\text{RESET}}$  output. If, for example, the  $\overline{\text{RESET}}$  output is driven high and the  $\mu$ P wants to pull it low, indeterminate logic levels may result. To correct this, connect a 4.7k $\Omega$  resistor between the  $\overline{\text{RESET}}$  output and the  $\mu$ P reset I/O, as in Figure 14. Buffer the  $\overline{\text{RESET}}$  output to other system components.

# ±1% Accuracy, Low-Power, +3V and +5V μP Supervisory Circuits

**MAX814/MAX815/MAX816**

## Ordering Information

PART*	TEMP. RANGE	PIN-PACKAGE
<b>MAX814_CPA</b>	0°C to +70°C	8 Plastic DIP
MAX814_CSA	0°C to +70°C	8 SO
MAX814_EPA	-40°C to +85°C	8 Plastic DIP
MAX814_ESA	-40°C to +85°C	8 SO
<b>MAX815_CPA</b>	0°C to +70°C	8 Plastic DIP
MAX815_CSA	0°C to +70°C	8 SO
MAX815_EPA	-40°C to +85°C	8 Plastic DIP
MAX815_ESA	-40°C to +85°C	8 SO
<b>MAX816CPA</b>	0°C to +70°C	8 Plastic DIP
MAX816CSA	0°C to +70°C	8 SO
MAX816EPA	-40°C to +85°C	8 Plastic DIP
MAX816ESA	-40°C to +85°C	8 SO

\*The MAX814/MAX815 offer a choice of reset threshold voltage. From the Reset Trip Threshold table, select the suffix corresponding to the desired threshold and insert it into the blank to complete the part number.

Devices are available in both leaded and lead-free packaging. Specify lead free by adding the + symbol at the end of the part number when ordering.

## Reset Trip Thresholds

MAX814/MAX815		
SUFFIX	RESET TRIP THRESHOLD	
	MIN (V)	MAX (V)
K	4.75	4.85
L	4.65	4.75
N	4.50	4.60
T	3.00	3.06
MAX816		
—	Adjustable	

## Chip Information

TRANSISTOR COUNT: 744

## Revision History

Pages changed at Rev 1: 1-4, 12-16.

# ±1% Accuracy, Low-Power, +3V and +5V µP Supervisory Circuits

## Package Information

(The package drawing(s) in this data sheet may not reflect the most current specifications. For the latest package outline information, go to [www.maxim-ic.com/packages](http://www.maxim-ic.com/packages).)

**Plastic DIP  
PLASTIC  
DUAL-IN-LINE  
PACKAGE  
(0.300 in.)**

DIM	INCHES		MILLIMETERS	
	MIN	MAX	MIN	MAX
A	–	0.200	–	5.08
A1	0.015	–	0.38	–
A2	0.125	0.175	3.18	4.45
A3	0.055	0.080	1.40	2.03
B	0.016	0.022	0.41	0.56
B1	0.045	0.065	1.14	1.65
C	0.008	0.012	0.20	0.30
D1	0.005	0.080	0.13	2.03
E	0.300	0.325	7.62	8.26
E1	0.240	0.310	6.10	7.87
e	0.100	–	2.54	–
eA	0.300	–	7.62	–
eB	–	0.400	–	10.16
L	0.115	0.150	2.92	3.81

PKG.	DIM	PINS	INCHES		MILLIMETERS	
			MIN	MAX	MIN	MAX
P	D	8	0.348	0.390	8.84	9.91
P	D	14	0.735	0.765	18.67	19.43
P	D	16	0.745	0.765	18.92	19.43
P	D	18	0.885	0.915	22.48	23.24
P	D	20	1.015	1.045	25.78	26.54
N	D	24	1.14	1.265	28.96	32.13

21-0043A

**Narrow SO  
SMALL-OUTLINE  
PACKAGE  
(0.150 in.)**

DIM	INCHES		MILLIMETERS	
	MIN	MAX	MIN	MAX
A	0.053	0.069	1.35	1.75
A1	0.004	0.010	0.10	0.25
B	0.014	0.019	0.35	0.49
C	0.007	0.010	0.19	0.25
E	0.150	0.157	3.80	4.00
e	0.050		1.27	
H	0.228	0.244	5.80	6.20
L	0.016	0.050	0.40	1.27

DIM	PINS	INCHES		MILLIMETERS	
		MIN	MAX	MIN	MAX
D	8	0.189	0.197	4.80	5.00
D	14	0.337	0.344	8.55	8.75
D	16	0.386	0.394	9.80	10.00

21-0041A

Maxim cannot assume responsibility for use of any circuitry other than circuitry entirely embodied in a Maxim product. No circuit patent licenses are implied. Maxim reserves the right to change the circuitry and specifications without notice at any time.



Компания «Океан Электроники» предлагает заключение долгосрочных отношений при поставках импортных электронных компонентов на взаимовыгодных условиях!

Наши преимущества:

- Поставка оригинальных импортных электронных компонентов напрямую с производств Америки, Европы и Азии, а так же с крупнейших складов мира;
- Широкая линейка поставок активных и пассивных импортных электронных компонентов (более 30 млн. наименований);
- Поставка сложных, дефицитных, либо снятых с производства позиций;
- Оперативные сроки поставки под заказ (от 5 рабочих дней);
- Экспресс доставка в любую точку России;
- Помощь Конструкторского Отдела и консультации квалифицированных инженеров;
- Техническая поддержка проекта, помощь в подборе аналогов, поставка прототипов;
- Поставка электронных компонентов под контролем ВП;
- Система менеджмента качества сертифицирована по Международному стандарту ISO 9001;
- При необходимости вся продукция военного и аэрокосмического назначения проходит испытания и сертификацию в лаборатории (по согласованию с заказчиком);
- Поставка специализированных компонентов военного и аэрокосмического уровня качества (Xilinx, Altera, Analog Devices, Intersil, Interpoint, Microsemi, Actel, Aeroflex, Peregrine, VPT, Syfer, Eurofarad, Texas Instruments, MS Kennedy, Miteq, Cobham, E2V, MA-COM, Hittite, Mini-Circuits, General Dynamics и др.);

Компания «Океан Электроники» является официальным дистрибьютором и эксклюзивным представителем в России одного из крупнейших производителей разъемов военного и аэрокосмического назначения «JONHON», а так же официальным дистрибьютором и эксклюзивным представителем в России производителя высокотехнологичных и надежных решений для передачи СВЧ сигналов «FORSTAR».



## JONHON

«JONHON» (основан в 1970 г.)

Разъемы специального, военного и аэрокосмического назначения:

(Применяются в военной, авиационной, аэрокосмической, морской, железнодорожной, горно- и нефтедобывающей отраслях промышленности)

«FORSTAR» (основан в 1998 г.)

ВЧ соединители, коаксиальные кабели, кабельные сборки и микроволновые компоненты:

(Применяются в телекоммуникациях гражданского и специального назначения, в средствах связи, РЛС, а так же военной, авиационной и аэрокосмической отраслях промышленности).



Телефон: 8 (812) 309-75-97 (многоканальный)

Факс: 8 (812) 320-03-32

Электронная почта: [ocean@oceanchips.ru](mailto:ocean@oceanchips.ru)

Web: <http://oceanchips.ru/>

Адрес: 198099, г. Санкт-Петербург, ул. Калинина, д. 2, корп. 4, лит. А